



US0D1034191S

(12) **United States Design Patent** (10) **Patent No.: US D1,034,191 S**
Marshall et al. (45) **Date of Patent: ** Jul. 9, 2024**

(54) **CONTAINER CAP**

(71) Applicant: **AbbVie Inc.**, North Chicago, IL (US)

(72) Inventors: **Todd Marshall**, Lindenhurst, IL (US); **Marc Plew**, Gurnee, IL (US); **Ted Klikuszowian**, Arlington Heights, IL (US); **Joy Elizabeth Borgardt**, Evanston, IL (US); **James Hughes**, Libertyville, IL (US); **Kelsey M. Coffey**, Evansville, IN (US); **Scott L. Fisher**, Evansville, IN (US); **Jason A. Rowe**, Santa Claus, IN (US)

(73) Assignee: **AbbVie Inc.**, North Chicago, IL (US)

(**) Term: **15 Years**

(21) Appl. No.: **29/721,842**

(22) Filed: **Jan. 23, 2020**

Related U.S. Application Data

(62) Division of application No. 29/601,290, filed on Apr. 20, 2017, now Pat. No. Des. 876,226.

(51) **LOC (14) Cl.** **09-07**

(52) **U.S. Cl.**

USPC **D9/436**

(58) **Field of Classification Search**

USPC D3/202, 203.1, 203.2; D9/434, 435, 452, D9/453, 454, 499, 516, 529, 686, 436, D9/443, 444, 445, 503, 504, 420, 421, D9/422, 440, 447, 449, 450, 695, 716; D7/317, 387, 391, 392, 392.1, 396.1,
(Continued)

(56) **References Cited**

U.S. PATENT DOCUMENTS

616,304 A 12/1898 Falk
D188,771 S 9/1960 Chaplin
(Continued)

FOREIGN PATENT DOCUMENTS

CA 177645 * 6/2019
CA 184428 * 6/2019

(Continued)

OTHER PUBLICATIONS

Rinvoq, posted date not available [retrieved Jun. 2, 2023]. Retrieved from internet, <https://www.rinvoqhcp.com/rheumatoid-arthritis/dosing-and-moa> (Date: 2023) (Year: 2023).*

(Continued)

Primary Examiner — Darcey E Gottschalk

Assistant Examiner — Haley K Schnebele

(74) *Attorney, Agent, or Firm* — Armstrong Teasdale LLP

(57) **CLAIM**

The ornamental design for a container cap, as substantially shown and described.

DESCRIPTION

FIGS. 1-6 are various views of a container cap with an integrated seal piercing member in accordance with the present design.

FIG. 1 is a perspective view of a container cap.

FIG. 2 is a top view of the container cap shown in FIG. 1.

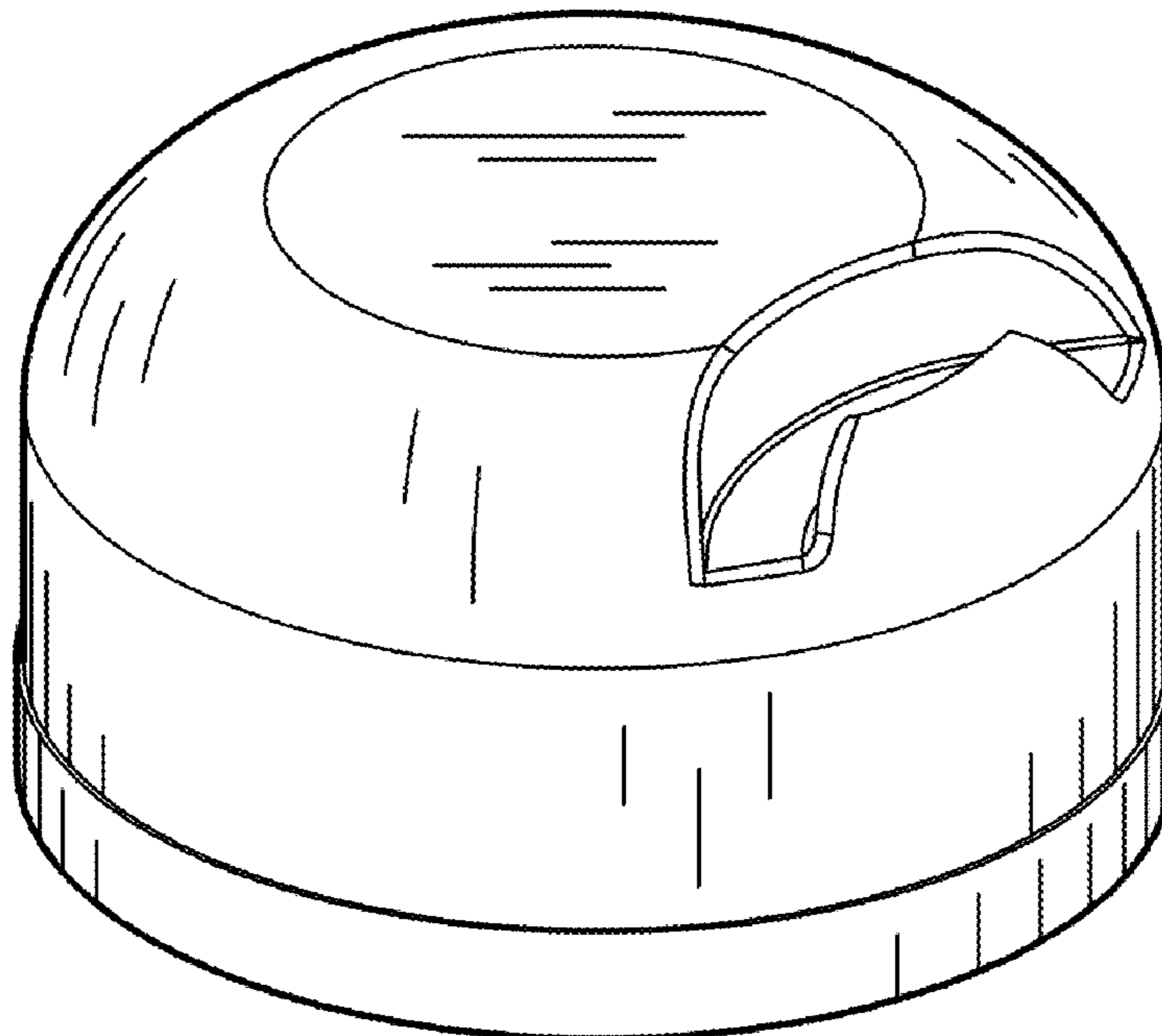
FIG. 3 is a front view of the container cap shown in FIG. 1.

FIG. 4 is a right side view of the container cap shown in FIG. 1.

FIG. 5 is a left side view of the container cap shown in FIG. 1; and,

FIG. 6 is a rear view of the container cap shown in FIG. 1.

1 Claim, 6 Drawing Sheets



(58) **Field of Classification Search**

USPC D7/396.2, 396.3, 507, 510, 511, 538;
 D5/30, 63, 64, 65; D14/489, 490, 492,
 D14/495; D11/95, 99, 100, 116;
 D18/24, 26, 27, 29, 33; D20/10, 11, 12,
 D20/22, 23, 24, 28, 29, 30, 31
 CPC . B65D 1/00; B65D 1/02; B65D 41/00; B65D
 41/38; B65D 41/56; B65D 41/62; B65D
 47/00; B65D 47/06; B65D 47/08; B65D
 2543/00046; B65D 2543/00092; B65D
 2543/00296; B65D 2251/00; B65D 51/12;
 B65D 51/245

See application file for complete search history.

(56) **References Cited**

U.S. PATENT DOCUMENTS

| | | | | |
|-----------|-----|---------|-------------------|--------|
| 3,255,910 | A | 6/1966 | Winston | |
| D210,867 | S | 4/1968 | Kuroda | |
| D261,619 | S | 11/1981 | Borkan | |
| 4,458,820 | A | 7/1984 | Abrams | |
| D281,673 | S * | 12/1985 | Lampe | D9/556 |
| 4,634,013 | A | 1/1987 | Bar-Kokhba | |
| 5,148,937 | A | 9/1992 | Huard | |
| D347,359 | S * | 5/1994 | Robbins, III | D9/504 |
| 5,797,506 | A | 8/1998 | Lehmkuhl et al. | |
| D399,743 | S | 10/1998 | Coon et al. | |
| 6,024,234 | A | 2/2000 | Rink et al. | |
| D435,794 | S | 1/2001 | Schmidt et al. | |
| 6,182,845 | B1 | 2/2001 | Wolfe et al. | |
| D446,103 | S | 8/2001 | Olaneta | |
| D459,174 | S | 6/2002 | De Bergen | |
| D459,963 | S | 7/2002 | Usbeck | |
| D481,948 | S | 11/2003 | Brozell et al. | |
| D501,774 | S | 2/2005 | Bates et al. | |
| D528,419 | S * | 9/2006 | Robinson | D9/454 |
| D572,586 | S * | 7/2008 | Medema | D9/454 |
| D586,213 | S | 2/2009 | Wells et al. | |
| D592,507 | S | 5/2009 | Wachman et al. | |
| D605,011 | S | 12/2009 | Jalet | |
| D607,326 | S | 1/2010 | Branson et al. | |
| D611,346 | S | 3/2010 | Camomile | |
| 7,673,767 | B2 | 3/2010 | Vovan | |
| D621,254 | S | 8/2010 | Camisasca | |
| D651,897 | S | 1/2012 | Miceli et al. | |
| D663,179 | S | 7/2012 | Mauffette | |
| D675,522 | S | 2/2013 | Kawamura | |
| D678,771 | S | 3/2013 | Kawamura | |
| D680,002 | S | 4/2013 | Miceli et al. | |
| D686,513 | S | 7/2013 | Henriksson | |
| D692,762 | S | 11/2013 | Walter et al. | |
| D695,613 | S * | 12/2013 | Miranda De Araujo | D9/449 |
| 8,616,090 | B2 | 12/2013 | Ferraro | |
| D707,556 | S | 6/2014 | Kawamura | |
| D708,521 | S | 7/2014 | Buschmann et al. | |
| D736,036 | S * | 8/2015 | Dash | D7/541 |
| 9,376,240 | B1 | 6/2016 | McMurray et al. | |
| D765,512 | S | 9/2016 | Joulia | |
| D790,966 | S | 7/2017 | Roberts et al. | |
| 9,725,214 | B2 | 8/2017 | Crosby | |
| D799,963 | S | 10/2017 | Akiyama | |
| 9,850,048 | B2 | 12/2017 | Burbank et al. | |
| D820,086 | S * | 6/2018 | Lynd | D9/454 |
| D838,141 | S * | 1/2019 | Bertsch | D9/503 |
| D838,172 | S | 1/2019 | Tartock et al. | |
| D840,811 | S * | 2/2019 | Holmes | D9/443 |
| D845,766 | S | 4/2019 | Tartock et al. | |
| D845,767 | S | 4/2019 | Holmes | |
| D851,488 | S | 6/2019 | Tartock et al. | |
| D856,138 | S * | 8/2019 | Biesecker, II | D9/443 |
| D876,226 | S * | 2/2020 | Marshall | D9/624 |
| D909,877 | S * | 2/2021 | Hwang | D9/504 |
| D918,040 | S * | 5/2021 | Blomberg | D9/504 |
| D922,871 | S * | 6/2021 | Dietvorst | D9/449 |

| | | | | |
|--------------|------|---------|-----------------|------------------------|
| D926,577 | S * | 8/2021 | Woolery | D9/454 |
| D932,306 | S * | 10/2021 | Hwang | D9/520 |
| D957,942 | S * | 7/2022 | Woolery | D9/454 |
| D973,510 | S * | 12/2022 | Riley | D9/726 |
| 11,618,619 | B2 * | 4/2023 | Biesecker, II | B65D 51/245 215/219 |
| 2003/0071042 | A1 | 4/2003 | Adams | |
| 2008/0078686 | A1 | 4/2008 | Vovan | |
| 2011/0126675 | A1 | 6/2011 | Ferraro | |
| 2015/0008152 | A1 | 1/2015 | Xu et al. | |
| 2015/0157535 | A1 | 6/2015 | Frishman et al. | |
| 2016/0025112 | A1 | 1/2016 | Moore | |
| 2016/0065705 | A1 | 3/2016 | Nam | |
| 2016/0251128 | A1 | 9/2016 | Burbank et al. | |
| 2016/0327427 | A1 | 11/2016 | Briones et al. | |
| 2018/0186521 | A1 * | 7/2018 | Hein | B65D 51/20 |
| 2018/0305094 | A1 | 10/2018 | Borgardt et al. | |
| 2019/0144175 | A1 * | 5/2019 | Patton | B65D 50/04 215/252 |
| 2019/0241322 | A1 * | 8/2019 | Blomberg | B65D 50/04 |
| 2020/0031543 | A1 * | 1/2020 | Chin | B65D 85/72 |
| 2020/0156826 | A1 * | 5/2020 | Kilduff | B65D 43/162 |

FOREIGN PATENT DOCUMENTS

| | | | | |
|----|-----------------|----|---------|--|
| CA | 184429 | * | 6/2019 | |
| CA | 184430 | * | 6/2019 | |
| CA | 192655 | * | 11/2021 | |
| CN | 1390176 | A | 1/2003 | |
| CN | 202368914 | U | 8/2012 | |
| CN | 304873600 | * | 4/2017 | |
| EM | 004412724-0001 | * | 11/2017 | |
| EM | 004412724-0002 | * | 11/2017 | |
| EM | 004412724-0003 | * | 11/2017 | |
| EM | 004412724-0004 | * | 11/2017 | |
| GB | 489778 | A | 8/1938 | |
| GB | 9004412724-0001 | * | 10/2017 | |
| GB | 9004412724-0002 | * | 10/2017 | |
| GB | 9004412724-0003 | * | 10/2017 | |
| GB | 9004412724-0004 | * | 10/2017 | |
| HK | 2015482-0001 | * | 7/2020 | |
| IN | 326323-001-0001 | * | 11/2020 | |
| JP | 2002529326 | A | 9/2002 | |
| JP | 2010202273 | A | 9/2010 | |
| JP | D1615427 | * | 10/2018 | |
| KR | 20110073629 | A | 6/2011 | |
| KR | 3009919880004 | * | 4/2017 | |
| KR | 3009919880001 | * | 2/2019 | |
| KR | 3009919880002 | * | 2/2019 | |
| KR | 3009919880003 | * | 2/2019 | |
| WO | 2010101155 | A1 | 9/2010 | |

OTHER PUBLICATIONS

Green Non Dispensing Plastic Dome Bottle Cap, posted date not available [retrieved Jun. 2, 2023]. Retrieved from internet, <https://www.midwestbottles.com/Bottle-Jar-Caps/38mm-Green-Non-Dispensing-Plastic-Dome-Bottle-Cap-w/Plug-Seal/> (Date: 2023) (Year: 2023).*

Clear Glass Jar with White Dome Cap, posted date not available [retrieved Jun. 2, 2023]. Retrieved from internet, <https://voyageursoapandcandleusa.com/products/clear-glass-jar-with-48-400-white-dome-cap> (Date: 2023) (Year: 2023).*

McKesson Rinvoq, posted date not available [retrieved Jun. 2, 2023]. Retrieved from internet, <https://mms.mckesson.com/product/1198059/AbbVie-Inc-00074230630> (Date: 2023) (Year: 2023).*

Smart cap, posted May 2, 2017 [retrieved Jun. 2, 2023]. Retrieved from internet, <https://mashable.com/article/pillsy-smart-medicine-cap-news> (Date: 2017) (Year: 2017).*

White PP Symmetrical Dome Caps, posted date not available [retrieved Jun. 2, 2023]. Retrieved from internet, https://www.alamedapackaging.com/Item/Catalog/Caps/Plastic_Caps/Dispensing_Caps/Push_Pull_Symmetrical_Plastic_Caps/1955/24410_White_Push_Pull_Dome_Dispensing_Symmetrical_Cap_to_2_oz_211.html (Year: 2023).*

* cited by examiner

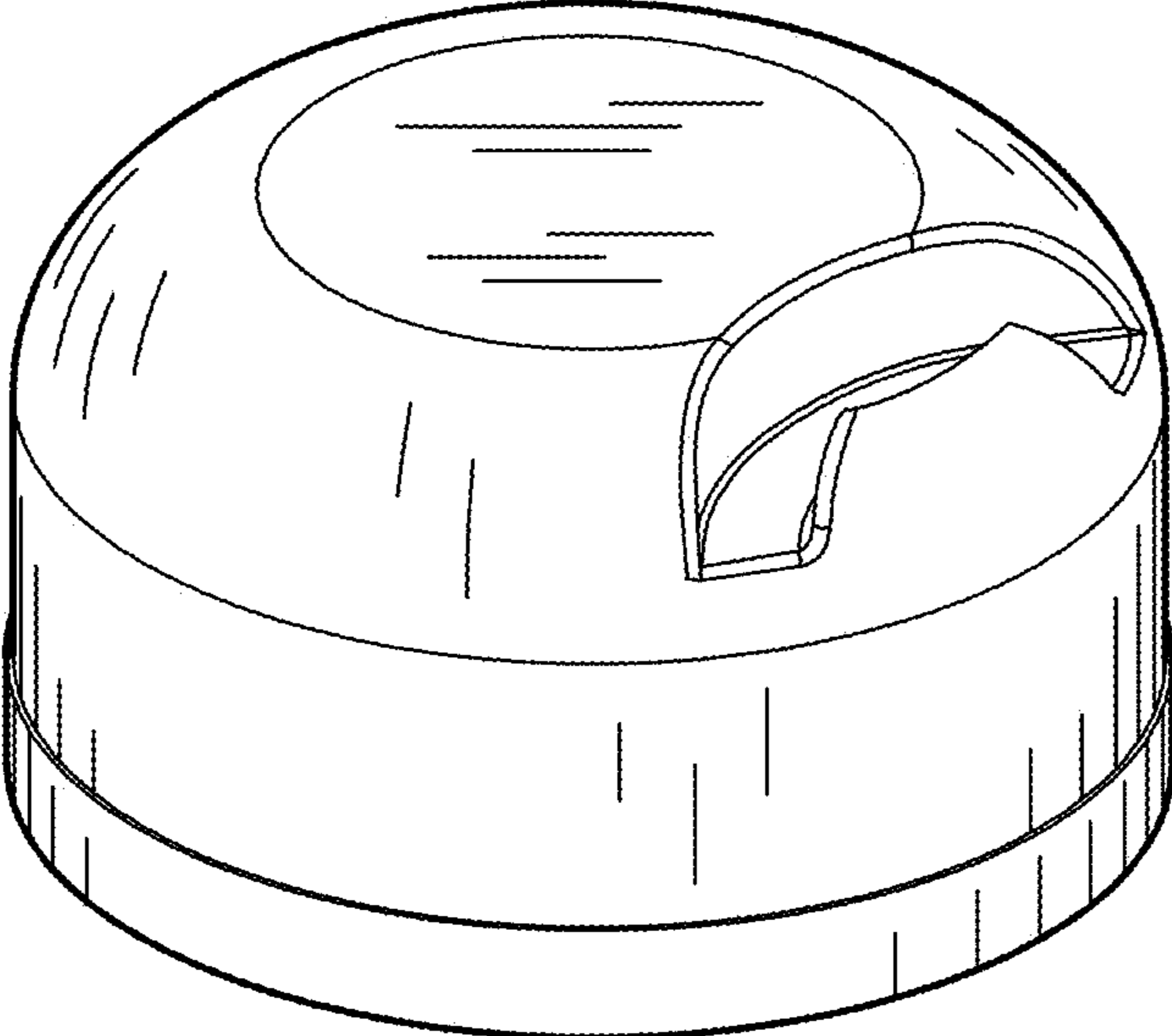


FIG. 1

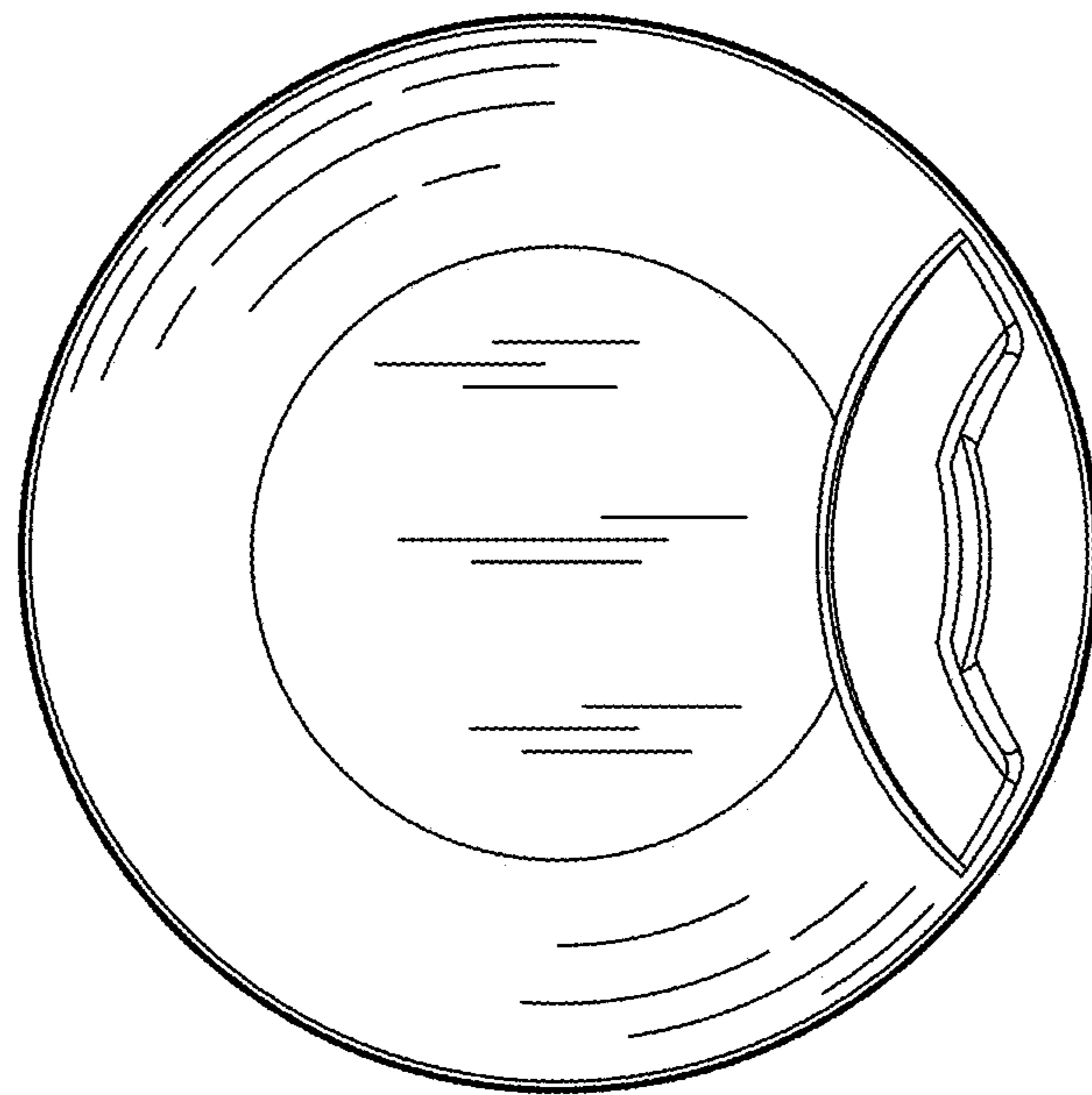


FIG. 2

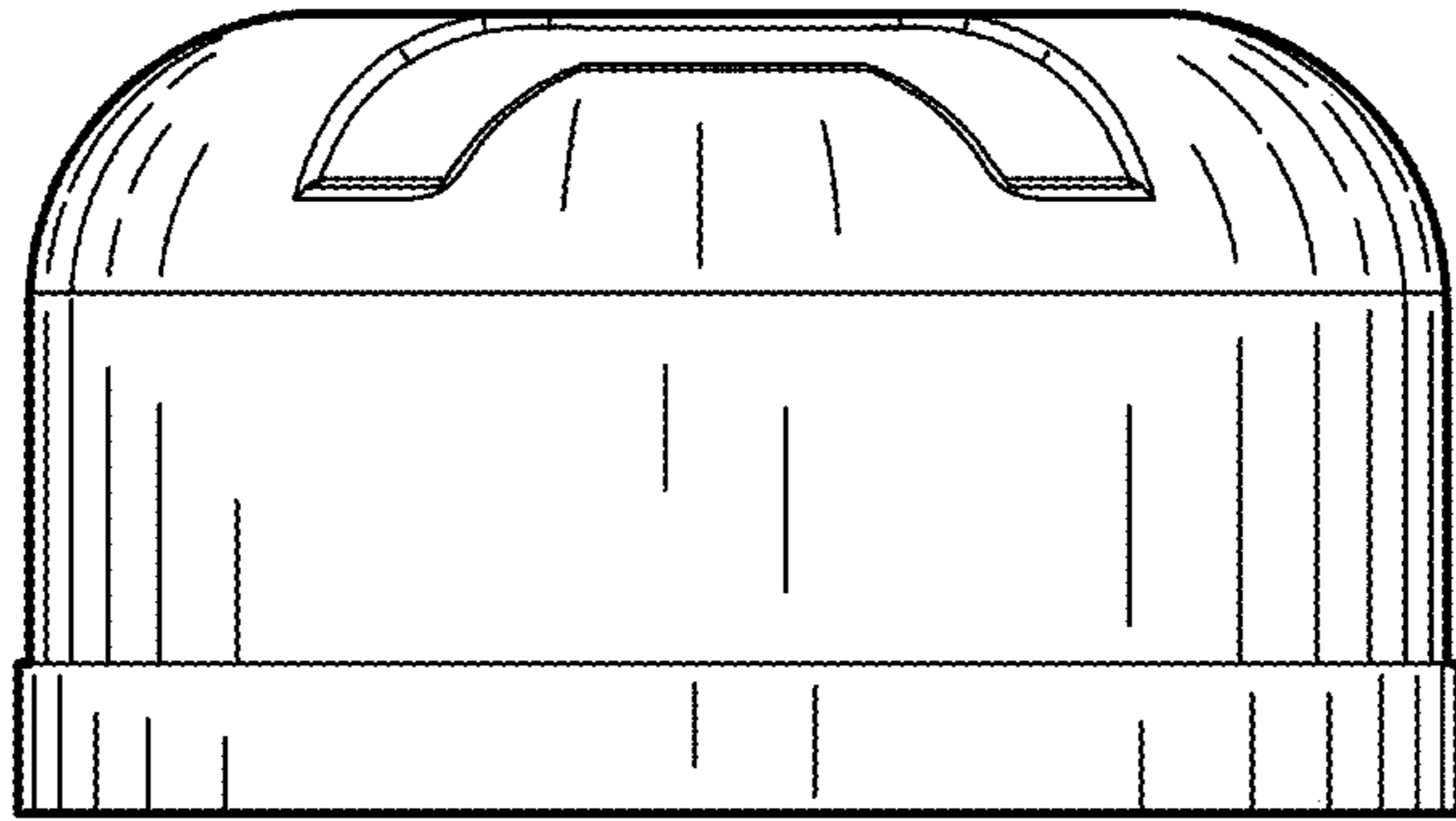


FIG. 3

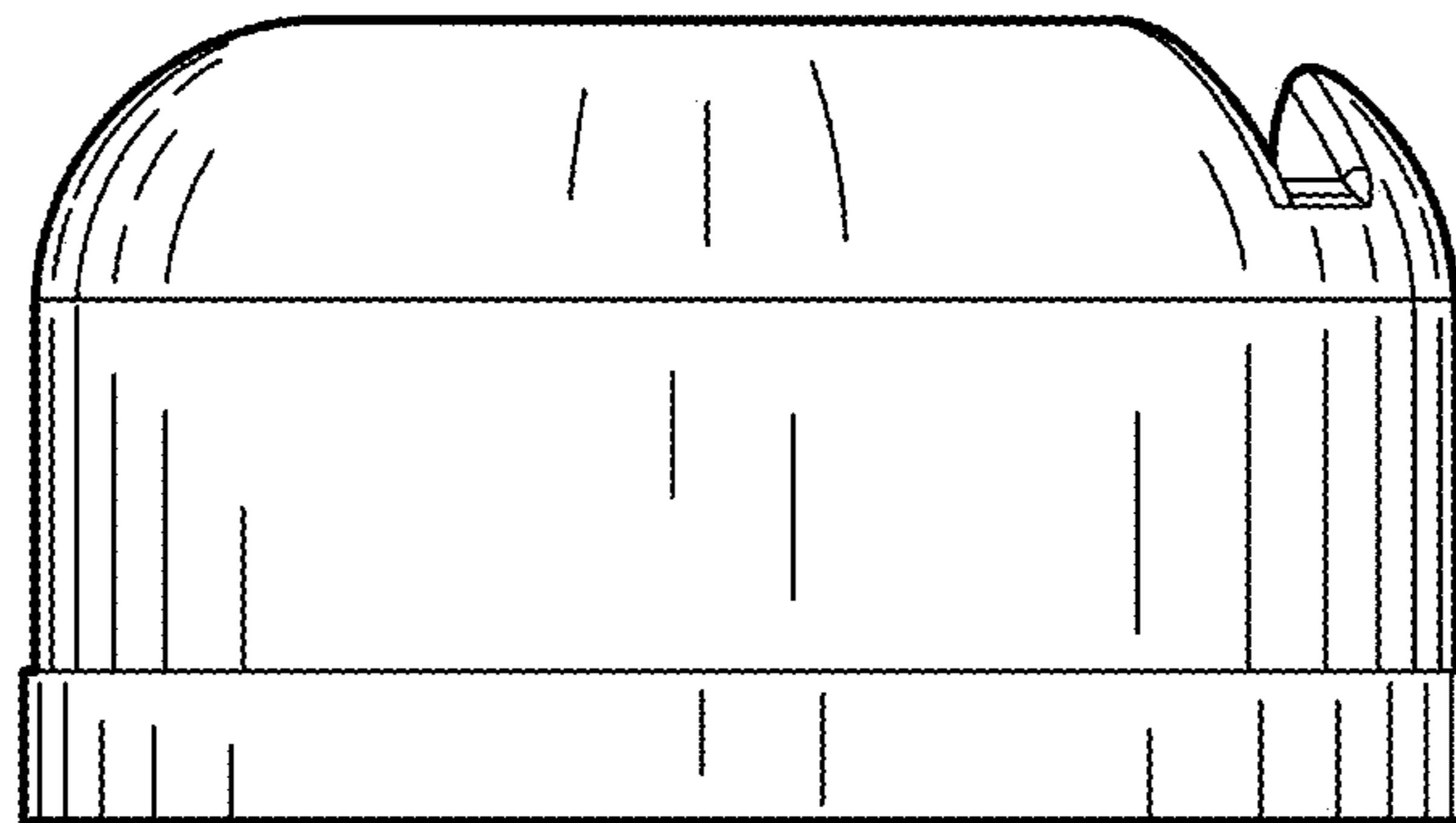


FIG. 4

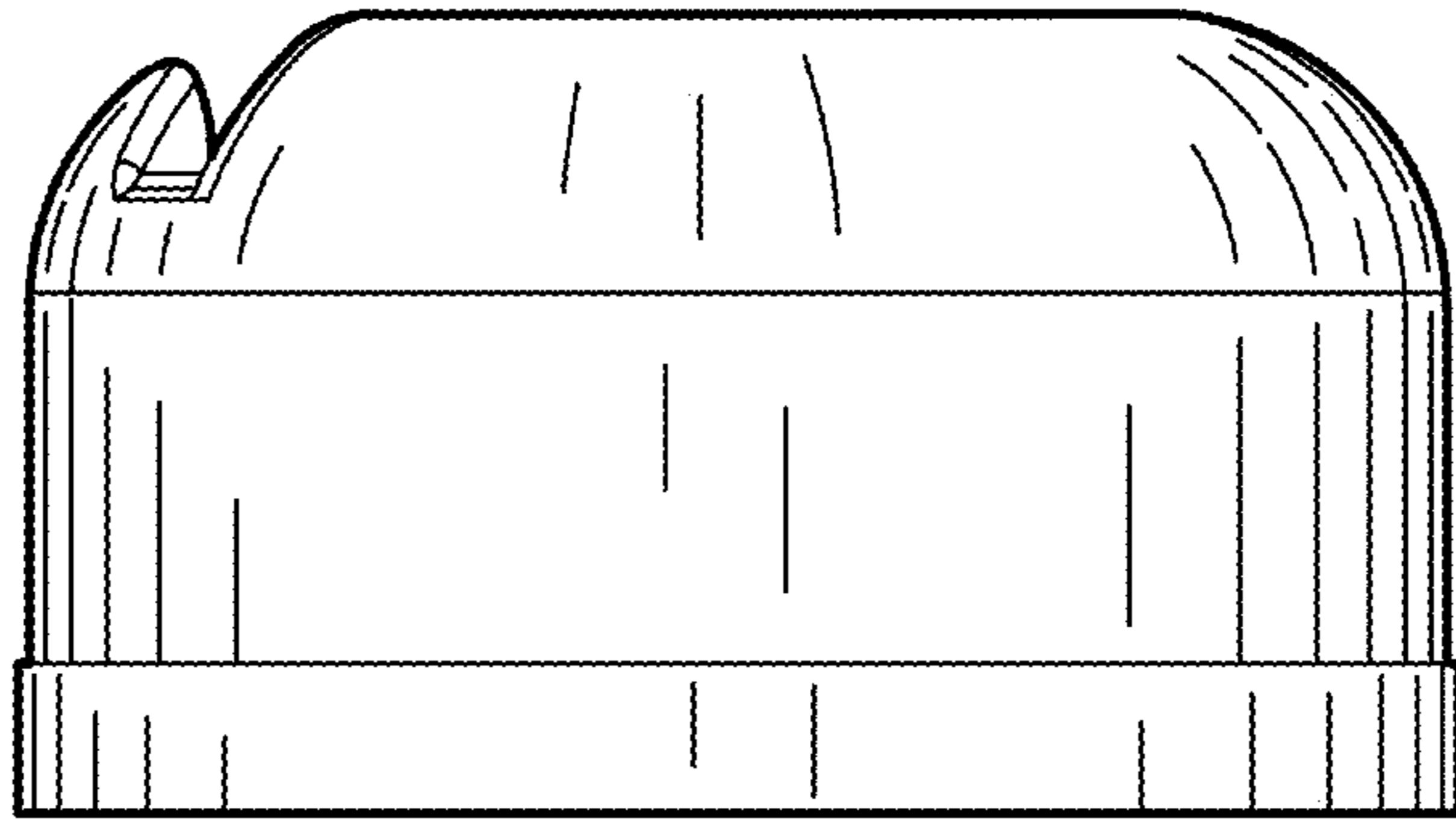


FIG. 5

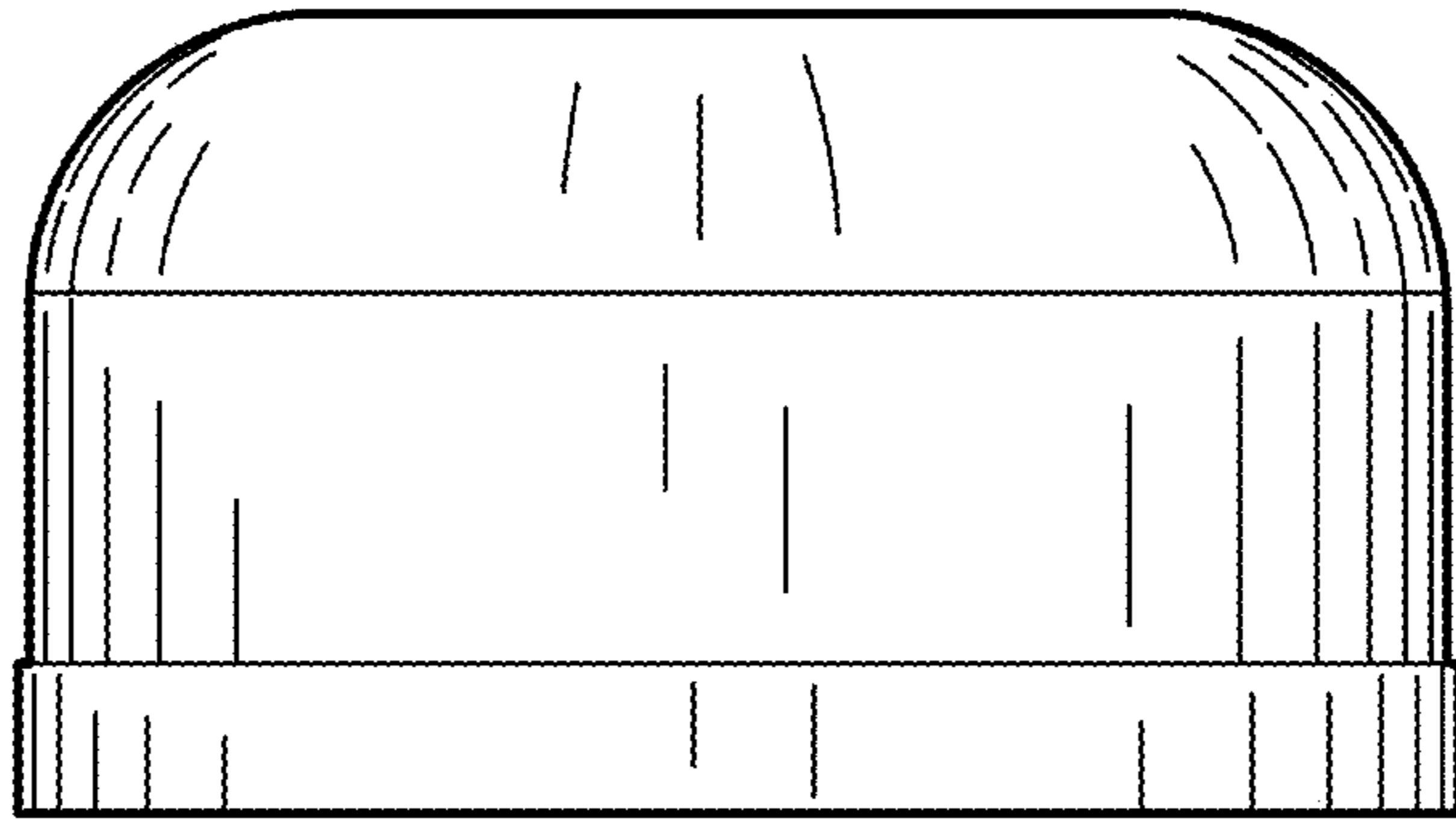


FIG. 6