



US0D1034156S

(12) **United States Design Patent** (10) **Patent No.:** **US D1,034,156 S**  
**Hix et al.** (45) **Date of Patent:** **\*\* Jul. 9, 2024**

(54) **MODEL VEHICLE WORK STAND SUPPORT**

(71) Applicant: **TRAXXAS, L.P.**, McKinney, TX (US)

(72) Inventors: **Caleb Hix**, McKinney, TX (US); **Adam Cole Ewing**, McKinney, TX (US); **Otto Karl Allmendinger**, Rowlett, TX (US); **Kent Poteet**, Lucas, TX (US); **Ross Martin**, Roanoke, TX (US)

(73) Assignee: **TRAXXAS, L.P.**, McKinney, TX (US)

(\*\*) Term: **15 Years**

(21) Appl. No.: **29/886,189**

(22) Filed: **Mar. 6, 2023**

(51) **LOC (14) Cl.** ..... **08-05**

(52) **U.S. Cl.**  
USPC ..... **D8/354; D8/380**

(58) **Field of Classification Search**  
USPC ..... D34/28, 31; D21/483, 533, 548, 561;  
D8/380, 354  
CPC ..... F16M 11/00; F16M 11/28; A63H 30/00;  
A63H 17/00; A63H 17/002; A47F 7/00  
See application file for complete search history.

(56) **References Cited**

**U.S. PATENT DOCUMENTS**

3,216,160	A	*	11/1965	Best	.....	E04F 11/028	52/715
D241,612	S	*	9/1976	Matousek et al.	.....	D8/354	
D242,766	S	*	12/1976	Neece	.....	D8/380	
D257,663	S	*	12/1980	McKee	.....	D8/354	
D257,664	S	*	12/1980	McKee	.....	D8/354	
4,582,500	A	*	4/1986	Hanson	.....	A63H 17/44	446/423
D342,011	S	*	12/1993	Maguire	.....	D8/349	
D489,377	S	*	5/2004	van Kuijk	.....	D14/451	
D513,171	S	*	12/2005	Richardson	.....	D8/394	
D523,803	S	*	6/2006	Smith	.....	D8/394	
D561,189	S	*	2/2008	Wohlford	.....	D14/451	

D579,402	S	*	10/2008	Ball	.....	D12/223	
D654,350	S	*	2/2012	Preda	.....	D8/354	
D667,718	S	*	9/2012	Preda	.....	D8/354	
8,430,710	B2	*	4/2013	Woessner	.....	A63H 17/002	446/95

(Continued)

**OTHER PUBLICATIONS**

Beyee RC Car Repair Station (online), (dated: Feb. 21, 2022)  
Retrieved from Internet (May 3, 2024), URL: <https://www.amazon.co.uk/dp/B09SYXTXLP> (2 pages) (Year: 2022).\*

(Continued)

*Primary Examiner* — Kimberly Barnes  
*Assistant Examiner* — Sarah A Nguyen  
(74) *Attorney, Agent, or Firm* — Daryl R. Wright; Greg Carr

(57) **CLAIM**

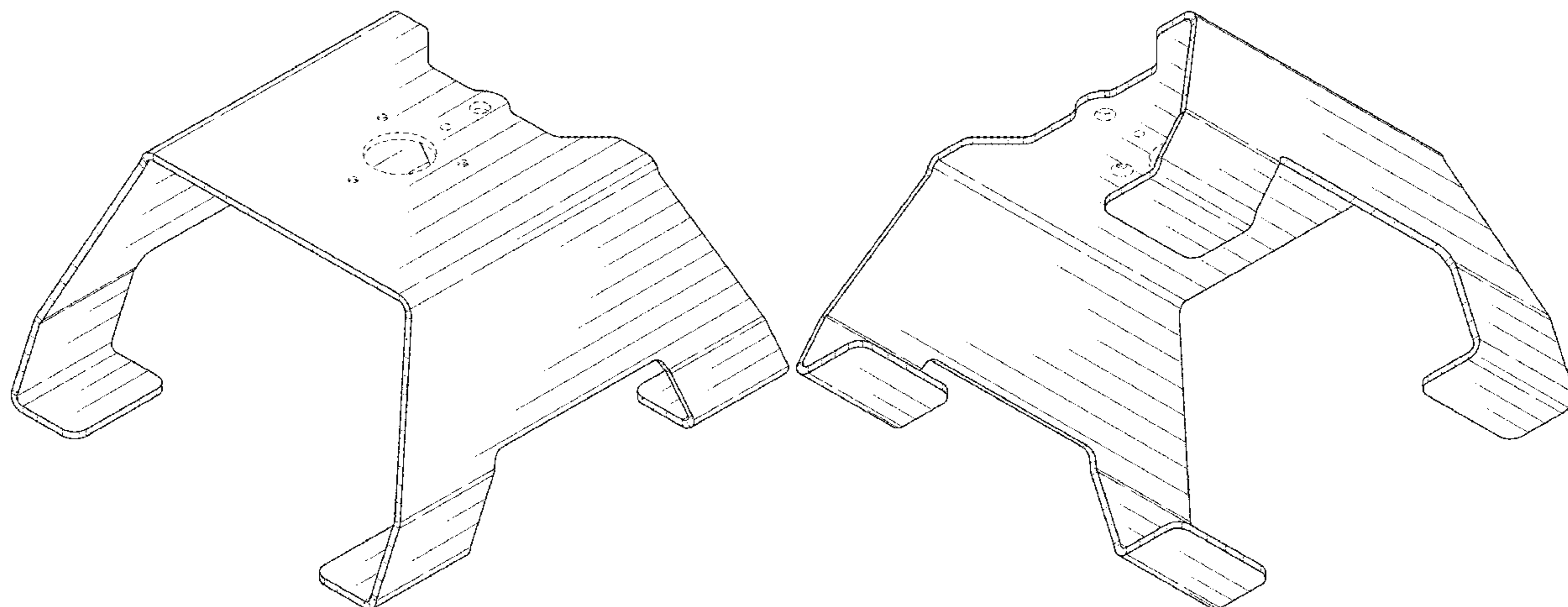
We claim the ornamental design for a model vehicle work stand support, as shown and described.

**DESCRIPTION**

FIG. 1 is an upper, left, front perspective view of a model vehicle work stand support showing our new design; FIG. 2 is a rear elevation view thereof; FIG. 3 is a front elevation view thereof; FIG. 4 is an upper plan view thereof; FIG. 5 is a lower plan view thereof; FIG. 6 is a right side elevation view thereof; FIG. 7 is a left side elevation view thereof; FIG. 8 is an upper, right, rear perspective view thereof; and, FIG. 9 is a lower, right, rear perspective view of the model vehicle work stand support.

In the drawings, the broken lines illustrate portions of the model vehicle work stand support that form no part of the claimed design.

**1 Claim, 6 Drawing Sheets**



(56)

References Cited

U.S. PATENT DOCUMENTS

D695,592 S \* 12/2013 White ..... D8/354  
 D767,973 S \* 10/2016 DeDios-Shirley ..... D8/349  
 D821,851 S \* 7/2018 Stahl ..... D8/382  
 D835,972 S \* 12/2018 Patil ..... F01N 13/1855  
 D863,040 S \* 10/2019 DeDios-Shirley ..... D8/354  
 D869,936 S \* 12/2019 Smith ..... D8/349  
 D906,095 S \* 12/2020 DeDios-Shirley ..... D8/354  
 D946,570 S \* 3/2022 Ded ..... D14/349  
 D965,414 S \* 10/2022 Myers ..... D8/354  
 D970,602 S \* 11/2022 Stanley ..... D17/20  
 D999,123 S \* 9/2023 Smith ..... D8/382  
 2003/0138309 A1 \* 7/2003 Kozak ..... B66F 7/18  
 414/672  
 2003/0155474 A1 \* 8/2003 Dean ..... G11B 33/124  
 248/300  
 2007/0084977 A1 \* 4/2007 Hall ..... F16M 13/02  
 248/125.7

OTHER PUBLICATIONS

EcoPower Rotating Aluminum Car Stand (online), (dated: Aug. 8, 2020) Retrieved from Internet (May 2, 2024), URL: [https://www.ainhobbies.com/ecopower-rotating-1-10-1-8-aluminum-car-stand-](https://www.ainhobbies.com/ecopower-rotating-1-10-1-8-aluminum-car-stand-w-shock-holder-ecp-3001/p1154834#tab-feedback)

w-shock-holder-ecp-3001/p1154834#tab-feedback (2 pages) (Year: 2020).\*

Hobbypark RC Car Work Stand Repair Workstation (online), (dated: Feb. 11, 2020) Retrieved from Internet (May 3, 2024), URL: <https://www.amazon.com/dp/B07QL21HM7> (4 pages) (Year: 2020).\*

Nuofan RC Car Work Stand Aluminum Repair Workstation (online), (dated: Jul. 26, 2022) Retrieved from Internet (May 3, 2024), URL: <https://www.amazon.com/dp/B08G55KQ7L> (3 pages) (Year: 2022).\*

QUE-T Aluminum Rotating RC Car Stand (online), (dated: Apr. 25, 2020) Retrieved from Internet (May 2, 2024), URL: <https://www.amazon.com/dp/B073F7KLVV> (3 pages) (Year: 2020).\*

Traxxas 8796 Blue Aluminum Scale RC Car Stand (online), (dated: Oct. 24, 2023) Retrieved from Internet (May 3, 2024), URL: <https://www.amazon.com/dp/B0CJP3C7SC> (3 pages) (Year: 2023).\*

Traxxas Aluminum RC Car Stand model 8796-blue (online), (dated: Nov. 1, 2023) Retrieved from Internet (May 3, 2024), URL: <https://traxxas.com/products/parts/8796-BLUE> (3 pages) (Year: 2023).\*

Traxxas X-Truck Stand Model No. 8797-Blue (online), (dated: Nov. 1, 2023) Retrieved from Internet (May 3, 2024), URL: <https://traxxas.com/products/parts/8797-BLUE> (2 pages) (Year: 2023).\*

Fastrax Black Anodised Aluminium Car Pit Stand (online), (dated: Jan. 18, 2018) Retrieved from Internet (May 2, 2024), URL: <https://www.amazon.co.uk/dp/B06X1FM8G6> (2 pages) (Year: 2018).\*

JConcepts Metal Car Stand Black JCO29032 (online), (dated: Mar. 25, 2023) Retrieved from Internet (May 2, 2024), URL: <https://www.horizonhobby.com/product/jconcepts-metal-car-stand-black/JCO29032.html> (2 pages) (Year: 2023).\*

\* cited by examiner

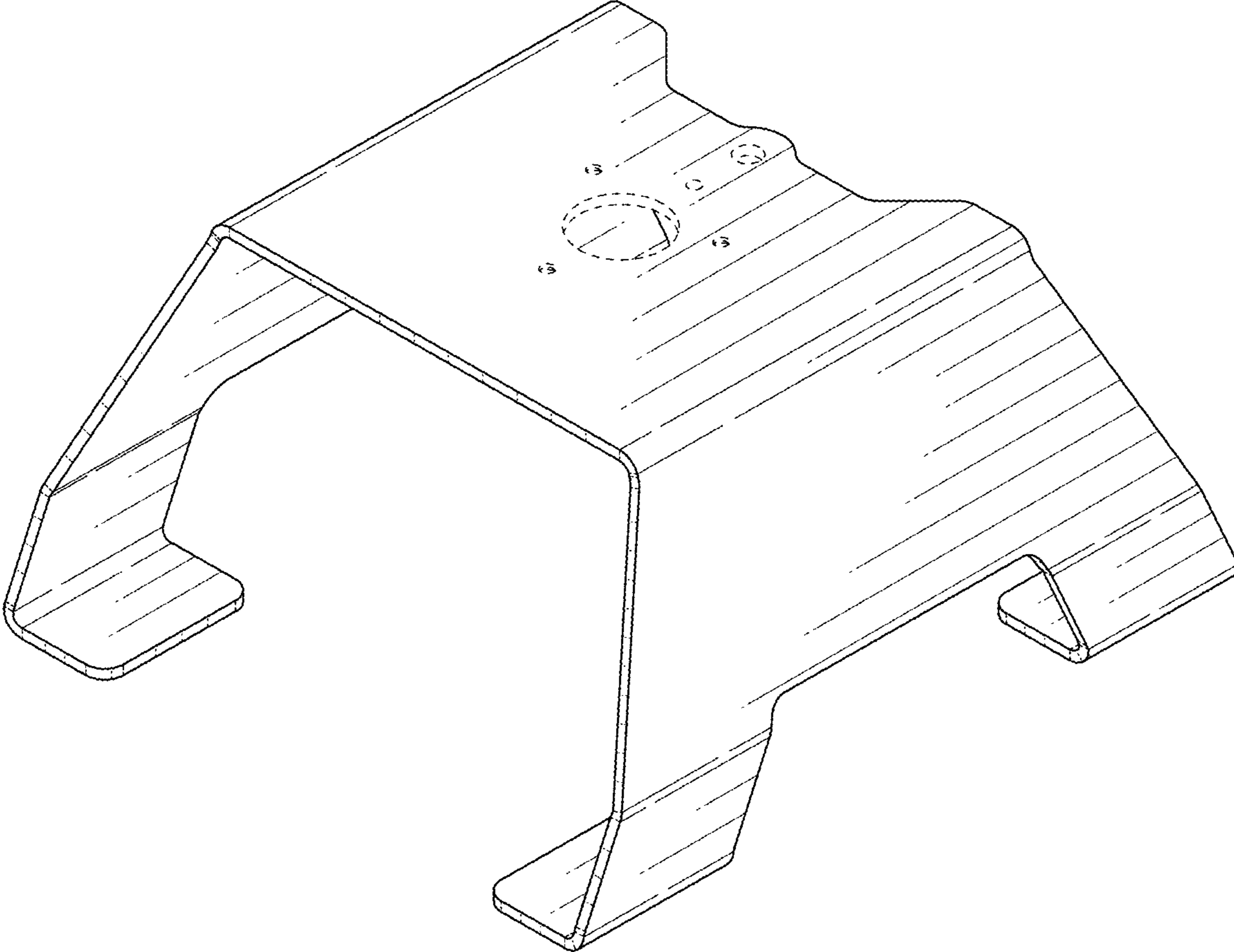


FIG. 1

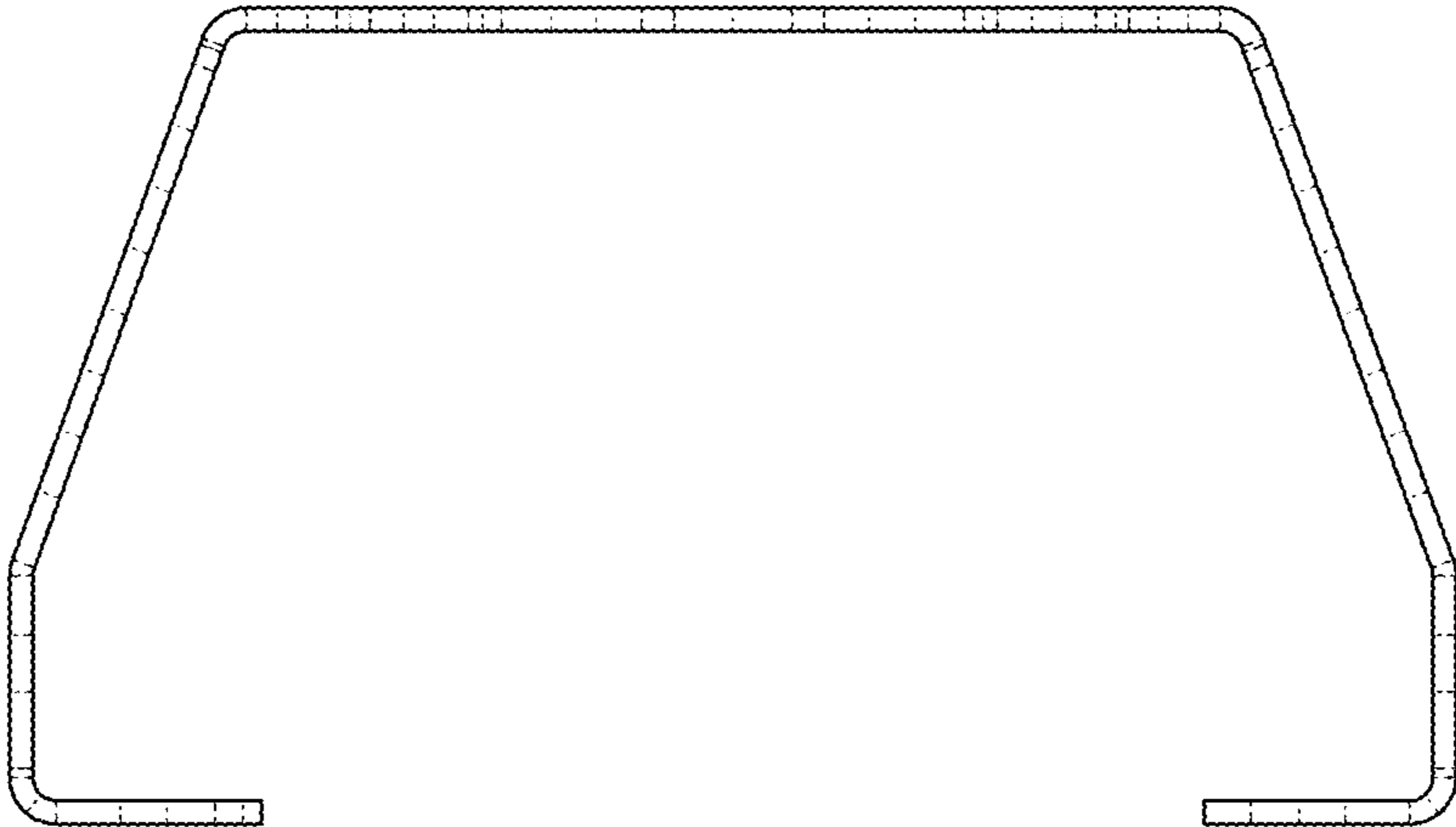


FIG. 2

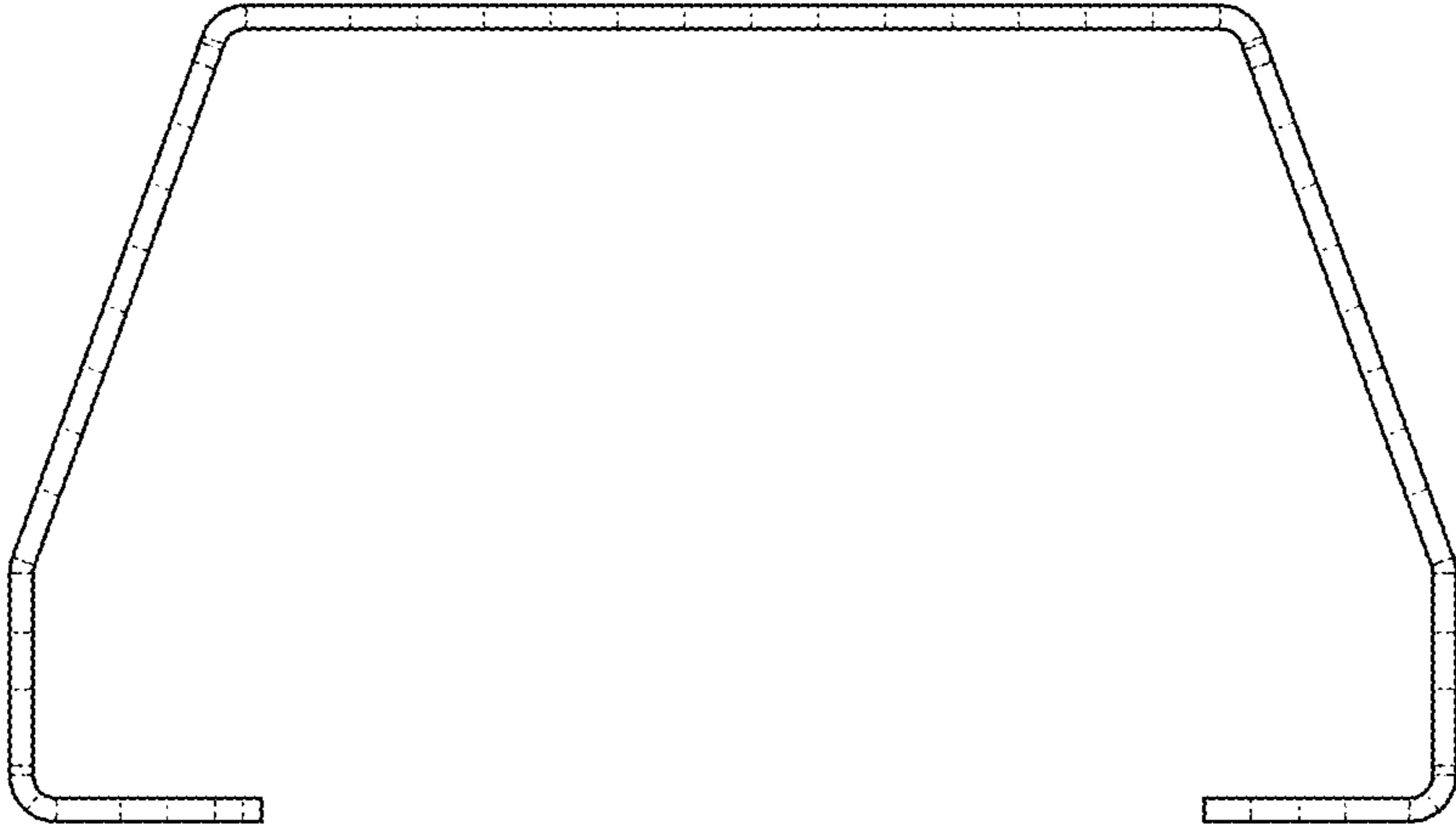


FIG. 3

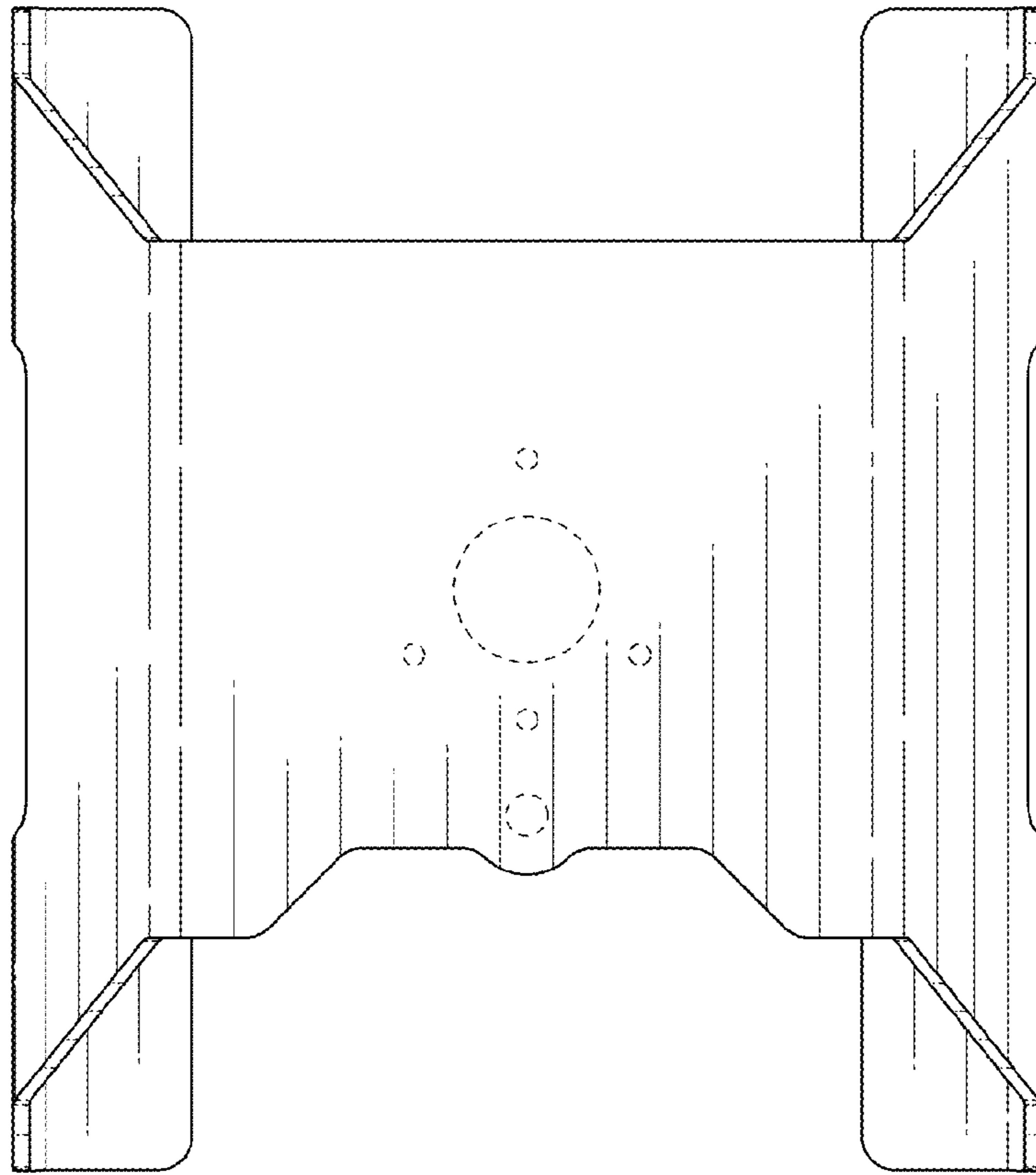


FIG. 4

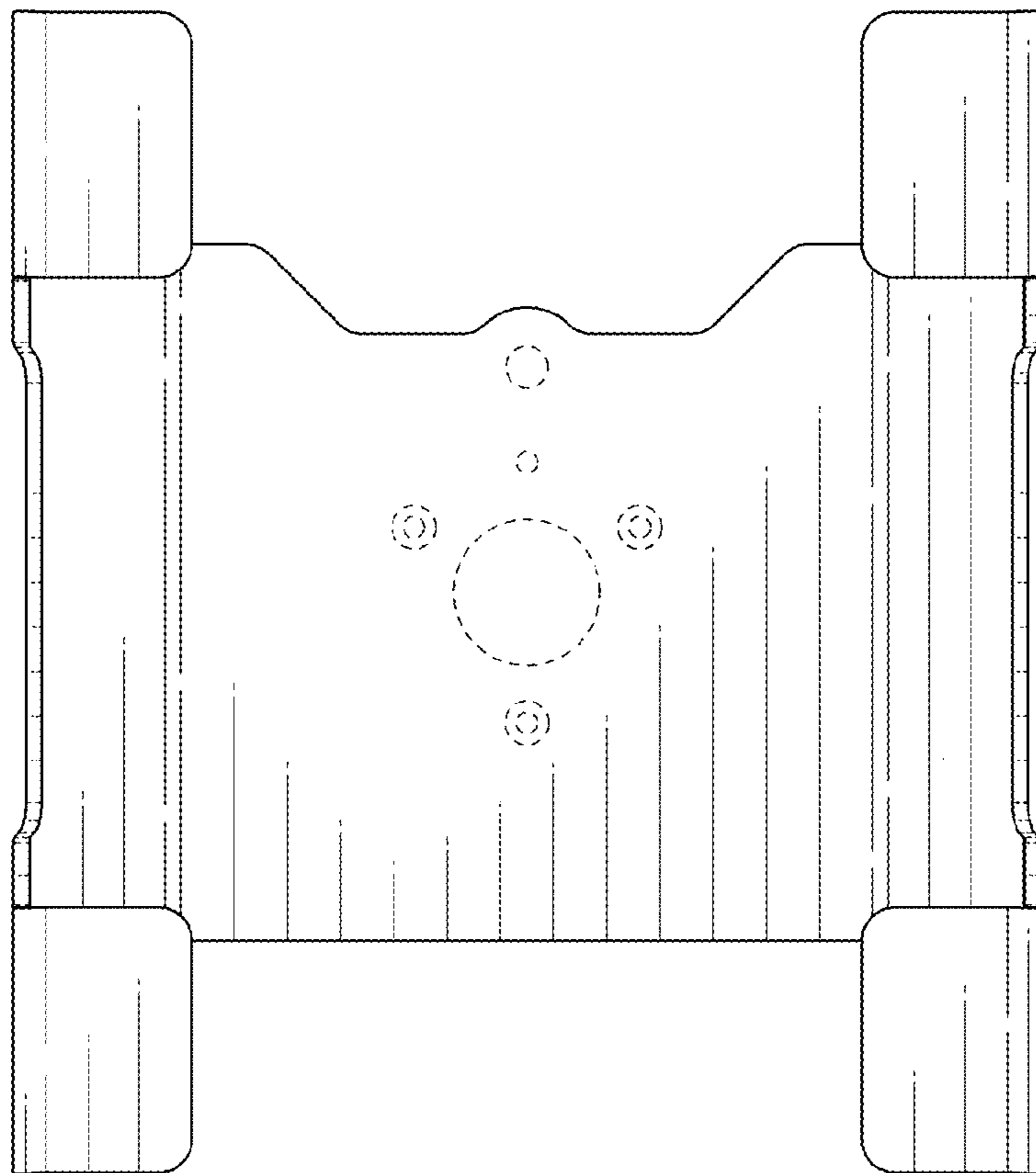


FIG. 5

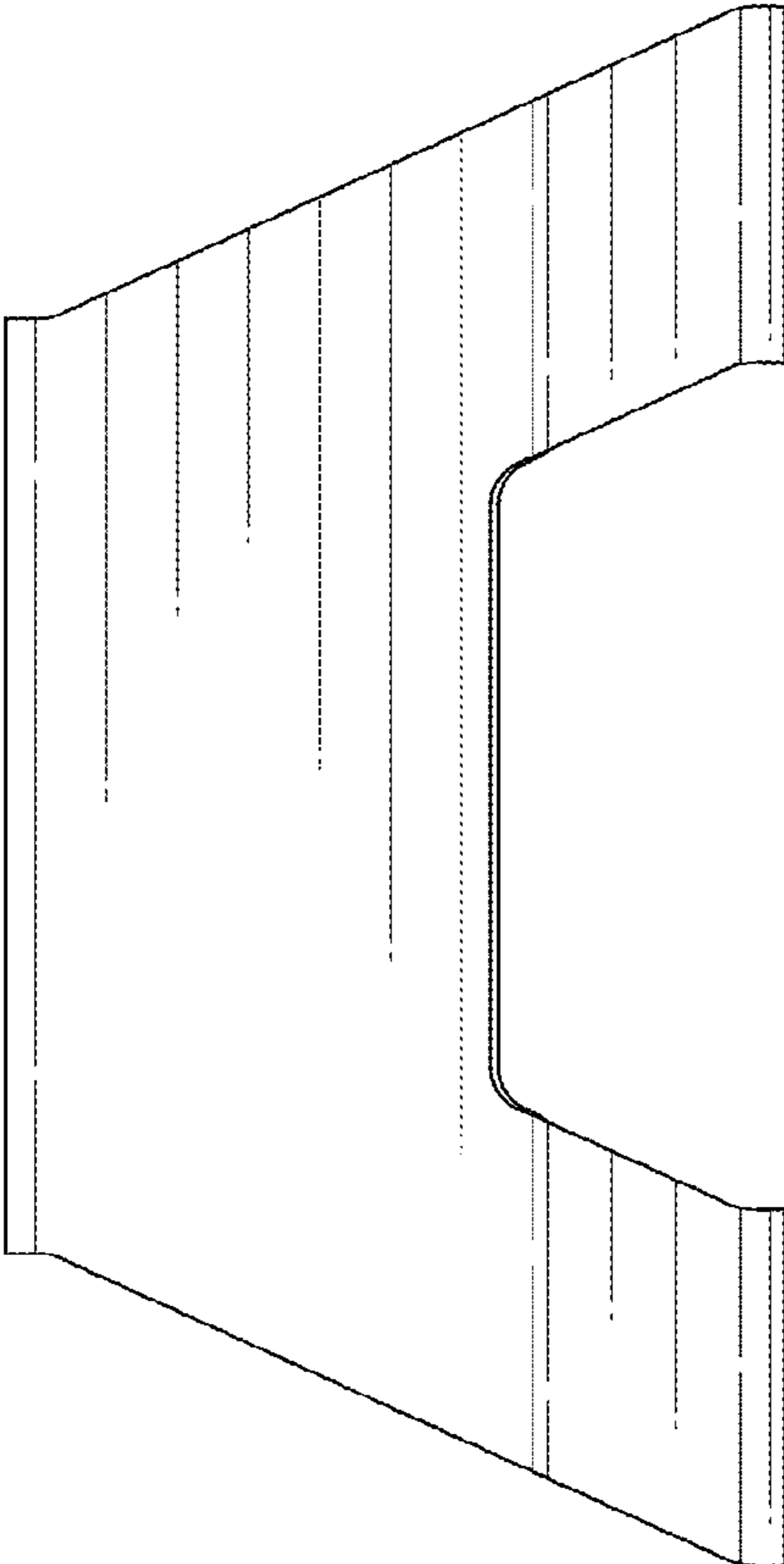


FIG. 6

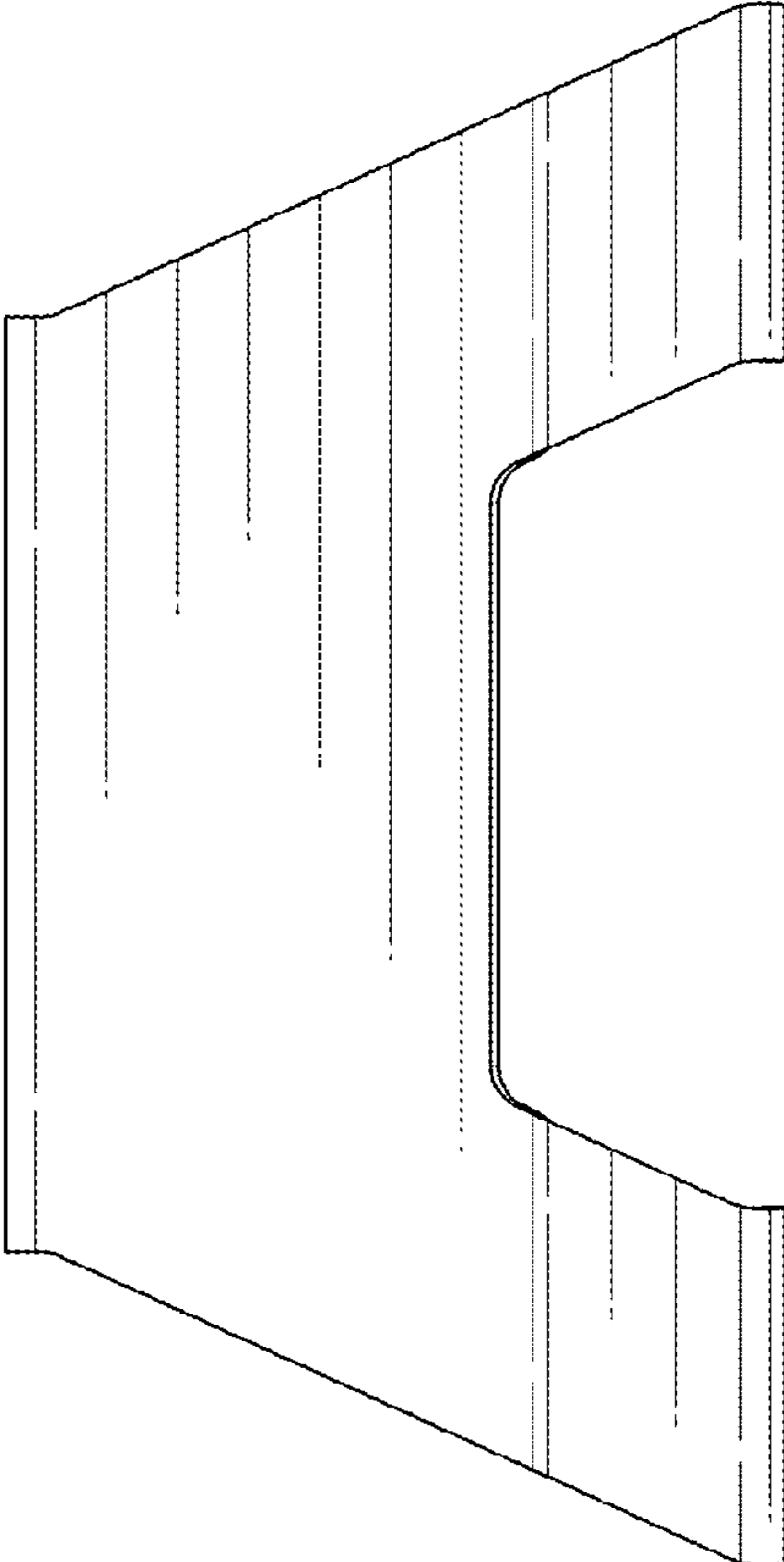


FIG. 7

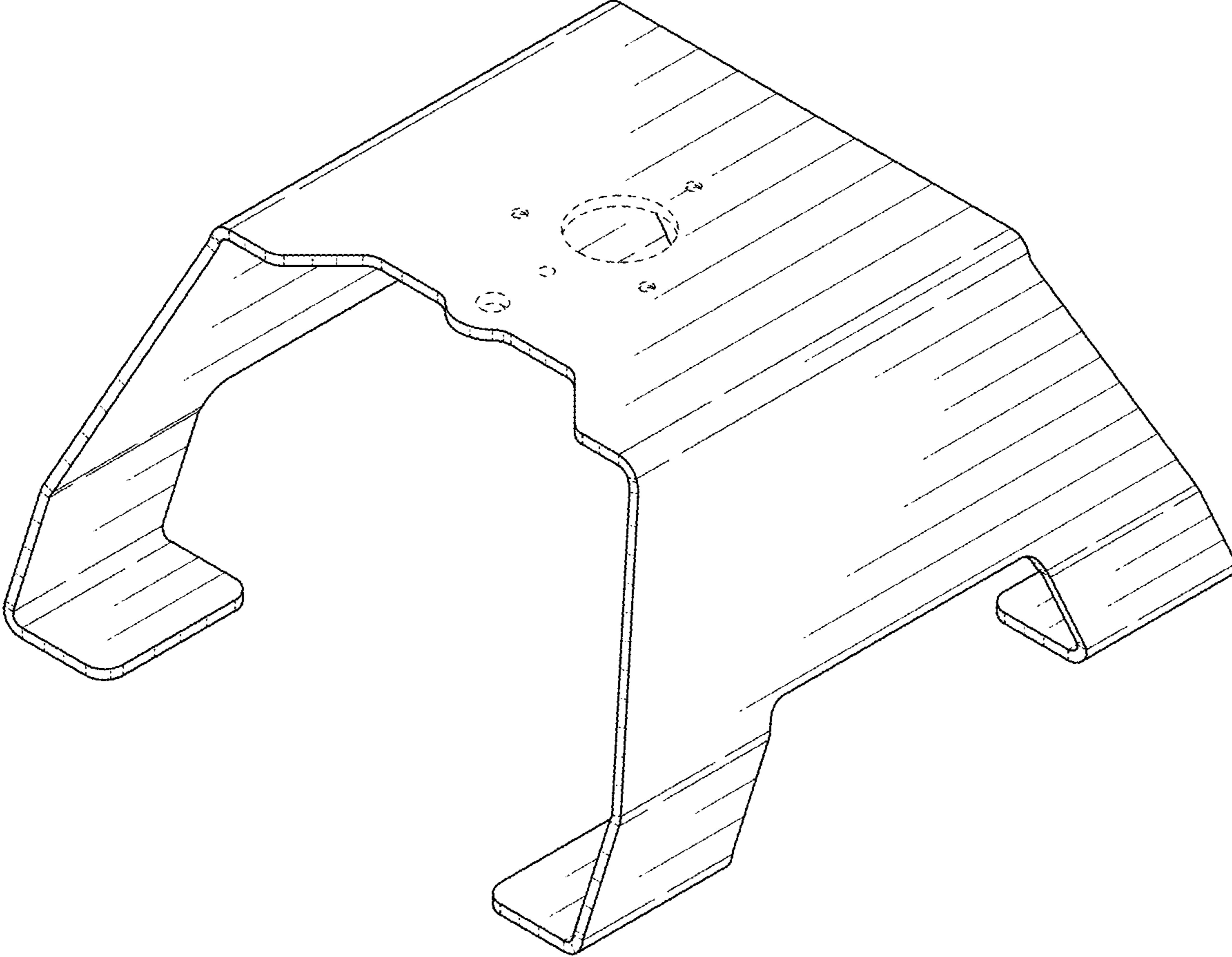


FIG. 8

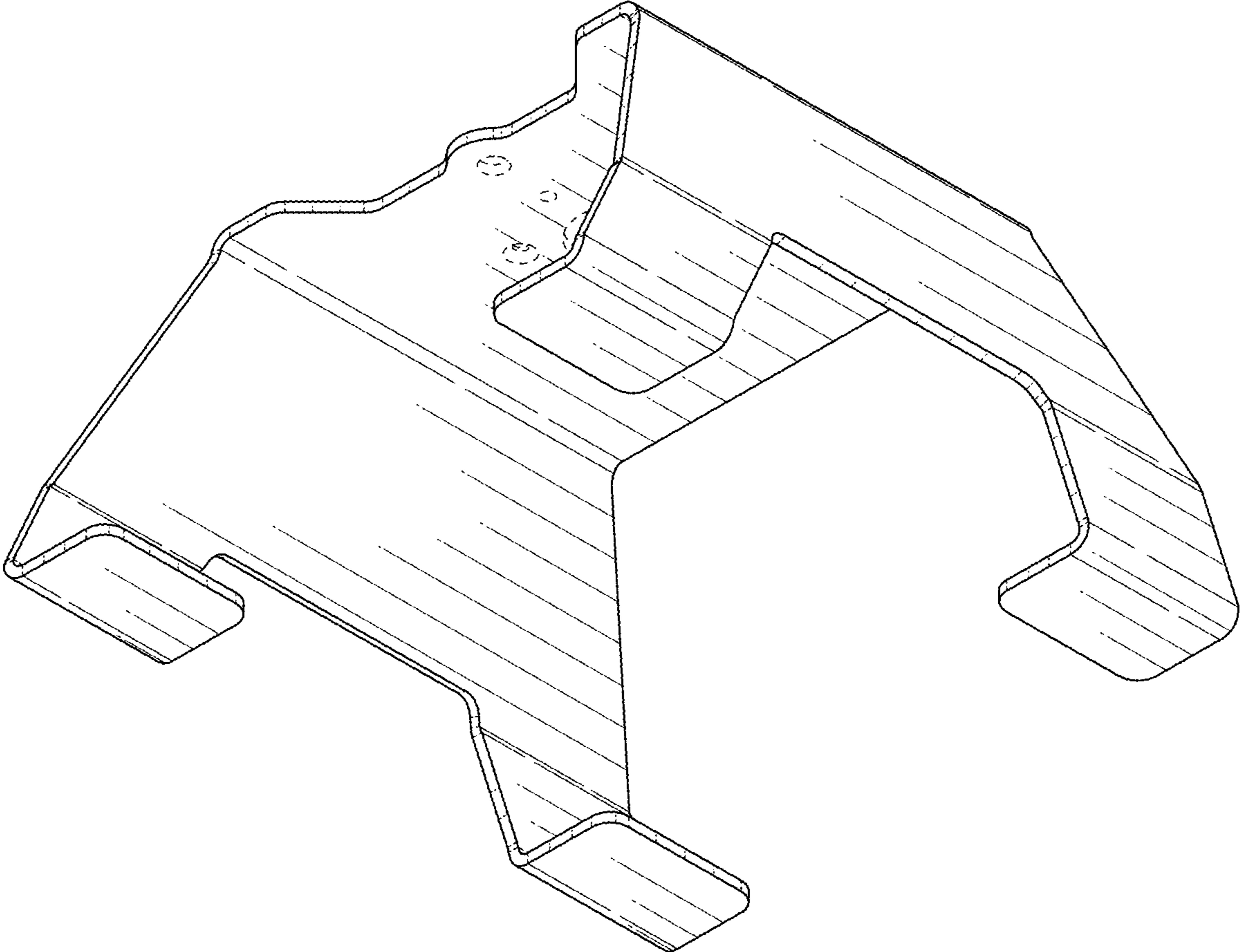


FIG. 9