



US0D1034133S

(12) **United States Design Patent** (10) **Patent No.:** **US D1,034,133 S**
Dawson et al. (45) **Date of Patent:** **** Jul. 9, 2024**

- (54) **COMPACT CLAMPING ASSEMBLY**
- (71) Applicants: **Dony Dawson**, Arkington, TX (US);
Stephen Savoie, Arlington, TX (US)
- (72) Inventors: **Dony Dawson**, Arkington, TX (US);
Stephen Savoie, Arlington, TX (US)
- (**) Term: **15 Years**
- (21) Appl. No.: **29/738,341**
- (22) Filed: **Jun. 17, 2020**
- (51) **LOC (14) Cl.** **08-05**
- (52) **U.S. Cl.**
USPC **D8/72**
- (58) **Field of Classification Search**
USPC D6/684; D7/683, 685, 686; D8/71-74,
D8/394-399, 59; D15/140; D24/143
CPC B23Q 1/28; B23Q 7/1431; F16B 12/20;
F16B 2/12; B23K 37/0435; B23D 47/04;
Y10T 83/4645; Y10T 83/6563; Y10T
83/7553; Y10T 83/7697; Y10T 83/7722
See application file for complete search history.

(56) **References Cited**

U.S. PATENT DOCUMENTS

1,425,868	A *	8/1922	La Point	F16B 12/20 108/159.11
1,805,395	A *	5/1931	Glass	B25H 1/00 269/254 R
3,697,046	A *	10/1972	Sur	B66F 1/06 269/143
D235,475	S *	6/1975	Waldman	D15/140
D351,295	S *	10/1994	Noniewicz	D6/684
D361,337	S *	8/1995	Hardy	D15/123
D361,774	S *	8/1995	Barry	D15/140
D391,150	S *	2/1998	Anderson	D8/394
D425,771	S *	5/2000	Dearing	D8/71
D481,402	S *	10/2003	Jenkins	D15/140

6,912,940	B1 *	7/2005	Atwood	B23D 47/04 83/462
D533,571	S *	12/2006	Degen	D15/140
D642,603	S *	8/2011	Michael	D25/138
D722,491	S *	2/2015	Ramsauer	D8/395
D804,926	S *	12/2017	Atkinson	D15/140
2013/0074294	A1 *	3/2013	Lynch	A47G 21/167 24/535

* cited by examiner

Primary Examiner — David G Muller
Assistant Examiner — Christina Gabrielle Cosden
(74) *Attorney, Agent, or Firm* — Richard Eldredge;
Leavitt Eldredge Law Firm

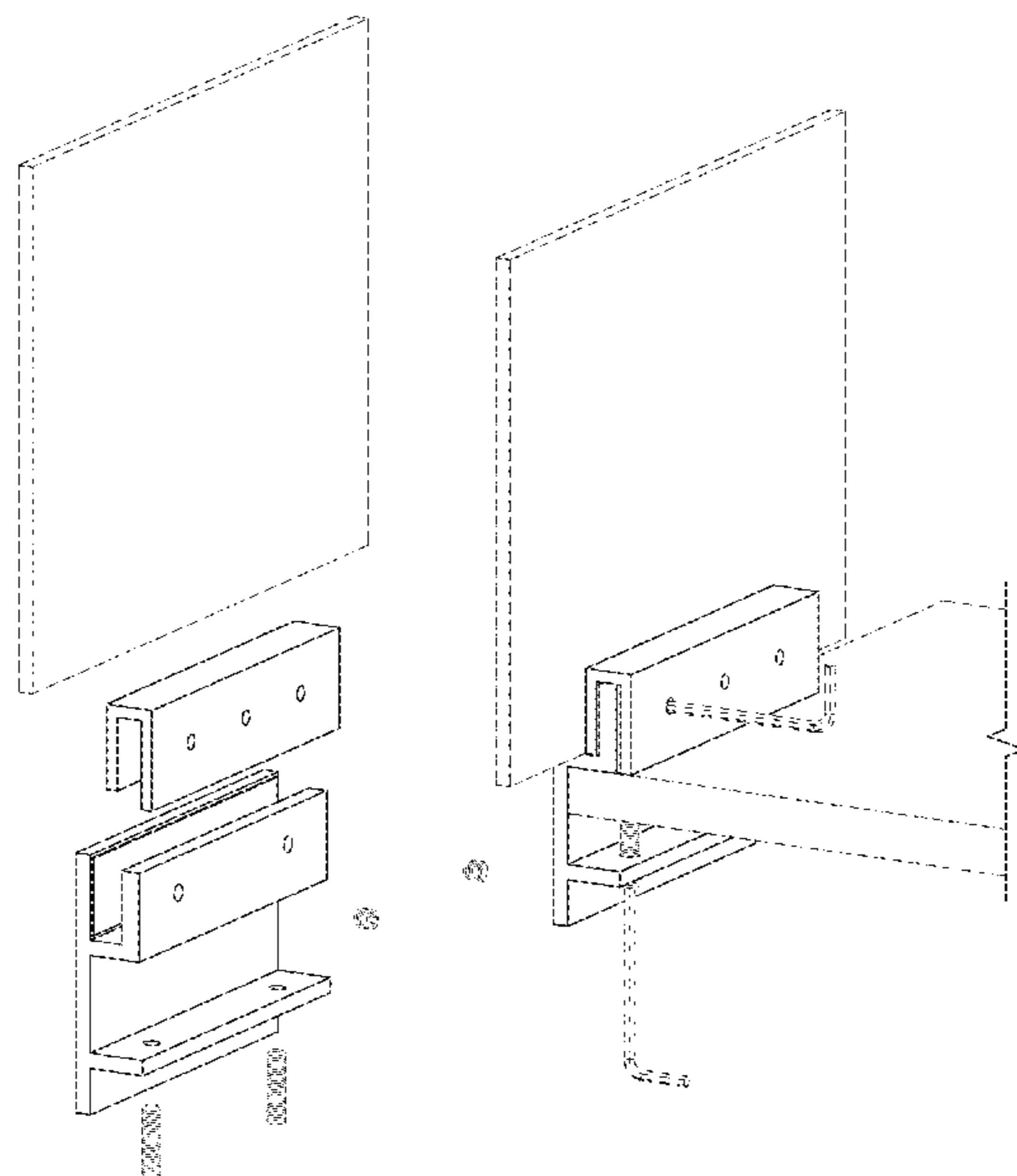
(57) **CLAIM**

The ornamental design for a compact clamping assembly, as shown and described.

DESCRIPTION

FIG. 1 is an exploded back-isometric view of a compact clamping assembly according to the present application. FIG. 2 is an exploded back-isometric directional view of the compact clamping assembly. FIG. 3 is an exploded back-isometric directional view of the compact clamping assembly attached to table. FIG. 4 is an exploded elevated left side view of the compact clamping assembly. FIG. 5 is an assembled elevated left side view of the compact clamping assembly. FIG. 6 is an assembled elevated side view of the compact clamping assembly attached to table. FIG. 7 is an exploded front-isometric view of the compact clamping assembly. FIG. 8 is an assembled front-isometric view of the compact clamping assembly; and, FIG. 9 is an assembled front-isometric view of the compact clamping assembly attached to table.

1 Claim, 9 Drawing Sheets



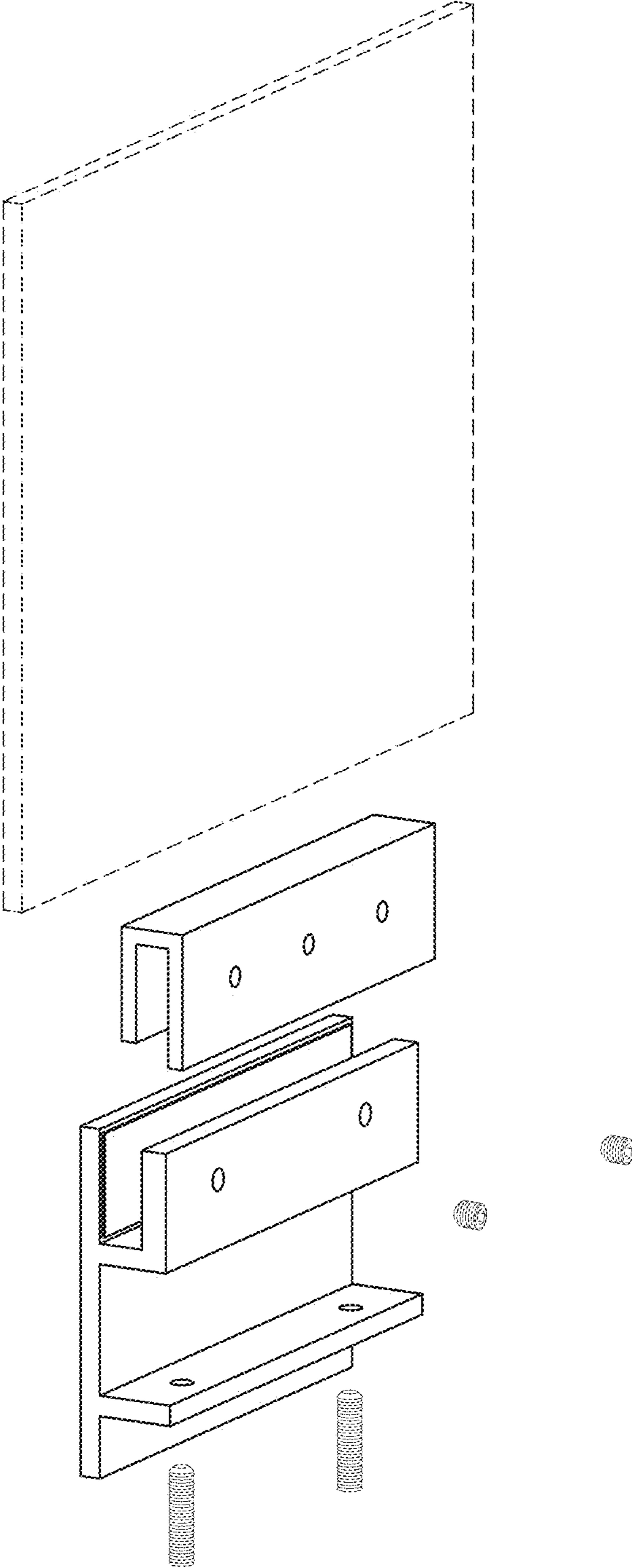


FIG. 1

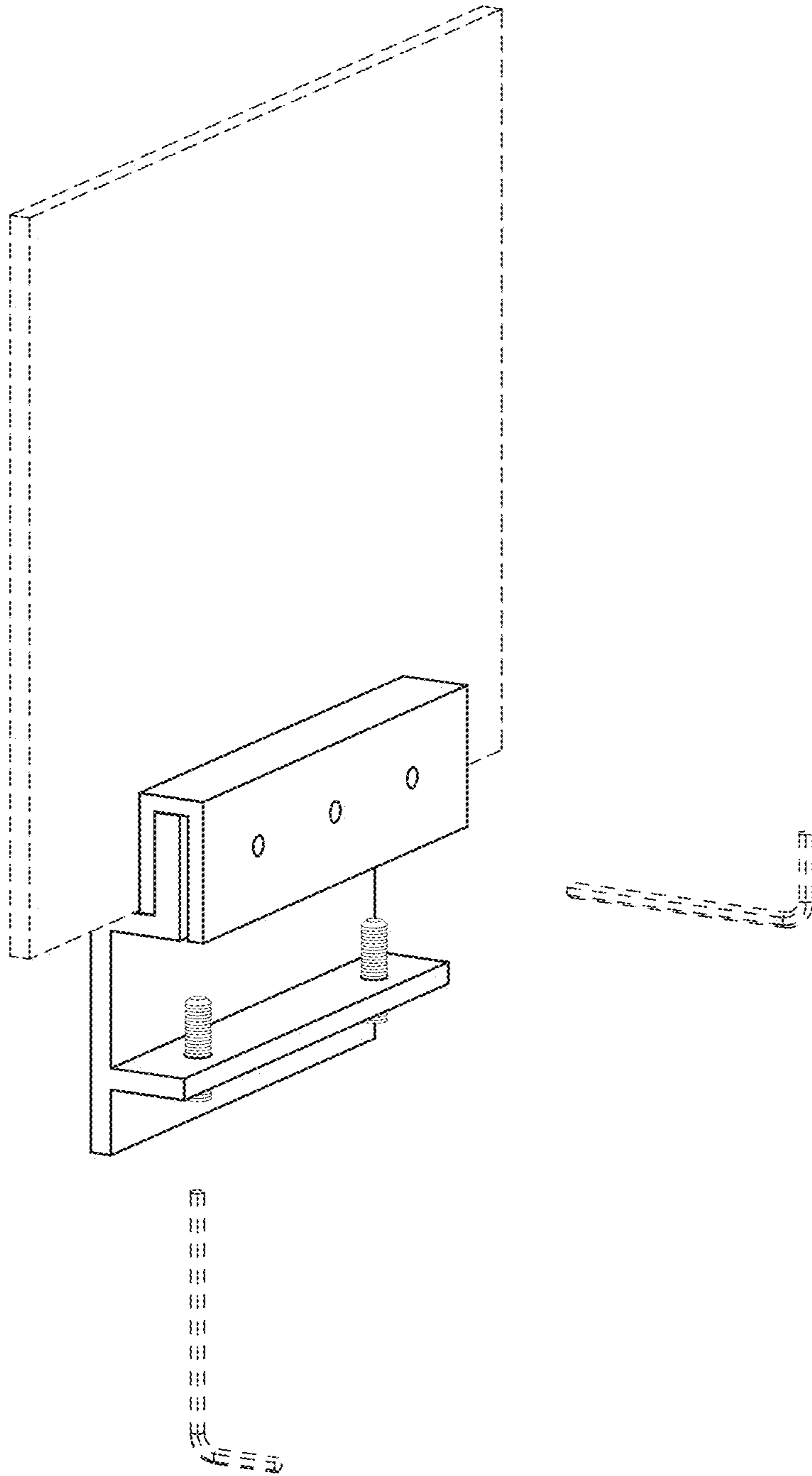


FIG. 2

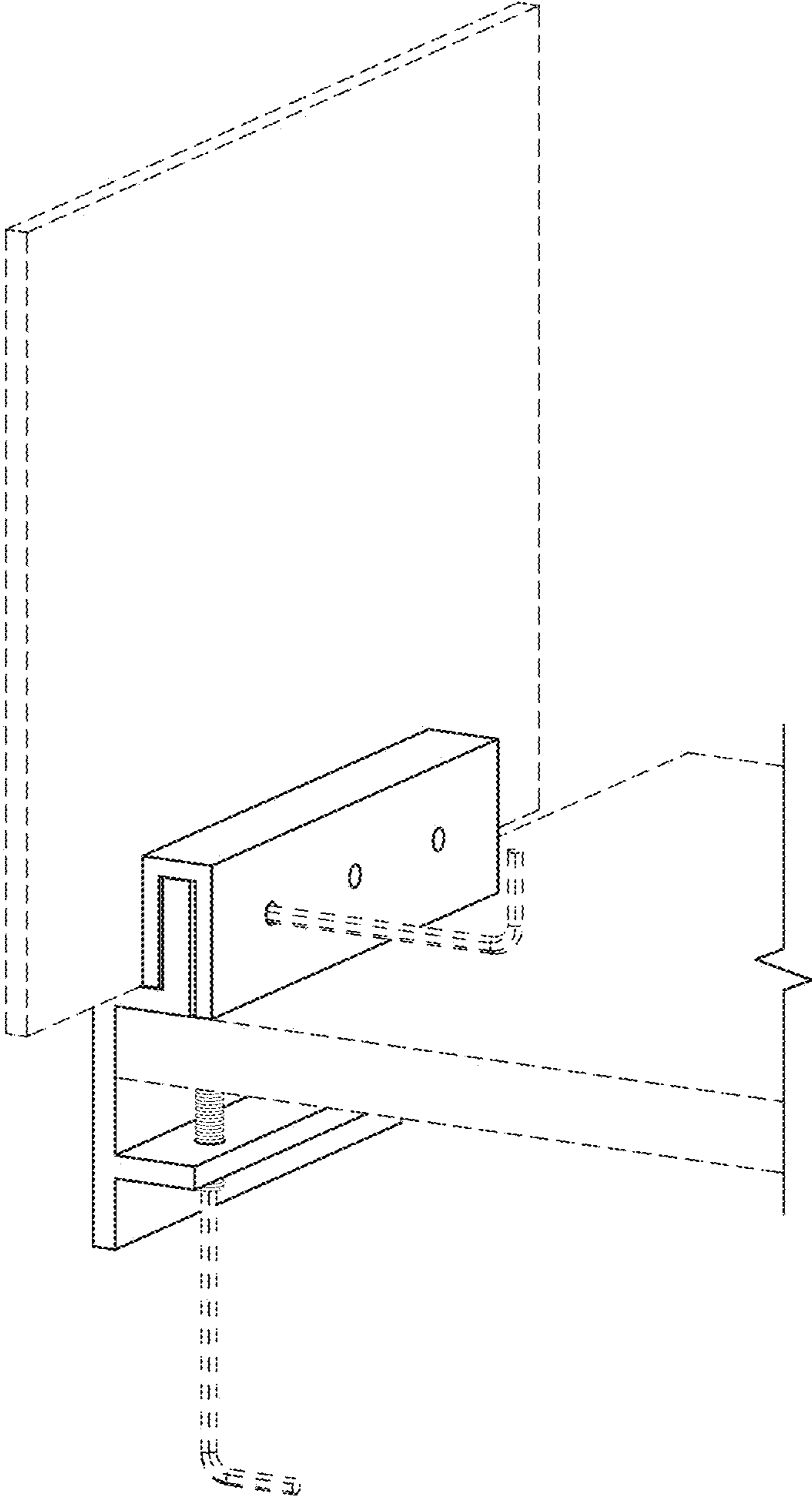


FIG. 3

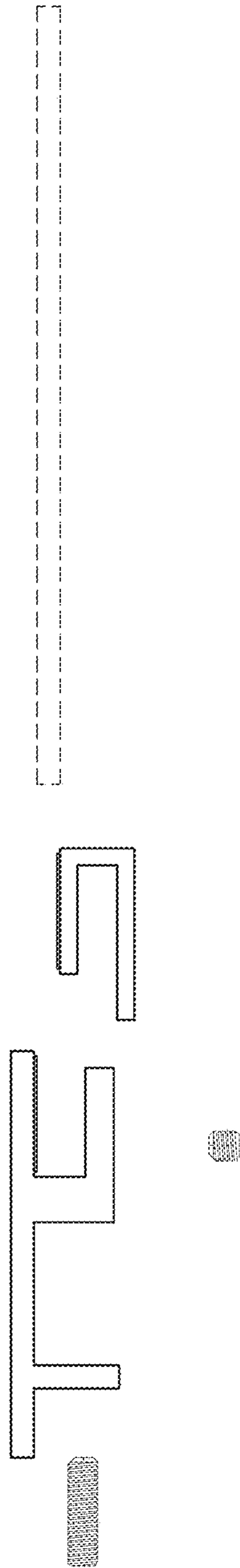


FIG. 4

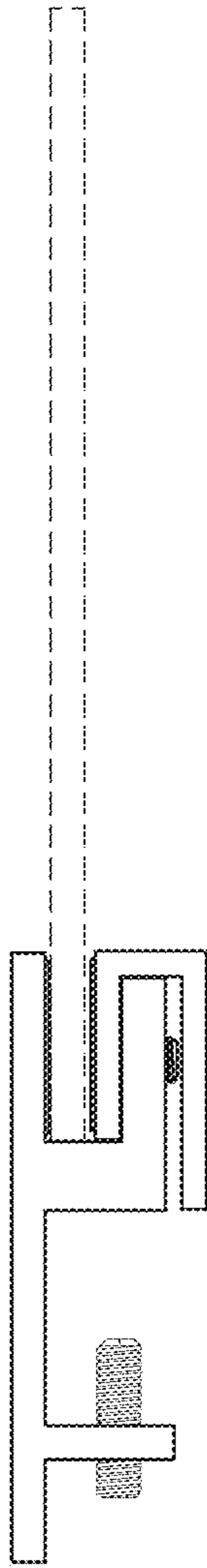


FIG. 5

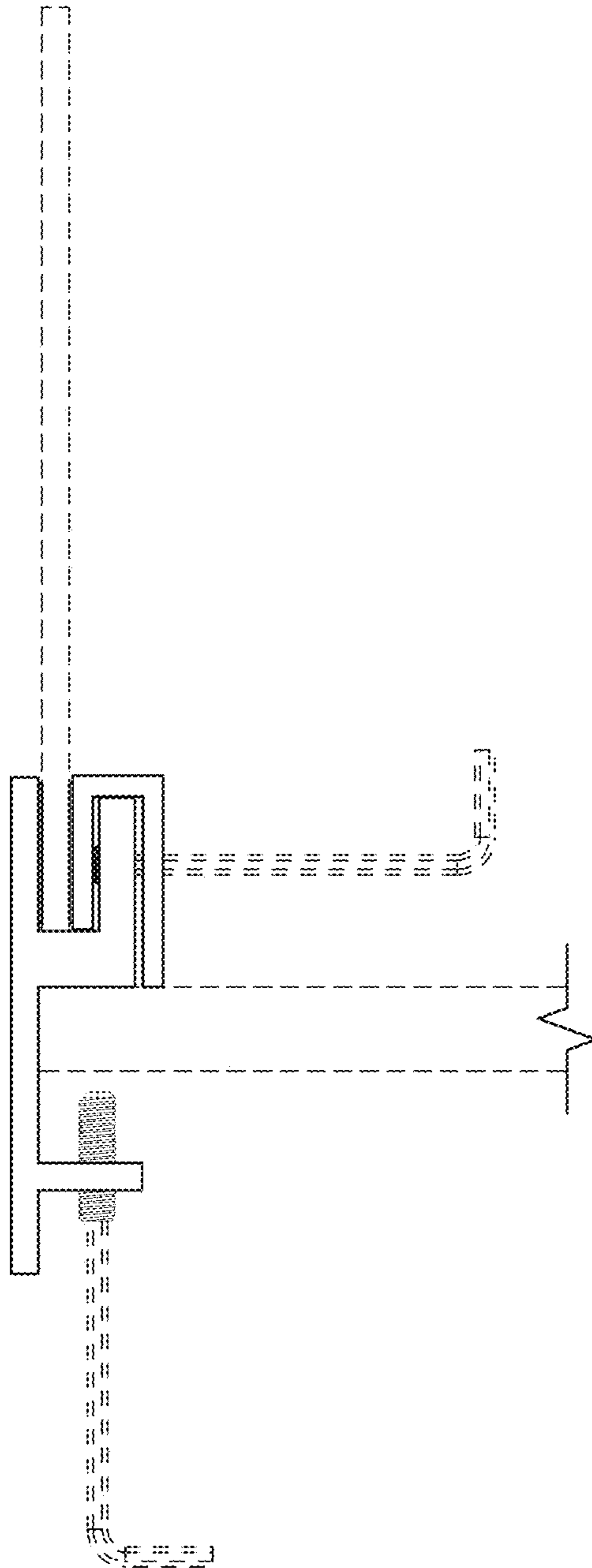


FIG. 6

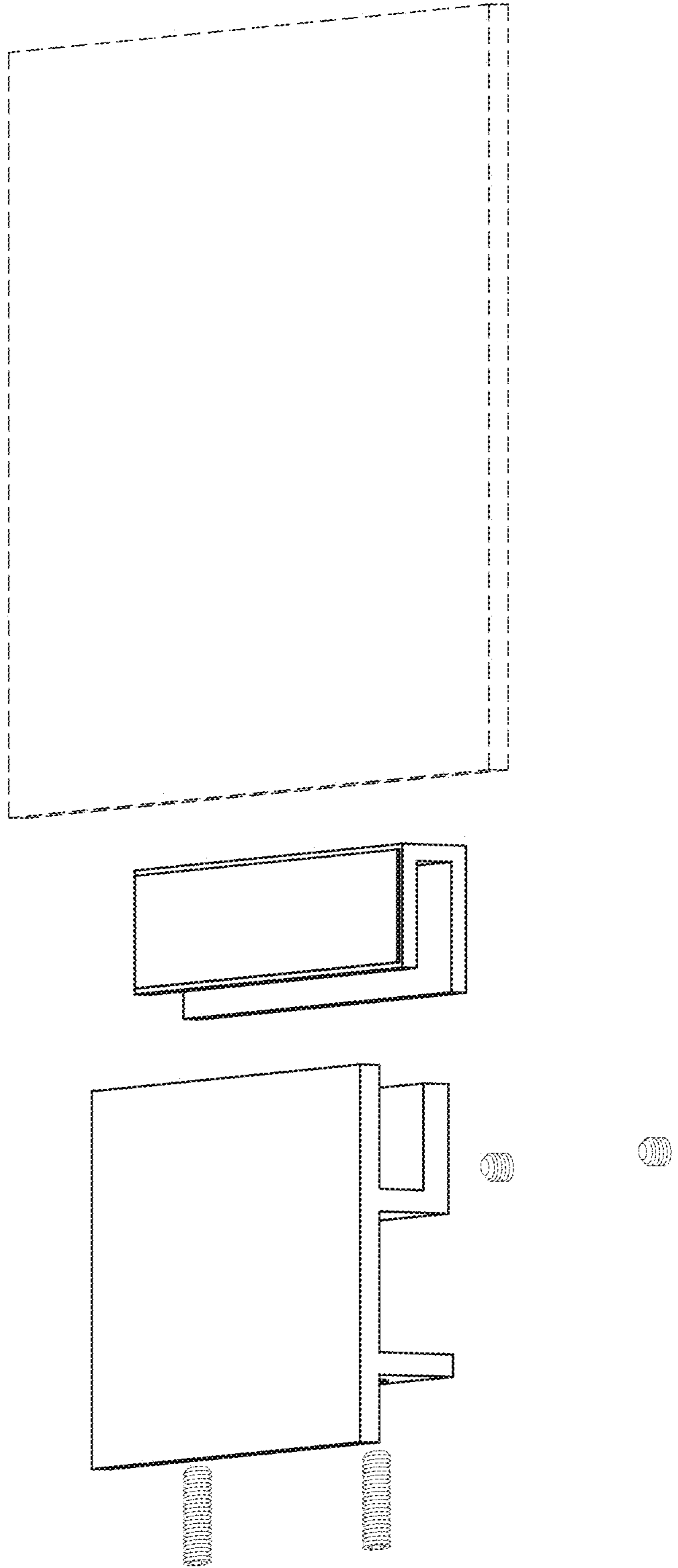


FIG. 7

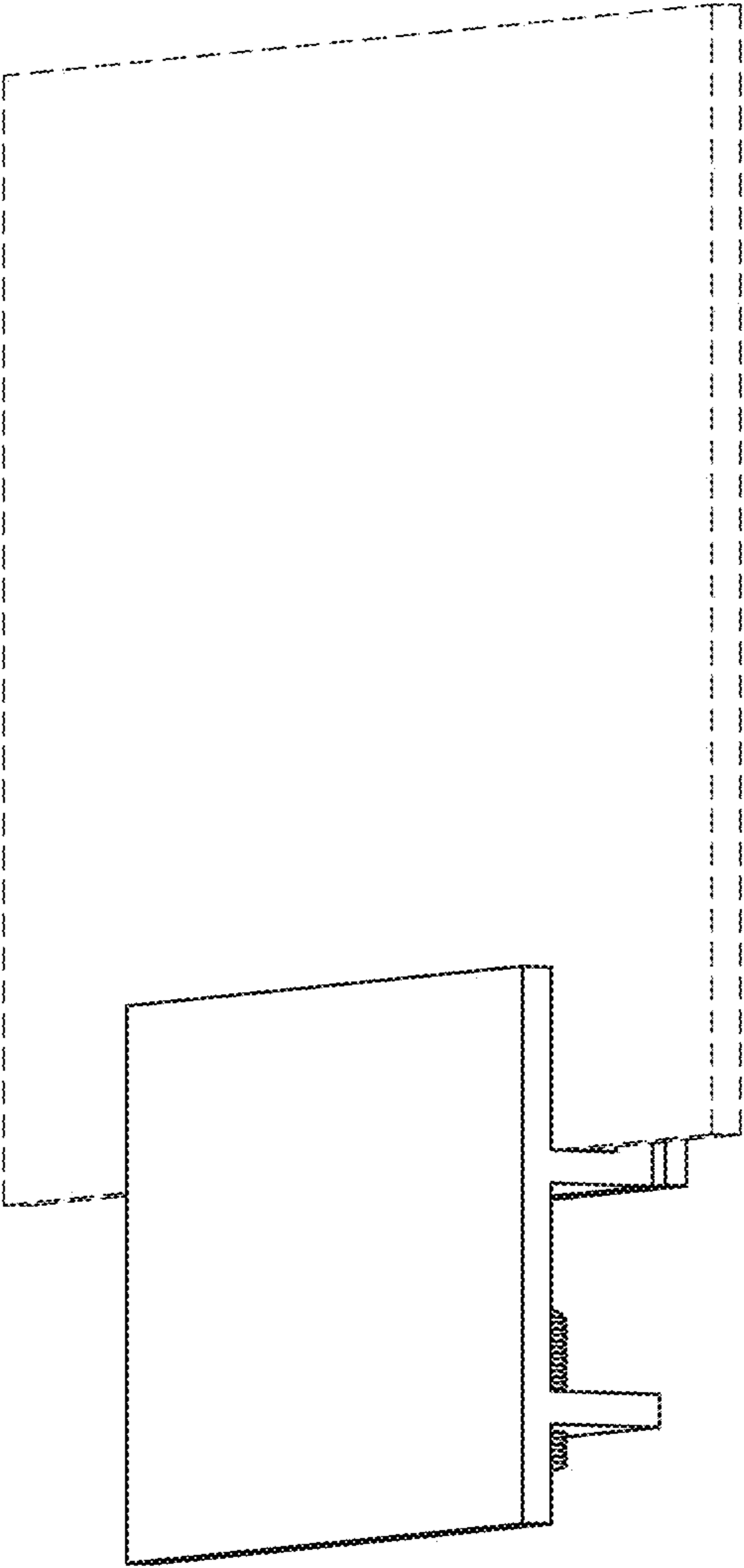


FIG. 8

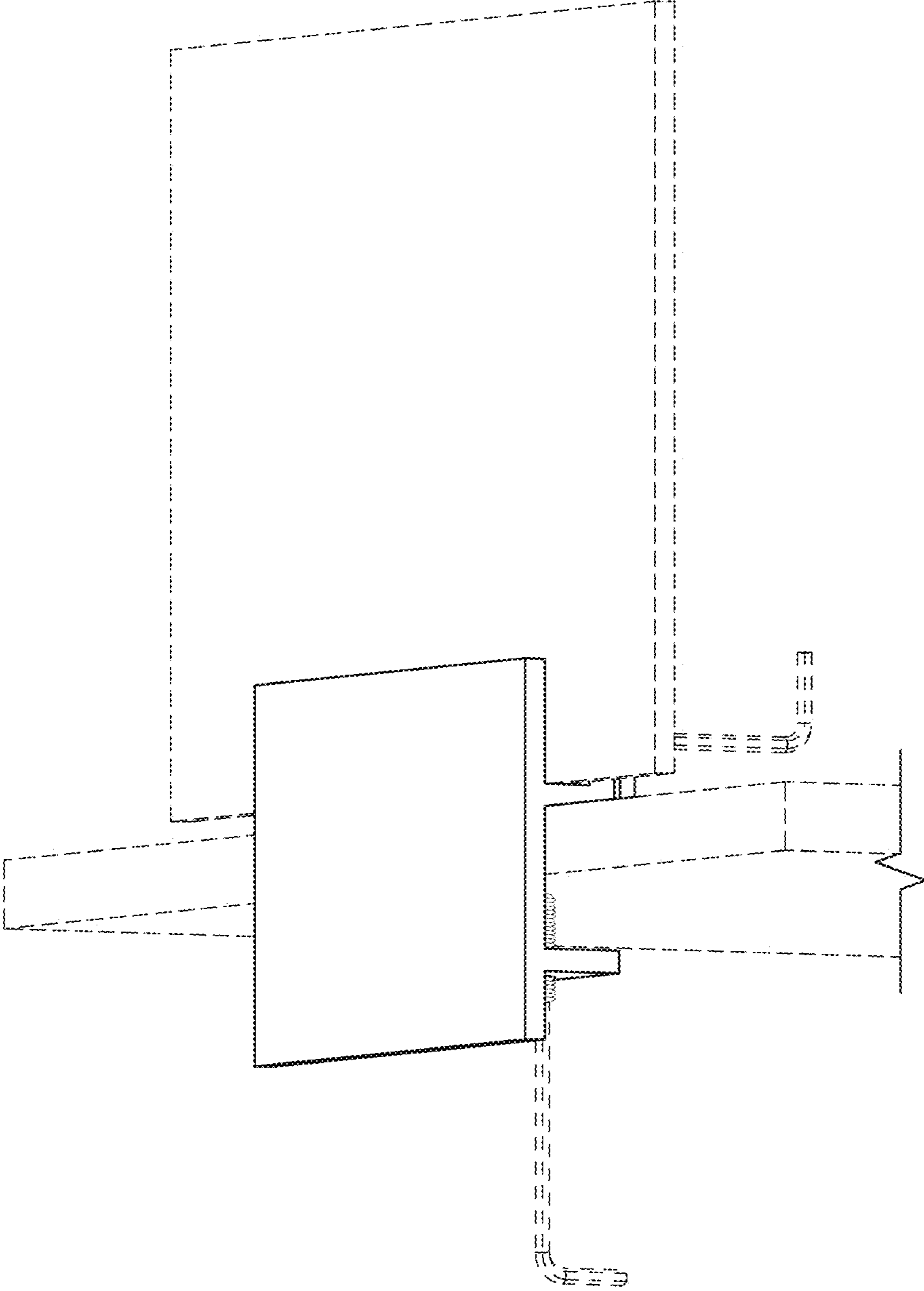


FIG. 9