



US0D1034079S

(12) **United States Design Patent**
Naweed

(10) **Patent No.: US D1,034,079 S**
(45) **Date of Patent: ** Jul. 9, 2024**

(54) **BEVERAGE DIFFUSION CONTAINER**

FOREIGN PATENT DOCUMENTS

(71) Applicant: **Mohammad Ali Naweed**, Lahore (PK)

GB 2037675 * 9/1994
JP 2007532416 11/2007

(72) Inventor: **Mohammad Ali Naweed**, Lahore (PK)

(Continued)

(**) Term: **15 Years**

OTHER PUBLICATIONS

(21) Appl. No.: **29/810,495**

High Camp Flasks [online] URL: <https://highcampflasks.com/products/torch-flask> (site visited: Dec. 29, 2023) (Year: 2022).*

(22) Filed: **Oct. 5, 2021**

(Continued)

(51) **LOC (14) Cl.** **07-01**

(52) **U.S. Cl.**

USPC **D7/510**; D7/630

(58) **Field of Classification Search**

USPC D7/509, 543, 300, 396.2, 514, 619.1,
D7/622, 396.1, 608, 213, 510, 511, 523,
D7/533, 535, 536, 392.1, 600, 900, 630;
D9/500, 516, 549, 443, 449; D3/202
CPC A63F 2009/0058; A47G 19/2205; A47G
21/18; A47G 19/22; A47G 19/2288; A47J
41/00; A47J 41/0077; B65D 1/40

See application file for complete search history.

Primary Examiner — Michael C Stout

Assistant Examiner — Tia Ruth-Renee Polidori

(57) **CLAIM**

The ornamental design for a beverage diffusion container, as shown and described.

DESCRIPTION

FIG. 1 is a top front perspective view of a beverage diffusion container showing my new design;
FIG. 2 is a bottom rear perspective view thereof;
FIG. 3 is a front elevational view thereof;
FIG. 4 is a rear elevational view thereof;
FIG. 5 is a left elevational view thereof;
FIG. 6 is a right elevational view thereof;
FIG. 7 is a top plan view thereof;
FIG. 8 is a bottom plan view thereof;
FIG. 9 is a cross-sectional view thereof, taken along line 9-9 in FIG. 3;
FIG. 10 is an exploded top front perspective view thereof; and,
FIG. 11 is an exploded bottom rear perspective view thereof.
The portions of the beverage diffusion container shown in broken line form no part of the claimed design.

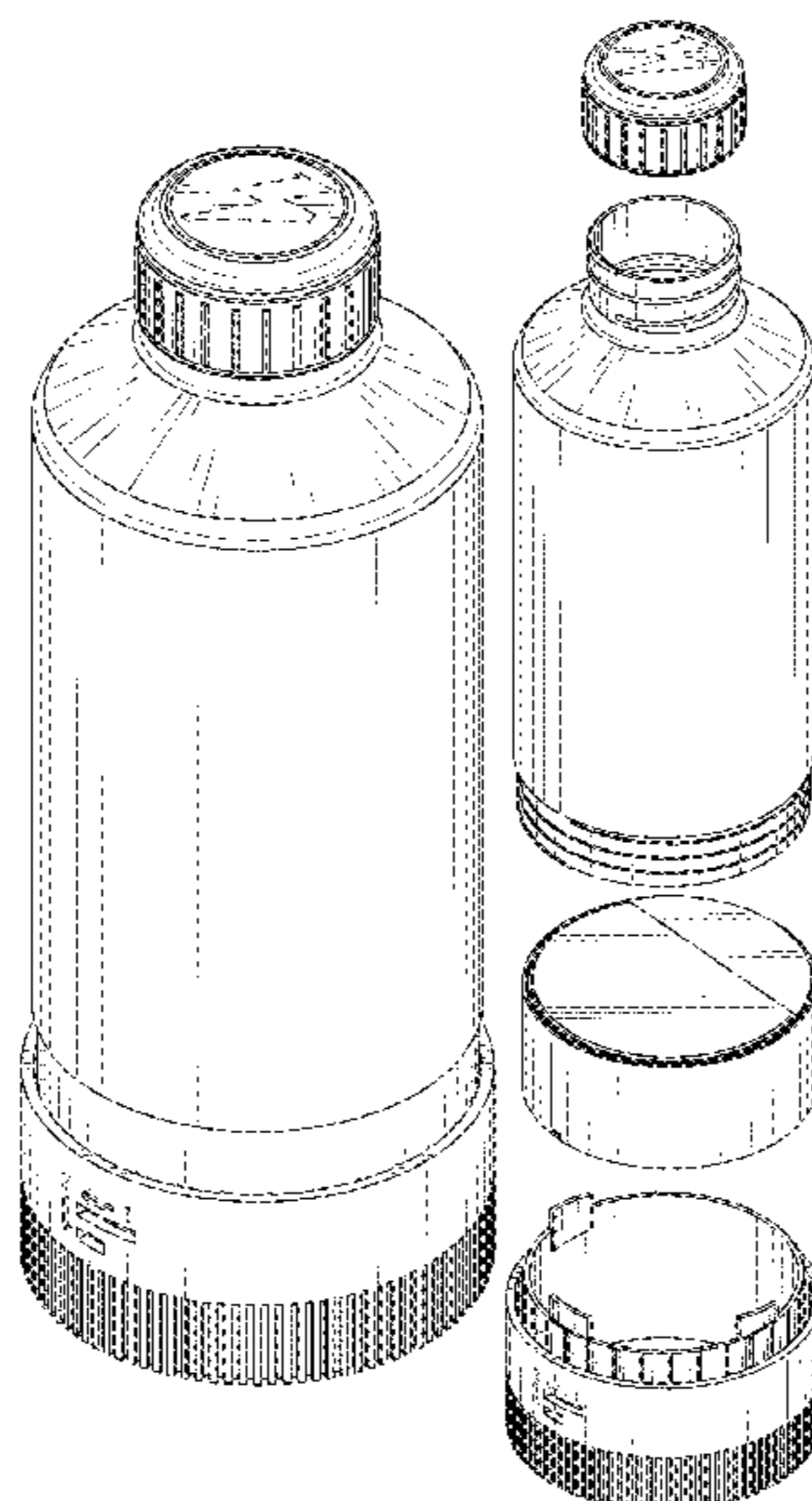
(56) **References Cited**

U.S. PATENT DOCUMENTS

- 1,004,926 A * 10/1911 Steel A47J 41/0077
215/13.1
- 2,808,167 A * 10/1957 Polazzolo A47J 41/0077
215/DIG. 7
- D246,858 S * 1/1978 Larson D7/608
- 4,076,139 A * 2/1978 Larson A61J 9/08
220/605
- D375,870 S * 11/1996 Stonehouse D7/630
- D384,859 S * 10/1997 Cundieff D7/509
- 6,004,460 A * 12/1999 Palmer C02F 1/003
222/189.09
- 7,413,074 B2 8/2008 Barr
- D594,088 S * 6/2009 Pritchard D23/207
- D670,858 S * 11/2012 Fakhouri D27/189
- 8,371,244 B2 * 2/2013 Krasner A01K 7/00
119/72.5

(Continued)

1 Claim, 11 Drawing Sheets



(56)

References Cited

U.S. PATENT DOCUMENTS

D709,329 S * 7/2014 Ross D7/523
 D727,100 S * 4/2015 DelMuro D7/509
 D738,692 S * 9/2015 Kilduff D7/630
 9,708,109 B2 7/2017 Marina et al.
 D804,915 S * 12/2017 Suess D7/608
 D845,277 S * 4/2019 Yoon D14/216
 D862,172 S * 10/2019 Lovegrove D7/532
 D893,959 S * 8/2020 Lane D7/630
 D917,290 S * 4/2021 Bravman D9/500
 D947,028 S * 3/2022 Wu D9/503
 11,565,868 B1 * 1/2023 Naweed B65D 81/3211
 D981,187 S * 3/2023 Storer D7/630
 D1,011,835 S * 1/2024 Hazelton D9/446
 D1,015,074 S * 2/2024 Bodum D7/532
 11,905,082 B2 * 2/2024 Brozell A47G 19/22
 2007/0221601 A1 * 9/2007 Eitheim A61J 11/002
 215/6
 2009/0178940 A1 * 7/2009 Said A61J 9/00
 215/11.1
 2011/0266247 A1 11/2011 Littrell
 2013/0037506 A1 * 2/2013 Wahlstrom A61J 1/2093
 215/6
 2017/0101252 A1 * 4/2017 Acott A47J 31/407
 2018/0168930 A1 * 6/2018 Tunesi A61J 1/18
 2019/0009969 A1 * 1/2019 Kite B65D 81/3211
 2020/0391928 A1 * 12/2020 Willis B65B 7/28
 2023/0063501 A1 * 3/2023 Naweed B65D 81/3211

FOREIGN PATENT DOCUMENTS

JP D1592384 * 12/2017
 JP D1627733 * 3/2019

JP D1721233 * 8/2022
 JP D1726217 * 9/2022
 JP D1741989 * 4/2023
 KR 301004265.0000 * 4/2019
 KR 301199940.0000 * 1/2023
 WO WOD226865-001 * 10/2023

OTHER PUBLICATIONS

Beast [online] URL: <https://thebeast.com/products/hydration-system?variant=38188042453183> (site visited: Dec. 29, 2023) (Year: 2020).*

Huckberry [online] URL: <https://huckberry.com/store/alex-bottle/category/p/41549-easy-to-clean-water-bottle> (site visited: Dec. 29, 2023) (Year: 2023).*

You Design A Gift [online] URL: <https://youdesignagift.com/product/water-bottles-with-snack-cup-13-oz/> (site visited: Dec. 29, 2023) (Year: 2020).*

Ifdesign [online] URL: <https://ifdesign.com/en/winner-ranking/project/infuser-water-bottle/204305> (site visited: Dec. 29, 2023) (Year: 2017).*

Lexlion [online] URL: <https://www.amazon.com/Diffuser-Thermal-Insulated-Stainless-Silicone-Cleaning/dp/B092Q631KZ> (site visited: Mar. 23, 2024) (Year: 2022).*

Travah [online] URL: <https://www.amazon.com/Tumbler-Diversion-Stainless-Valuables-Insulated/dp/B07MGWB4TL> (site visited: Mar. 23, 2024) (Year: 2018).*

Bindle [online] URL: <https://www.kickstarter.com/projects/1452419892/bindle-bottle-stainless-h2o-bottle-with-integrated> (site visited: Mar. 23, 2024) (Year: 2017).*

* cited by examiner

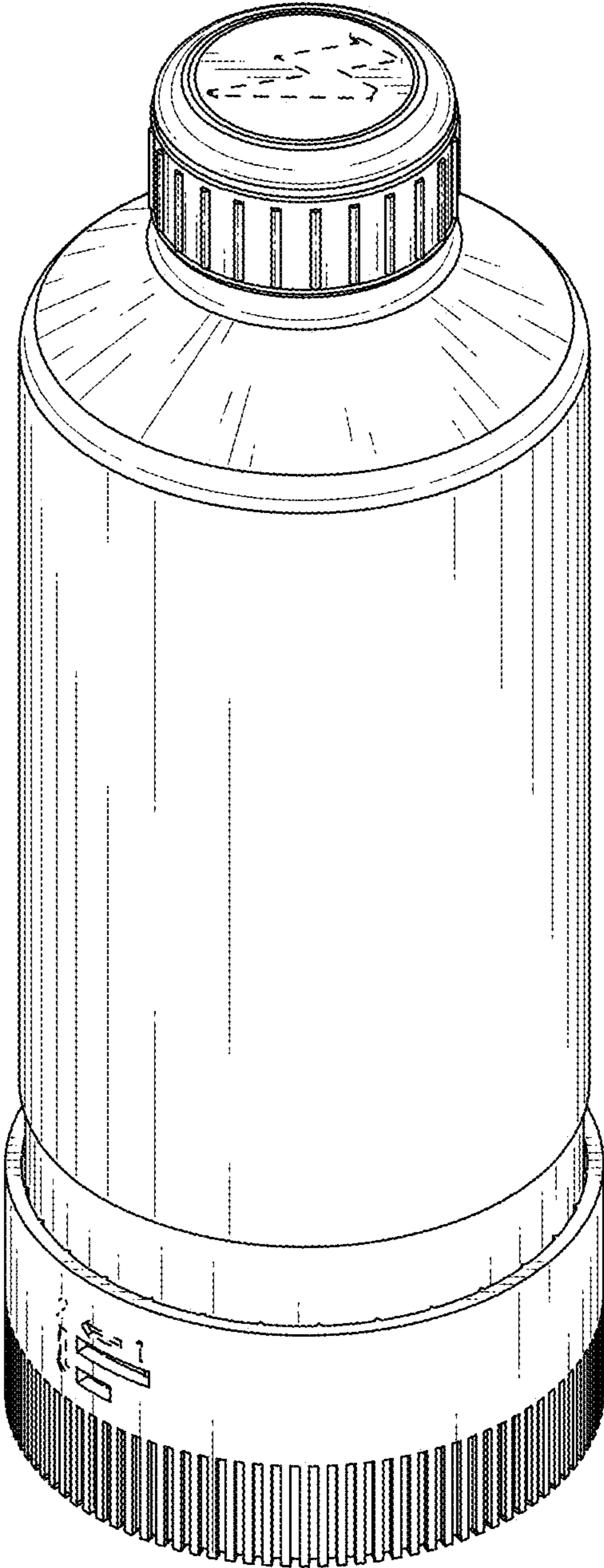


FIG. 1

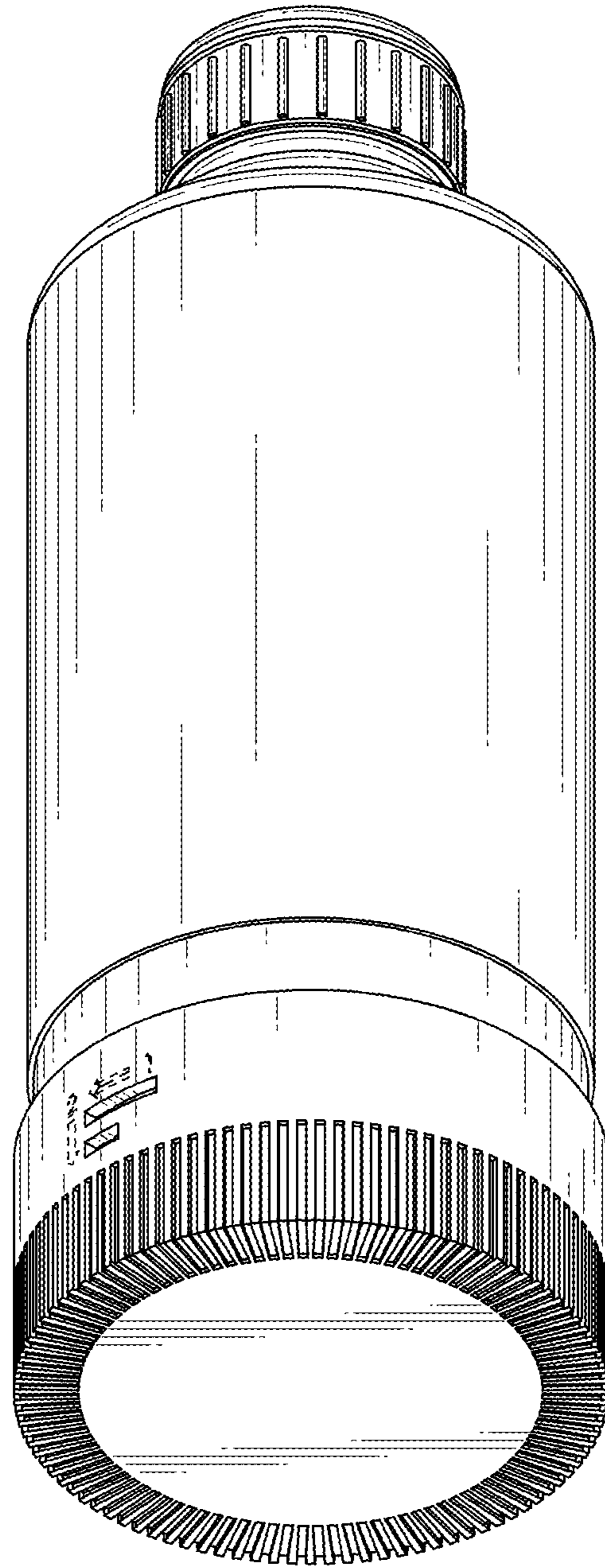


FIG. 2

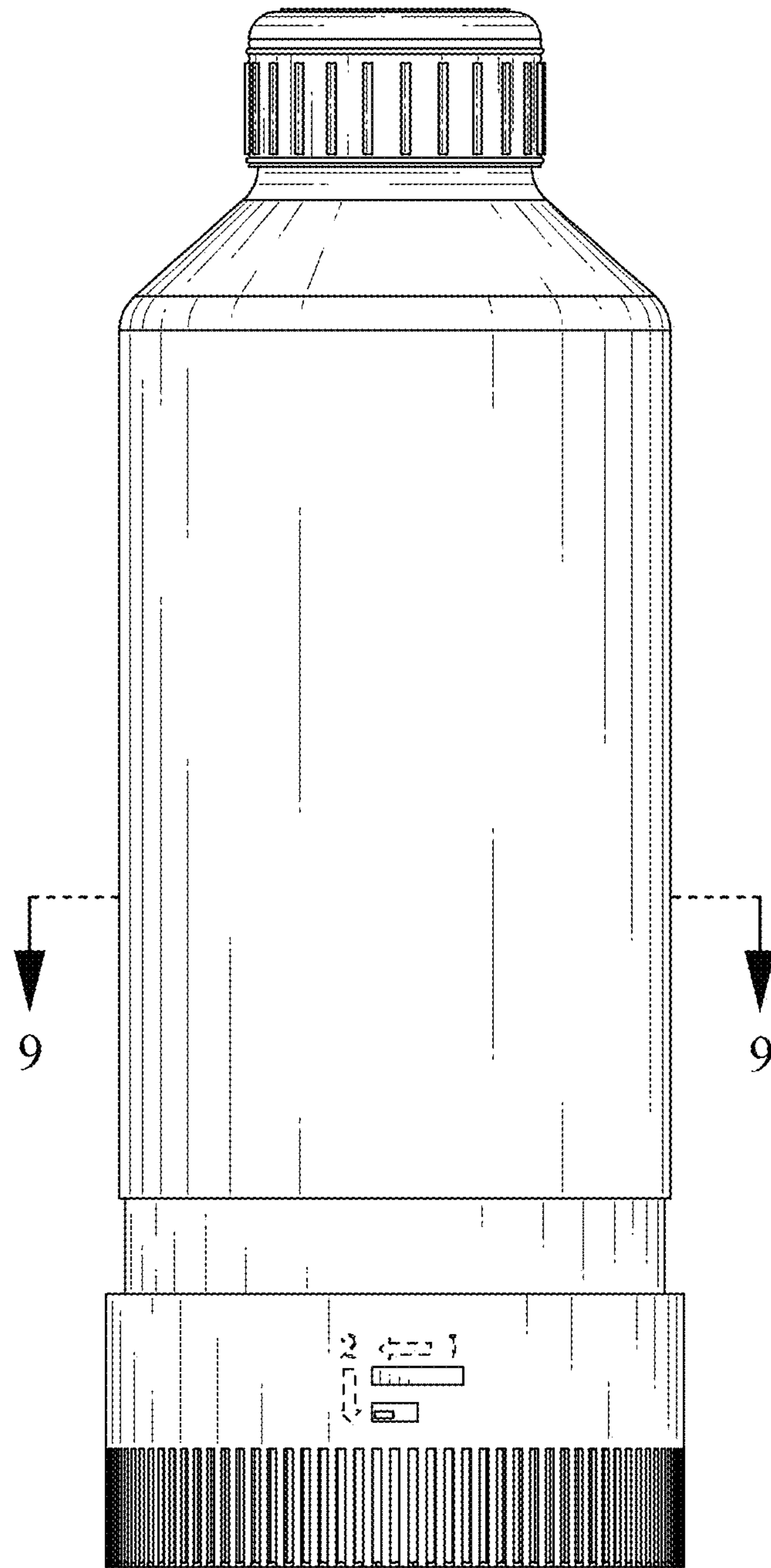


FIG. 3

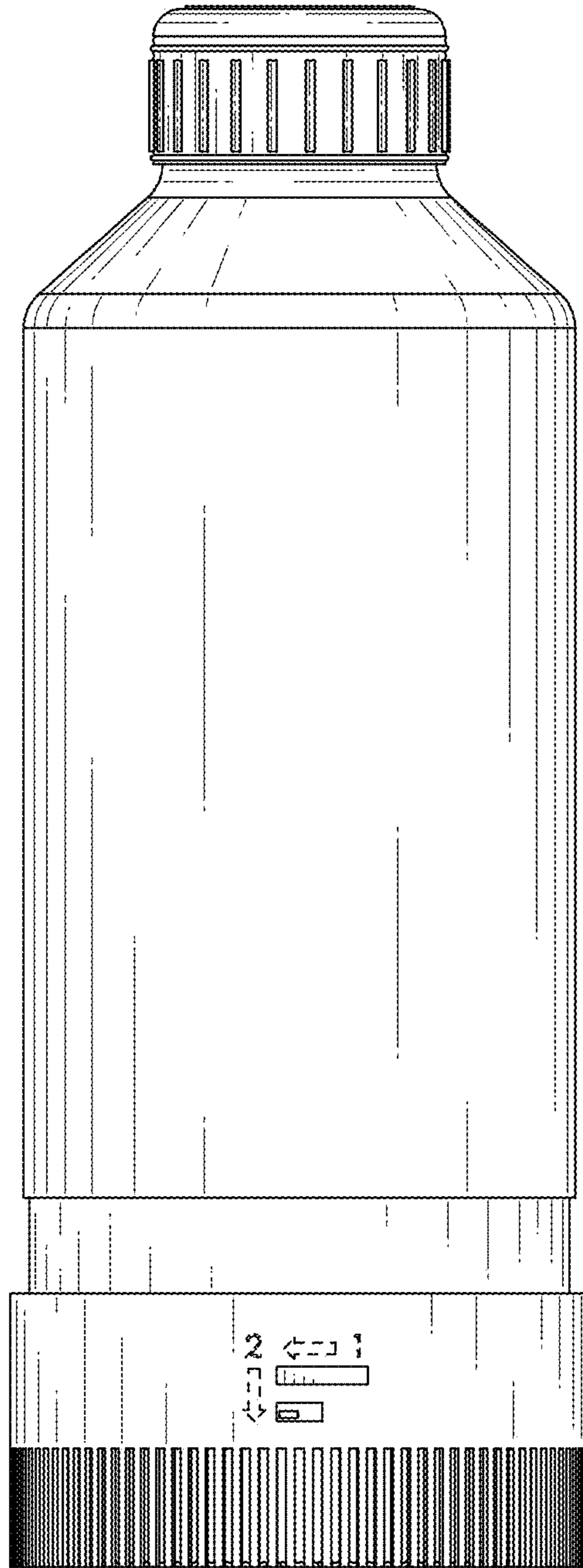


FIG. 4

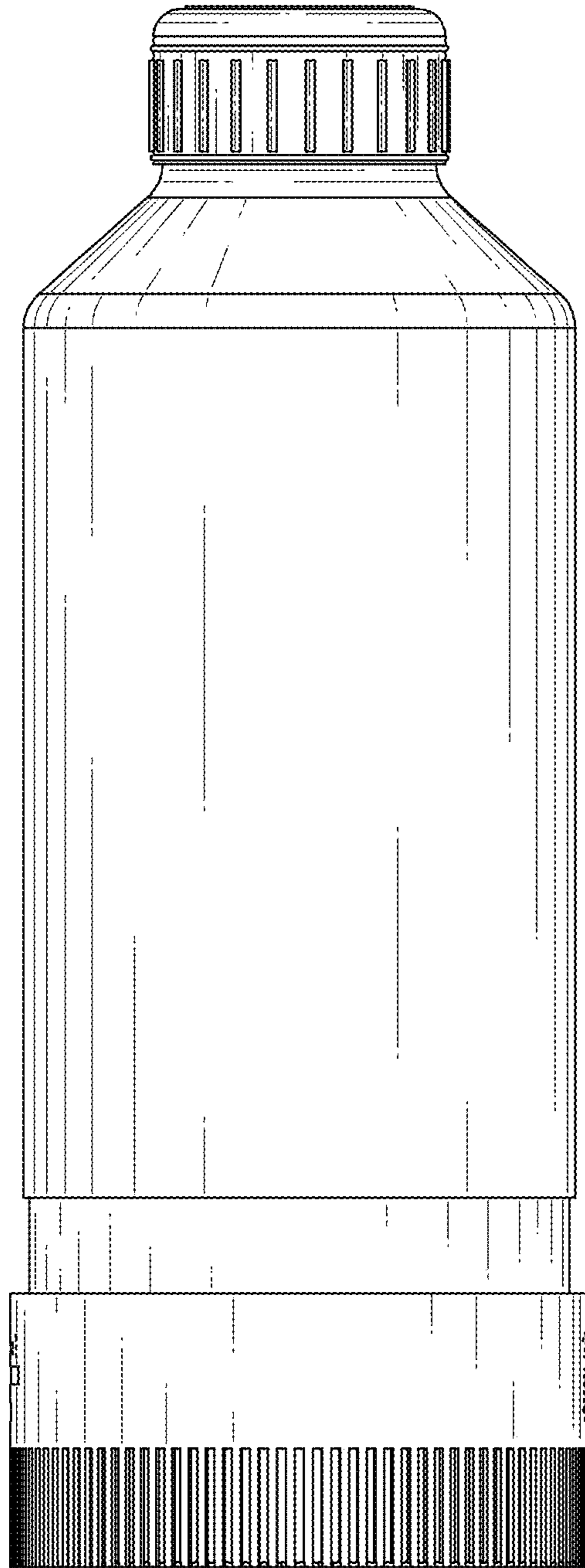


FIG. 5

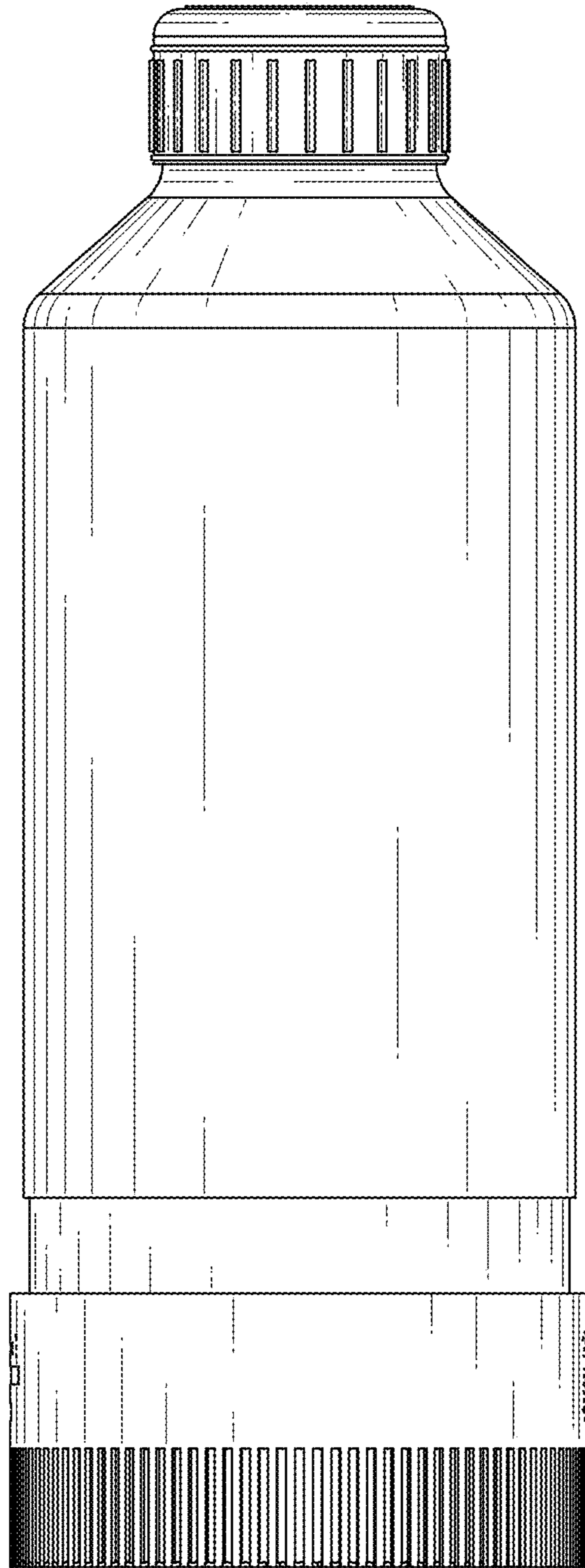


FIG. 6

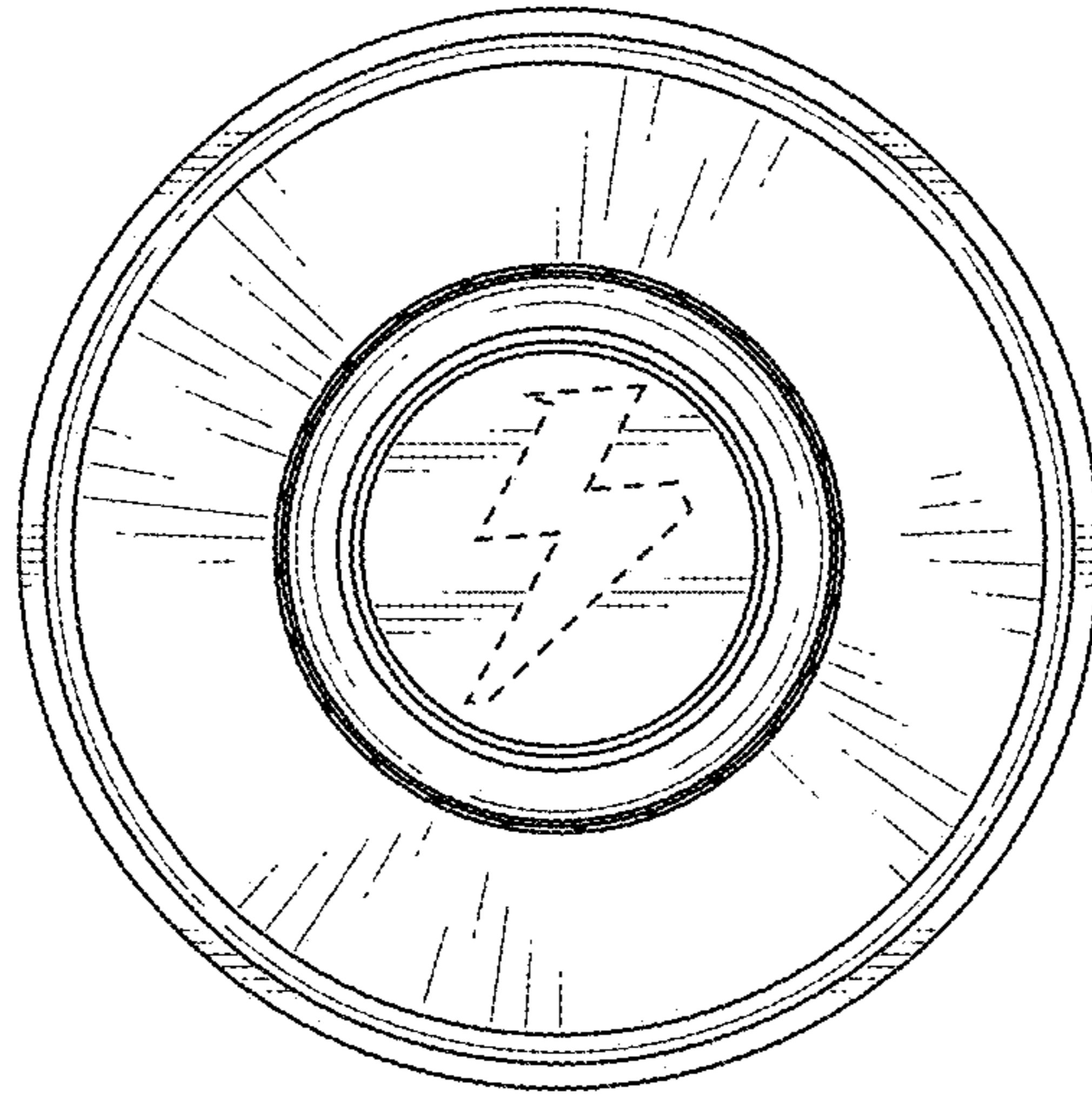


FIG. 7

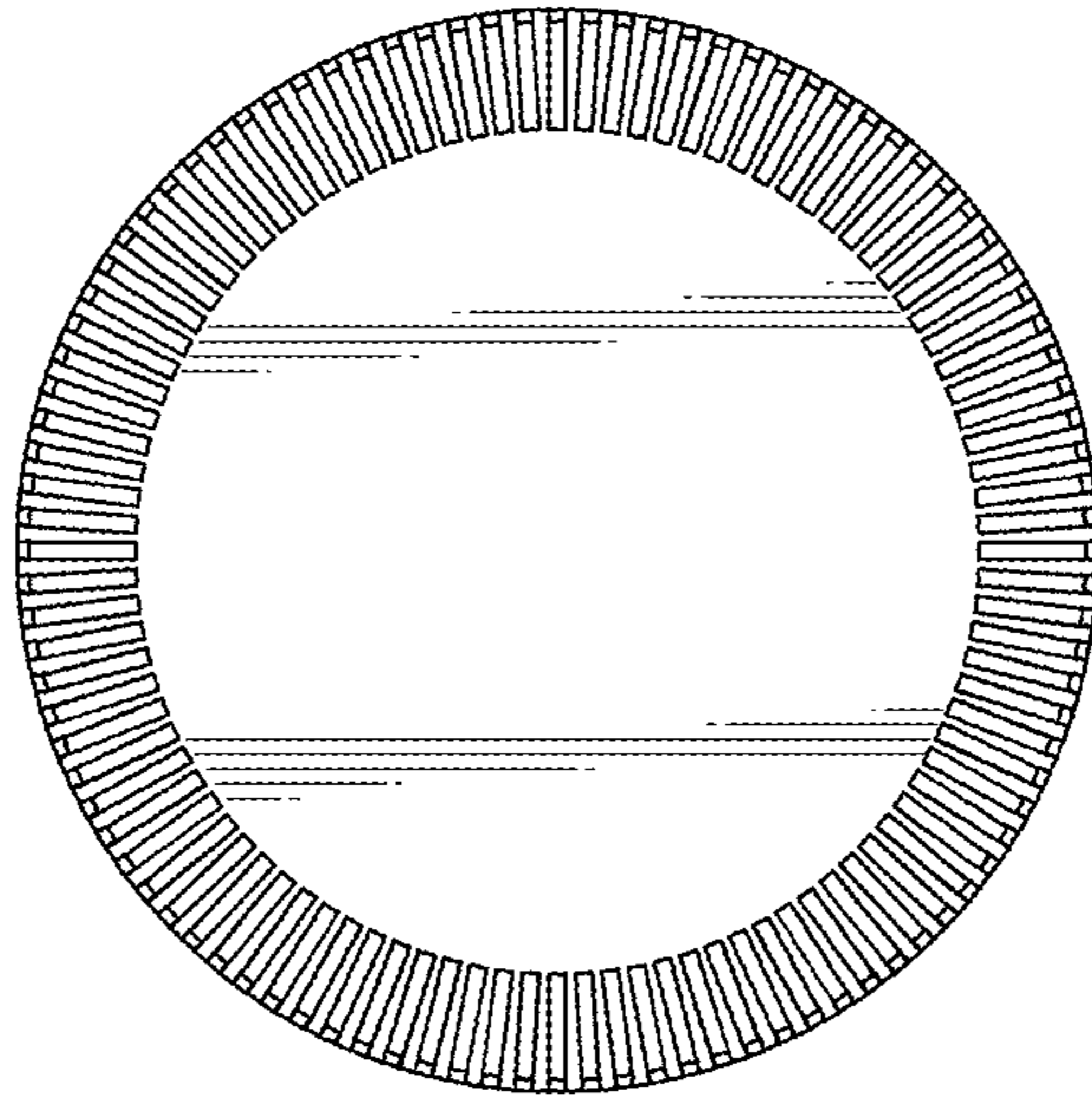


FIG. 8

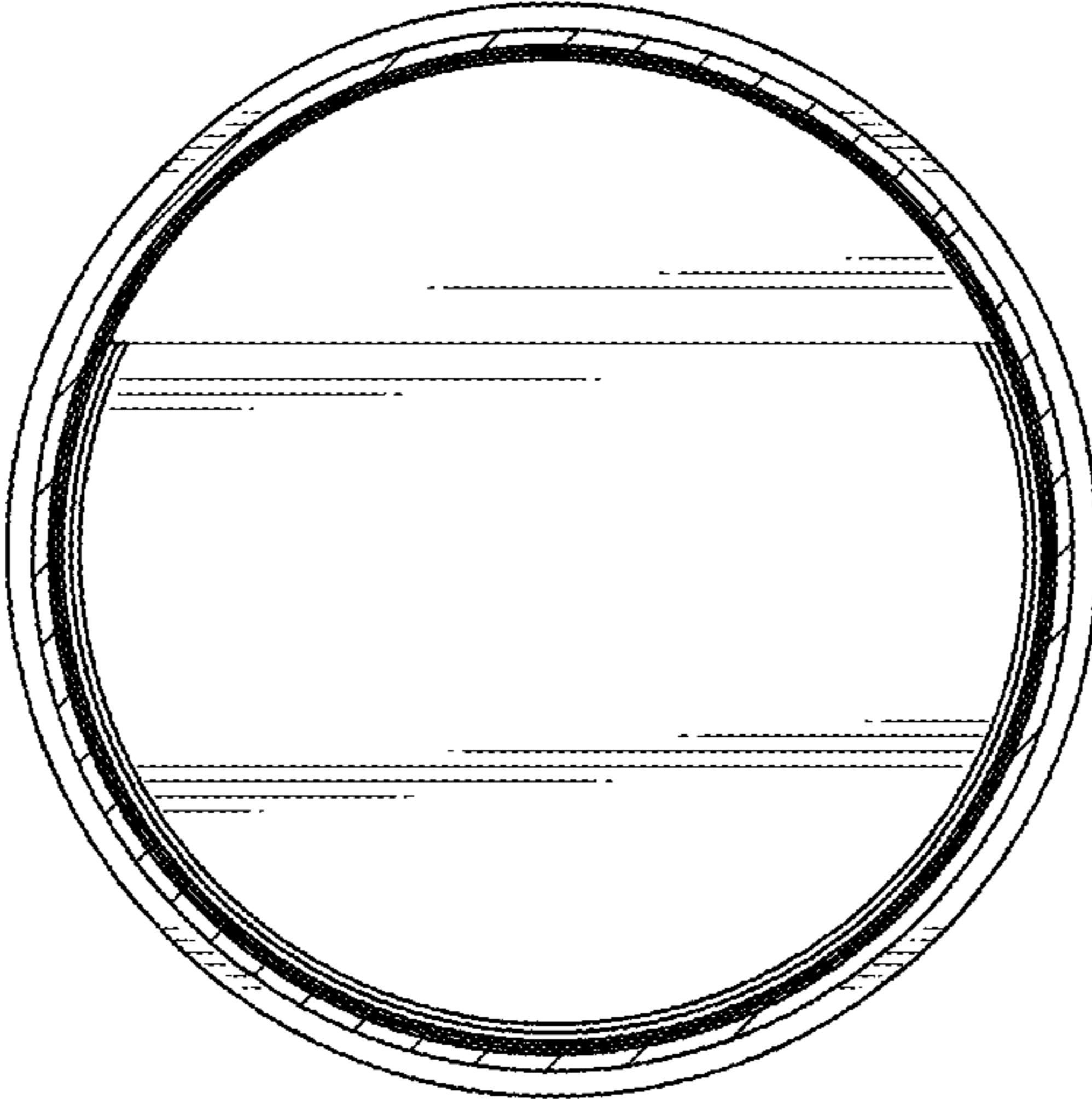


FIG. 9

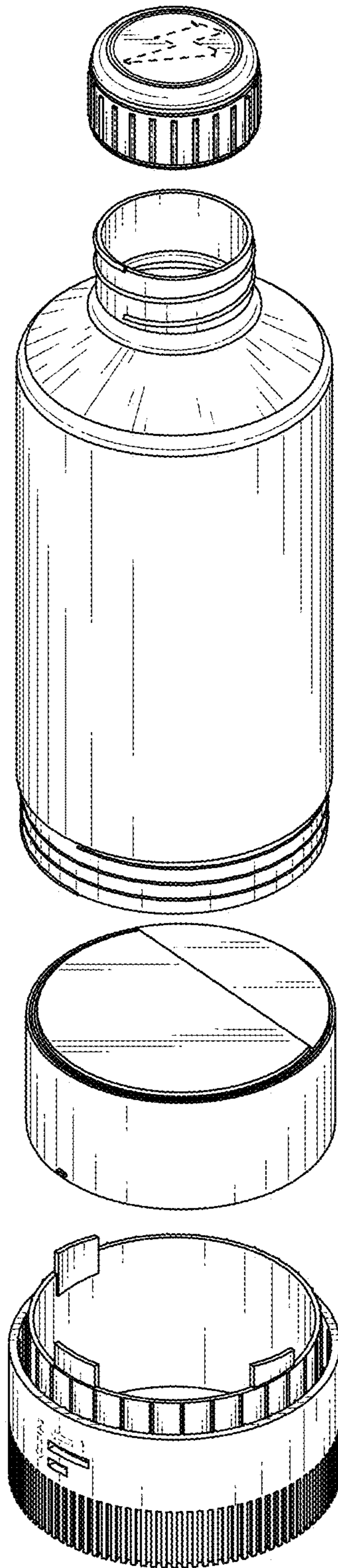


FIG. 10

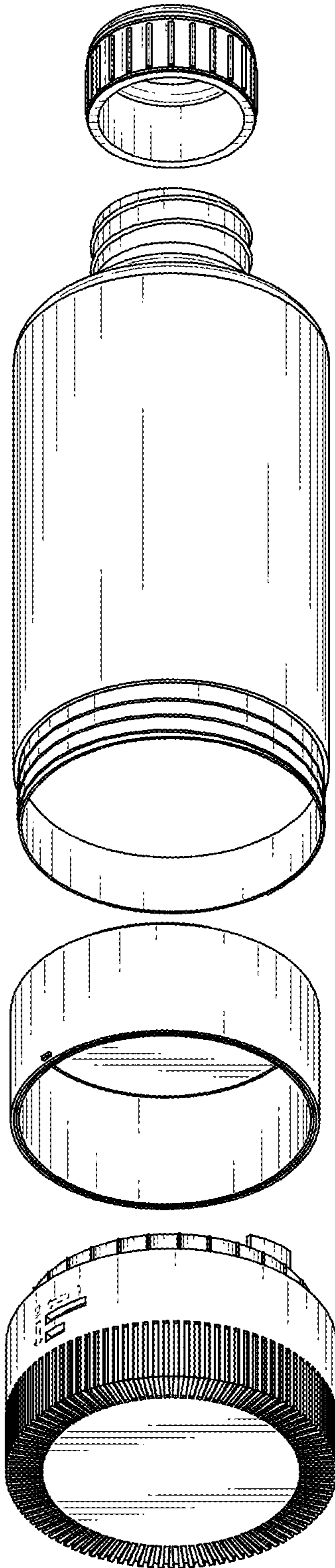


FIG. 11