



US0D1033970S

(12) **United States Design Patent** (10) **Patent No.:** **US D1,033,970 S**
Wallander et al. (45) **Date of Patent:** **** *Jul. 9, 2024**

(54) **TOWEL RACK**

FOREIGN PATENT DOCUMENTS

(71) Applicant: **Vistarock Holdings LLC**, Keller, TX (US)

CN 306304227 * 1/2021
CN 306581870 * 6/2021
CN 307672241 * 11/2022
CN 308310346 * 11/2023

(72) Inventors: **James Wallander**, Keller, TX (US);
David Block, Brooklyn, NY (US)

OTHER PUBLICATIONS

(73) Assignee: **Vistarock Holdings LLC**, Keller, TX (US)

Pickpiff Free-Standing Towel Rack, posted Feb. 25, 2023 [online], [retrieved Nov. 29, 2023]. Retrieved from internet, <https://www.amazon.com/Pickpiff-Free-Standing-Platform-Washcloths-Organizer/dp/B0BWV2XG1P> (Year: 2023).*

(*) Notice: This patent is subject to a terminal disclaimer.

(Continued)

(**) Term: **15 Years**

Primary Examiner — Cynthia Ramirez
Assistant Examiner — Jeremy S. Swartz

(21) Appl. No.: **29/838,175**

(74) *Attorney, Agent, or Firm* — Barnes & Thornburg LLP; Jerry C. Harris, Jr.

(22) Filed: **May 11, 2022**

(51) **LOC (14) Cl.** **23-08**

(57) **CLAIM**

(52) **U.S. Cl.**
USPC **D6/549**

The ornamental design for a towel rack, as shown and described.

(58) **Field of Classification Search**
USPC D6/549, 410, 411, 486, 449, 512, 548, D6/518-527, 681-683, 677.1; D7/388
CPC B65H 16/02; A47K 10/38; A47K 10/42; A47F 5/04; A47F 5/0876; A47F 5/10; A47F 7/02
See application file for complete search history.

DESCRIPTION

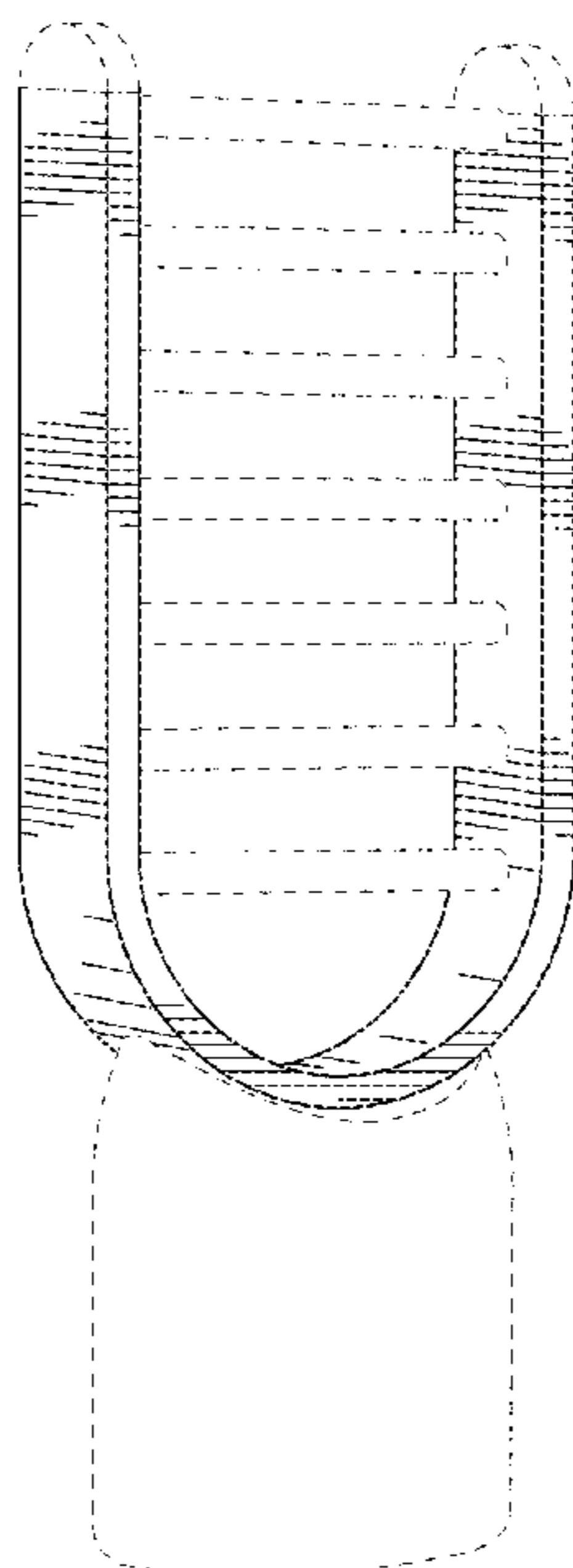
FIG. 1 is a front perspective view of a towel rack in accordance with our design;
FIG. 2 is a rear perspective view thereof;
FIG. 3 is a front elevation view thereof, wherein the rear elevation view is identical;
FIG. 4 is a right side elevation view thereof, wherein the left side elevation view is identical;
FIG. 5 is a top plan view thereof; and,
FIG. 6 is a bottom plan view thereof.
The broken lines in the figure are included to show portions of the towel rack that are not part of the claimed design; and the dash-dot broken lines in FIGS. 1, 2, 3, and 4 demarcate a boundary and form no part of the claimed design.

(56) **References Cited**

U.S. PATENT DOCUMENTS

D546,013 S * 7/2007 Pong D32/58
10,988,892 B1 * 4/2021 Lu A47G 25/0664
D966,018 S * 10/2022 Huang D6/681.2
D966,740 S * 10/2022 Wu D6/548
D999,556 S * 9/2023 Wang D6/681.2
D1,000,862 S * 10/2023 Zhang D6/548
D1,003,074 S * 10/2023 Mai D6/681.2

1 Claim, 5 Drawing Sheets



(56)

References Cited

OTHER PUBLICATIONS

Bamboo Standing Towel Rack, posted Aug. 19, 2022 [online], [retrieved Nov. 29, 2023]. Retrieved from internet, <https://www.amazon.com/Bamboo-Standing-3-Tier-Bathroom-Balcony/dp/B0BB79S6FH> (Year: 2022).*

Freestanding Towel Rack, posted Mar. 22, 2022 [online], [retrieved Nov. 29, 2023]. Retrieved from internet, <https://www.amazon.com/Freestanding-Silver-Tone-Madison-Products-MH10082/dp/B09W68TZFX> (Year: 2022).*

Lucite Freestanding U Shape Towel Rack, posted unknown [online], [retrieved Nov. 29, 2023]. Retrieved from internet, <https://clearhomedesign.com/lucite-freestanding-u-shape-towel-rack/> (Year: 2023).*

* cited by examiner

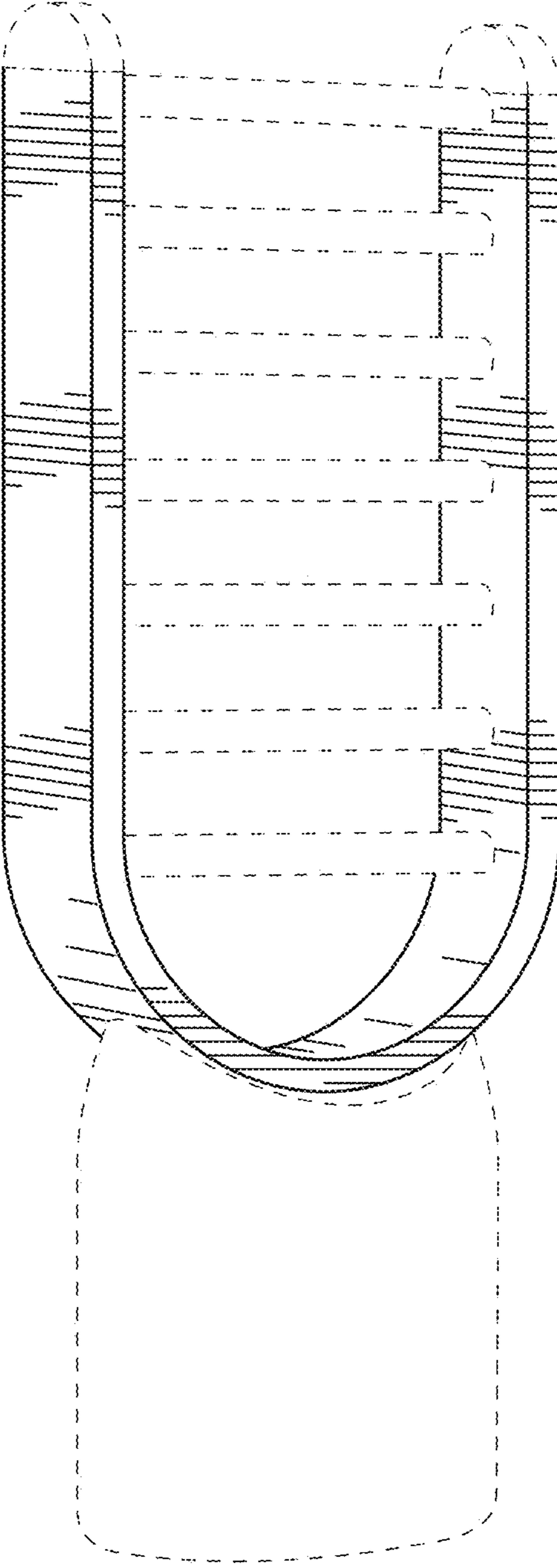


FIG. 1

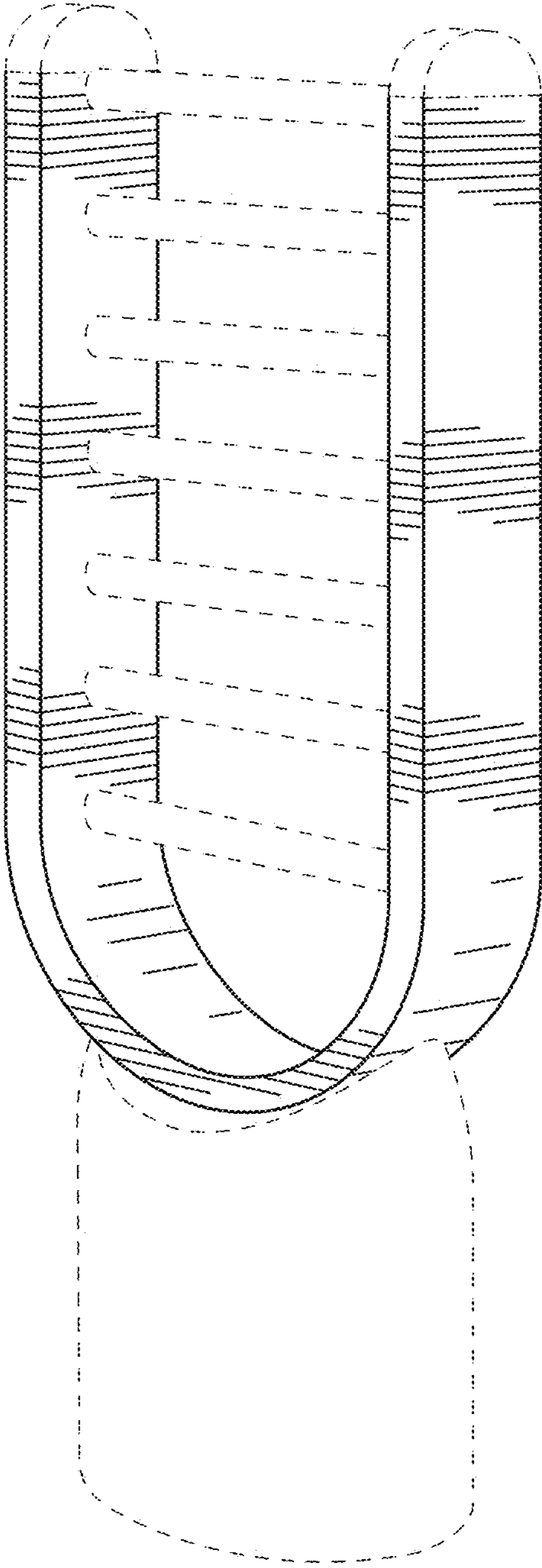


FIG. 2

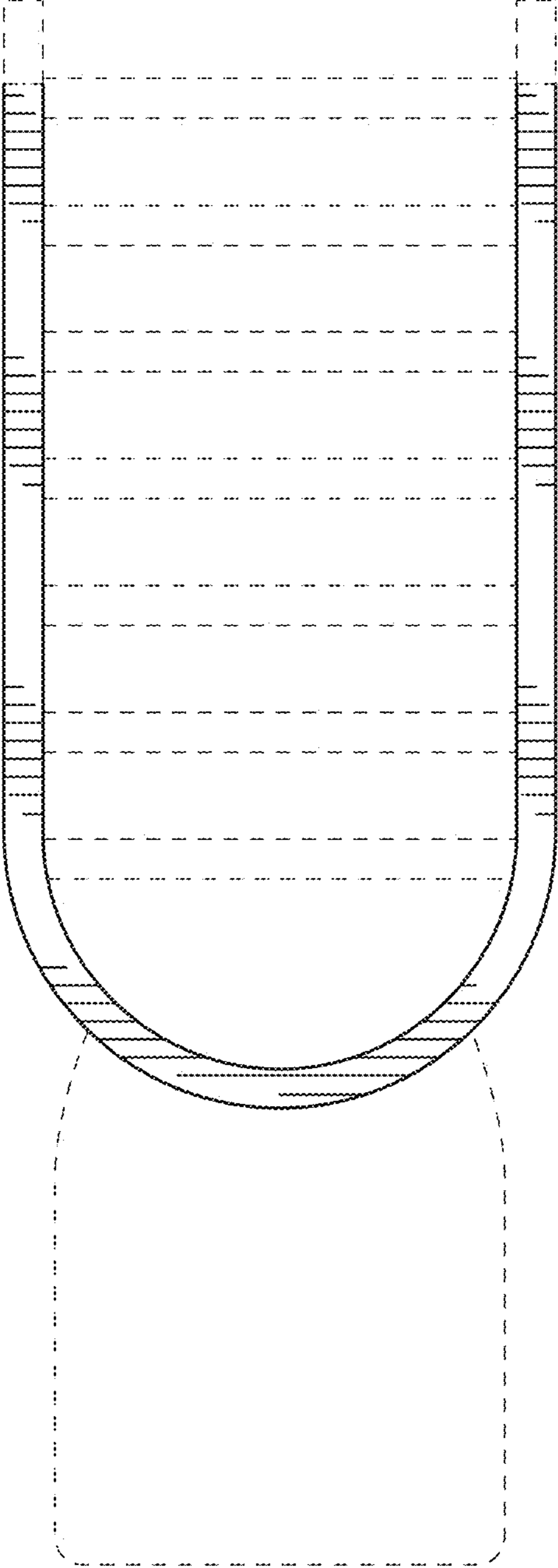


FIG. 3

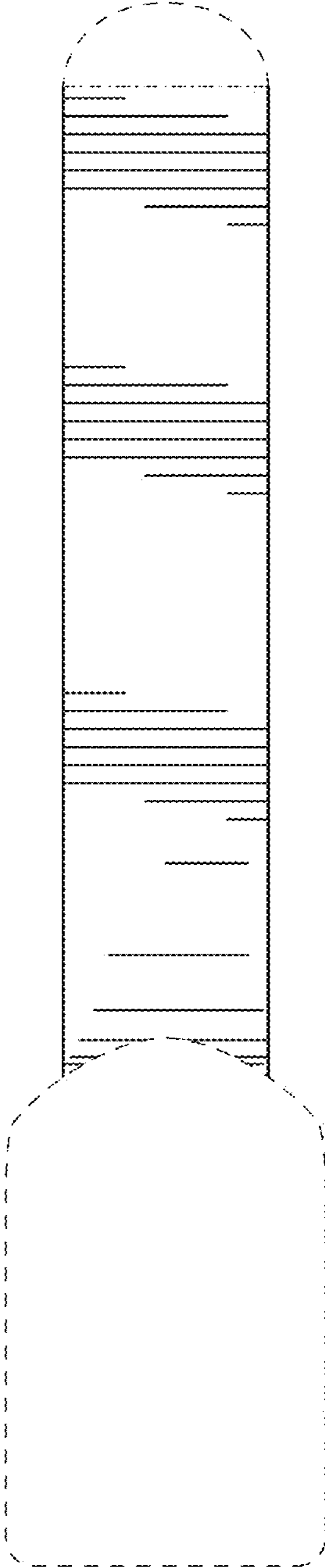


FIG. 4

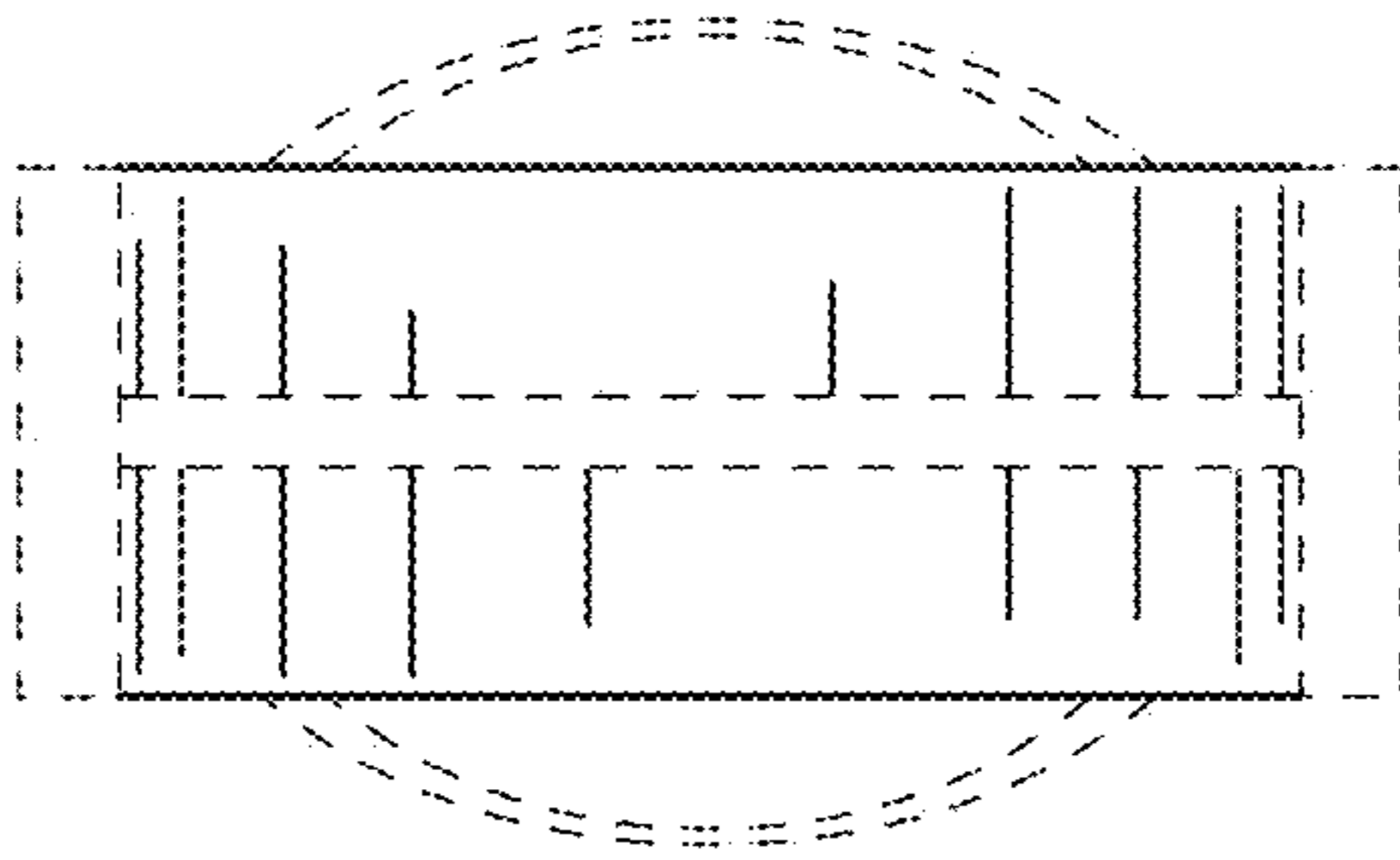


FIG. 5

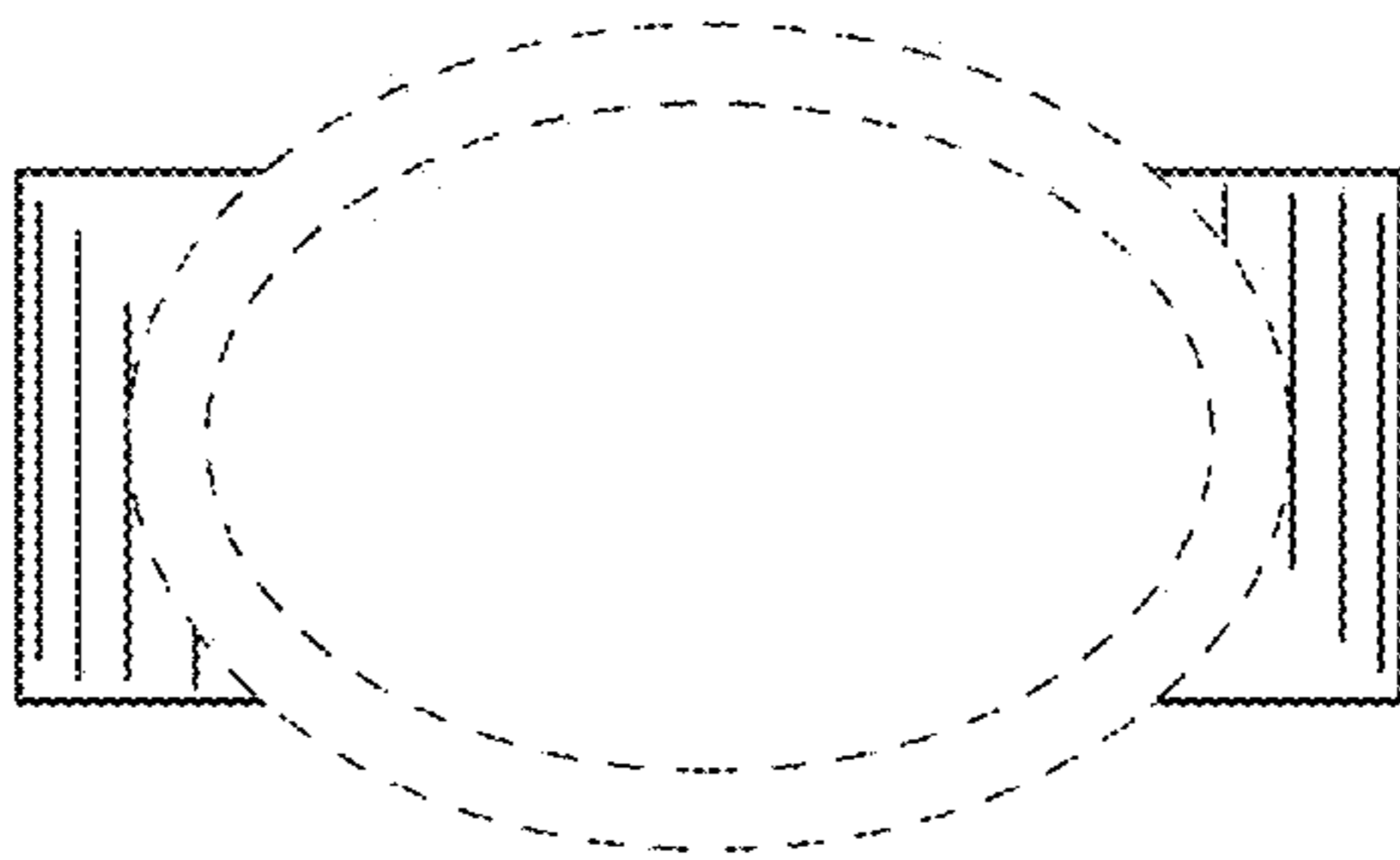


FIG. 6