



US0D1033966S

(12) **United States Design Patent** (10) **Patent No.:** **US D1,033,966 S**
Steelman (45) **Date of Patent:** **** Jul. 9, 2024**

(54) **SOAP DISH**

(71) Applicant: **Addison Steelman**, Corinth, TX (US)
(72) Inventor: **Addison Steelman**, Corinth, TX (US)
(73) Assignee: **SimplyFortuity LLC**, Flower Mound, TX (US)
(**) Term: **15 Years**
(21) Appl. No.: **29/790,678**
(22) Filed: **Dec. 8, 2021**
(51) **LOC (14) Cl.** **23-08**
(52) **U.S. Cl.**
USPC **D6/536**
(58) **Field of Classification Search**
USPC D6/536, 537, 512, 524, 538, 539, 540;
211/66, 70, 71, 88; 206/77.1; 248/311.2,
248/309.1, 314
CPC A47K 5/02; A47K 1/08
See application file for complete search history.

(56) **References Cited**

U.S. PATENT DOCUMENTS

D154,646 S *	7/1949	Travis	D6/536
D174,598 S *	4/1955	Russell	D6/536
D240,784 S *	8/1976	Beauchamp	D6/536
D286,354 S *	10/1986	Bussell	D6/536
4,993,546 A *	2/1991	Southard	A47K 1/08
				D6/532
D385,137 S *	10/1997	von Seidel	D6/536
D408,187 S *	4/1999	Forcella, Jr.	D6/540
D704,954 S *	5/2014	Lee	D6/536

FOREIGN PATENT DOCUMENTS

GB	2057372	*	10/1996
GB	6105672	*	11/2020
GB	6116868	*	2/2021
HK	2219323-0001	*	1/2022

OTHER PUBLICATIONS

ISoapStone Silicone Soap Dish, posted Sep. 20, 2021 [online], [retrieved Sep. 26, 2023]. Retrieved from internet, <https://www.amazon.com/iSoapStone-Silicone-Soap-Dishwashing-Accessories/dp/B0B37XMP4F?th=1> (Year: 2021).*
Samzareulo Samzareulo Silicone Soap Dish, posted Dec. 20, 2021 [online], [retrieved Sep. 26, 2023]. Retrieved from internet, <https://www.amazon.com/SAMZAREULO-Silicone-Soap-Saver-Holder/dp/B09NW5VYNR?th=1> (Year: 2021).*

(Continued)

Primary Examiner — Cynthia Ramirez
Assistant Examiner — Jeremy S. Swartz
(74) *Attorney, Agent, or Firm* — Dunlap Bennett & Ludwig, PLLC; Anna L. Kinney

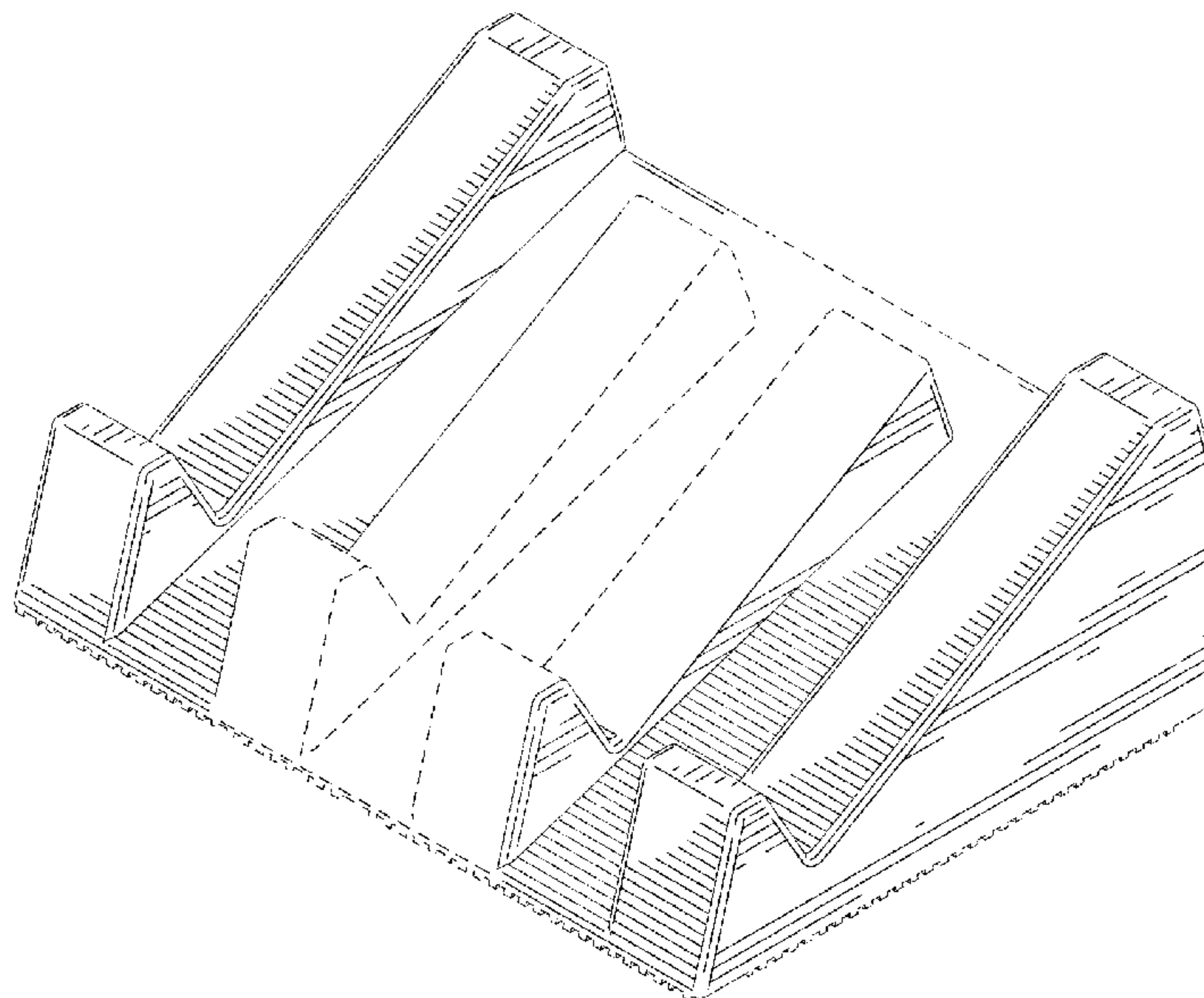
(57) **CLAIM**

The ornamental design for a soap dish, as shown and described.

DESCRIPTION

FIG. 1 is a top front perspective view of a soap dish, showing my new design;
FIG. 2 is bottom front perspective view thereof;
FIG. 3 is a front elevation view thereof;
FIG. 4 is a rear elevation view thereof;
FIG. 5 is a top plan view thereof;
FIG. 6 is a bottom plan view thereof; and,
FIG. 7 is a right side elevation view thereof, with the left side elevation view being a mirror image thereof.
The broken lines shown in the drawings depict portions of the article that form no part of the claimed design.

1 Claim, 4 Drawing Sheets



(56)

References Cited

OTHER PUBLICATIONS

2Pcs Meye Self Draining Soap Dishes, posted Jul. 21, 2021 [online], [retrieved Sep. 26, 2023]. Retrieved from internet, <https://www.amazon.com/Draining-Premium-Silicone-Bathroom-Kitchen/dp/B082VHRRPZ> (Year: 2021).*

Silicone Soap Dish Self Draining, posted Nov. 17, 2021 [online], [retrieved Sep. 26, 2023]. Retrieved from internet, <https://www.amazon.com/Silicone-Draining-Waterfall-Bathroom-Accessories/dp/B09WMTXQ79?th=1> (Year: 2021).*

Soap Dish with Slanted Waterfall Design, posted unknown [online], [retrieved Sep. 26, 2023]. Retrieved from internet, <https://www.amazon.com/HTB-Waterfall-Bathroom-Kitchen-Counter/dp/B07VXWMXWM?th=1> (Year: 2023).*

SunnyPoint Classic Kitchen, posted unknown [online], [retrieved Sep. 26, 2023]. Retrieved from internet, <https://www.walmart.com/>

[ip/SunnyPoint-Classic-Kitchen-Bathroom-Faux-Marble-Soap-Sponge-Dish-Drainer-Holder/1362938253](https://www.walmart.com/ip/SunnyPoint-Classic-Kitchen-Bathroom-Faux-Marble-Soap-Sponge-Dish-Drainer-Holder/1362938253) (Year: 2023).*

Silicone Soap Dish with Drain for Shower/Bathroom/Kitchen/Counter Top, posted Dec. 9, 2021 [online], [retrieved Apr. 2, 2024]. Retrieved from internet, <https://www.amazon.com/dp/B09M7FRV9M> (Year: 2021).*

Magicfour self draining soap dish for shower, silicone shower soap holder with waterfall drainers small bar soap tray drying soap saver for bathroom, Sink, bathtub(with 1 bubble net, grey). Amazon.ca: Home. (n.d.). Retrieved Jan. 28, 2022, from <https://www.amazon.ca/Magicfour-Draining-Silicone-Waterfall-Drainers/dp/B09LMC5WW5>.

Morelax Soap Dish with Drain Bar Soap Holder Self Draining for Shower Bathroom, Slanted Waterfall Soap Saver Tray, Kitchen Sink Caddy, Modern Bathroom Accessories Decor—White Marble. www.Amazon.com. (n.d.). Retrieved Jan. 28, 2022, from https://www.amazon.com/Morelax-Holder-Waterfall-Bathroom-Kitchen/dp/B08RXZHP6Q/ref=cm_cr_ar_p_d_product_top?ie=UTF8&th=1.

* cited by examiner

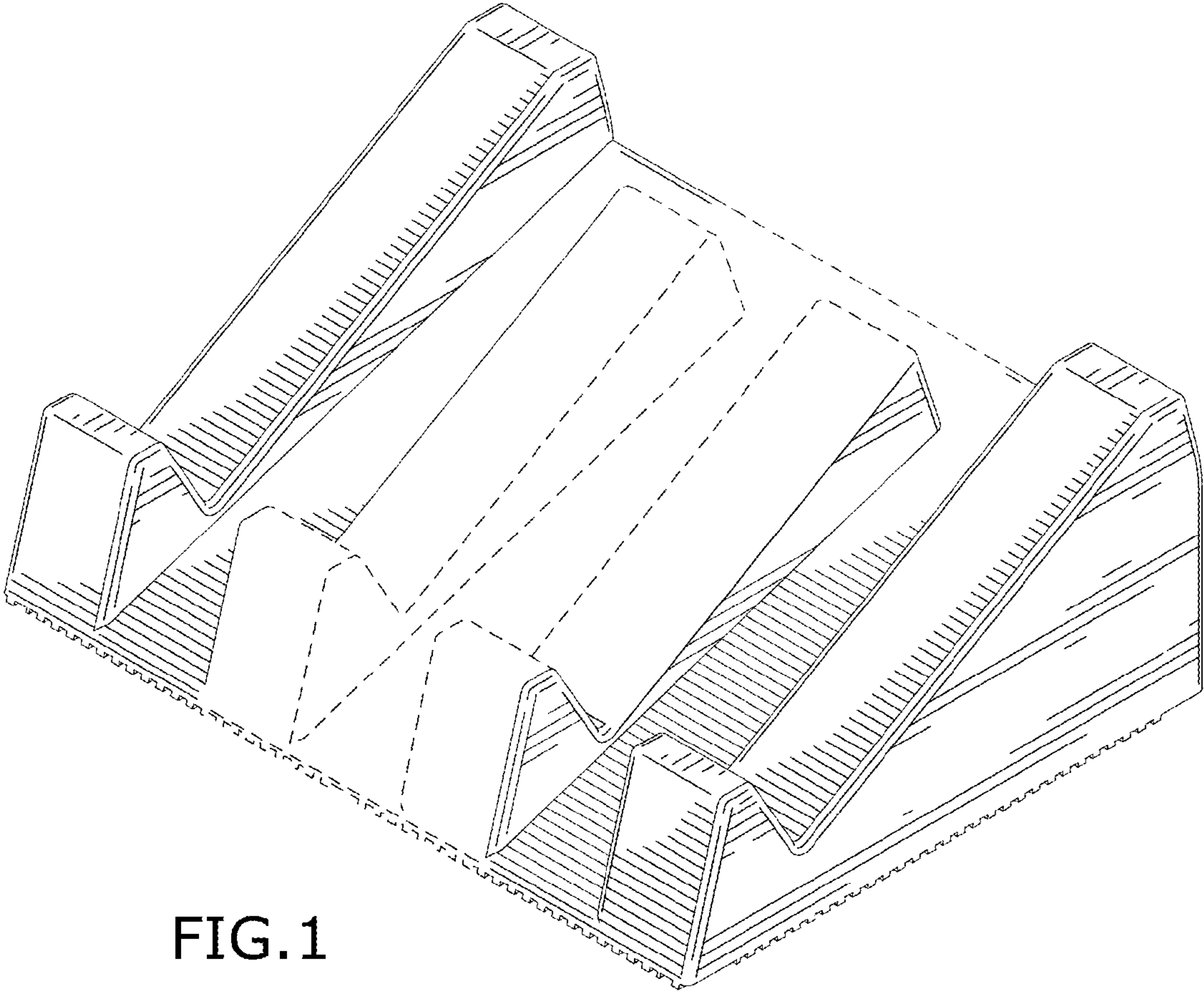


FIG. 1

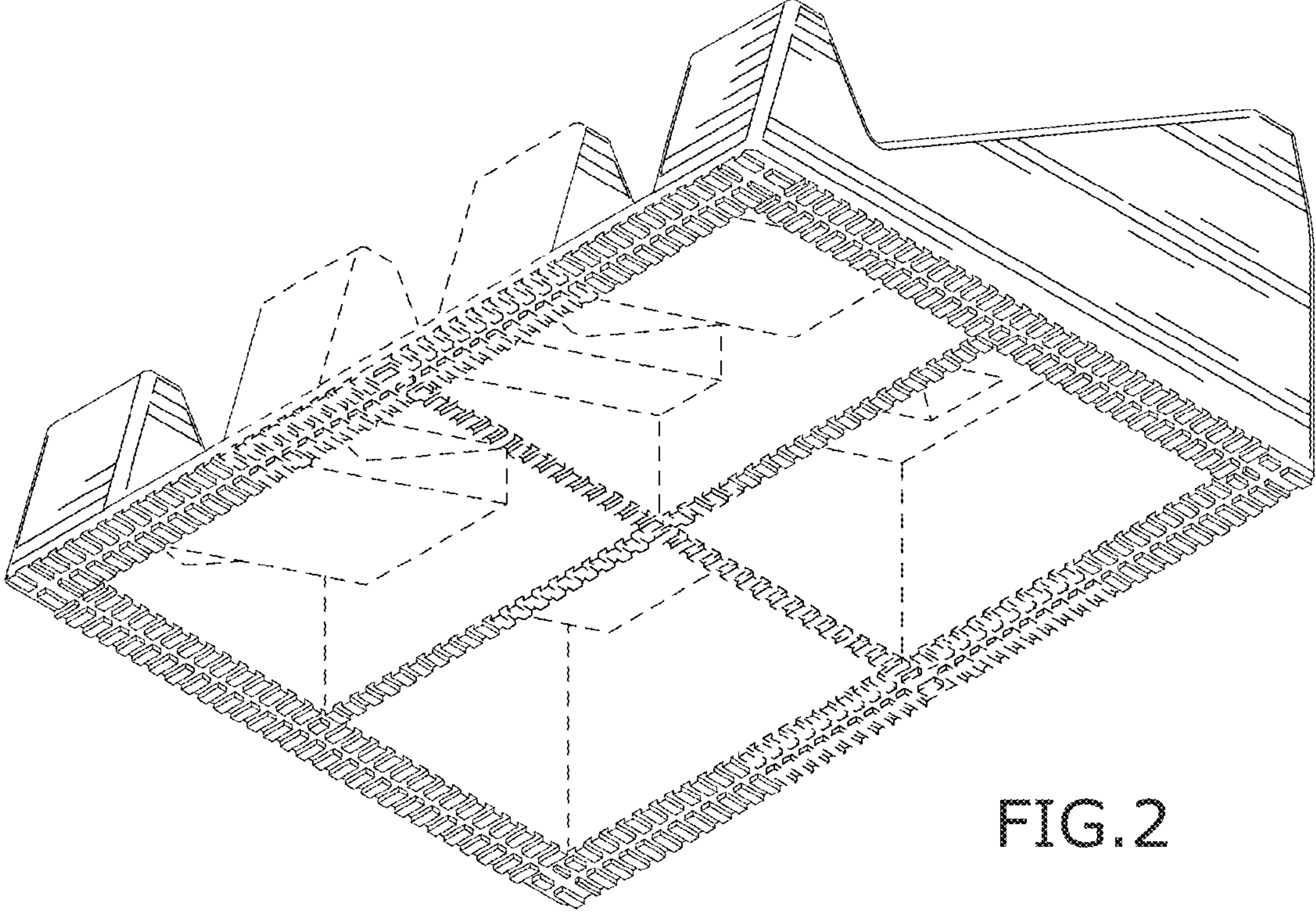


FIG. 2

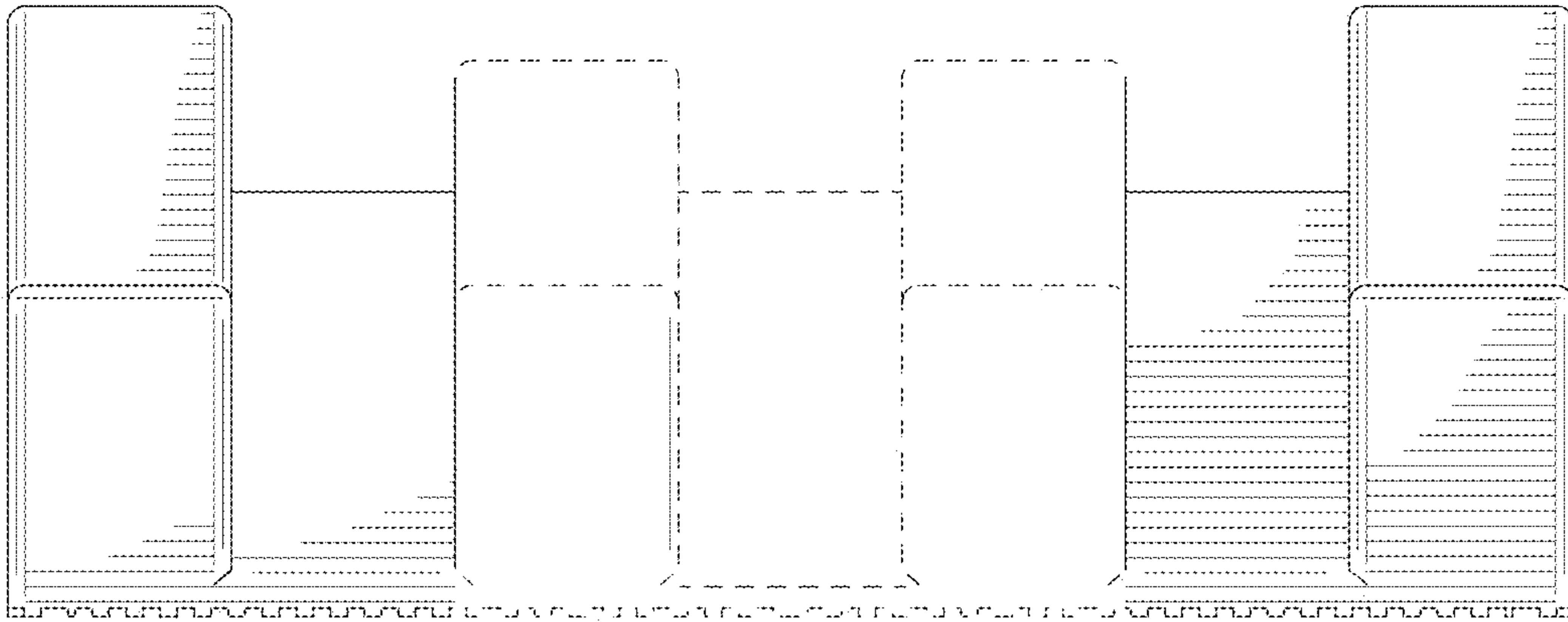


FIG. 3

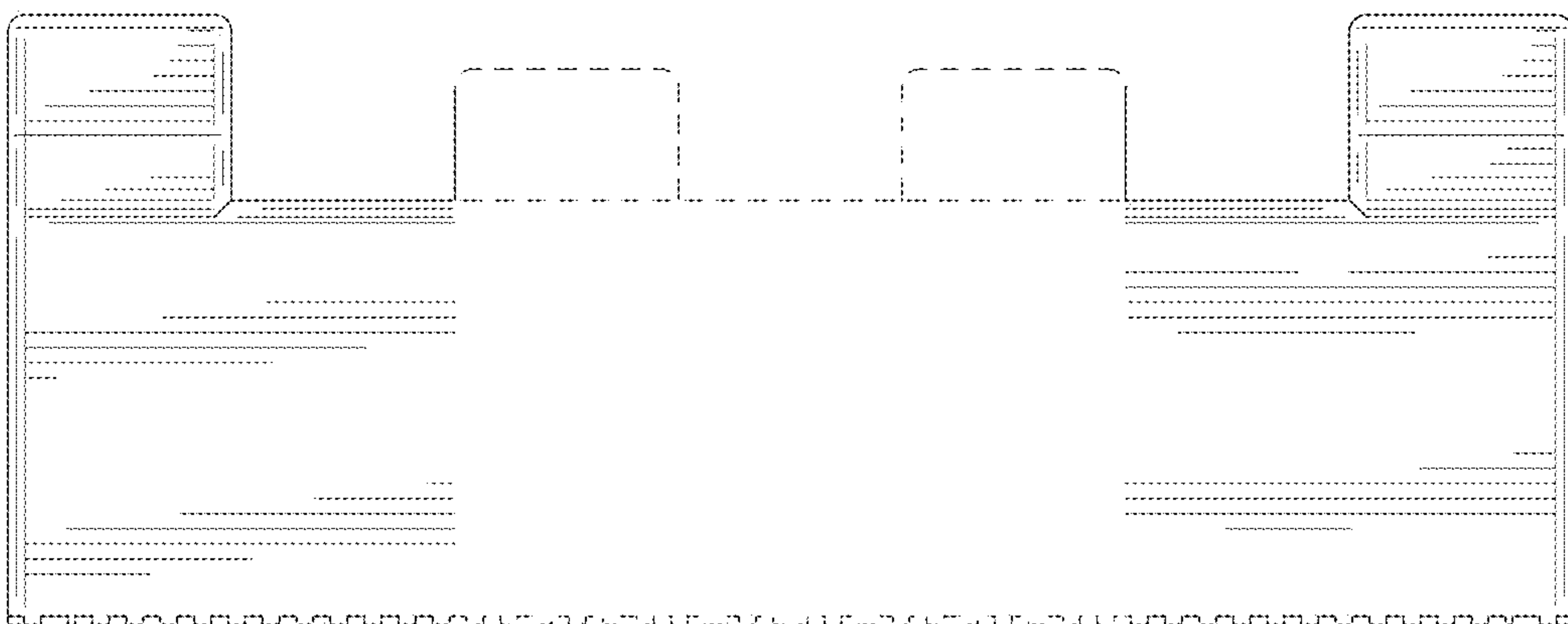


FIG. 4

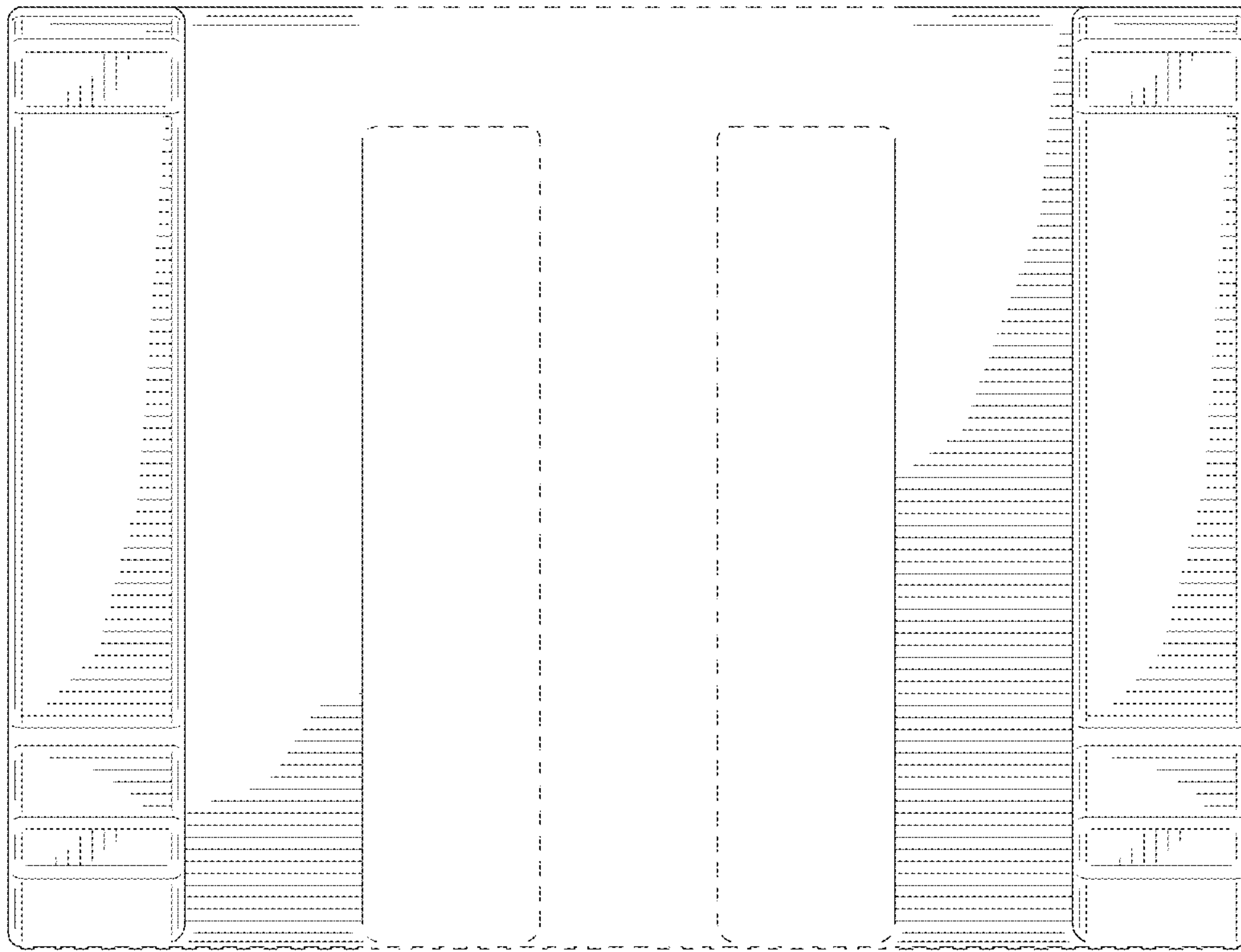


FIG. 5

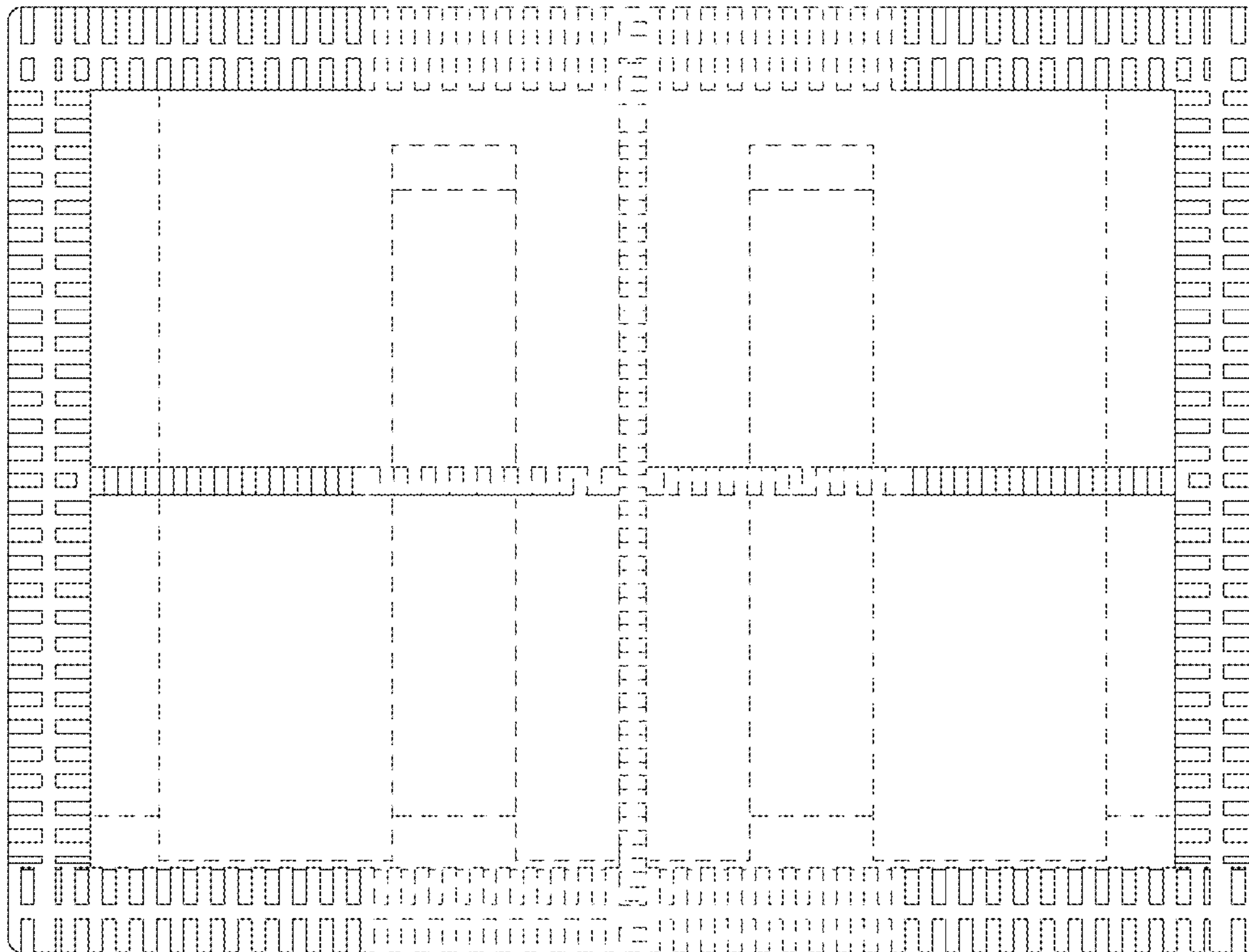


FIG. 6

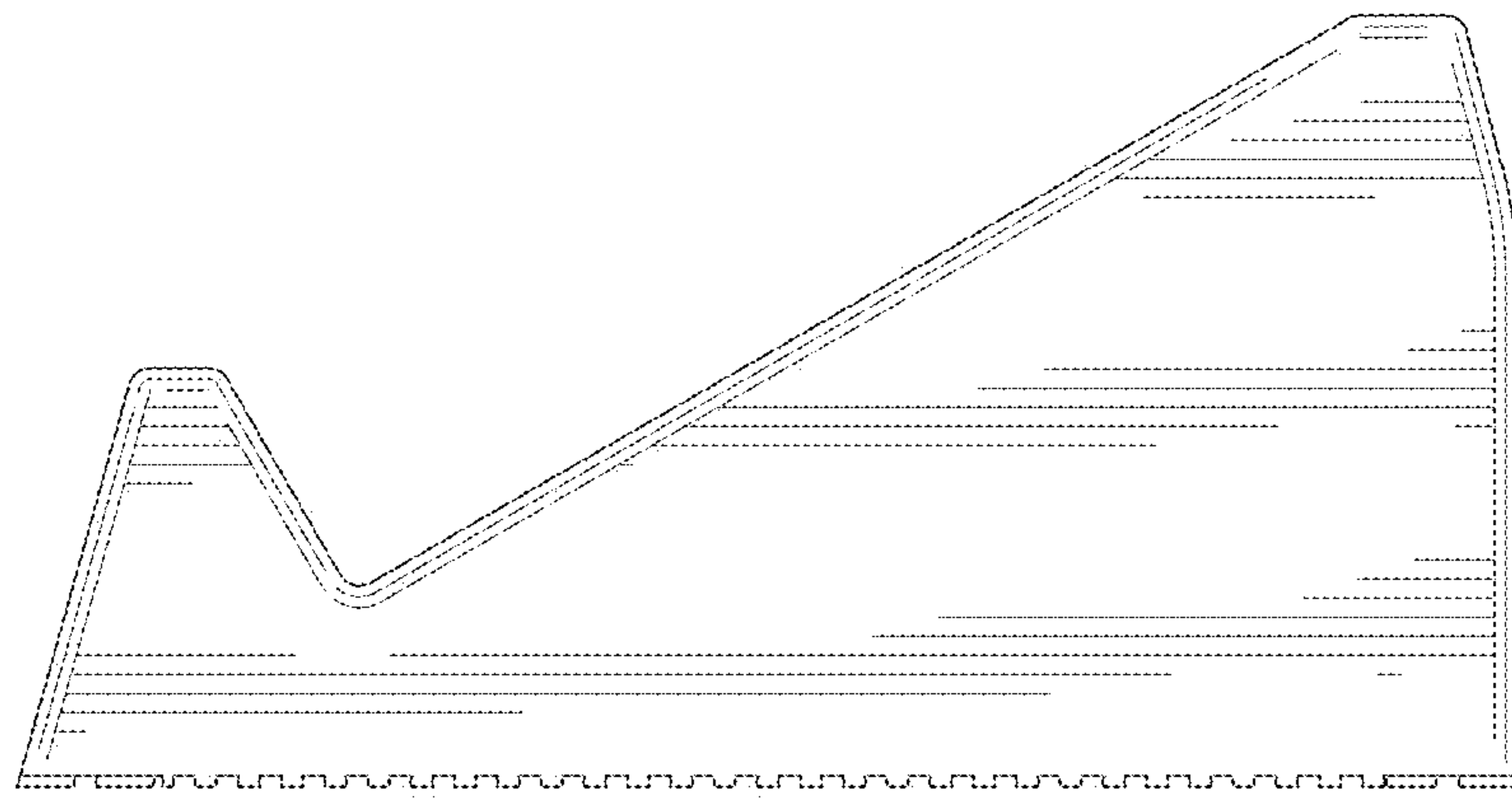


FIG. 7