



US0D1033961S

(12) **United States Design Patent** (10) **Patent No.:** **US D1,033,961 S**
Jain et al. (45) **Date of Patent:** **** Jul. 9, 2024**

(54) **DISPENSER UNIT WITH RECEPTACLE**

OTHER PUBLICATIONS

(71) Applicant: **BOBRICK WASHROOM EQUIPMENT, INC.**, North Hollywood, CA (US)

RestroomDirect, Bradley 5912-000000 Combination Dispenser & Receptacle . . . —Dec. 7, 2017, https://www.restroomdirect.com/pdf/Bradley/Bradley_CombiDispenser_5912-000000_Spec_Sheet.pdf, 2 pages, retrieved Jul. 15, 2022 (Year: 2017).

(72) Inventors: **Ketan A. Jain**, McKinney, TX (US); **David Savage**, Durant, OK (US); **Dikran Babikian**, Glendale, CA (US); **Alan Gettelman**, Burbank, CA (US)

(Continued)

Primary Examiner — Nathan M Johnston
(74) *Attorney, Agent, or Firm* — LEWIS ROCA ROTHGERBER CHRISTIE LLP

(73) Assignee: **BOBRICK WASHROOM EQUIPMENT, INC.**, North Hollywood, CA (US)

(**) Term: **15 Years**

(57) **CLAIM**

The ornamental design for dispenser unit with receptacle, as shown and described.

(21) Appl. No.: **29/869,851**

(22) Filed: **Jan. 10, 2023**

DESCRIPTION

Related U.S. Application Data

(62) Division of application No. 29/688,844, filed on Apr. 24, 2019, now Pat. No. Des. 978,554.

(51) **LOC (14) Cl.** **23-02**

(52) **U.S. Cl.**
USPC **D6/519**

(58) **Field of Classification Search**
USPC D3/201, 304, 315; D6/512, 515–518, D6/522, 570, 675, 519; D7/602, 631;
(Continued)

FIG. 1 is a perspective view of a first embodiment of a dispenser unit with receptacle design;
FIG. 2 is a front view of the first embodiment thereof;
FIG. 3 is a top view of the first embodiment thereof;
FIG. 4 is a bottom view of the first embodiment thereof;
FIG. 5 is a left side view which is the mirror image of the right side view of the first embodiment thereof;
FIG. 6 is a rear view of the first embodiment thereof;
FIG. 7 is a perspective view of a second embodiment of a dispenser unit with receptacle design;
FIG. 8 is a front view of the second embodiment thereof;
FIG. 9 is a top view of the second embodiment thereof;
FIG. 10 is a bottom view of the second embodiment thereof;
FIG. 11 is a left side view which is the mirror image of the right side view of the second embodiment thereof; and,
FIG. 12 is a rear view of the second embodiment thereof.
The broken lines show portions of the dispenser unit with receptacle that form no part of the claimed design.

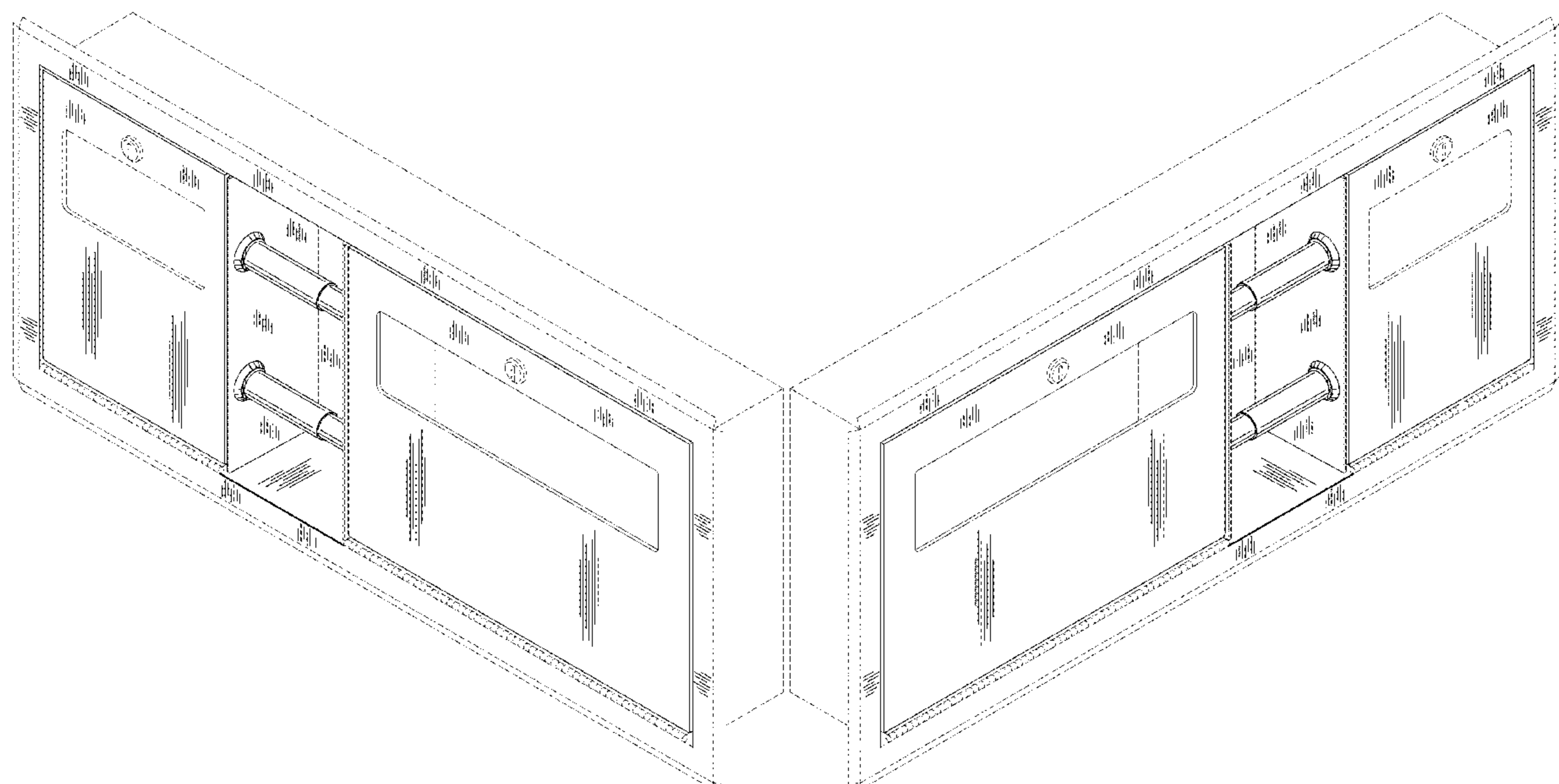
(56) **References Cited**

U.S. PATENT DOCUMENTS

2,097,858 A * 11/1937 Herz B65D 5/725
229/131.1
4,361,368 A * 11/1982 Daniels A47B 55/00
312/405.1

(Continued)

1 Claim, 10 Drawing Sheets



(58) **Field of Classification Search**

USPC D9/414, 424, 430, 431, 432, 447, 499, D9/730, 734; D10/74, 103, 122; D15/89; D19/67, 134; 211/13.1, 45, 26, 211/33, 36, 43, 61, 46, 47, 48, 52, 199, 211/255, 259, 305, 309; 222/80, 101, 222/173, 179.5, 180, 575; 225/93, 106; 248/309.1, 309.2, 905
 CPC A47F 7/021; A47F 5/05; A47F 7/00; A47F 1/126; A47F 7/163; A47F 13/08; A47K 10/40; A47K 10/3836; A47K 10/16; A47K 2010/3266; A47K 10/42; A47K 10/426; B66D 1/7442; B65D 85/00; B65D 81/00; B65D 81/22; B65D 83/0805; G07F 11/00

See application file for complete search history.

(56) **References Cited**

U.S. PATENT DOCUMENTS

| | | | | |
|--------------|------|---------|------------------------|-----------------------|
| D276,924 | S * | 12/1984 | Bellis | D20/9 |
| D327,191 | S * | 6/1992 | Brown | D6/515 |
| D327,991 | S | 7/1992 | Oldorf | |
| D341,724 | S | 11/1993 | Hines | |
| D360,228 | S * | 7/1995 | Dabrowski | D20/8 |
| D364,059 | S * | 11/1995 | Merriweather, Jr. | D6/519 |
| D368,819 | S | 4/1996 | Lemmons | |
| D402,838 | S | 12/1998 | Sherbet | |
| D405,099 | S | 2/1999 | Wood | |
| D434,256 | S | 11/2000 | Shimbo et al. | |
| D483,207 | S | 12/2003 | Winslow | |
| D545,099 | S * | 6/2007 | Fernandez, Jr. | D6/555 |
| 7,407,237 | B2 * | 8/2008 | Bright | A47B 67/02 312/294 |
| D686,844 | S * | 7/2013 | Simon | D6/519 |
| D704,950 | S | 5/2014 | Bogner et al. | |
| D886,487 | S | 6/2020 | Sukyas et al. | |
| D976,609 | S * | 1/2023 | Holzmann | D6/518 |
| D977,217 | S * | 1/2023 | Abbott | D6/675 |
| 2011/0279001 | A1 * | 11/2011 | Peters | A47B 67/00 312/209 |
| 2017/0008691 | A1 * | 1/2017 | DeGraaf | A61B 50/10 |

OTHER PUBLICATIONS

Bobrick, ClassicSeries® Recessed Toilet Seat-Cover Dispenser . . . —Oct. 31, 2019, https://www.bobrick.com/wp-content/uploads/B-3091_td.pdf, 2 pages, retrieved Jul. 15, 2022 (Year: 2019).
 American Specialties, Inc., 0481-HC Toilet Seat Cover & Toilet Tissue Dispenser W/ Napkin Disposal (Dual Access) for Handicapped, online, site visited Mar. 28, 2023. Available at URL: <https://americanspecialties.com/product/toilet-seat-cover-toilet-tissue-dispensers-w-napkin-disposal-dual-access-for-handicapped-0481-hc/>.
 American Specialties, Inc., 0481-HCR Toilet Seat Cover & Toilet Tissue Dispenser W/ Napkin Disposal (Dual Access) for Handicapped - REVERSE, online, site visited Mar. 28, 2023. Available at URL: <https://americanspecial.com/product/partition-mounted-dual-access-seat-toilet-tissue-dispenser-with-sanitary-napkin-disposal-0481-her/>.
 American Specialties, Inc., 0481-R Toilet Seat Cover & Toilet Tissue Dispenser W/ Napkin Disposal (Dual Access)—Partition Mounted, Reverse, online, site visited Mar. 28, 2023. Available at URL: <https://americanspecialties.com/product/toilet-seat-cover-toilet-tissue-dispensers-w-napkin-disposal-dual-access-partition-mounted-reverse-0481-r/>.
 American Specialties, Inc., 04813-HC Toilet Tissue Dispenser & Napkin Disposal (Dual Access) for Handicapped - Partition Mounted, online, site visited Mar. 28, 2023. Available at URL: <https://americanspecialties.com/product/toilet-tissue-dispenser-napkin-disposal-dual-access-for-handicapped-partition-mounted-04813-hc/>.

American Specialties, Inc., 0482 Toilet Seat Cover & Toilet Tissue Dispenser W/ Napkin Disposal—RECESSED, online, site visited Mar. 28, 2023. Available at URL: <https://americanspecialties.com/product/toilet-seat-cover-toilet-tissue-dispensers-w-napkin-disposal-recessed-0482/>.
 American Specialties, Inc., 0482-R Toilet Seat Cover & Toilet Tissue Dispenser W/ Napkin Disposal—Recessed, Reverse, online, site visited Mar. 28, 2023. Available at URL: <https://americanspecialties.com/product/toilet-seat-cover-toilet-tissue-dispensers-w-napkin-disposal-recessed-reverse-0482-r/>.
 American Specialties, Inc., 04823 Traditional™ Toilet Tissue Dispenser & Napkin Disposal—RECESSED, online, site visited Mar. 28, 2023. Available at URL: <https://americanspecialties.com/product/toilet-tissue-dispenser-napkin-disposal-recessed-04823/>.
 American Specialties, Inc., 0483 Toilet Seat Cover & Toilet Tissue Dispenser W/ Napkin Disposal—Surface Mounted, online, site visited Mar. 28, 2023. Available at URL: <https://americanspecialties.com/product/toilet-seat-cover-toilet-tissue-dispenser-w-napkin-disposal-surface-mounted-0483/>.
 American Specialties, Inc., 04833 Toilet Tissue Dispenser W/ Napkin Disposal—Surface Mounted, online, site visited Mar. 28, 2023. Available at URL: <https://americanspecialties.com/product/toilet-tissue-dispenser-w-napkin-disposal-surface-mounted-04833/>.
 American Specialties, Inc., 0484 Toilet Seat Cover & Toilet Tissue Dispenser (Dual Access)—Partition Mounted, online, site visited Mar. 28, 2023. Available at URL: <https://americanspecialties.com/product/toilet-seat-cover-toilet-tissue-dispenser-dual-access-partition-mounted-0484/>.
 American Specialties, Inc., 0484-HC Toilet Seat Cover & Toilet Tissue Dispenser, Dual Access for Handicapped—Partition Mounted, online, site visited Mar. 28, 2023. Available at URL: <https://americanspecialties.com/product/toilet-seat-cover-toilet-tissue-dispensers-dual-access-for-handicapped-partition-mounted-0484-hc/>.
 American Specialties, Inc., 0484-HCR Toilet Seat Cover & Toilet Tissue Dispenser, Dual Access for Handicapped—Partition Mounted, Reverse, online, site visited Mar. 28, 2023. Available at URL: <https://americanspecialties.com/product/toilet-seat-cover-toilet-tissue-dispenser-dual-access-for-handicapped-partition-mounted-reverse-0484-hcr/>.
 American Specialties, Inc., 0484-R Toilet Seat Cover & Toilet Tissue Dispenser (Dual Access)—Partition Mounted, Reverse, online, site visited Mar. 28, 2023. Available at URL: <https://americanspecialties.com/product/toilet-seat-cover-toilet-tissue-dispenser-dual-access-partition-mounted-reverse-0484-r/>.
 American Specialties, Inc., 0485 Toilet Seat Cover & Toilet Tissue Dispenser—RECESSED, online, site visited Mar. 28, 2023. Available at URL: <https://americanspecialties.com/product/toilet-seat-cover-toilet-tissue-dispenser-recessed-0485/>.
 American Specialties, Inc., 0485-R Toilet Seat Cover & Toilet Tissue Dispenser—Recessed, Reverse, online, site visited Mar. 28, 2023. Available at URL: <https://americanspecialties.com/product/toilet-seat-cover-toilet-tissue-dispenser-recessed-reverse-0485-r/>.
 American Specialties, Inc., 0486 Toilet Seat Cover & Toilet Tissue Dispenser—Surface Mounted, online, site visited Mar. 28, 2023. Available at URL: <https://americanspecialties.com/product/toilet-seat-cover-toilet-tissue-dispensers-surface-mounted-0486/>.
 Bobrick Washroom Equipment, Inc., B-34745 ClassicSeries® Recessed Seat-Cover Dispenser and Toilet Tissue Dispenser, online, site visited Mar. 28, 2023. Available at URL: <https://www.bobrick.com/products/washroom-accessories/toilet-compartment-accessories/toilet-compartment-catlog/toilet-compartment-accessories/product/b-34745/>.
 Bobrick Washroom Equipment, Inc., B-3579 ClassicSeries® Surface-Mounted, Seat-Cover Dispenser, Sanitary Napkin Disposal and Toilet Tissue Dispenser, online, site visited Mar. 28, 2023. Available at URL: <https://www.bobrick.com/products/washroom-accessories/toilet-compartment-accessories/toilet-compartment-catalog/toilet-compartment-accessories/product/b-3579/>.
 Bobrick Washroom Equipment, Inc., B-3479 ClassicSeries® Surface-Mounted Seat-Cover Dispenser and Toilet Tissue Dispenser, online, site visited Mar. 28, 2023. Available at URL: <https://www.bobrick.com/>

(56)

References Cited

OTHER PUBLICATIONS

com/products/washroom-accessories/toilet-compartment-accessories/toilet-compartment-catalog/toilet-compartment-accessories/product/b-3479/.

Bobrick Washroom Equipment, Inc., B-357 ClassicSeries® Partition-Mounted, Seat-Cover Dispenser, Sanitary Napkin Disposal and Toilet Tissue Dispenser, online, site visited Mar. 28, 2023. Available at URL: <https://www.bobrick.com/products/washroom-accessories/toilet-compartment-accessories/toilet-compartment-catalog/toilet-compartment-accessories/product/b-357/>.

Bobrick Washroom Equipment, Inc., B-3571 ClassicSeries® Partition-Mounted, Seat-Cover Dispenser, Sanitary Napkin Disposal and Toilet Tissue Dispenser, online, site visited Mar. 28, 2023. Available at URL: <https://www.bobrick.com/products/washroom-accessories/toilet-compartment-accessories/toilet-compartment-catalog/toilet-compartment-accessories/product/b-3571/>.

Bobrick Washroom Equipment, Inc., B-35715 ClassicSeries® Partition-Mounted Seat-Cover Dispenser, Sanitary Napkin Disposal and Toilet Tissue Dispenser, online, site visited Mar. 28, 2023. Available at URL: <https://www.bobrick.com/products/washroom-accessories/toilet-compartment-accessories/toilet-compartment-catalog/toilet-compartment-accessories/product/b-35715/>.

Bobrick Washroom Equipment, Inc., B-347 ClassicSeries® Partition Mounted Seat-Cover Dispenser and Toilet Tissue Dispenser, online, site visited Mar. 28, 2023. Available at URL: <https://www.bobrick.com/products/washroom-accessories/toilet-compartment-accessories/toilet-compartment-catalog/toilet-compartment-accessories/product/b-347/>.

Bobrick Washroom Equipment, Inc., B-3471 ClassicSeries® Partition Mounted Seat-Cover Dispenser and Toilet Tissue Dispenser, online, site visited Mar. 28, 2023. Available at URL: <https://www.bobrick.com/products/washroom-accessories/toilet-compartment-accessories/toilet-compartment-catalog/toilet-compartment-accessories/product/b-3471/>.

Bobrick Washroom Equipment, Inc., B-34715 ClassicSeries® Partition-Mounted Seat-Cover Dispenser and Toilet Tissue Dispenser, online, site visited Mar. 28, 2023. Available at URL: <https://www.bobrick.com/products/washroom-accessories/toilet-compartment-accessories/toilet-compartment-catalog/toilet-compartment-accessories/product/b-34715/>.

Bobrick Washroom Equipment, Inc., B-35745 ClassicSeries® Recessed Seat-Cover Dispenser, Sanitary Napkin Disposal and Toilet Tissue Dispenser, online, site visited Mar. 28, 2023. Available at URL: <https://www.bobrick.com/products/washroom-accessories/toilet-compartment-accessories/toilet-compartment-catalog/toilet-compartment-accessories/product/b-35745/>.

Bobrick Washroom Equipment, Inc., B-3474 ClassicSeries® Recessed Seat-Cover Dispenser and Toilet Tissue Dispenser, online, site visited Mar. 28, 2023. Available at URL: <https://www.bobrick.com/products/washroom-accessories/toilet-compartment-accessories/toilet-compartment-catalog/toilet-compartment-accessories/product/b-3474/>.

Bobrick Washroom Equipment, Inc., B-3574 ClassicSeries® Recessed Seat-Cover Dispenser, Sanitary Napkin Disposal and Toilet Tissue Dispenser online, site visited Mar. 28, 2023. Available at URL: <https://www.bobrick.com/products/washroom-accessories/toilet-compartment-accessories/toilet-compartment-catalog/toilet-compartment-accessories/product/b-3574/>.

* cited by examiner

FIG. 1

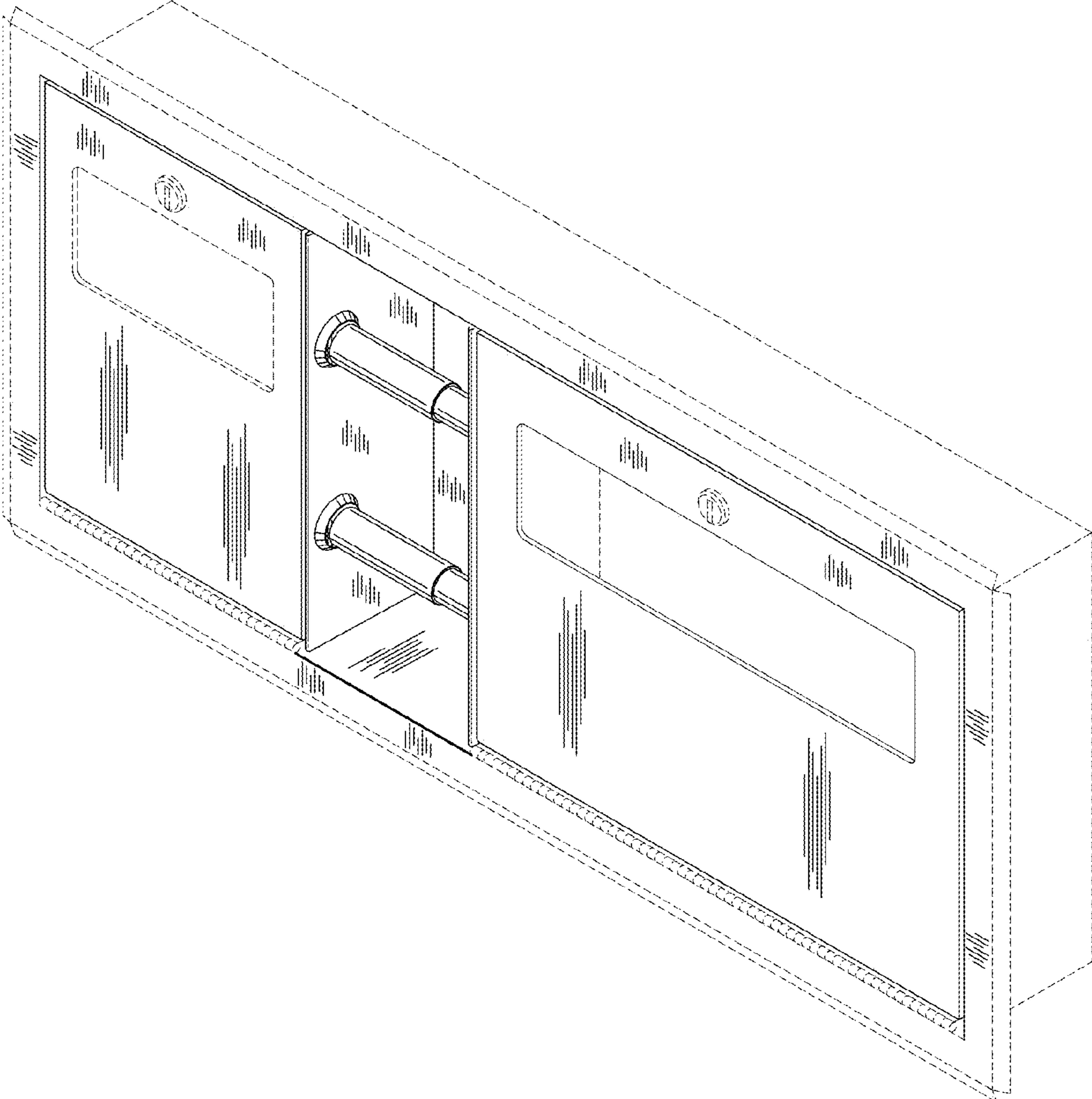


FIG. 2

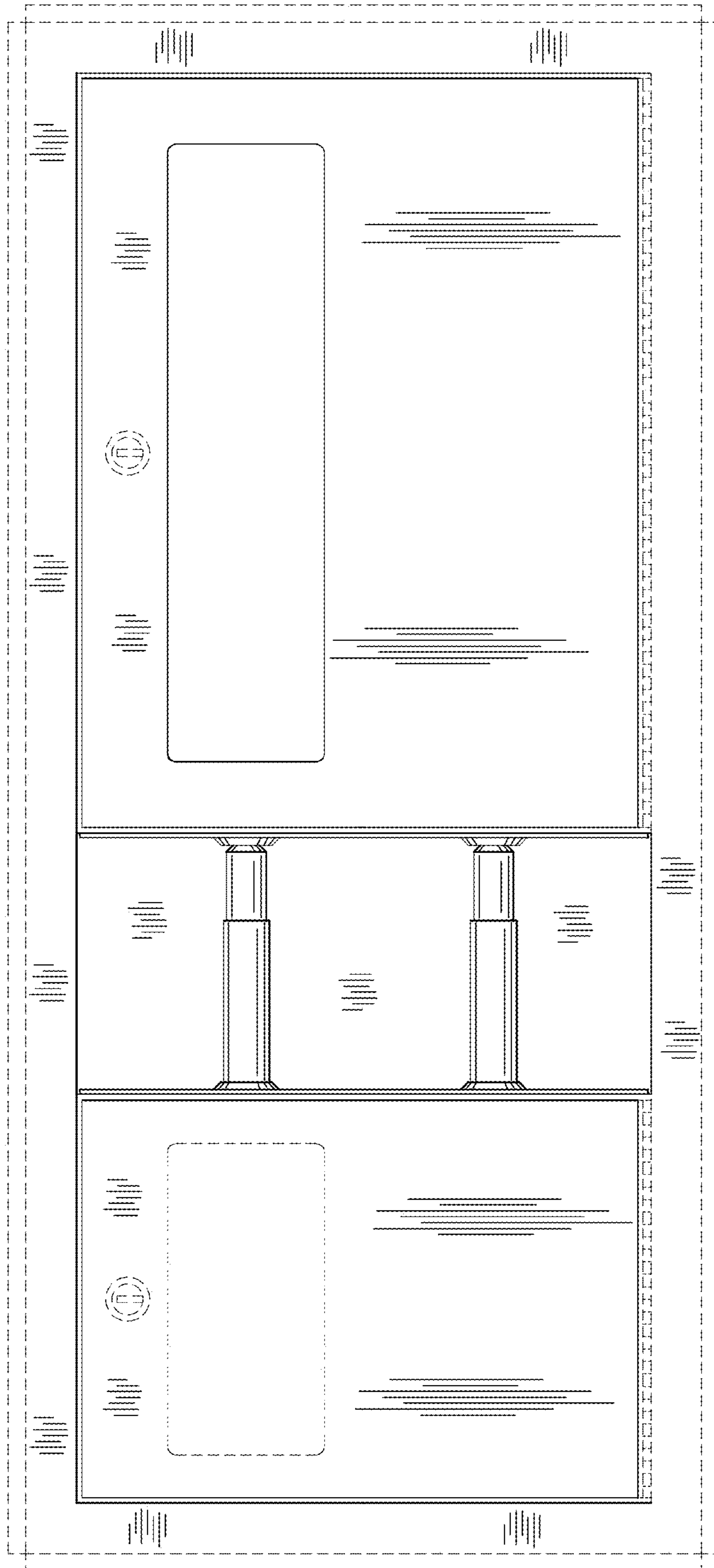


FIG. 3

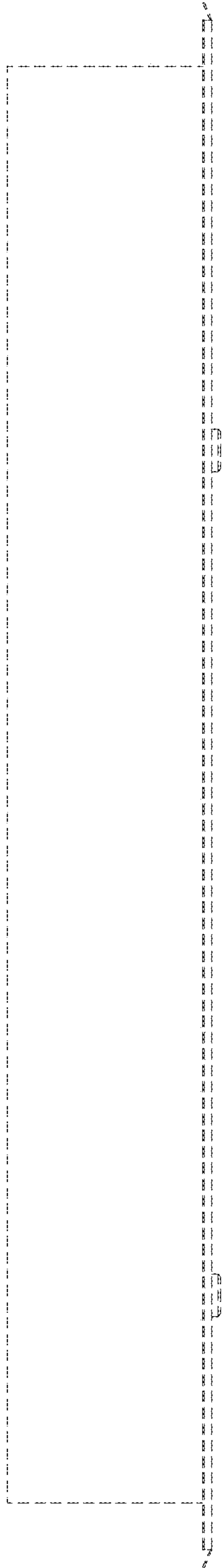


FIG. 4

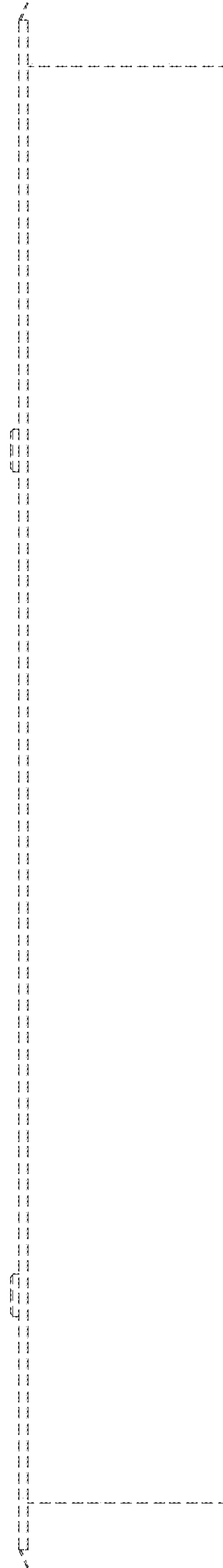


FIG. 5

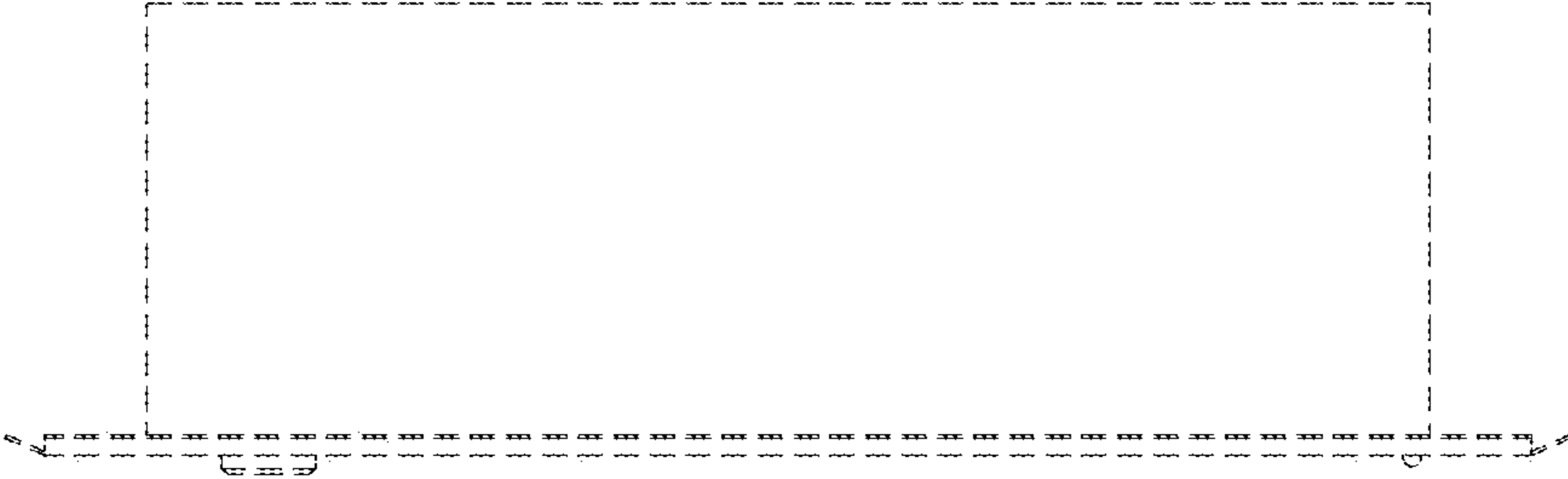


FIG. 6



FIG. 7

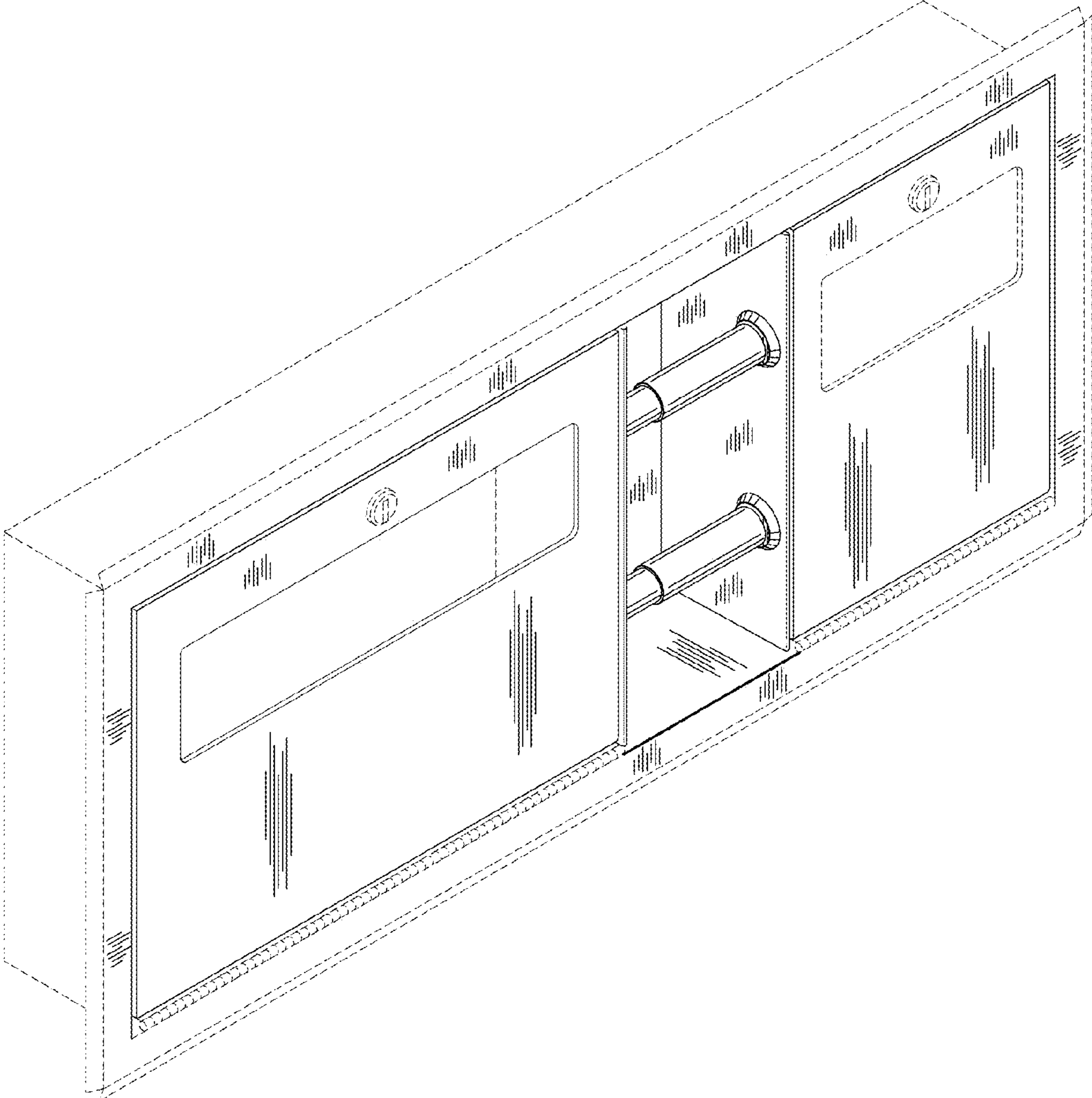


FIG. 8

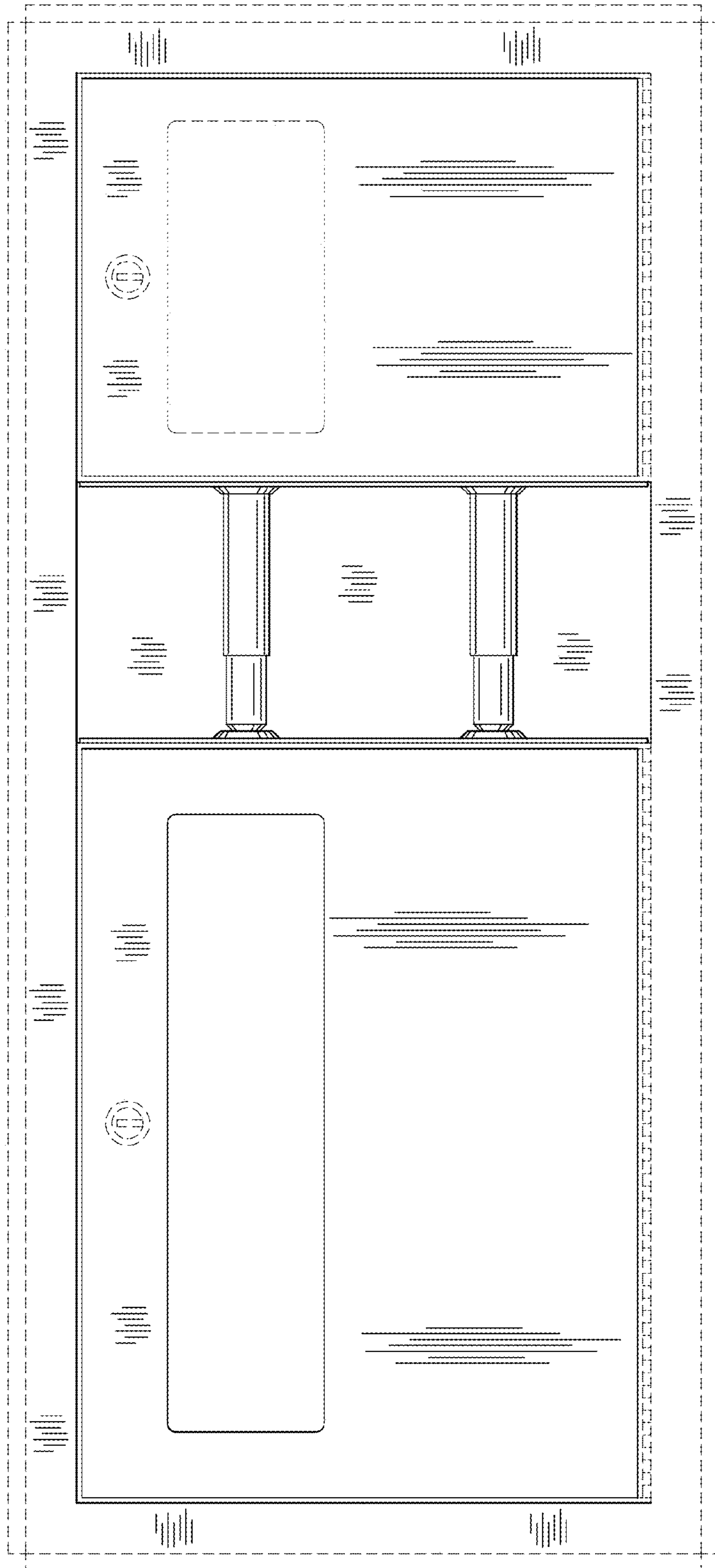


FIG. 9

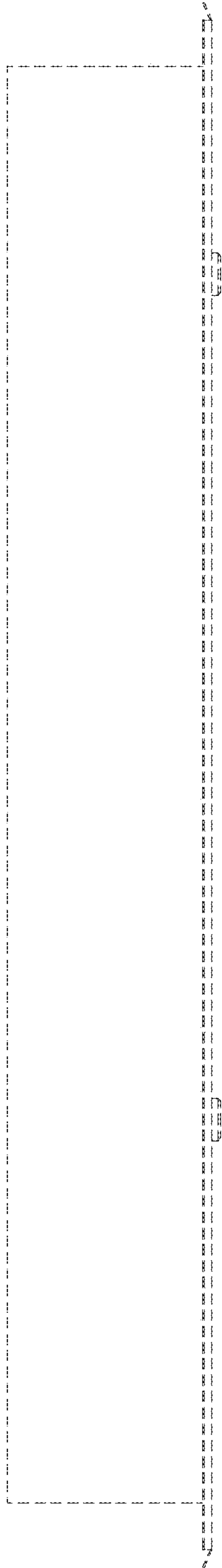


FIG. 10

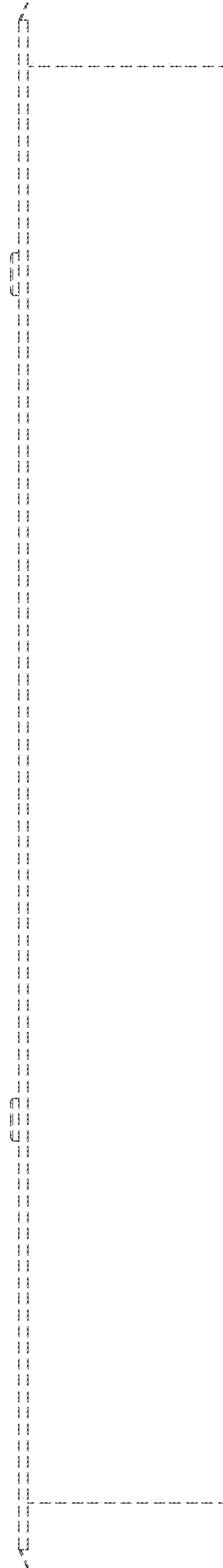


FIG. 11



FIG. 12

