



US0D1033790S

(12) **United States Design Patent**  
**Tartal et al.**

(10) **Patent No.: US D1,033,790 S**

(45) **Date of Patent: \*\* Jul. 2, 2024**

- (54) **CHUTE LOCKOUT DEVICE**
- (71) Applicant: **United States Postal Service**,  
Washington, DC (US)
- (72) Inventors: **William Albert Tartal**, Baltimore, MD  
(US); **Joram Shenhar**, Fairfax, VA  
(US); **Joel Locknauth Dewnandan**,  
Bladensburg, MD (US)
- (73) Assignee: **United States Postal Service**,  
Washington, DC (US)
- (\*\*) Term: **15 Years**
- (21) Appl. No.: **29/753,008**
- (22) Filed: **Sep. 29, 2020**
- (51) **LOC (14) Cl. .... 99-00**
- (52) **U.S. Cl.**  
USPC ..... **D99/43**
- (58) **Field of Classification Search**  
USPC ..... D99/28, 29, 31, 32, 33, 43, 99; D8/400,  
D8/404, 499  
CPC .... A47G 29/00; A47G 29/12; A47G 29/1201;  
A47G 29/1203; A47G 29/1207; A47G  
29/1209; A47G 29/12095; A47G  
29/12097; A47G 29/1216; A47G 29/1218;  
A47G 29/122; A47G 29/1223; A47G  
29/124; A47G 29/1245; A47G 29/1248;  
A47G 29/1251; A47G 29/1254; A47G  
29/126; A47G 29/14; A47G 29/141;  
A47G 29/16; A47G 29/20; A47G 29/30;  
A47G 2029/1257

483,525 A \* 10/1892 Becket ..... A47G 29/12  
232/14

584,459 A 6/1897 Chaney

659,486 A 10/1900 Mulloy

1,032,304 A 7/1912 Seymour

1,607,121 A \* 11/1926 Doran ..... A47G 29/1201  
232/24

1,794,069 A 2/1931 Foss

1,824,881 A 9/1931 Foss

1,846,762 A 2/1932 Scantlebury

1,983,071 A 12/1934 Cutler

2,623,689 A \* 12/1952 Barlick ..... A47G 29/1201  
232/25

2,934,261 A \* 4/1960 Eaton ..... D06F 93/00  
232/44

3,134,146 A 5/1964 Geoghegan  
(Continued)

*Primary Examiner* — Elizabeth J Oswecki  
(74) *Attorney, Agent, or Firm* — Knobbe Martens Olson  
& Bear LLP

(57) **CLAIM**

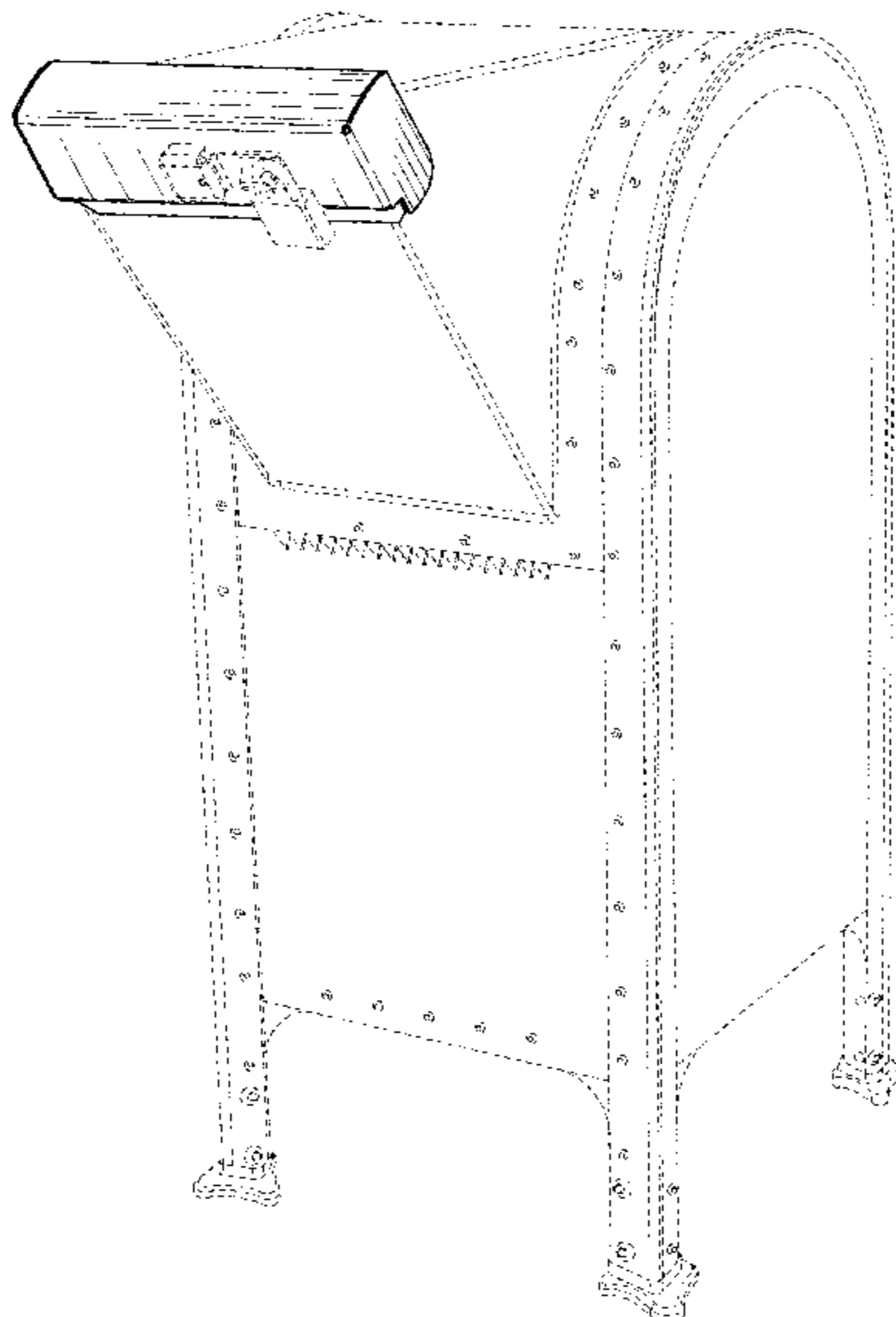
The ornamental design for a chute lockout device, as shown  
and described.

**DESCRIPTION**

FIG. 1 is a front perspective view of a chute lockout device,  
showing our new design, shown in a used condition with a  
mailbox and lock shown in broken lines;  
FIG. 2 is another front perspective view thereof with the  
environmental structure removed for clarity;  
FIG. 3 is rear perspective view thereof;  
FIG. 4 is a front view thereof;  
FIG. 5 is a rear view thereof;  
FIG. 6 is a top view thereof;  
FIG. 7 is a bottom view thereof;  
FIG. 8 is a side view thereof; and,  
FIG. 9 is an opposite side view thereof.  
All features in broken lines are for the purpose of illustrating  
environmental structure and form no part of the claimed  
subject matter.

- (56) **References Cited**  
U.S. PATENT DOCUMENTS
- 158,230 A 12/1874 Avey
- 231,031 A 8/1880 Free

**1 Claim, 5 Drawing Sheets**



(56)

References Cited

U.S. PATENT DOCUMENTS

3,189,265	A *	6/1965	Franklin	.....	A47G 29/12	232/39			
3,593,914	A *	7/1971	Van Orden	.....	A47G 29/1212	232/47			
3,976,345	A *	8/1976	Walters	.....	A47G 29/22	312/215			
4,114,801	A *	9/1978	Van Orden	.....	A47G 29/1216	232/39			
4,135,658	A *	1/1979	Hagberg	.....	E05G 7/008	232/44			
4,190,004	A *	2/1980	Richardson	.....	E05G 7/008	109/19			
4,278,163	A *	7/1981	Tomich	.....	E06B 5/02	193/34			
4,890,733	A *	1/1990	Anderson	.....	B65F 1/1607	220/908			
5,103,659	A *	4/1992	Benefield, Sr.	.....	E05B 17/142	70/164			
5,526,979	A *	6/1996	Mann	.....	A47G 29/12095	232/47			
6,343,737	B1	2/2002	Adams						
6,533,167	B2 *	3/2003	Hassan	.....	A47G 29/1216	232/17			
D476,792	S *	7/2003	Macari	.....	D99/29				
6,868,702	B1 *	3/2005	Alkire	.....	E05C 19/003	70/DIG. 56			
D512,804	S *	12/2005	Wilson	.....	D99/29				
D528,260	S *	9/2006	Wilson	.....	D99/29				
D536,155	S *	1/2007	Mikolajczyk	.....	D99/43				
D569,074	S *	5/2008	Irwin	.....	D99/29				
7,549,572	B1 *	6/2009	Branan	.....	A47G 29/22	232/52			
7,896,226	B1 *	3/2011	Branan	.....	A47G 29/22	232/52			
D877,445	S *	3/2020	Kunkler	.....	D99/33				
11,141,014	B2 *	10/2021	James	.....	A47G 29/12095				
D967,597	S *	10/2022	James	.....	D99/29				
2006/0273146	A1	12/2006	Roddy						
2010/0294007	A1	11/2010	Cyphers et al.						
2015/0359372	A1	12/2015	Cho et al.						
2016/0206125	A1	7/2016	Cobb						
2017/0054252	A1	2/2017	Gates et al.						
2021/0103725	A1	4/2021	Tartal et al.						
2022/0095823	A1	3/2022	Cobb et al.						

\* cited by examiner

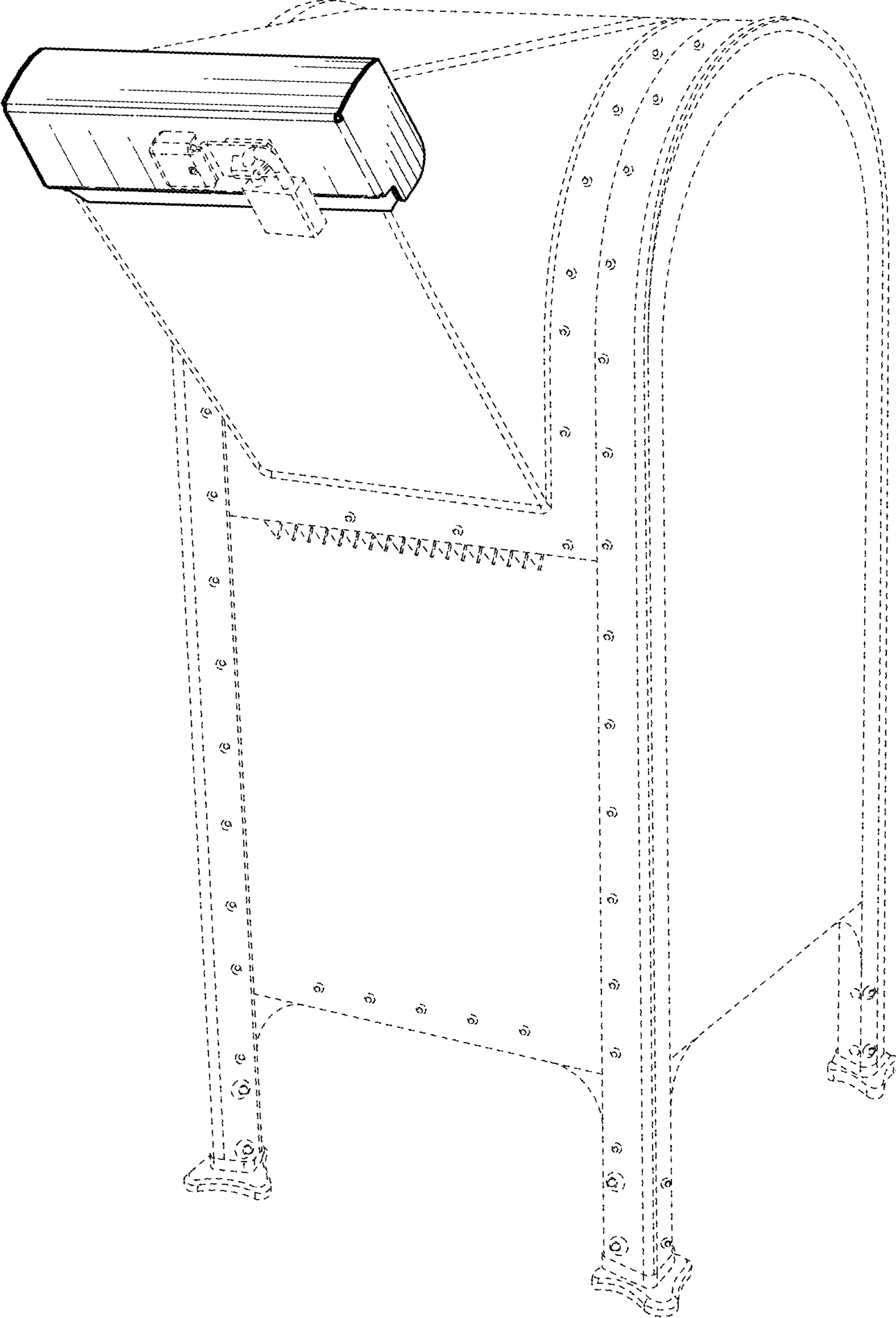


FIG. 1

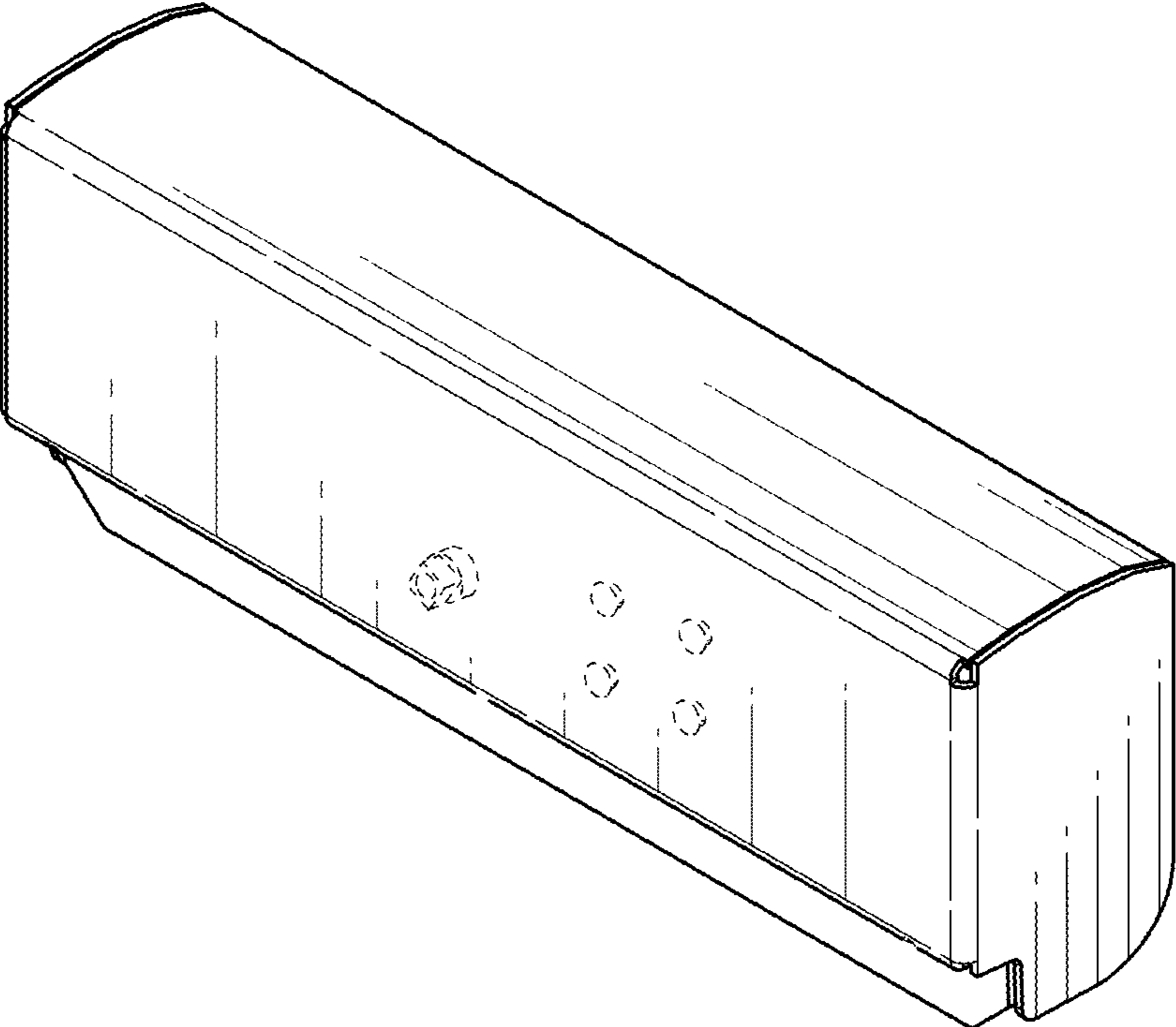


FIG. 2

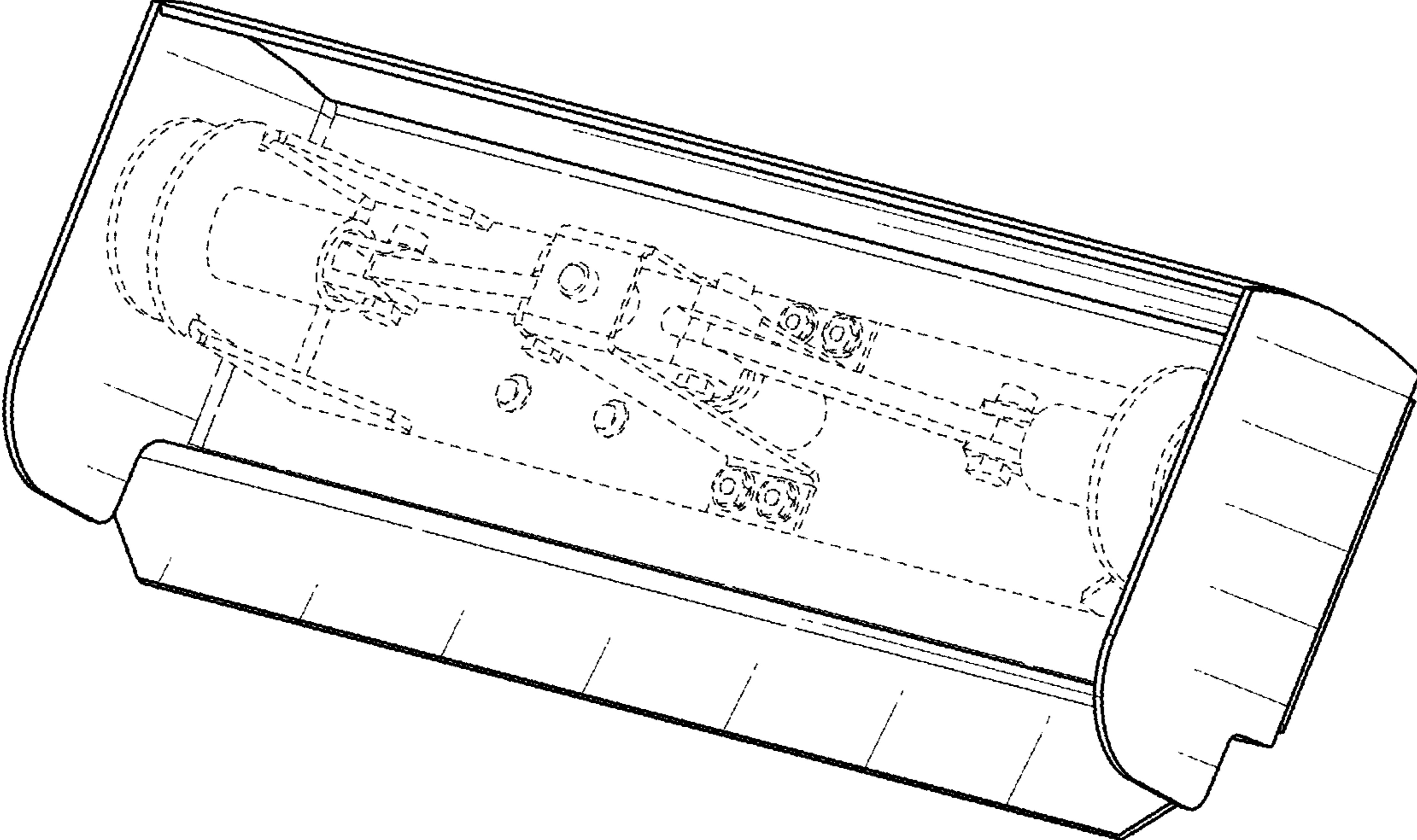


FIG. 3

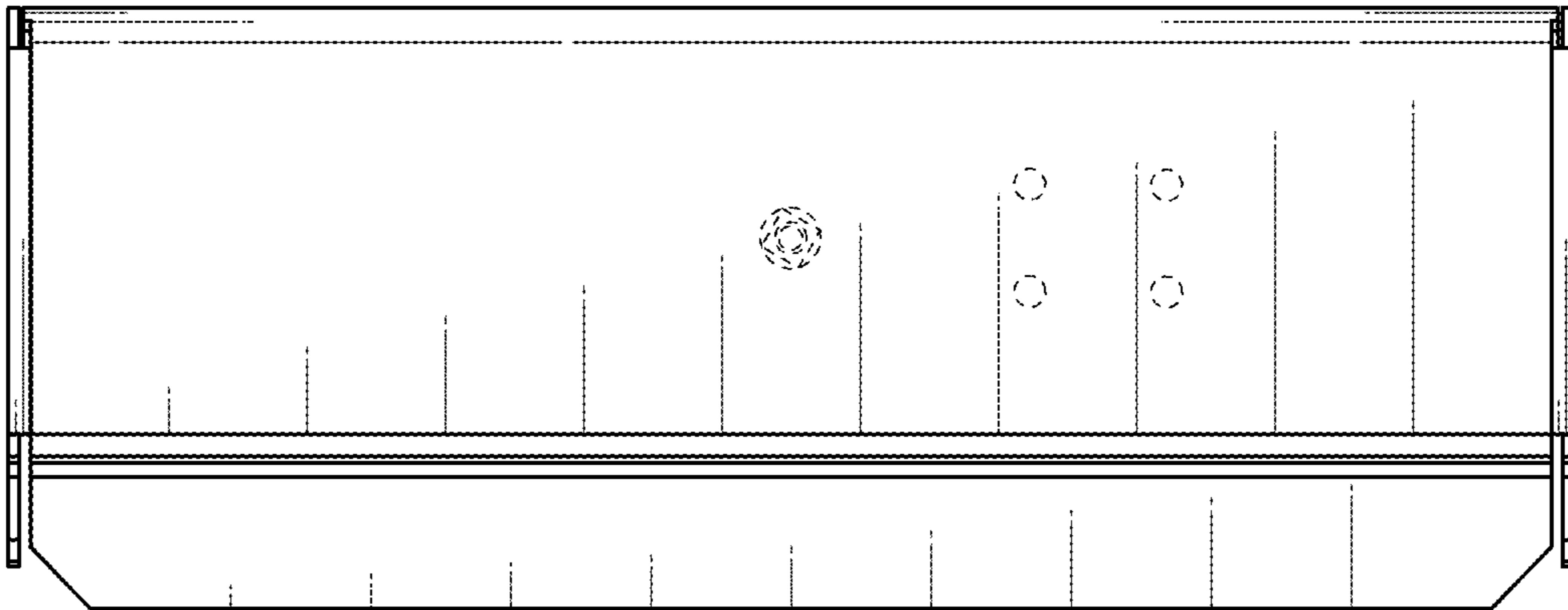


FIG. 4

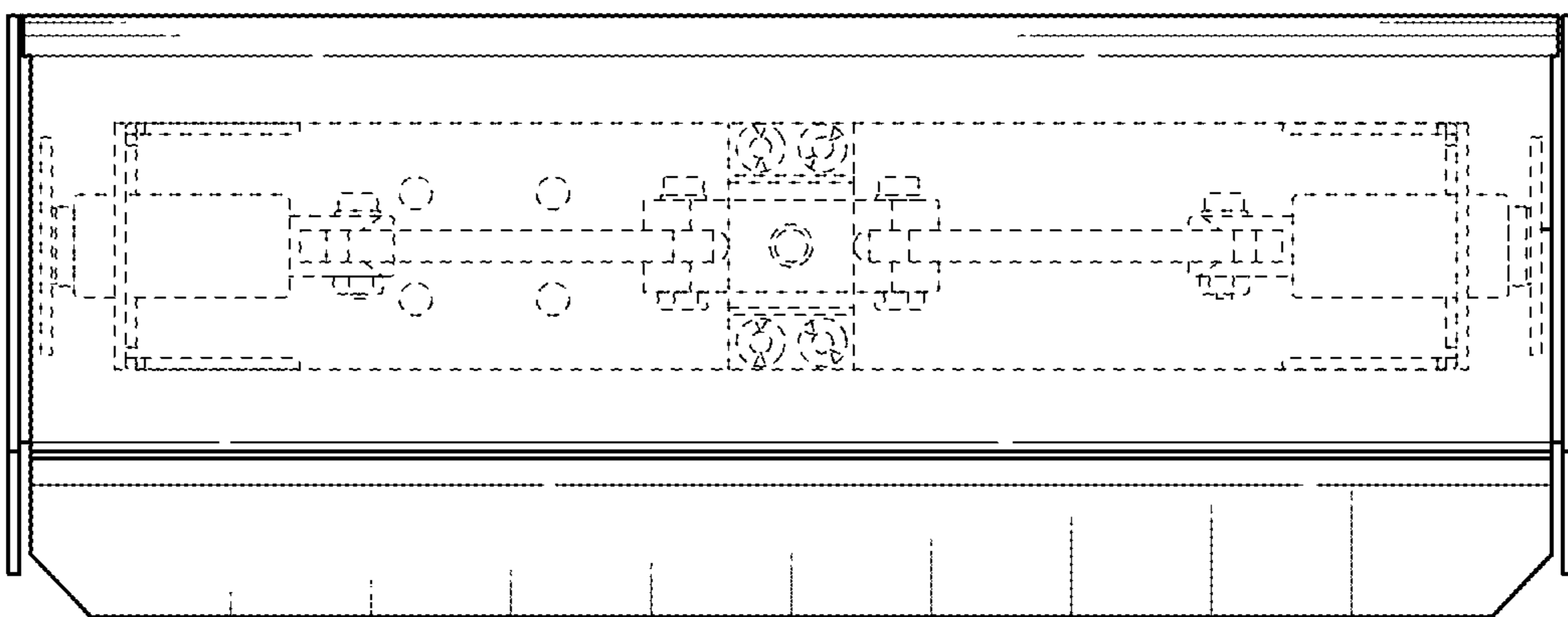


FIG. 5

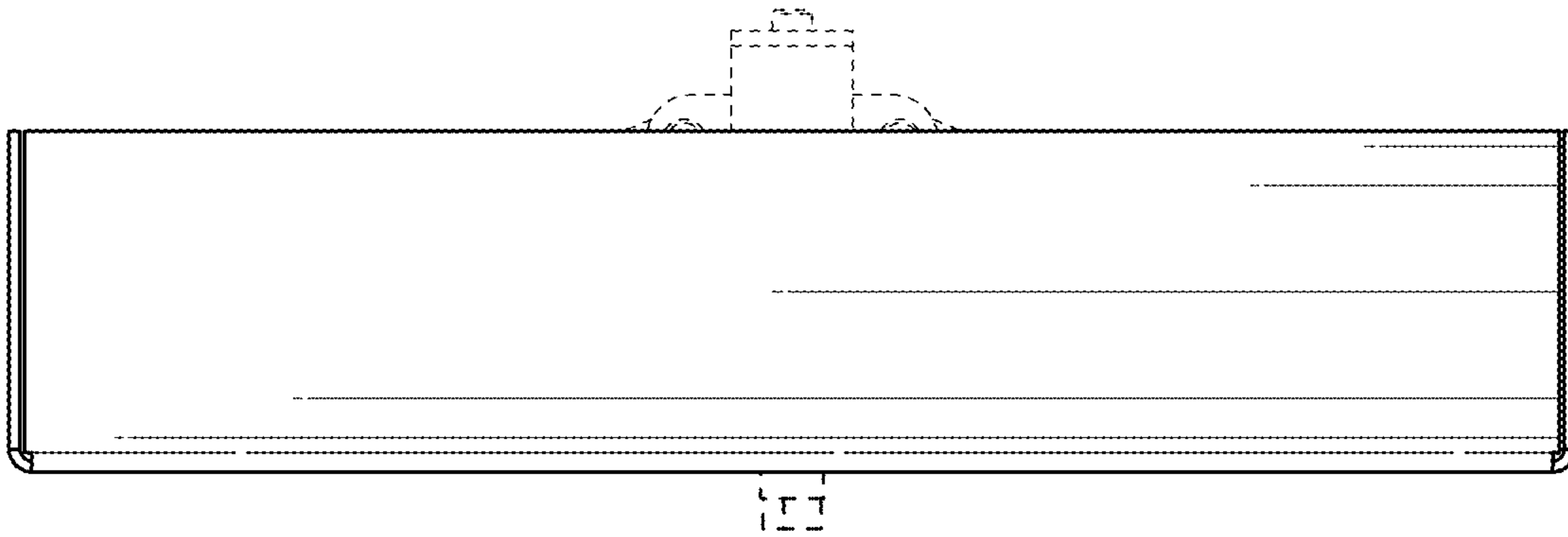


FIG. 6

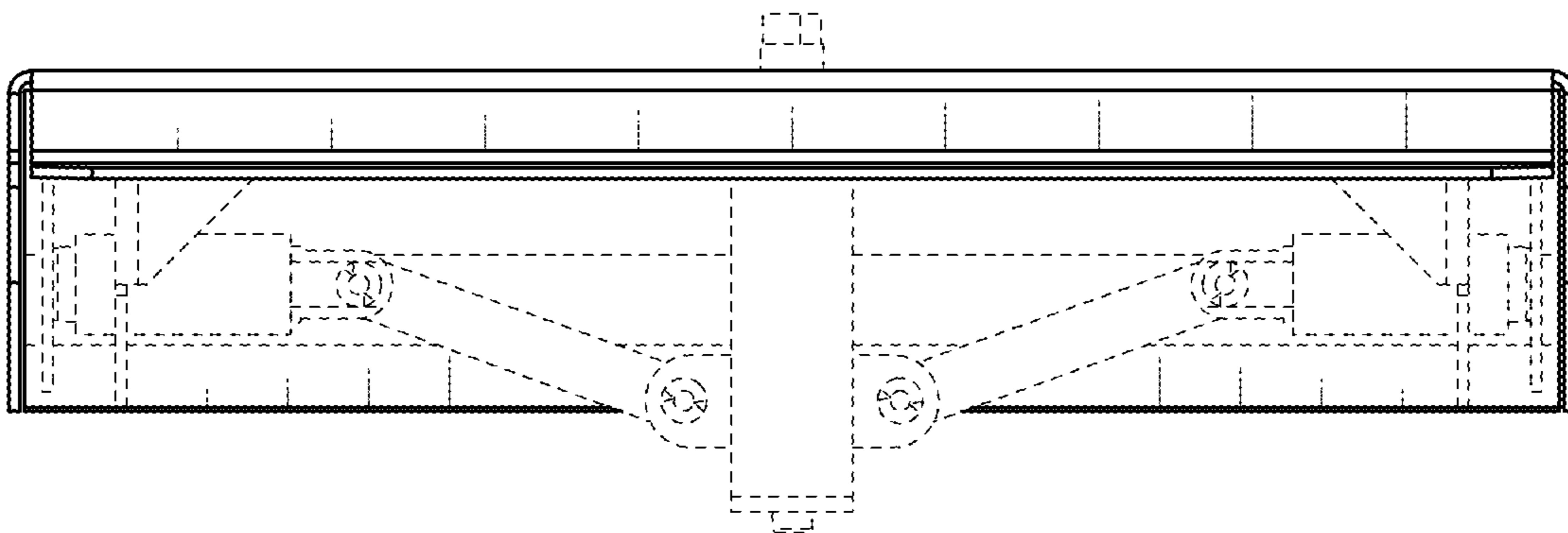


FIG. 7

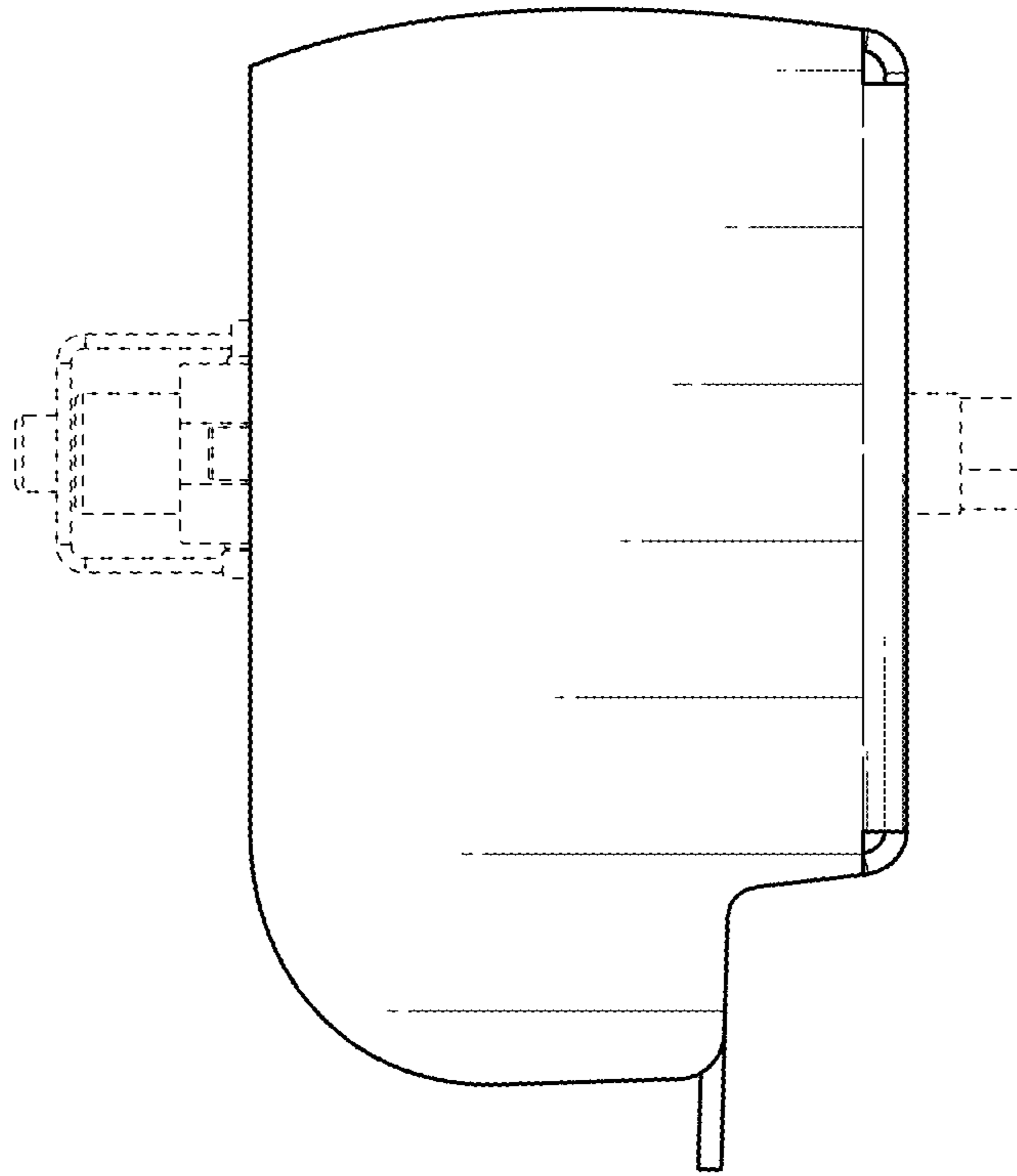


FIG. 8

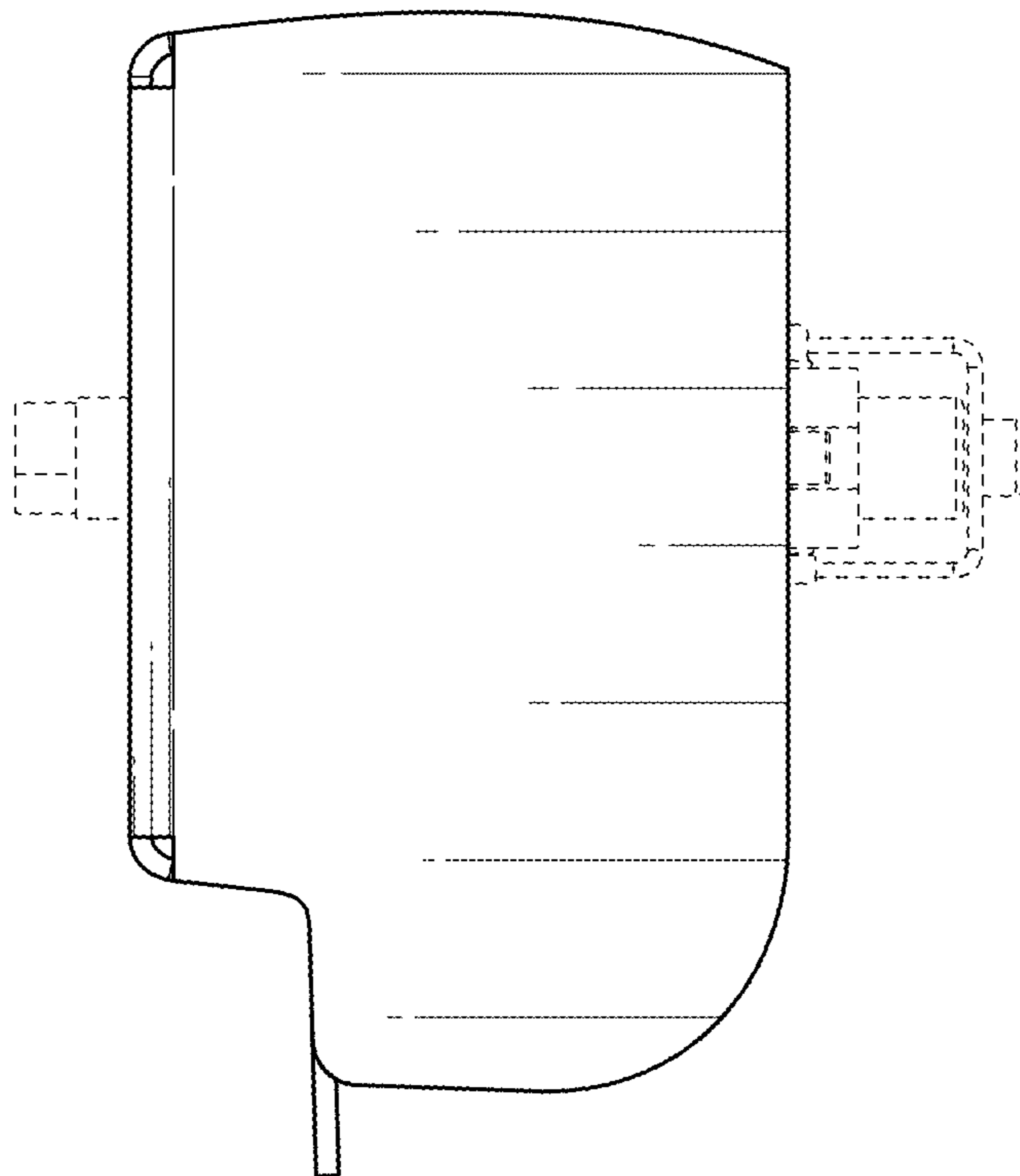


FIG. 9