



US0D1033759S

(12) **United States Design Patent** (10) **Patent No.:** **US D1,033,759 S**
Toolan et al. (45) **Date of Patent:** **** Jul. 2, 2024**

(54) **PET CHEW TOY**

FOREIGN PATENT DOCUMENTS

- (71) Applicant: **Benebone LLC**, Westport, CT (US)
- (72) Inventors: **Peter Toolan**, Westport, CT (US); **Evan L. Ryan**, Evanston, IL (US)
- (73) Assignee: **Benebone LLC**, Westport, CT (US)
- (**) Term: **15 Years**
- (21) Appl. No.: **29/887,449**
- (22) Filed: **Mar. 21, 2023**

EM	008718845-0001	*	10/2021
EM	008718845-0002	*	10/2021
EM	008718845-0003	*	10/2021

OTHER PUBLICATIONS

TinEye reverse image search of NPL citation "Benebone Ring durable chew toy;" first found May 29, 2022, retrieved Feb. 11, 2024 [online]. URL: https://tineye.com/search/629be626bc219859437079725d61cfb1d1275362?sort=crawl_date&order=asc&page=1 (Year: 2022).*

Benebone Ring durable chew toy; posting date unavailable, retrieved Feb. 11, 2024 [online]. URL: <https://www.benebone.com/products/ring> (Year: 2024).*

Related U.S. Application Data

- (62) Division of application No. 29/777,778, filed on Apr. 8, 2021, now Pat. No. Des. 994,242.
- (51) **LOC (14) Cl.** **30-12**
- (52) **U.S. Cl.**
USPC **D30/160**
- (58) **Field of Classification Search**
USPC D30/160, 199; D24/195; D21/398
CPC A01K 15/025; A01K 15/026
See application file for complete search history.

* cited by examiner

Primary Examiner — Samantha Wood
Assistant Examiner — Emily A Caven
 (74) *Attorney, Agent, or Firm* — Fred Zollinger

(57) **CLAIM**

The ornamental design for a pet chew toy, as shown and described.

(56) **References Cited**

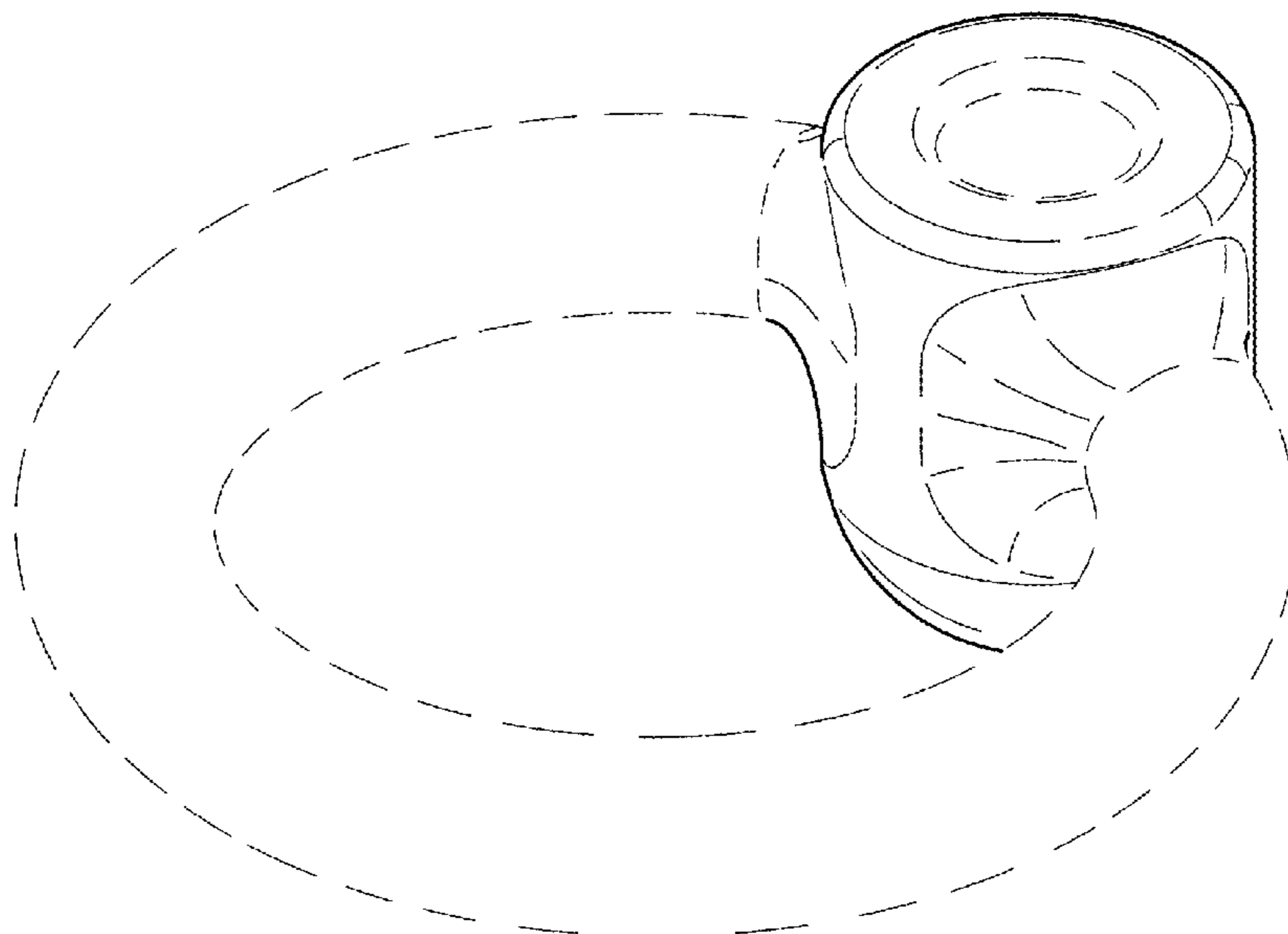
DESCRIPTION

U.S. PATENT DOCUMENTS

D606,662	S	12/2009	Ritchie	
D858,911	S *	9/2019	Becattini, Jr.	D30/160
D891,008	S *	7/2020	Zeng	D30/160
D968,725	S *	11/2022	Toolan	A01K 15/026 D30/160
11,602,126	B1	3/2023	Delano	
D994,242	S *	8/2023	Toolan	D30/160
2007/0199512	A1 *	8/2007	Ellis	A01K 7/005 119/61.54
2017/0303509	A1	10/2017	Stone	
2019/0098864	A1 *	4/2019	Simon	A01K 15/025
2022/0217946	A1 *	7/2022	Toolan	A01K 15/026
2023/0337632	A1 *	10/2023	Markham	A01K 15/025

FIG. 1 is an upper front right perspective view of a pet chew toy showing our new design.
 FIG. 2 is a top plan view thereof.
 FIG. 3 is a front elevation view thereof.
 FIG. 4 is a rear elevation view thereof.
 FIG. 5 is a right side view thereof.
 FIG. 6 is a left side view thereof; and,
 FIG. 7 is a bottom plan view thereof.
 The dashed lines in the drawings depict portions of the pet chew toy that form no part of the claimed design.

1 Claim, 5 Drawing Sheets



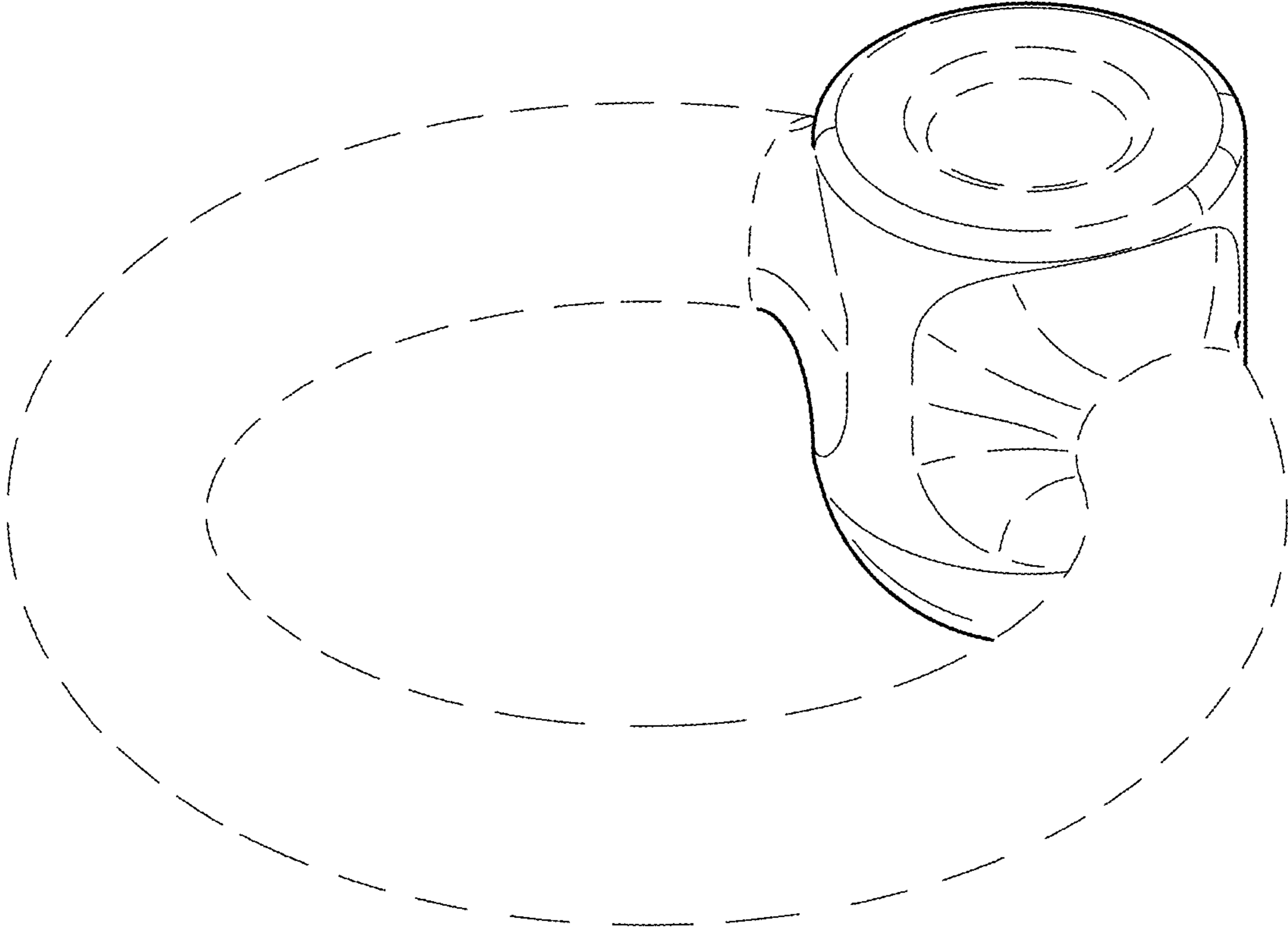


FIG. 1

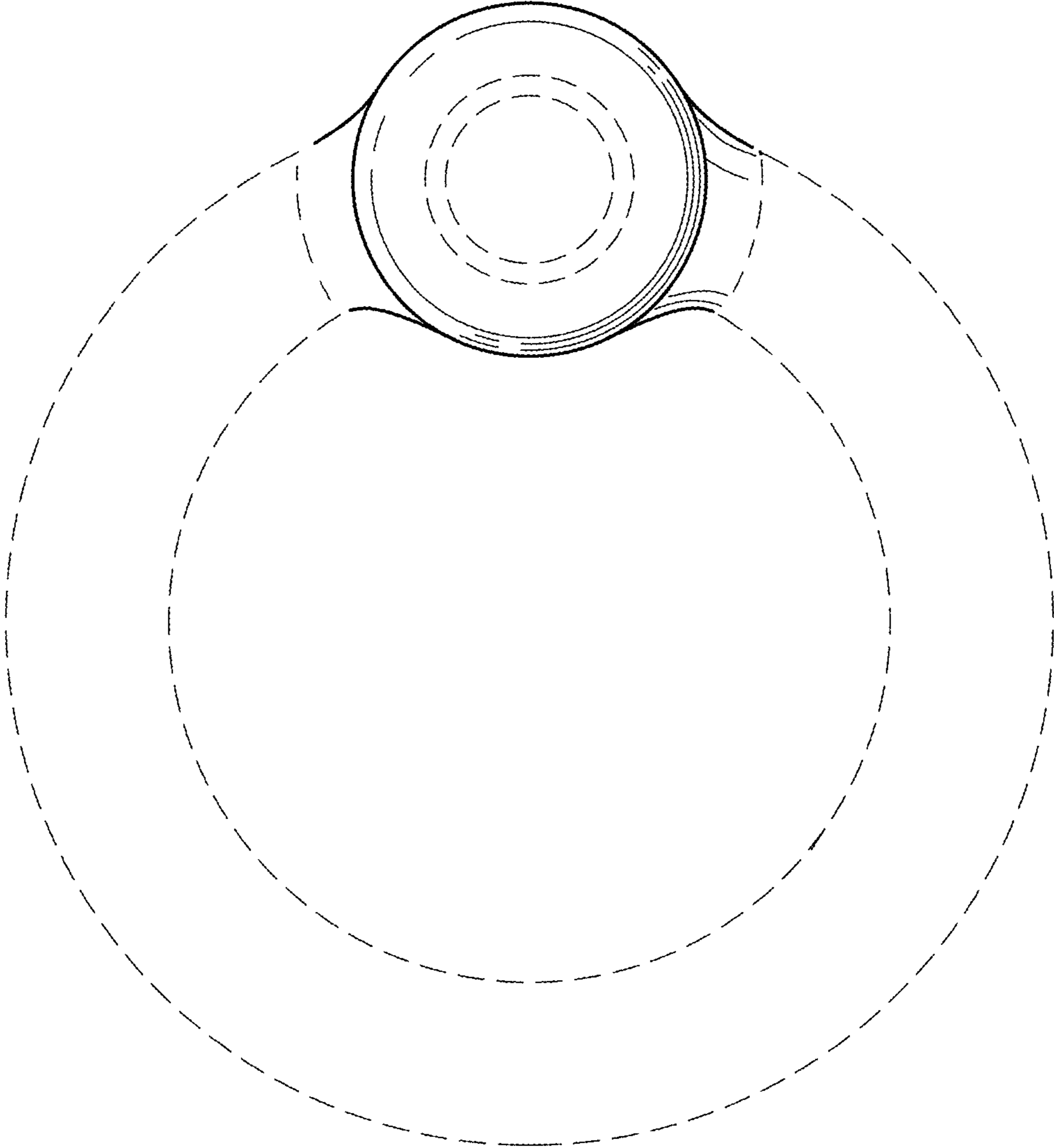


FIG. 2

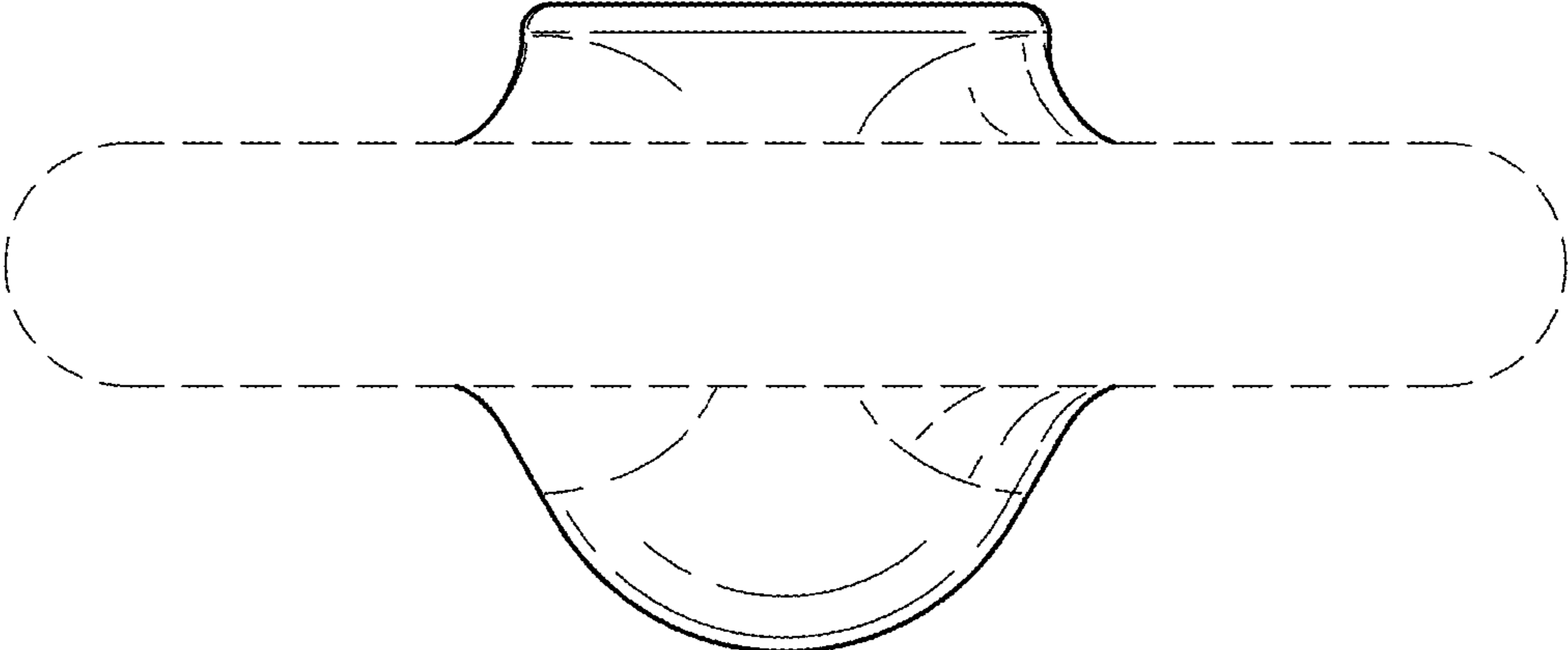


FIG. 3

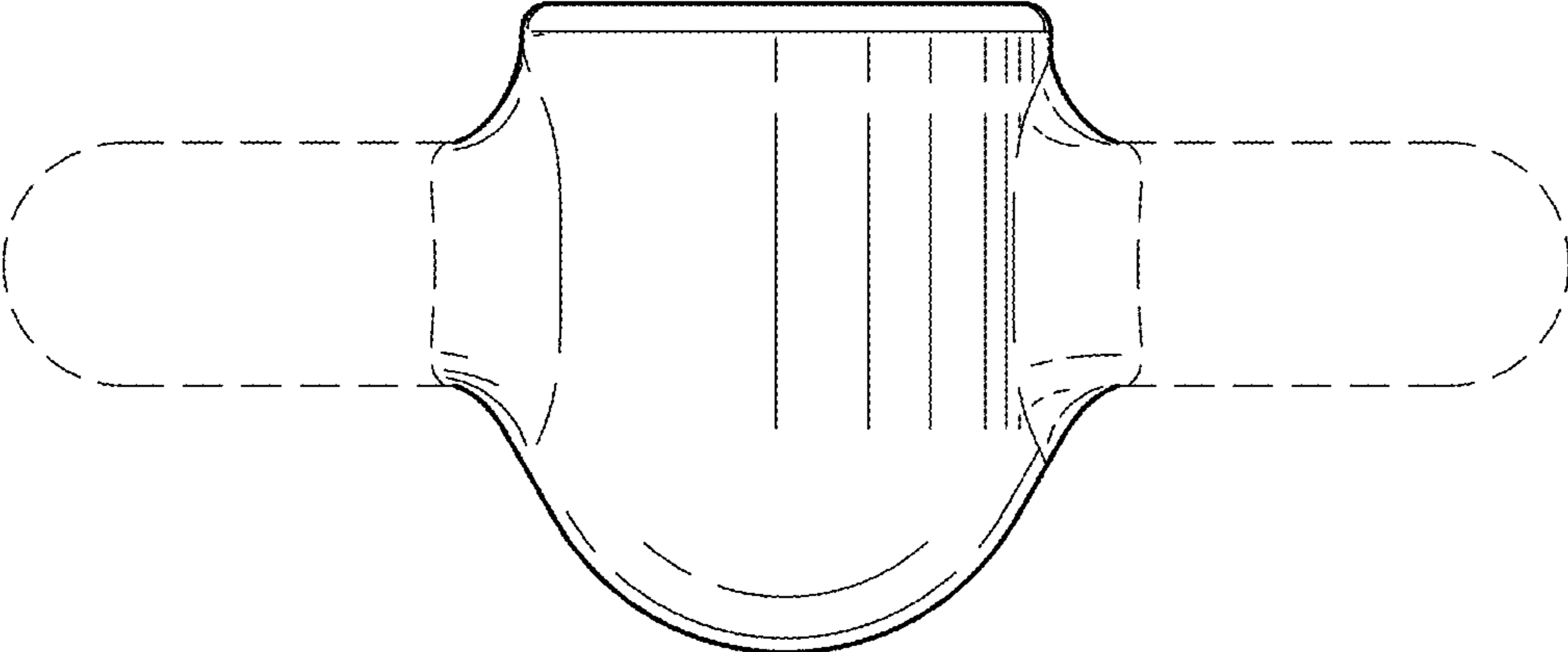


FIG. 4

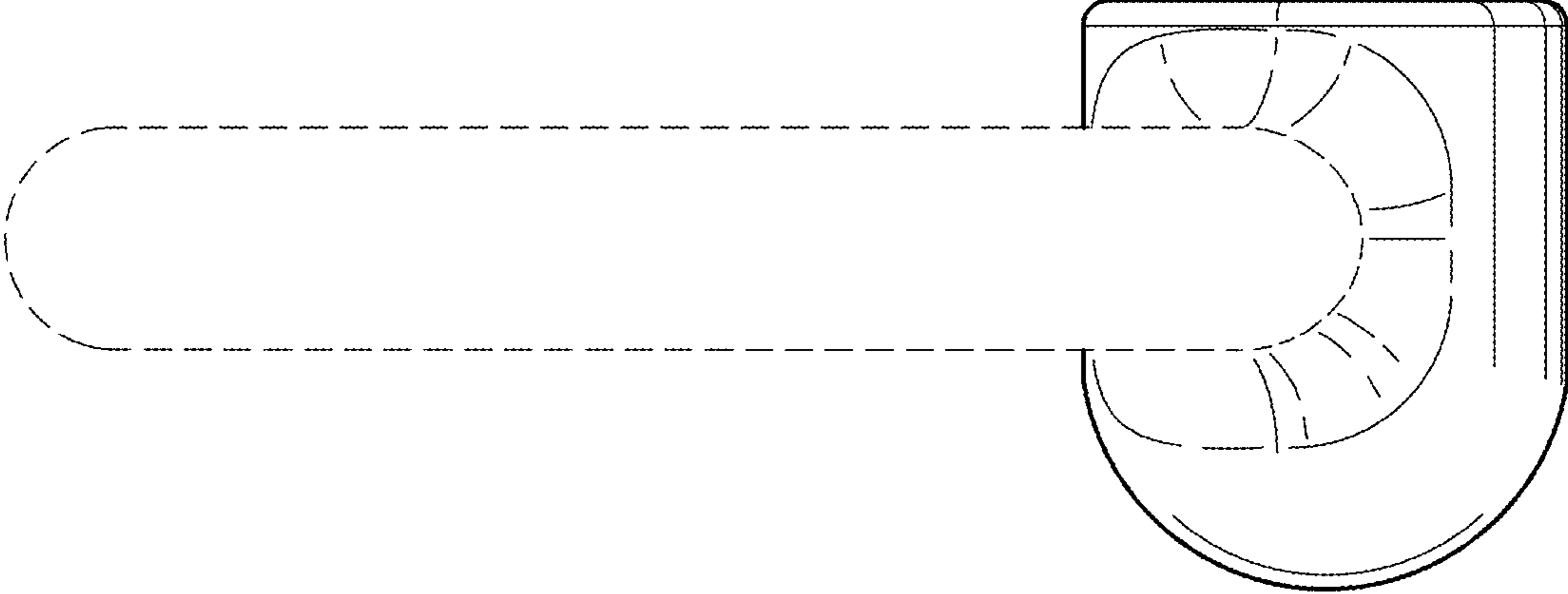


FIG. 5

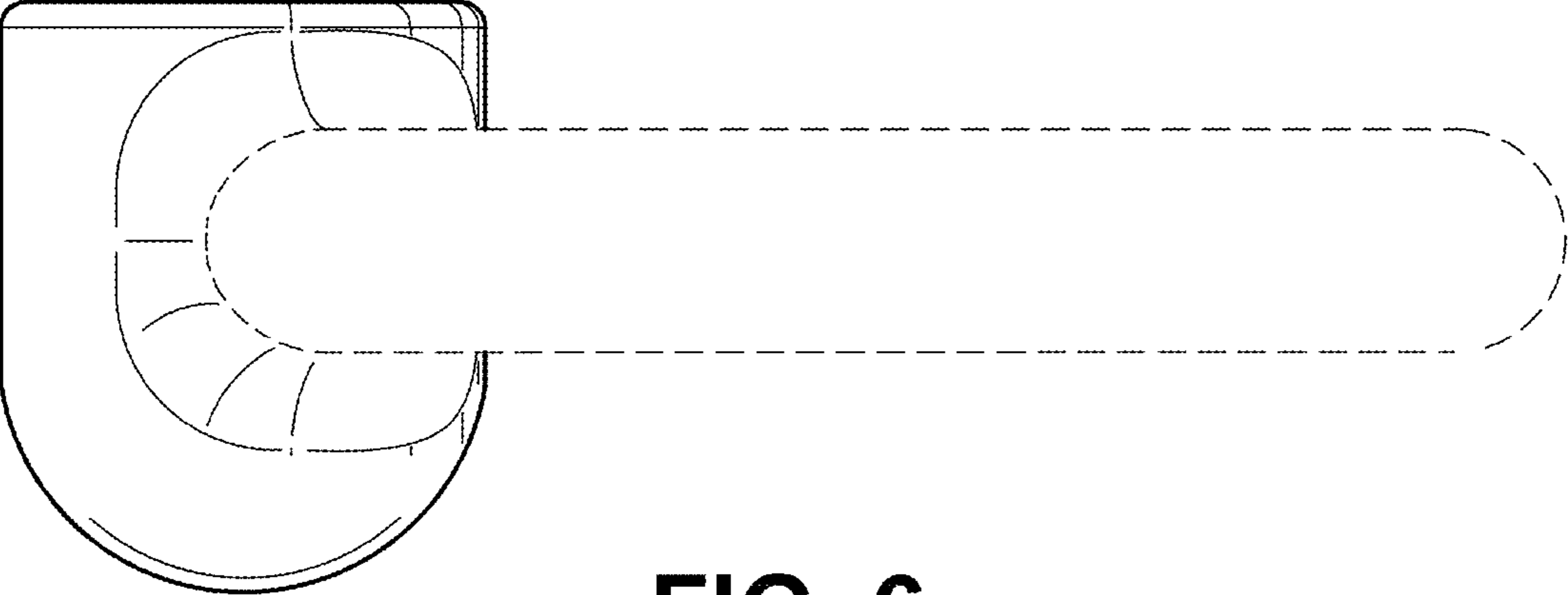


FIG. 6

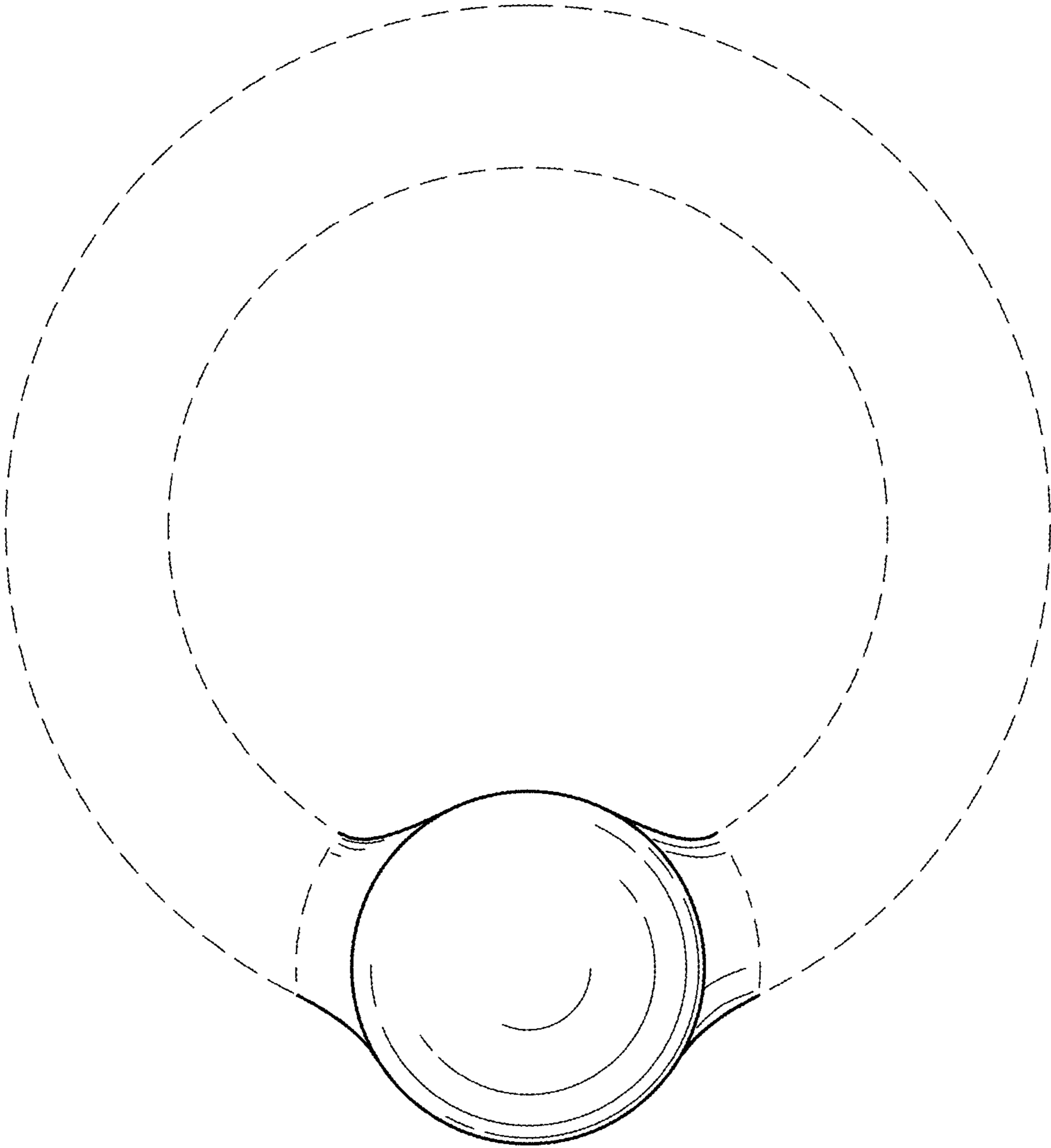


FIG. 7