



US0D1033735S

(12) **United States Design Patent** (10) **Patent No.:** **US D1,033,735 S**
Huang (45) **Date of Patent:** **** Jul. 2, 2024**

(54) **CIGAR HUMIDOR**

(71) Applicant: **Zhaoguang Huang**, Dongguan (CN)

(72) Inventor: **Zhaoguang Huang**, Dongguan (CN)

(**) Term: **15 Years**

(21) Appl. No.: **29/873,348**

(22) Filed: **Mar. 30, 2023**

(51) **LOC (14) Cl.** **27-06**

(52) **U.S. Cl.**
USPC **D27/189**

(58) **Field of Classification Search**
USPC D27/189, 186-188, 183, 172, 190
CPC A24F 25/02; A24F 25/00; A45C 11/16
See application file for complete search history.

(56) **References Cited**

U.S. PATENT DOCUMENTS

D374,946 S *	10/1996	Meurlin	D27/189
5,607,051 A *	3/1997	Espinosa	B65D 85/12 206/256
D398,715 S *	9/1998	Descalzo	D27/189
D399,598 S *	10/1998	Perkins	D27/189
D416,105 S *	11/1999	Garrison	D27/189
D910,912 S *	2/2021	Slate	D27/189
D943,823 S *	2/2022	Yang	D27/189
D967,518 S *	10/2022	Damti	D27/172
D974,652 S *	1/2023	Huang	D27/189
D976,482 S *	1/2023	Calvo Guerrero	B65D 51/245 D27/183
D980,516 S *	3/2023	Slate	D27/189
D980,517 S *	3/2023	Slate	D27/189
D981,036 S *	3/2023	Slate	D27/189
D987,179 S *	5/2023	Broussard	D27/190
D1,009,357 S *	12/2023	Yang	D27/189

D1,014,840 S *	2/2024	Xiao	D27/189
2009/0014019 A1 *	1/2009	Park	A24F 25/00 131/328
2020/0037661 A1 *	2/2020	Slate	A24F 25/02

OTHER PUBLICATIONS

Cigar Humidor by: Mojgar found on Amazon (Apr. 20, 2024)
<https://www.amazon.com/Mojgar-Handmade-Mechanical-Hygrometer-Humidifiers/dp/B0C4DTWP4G/ref=> (Dec. 21, 2023).*

* cited by examiner

Primary Examiner — Rebecca Tsehaye

(74) Attorney, Agent, or Firm — Vladimir Postnikov

(57) **CLAIM**

The ornamental design for a cigar humidor, as shown and described.

DESCRIPTION

FIG. 1 is a front elevation view of a cigar humidor showing the new design;

FIG. 2 is a back elevation view thereof;

FIG. 3 is a left-side view thereof;

FIG. 4 is a right-side view thereof;

FIG. 5 is a top plan view thereof;

FIG. 6 is a bottom plan view thereof;

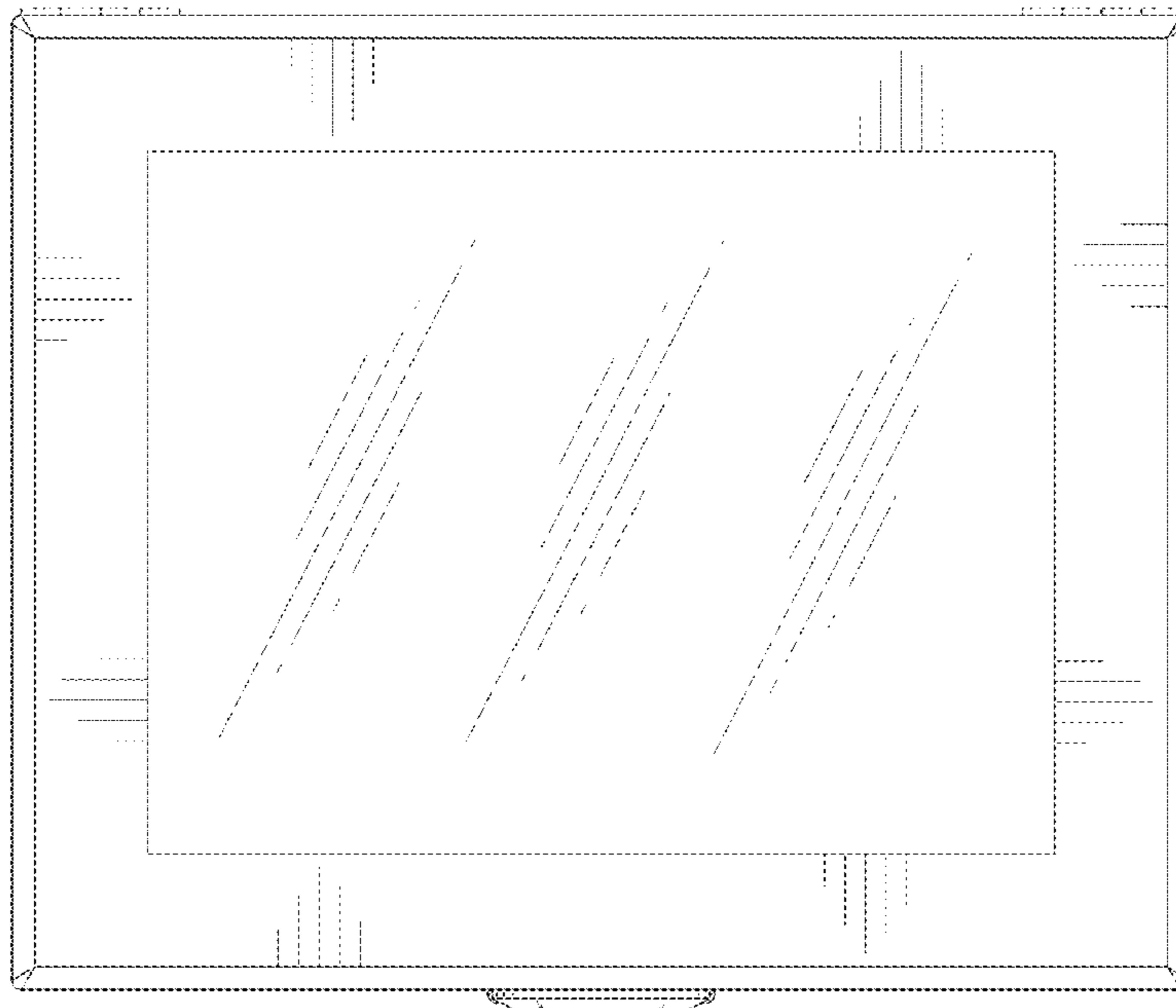
FIG. 7 is a perspective view thereof;

FIG. 8 is another perspective view thereof; and,

FIG. 9 is an enlarged view of the encircled portion in FIG.1. The broken lines depict portions of the article that form no part of the claimed design.

The evenly-spaced broken lines in the drawings depict portions of the cigar humidor that form no part of the claimed design; The broken lines consisting of dash-dot-dash lines are for purposes of annotating the enlarged view only and form no part of the claimed design.

1 Claim, 9 Drawing Sheets



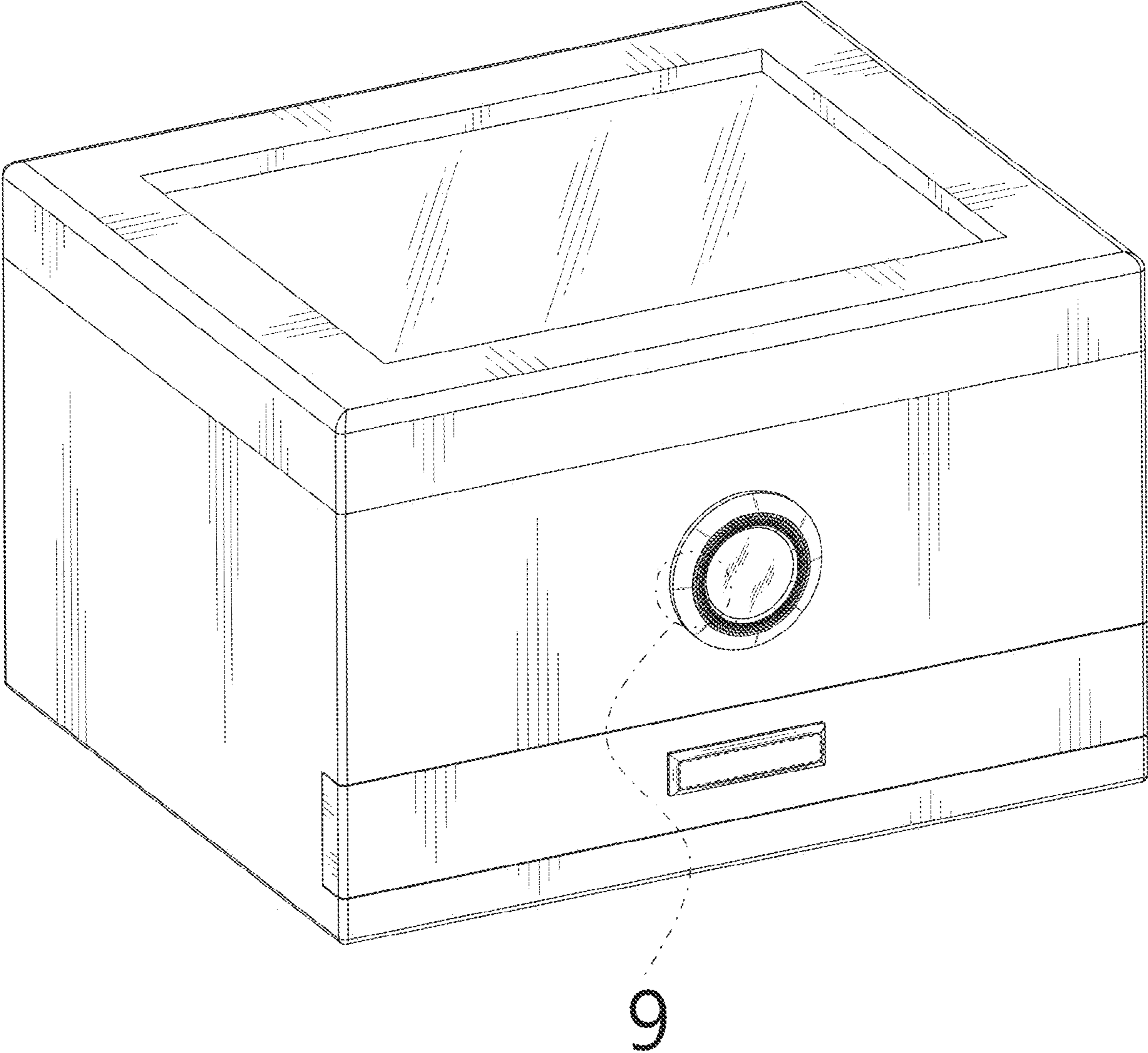


FIG. 1

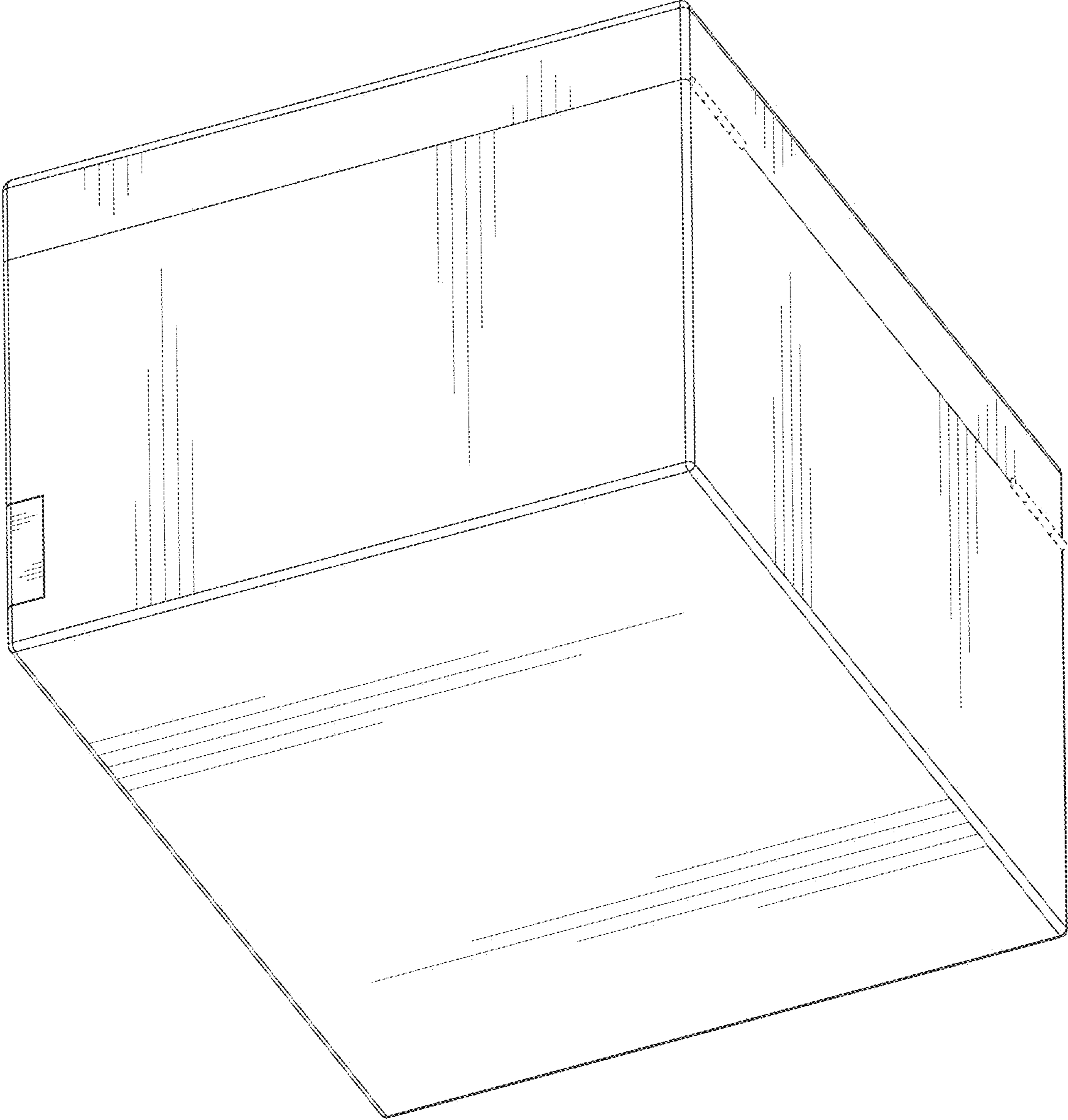


FIG. 2

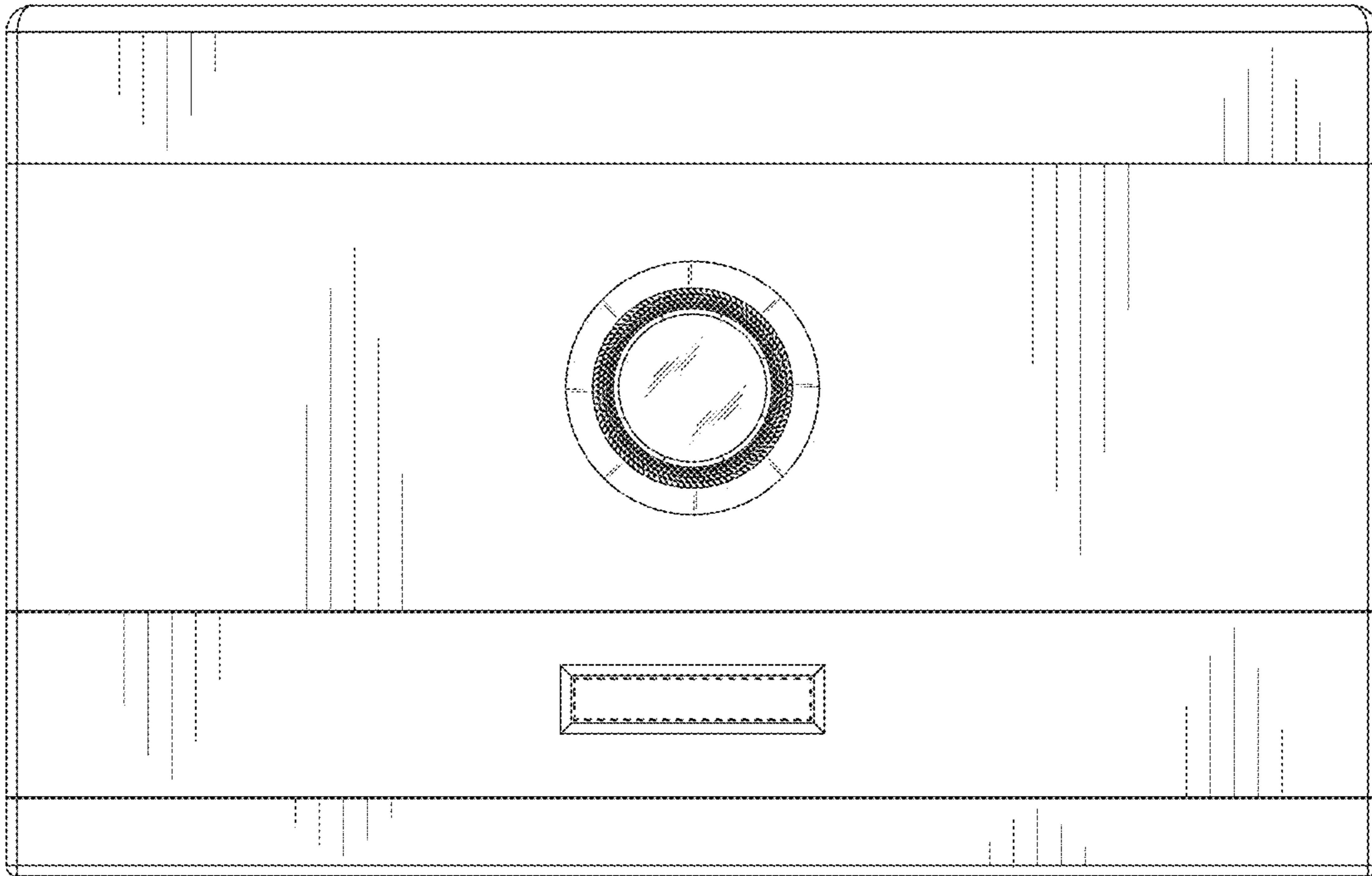


FIG. 3

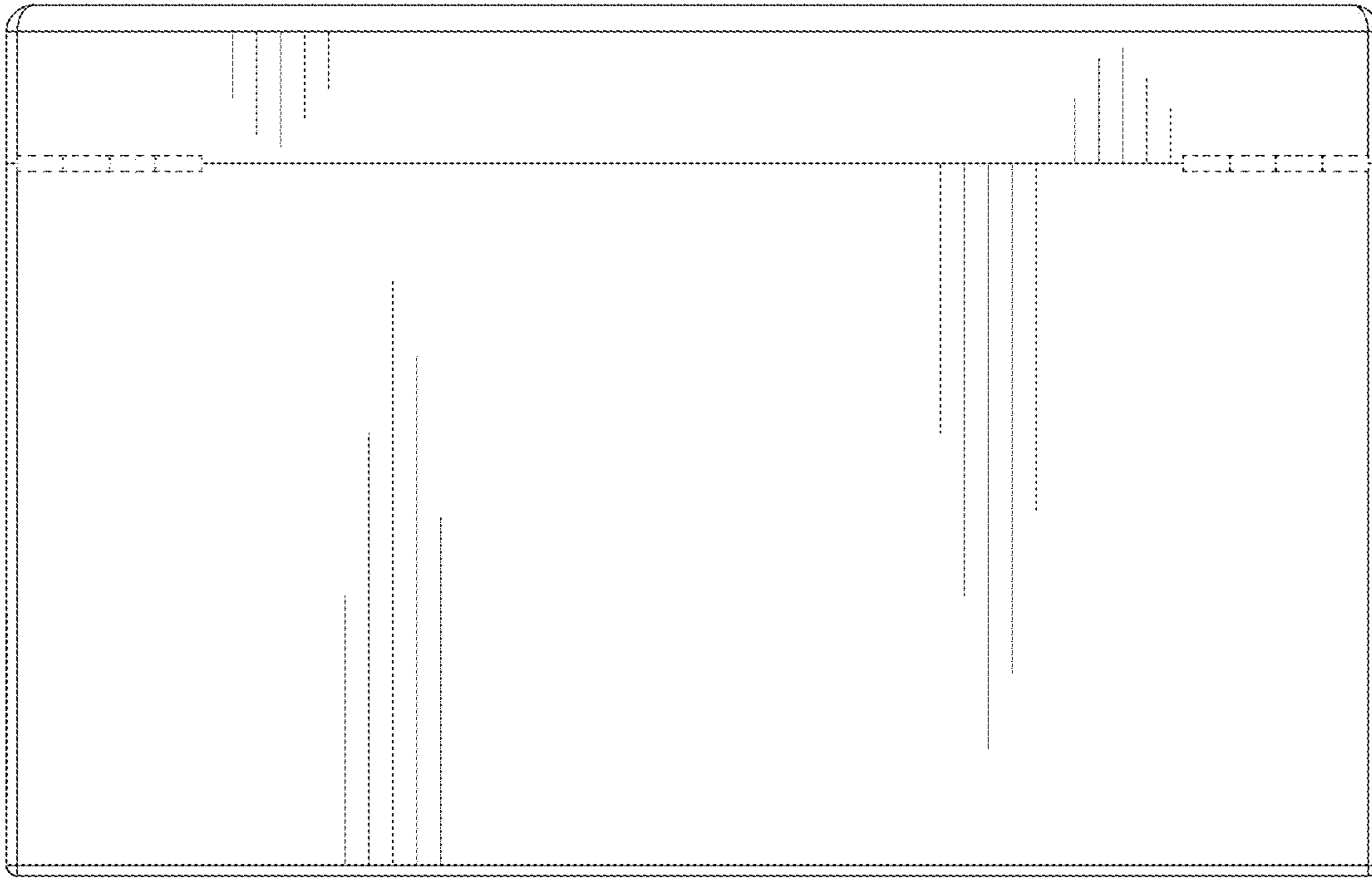


FIG. 4

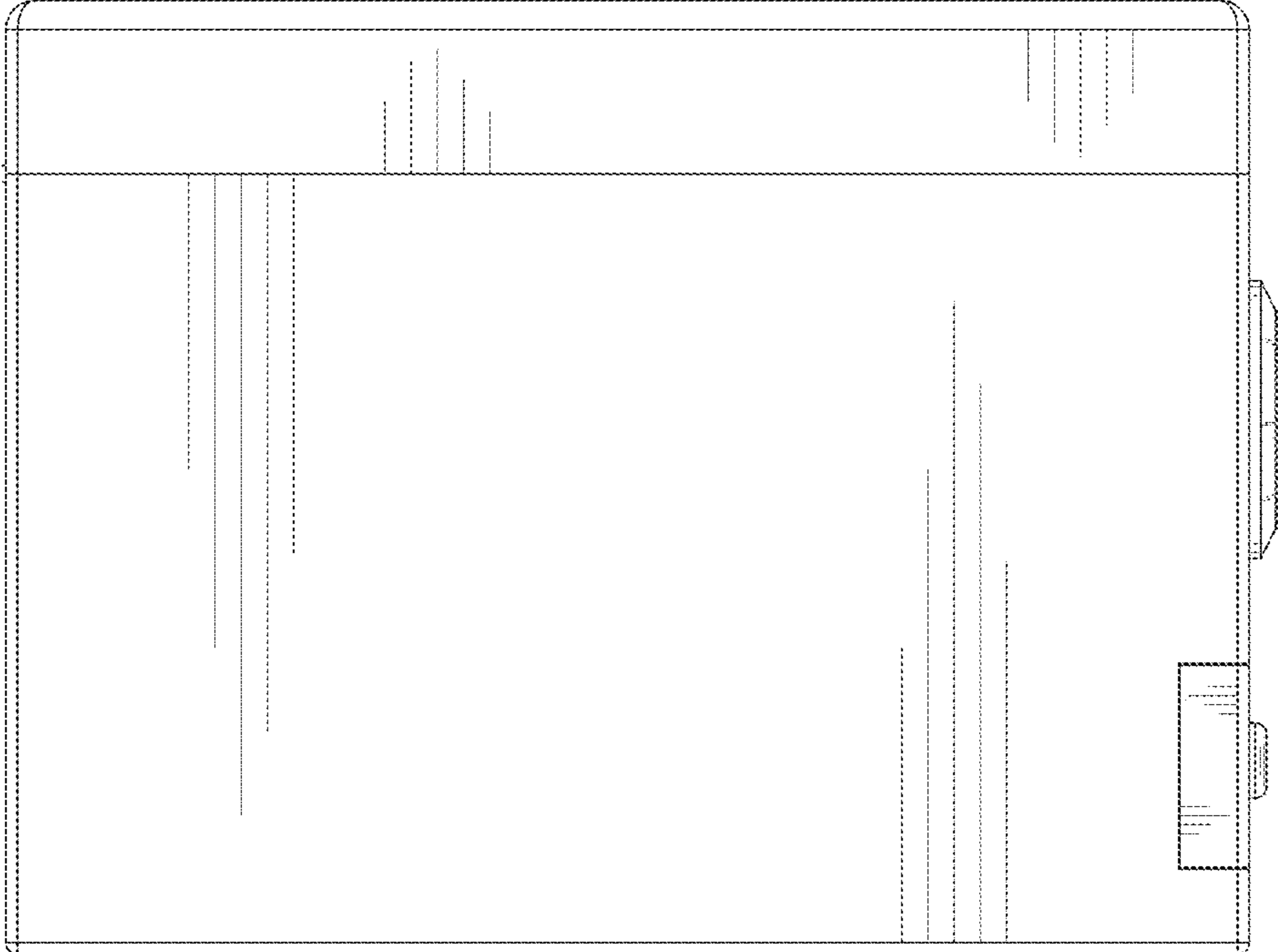


FIG. 5

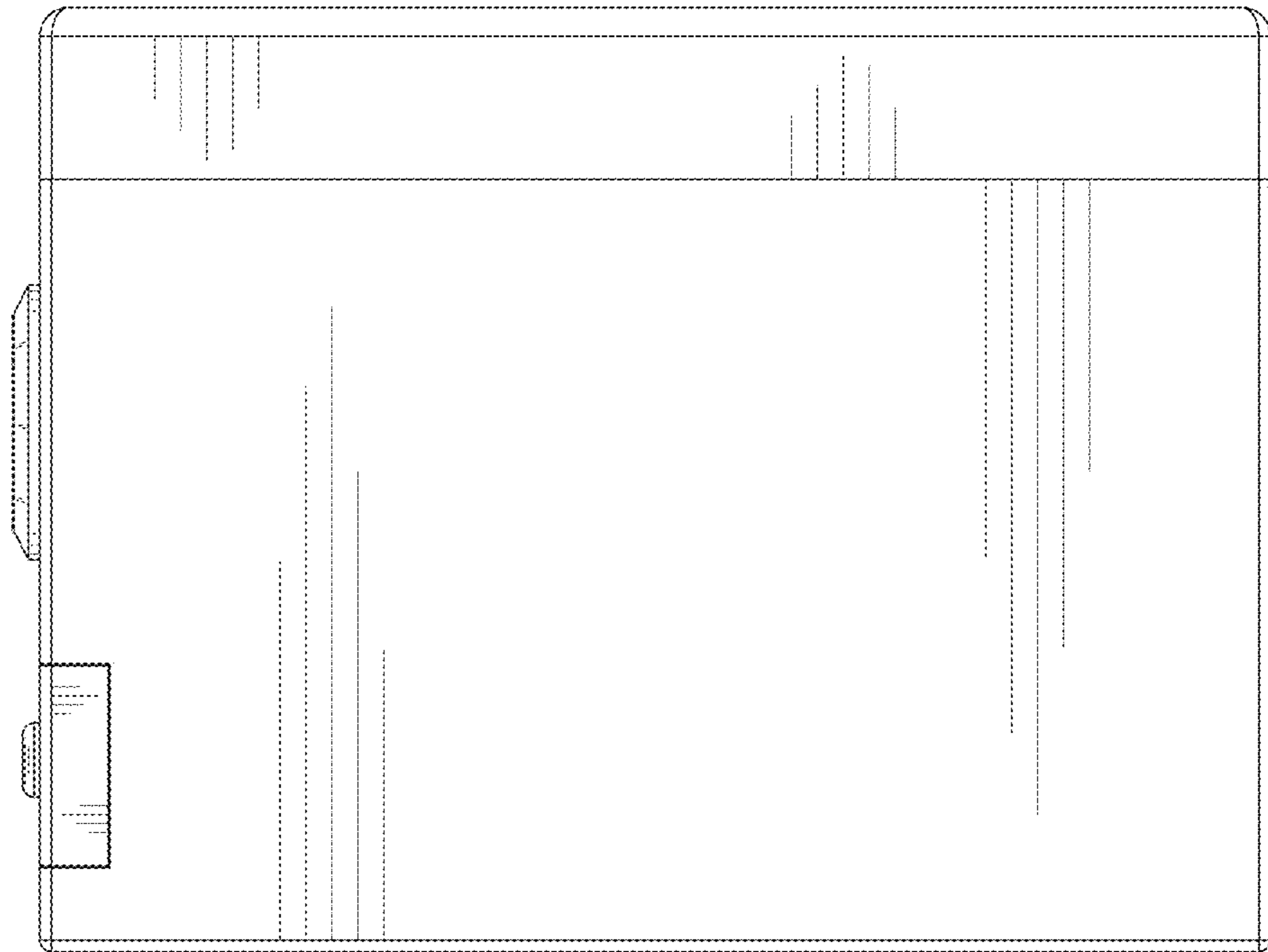


FIG. 6

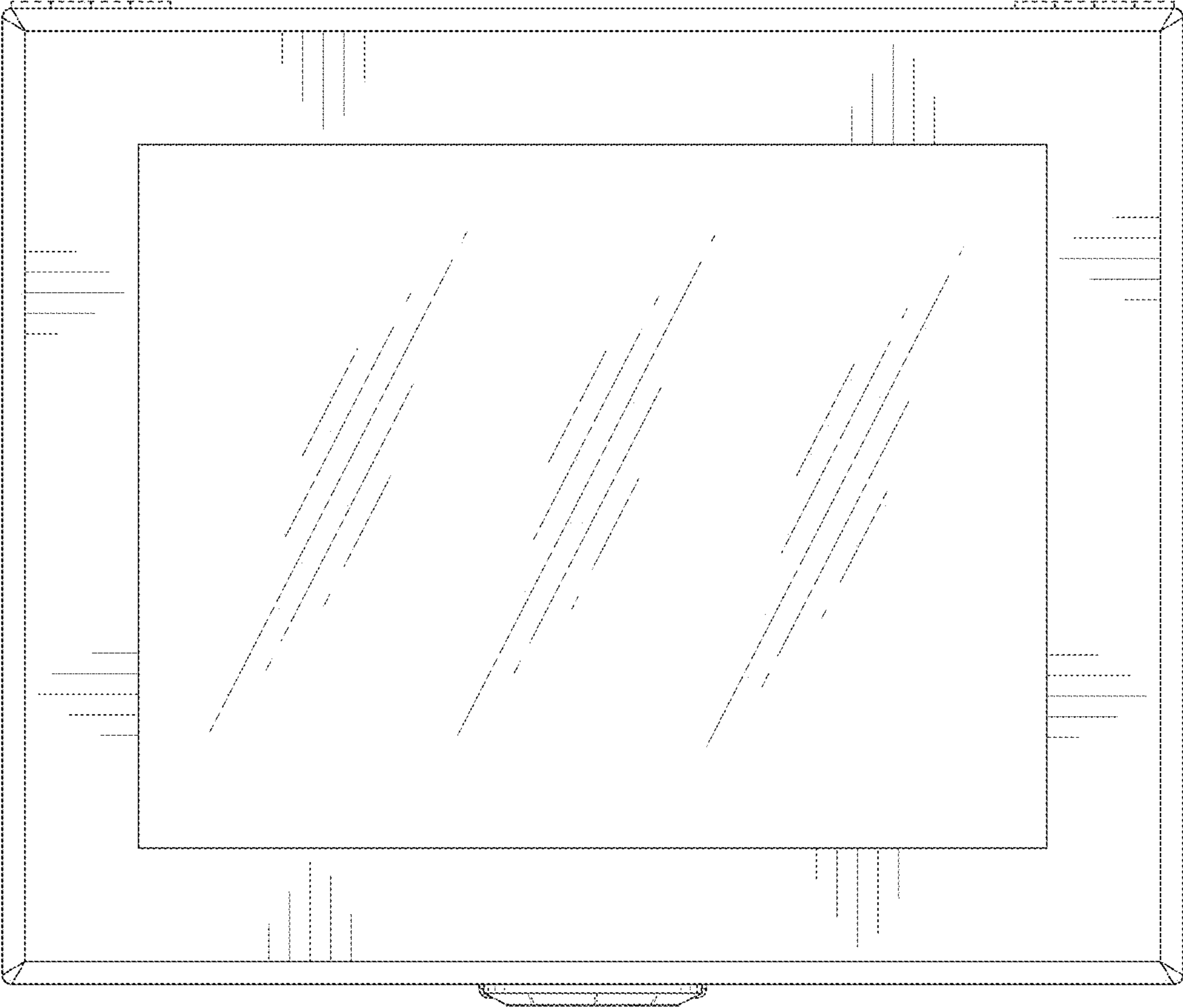


FIG. 7

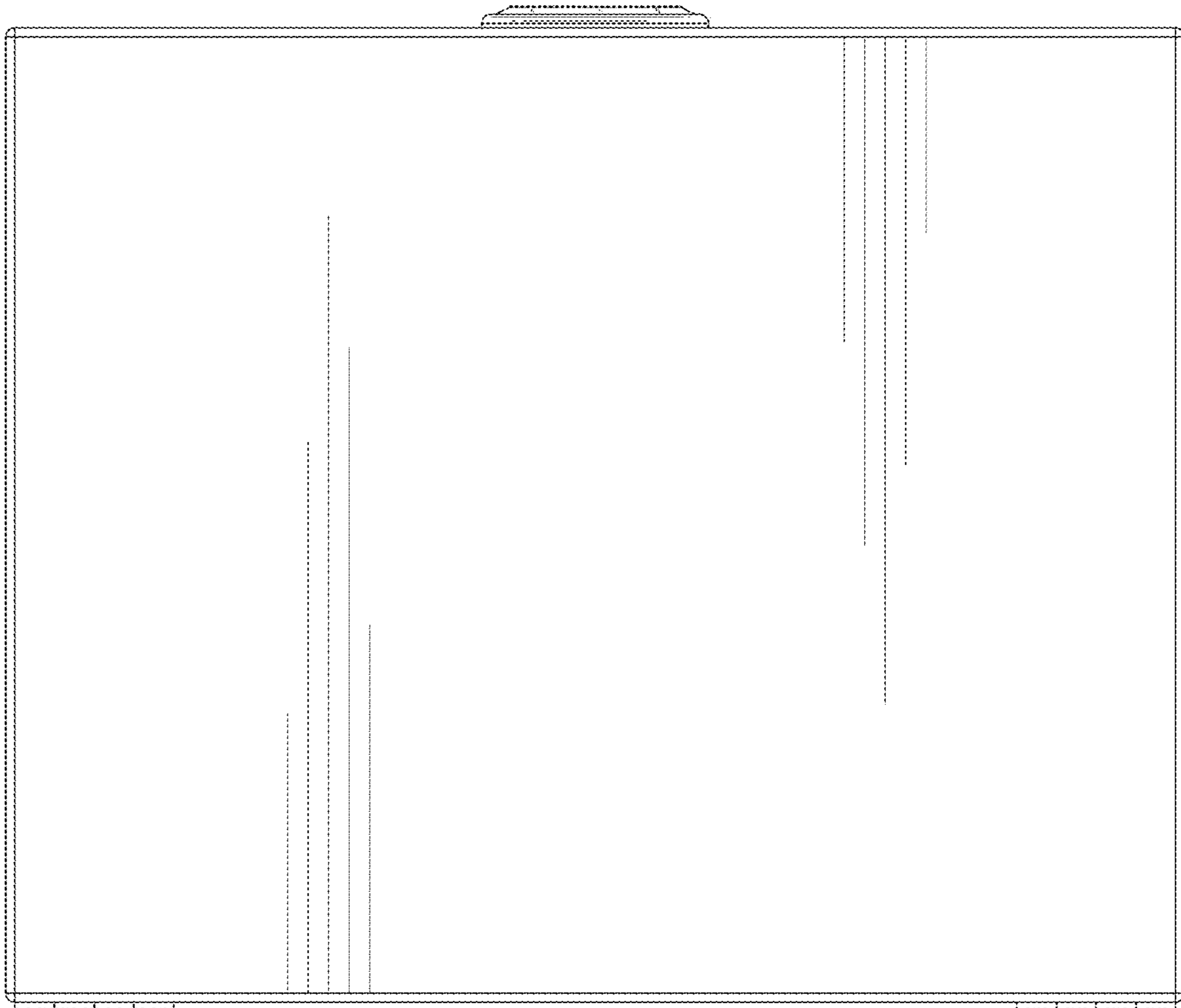


FIG. 8

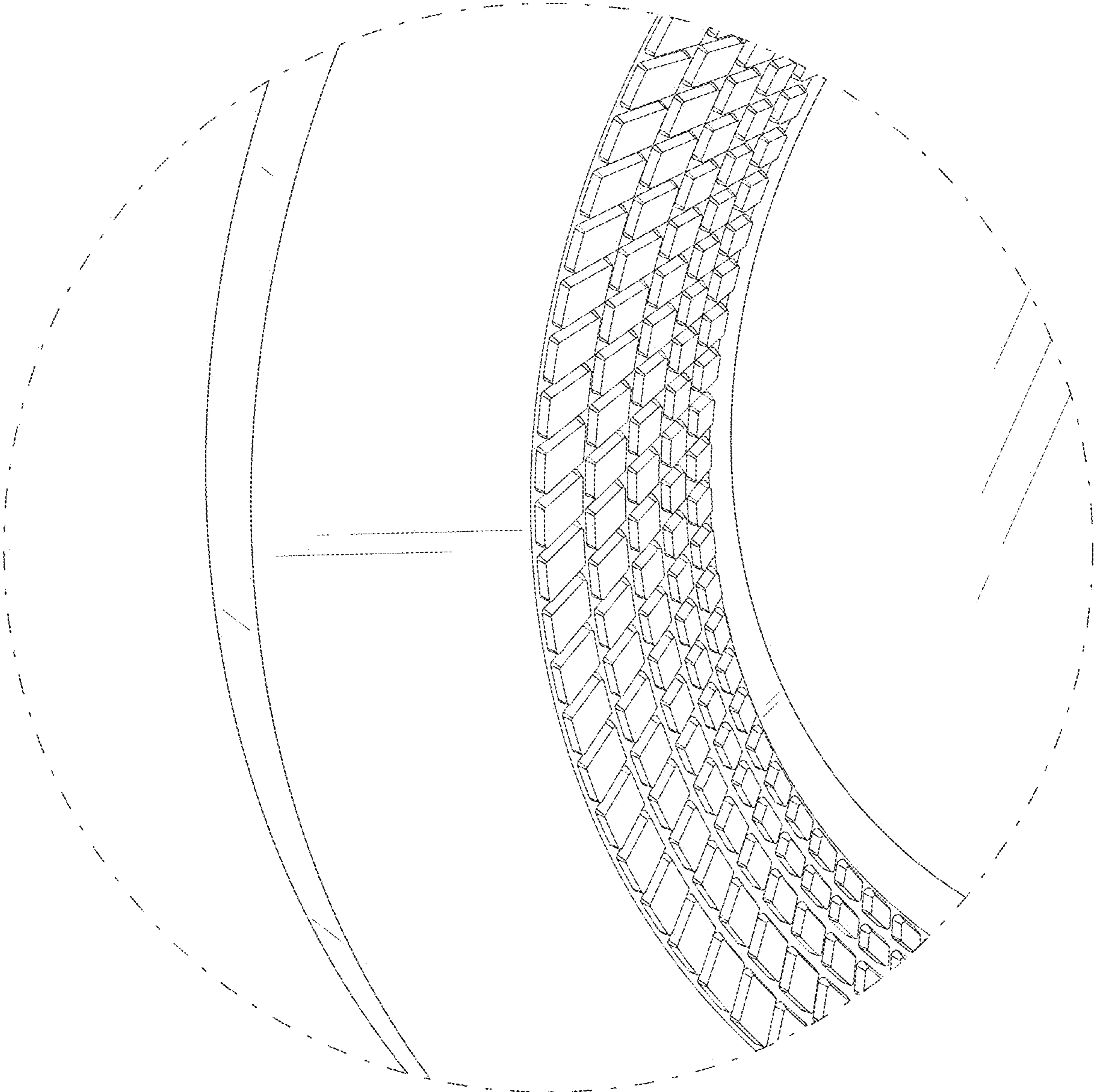


FIG. 9