



US0D1033698S

(12) **United States Design Patent** (10) **Patent No.:** **US D1,033,698 S**  
**Mujcinovic et al.** (45) **Date of Patent:** **\*\* Jul. 2, 2024**

(54) **VEHICLE HEADLAMP**  
(71) Applicant: **Ford Global Technologies, LLC**,  
Dearborn, MI (US)  
(72) Inventors: **Nedzad Mujcinovic**, Lohr am Main  
(DE); **Jordan Demkiw**, Cologne (DE)  
(73) Assignee: **Ford Global Technologies, LLC**,  
Dearborn, MI (US)  
(\*\*) Term: **15 Years**

D951,501 S \* 5/2022 Hirai ..... D26/28  
D954,305 S \* 6/2022 Lin ..... D26/28  
D956,287 S \* 6/2022 Zhao ..... D26/28  
D958,418 S \* 7/2022 Choi ..... D26/28  
D958,426 S \* 7/2022 Wu ..... D26/28  
D959,033 S \* 7/2022 Wu ..... D26/28  
D959,034 S \* 7/2022 Wu ..... D26/28  
D964,610 S \* 9/2022 Lin ..... D26/28  
D975,323 S \* 1/2023 Choo ..... D26/28  
D975,892 S \* 1/2023 Wu ..... D26/28  
D981,606 S \* 3/2023 Zhai ..... D26/28  
D981,607 S \* 3/2023 Zhai ..... D26/28  
D983,702 S \* 4/2023 Shimada ..... D12/91

(Continued)

(21) Appl. No.: **29/861,909**  
(22) Filed: **Dec. 5, 2022**  
(51) **LOC (14) Cl.** ..... **26-06**  
(52) **U.S. Cl.**  
USPC ..... **D26/28**  
(58) **Field of Classification Search**  
USPC ..... D26/28, 29, 30, 31, 32, 33, 34, 35, 36,  
D26/37, 139  
CPC .. F21S 43/00; F21S 41/32; F21S 41/36; F21S  
41/50; F21S 41/26; F21S 41/00; F21S  
41/20; B60Q 1/00; F21W 2102/00; F21W  
2103/00; F21W 2103/10; F21W 2104/00  
See application file for complete search history.

**OTHER PUBLICATIONS**

Infiniti of West Chester, [online], [site visited Feb. 23, 2024].  
Available from Internet, URL: [https://www.infinitiofwestchesterparts.com/p/INFINITI\\_QX50/Headlight-Lamp--Left/89562702/26060-5NS2A.html?](https://www.infinitiofwestchesterparts.com/p/INFINITI_QX50/Headlight-Lamp--Left/89562702/26060-5NS2A.html?) (Year: 2024).\*

*Primary Examiner* — Sheryl Lane  
*Assistant Examiner* — Kathryn Elizabeth Chambers  
(74) *Attorney, Agent, or Firm* — Vichit Chea

(57) **CLAIM**

The ornamental design for a vehicle headlamp, as shown and described.

(56) **References Cited**

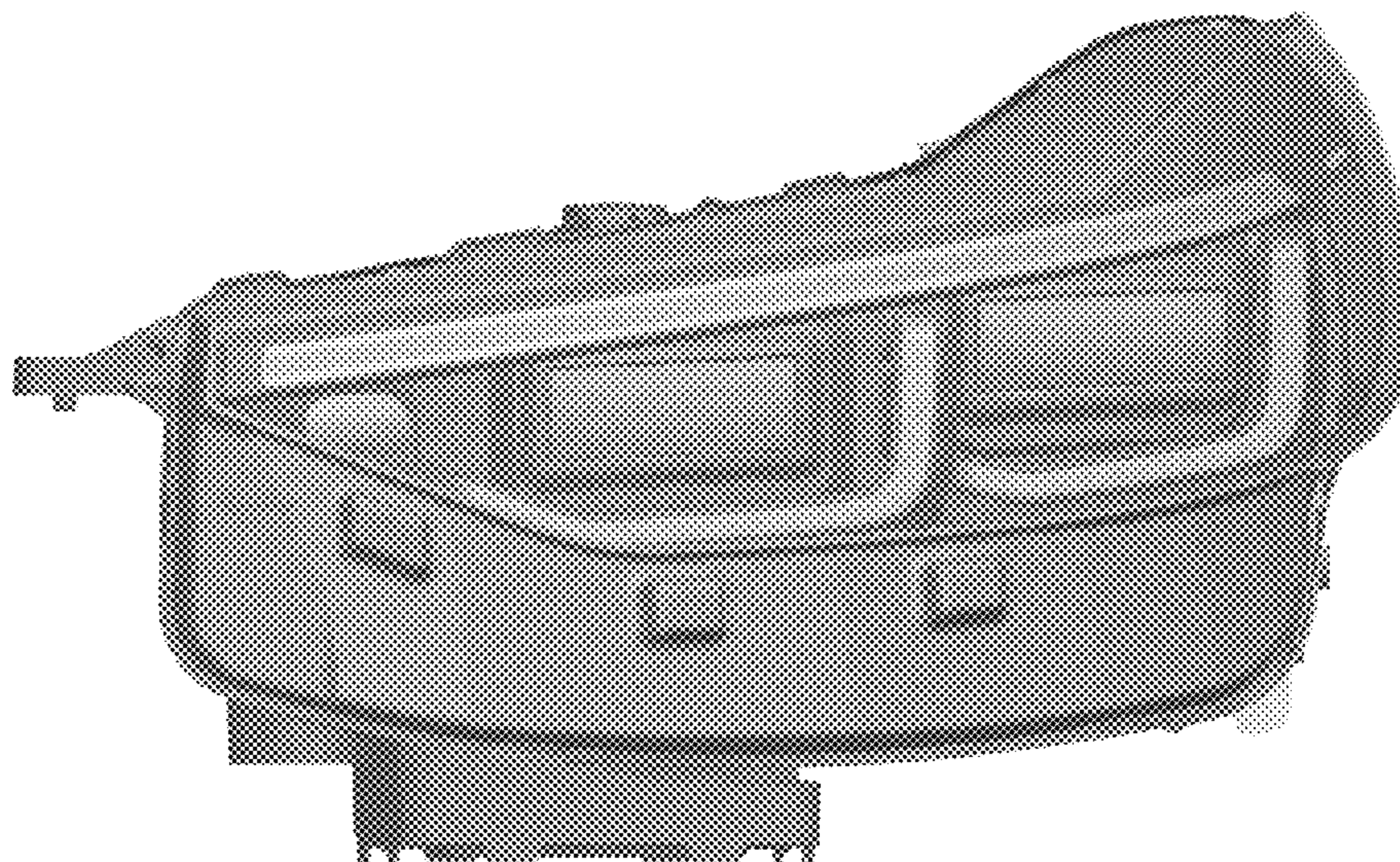
**DESCRIPTION**

**U.S. PATENT DOCUMENTS**

D857,954 S \* 8/2019 Han ..... F21S 43/00  
D26/28  
D858,827 S \* 9/2019 Choo ..... F21S 43/00  
D26/28  
D866,022 S \* 11/2019 Hannemann ..... D26/28  
D866,023 S \* 11/2019 Hannemann ..... D26/28  
D907,820 S \* 1/2021 Runde ..... D26/28  
D938,630 S \* 12/2021 Allmendinger ..... D26/28  
D938,631 S \* 12/2021 Allmendinger ..... D26/28  
D940,361 S \* 1/2022 Ito ..... D26/28  
D950,803 S \* 5/2022 He ..... D26/28  
D950,817 S \* 5/2022 Kuehn ..... D26/28

FIG. 1 is a front elevational view of a vehicle headlamp, showing our new design;  
FIG. 2 is a rear elevational view thereof;  
FIG. 3 is a left side elevational view thereof;  
FIG. 4 is a right side elevational view thereof;  
FIG. 5 is a top plan view thereof;  
FIG. 6 is a bottom plan view thereof;  
FIG. 7 is a first perspective view thereof;  
FIG. 8 is a second perspective view thereof; and,  
FIG. 9 is a third perspective view thereof.

**1 Claim, 9 Drawing Sheets**



(56)

References Cited

U.S. PATENT DOCUMENTS

D986,450	S	*	5/2023	Badstuebner	.....	D26/28
D990,730	S	*	6/2023	Depeyster	.....	D26/28
D992,159	S	*	7/2023	He	.....	D26/28
D992,163	S	*	7/2023	Rahmel	.....	D26/28
D992,772	S	*	7/2023	Ewe	.....	D26/28
D992,773	S	*	7/2023	Ewe	.....	D26/28
D994,923	S	*	8/2023	Rahmel	.....	D26/28
D994,930	S	*	8/2023	Lin	.....	D26/28
D994,933	S	*	8/2023	Choo	.....	D26/28
D998,198	S	*	9/2023	Zhai	.....	D26/28
D999,413	S	*	9/2023	Zhai	.....	D26/28
D999,414	S	*	9/2023	Zhai	.....	D26/28
D999,948	S	*	9/2023	Ea	.....	D26/28
D1,001,327	S	*	10/2023	Woywood	.....	D26/28
D1,004,833	S	*	11/2023	Lee	.....	D26/139
D1,005,532	S	*	11/2023	Woywood	.....	D26/28
D1,005,533	S	*	11/2023	Woywood	.....	D26/28
D1,007,717	S	*	12/2023	Jacobsthal	.....	D26/28
D1,007,723	S	*	12/2023	Piaskowski	.....	D26/36
D1,009,321	S	*	12/2023	Allmendinger	.....	D26/28
D1,010,174	S	*	1/2024	Allmendinger	.....	D26/28
D1,010,175	S	*	1/2024	Loisch	.....	D26/28
D1,010,178	S	*	1/2024	Allmendinger	.....	D26/28
D1,010,873	S	*	1/2024	Lin	.....	D26/28
D1,010,874	S	*	1/2024	Lin	.....	D26/28
D1,010,884	S	*	1/2024	Kushima	.....	D26/28
D1,010,885	S	*	1/2024	Chen	.....	D26/28
D1,011,606	S	*	1/2024	Lee	.....	D26/28
D1,014,834	S	*	2/2024	Curic	.....	D26/28
D1,014,835	S	*	2/2024	He	.....	D26/28
2019/0093854	A1	*	3/2019	Prisby	.....	B60Q 1/2607

\* cited by examiner



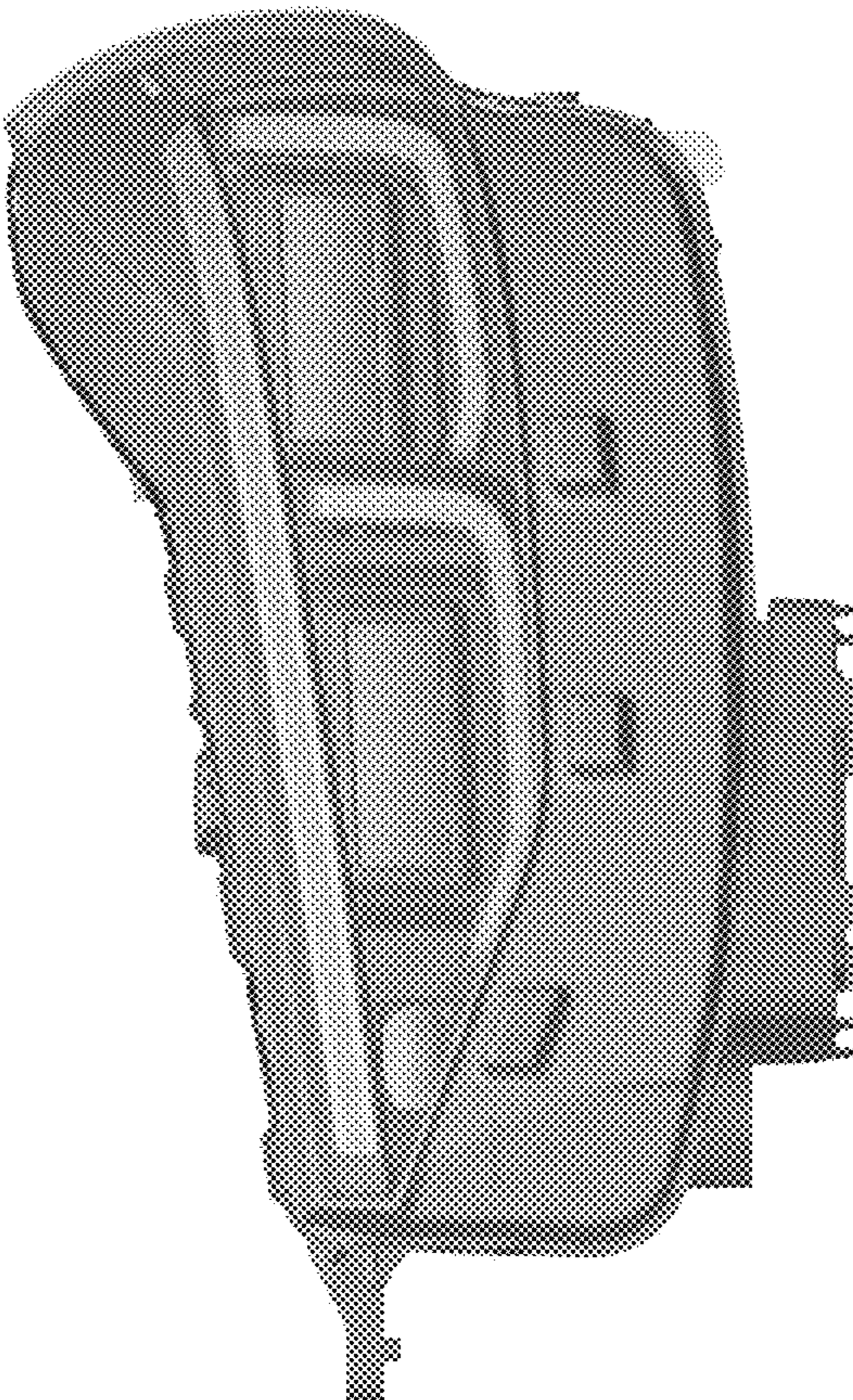


Fig. 1

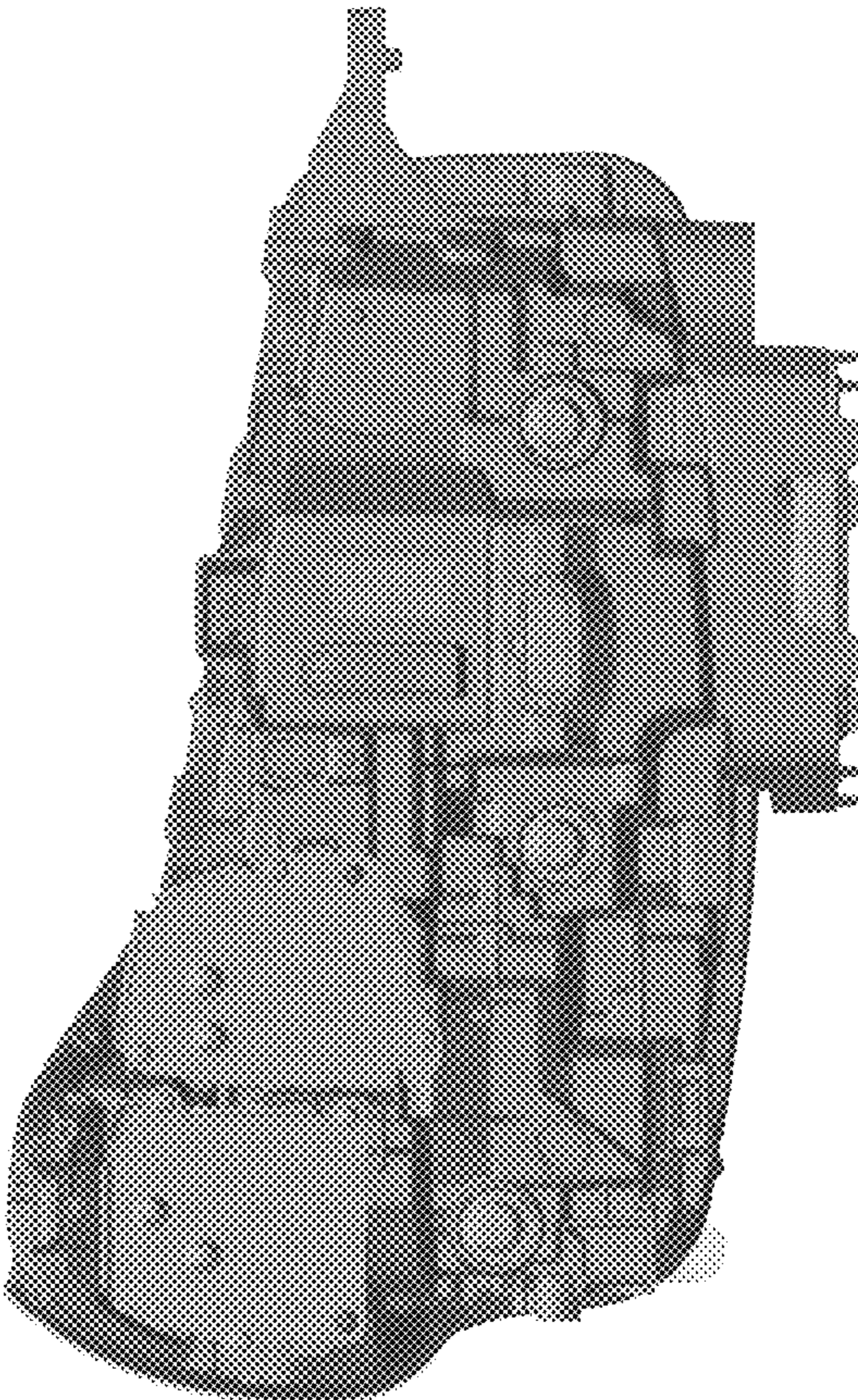


Fig. 2



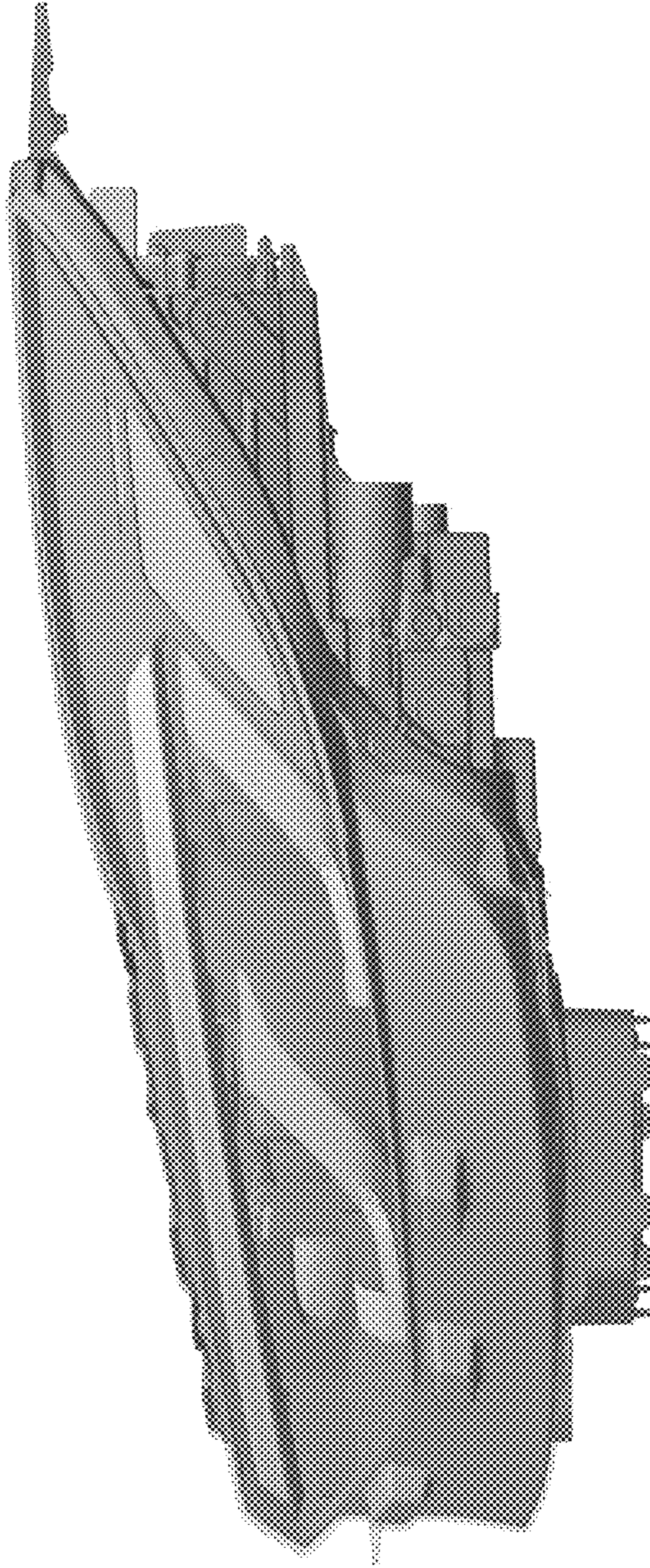


Fig. 3

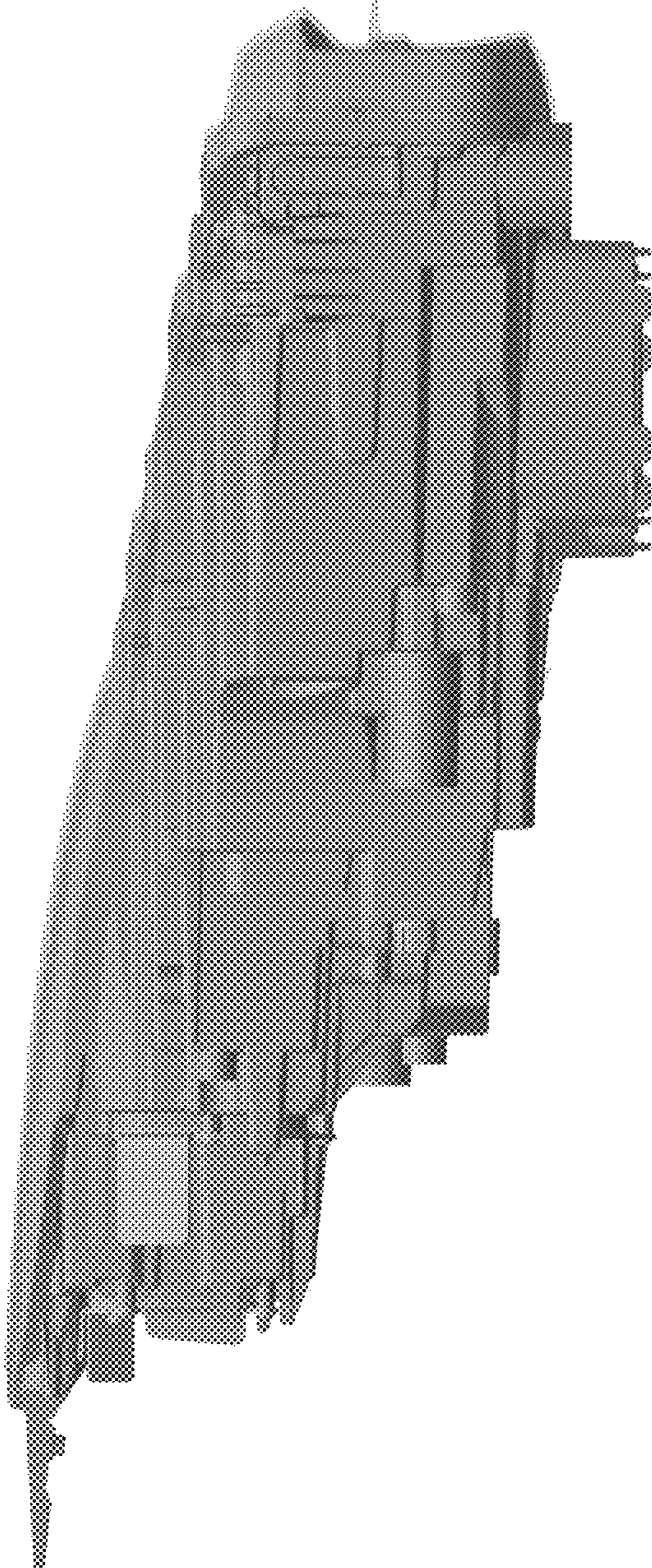


Fig. 4



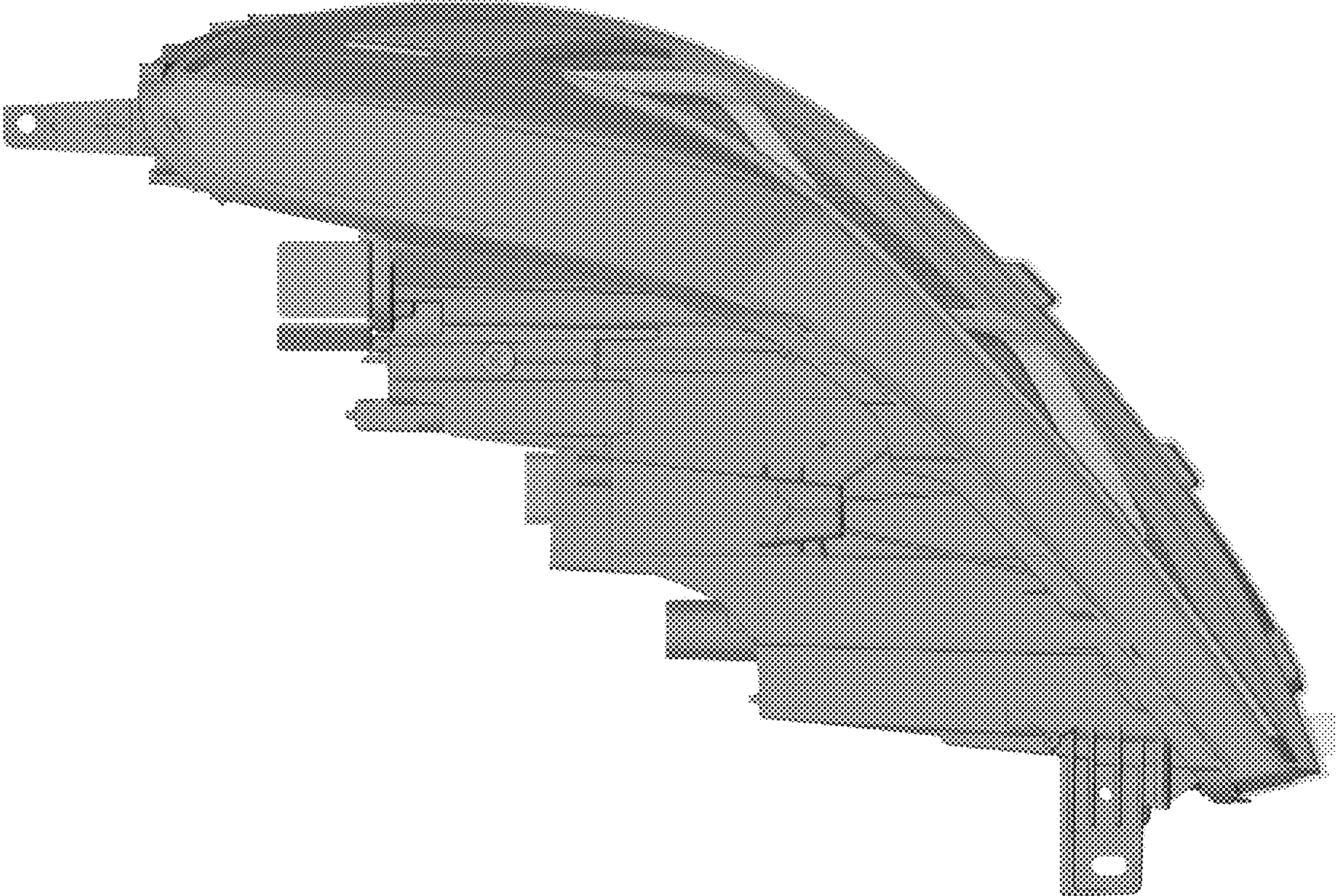


Fig. 5

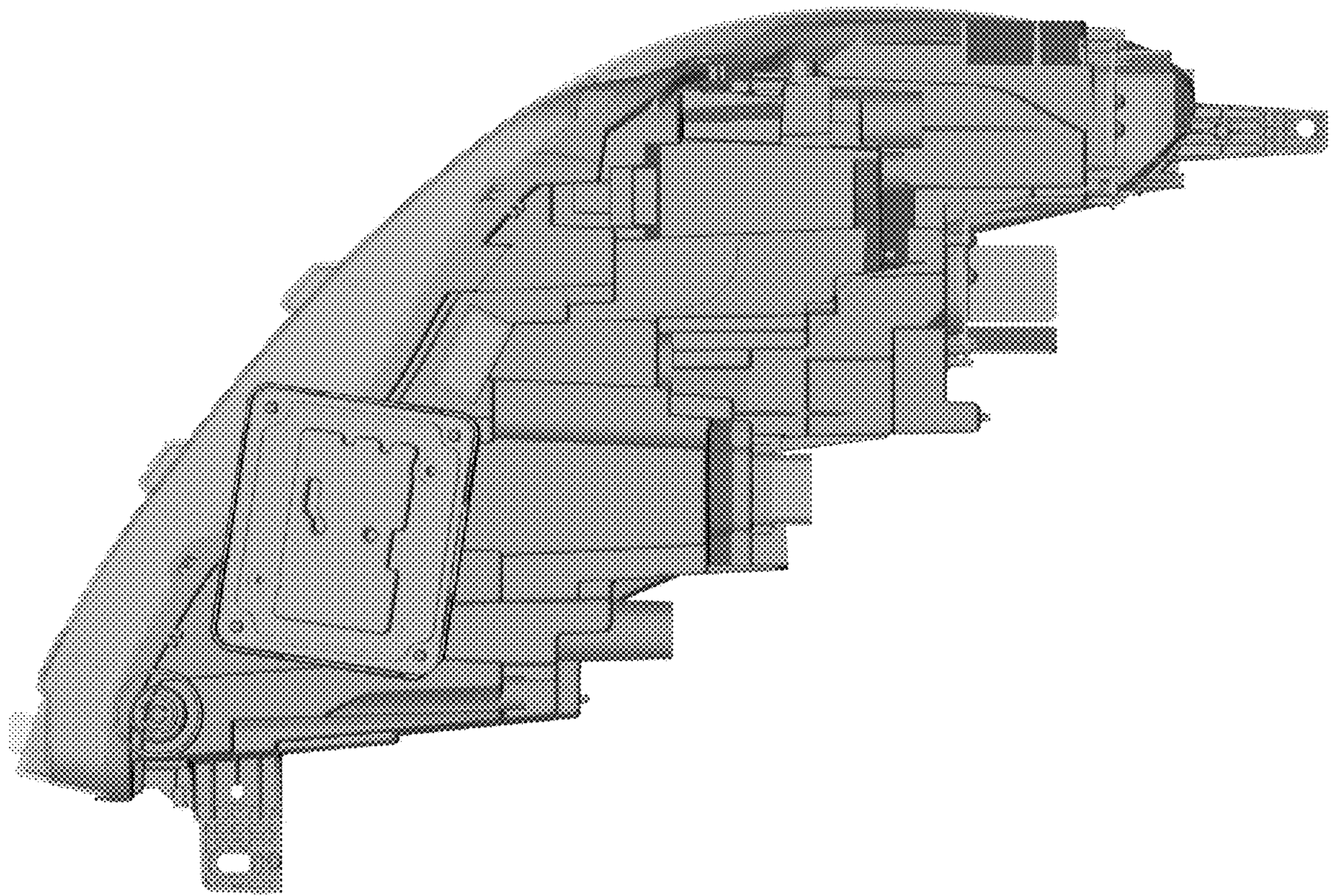


Fig. 6



Fig. 7

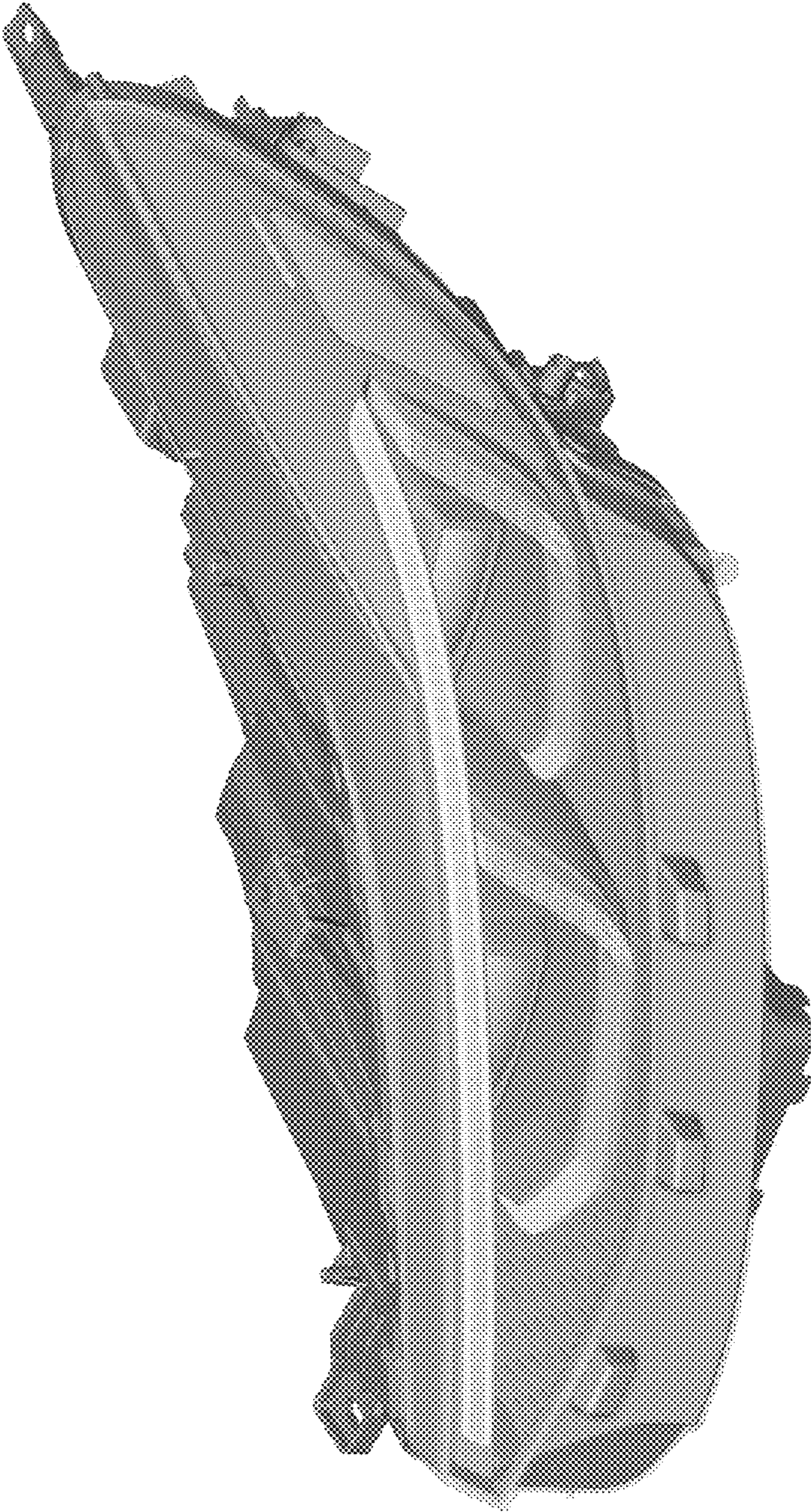




Fig. 8

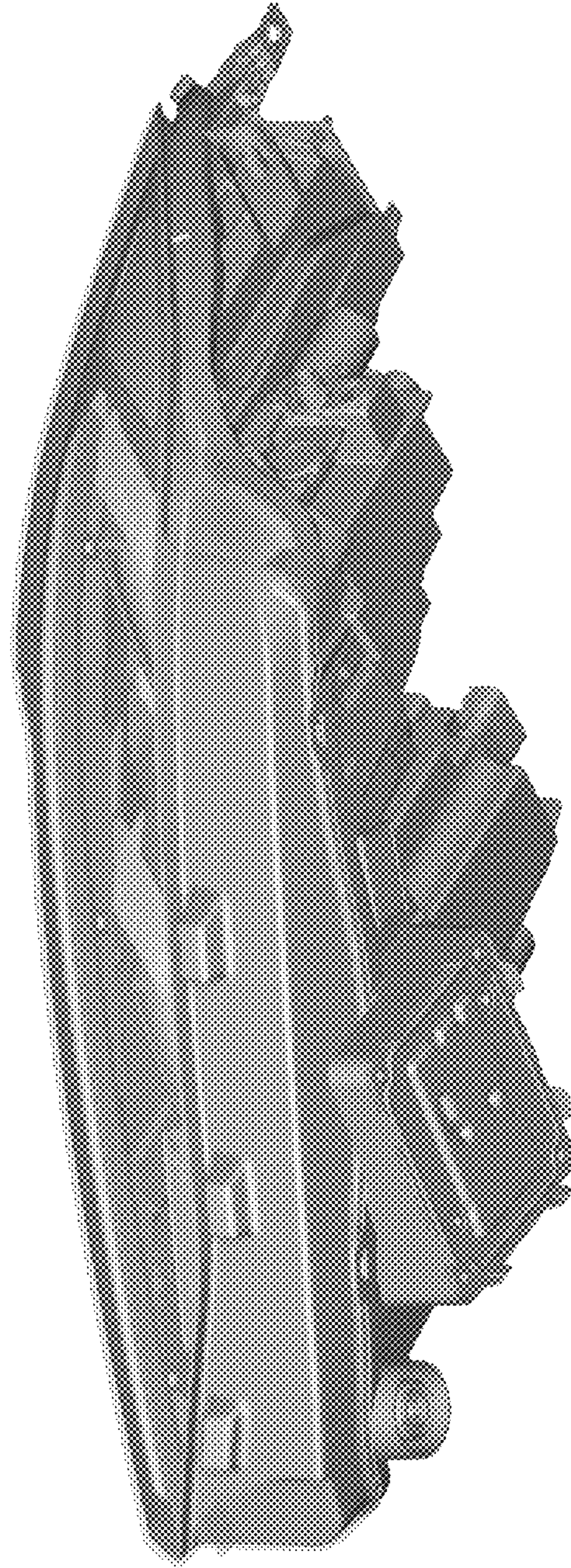




Fig. 9

