



US0D1033580S

(12) **United States Design Patent**
Andrews et al.

(10) **Patent No.: US D1,033,580 S**
(45) **Date of Patent: ** Jul. 2, 2024**

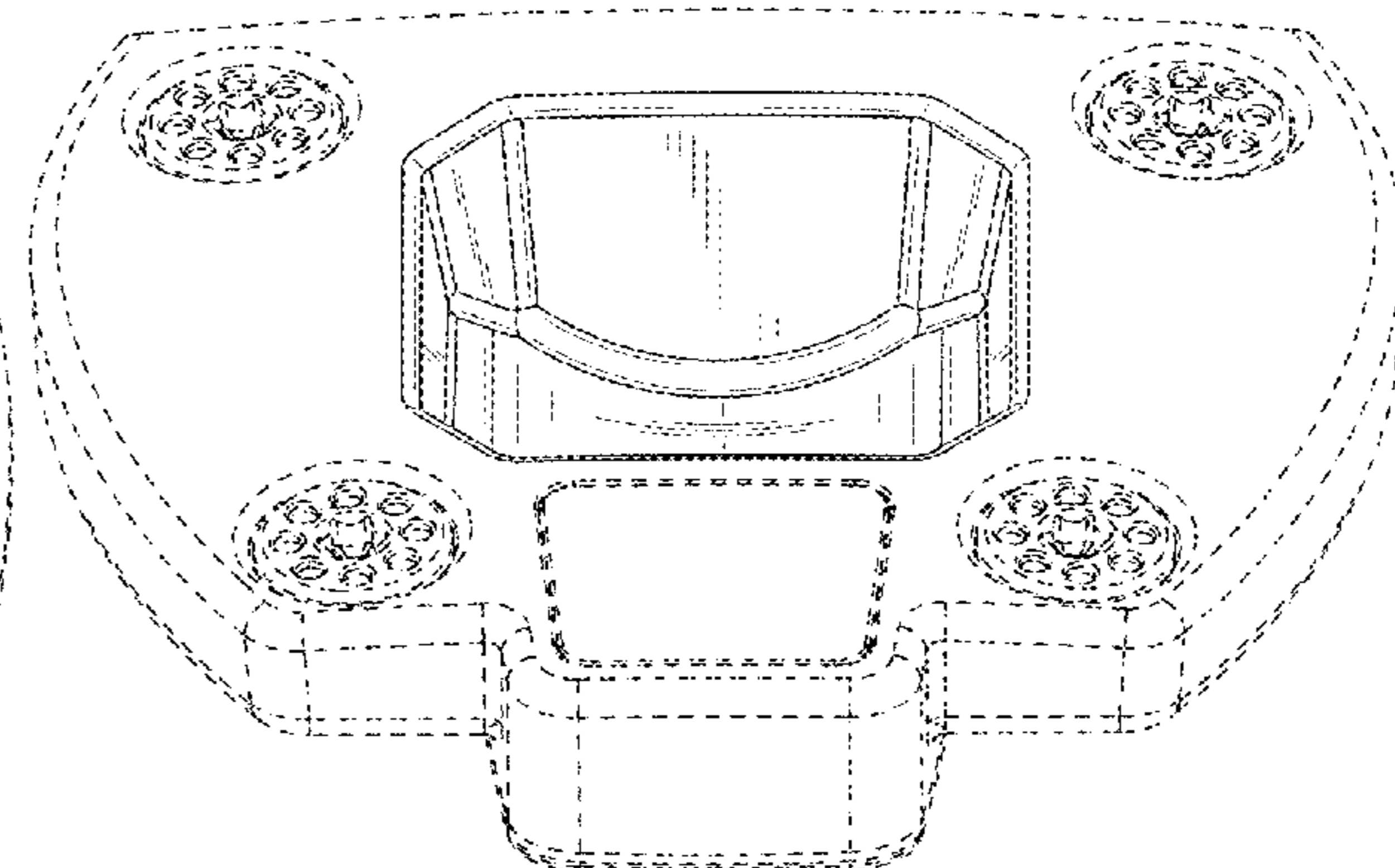
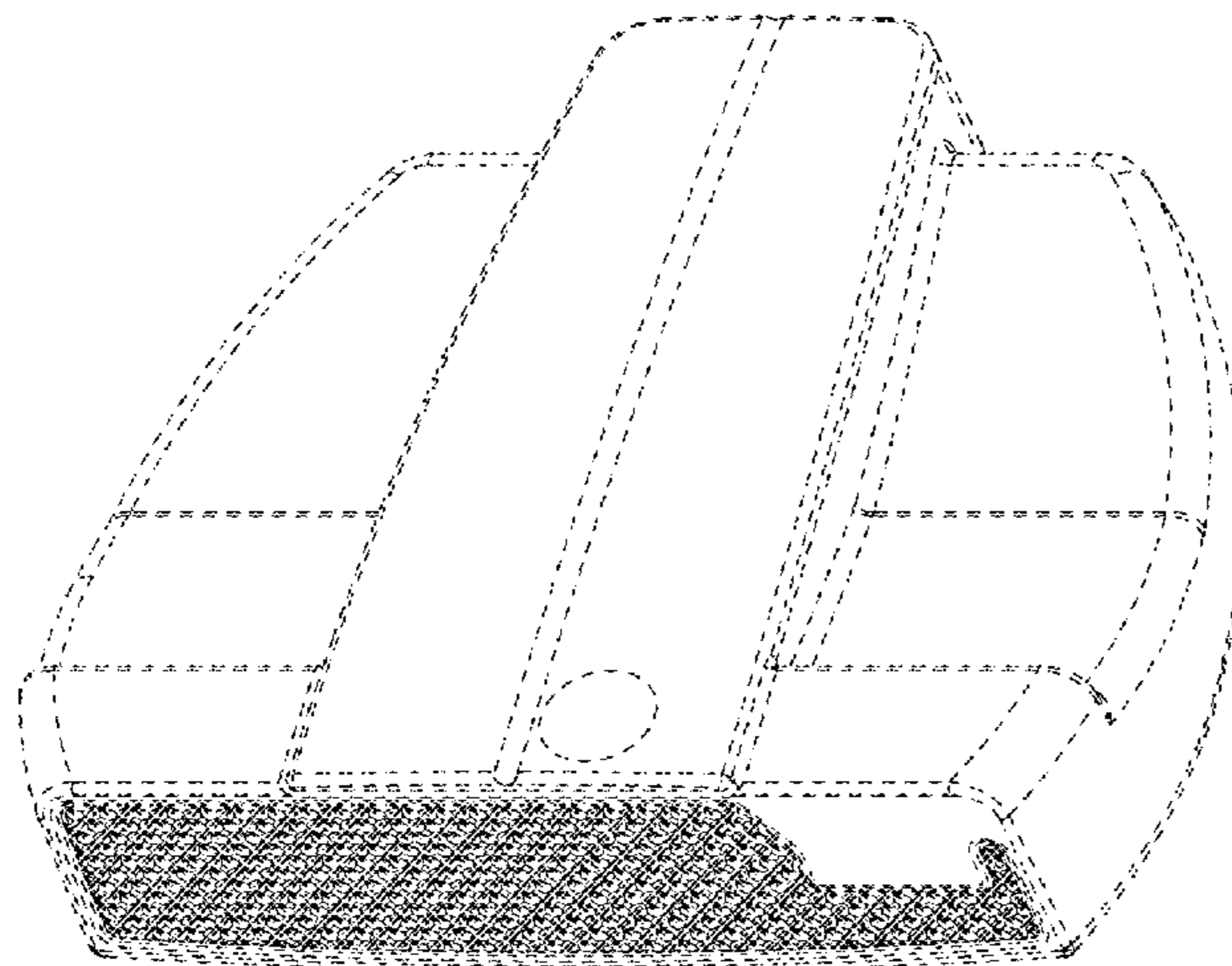
- (54) **GOLF CLUB HEAD** 3,374,027 A * 6/1968 Jacobs A63B 47/02
473/286
- (71) Applicant: **PARSONS XTREME GOLF, LLC,** 3,497,220 A 2/1970 Scott
Scottsdale, AZ (US) 3,841,639 A * 10/1974 Werner A63B 47/02
473/286
- (72) Inventors: **Matthew T. Andrews,** Scottsdale, AZ 4,043,562 A 8/1977 Shillington
(US); **Robert R. Parsons,** Scottsdale, 4,163,554 A 8/1978 Long
AZ (US) 4,265,451 A 8/1979 Bernhardt
4,281,092 S 10/1985 Bernhardt
D281,092 S 10/1985 Mills
D285,232 S 8/1986 Collins
4,964,641 A 10/1990 Miesch et al.
D313,451 S 1/1991 Shearer
D335,317 S 5/1993 Shearer
D335,692 S 5/1993 Antonious
D336,757 S 6/1993 Antonious
- (73) Assignee: **PARSONS XTREME GOLF, LLC,** 5,228,332 A 7/1993 Bernhardt
Scottsdale, AZ (US) 5,269,525 A * 12/1993 Hull A63B 47/02
473/286
- (**) Term: **15 Years**
- (21) Appl. No.: **29/907,987**
- (22) Filed: **Jan. 10, 2024**

Related U.S. Application Data

- (63) Continuation-in-part of application No. 29/921,968, filed on Dec. 20, 2023, which is a continuation-in-part of application No. 29/905,435, filed on Oct. 20, 2023.
- (51) **LOC (14) Cl.** **21-02**
- (52) **U.S. Cl.**
USPC **D21/759**
- (58) **Field of Classification Search**
USPC D21/736-746, 759
CPC A63B 53/00; A63B 53/04; A63B 53/007;
A63B 53/065; A63B 53/0487; A63B
60/00; A63B 60/46
See application file for complete search history.

References Cited

- (56) **U.S. PATENT DOCUMENTS**
- 723,534 A 3/1903 Knight
- 807,224 A 12/1905 Vaile
- 922,444 A 5/1909 Youds
- 1,094,599 A 4/1914 Samson
- D57,980 S 5/1921 Kraeuter
- D63,284 S 11/1923 Challis
- RE19,178 E 5/1934 Spiker
- 3,300,241 A * 1/1967 Eberwein A63B 47/02
473/286
- 5,390,919 A 2/1995 Stubbs et al.
- D359,330 S 6/1995 Channell
- D360,444 S 7/1995 Takahashi et al.
- 5,429,366 A 7/1995 McCabe
- D363,101 S 10/1995 Sturm
- D364,665 S 11/1995 Goodrich
- D364,666 S * 11/1995 Nagy D21/743
- D365,864 S 1/1996 Sturm
- 5,485,999 A * 1/1996 Hull A63B 47/02
473/286
- 5,489,097 A 2/1996 Simmons
- D368,751 S 4/1996 Rife
- D369,393 S 4/1996 Takahashi et al.
- 5,509,658 A * 4/1996 Youngblood A63B 53/0487
473/286
- 5,544,883 A 8/1996 Meyer
- 5,571,053 A 11/1996 Lane
- D378,688 S 4/1997 Cameron
- 5,628,696 A * 5/1997 Frye A63B 47/02
473/328
- D380,514 S 7/1997 Markley
- D381,382 S 7/1997 Fenton, Jr.
- D385,609 S 10/1997 Cameron
- 5,683,307 A 11/1997 Rife
- D388,143 S 12/1997 Huan-Chiang
- D389,207 S 1/1998 Cameron
- D398,685 S 9/1998 Masuda
- 5,807,190 A 9/1998 Krumme et al.
- D399,274 S 10/1998 Bradford



US D1,033,580 S

D399,290 S	10/1998	Sizemore, Jr.	7,407,445 B2	8/2008	Pedraza et al.
D399,911 S	10/1998	Nicolette et al.	D577,085 S	9/2008	Nicolette et al.
5,839,974 A	11/1998	McAllister	D577,086 S	9/2008	Nicolette et al.
D405,836 S	2/1999	Nicolette et al.	D579,506 S	10/2008	Nicolette et al.
D409,701 S	5/1999	Ashcraft et al.	D579,995 S	11/2008	Nicolette et al.
D411,275 S	6/1999	Bottema et al.	D582,497 S	12/2008	Rollinson
5,924,938 A	7/1999	Hines	7,473,189 B2	1/2009	Schweigert et al.
D415,809 S	10/1999	Bottema et al.	7,491,131 B2	2/2009	Vinton
D416,062 S	11/1999	Solheim et al.	D594,921 S	6/2009	Bettinardi
D416,969 S	11/1999	Solheim et al.	D595,370 S	6/2009	Ines et al.
D416,970 S	11/1999	Solheim et al.	D595,793 S	7/2009	Rollinson
6,007,434 A	12/1999	Baker et al.	D599,425 S	9/2009	Laub
D421,473 S	3/2000	Solheim et al.	D599,867 S	9/2009	Teramoto
D422,041 S	3/2000	Bradford	D600,295 S	9/2009	Meeks
D422,655 S	4/2000	Hicks	D600,762 S	9/2009	Serrano et al.
6,083,113 A	7/2000	Bernhardt	D600,763 S	9/2009	Cameron
6,089,993 A	7/2000	Woodward et al.	D601,214 S	9/2009	Serrano et al.
D429,302 S	8/2000	Antonious	D606,139 S	12/2009	Ines et al.
6,110,057 A	8/2000	McKinnon	D606,140 S	12/2009	Ramsauer
D430,914 S	9/2000	Antonious	D606,141 S	12/2009	Ramsauer
D431,853 S	10/2000	Antonious	D606,142 S	12/2009	Ramsauer
D431,854 S	10/2000	Cameron	D607,951 S	1/2010	Teramoto
D432,192 S	10/2000	Hicks	D607,952 S	1/2010	Demkowski et al.
D436,151 S	1/2001	Nicolette et al.	7,722,476 B2	5/2010	Pedraza et al.
D437,374 S	2/2001	Cameron	D617,857 S	6/2010	Sones
D441,820 S	5/2001	Nicolette et al.	7,744,485 B2	6/2010	Jones et al.
D443,668 S	6/2001	Nicolette et al.	D619,666 S	7/2010	DePaul
D443,905 S	6/2001	Nicolette et al.	D620,993 S	8/2010	Laub
D444,833 S	7/2001	Wells et al.	D621,461 S	8/2010	Serrano et al.
D444,835 S	7/2001	Wahl et al.	D623,709 S	9/2010	Serrano et al.
6,257,994 B1	7/2001	Antonious	7,857,710 B2	12/2010	Pedraza
6,264,571 B1	7/2001	Lekavich	7,867,104 B2	1/2011	Franklin et al.
D449,664 S	10/2001	Beebe et al.	D631,925 S	2/2011	Broom
D449,865 S	10/2001	Fife, Jr. et al.	7,887,432 B2	2/2011	Jones et al.
D450,799 S	11/2001	Nicolette et al.	D633,964 S	3/2011	Teramoto
D451,973 S	12/2001	Wells et al.	7,909,707 B2	3/2011	Klein
6,348,014 B1	2/2002	Chiu	7,918,745 B2	4/2011	Morris et al.
6,354,959 B1	3/2002	Nicolette et al.	7,927,226 B1	4/2011	Twitty
6,394,910 B1	5/2002	McCarthy	D638,891 S	5/2011	Nicolette et al.
D472,949 S	4/2003	Serrano	7,942,758 B2	5/2011	Nakamura
D474,821 S	5/2003	Wells et al.	D639,369 S	6/2011	Miyamichi
6,652,390 B2	11/2003	Bradford	D642,643 S	8/2011	Nicolette et al.
D483,086 S	12/2003	Schweigert et al.	D643,485 S	8/2011	Nicolette et al.
D486,872 S	2/2004	Schweigert et al.	D645,104 S	9/2011	Nicolette et al.
D488,200 S	4/2004	Olsavsky et al.	8,016,693 B2	9/2011	Pedraza
D498,276 S	11/2004	Schweigert et al.	8,096,039 B2	1/2012	Soracco et al.
D500,823 S	1/2005	Aldrich	D653,718 S *	2/2012	Stokke D21/743
D502,518 S	3/2005	Smart	8,109,841 B2	2/2012	Miyamichi
6,902,496 B2	6/2005	Solheim et al.	D655,361 S	3/2012	Ramsauer
D509,273 S	9/2005	Morris et al.	D657,836 S	4/2012	Oldknow et al.
D511,801 S	11/2005	Garcia	D657,837 S	4/2012	Oldknow et al.
D512,114 S	11/2005	Garcia	D658,245 S	4/2012	Oldknow et al.
D512,116 S	11/2005	Mirafflor et al.	D661,753 S	6/2012	Cameron et al.
6,988,955 B2	1/2006	Stoakes	D666,260 S	8/2012	Cynn
6,988,956 B2	1/2006	Cover et al.	8,303,434 B1	11/2012	DePaul
D520,088 S	5/2006	Parr	D672,418 S	12/2012	Rollinson
D520,584 S	5/2006	Karlsen	8,328,654 B2	12/2012	Demkowski et al.
D529,109 S	9/2006	Jones	8,337,328 B2 *	12/2012	Foster A63B 53/0466 473/345
D531,242 S	10/2006	Adams	8,371,958 B2	2/2013	Treadwell
7,125,341 B1	10/2006	D'Eath	D688,339 S	8/2013	Hilton et al.
D532,067 S	11/2006	Soracco et al.	D688,341 S	8/2013	Rollinson
7,156,752 B1	1/2007	Bennett	D691,226 S	10/2013	Hilton et al.
D537,898 S	3/2007	Kuan et al.	D699,308 S	2/2014	Rollinson
7,204,765 B2	4/2007	Cover et al.	8,696,492 B1	4/2014	Hocknell et al.
D542,869 S	5/2007	Adams	D704,782 S	5/2014	Rollinson
D542,873 S	5/2007	Oldknow	8,721,472 B2	5/2014	Kuan et al.
D543,598 S	5/2007	Kuan et al.	8,790,193 B2	7/2014	Serrano et al.
D556,277 S	11/2007	Broom	D711,483 S	8/2014	Wong
7,309,297 B1	12/2007	Solari	D715,388 S *	10/2014	Serrano D21/743
D561,854 S	2/2008	Morris	8,900,064 B2	12/2014	Franklin
7,331,876 B2	2/2008	Klein	D722,350 S	2/2015	Schweigert
D565,137 S	3/2008	Oldknow et al.	D722,351 S	2/2015	Parsons et al.
D566,214 S *	4/2008	Evans D21/752	D725,208 S	3/2015	Schweigert
7,351,162 B2	4/2008	Soracco et al.	D726,270 S	4/2015	Rollinson
D569,460 S *	5/2008	Walker D21/743	D726,846 S	4/2015	Schweigert
D569,461 S	5/2008	Morris	D730,462 S	5/2015	Becktor et al.
D569,930 S	5/2008	Nehrbas	D732,122 S	6/2015	Becktor
D574,050 S	7/2008	Jones et al.	D732,618 S	6/2015	Becktor et al.
7,396,289 B2	7/2008	Soracco et al.			

US D1,033,580 S

D735,283 S	7/2015	Solheim et al.	D919,722 S	5/2021	Parsons et al.
9,108,088 B2	8/2015	Serrano et al.	D920,452 S	5/2021	Parsons et al.
D738,447 S	9/2015	Schweigert	D923,729 S	6/2021	Nicolette et al.
D738,449 S	9/2015	Schweigert	D924,345 S	7/2021	Nicolette et al.
D739,487 S	9/2015	Schweigert	D924,346 S	7/2021	Nicolette et al.
9,144,717 B2	9/2015	Franklin et al.	D925,673 S	7/2021	Parsons et al.
D741,426 S	10/2015	Schweigert	D926,898 S	8/2021	Schweigert et al.
D748,213 S	1/2016	Parsons et al.	D927,619 S	8/2021	Andrews
D748,215 S	1/2016	Parsons et al.	D927,622 S	8/2021	Schweigert et al.
9,233,283 B2	1/2016	Schweigert	D928,259 S *	8/2021	Andrews D21/736
D750,186 S	2/2016	Schweigert	D928,263 S	8/2021	Schweigert et al.
9,265,996 B1	2/2016	Abbott et al.	D929,516 S *	8/2021	Wang D21/744
D752,697 S	3/2016	Claveran	D933,766 S	10/2021	Parsons et al.
D753,252 S	4/2016	Schweigert	D934,363 S *	10/2021	Serrano D21/746
9,375,615 B2	6/2016	Park	D939,652 S	12/2021	Kroloff
9,440,124 B2	9/2016	Parsons et al.	D940,804 S	1/2022	Andrews et al.
9,498,685 B2	11/2016	Abbott et al.	D941,945 S	1/2022	Nicolette et al.
D774,607 S *	12/2016	Serrano D21/743	D945,542 S	3/2022	Andrews
9,566,484 B1	2/2017	Abbott et al.	D945,543 S	3/2022	Kroloff et al.
D783,745 S	4/2017	Chen	D945,544 S	3/2022	Kroloff et al.
D791,254 S	7/2017	Ramsauer	D949,269 S	4/2022	Andrews
D791,891 S	7/2017	Davis	D949,270 S	4/2022	Andrews
D794,146 S	8/2017	Davis	D951,379 S	5/2022	Andrews
D798,975 S	10/2017	Becktor	D952,081 S	5/2022	Kirtley et al.
D798,976 S	10/2017	Becktor	D952,082 S	5/2022	Andrews et al.
D798,977 S	10/2017	Becktor	D954,873 S *	6/2022	Andrews D21/736
D798,978 S	10/2017	Becktor	D954,874 S	6/2022	Nicolette et al.
D798,979 S	10/2017	Becktor	D954,875 S	6/2022	Parsons et al.
D798,980 S	10/2017	Becktor	D960,270 S *	8/2022	Wang D21/744
D798,981 S	10/2017	Becktor et al.	D969,946 S	11/2022	Andrews et al.
D799,615 S	10/2017	Kroloff et al.	D972,057 S *	12/2022	Clarke D21/743
D799,619 S	10/2017	Becktor et al.	D972,673 S *	12/2022	Wang D21/744
D802,073 S	11/2017	Toulon	D973,163 S *	12/2022	Clarke D21/744
D809,616 S	2/2018	Toulon et al.	D973,799 S	12/2022	Andrews et al.
D812,163 S	3/2018	Kroloff	D980,357 S	3/2023	Nicolette
D812,164 S	3/2018	Parsons et al.	D982,690 S *	4/2023	Toulon D21/743
D815,703 S	4/2018	Schweigert	D986,998 S *	5/2023	Andrews D21/736
9,987,530 B2	6/2018	Jertson et al.	D986,999 S *	5/2023	Andrews D21/736
D824,462 S	7/2018	Bruschi et al.	D990,601 S	6/2023	Schweigert
D827,742 S	9/2018	Weaver	D998,073 S	9/2023	Andrews
D831,766 S	10/2018	Schweigert	D1,005,426 S	11/2023	Parsons et al.
D832,949 S	11/2018	Nicolette	D1,023,200 S *	4/2024	Andrews D21/736
D832,950 S *	11/2018	Serrano D21/746	2002/0151376 A1	10/2002	Verne
D835,217 S	12/2018	Nicolette	2004/0138003 A1	7/2004	Grace
D837,911 S	1/2019	Bruschi et al.	2004/0180730 A1	9/2004	Franklin et al.
10,166,445 B2	1/2019	Brandt	2005/0250595 A1	11/2005	Stevenson
10,173,105 B2	1/2019	Myers et al.	2006/0052178 A1	3/2006	Franklin et al.
D839,977 S	2/2019	Rollinson et al.	2006/0094522 A1	5/2006	Tang et al.
D840,482 S *	2/2019	Serrano D21/736	2006/0223649 A1	10/2006	Rife
D842,952 S	3/2019	Schweigert et al.	2007/0129163 A1	6/2007	Solari
D844,085 S	3/2019	Nicolette	2007/0135229 A1	6/2007	Lo et al.
D844,723 S	4/2019	Nicolette	2007/0142122 A1	6/2007	Bonneau
D848,562 S	5/2019	Nicolette et al.	2007/0207875 A1	9/2007	Kuan et al.
D859,545 S	9/2019	Long et al.	2007/0238548 A1	10/2007	Johnson
D861,091 S	9/2019	Glorioso et al.	2008/0139333 A1	6/2008	Klein
D866,691 S	11/2019	Nicolette	2008/0146372 A1	6/2008	John
10,493,331 B2	12/2019	Kroloff et al.	2008/0176672 A1	7/2008	Roach et al.
D872,816 S	1/2020	Parsons et al.	2009/0029800 A1	1/2009	Jones et al.
D877,831 S	3/2020	Cameron	2009/0069114 A1 *	3/2009	Foster A63B 53/0466 473/349
D879,222 S *	3/2020	Serrano D21/742	2010/0255922 A1	10/2010	Lueders
D892,243 S	8/2020	Rollinson et al.	2013/0165256 A1	6/2013	Stevenson
D893,655 S	8/2020	Schweigert et al.	2013/0210537 A1	8/2013	Ainscough et al.
10,737,153 B2	8/2020	Schweigert et al.	2015/0057100 A1	2/2015	Serrano et al.
D895,037 S	9/2020	Clarke et al.	2015/0258390 A1	9/2015	DeFrancesco, Jr.
D896,328 S	9/2020	Clarke et al.	2015/0306477 A1	10/2015	Parsons et al.
D896,903 S	9/2020	Schweigert et al.	2016/0016050 A1	1/2016	Rife
D906,453 S	12/2020	Agrella et al.	2016/0101327 A1	4/2016	Stokke et al.
D906,457 S	12/2020	Lambeth et al.	2016/0346649 A1	12/2016	Jertson et al.
D907,146 S	1/2021	Cyrulik et al.	2017/0036078 A1 *	2/2017	Serrano A63B 53/0487
D907,147 S	1/2021	Agrella et al.	2018/0001163 A1	1/2018	Becktor et al.
D907,730 S	1/2021	Rollinson et al.	2018/0311545 A1	11/2018	Lambeth et al.
D909,504 S	2/2021	Schweigert et al.	2019/0175995 A1	6/2019	Kroloff et al.
D909,505 S	2/2021	Schweigert et al.	2019/0175996 A1	6/2019	Kroloff et al.
D909,506 S	2/2021	Schweigert et al.			
D910,789 S	2/2021	Schweigert et al.			
D910,790 S	2/2021	Schweigert et al.			
D913,388 S	3/2021	Nicolette			
D913,389 S	3/2021	Schweigert et al.			
10,960,271 B2	3/2021	Kroloff et al.			

2020/0061421 A1 2/2020 Kroloff et al.
2022/0152464 A1 5/2022 Pedraza

OTHER PUBLICATIONS

Golf putters google search; google.com; Apr. 30, 2024.*
Pxx golf putters google search; google.com; Apr. 30, 2024.*
pxg.com; Apr. 30, 2024.*

* cited by examiner

Primary Examiner — Mitchell I. Siegel

(57) **CLAIM**

The ornamental design for a golf club head, as shown and described.

DESCRIPTION

FIG. 1 is a front and top perspective view of a golf club head according to a first embodiment;
FIG. 2 is a front and bottom perspective view of the golf club head of FIG. 1;
FIG. 3 is a rear and bottom perspective view of the golf club head of FIG. 1;
FIG. 4 is a left side and bottom perspective view of the golf club head of FIG. 1;
FIG. 5 is a right side and bottom perspective view of the golf club head of FIG. 1;
FIG. 6 is a front elevational view of the golf club head of FIG. 1;

FIG. 7 is a rear elevational view of the golf club head of FIG. 1;
FIG. 8 is a top view of the golf club head of FIG. 1;
FIG. 9 is a bottom view of the golf club head of FIG. 1;
FIG. 10 is a left side view of the golf club head of FIG. 1;
FIG. 11 is a right side view of the golf club head of FIG. 1;
FIG. 12 is a front and top perspective view of a golf club head according to a second embodiment;
FIG. 13 is a front and bottom perspective view of the golf club head of FIG. 9;
FIG. 14 is a rear and bottom perspective view of the golf club head of FIG. 9;
FIG. 15 is a left side and bottom perspective view of the golf club head of FIG. 9;
FIG. 16 is a right side and bottom perspective view of the golf club head of FIG. 9;
FIG. 17 is a front elevational view of the golf club head of FIG. 9;
FIG. 18 is a rear elevational view of the golf club head of FIG. 9;
FIG. 19 is a top view of the golf club head of FIG. 9;
FIG. 20 is a bottom view of the golf club head of FIG. 9;
FIG. 21 is a left side view of the golf club head of FIG. 9;
and,
FIG. 22 is a right side view of the golf club head of FIG. 9.
The broken lines shown on the drawings form no part of the claimed design.

1 Claim, 12 Drawing Sheets

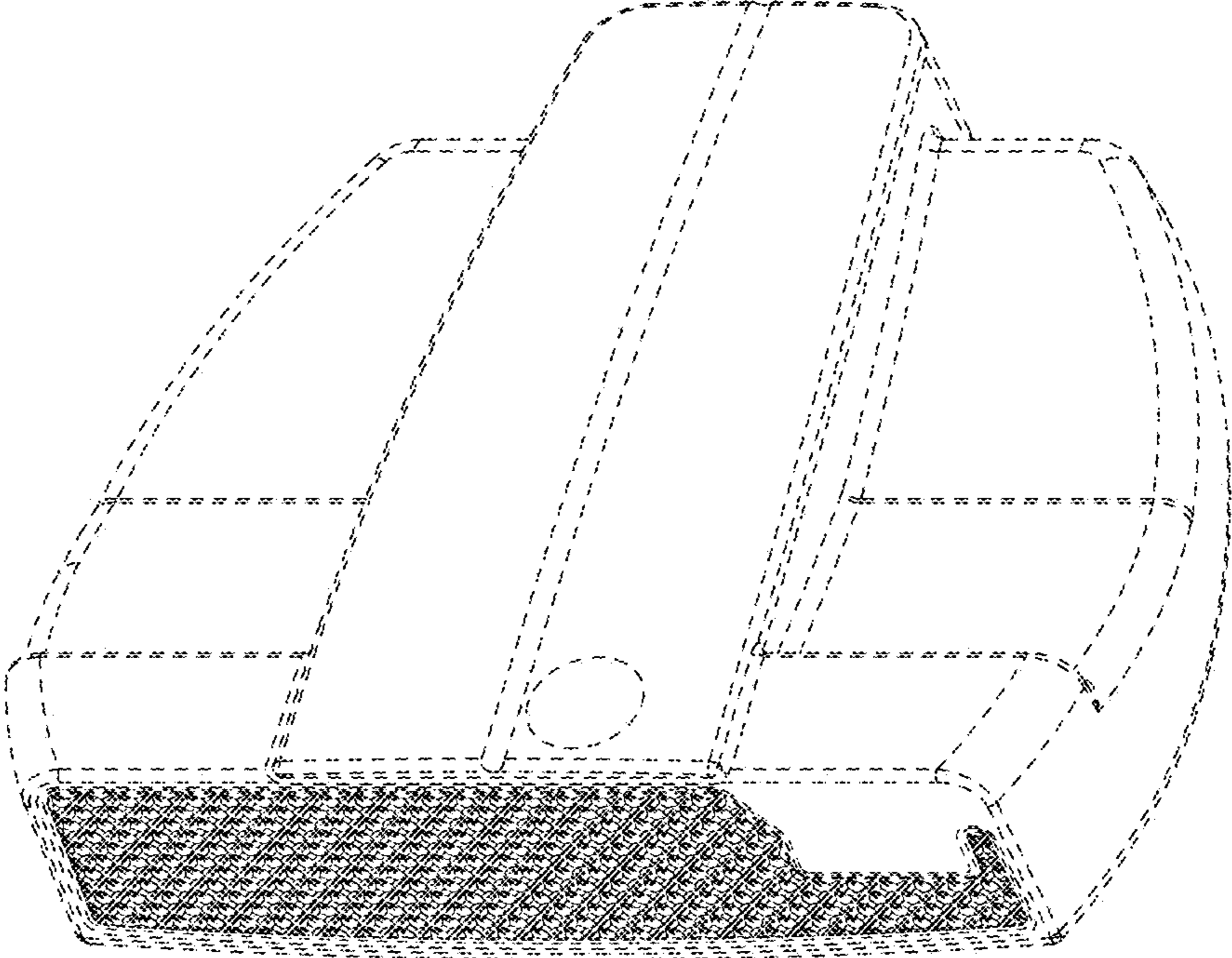


FIG. 1

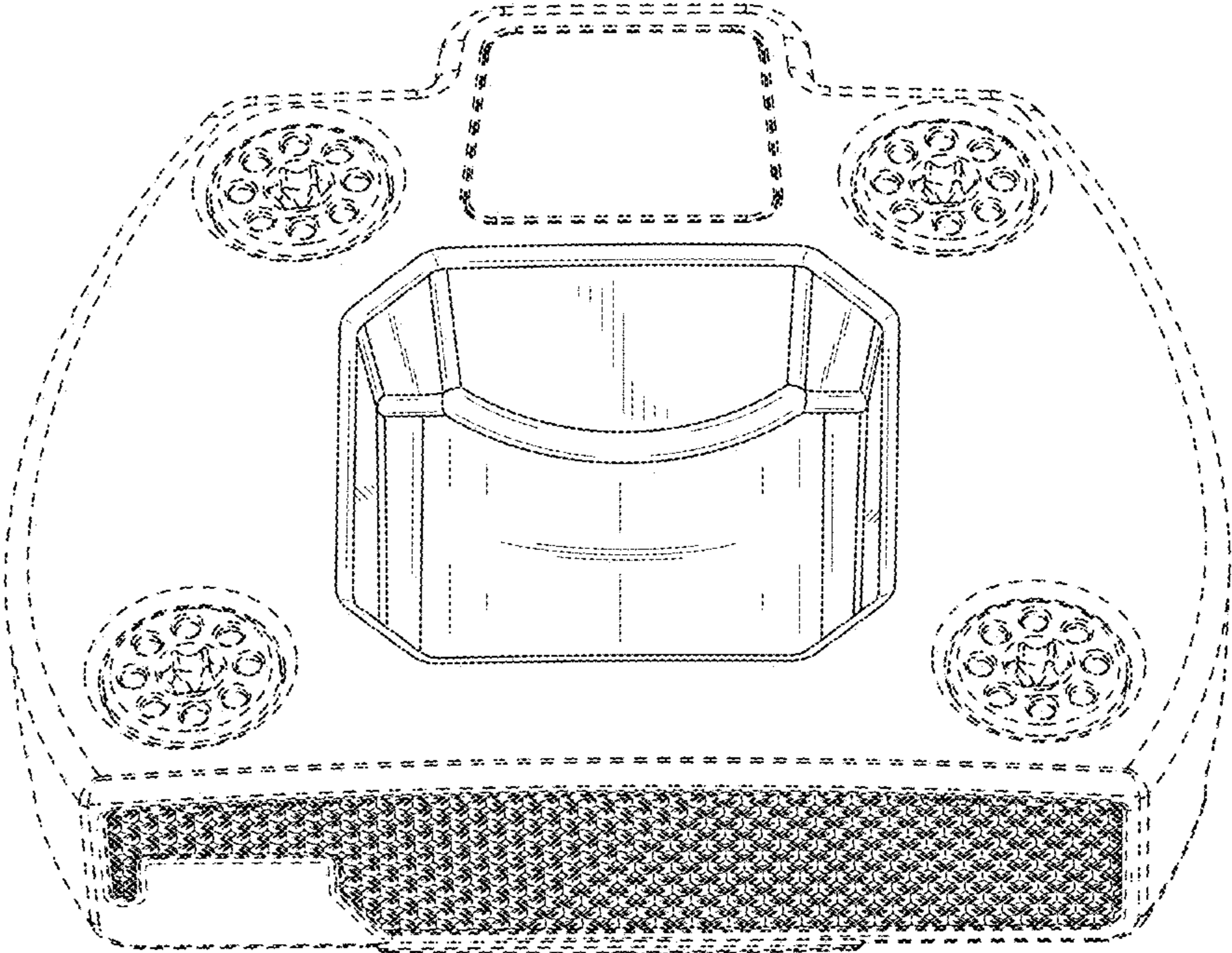


FIG. 2

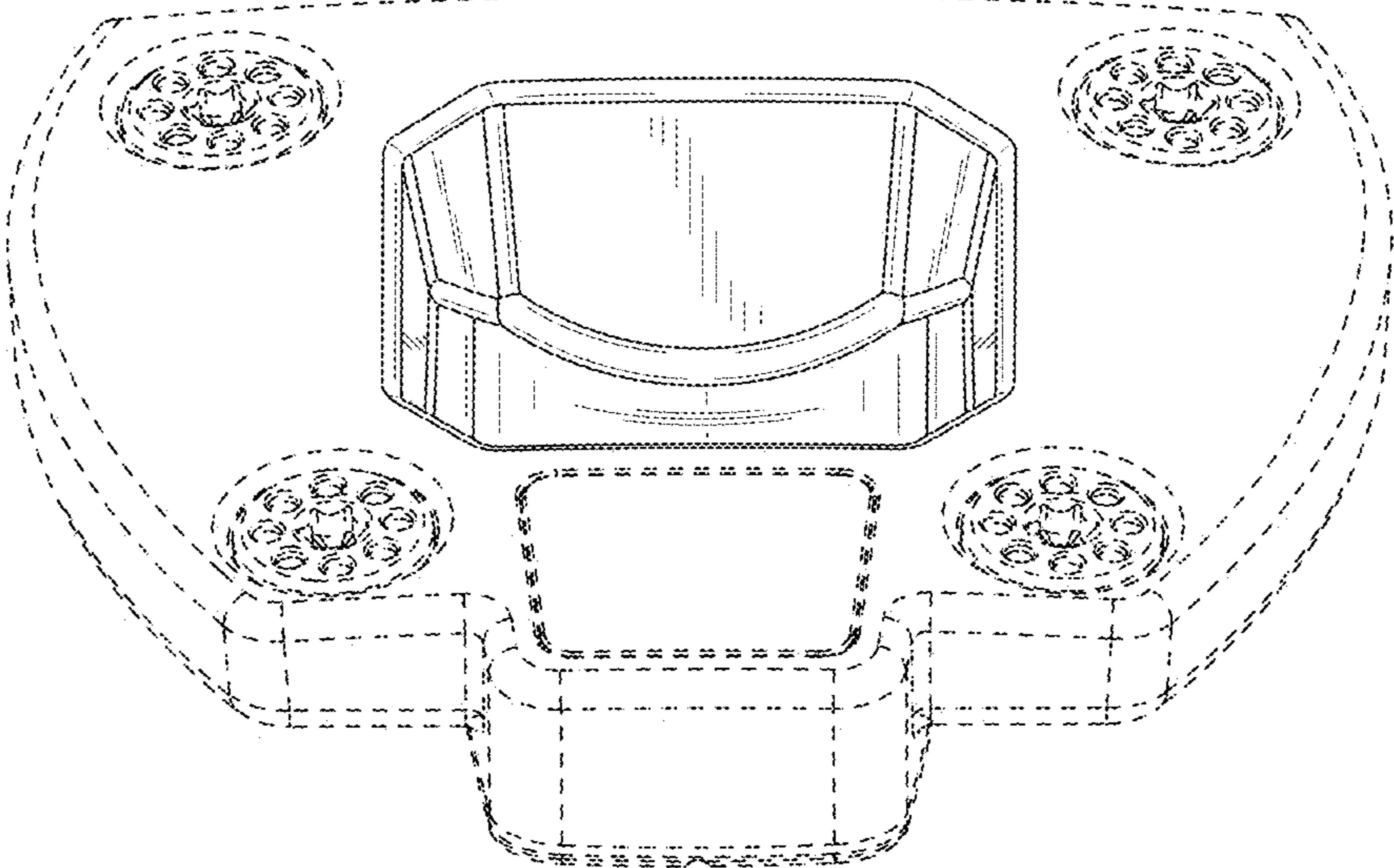


FIG. 3

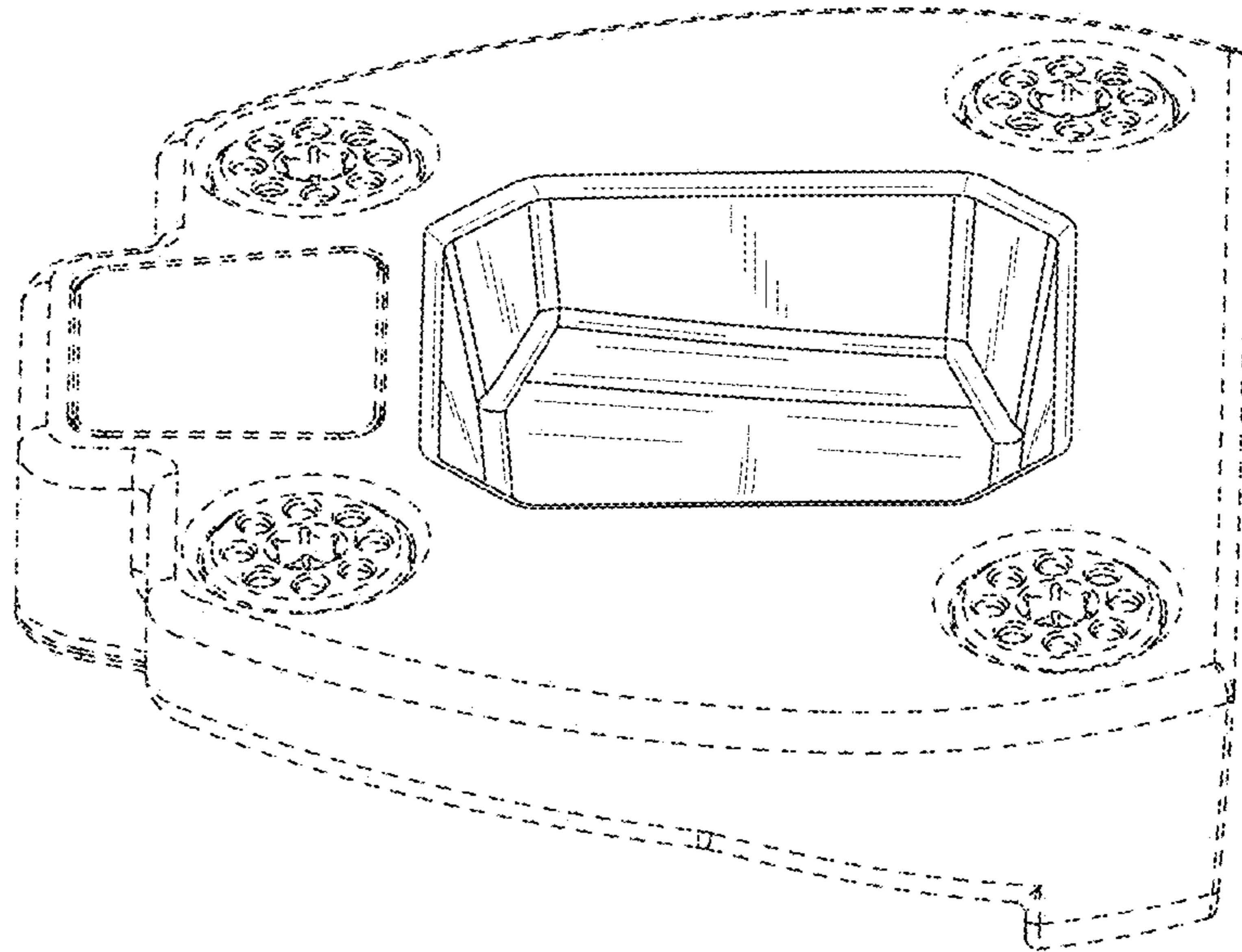


FIG. 4

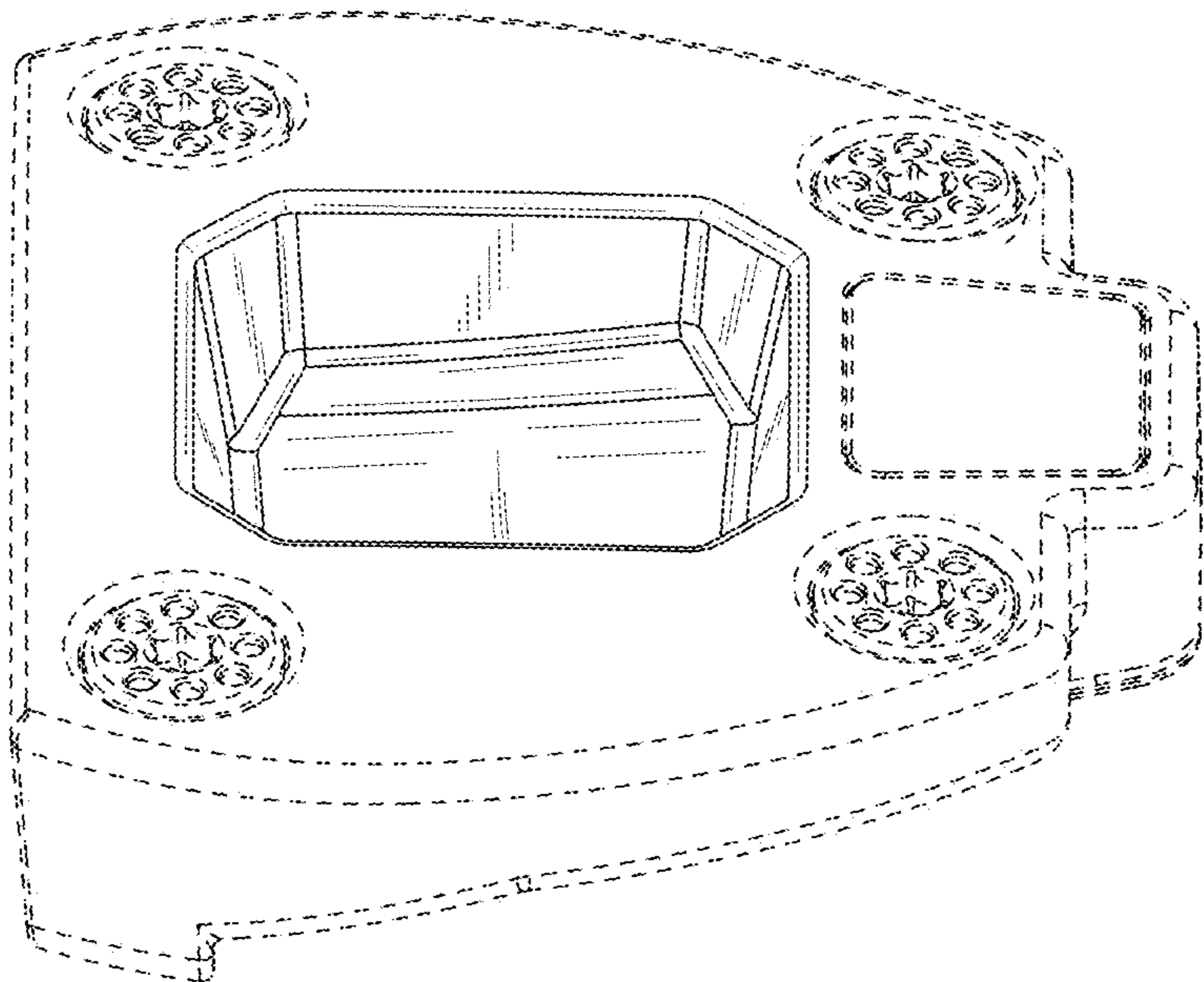


FIG. 5

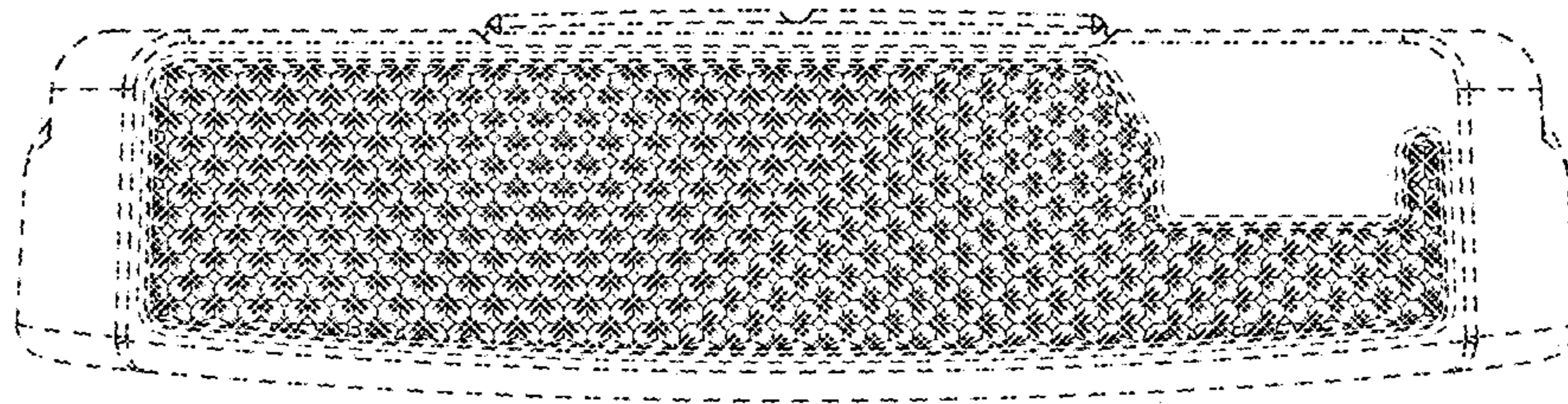


FIG. 6

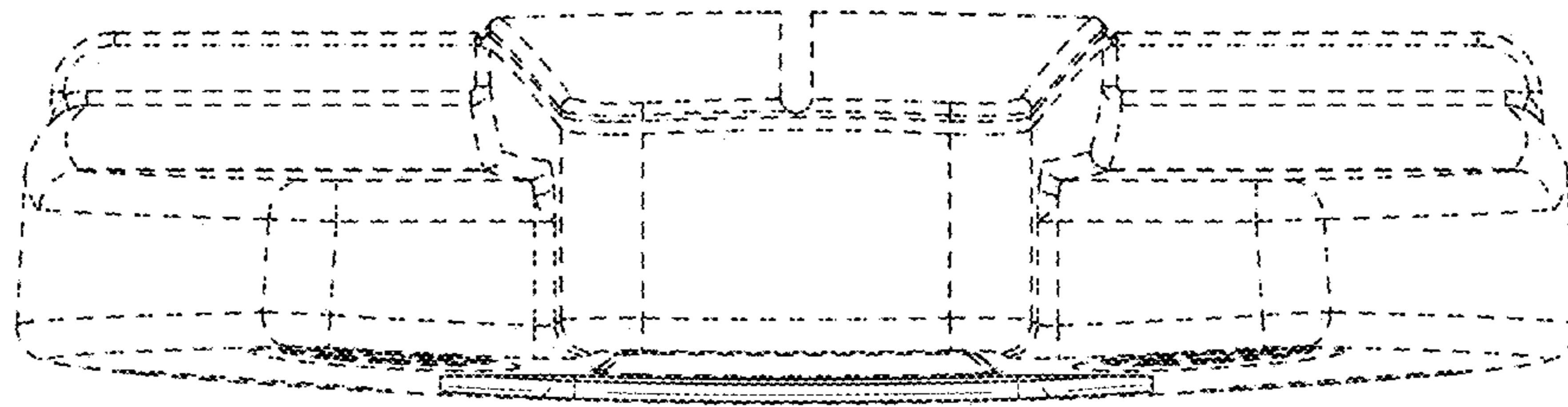


FIG. 7

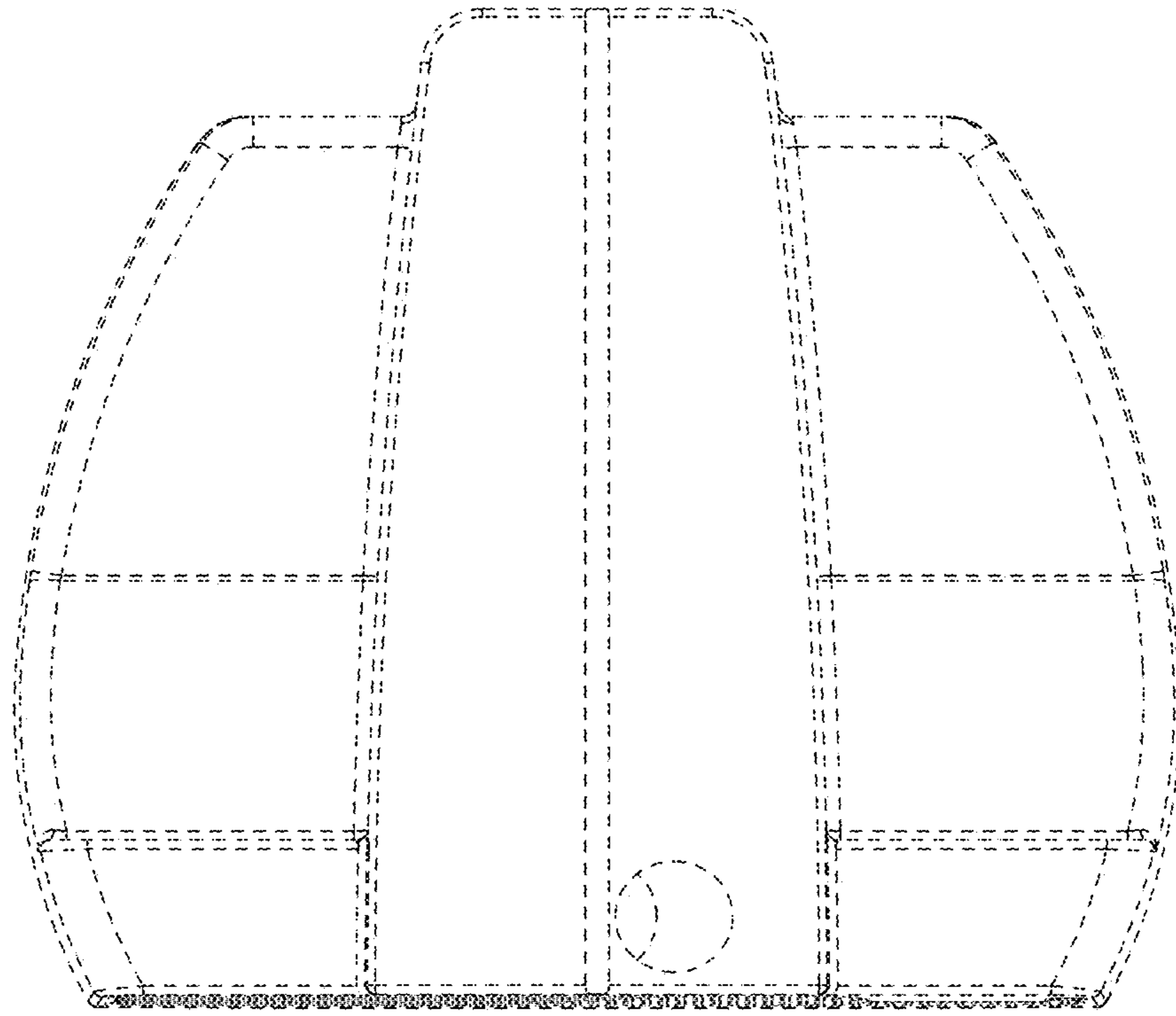


FIG. 8

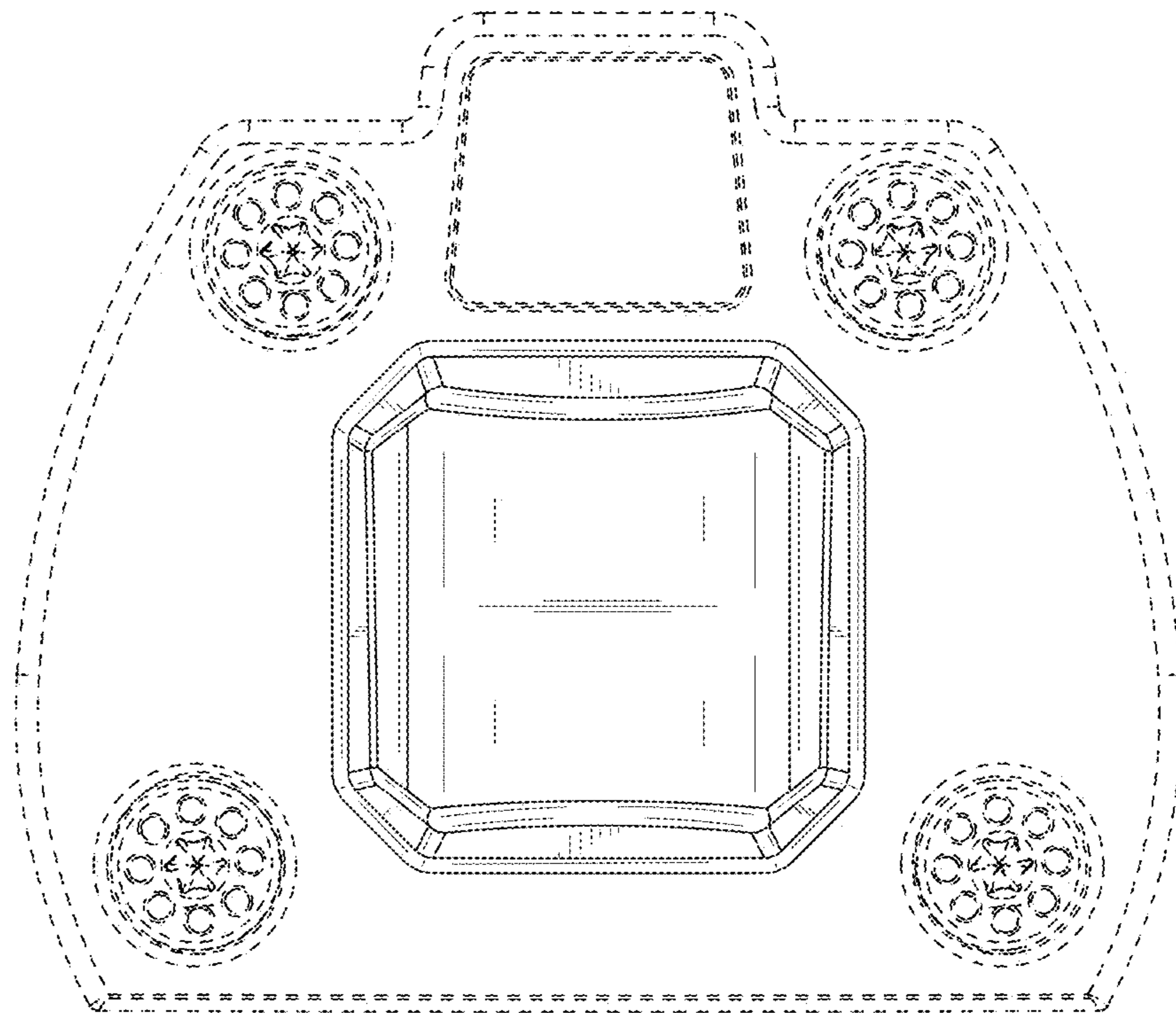


FIG. 9

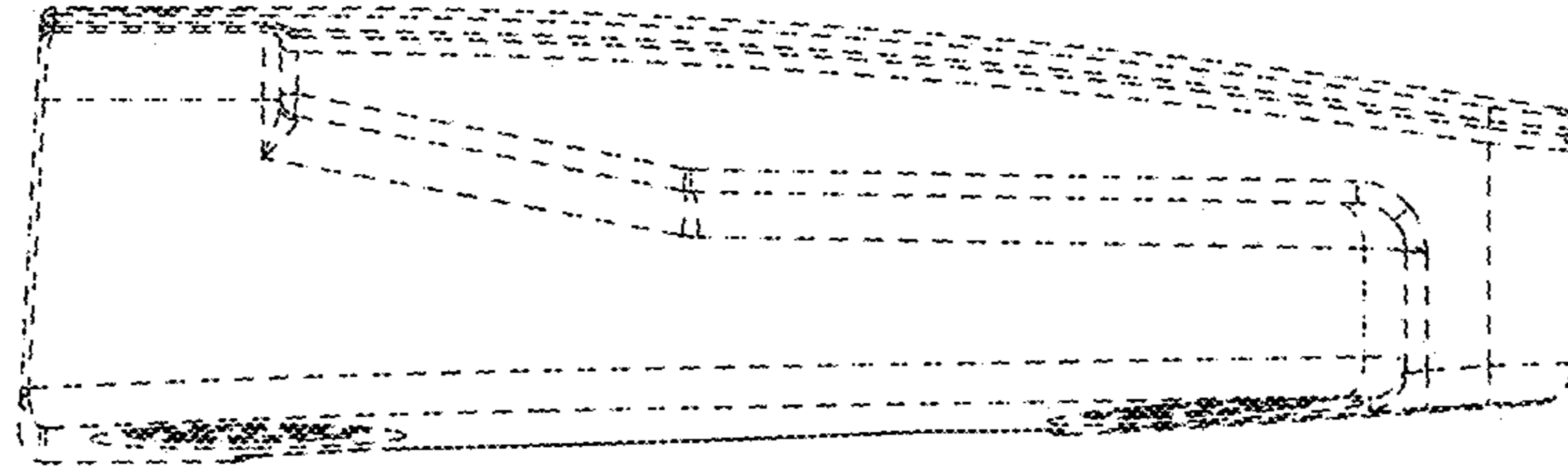


FIG. 10

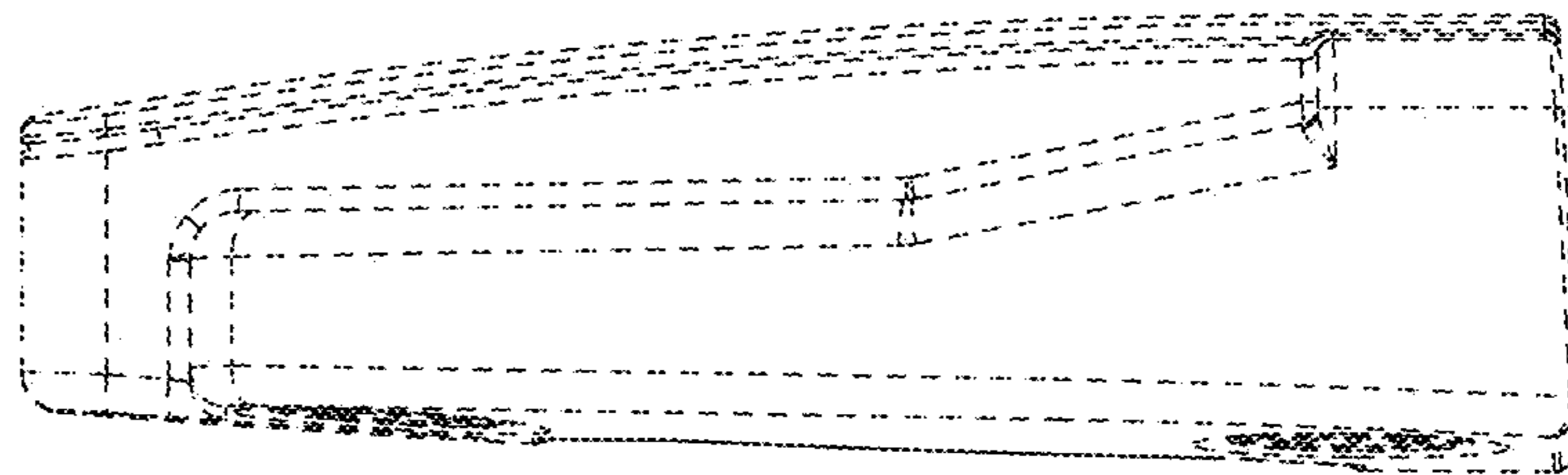


FIG. 11

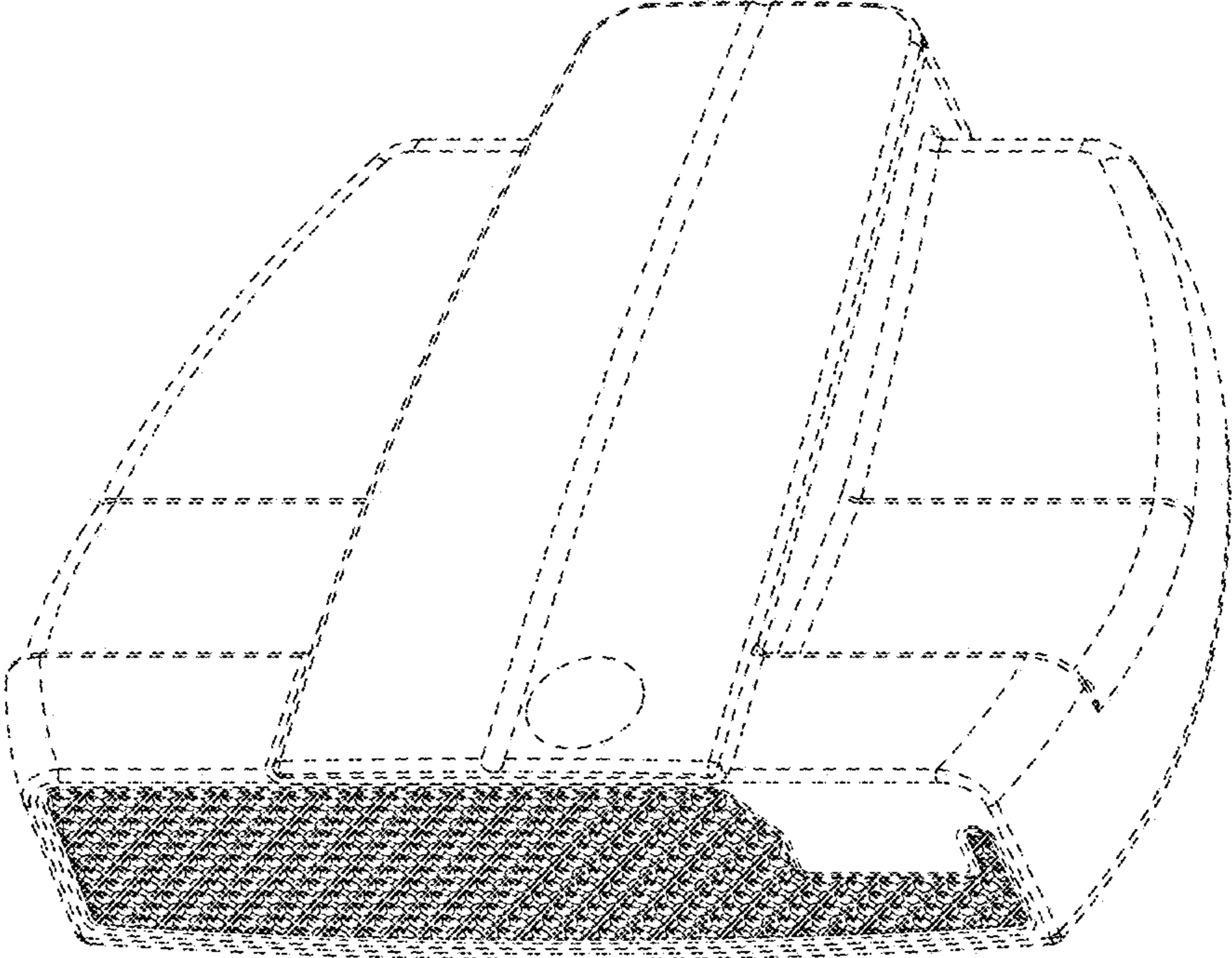


FIG. 12

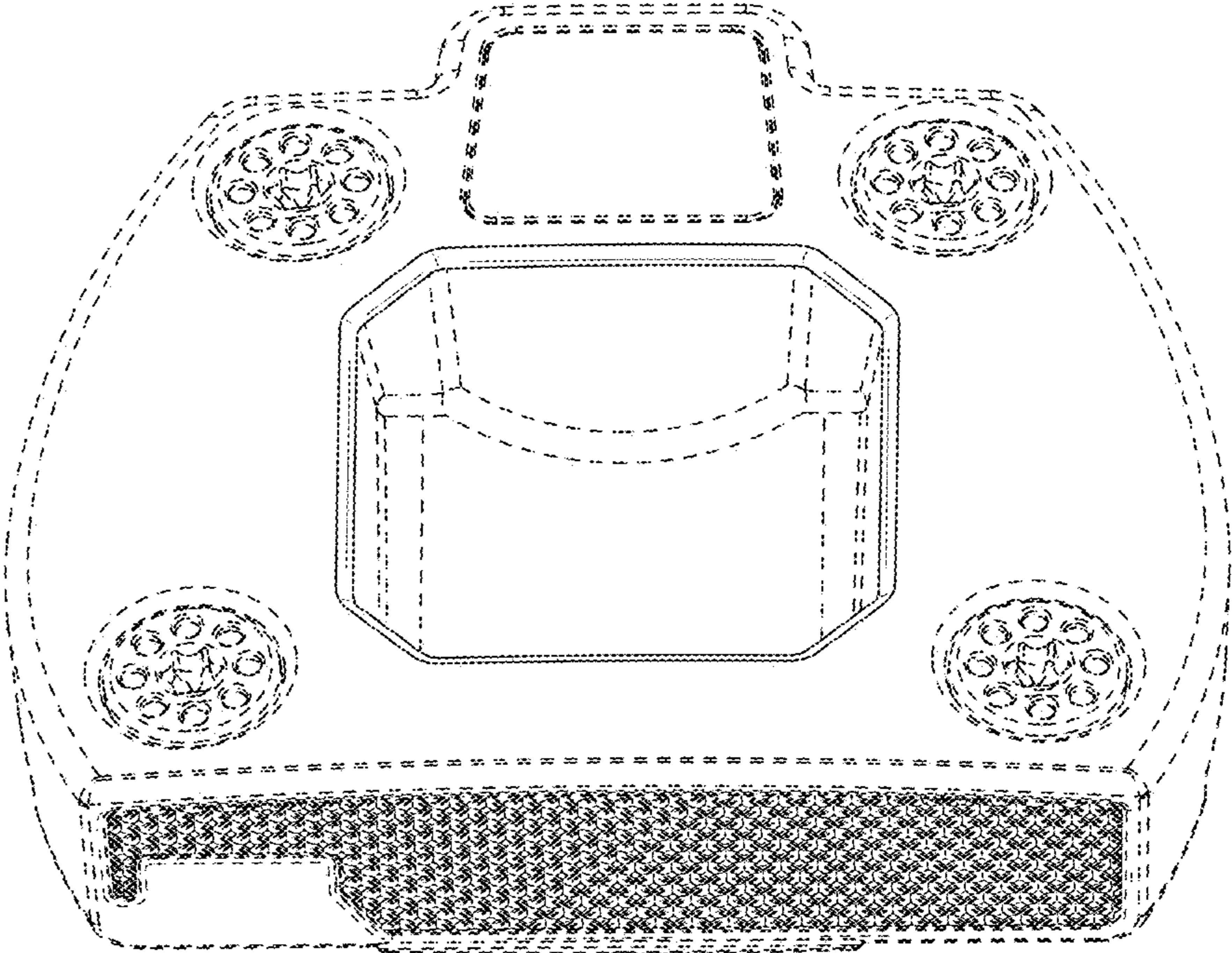


FIG. 13

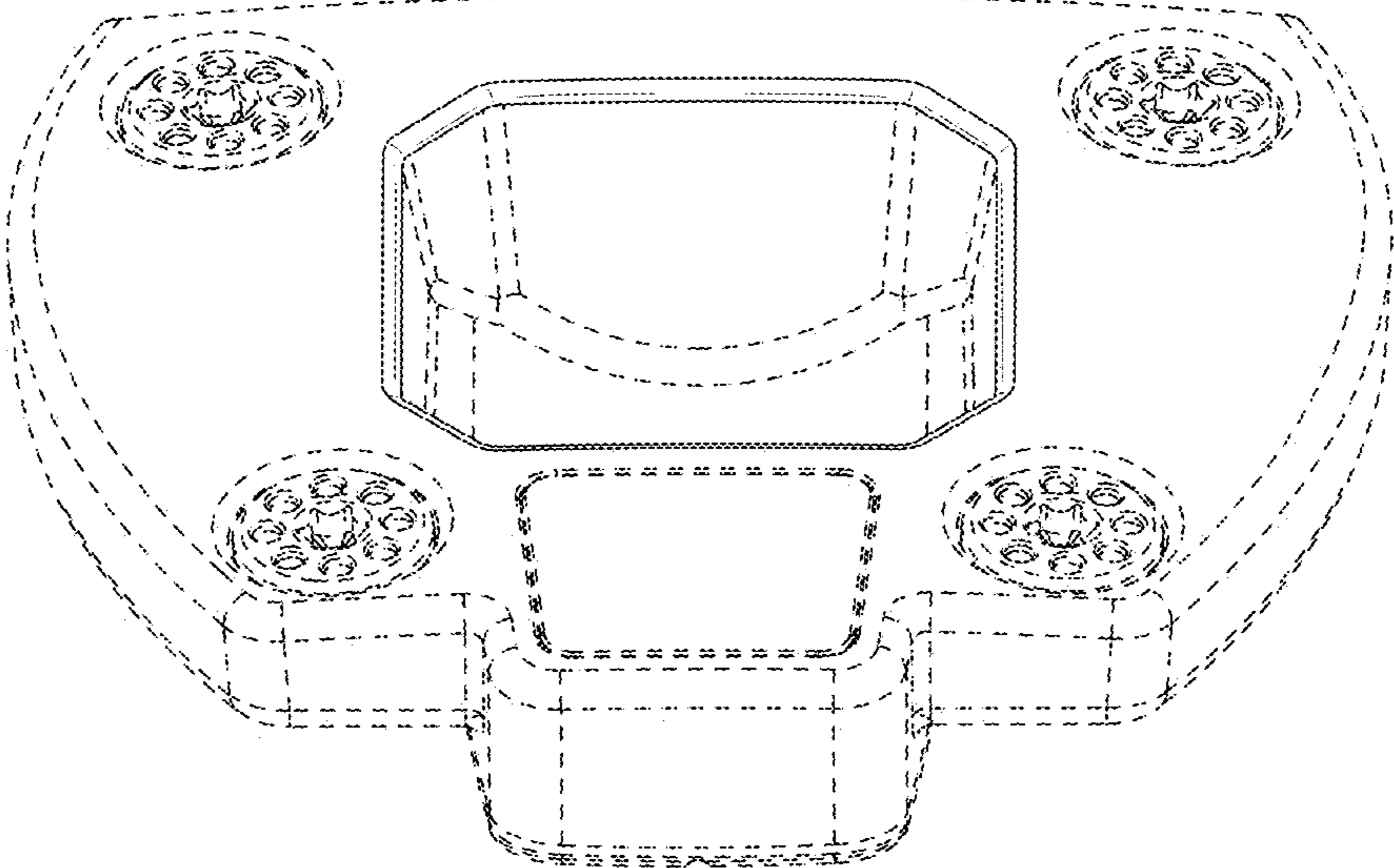


FIG. 14

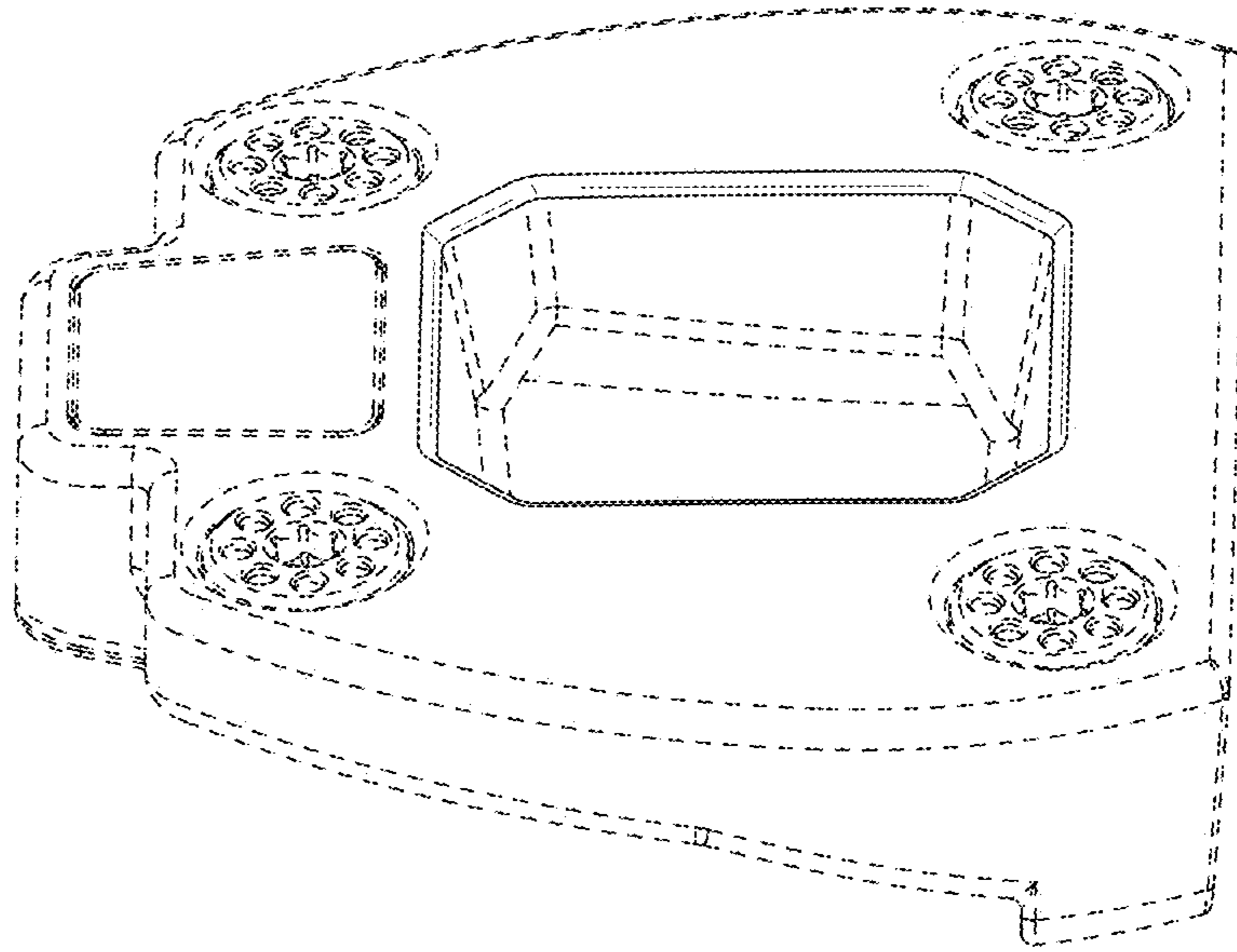


FIG. 15

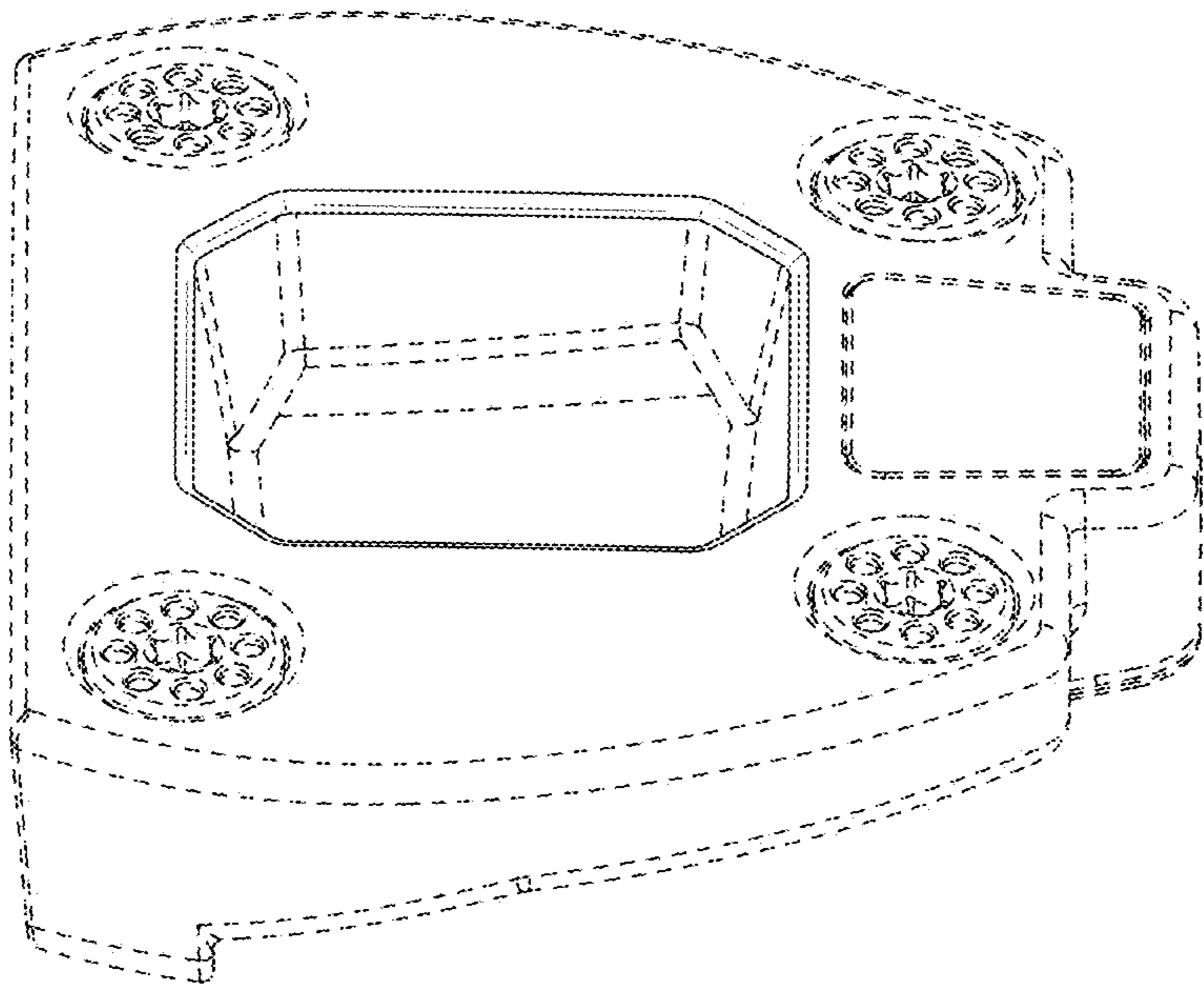


FIG. 16

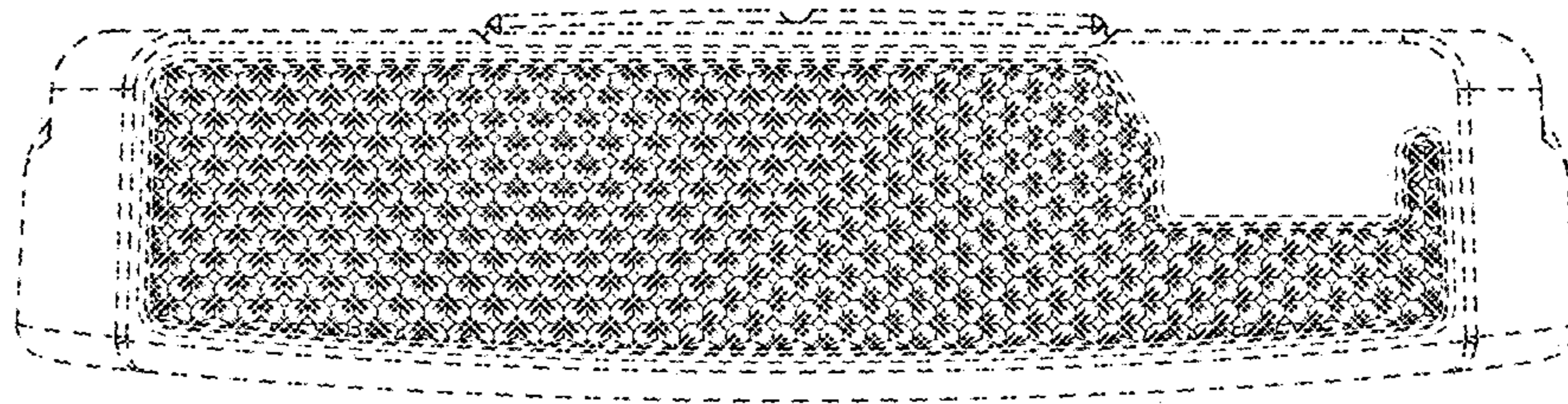


FIG. 17

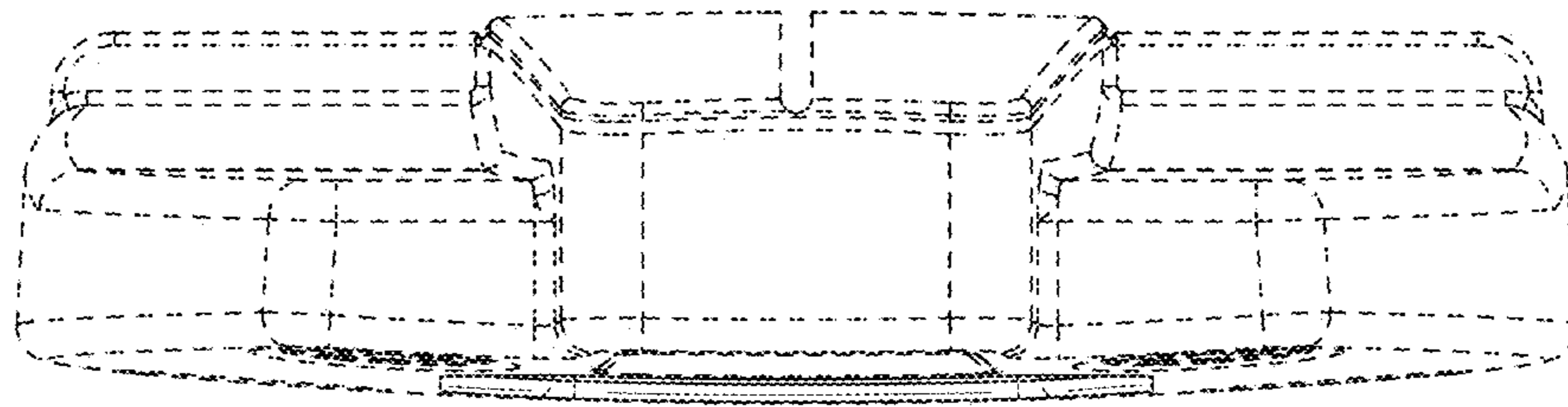


FIG. 18

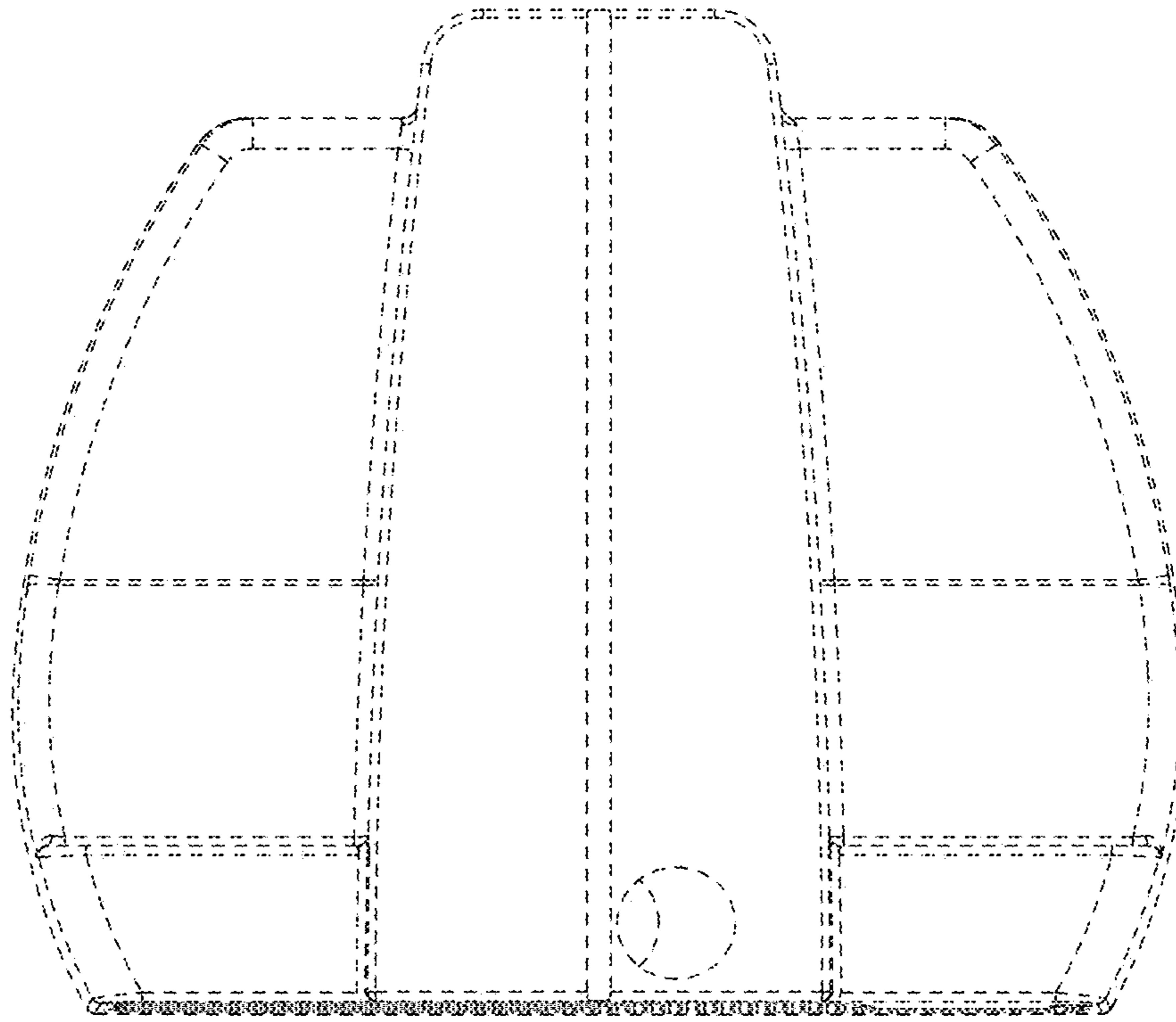


FIG. 19

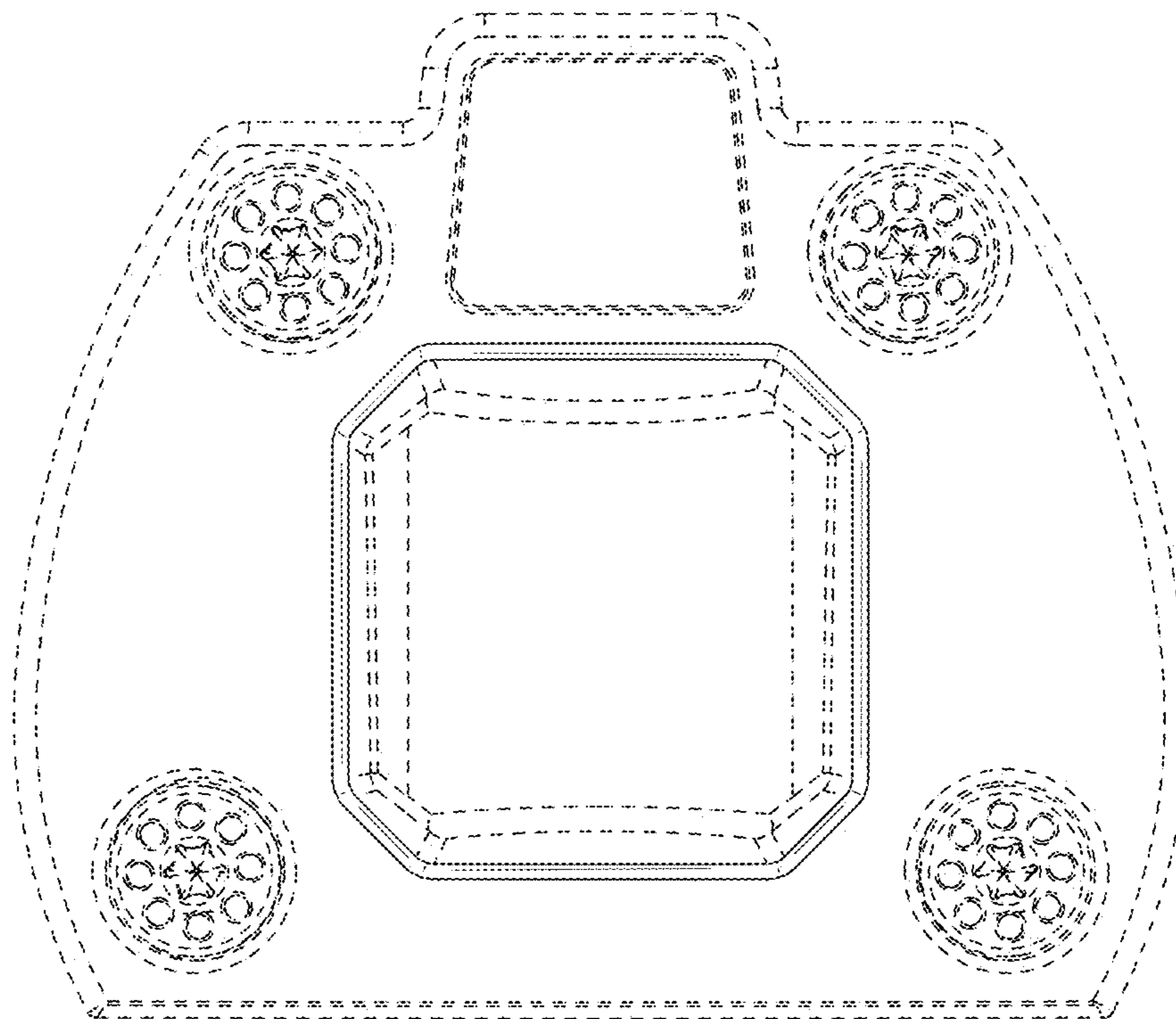


FIG. 20

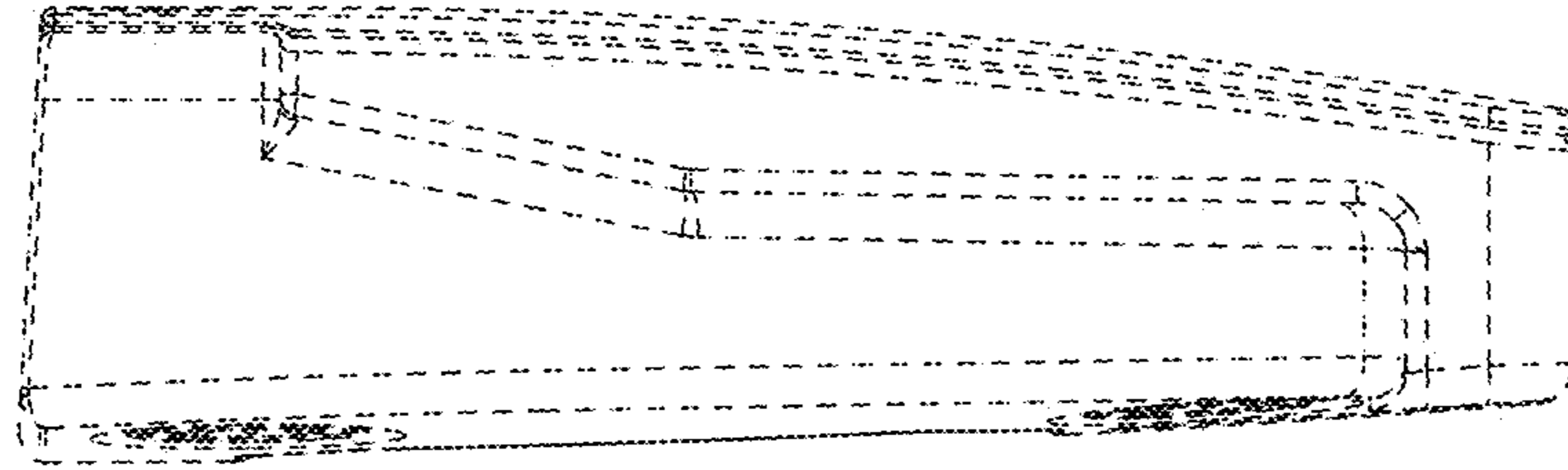


FIG. 21

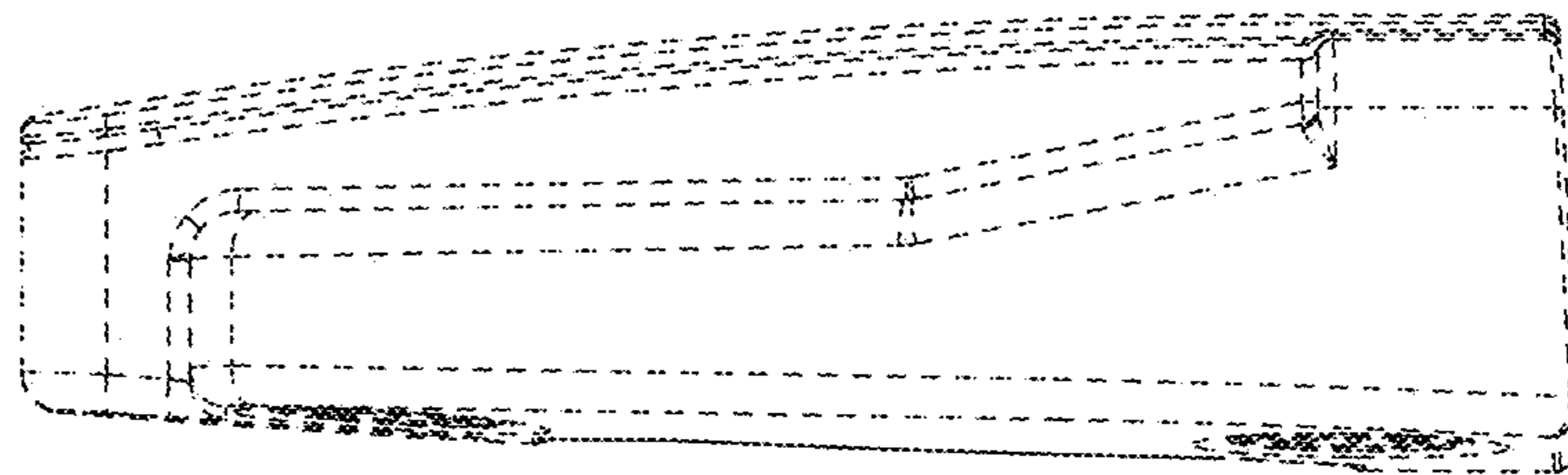


FIG. 22