



US0D1033548S

(12) **United States Design Patent** (10) **Patent No.:** **US D1,033,548 S**  
**Littlewood** (45) **Date of Patent:** **\*\* Jul. 2, 2024**

(54) **GAME SCOREBOARD AND BOARD RACK**

4,927,160 A \* 5/1990 Nichol ..... A63F 9/02  
273/DIG. 26

(71) Applicant: **Utah Cornhole, LLC**, Layton, UT  
(US)

D318,883 S \* 8/1991 Paziienza ..... D21/303  
6,458,048 B1 \* 10/2002 McGrath ..... A63B 69/0002  
473/456

(72) Inventor: **Chad Littlewood**, Layton, UT (US)

D729,320 S \* 5/2015 Parker ..... D21/303  
10,881,932 B2 \* 1/2021 Burns ..... A63B 67/06  
2009/0075764 A1 \* 3/2009 Zedick, Sr. .... A63B 63/00  
473/456

(73) Assignee: **Ghost Equipment, LLC**, Charlotte, NC  
(US)

(Continued)

(\*\*) Term: **15 Years**

**OTHER PUBLICATIONS**

(21) Appl. No.: **29/828,012**

American Cornhole League Score & Store, available on Twitter.com, date posted Dec. 19, 2021, [site visited Jul. 5, 2023], URL: <https://twitter.com/iplaycornholeHQ/status/1472612895355777029/photo/1> (Year: 2021).\*

(22) Filed: **Feb. 23, 2022**

(51) **LOC (14) Cl.** ..... **21-01**

(52) **U.S. Cl.**

USPC ..... **D21/385**; D10/46.1

(58) **Field of Classification Search**

USPC ..... D21/334, 342, 302, 303, 385, 396, 478,  
D21/699; D10/46, 46.1

CPC ..... A63F 7/00; A63F 7/0005; A63F 7/0023;  
A63F 7/0029; A63F 7/0035; A63F

7/0041; A63F 9/02; A63B 67/00; A63B  
67/06; A63B 67/066; A63B 63/00; A63B

63/003; A63B 63/08; A63B 63/065; A63B  
2067/061; A63B 2067/063; A63B

2067/065; A63B 71/00; A63B 63/06;

A63B 2063/065; A47F 1/00; A47F 3/00;

A47F 3/14; A47F 3/142; A47F 5/10;

A47F 5/11; A47F 5/112; A47F 5/114

See application file for complete search history.

(56) **References Cited**

**U.S. PATENT DOCUMENTS**

D222,485 S \* 10/1971 Grant ..... 273/287  
3,825,262 A \* 7/1974 Grzybowski ..... A63B 67/10  
273/412

4,441,719 A \* 4/1984 Lohr ..... A63B 67/002  
273/402

(Continued)

*Primary Examiner* — Cary M Robinson

*Assistant Examiner* — Emily Anna Saunders

(74) *Attorney, Agent, or Firm* — Sam IP Legal Solutions,  
P.C.; Ryan D. Sam

(57) **CLAIM**

The ornamental design for a game scoreboard and board rack, as shown and described.

**DESCRIPTION**

FIG. 1 is a top front perspective view of the game scoreboard and board rack showing my new design;

FIG. 2 is a bottom back perspective view thereof;

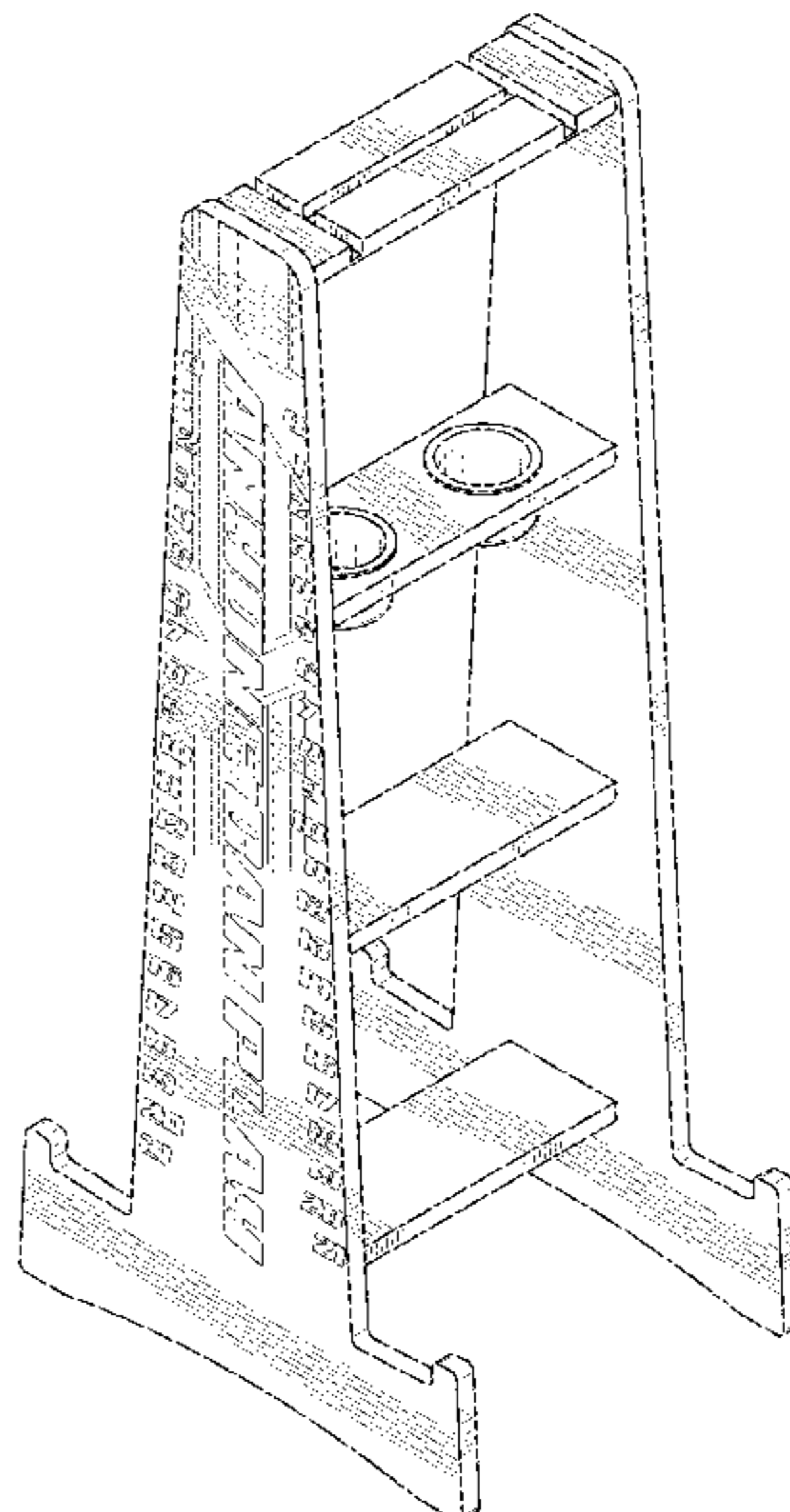
FIG. 3 is a front elevational view of the game scoreboard and board rack, wherein the back elevational view is a mirror image thereof;

FIG. 4 is a right side elevational view of the game scoreboard and board rack, wherein the left side elevational view is a mirror image thereof;

FIG. 5 is a top elevational view thereof; and,

FIG. 6 is a bottom elevational view thereof.

**1 Claim, 5 Drawing Sheets**



(56)

**References Cited**

U.S. PATENT DOCUMENTS

2011/0070981 A1\* 3/2011 Allshouse ..... A63B 63/00  
473/476  
2018/0256954 A1\* 9/2018 Schmidt ..... A63B 63/08  
2020/0238143 A1\* 7/2020 Howell ..... A63B 67/06  
2021/0101059 A1\* 4/2021 Hudak ..... A63B 71/023

OTHER PUBLICATIONS

Board Stand, available on westgeorgiacornhole.com, no date available, [site visited Jul. 5, 2023], URL: <https://westgeorgiacornhole.com/showcase-board-stand/> (Year: 2023).\*

Buffalo Board Stand, available on buffaloboards.com, oldest customer review with photo Dec. 1, 2020, [site visited Jul. 5, 2023], URL: <https://buffaloboards.com/products/buffalo-stand> (Year: 2020).\*

\* cited by examiner

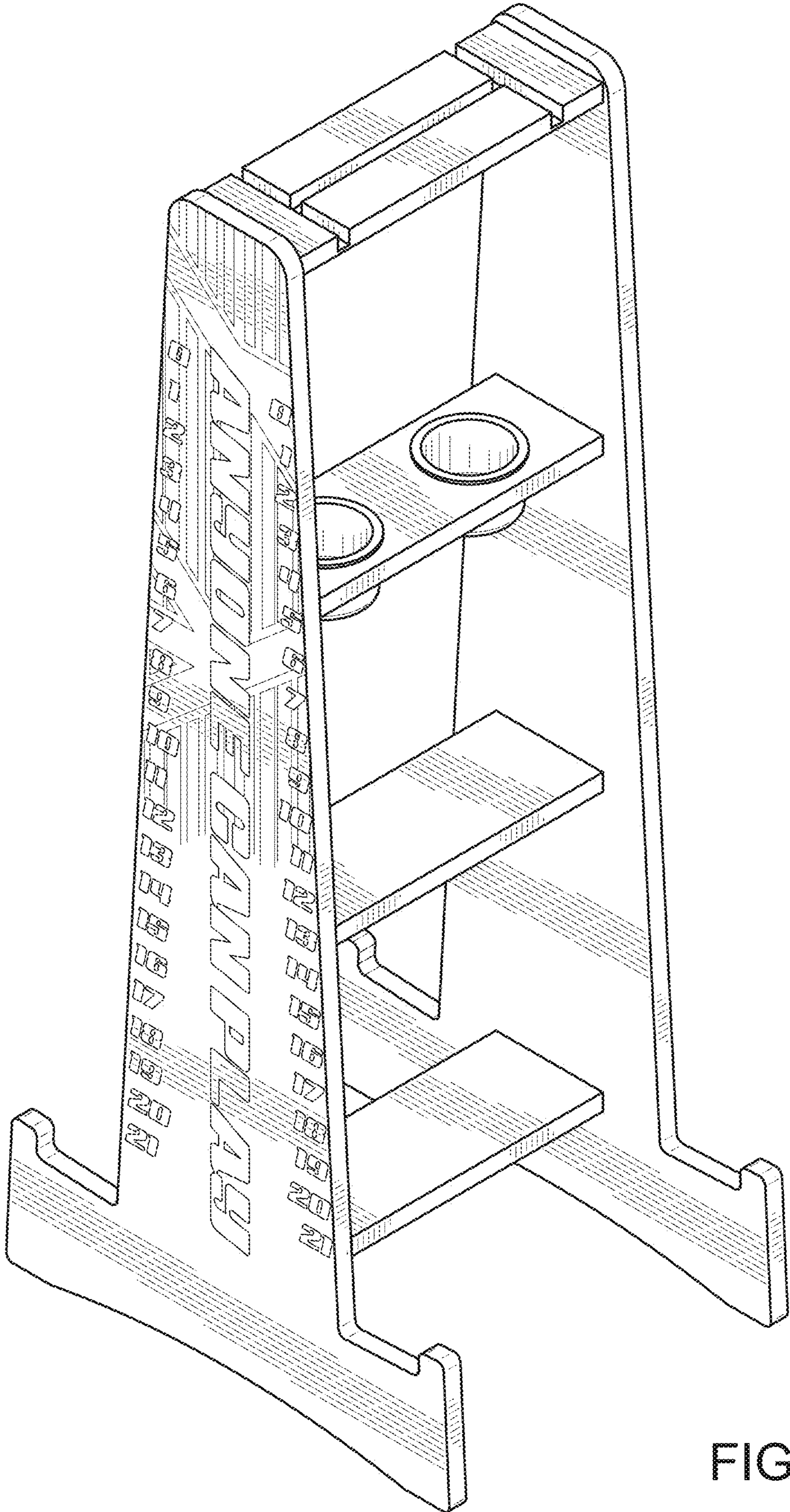


FIG. 1



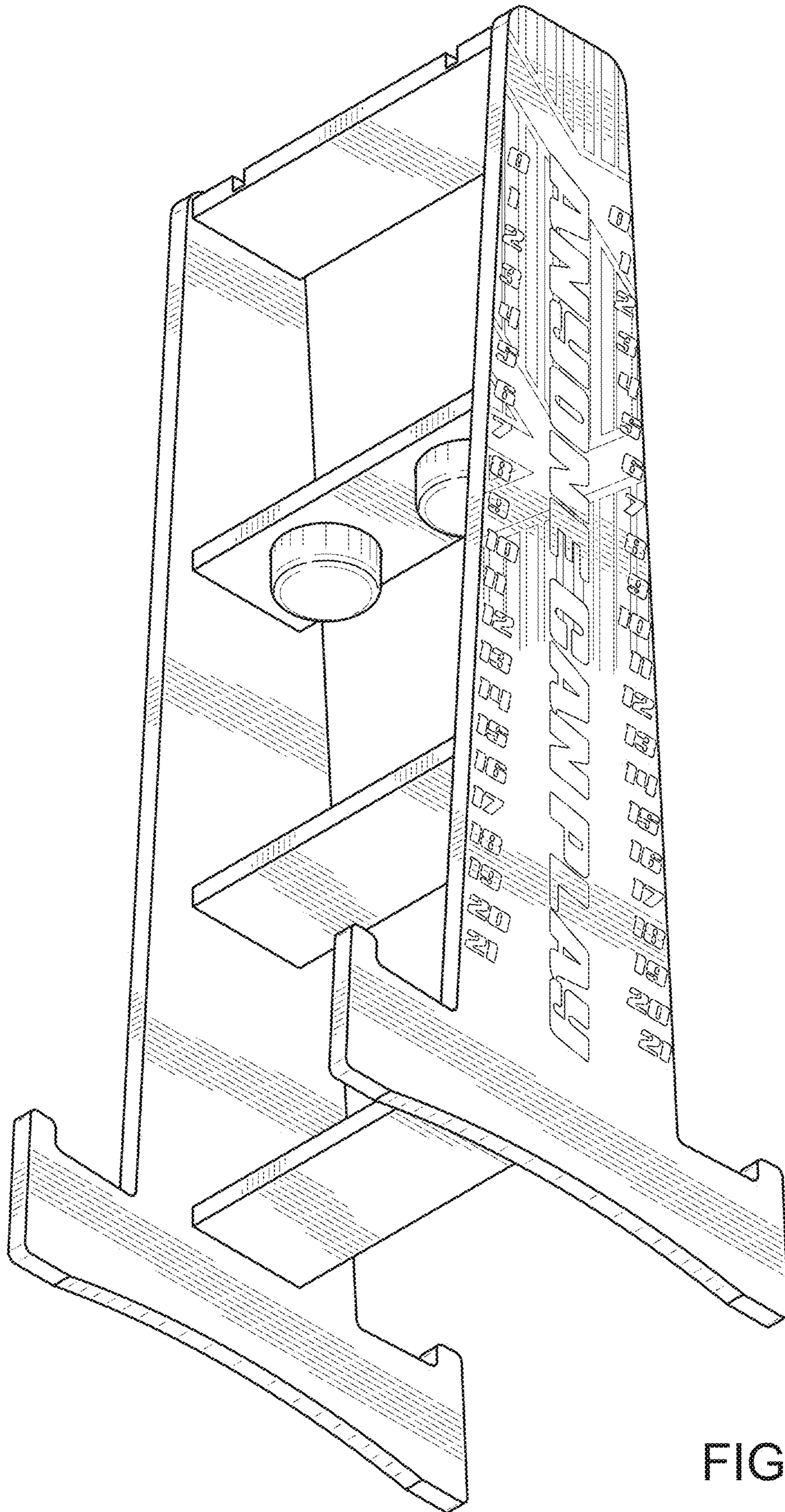


FIG. 2

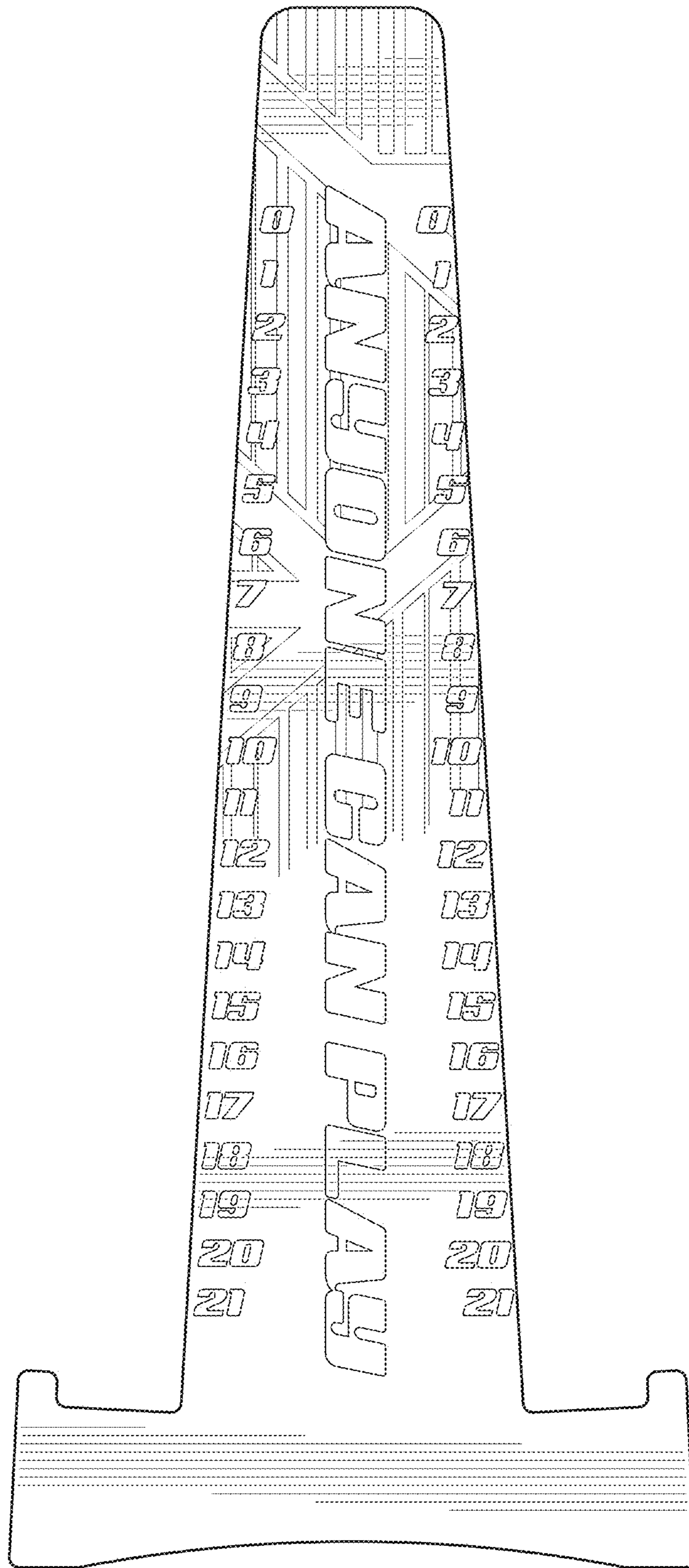


FIG. 3

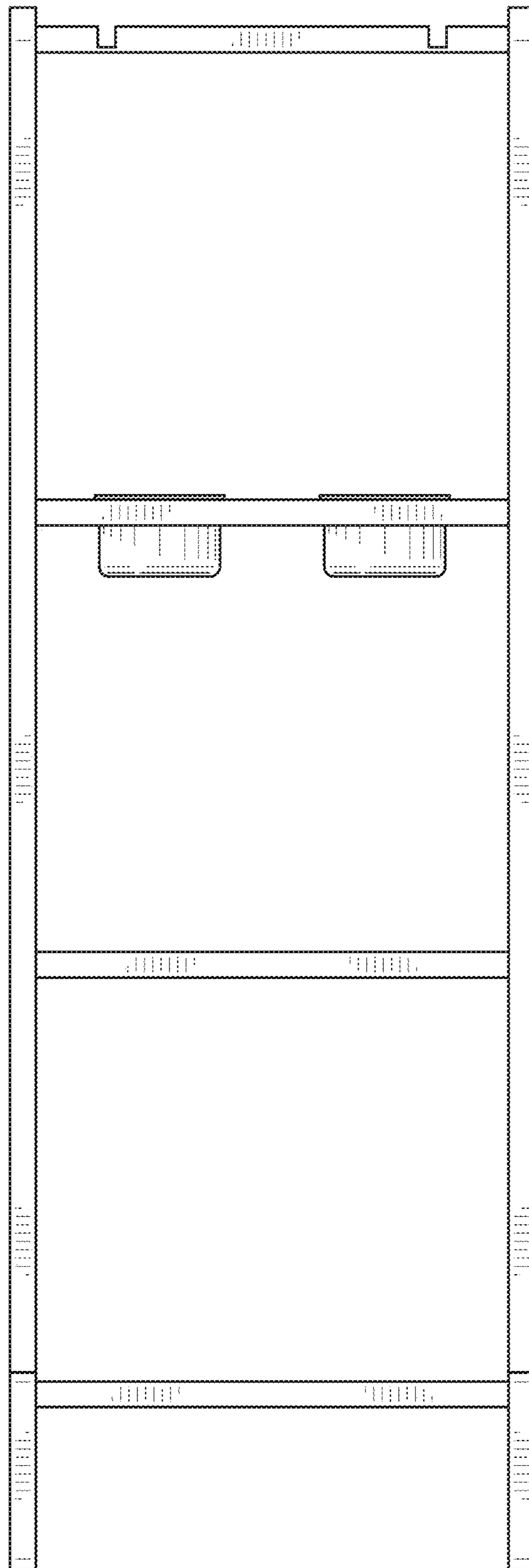


FIG. 4

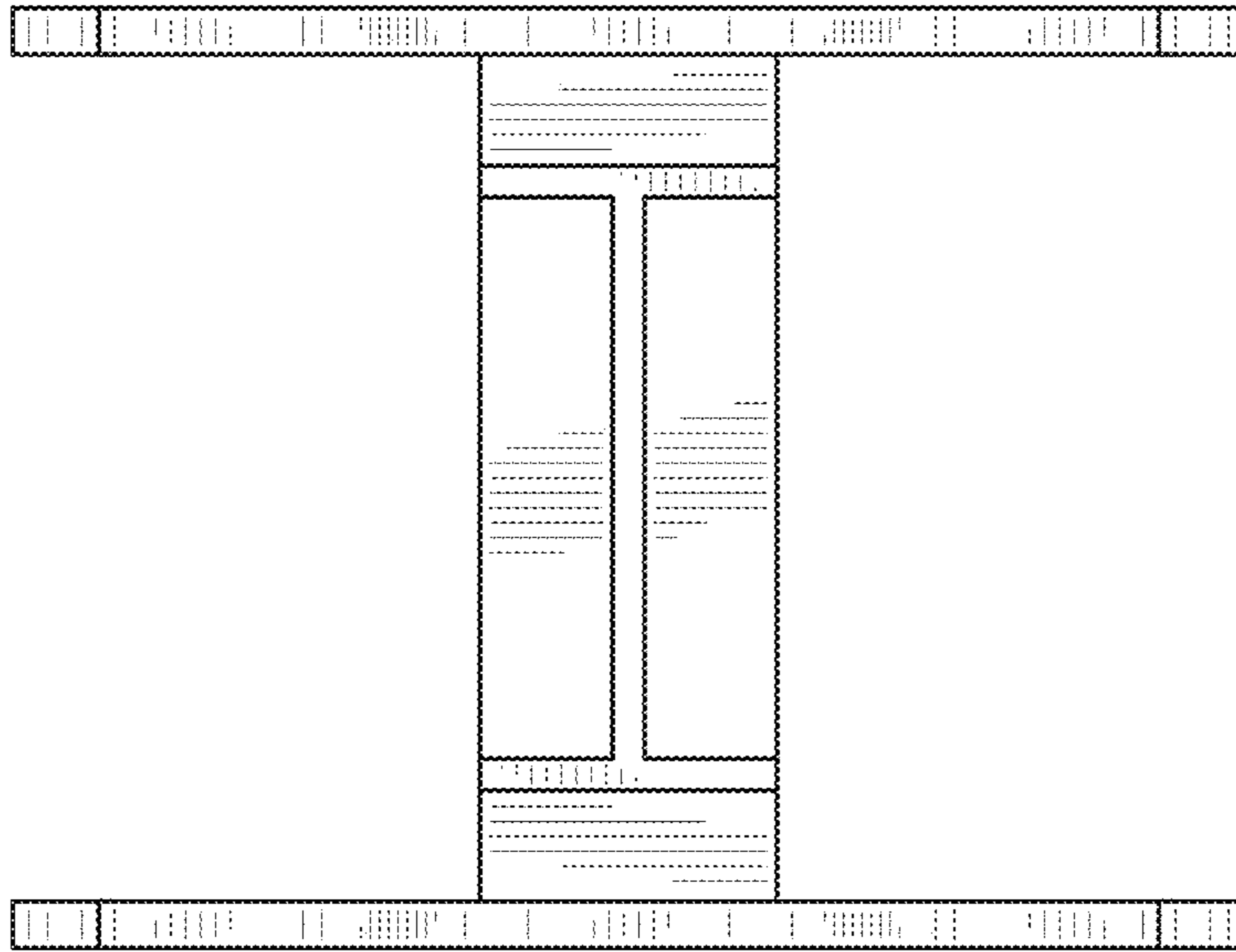


FIG. 5

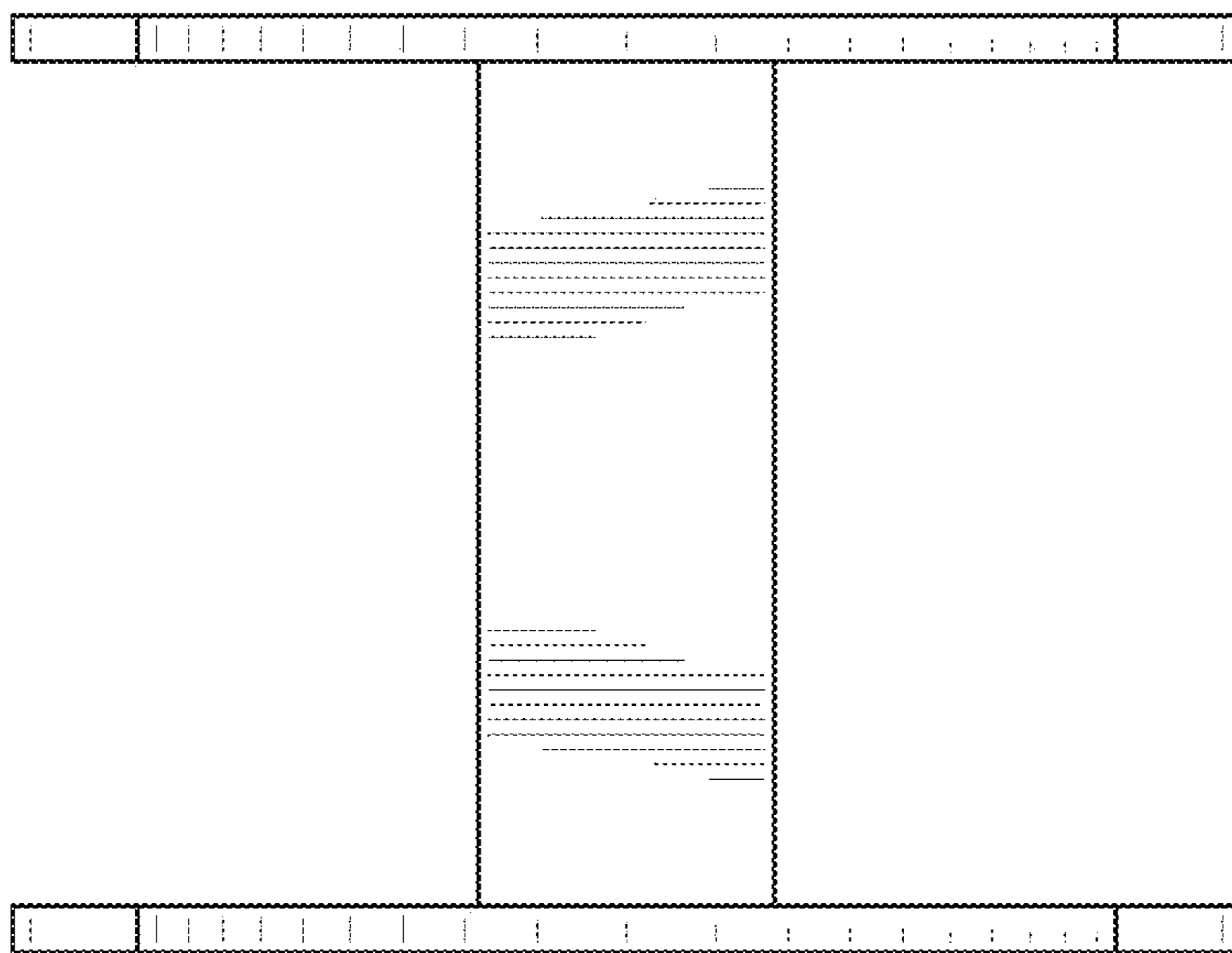


FIG. 6