



US0D1033488S

(12) **United States Design Patent** (10) **Patent No.:** **US D1,033,488 S**
Rajopadhye et al. (45) **Date of Patent:** **** Jul. 2, 2024**

(54) **HARVESTER VEHICLE, TOY AND/OR REPLICAS THEREOF**

(56) **References Cited**

U.S. PATENT DOCUMENTS

(71) Applicant: **Deere & Company**, Moline, IL (US)

2,216,366 A 10/1940 Greene
 3,384,232 A * 5/1968 Turnbull B62D 33/0617
 209/11

(72) Inventors: **Dhananjay Rajopadhye**, Pune (IN);
Paul M. Richardel, Polk City, IA (US);
Paul J McCredie, Bettendorf, IA (US);
Shantanu Acharya, Pune (IN); **Vivek Vedpathak**, Pune (IN); **Omkar Thurumalla**, Mississauga (CA); **Felix Nagelin**, Malibu, CA (US); **Tobias Adami**, Munich (DE)

4,502,270 A 3/1985 Shupert
 D283,135 S 3/1986 Funabashi et al.
 D288,206 S 2/1987 Moscovitch
 D294,223 S 2/1988 Gollon et al.
 D297,142 S 8/1988 Funabashi et al.
 D304,589 S 11/1989 Lanphere et al.
 D311,543 S 10/1990 Hardzinski et al.
 D327,276 S 6/1992 Sorensen
 D348,678 S 7/1994 Budde
 D353,704 S 12/1994 Bhambra
 D398,616 S 9/1998 Kwak et al.
 D416,266 S 11/1999 Del Torchio
 D419,164 S 1/2000 Heiler et al.
 D424,580 S 5/2000 Moehle et al.
 6,058,637 A 5/2000 Duncan
 D430,579 S 9/2000 Westendorf et al.
 D443,852 S 6/2001 Huang
 D447,153 S 8/2001 Hornung
 D447,754 S 9/2001 Smith et al.
 D448,037 S 9/2001 Westimayer et al.
 D451,106 S 11/2001 Crookes et al.
 D451,870 S 12/2001 Hurayt
 D458,944 S 6/2002 Crookes et al.
 D470,811 S 2/2003 Carroll
 D471,142 S 3/2003 Carroll
 D471,143 S 3/2003 Carroll
 D476,100 S 6/2003 Lin
 6,595,550 B1 7/2003 Meazzi
 D483,383 S 12/2003 Crookes et al.
 D484,080 S 12/2003 Yamamoto et al.
 D492,922 S 7/2004 Numata
 D495,344 S 8/2004 Farlow et al.
 D495,345 S 8/2004 Farlow et al.
 D496,314 S 9/2004 Perfetti et al.
 D499,680 S 12/2004 Lucas
 D512,079 S 11/2005 Farlow et al.
 D512,445 S 12/2005 Farlow et al.
 D517,121 S 3/2006 Li
 D520,527 S 5/2006 Crookes et al.
 D521,532 S 5/2006 Higashikawa
 D522,425 S 6/2006 Beigel et al.
 D528,134 S 9/2006 Vandendriessche et al.
 D531,646 S 11/2006 McCarren, Jr. et al.
 D531,647 S 11/2006 Stender et al.
 D533,569 S 12/2006 Mursch
 D533,882 S 12/2006 Higashikawa

(73) Assignee: **DEERE & COMPANY**, Moline, IL (US)

(**) Term: **15 Years**

(21) Appl. No.: **29/724,246**

(22) Filed: **Feb. 13, 2020**

Related U.S. Application Data

(63) Continuation of application No. 29/712,598, filed on Nov. 8, 2019, now Pat. No. Des. 914,066.

(30) **Foreign Application Priority Data**

May 9, 2019 (EM) 006437083
 May 9, 2019 (EM) 006437091

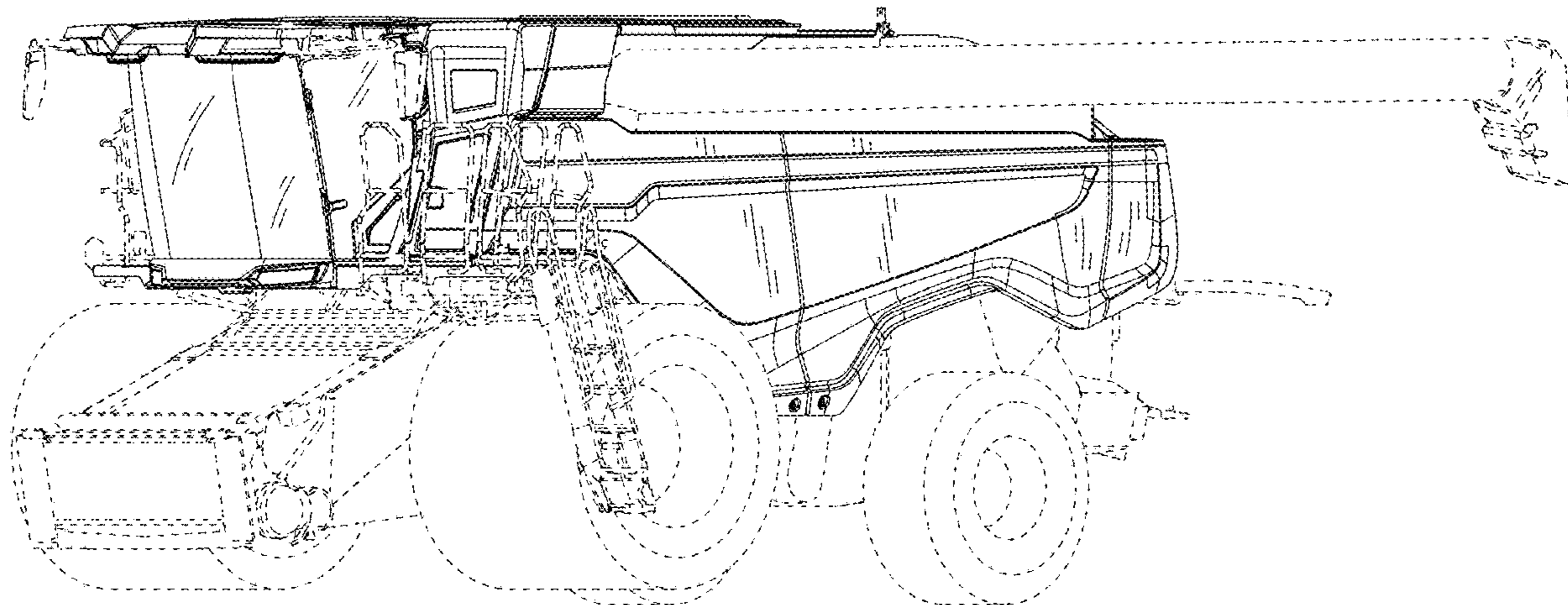
(51) **LOC (14) Cl.** **15-04**

(52) **U.S. Cl.**
 USPC **D15/22**

(58) **Field of Classification Search**

USPC D15/10-12, 22-26, 28
 CPC A01D 41/00; A01D 41/06; A01D 41/1208;
 A01D 75/00; A01D 45/00; A01D 45/02;
 A01D 45/021; A01B 73/00

See application file for complete search history.



US D1,033,488 S

D541,825 S	5/2007	Pettersson	D659,060 S	5/2012	Inoue et al.
D541,826 S	5/2007	Brush et al.	D659,722 S	5/2012	Blind et al.
D546,254 S	7/2007	Teng	D660,753 S	5/2012	Faghihzadeh
D546,255 S	7/2007	Teng	D660,755 S	5/2012	Inoue et al.
D553,159 S	10/2007	Higashikawa et al.	D660,874 S	5/2012	Werner et al.
D553,161 S	10/2007	Matsumoto	D660,879 S	5/2012	Laugurette
D553,268 S	10/2007	Pfeiffer	D660,881 S	5/2012	Bohme et al.
D554,669 S	11/2007	Crookes et al.	D661,323 S	6/2012	Krogh et al.
D556,789 S	12/2007	Kitayama et al.	D662,524 S	6/2012	Crookes et al.
D557,714 S	12/2007	Higashikawa	D663,229 S	7/2012	Waltersdorf
D558,797 S	1/2008	Yamamoto et al.	D663,752 S	7/2012	Hickman et al.
D558,799 S	1/2008	Higashikawa	D663,753 S	7/2012	Hickman et al.
D560,693 S	1/2008	Moen et al.	D665,428 S	8/2012	Hickman et al.
D561,205 S	2/2008	Pettersson	D665,429 S	8/2012	Hickman et al.
D565,211 S	3/2008	Haller et al.	D667,851 S	9/2012	Warr
D566,138 S *	4/2008	Forkert D15/27	D668,693 S	10/2012	Ringer
D567,257 S	4/2008	Wilkins	D668,695 S	10/2012	Ringer
D568,905 S	5/2008	Heusinger et al.	D670,744 S	11/2012	Ewringmann
D570,015 S	5/2008	Hsu	D670,745 S	11/2012	Warr
D570,378 S	6/2008	Heusinger et al.	D671,566 S	11/2012	Fang et al.
D570,382 S	6/2008	Higashikawa	D673,489 S	1/2013	Hanson et al.
D571,378 S	6/2008	Bernard et al.	D674,410 S	1/2013	Blind et al.
D574,022 S	7/2008	Higashikawa	D674,820 S	1/2013	Budde
D579,028 S	10/2008	VanDeVeer et al.	D674,821 S	1/2013	Budde
D581,467 S	11/2008	Winningham et al.	D674,938 S	1/2013	Lai
D581,955 S	12/2008	Matsumoto et al.	D675,233 S	1/2013	Kushita et al.
D591,437 S	4/2009	Saridakis et al.	D676,463 S	2/2013	Ewringmann et al.
D591,777 S	5/2009	Kokitkar et al.	D676,466 S	2/2013	Ewringmann et al.
D593,233 S	5/2009	Bai et al.	D676,786 S	2/2013	Werner et al.
D594,797 S	6/2009	Lee	D682,323 S	5/2013	Ryan et al.
D594,908 S	6/2009	Sauter	D682,324 S	5/2013	Ryan et al.
D595,778 S	7/2009	Sauter	D687,868 S	8/2013	Watson et al.
D595,779 S	7/2009	Sauter	D688,176 S	8/2013	Campbell et al.
D596,205 S	7/2009	Kawashiri et al.	D690,635 S	10/2013	Hovind et al.
D596,671 S	7/2009	Sauter	D697,536 S	1/2014	Nuebel
D597,007 S	7/2009	Ferman	D699,765 S	2/2014	Tentinger et al.
D598,831 S	8/2009	Honsel et al.	D699,766 S	2/2014	Ryan et al.
D600,183 S	9/2009	Habib	D702,608 S	4/2014	Hall et al.
D600,185 S	9/2009	Habib	D702,610 S	4/2014	Hall et al.
D600,376 S	9/2009	Sugiura	D703,699 S	4/2014	Shimomura et al.
D601,730 S	10/2009	Richards et al.	D704,749 S	5/2014	Shimomura et al.
D602,047 S	10/2009	Kushita et al.	D704,750 S	5/2014	Shimomura et al.
D602,507 S	10/2009	Kushita	D706,841 S	6/2014	Shimomura et al.
D602,616 S	10/2009	Okamura et al.	D707,729 S	6/2014	Jackson et al.
D602,991 S	10/2009	Sauter	D707,730 S	6/2014	Jackson et al.
D603,881 S	11/2009	Tamplain, III et al.	D709,419 S	7/2014	Watkins
D605,207 S	12/2009	Menges et al.	D710,264 S	8/2014	Watkins et al.
D605,668 S	12/2009	Matsumoto et al.	D711,302 S	8/2014	van Braeckel
D607,391 S	1/2010	Krauss	D711,930 S	8/2014	Kuwae et al.
D609,750 S	2/2010	Sauter	D713,075 S	9/2014	Lee
D611,963 S	3/2010	Kuwae et al.	D714,838 S	10/2014	Shimomura et al.
D613,220 S	4/2010	Ikeda et al.	D715,332 S	10/2014	Kuwae
D613,224 S	4/2010	Beigel et al.	D716,348 S	10/2014	Ryan et al.
D613,313 S	4/2010	Bhanuprakash	D716,846 S	11/2014	Carter et al.
D614,105 S	4/2010	Elliott et al.	D717,838 S	11/2014	Kuwae et al.
D614,205 S	4/2010	Kuwae et al.	D720,370 S	12/2014	Carter et al.
D620,157 S	7/2010	Frenzel et al.	D720,371 S	12/2014	Furukawa et al.
D620,503 S	7/2010	Krogh et al.	D720,871 S	1/2015	Lim et al.
D620,955 S	8/2010	Krogh et al.	D721,105 S	1/2015	Okuyama et al.
D621,757 S	8/2010	Denet	D721,742 S	1/2015	Lee et al.
D623,104 S	9/2010	Akasawa et al.	D721,994 S	2/2015	Graber et al.
D625,741 S	10/2010	Seidel et al.	D722,187 S	2/2015	Gerardo
D628,599 S	12/2010	Major	D727,371 S	4/2015	Rhayakar et al.
D629,017 S	12/2010	Major	D728,631 S	5/2015	Richard et al.
D629,818 S	12/2010	Rummer et al.	D728,640 S	5/2015	Turner et al.
D631,489 S	1/2011	Booth et al.	D729,281 S	5/2015	Carter et al.
D632,312 S	2/2011	Booth et al.	D729,282 S	5/2015	Sasaki
D632,704 S	2/2011	Seidel et al.	D733,767 S	7/2015	Kushita et al.
D636,000 S	4/2011	Kim et al.	D733,945 S	7/2015	Kennemer et al.
D637,127 S	5/2011	Faghihzadeh	D734,781 S	7/2015	Schnering et al.
D641,027 S	7/2011	Kawashiri et al.	D736,270 S	8/2015	Jackson et al.
D642,597 S	8/2011	Krogh et al.	D740,976 S	10/2015	Ko et al.
D643,444 S	8/2011	Colvin et al.	D743,065 S	11/2015	Weil
D646,305 S	10/2011	Krogh et al.	D745,717 S	12/2015	Wu
D646,333 S	10/2011	Davis	9,228,589 B2 *	1/2016	Hummel A01D 46/12
D649,584 S	11/2011	Kovally	D748,677 S	2/2016	Kushita et al.
D650,816 S	12/2011	Koponen et al.	D749,148 S	2/2016	Darekar et al.
D655,317 S	3/2012	Hagele et al.	D749,149 S	2/2016	McAdam et al.
D655,318 S	3/2012	Hagele et al.	D751,611 S	3/2016	Smith et al.

D753,194 S 4/2016 Jackson et al.
 D753,195 S 4/2016 Jackson et al.
 D754,210 S 4/2016 Margutti et al.
 D755,256 S 5/2016 Okuyama et al.
 D756,003 S 5/2016 Kong et al.
 D756,421 S 5/2016 Okuyama et al.
 D757,826 S 5/2016 Hartz et al.
 D759,129 S 6/2016 Kushita et al.
 D760,410 S 6/2016 Arroba
 D760,815 S 7/2016 Okuyama et al.
 D763,756 S 8/2016 Enz
 D765,740 S 9/2016 Jackson et al.
 D766,340 S 9/2016 Jackson et al.
 D766,341 S 9/2016 Jacobsthal et al.
 D768,210 S 10/2016 Jacobsthal et al.
 D772,309 S 11/2016 Underhill et al.
 D774,111 S 12/2016 Underhill et al.
 D775,033 S 12/2016 Wang
 D775,244 S 12/2016 Hart et al.
 D777,215 S 1/2017 Moritaka et al.
 D777,219 S 1/2017 Hanke et al.
 D777,220 S 1/2017 Powell
 D777,805 S 1/2017 Steinhardt et al.
 D777,957 S 1/2017 Ha et al.
 D778,963 S 2/2017 Yang et al.
 D780,231 S 2/2017 Saari et al.
 D780,232 S 2/2017 Saari et al.
 D780,233 S 2/2017 Saari et al.
 D780,235 S 2/2017 Kim
 D783,059 S 4/2017 Okuyama et al.
 D783,476 S 4/2017 Huang
 D784,425 S 4/2017 Cooksey et al.
 D784,887 S 4/2017 Woolley
 D785,050 S 4/2017 Okuyama et al.
 D785,051 S 4/2017 Okuyama et al.
 D785,053 S 4/2017 Okuyama et al.
 D785,681 S 5/2017 Okuyama et al.
 D786,945 S 5/2017 Smith et al.
 D787,721 S 5/2017 Lai
 D789,427 S 6/2017 Jackson et al.
 D791,659 S 7/2017 Ito et al.
 D792,300 S 7/2017 Ferman
 D792,483 S 7/2017 Jackson et al.
 D794,521 S 8/2017 Tseng
 D797,332 S 9/2017 Lin
 D799,728 S 10/2017 Whitla et al.
 D800,038 S 10/2017 Ferman
 D802,871 S 11/2017 Knie
 D803,435 S 11/2017 Cotner et al.
 D804,539 S 12/2017 Okuyama et al.
 D808,315 S 1/2018 Danze
 D809,682 S 2/2018 Lin
 D815,001 S 4/2018 Banceu et al.
 D815,577 S 4/2018 Chiang
 D822,241 S 7/2018 Lee et al.
 D824,058 S 7/2018 Hong et al.
 D824,305 S 7/2018 Henry et al.
 D826,994 S * 8/2018 De Smet D15/26
 D828,245 S 9/2018 Scott
 D837,837 S 1/2019 Park
 D843,421 S 3/2019 Gonzales et al.
 D843,621 S 3/2019 Yang
 D851,794 S 6/2019 Lin
 D854,056 S 7/2019 Futagami et al.
 D863,160 S 10/2019 Gifford et al.
 D865,600 S 11/2019 Goodrich et al.
 D866,824 S 11/2019 Lin
 D867,249 S 11/2019 Chen
 D871,462 S 12/2019 Svitek et al.
 D874,033 S 1/2020 Park Cheng et al.
 D874,524 S 2/2020 Iwata et al.
 D877,209 S 3/2020 Winkel et al.
 D883,535 S 5/2020 He
 D887,041 S 6/2020 Lin
 D888,108 S * 6/2020 Loggan D15/33
 D890,382 S 7/2020 Wu
 D892,175 S * 8/2020 Leeb D15/26
 D892,369 S 8/2020 Lin
 D893,066 S 8/2020 Lin

D895,688 S * 9/2020 Wagner D15/26
 D895,730 S 9/2020 Nagelin et al.
 D897,376 S * 9/2020 Henry D15/19
 D898,782 S * 10/2020 Wagner D15/26
 D902,815 S 11/2020 Wheel
 2004/0123504 A1 7/2004 Williams
 2006/0254237 A1 * 11/2006 Ricketts A01D 69/03
 56/14.7
 2011/0147497 A1 * 6/2011 Hiddema A01C 23/047
 239/722
 2014/0217718 A1 8/2014 ODonnell et al.
 2015/0307033 A1 10/2015 Preisler et al.
 2017/0086374 A1 3/2017 Engel
 2018/0117954 A1 5/2018 Brown
 2022/0183230 A1 * 6/2022 Faulring B25J 11/0045

FOREIGN PATENT DOCUMENTS

CN 302092321 S 9/2012
 CN 302220180 S 12/2012
 CN 304913471 S 11/2018
 CN 305100471 S 5/2019
 KR 300611812 S 9/2011
 KR 300789169 S 3/2015

OTHER PUBLICATIONS

Deere & Company, Grain Harvesting Combines and Front End Equipment, Brochure, Oct. 2018.
 Claas of America, Improves Profitability with Increasing Revenue, Google Search, <https://www.serbia.claas.com/news-testimonials/current/claas-news/claas-improves-profitability-with-increasing-revenue-/1904264>, 2019.
 Claas of America, photograph of header, 2017.
 New Holland, Overview—Corn Heads Leading From The Front, Combines & Headers, <https://agriculture.newholland.com/nar/en-us/equipment/products/combines-and-headers/corn-heads>, 2019.
 Macdon Industries Ltd, D65 Draper Header, Draper Headers for Combine, <https://www.macdon.com/en/products/d65-draper-headers-for-combine/>, 2019.
 New Holland, Draper Heads—Overview Combines & Headers New Holland (US) NHAG, <https://agriculture.newholland.com/nar/en-us/equipment/products/combines-and-headers/draper-heads>, 2019.
 Case IH, Draper Heads Combine Harvester, Case IH 3100 Series II Draper Heads, <https://www.caseih.com/northamerica/en-us/products/harvesting/draper-heads>, Copyright 2020.
 Massey Ferguson, 9250 DynaFlex Draper Header, <http://www.masseyferguson.us/products/combine-harvesting/9250-dynaflex-draper-headers.html#0>, Copyright 2020.
 50 HP Blue Sonalika DI 47 Rx Tractor, retrieved from Internet <<https://www.indiamart.com/proddetail/sonalika-di-47-rx-tractor-19114279955.html>> Jun. 26, 2019, 5 pages.
 Case Farmall A Series Tractors Brochure, 2011, 7 pages.
 Case Farmall C Tractors Brochure, 2013, 16 pages.
 Case Farmall U Tractors Brochure 11-13, 2013, 12 pages.
 Case Maxxum Series Tractors Brochure, 2012, 24 pages.
 Case Steiger Tractor Brochure, 2014, 32 pages.
 Challenger MT 465 B Tractor Decals, retrieved from Internet <<https://equipment-decals.myshopify.com/products/challenger-mt-465-b-tractor-decals>> Jun. 26, 2019, 5 pages.
 Deutz 5 series brochure, publicly available before May 2015, 24 pages.
 Deutz 308 8514 34-1 Series 7 Agrotan, publicly available before May 2015, 28 pages.
 Deutz-Fahr, Deutz Agroclimber F-V—Tractors Crawlers, retrieved from internet <<http://www.deutz-fahr.com/en-US/products/tractors/722-agroclimber-f-v>> May 19, 2015, 5 pages.
 Deutz Agrofarm-g brochure, publicly available before May 2015, 11 pages.
 Deutz-Fahr, Deutz Agrolux 65-75—Tractors Open field, retrieved from internet <<http://www.deutz-fahr.com/en-US/products/tractors/835-agrolux-65-75>> May 19, 2015, 4 pages.

Deutz-Fahr, Deutz Agrolux 310-320-410—Tractors Open field, retrieved from internet <<http://www.deutz-fahr.com/en-US/products/tractors/864-agrolux-310-320-410>> May 19, 2015, 4 pages.

Agco, Fendt 200Vario, publicly available before May 2015, 17 pages.

John Deere Pedal Tractor Decals Tractors, retrieved from internet <<http://todayview.co/ideas/>> Jun. 26, 2019, 3 pages.

Mahindra JIVO 245, retrieved from internet <<https://tractorsinfo.com/mahindra-jivo-245-di-4wd-mini-tractor-price-list/>> Jun. 26, 2019, 9 pages.

Mahindra Tractor JIVO 245 DI, retrieved from internet <<https://www.tractorjunction.com/product/370/mahindra-tractor-ivo-245-di>> Jun. 26, 2019, 5 pages.

Solis 75N Traktor Schlepper Kein New Holland, retrieved from internet <<https://www.mascus.com/agriculture/used-tractors/solis-75n-traktor-schlepper-kein-new-h>> Jun. 26, 2019, 3 pages.

Tractor Decals, retrieved from internet <<https://www.indiamart.com/proddetail/tractor-decals-10179545988.html>>, Jun. 29, 2019, 4 pages.

Mahindra targets 50% share in domestic tractor market with Trakstar brand, retrieved from internet <<https://www.moneycontrol.com/news/technology/auto/mahindra-targets-50-share-in-domestic-tractor-market-with-trakstar-brand-2645381.html>> Jun. 27, 2019, 6 pages.

Hagner et al., Operator Station for Work Vehicle, unpublished design U.S. Appl. No. 29/647,298, filed May 11, 2018, 101 pages. Big 4, available at least as early as May 2015, 1 page.

Cub Cadet, available at least as early as May 2015, 1 page.

Massey Ferguson, available at least as early as May 2015, 1 page.

International Harvester, available at least as early as May 2015, 1 page.

Deutz-Fahr (7250 TTV Warrior), available at least as early as May 2015, 4 pages.

Deere & Company, Deere 8R-8RT Series, 2015, 6 pages.

Agco, Fendt 900 Series, 2012, 28 pages.

Case Magnum 180-380 Brochure, 2014, 28 pages.

Agco, Fendt 300Vario, available at least as early as May 2015, 23 pages.

Agco, Fendt 500Vario, available at least as early as May 2015, 25 pages.

Agco, Fendt 700 series brochure, 2012, 32 pages.

Agco, Fendt 800 Vario, 2014, 4 pages.

Agco, Fendt X Concept Tractors, retrieved from <<http://www.fendt.com/us/2466.asp>> May 18, 2015, 3 pages.

Case Puma Series Brochure, 2011, 28 pages.

Deutz-Fahr 6 Series, available at least as early as May 2015, 32 pages.

Deere Flared Fenders, available at least as early as May 2015, 1 page.

Deere Reverse Decal, available at least as early as May 2015, 1 page.

Agritechnica 2017—Gold and Silver, <https://www.agritechnica.com/en/innovation-award/gold-and-silver/>, accessed Feb. 5, 2017, 18 pages.

* cited by examiner

Primary Examiner — Richard Kearney

Assistant Examiner — Benjamin M Weeks

(74) *Attorney, Agent, or Firm* — KLINTWORTH & ROZENBLAT IP LLP

(57) CLAIM

The ornamental design for a harvester vehicle, toy and/or replica thereof, as shown and described.

DESCRIPTION

FIG. 1 is a perspective view of a harvester vehicle, toy and/or replica thereof according to our new design;

FIG. 2 is a first end elevational view thereof;

FIG. 3 is a second end elevational view thereof;

FIG. 4 is a first side elevational view thereof;

FIG. 5 is a second side elevational view thereof;

FIG. 6 is a first plan view thereof; and,

FIG. 7 is a second plan view thereof.

The broken lines depict portions of the article and form no part of the claimed design.

1 Claim, 7 Drawing Sheets

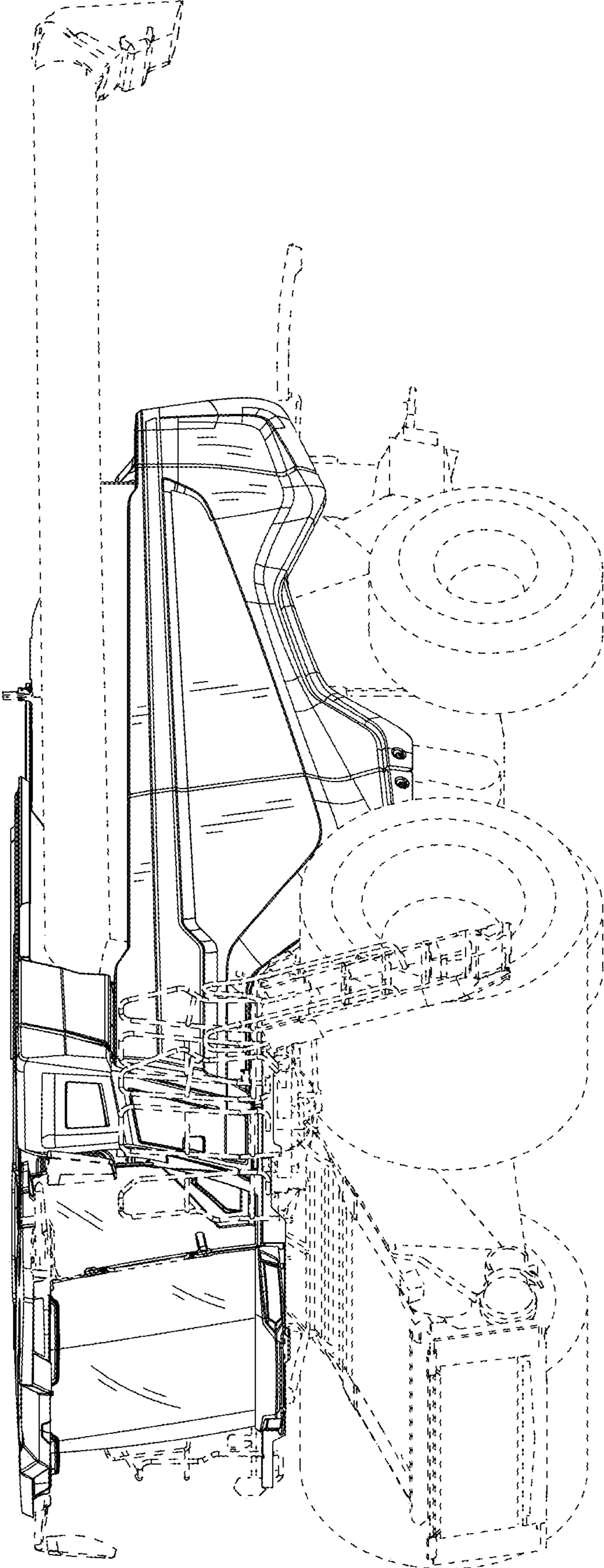


FIG. 1

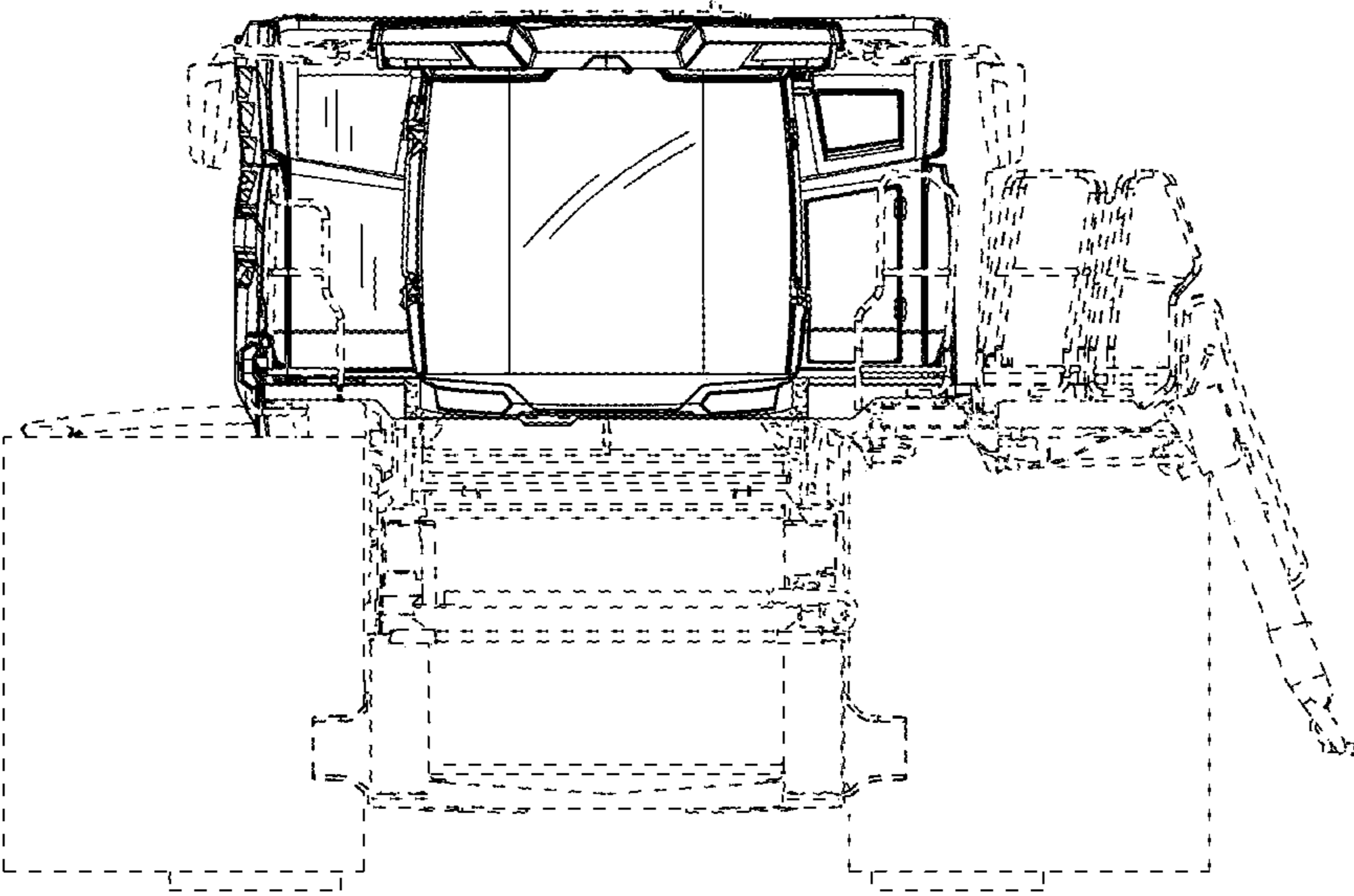


FIG. 2

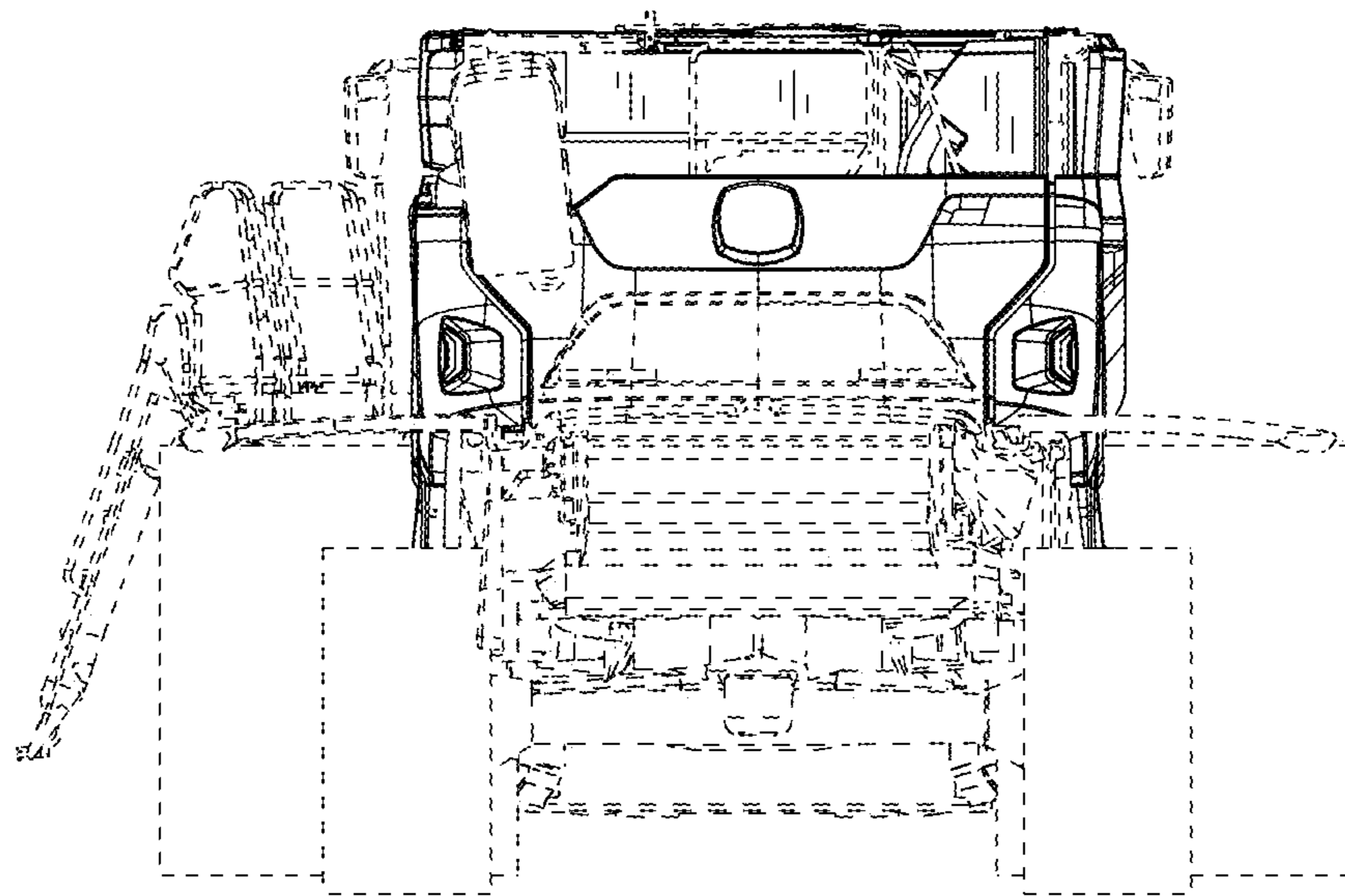


FIG. 3

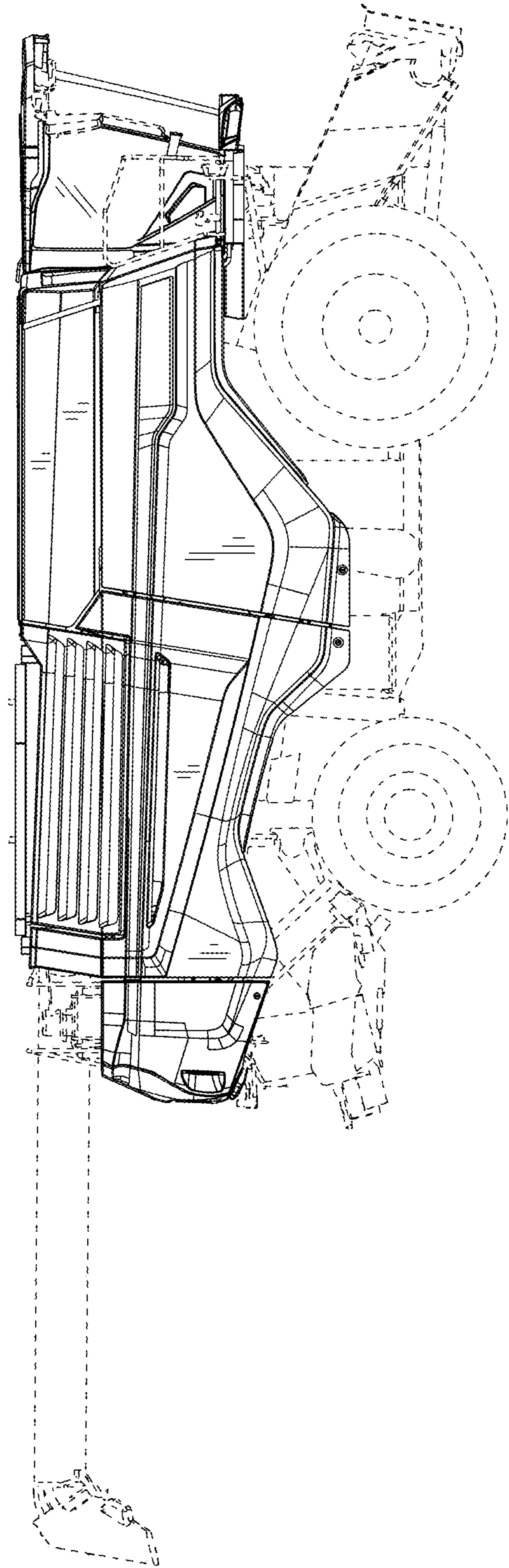


FIG. 4

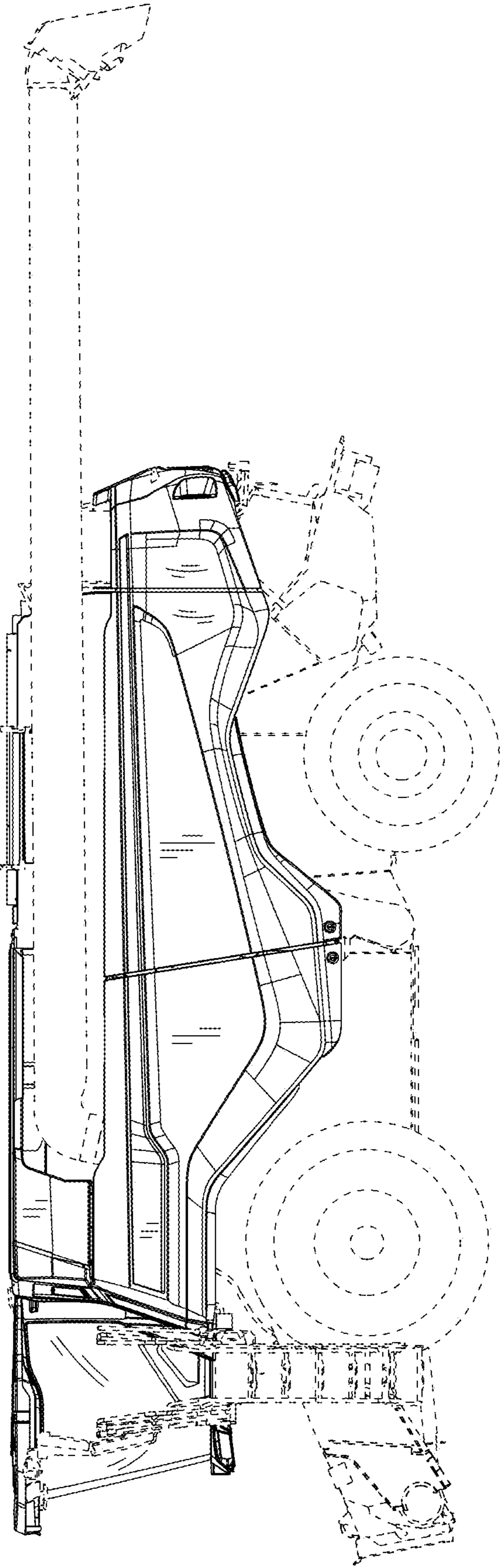


FIG. 5

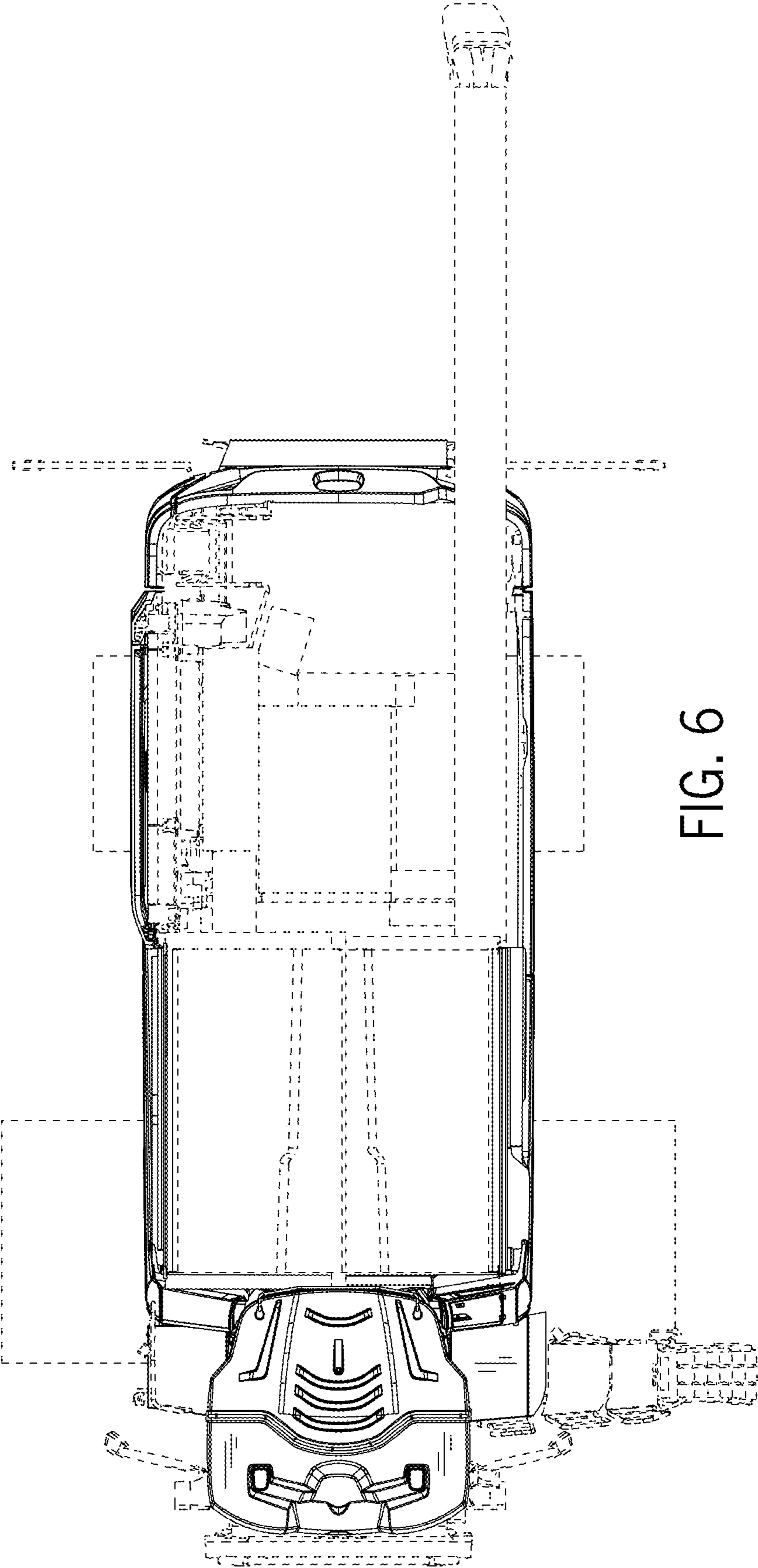


FIG. 6

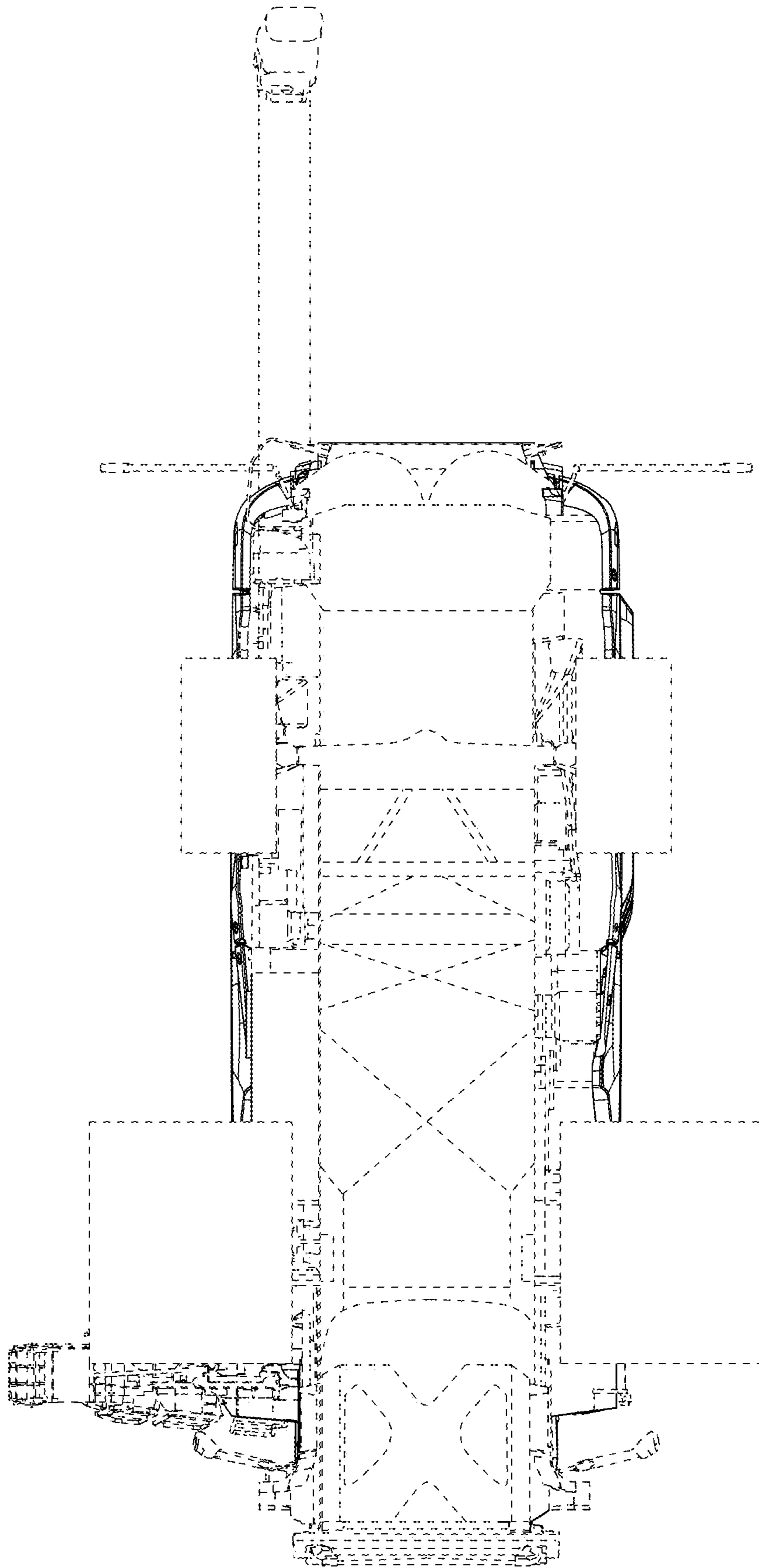


FIG. 7