



US0D1033484S

(12) **United States Design Patent** (10) **Patent No.:** **US D1,033,484 S**
Wang (45) **Date of Patent:** **** Jul. 2, 2024**

(54) **MACERATOR PUMP**

(71) Applicant: **SANI MOVE INC**, Arvada, CO (US)

(72) Inventor: **Sa Wang**, Zhejiang (CN)

(**) Term: **15 Years**

(21) Appl. No.: **29/858,512**

(22) Filed: **Nov. 1, 2022**

(51) **LOC (14) Cl.** **15-02**

(52) **U.S. Cl.**
USPC **D15/7**

(58) **Field of Classification Search**
USPC D13/103, 107; D15/7, 8, 9
CPC F04B 53/00; F04B 1/005; F04B 25/00;
F04B 35/00; F04B 37/00; F04B 39/00;
F04B 45/08; F04B 43/08; F04B 17/03;
F04B 35/04; B60S 5/04; B60S 5/046;
F04D 29/64

See application file for complete search history.

(56) **References Cited**

U.S. PATENT DOCUMENTS

D931,339 S	9/2021	Wang	
D942,511 S *	2/2022	Wang	D15/7
D947,902 S *	4/2022	Tu	D15/7
D961,623 S *	8/2022	Wang	D15/7
D999,790 S *	9/2023	Yu	D15/7
2012/0204337 A1 *	8/2012	Pohler	B02C 18/0092 4/319
2013/0185858 A1 *	7/2013	Pohler	B02C 18/0092 4/319

* cited by examiner

Primary Examiner — Calvin E Vansant

Assistant Examiner — Eidiol Ghigliotty Torres

(74) *Attorney, Agent, or Firm* — Ying-Ting Chen; Law of Michael Chen

(57) **CLAIM**

The ornamental design for a macerator pump, as shown and described.

DESCRIPTION

FIG. 1 is a perspective view of the macerator pump showing my new design;

FIG. 2 is a perspective view thereof from another angle;

FIG. 3 is a front elevational view thereof;

FIG. 4 is a rear elevational view thereof;

FIG. 5 is a left side elevational view thereof;

FIG. 6 is a right side elevational view thereof;

FIG. 7 is a top plan view thereof;

FIG. 8 is a bottom plan view thereof;

FIG. 9 is an enlarged view of a portion indicated with numeric 9 in FIG. 1;

FIG. 10 is an enlarged view of a portion indicated with numeric 10 in FIG. 1;

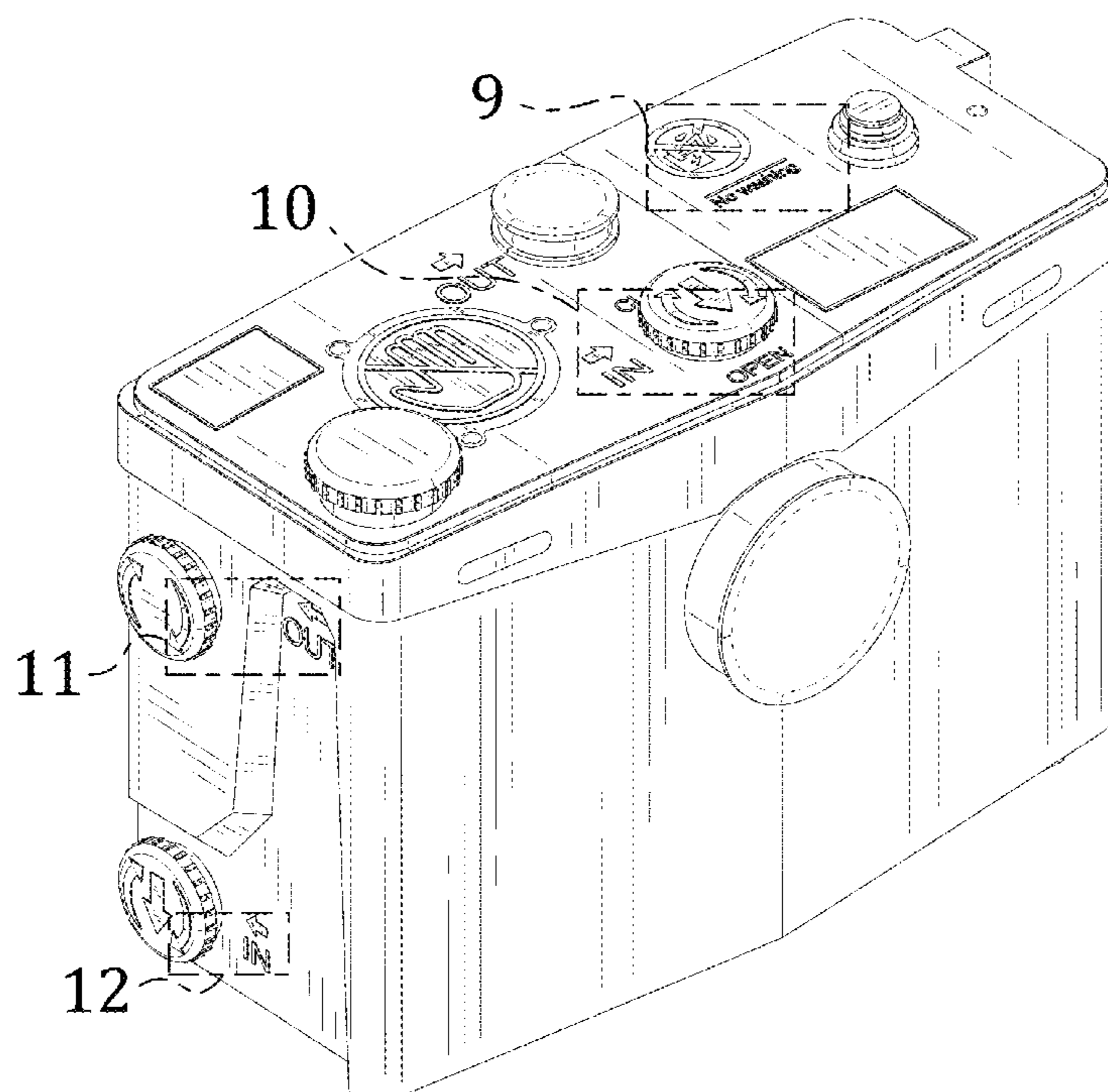
FIG. 11 is an enlarged view of a portion indicated with numeric 11 in FIG. 1;

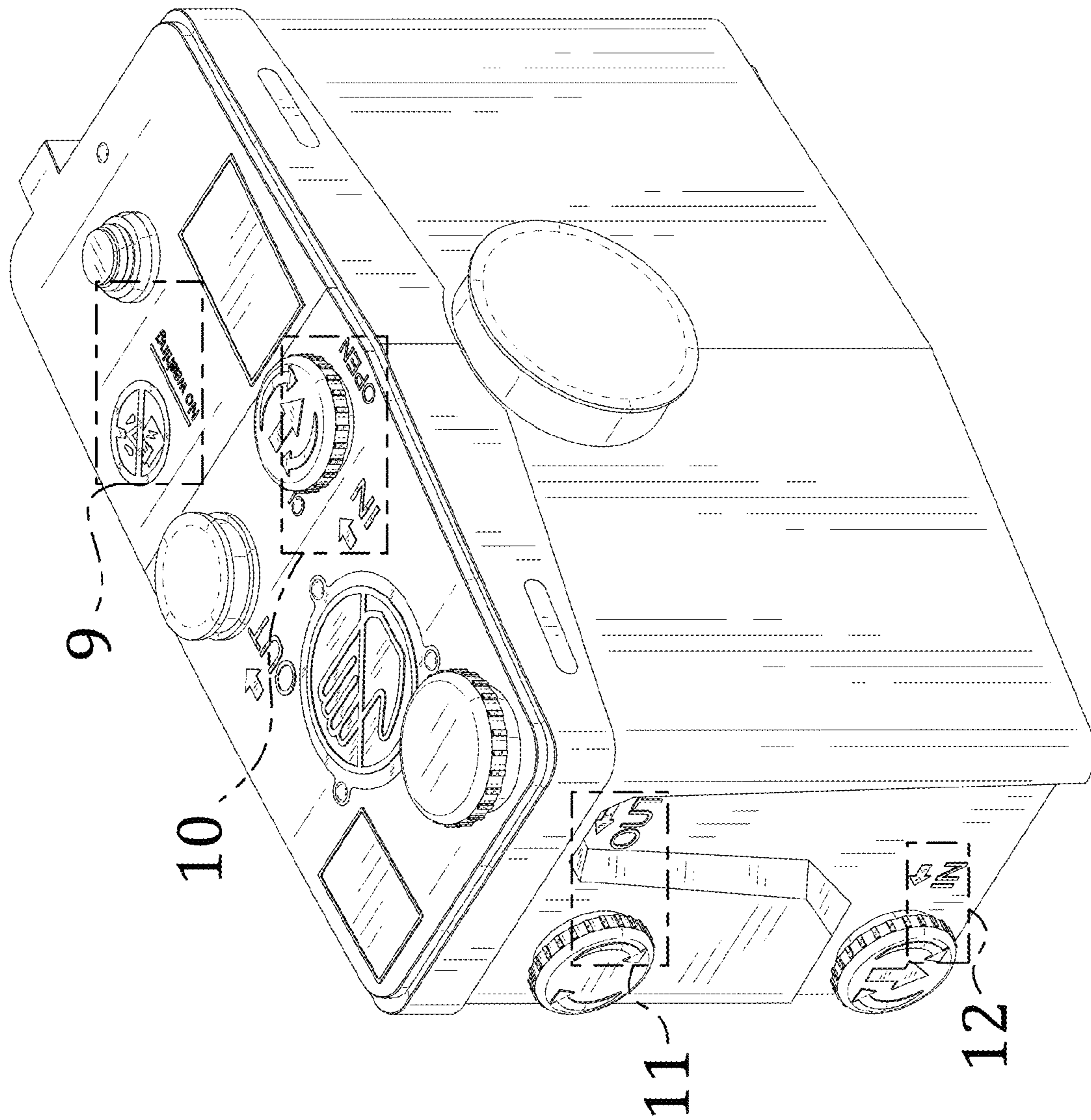
FIG. 12 is an enlarged view of a portion indicated with numeric 12 in FIG. 1; and,

FIG. 13 is an enlarged view of a portion indicated with numeric 13 in FIG. 2.

The broken lines shown in the drawings represent portions of the macerator pump that form no part of the claimed design. The dash-dot lines in FIGS. 1, 2, 9, 10, 11, 12 and 13 represent the boundary of the enlarged portion and form no part of the claimed design.

1 Claim, 13 Drawing Sheets





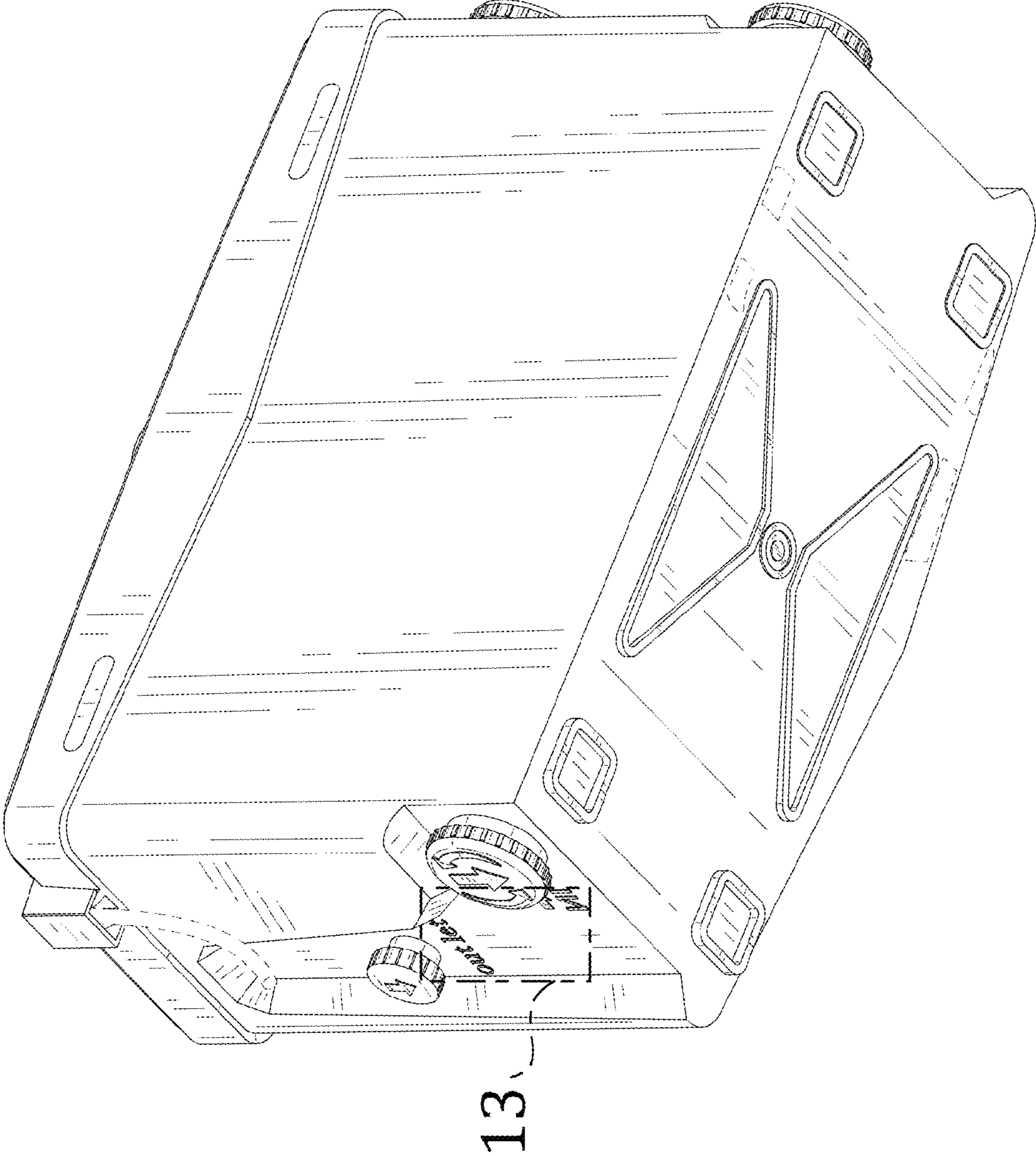


FIG. 2

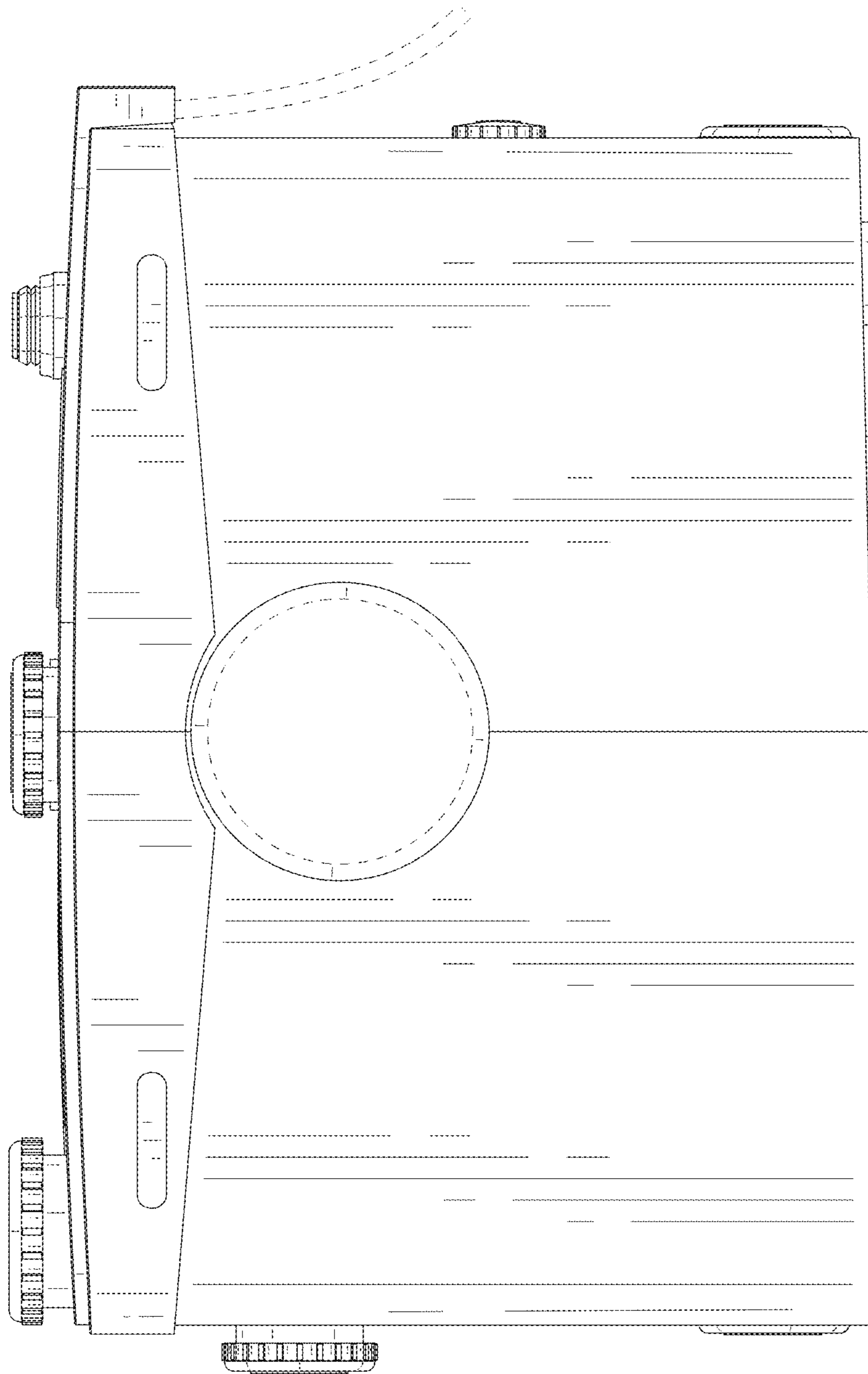


FIG. 3

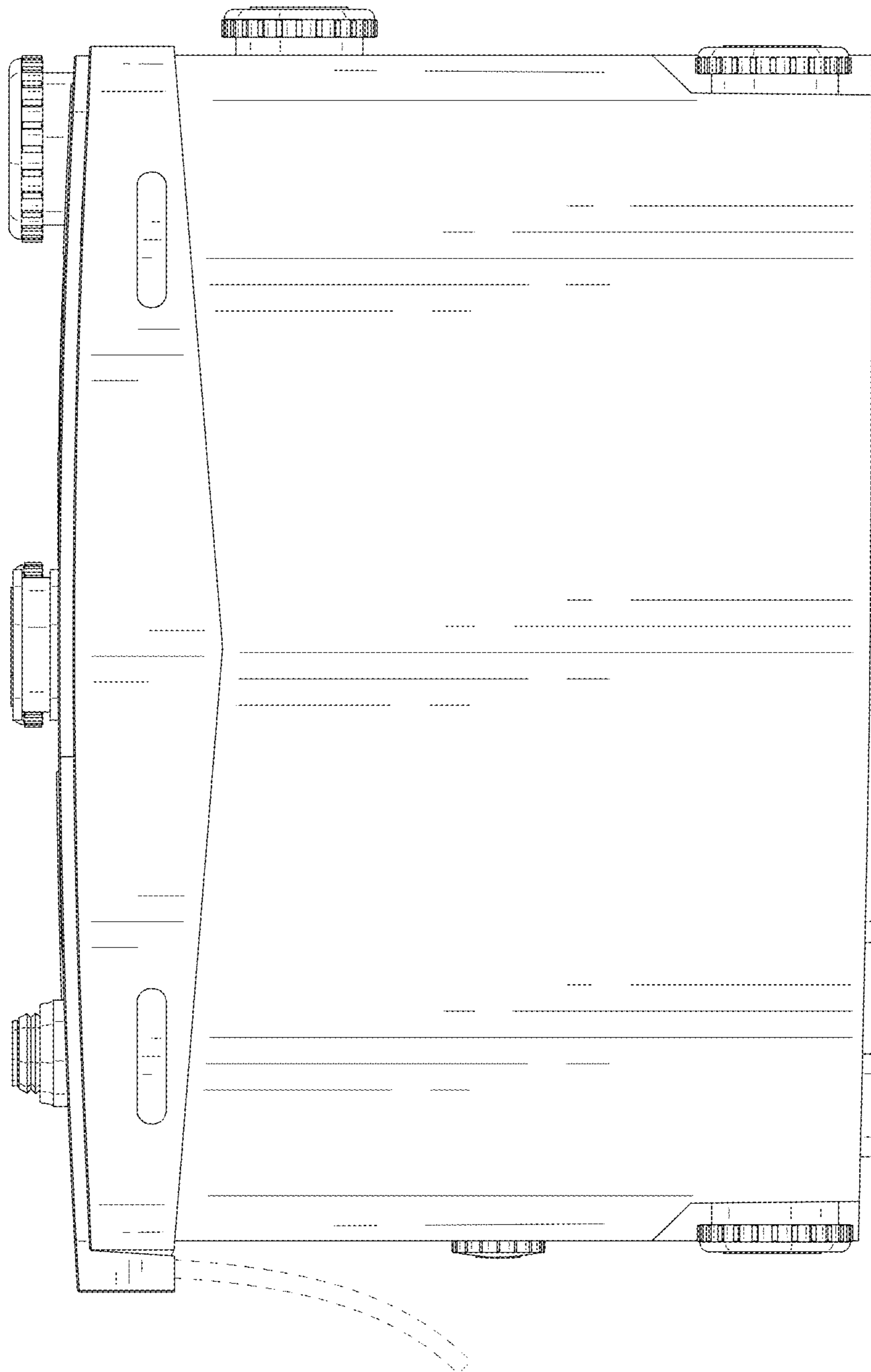


FIG. 4

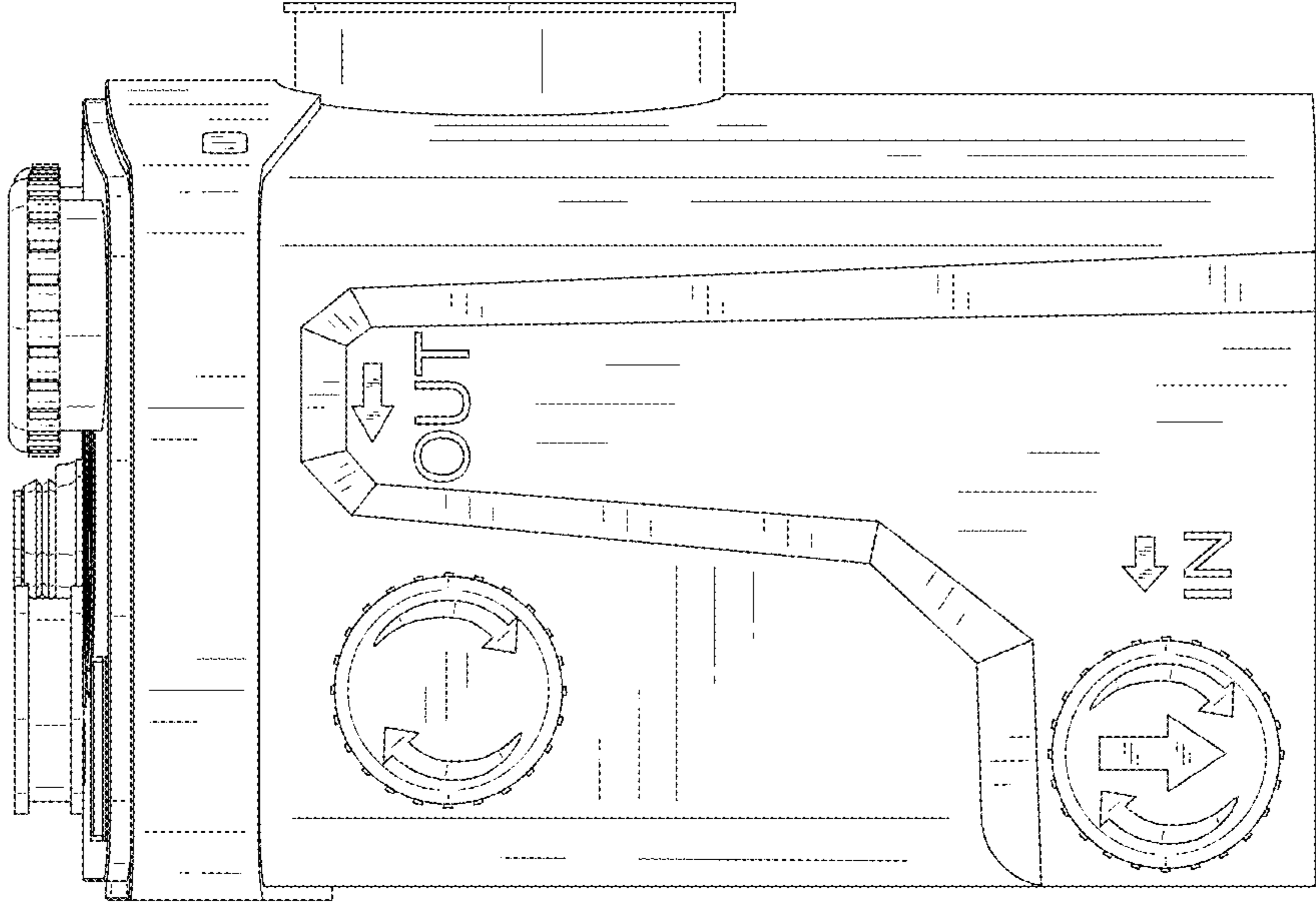


FIG. 5

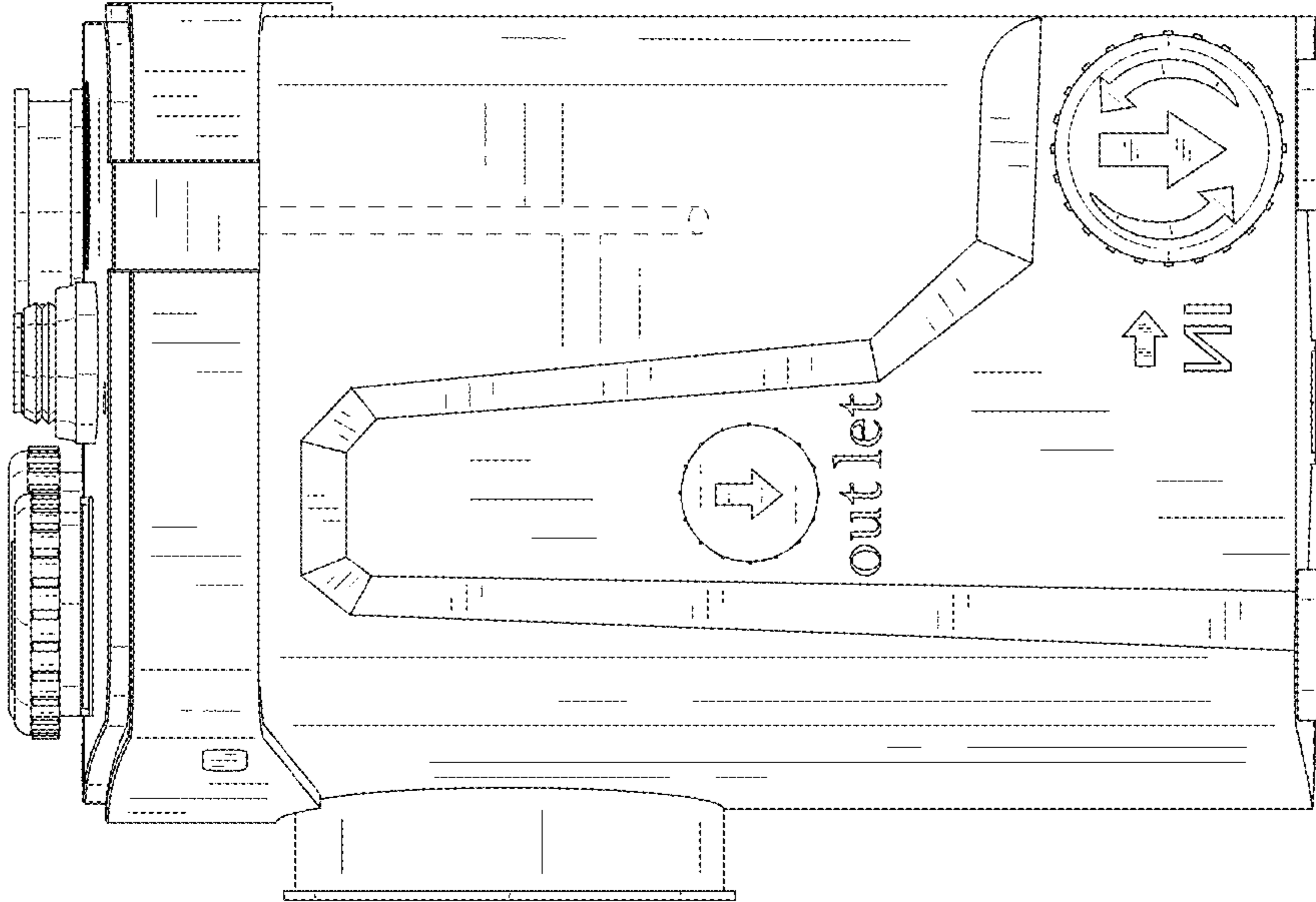


FIG. 6

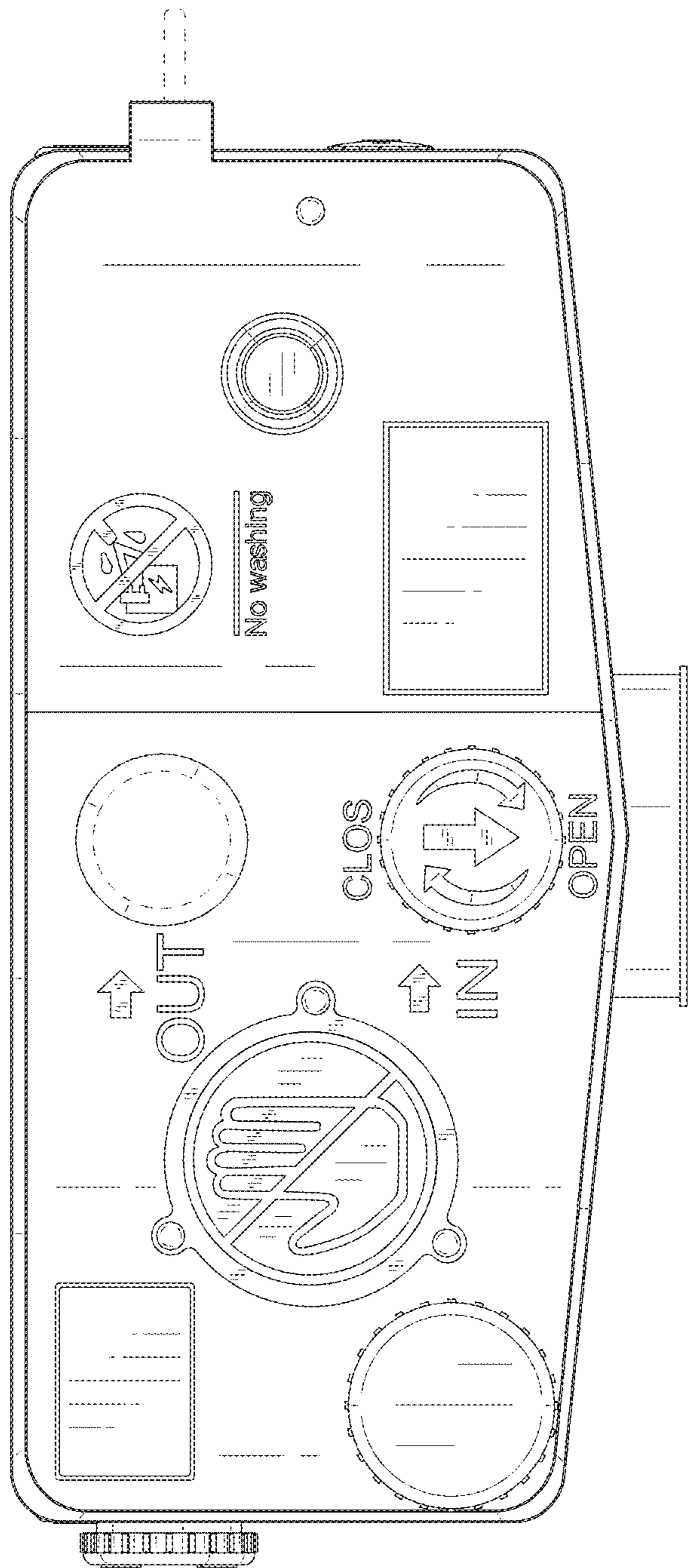


FIG. 7

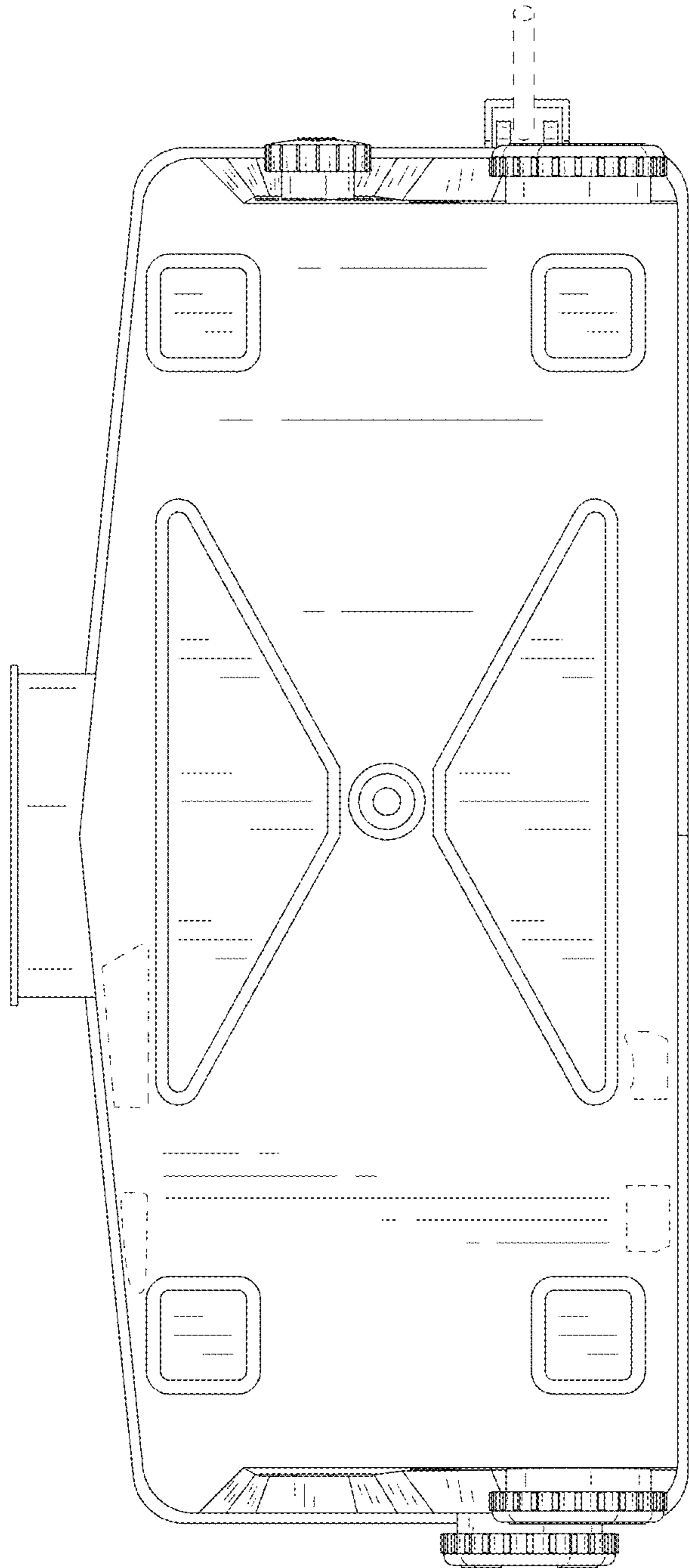


FIG. 8



FIG. 9

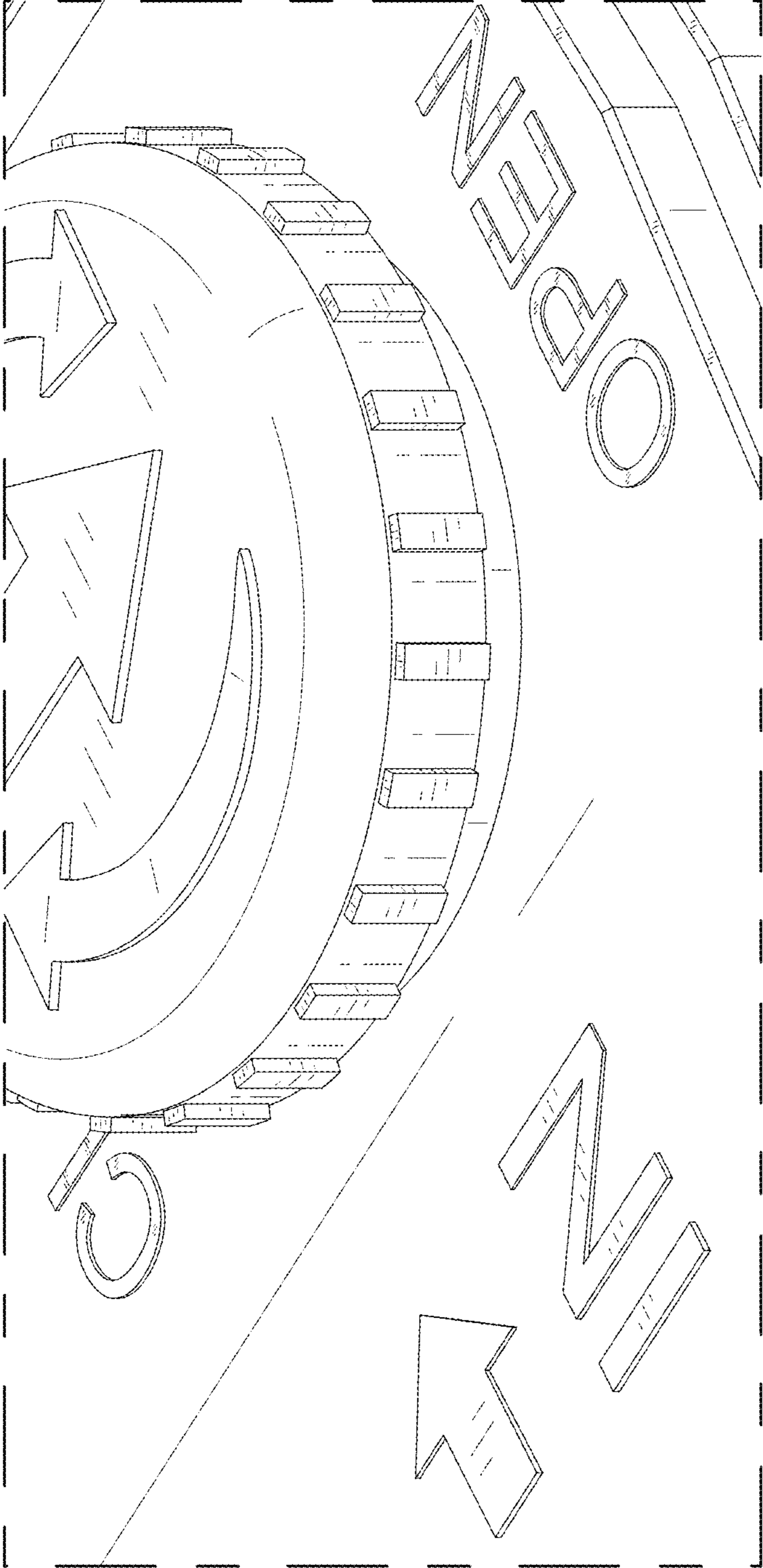


FIG. 10

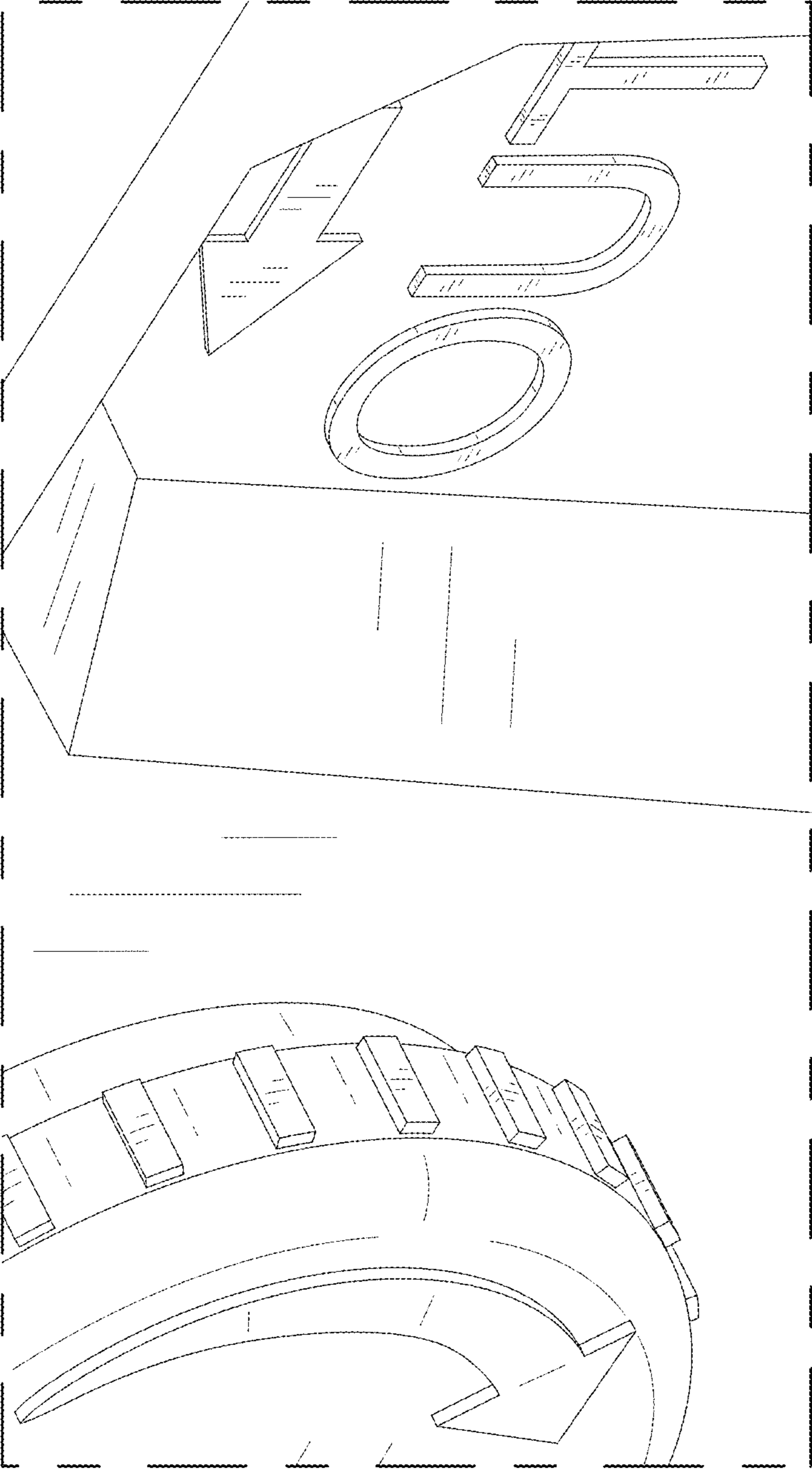


FIG. 11

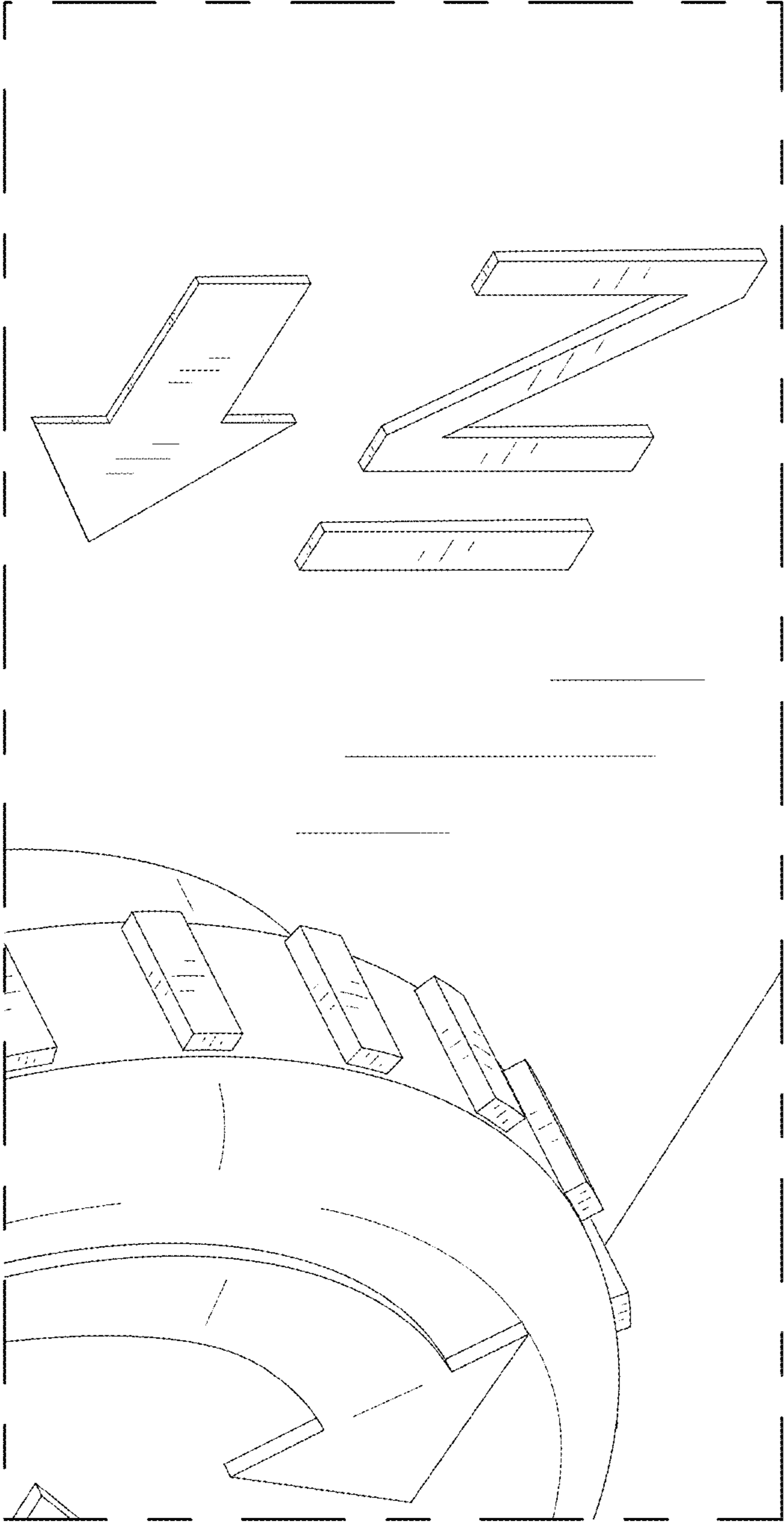


FIG. 12

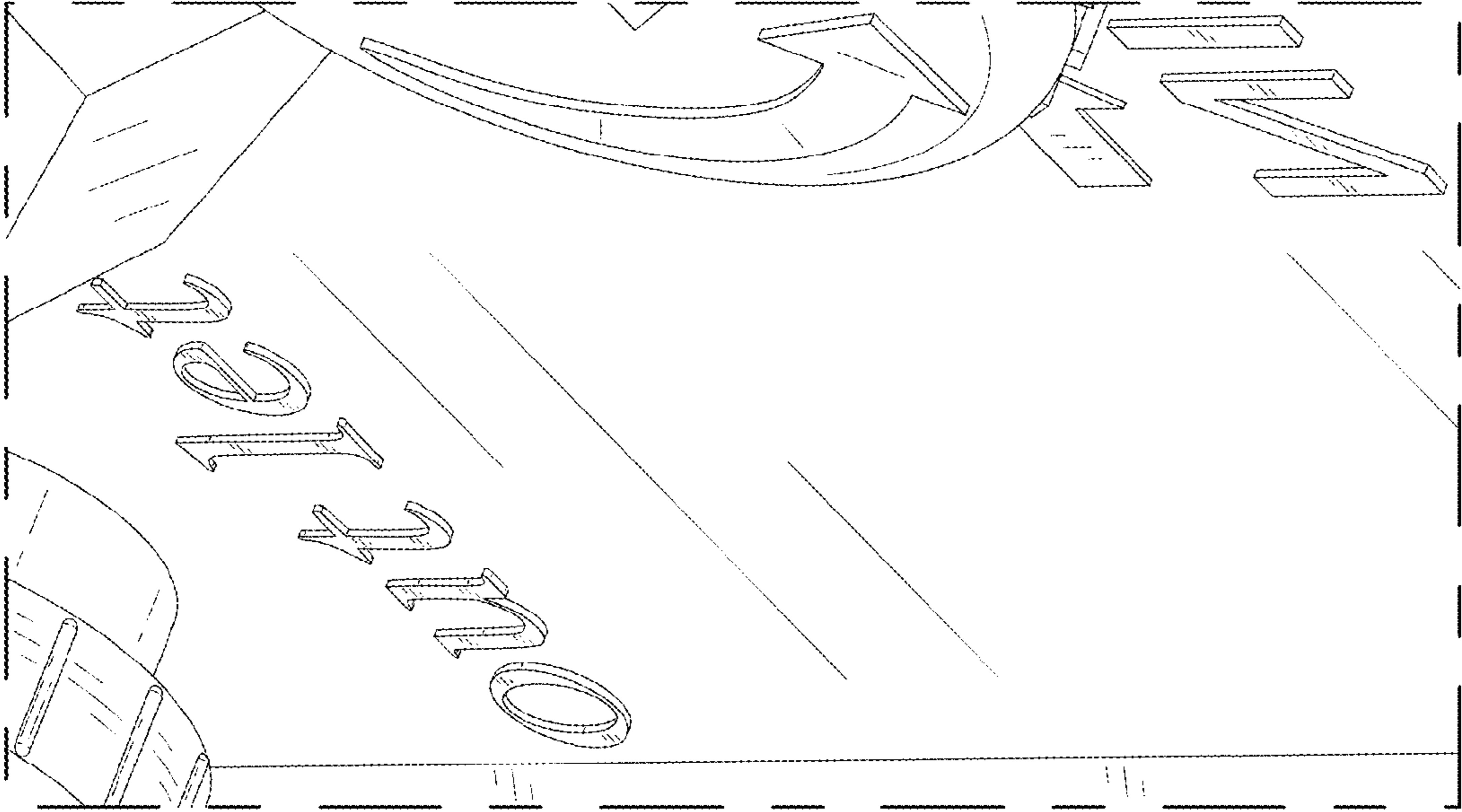


FIG. 13