



US0D1033423S

(12) **United States Design Patent** (10) **Patent No.:** **US D1,033,423 S**
Tzou et al. (45) **Date of Patent:** **** *Jul. 2, 2024**

(54) **FOLDABLE ELECTRONIC DEVICE WITH DUAL DISPLAY SCREENS**

G06F 1/1686; G06F 1/1684; G06F 1/1688; G06F 1/1692; G06F 1/169

See application file for complete search history.

(71) Applicant: **COMPAL ELECTRONICS, INC.**,
Taipei (TW)

(56) **References Cited**

(72) Inventors: **Jyh-Chyang Tzou**, Taipei (TW);
Han-Tsai Liu, Taipei (TW)

U.S. PATENT DOCUMENTS

(73) Assignee: **COMPAL ELECTRONICS, INC.**,
Taipei (TW)

D370,216	S	*	5/1996	Kondo	D14/319
5,847,698	A	*	12/1998	Reavey	G06F 15/0283 361/679.04
D435,550	S	*	12/2000	Chu	D14/345
6,313,828	B1	*	11/2001	Chombo	G06F 15/0283 345/169
6,667,878	B2	*	12/2003	Ponx	G06F 1/1649 361/679.04
6,865,075	B2	*	3/2005	Oakley	G06F 1/1618 345/905
D517,540	S	*	3/2006	Minns	D14/315
D517,545	S	*	3/2006	Buckel	D14/345
D533,524	S	*	12/2006	Ferguson	D14/127
D588,126	S	*	3/2009	Chiang	D14/345
D589,958	S	*	4/2009	Han	D14/373
D592,623	S	*	5/2009	Ferguson	D14/127
D618,683	S	*	6/2010	Wilson	D14/371
D638,833	S	*	5/2011	Chuang	D14/315
D639,802	S	*	6/2011	Brooks	D14/315
D640,253	S	*	6/2011	Sung	D14/315
8,150,483	B2	*	4/2012	Shi	H04M 1/0247 D14/138 G
D693,323	S	*	11/2013	Kawase	D14/345
D694,754	S	*	12/2013	Nakada	D14/373
D708,610	S	*	7/2014	Ahn	D14/345
D709,492	S	*	7/2014	Ahn	D14/345
D717,791	S	*	11/2014	Yun	D14/316
D719,541	S	*	12/2014	Lee	D14/345
D742,873	S	*	11/2015	Ahn	D14/341
D746,285	S	*	12/2015	Okabe	D14/345
D772,862	S	*	11/2016	Kwong	D14/316
9,483,080	B2	*	11/2016	Kwong	G06F 1/1643
D778,866	S	*	2/2017	Lee	D14/345
9,619,726	B2	*	4/2017	Inaba	G06F 1/1616
D808,949	S	*	1/2018	Zuniga	D14/371
D822,658	S	*	7/2018	Okuley	D14/345
D826,925	S	*	8/2018	Lee	G06F 1/1616 D14/315
D847,810	S	*	5/2019	Okuley	D14/345
D872,073	S	*	1/2020	Cha	D14/327
D885,379	S	*	5/2020	Wang	D14/327
D888,711	S	*	6/2020	Okuley	D14/345
D891,426	S	*	7/2020	Nguyen	D14/345
D913,280	S	*	3/2021	Cai	D14/315

(*) Notice: This patent is subject to a terminal disclaimer.

(**) Term: **15 Years**

(21) Appl. No.: **29/737,382**

(22) Filed: **Jun. 9, 2020**

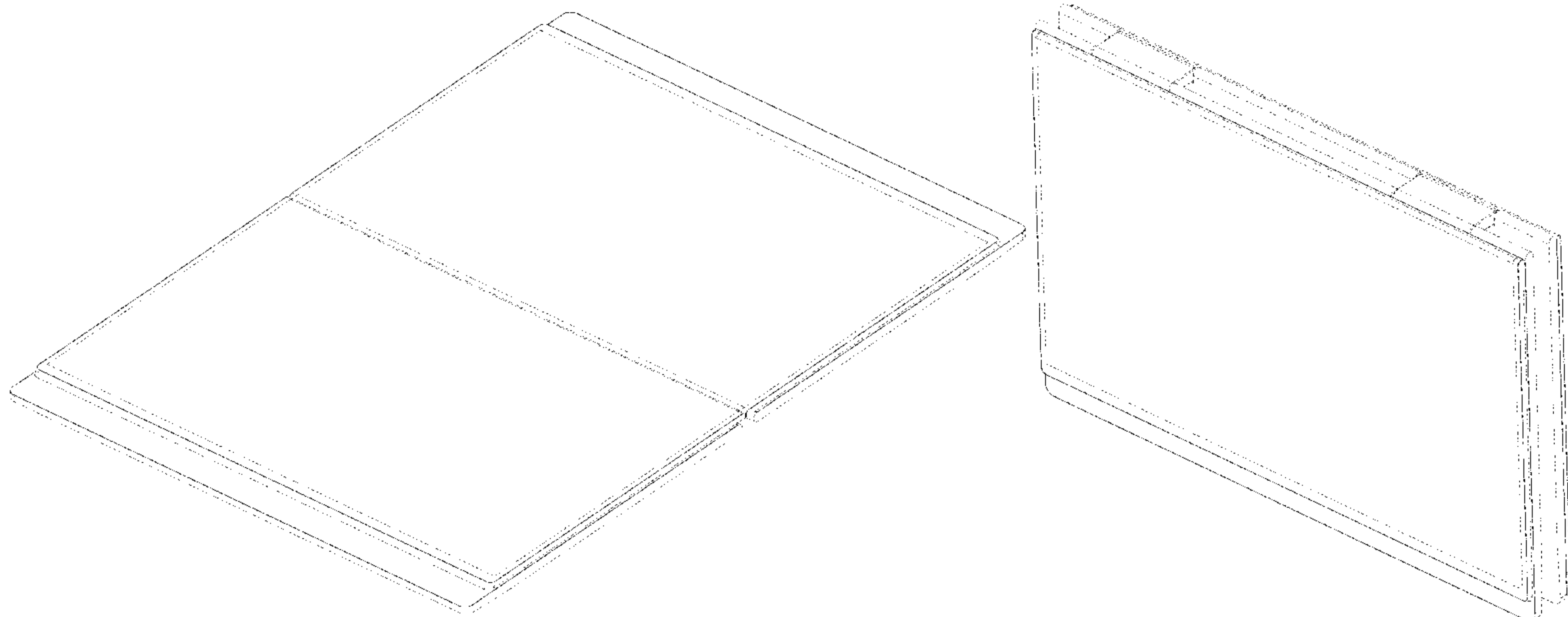
(30) **Foreign Application Priority Data**

May 6, 2020 (TW) 109302412

(51) **LOC (14) Cl.** **14-02**

(52) **U.S. Cl.**
USPC **D14/315**

(58) **Field of Classification Search**
USPC D14/315-327, 127, 132, 138 AB,
D14/138 AC, 138 G, 373, 336, 389, 345
CPC G06F 1/16; G06F 1/1601; G06F 1/1605;
G06F 1/1607; G06F 1/1609; G06F
1/1613; G06F 1/1615; G06F 1/1616;
G06F 1/1618; G06F 1/162; G06F 1/1622;
G06F 1/1624; G06F 1/1633; G06F
1/1637; G06F 1/1641; G06F 1/1643;
G06F 1/1647; G06F 1/1649; G06F 1/165;
G06F 1/1652; G06F 1/1654; G06F 1/166;
G06F 1/1656; G06F 1/1662; G06F
1/1664; G06F 1/1667; G06F 1/1669;
G06F 1/1675; G06F 1/1677; G06F
1/1679; G06F 1/1681; G06F 1/1683;



D915,394	S	*	4/2021	Lin	D14/327
D915,395	S	*	4/2021	Wang	D14/327
10,983,570	B1	*	4/2021	Files	G06F 3/04886
10,989,978	B1	*	4/2021	Tsen	G06F 3/04886
10,990,204	B1	*	4/2021	Trim	G06F 1/1669
11,009,921	B1	*	5/2021	Bharadwaj	G09F 9/301
D920,969	S	*	6/2021	Tzou	D14/315
D922,345	S	*	6/2021	Bae	D14/345
D923,011	S	*	6/2021	Cheng	D14/440
D926,751	S	*	8/2021	Collins	D14/320
D928,788	S	*	8/2021	Kang	D14/440
D949,845	S	*	4/2022	Wu	D14/316
D962,221	S	*	8/2022	Leung	D14/315
D962,222	S	*	8/2022	Leung	D14/315
D962,223	S	*	8/2022	Leung	D14/316
D962,921	S	*	9/2022	Leung	D14/315
11,442,506	B1	*	9/2022	Hsu	G06F 1/1654
D973,657	S	*	12/2022	Chai	D14/341
D983,195	S	*	4/2023	Amade	D14/322
2006/0198087	A1	*	9/2006	Anderson	G06F 1/1609 361/679.58
2008/0024388	A1	*	1/2008	Bruce	G06F 1/1616 345/1.1
2010/0041439	A1	*	2/2010	Bullister	G06F 1/165 455/566
2010/0067181	A1	*	3/2010	Bair	G06F 1/1616 348/744
2010/0232095	A1	*	9/2010	Chen	G06F 1/1652 361/679.01
2010/0232102	A1	*	9/2010	Walker	G06F 1/1616 361/679.27
2010/0310303	A1	*	12/2010	Leung	B42F 13/40 402/4
2011/0002096	A1	*	1/2011	Thorson	G06F 1/1692 361/679.04
2011/0279992	A1	*	11/2011	Wakimoto	G06F 1/266 361/807
2013/0342090	A1	*	12/2013	Ahn	G06F 1/1616 312/258
2019/0072999	A1	*	3/2019	Escamilla	G06F 1/1641
2020/0033911	A1	*	1/2020	Moser	G06F 1/162
2020/0057471	A1	*	2/2020	Nam	G06F 1/1641
2020/0128687	A1	*	4/2020	Ku	G06F 1/1681
2020/0233537	A1	*	7/2020	Hong	G06F 1/1694
2020/0233538	A1	*	7/2020	Aurongzeb	G06F 1/166
2020/0257334	A1	*	8/2020	Han	G06F 3/041
2020/0341515	A1	*	10/2020	Moser	G06F 1/1692
2021/0089083	A1	*	3/2021	Tzou	G06F 1/1624
2022/0110218	A1	*	4/2022	Bustamante	H05K 5/0247
2022/0137672	A1	*	5/2022	Perelli	G06F 1/1643 361/679.28
2022/0206527	A1	*	6/2022	Perelli	G06F 1/1626
2022/0282828	A1	*	9/2022	Ng	F16M 11/045
2023/0022114	A1	*	1/2023	Eisenberg	G06F 1/1647
2023/0134745	A1	*	5/2023	Moon	G06F 1/1681 361/679.27
2023/0195176	A1	*	6/2023	Perelli	G06F 1/1626 361/679.01

OTHER PUBLICATIONS

Horsey, Julian, Compal Duo360 and Duo360X dual screen laptops, posted at Geeky Gadgets, posting date Feb. 7, 2020. Site visited Aug. 3, 2023 URL: <<https://www.geeky-gadgets.com/dual-screen-laptops-07-02-2020/>> (Year: 2020).*

Warren, Tom, Laptops are getting weird and wonderful again, posted at The Verge, posting date May 29, 2019. Site visited Aug. 3, 2023. URL: <<https://www.theverge.com/2019/5/29/18643825/laptops-dual-screen-foldable-windows-computex-2019>> (Year: 2019).*

Surur, Toshiba to produce a dual screen Windows CE tablet, posted at MSPoweruser, posting date Apr. 19, 2010. Site visited Aug. 3,

2023. URL: <<https://mspoweruser.com/toshiba-to-produce-a-dual-screen-windows-ce-tablet/>> (Year: 2010).*

* cited by examiner

Primary Examiner — Leanne Was-Englehart
(74) Attorney, Agent, or Firm — JCIPRNET

(57) CLAIM

The ornamental design for a foldable electronic device with dual display screens, as shown and described.

DESCRIPTION

FIG. 1 is a perspective view of a foldable electronic device with dual display screens showing our new design;
FIG. 2 is a front view thereof;
FIG. 3 is a rear view thereof;
FIG. 4 is a left side view thereof;
FIG. 5 is a right side view thereof;
FIG. 6 is a top view thereof;
FIG. 7 is a bottom view thereof;
FIG. 8 is an enlarged view of the indication portion, labeled “8”, in FIG. 6;
FIG. 9 is a perspective view thereof with the dual display screens closed to zero degree;
FIG. 10 is another perspective view thereof with the dual display screens closed to zero degree;
FIG. 11 is a front view thereof with the dual display screens closed to zero degree;
FIG. 12 is a rear view thereof with the dual display screens closed to zero degree;
FIG. 13 is a left side view thereof with the dual display screens closed to zero degree;
FIG. 14 is a right side view thereof with the dual display screens closed to zero degree;
FIG. 15 is a top view thereof with the dual display screens closed to zero degree;
FIG. 16 is a bottom view thereof with the dual display screens closed to zero degree;
FIG. 17 is a perspective view thereof with the dual display screens opened to 360 degrees;
FIG. 18 is another perspective view thereof with the dual display screens opened to 360 degrees;
FIG. 19 is a front view thereof with the dual display screens opened to 360 degrees;
FIG. 20 is a rear view thereof with the dual display screens opened to 360 degrees;
FIG. 21 is a left side view thereof with the dual display screens opened to 360 degrees;
FIG. 22 is a right side view thereof with the dual display screens opened to 360 degrees;
FIG. 23 is a top view thereof with the dual display screens opened to 360 degrees; and,
FIG. 24 is a bottom view thereof with the dual display screens opened to 360 degrees.
The evenly-spaced broken lines illustrate portions of the foldable electronic device with dual display screens that form no part of the claimed design; the unevenly-spaced broken lines delineate areas of the figures shown enlarged and form no part of the claimed design.

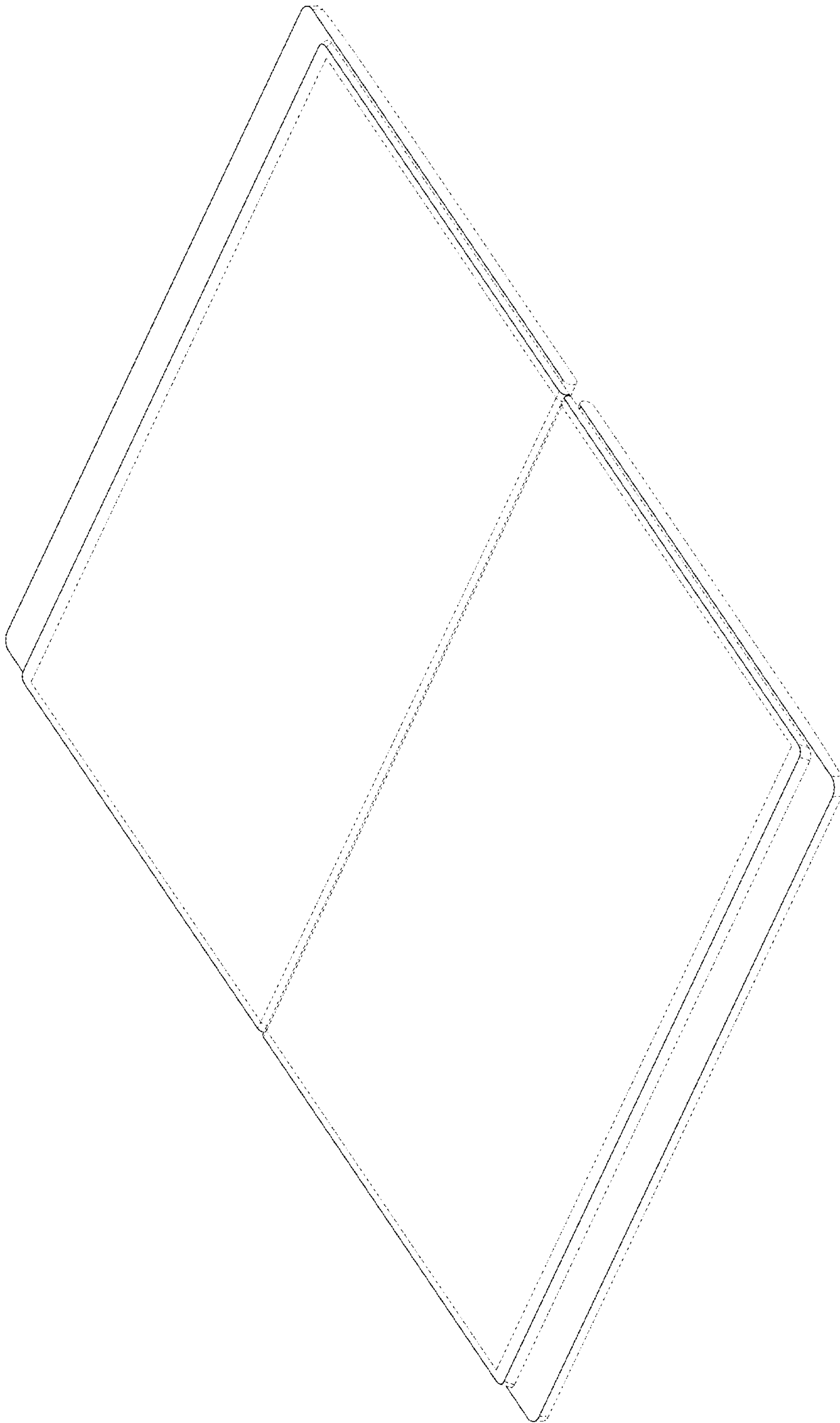


FIG. 1

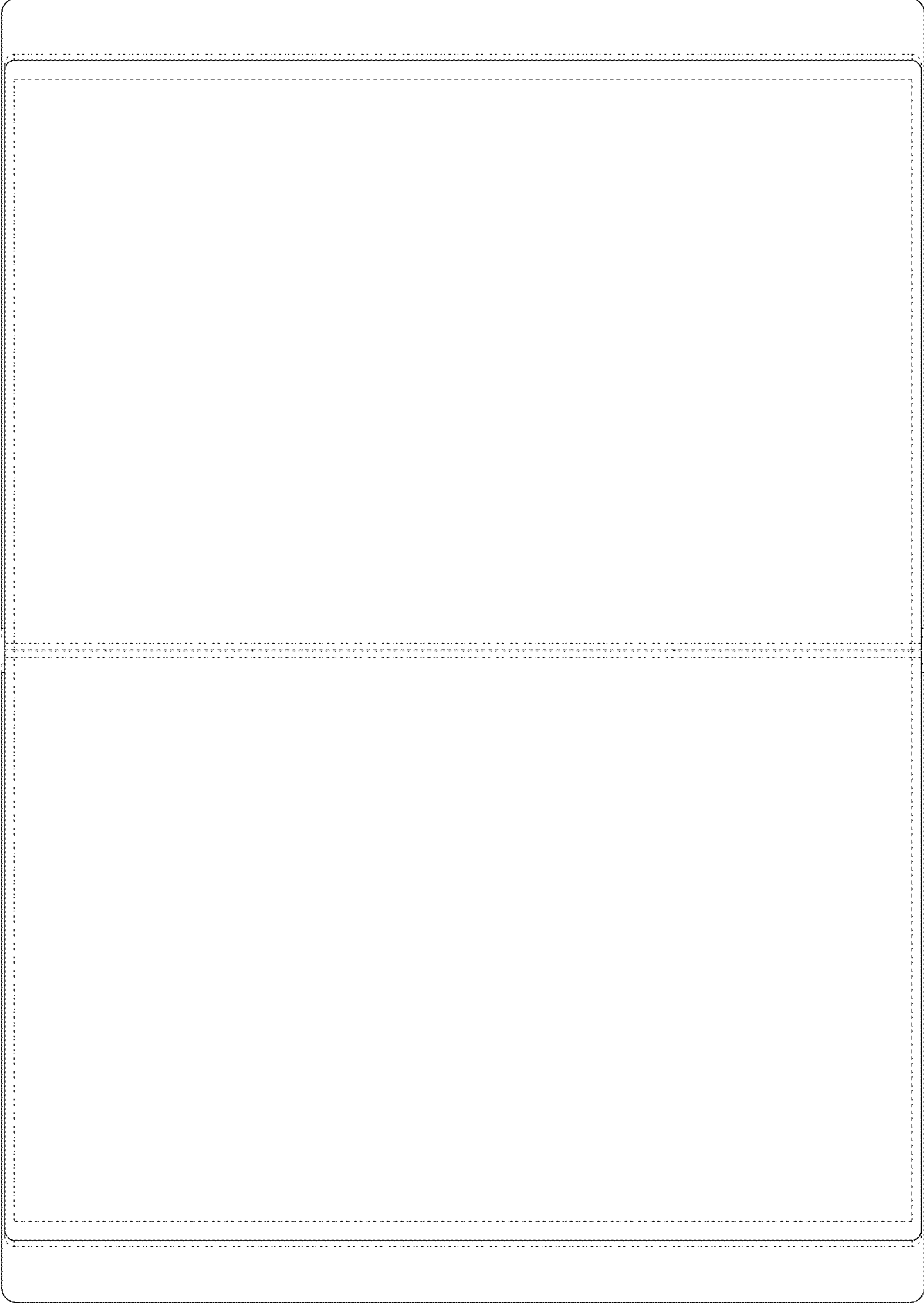


FIG. 2

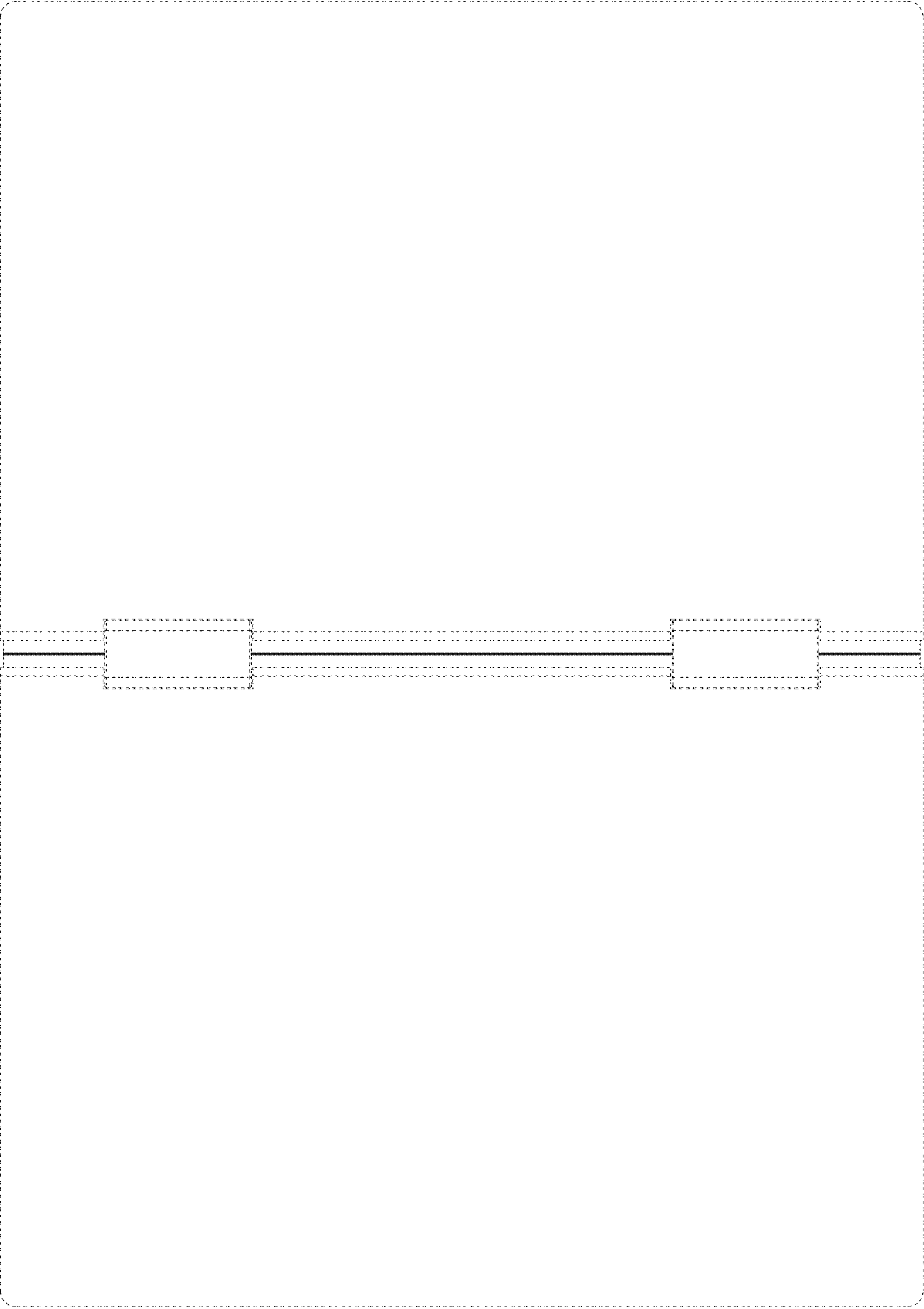


FIG. 3

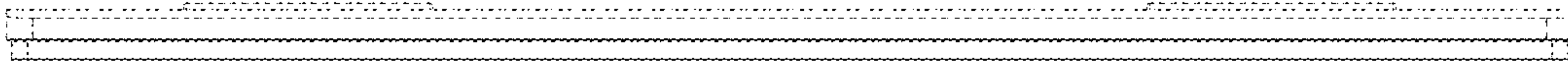


FIG. 5

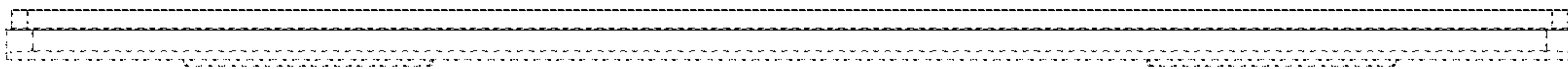


FIG. 4

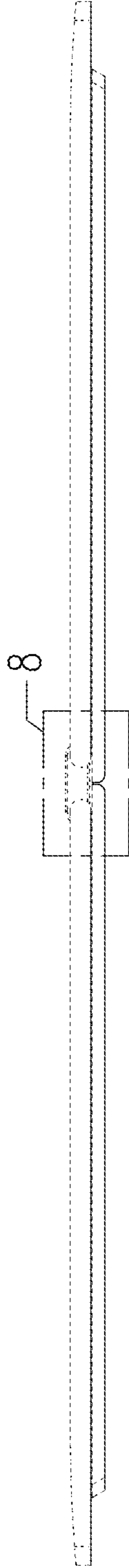


FIG. 6



FIG. 7

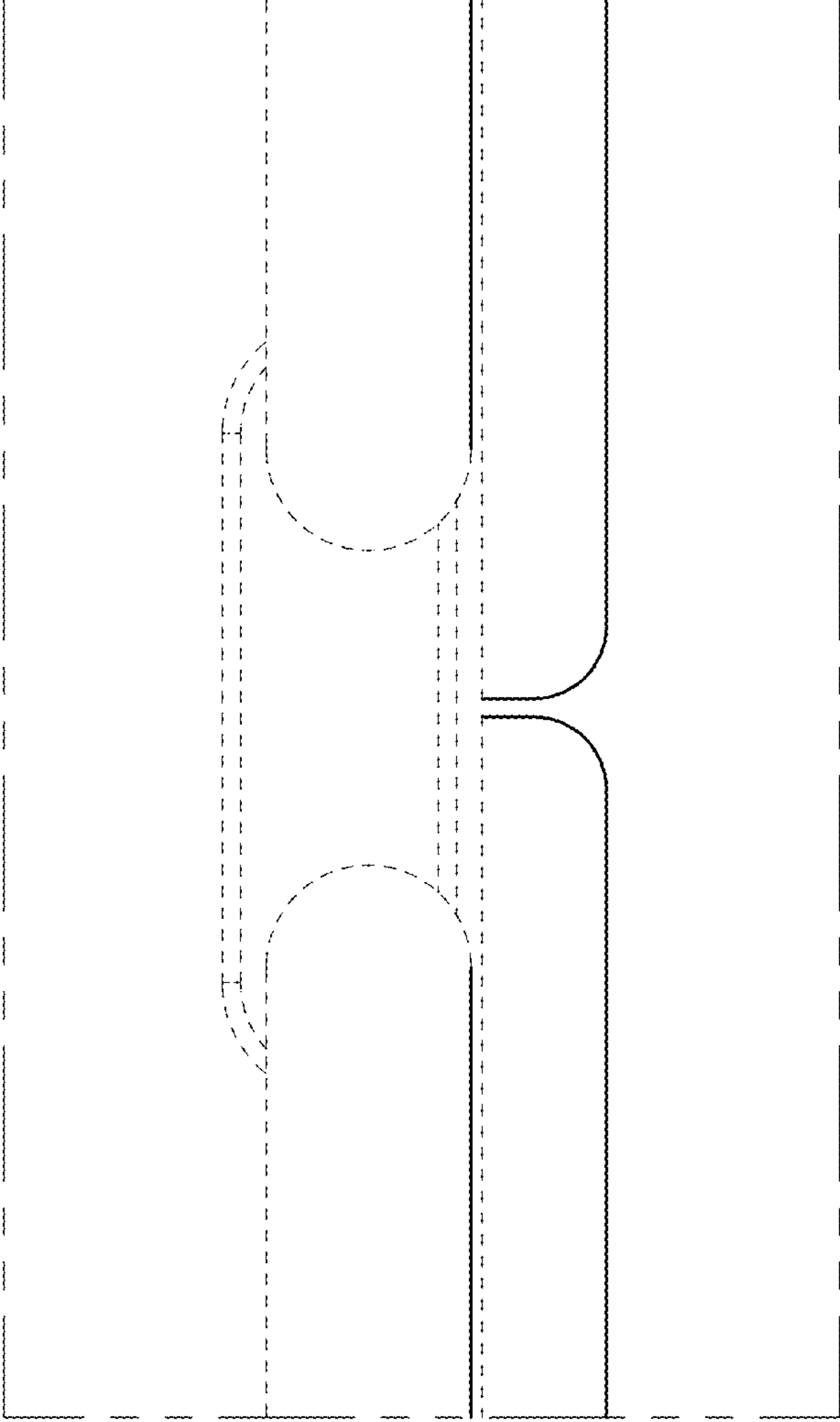


FIG. 8

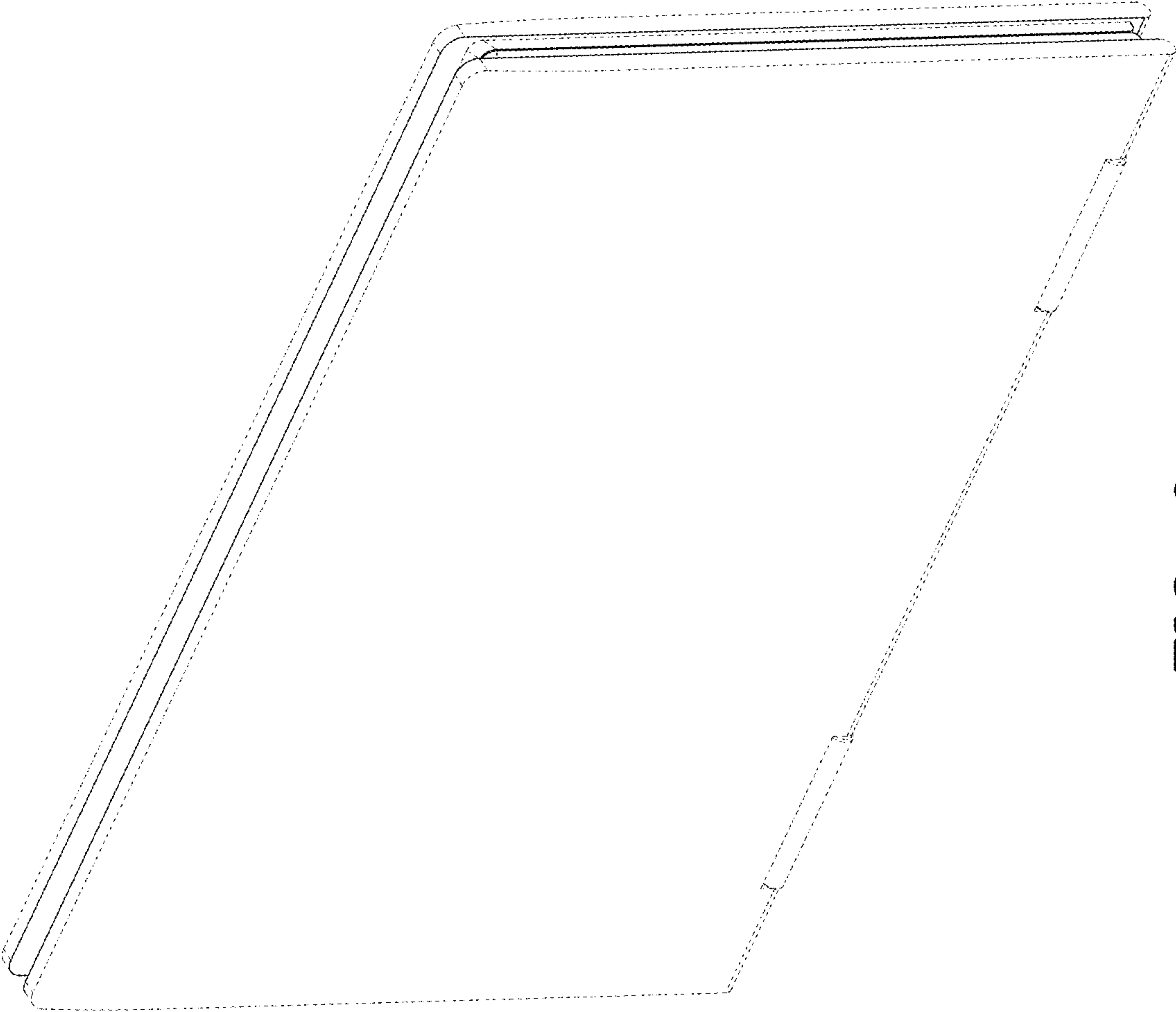


FIG. 9

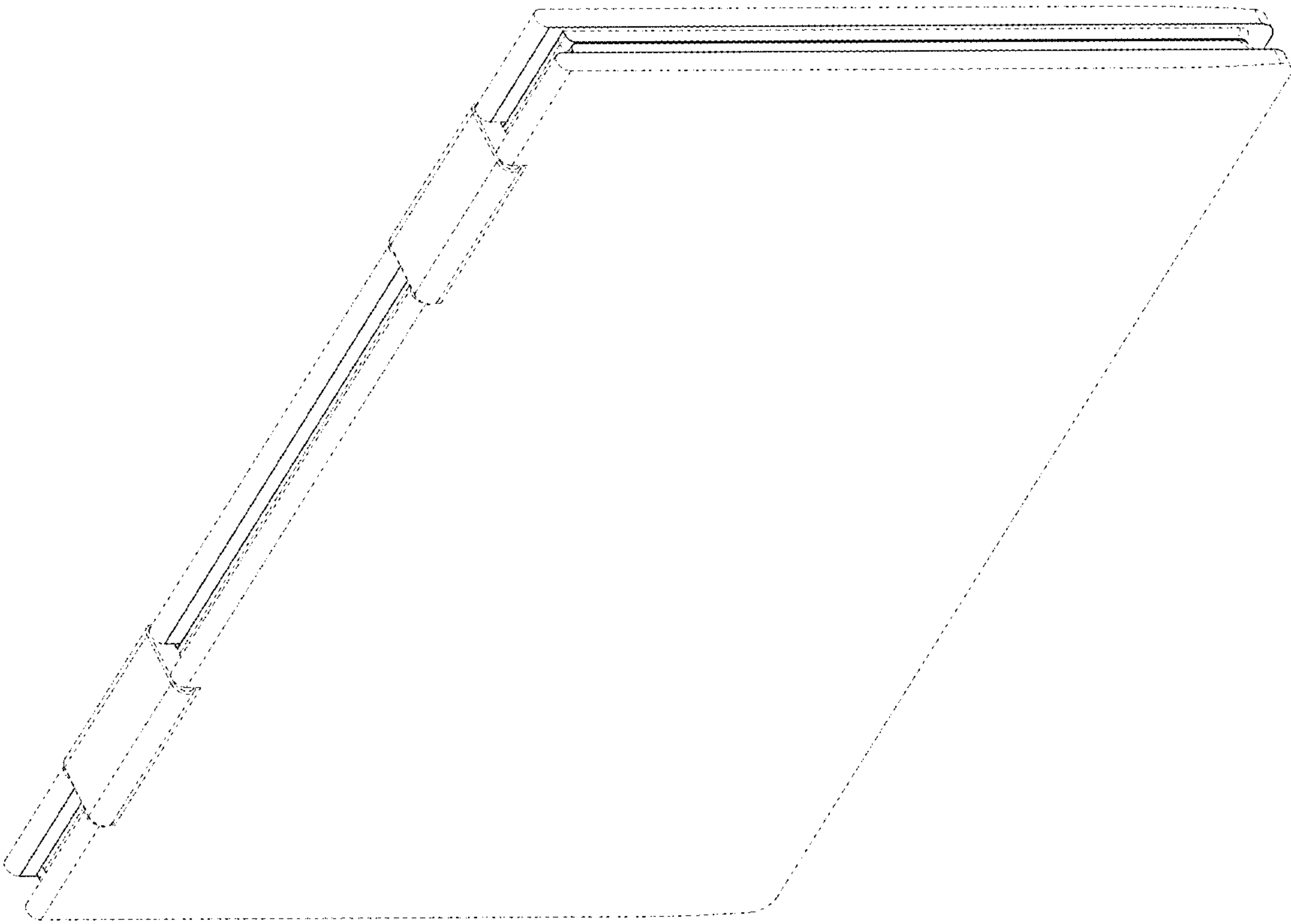


FIG. 10

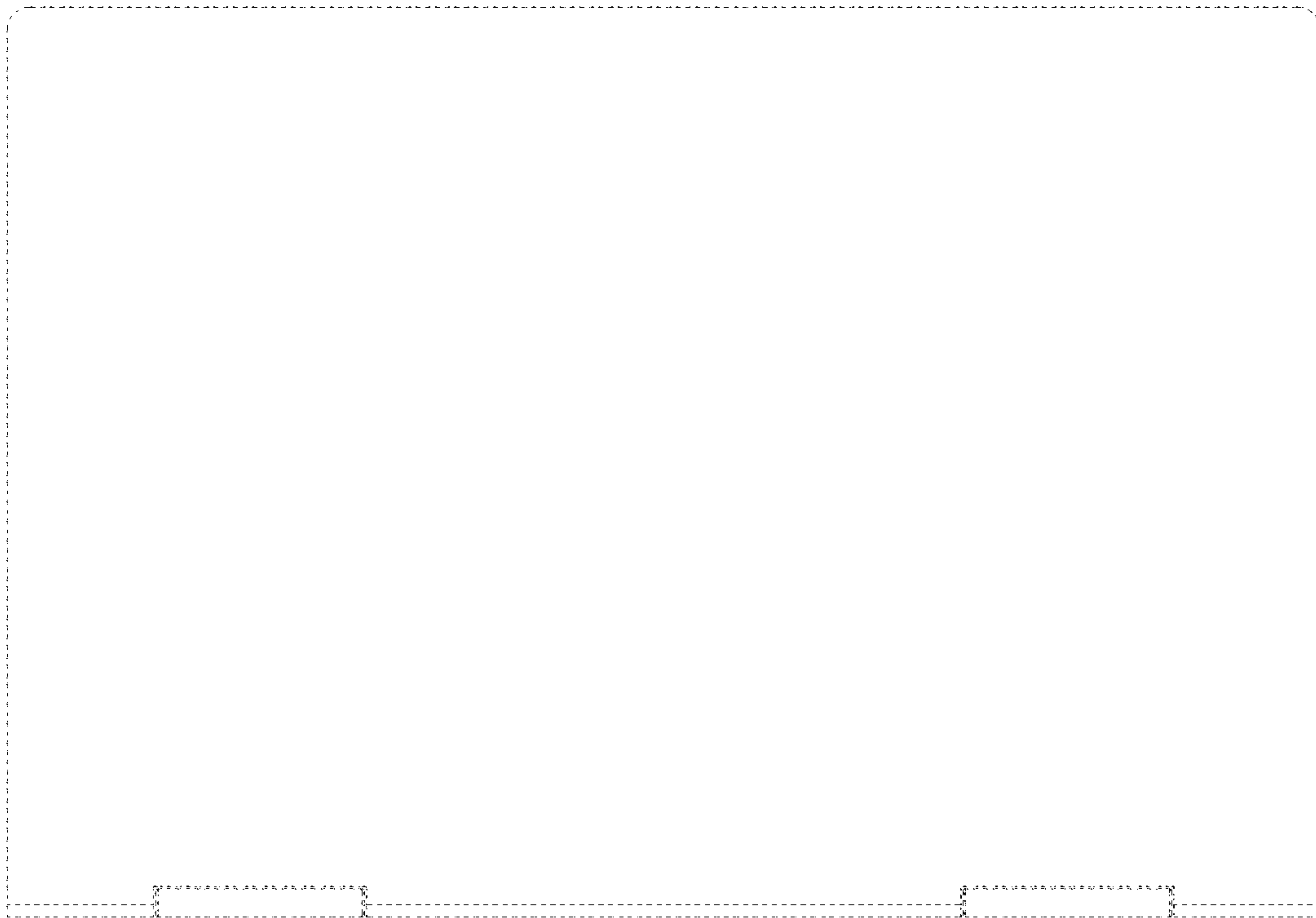


FIG. 11

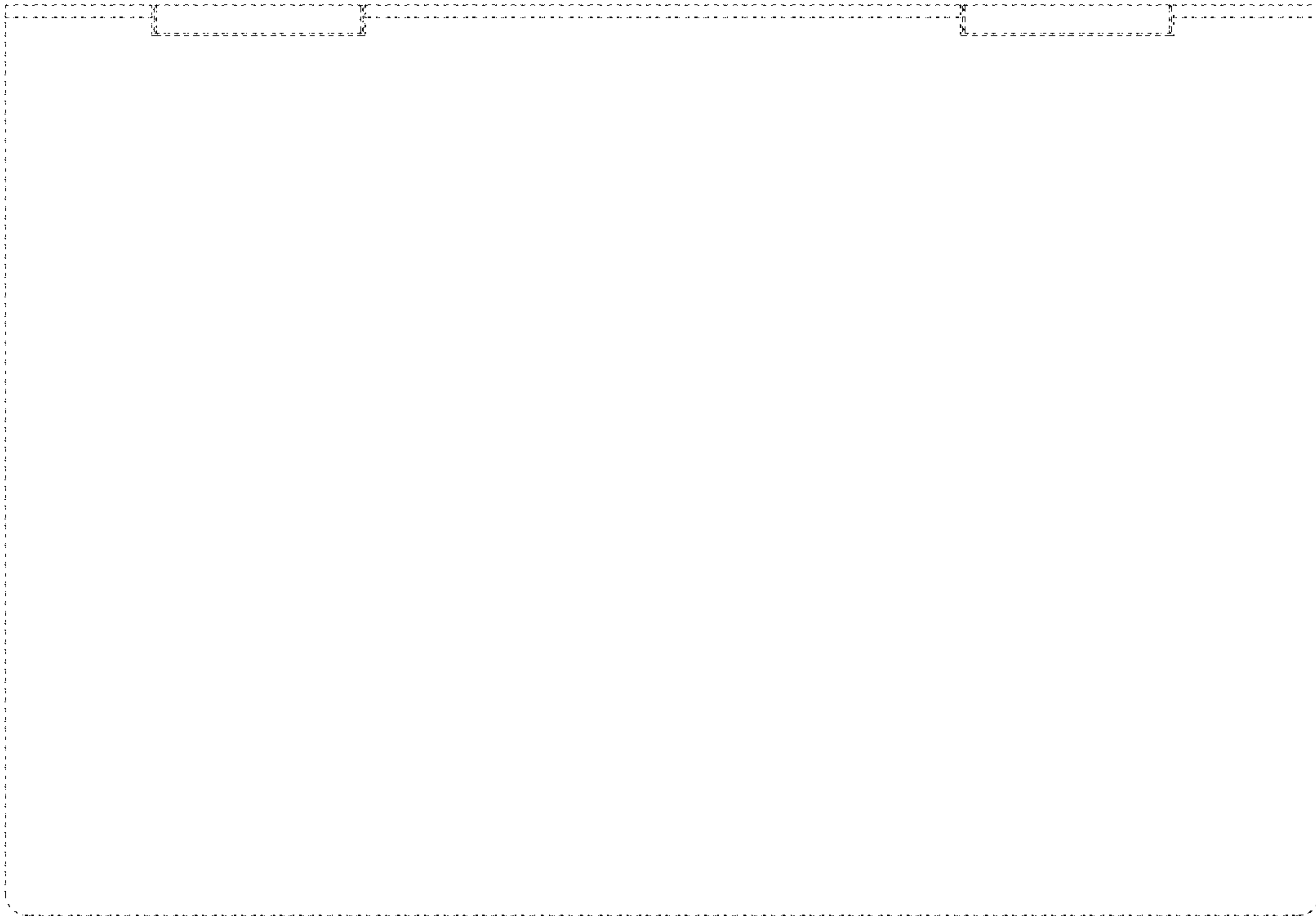


FIG. 12

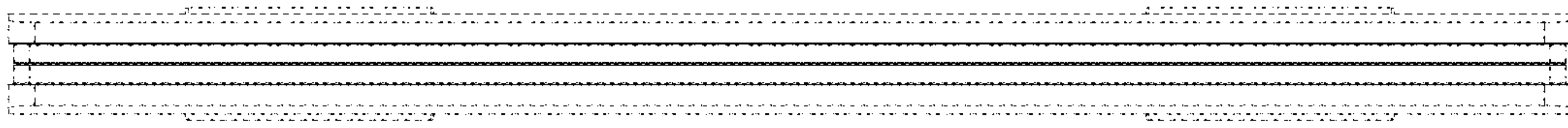


FIG. 14

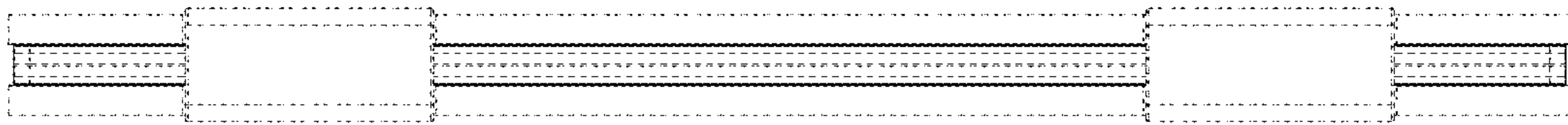


FIG. 13

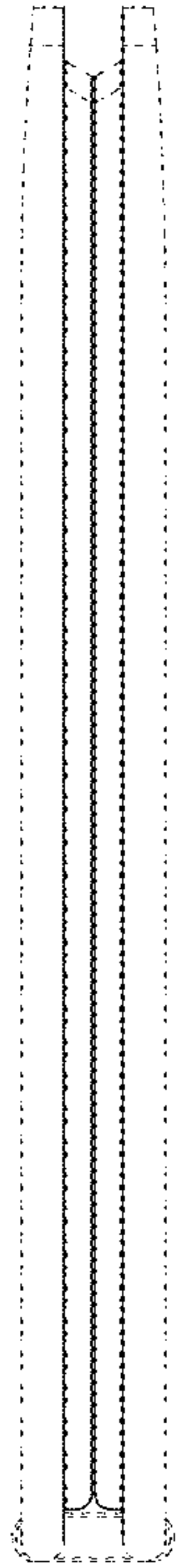


FIG. 15

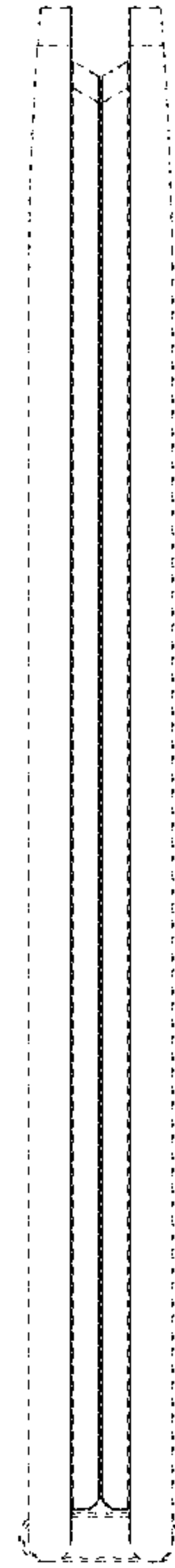


FIG. 16

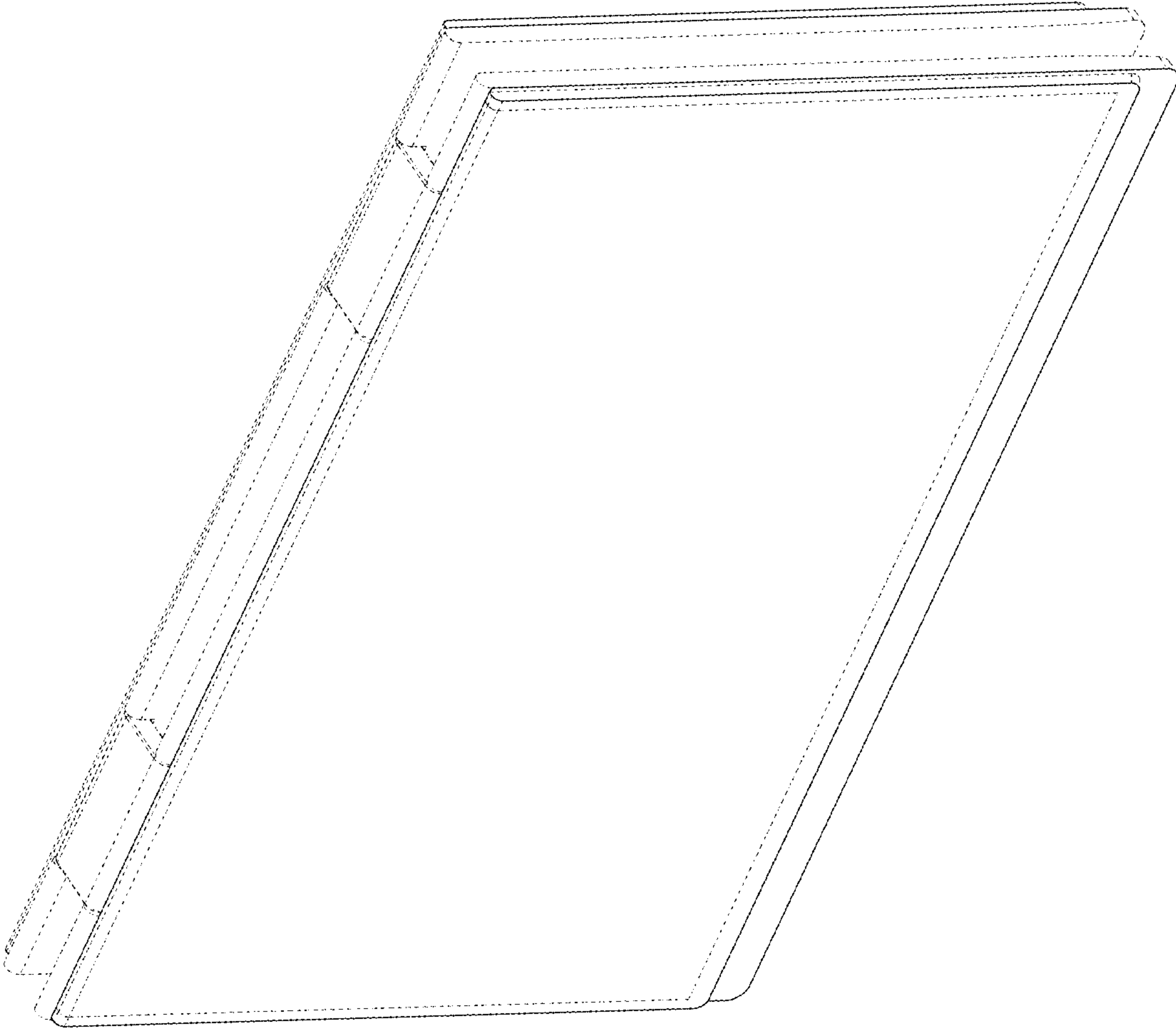


FIG. 17

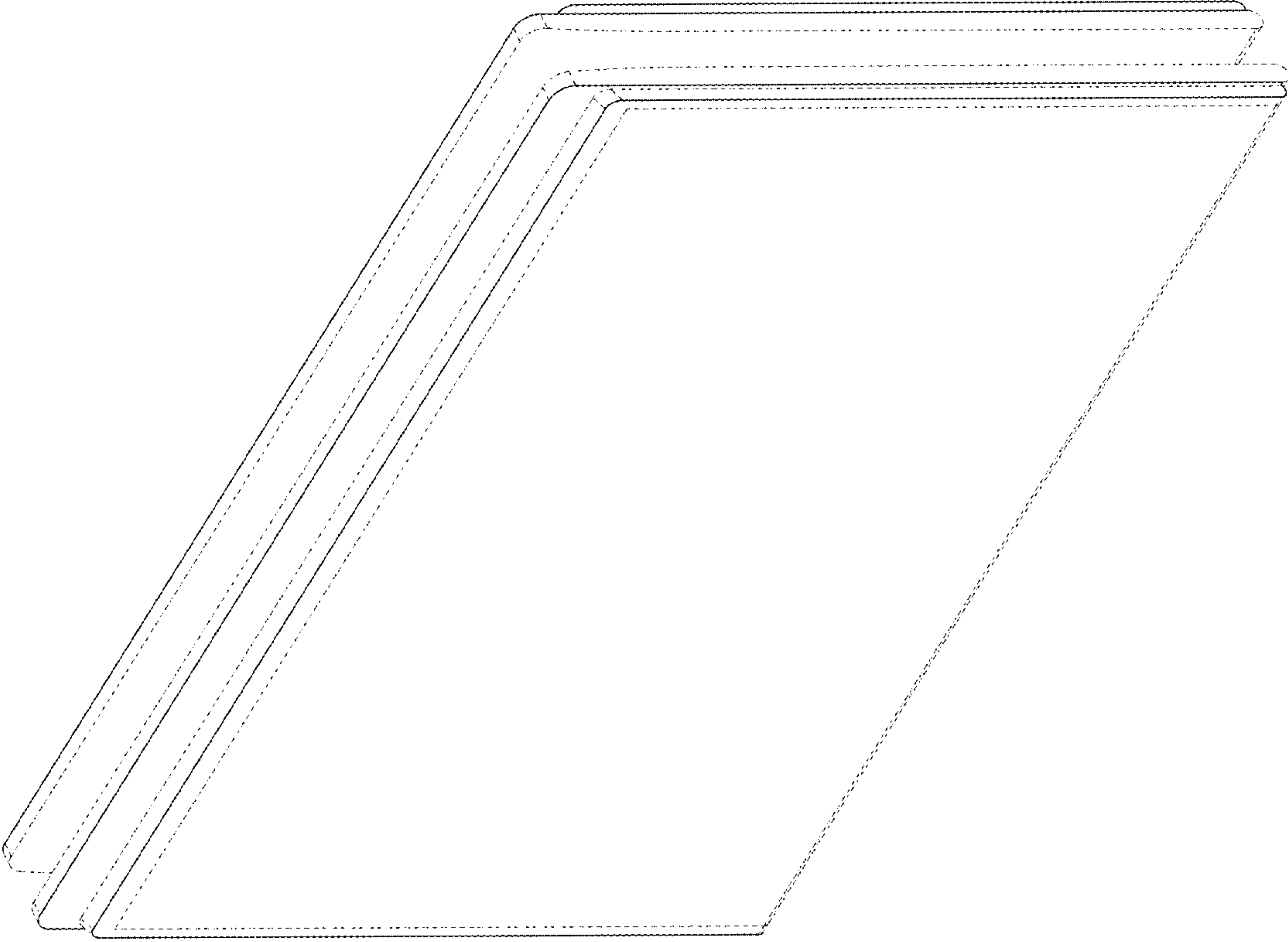


FIG. 18

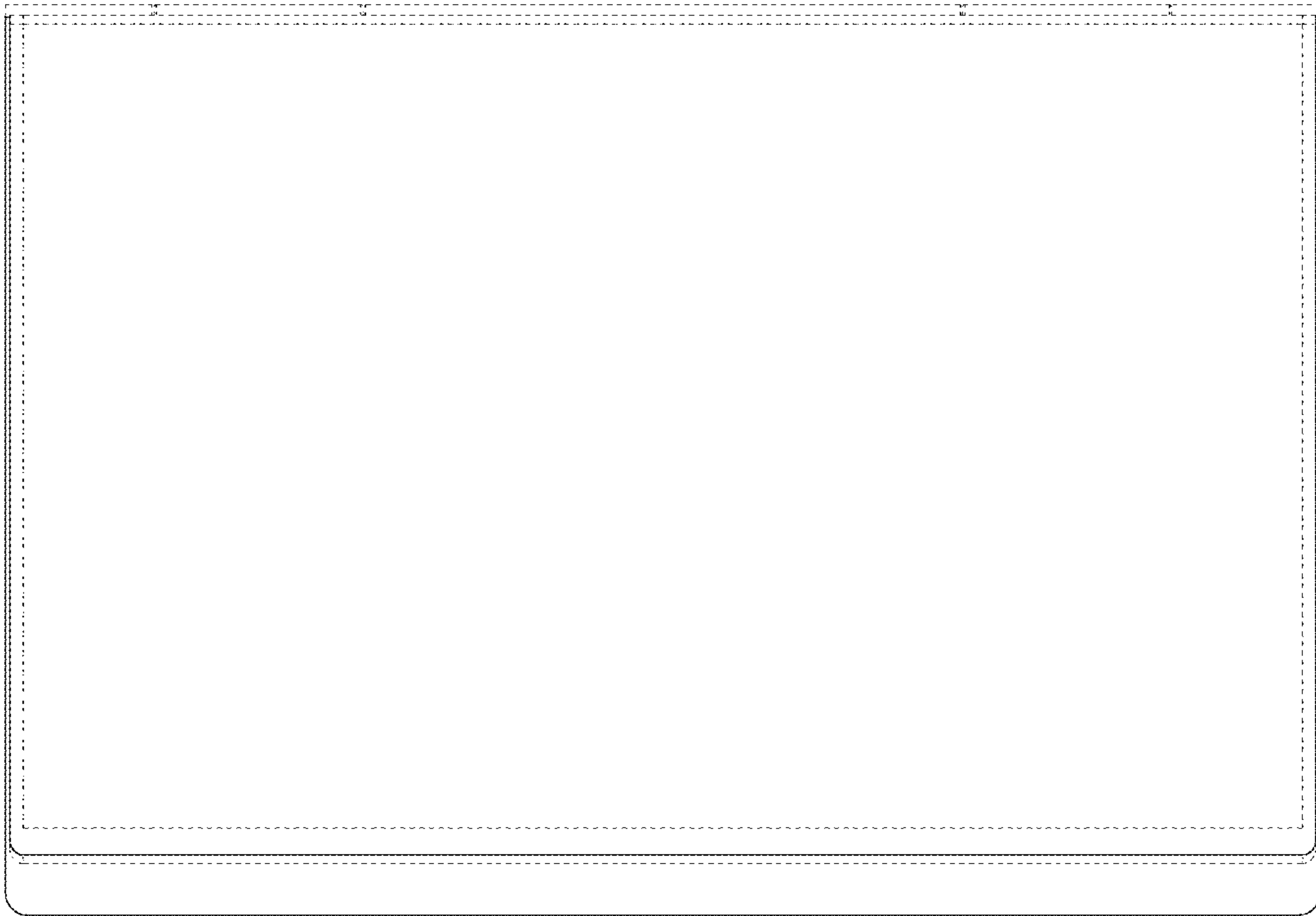


FIG. 19



FIG. 20

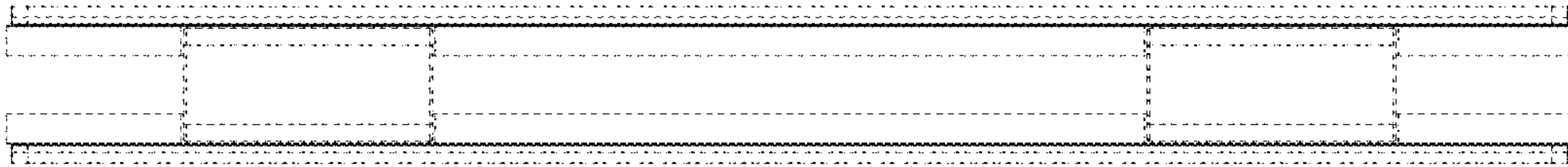


FIG. 22

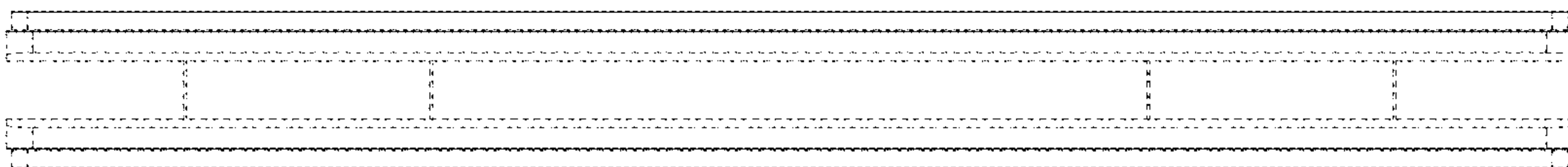


FIG. 21

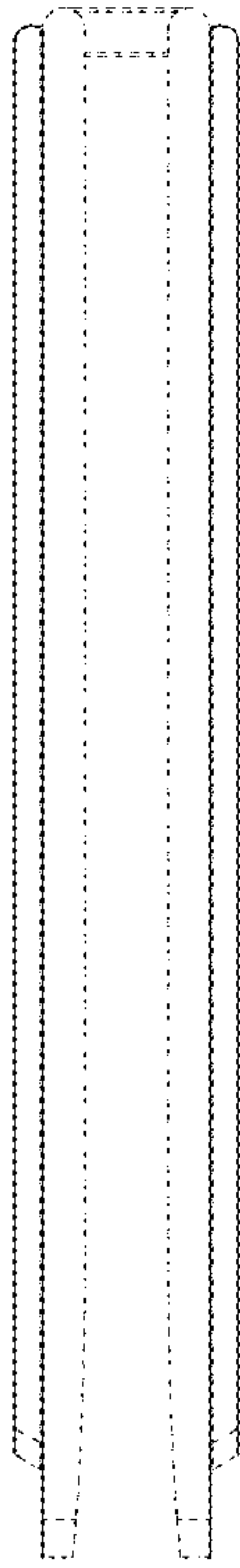


FIG. 23

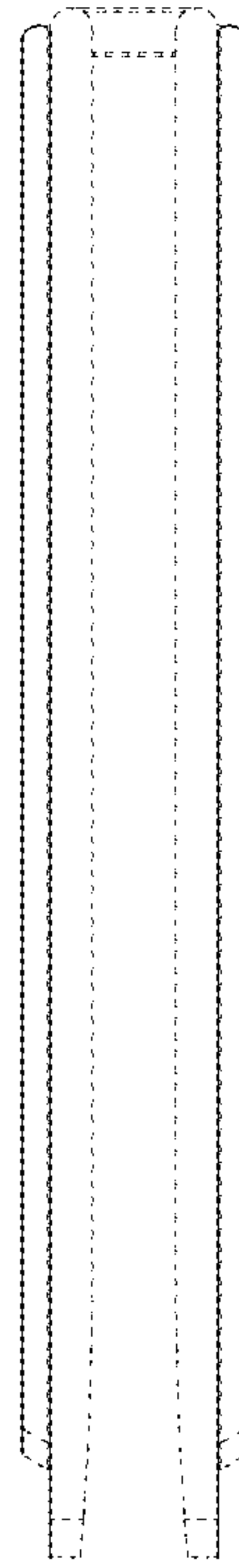


FIG. 24