



US0D1033318S

(12) **United States Design Patent** (10) **Patent No.:** **US D1,033,318 S**
Han (45) **Date of Patent:** **** Jul. 2, 2024**

(54) **AUTOMOTIVE WHEEL**
(71) Applicant: **Donnie Han**, Irvine, CA (US)
(72) Inventor: **Donnie Han**, Irvine, CA (US)
(**) Term: **15 Years**
(21) Appl. No.: **29/861,329**
(22) Filed: **Nov. 29, 2022**
(51) **LOC (14) Cl.** **12-16**
(52) **U.S. Cl.**
USPC **D12/211**
(58) **Field of Classification Search**
USPC D12/204, 205, 206, 207, 208, 209–213;
D15/10, 33; D21/561, 563
CPC B60B 1/00; B60B 1/08; B60B 1/10; B60B
1/12; B60B 3/02; B60B 3/04; B60B 3/06;
B60B 3/10; B60B 7/00; B60B 7/01;
B60B 7/02; B60B 7/04
See application file for complete search history.

D862,354 S * 10/2019 Stroda D12/209
D929,293 S * 8/2021 Han D12/209
D942,354 S * 2/2022 Han D12/209
D997,822 S * 9/2023 Chen D12/209

OTHER PUBLICATIONS

Fittipaldi Off Road FTF504P 26x14, posted Aug. 3, 2023 [online], [retrieved Feb. 19, 2024]. Retrieved from internet, <https://www.amazon.com/FITTIPALDI-FTF504P-8X6-50-125-2-POLISHED-FTF504-26148165N76P/dp/B0CDN8BN8W/> (Year: 2023).
Truck Forged FTF504 rims _ Fittipaldi Off Road Wheels, posted date unknown [online], [retrieved Feb. 19, 2024]. Retrieved from internet, <https://www.fittipaldioffroad.com/wheels/ftf504/> (Year: 2024).
Mercedes 16 Spoke wheels in 7x23 High Sheen, posted date unknown [online], [retrieved Feb. 19, 2024]. Retrieved from internet, https://www.alloywheelsdirect.net/mercedes_alloy_wheels/vito_447_alloys/19_mercedes_16_spoke_wheel_5627 (Year: 2024).

* cited by examiner

Primary Examiner — Darlington Ly
Assistant Examiner — Jeremy Koenig

(56) **References Cited**

U.S. PATENT DOCUMENTS

D667,769 S * 9/2012 Pollmann D12/209
D726,625 S * 4/2015 Gallert D12/211
D754,050 S * 4/2016 Rueckheim D12/211
D763,161 S * 8/2016 Morgenstern D12/211
D788,009 S * 5/2017 Zhao D12/211
D793,939 S * 8/2017 Hans D12/211
D823,217 S * 7/2018 Chung D12/209
D828,265 S * 9/2018 Gallert D12/209
D843,910 S * 3/2019 Hans D12/209
D845,205 S * 4/2019 Chu D12/211

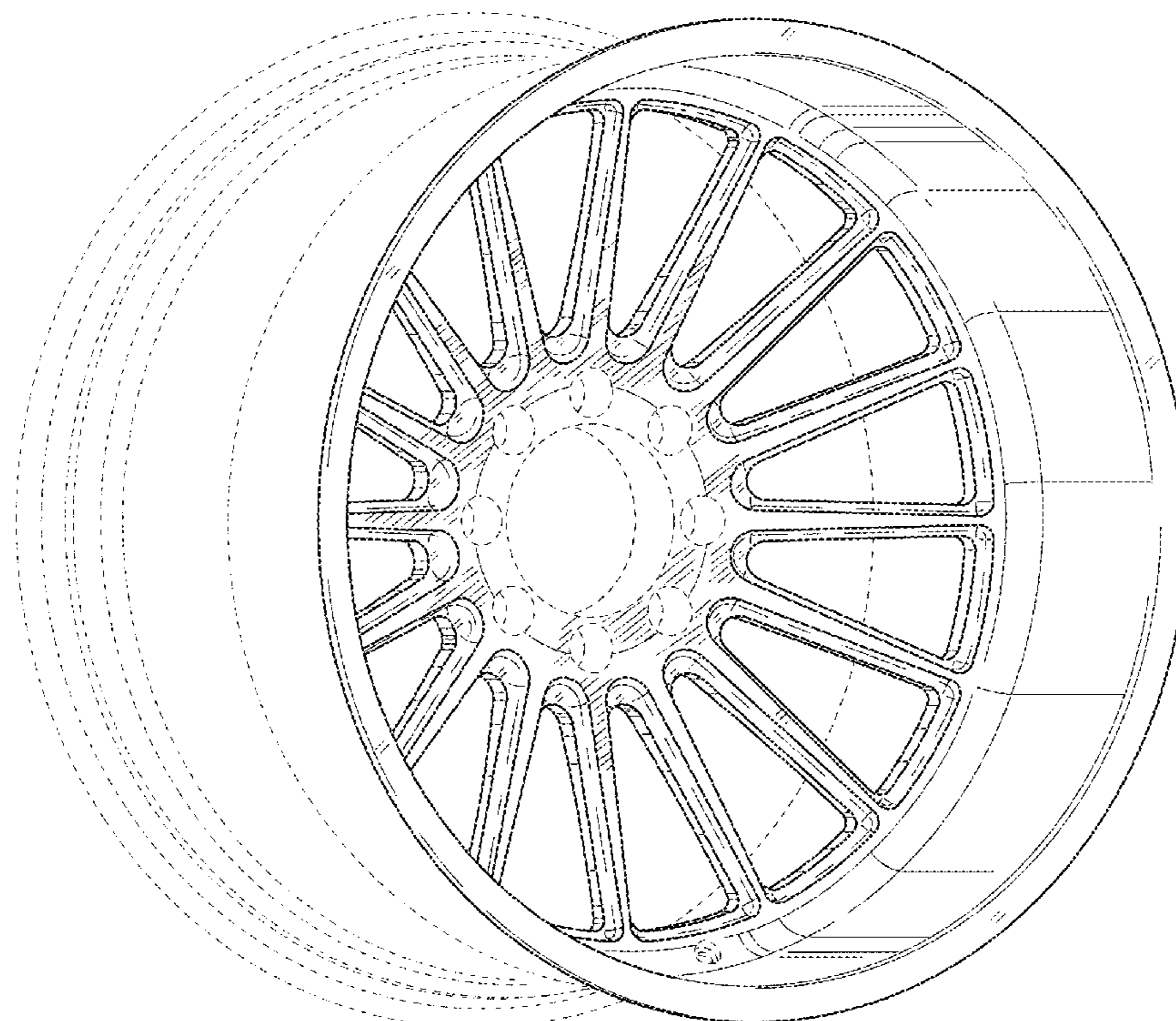
(57) **CLAIM**

The ornamental design for an automotive wheel, as shown and described.

DESCRIPTION

FIG. 1 is a perspective view of an automotive wheel, showing my new design; and, FIG. 2 is a front elevation view thereof. In the drawings, the broken lines depict portions of the automotive wheel that form no part of the claimed design.

1 Claim, 2 Drawing Sheets



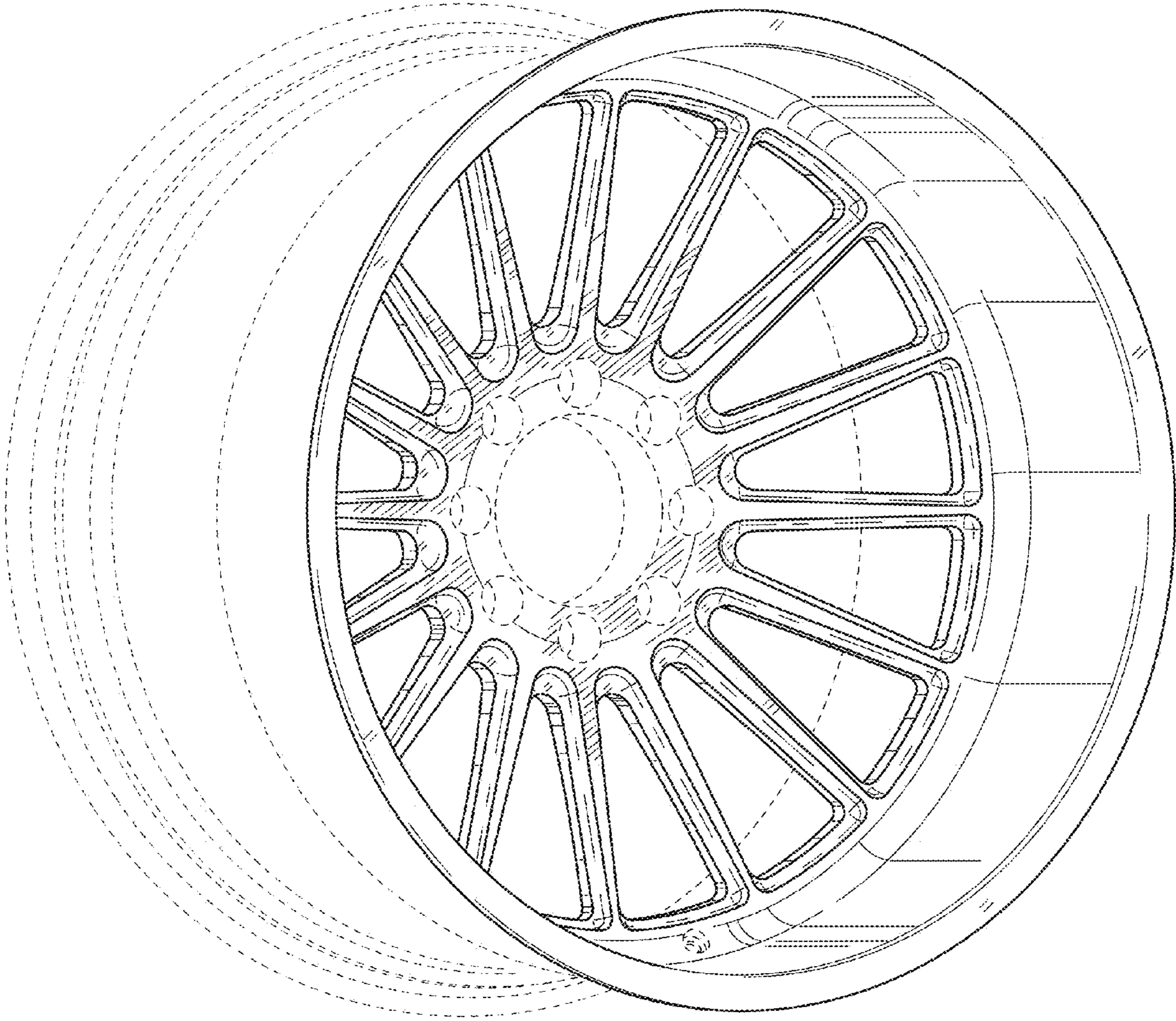


FIGURE 1

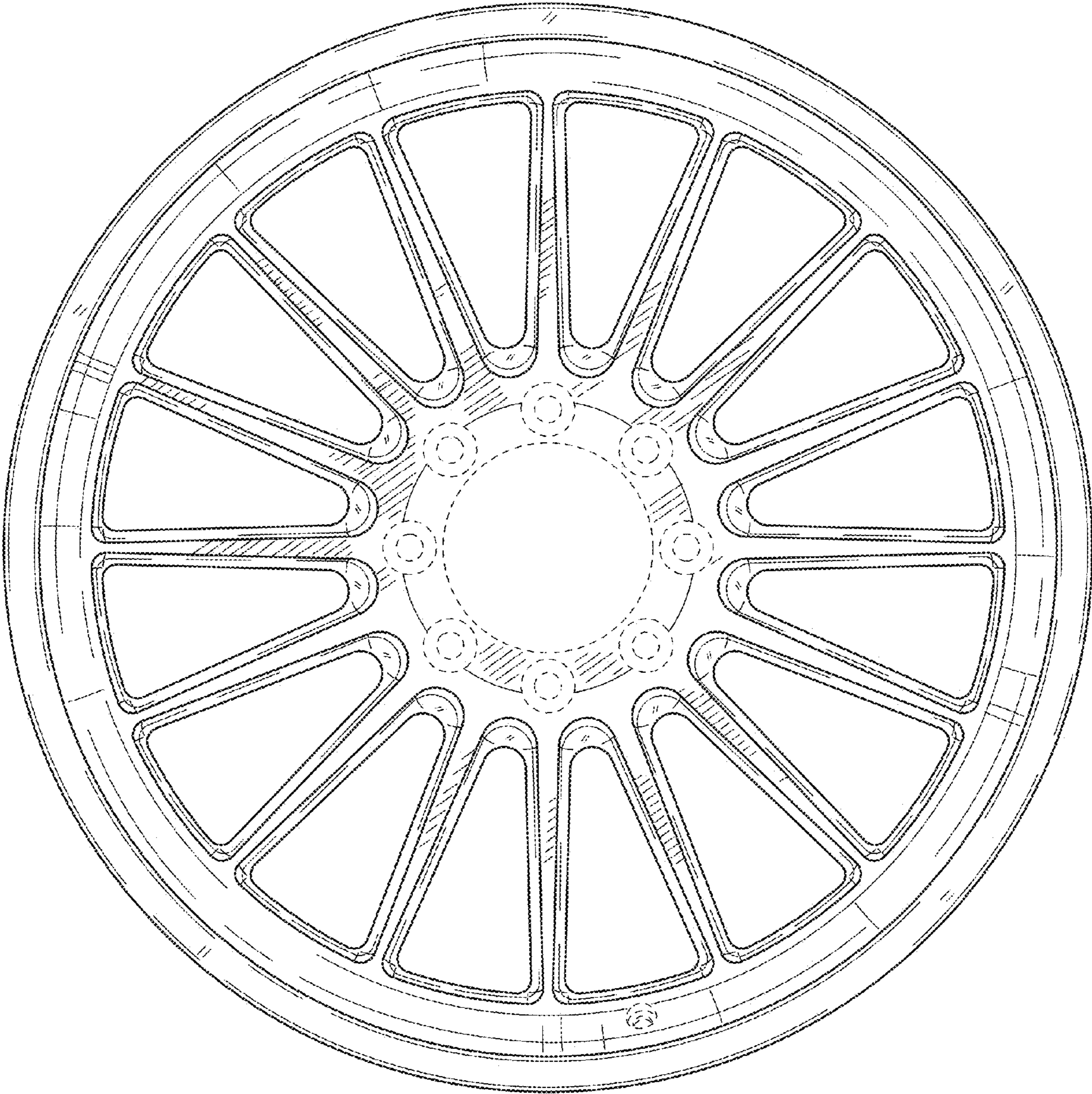


FIGURE 2