



US0D1033200S

(12) **United States Design Patent**
Strunk

(10) **Patent No.:** **US D1,033,200 S**

(45) **Date of Patent:** **** Jul. 2, 2024**

(54) **PAIR OF SUPPORT BARS**

(71) Applicant: **George W. Strunk**, St. Charles, MO
(US)

(72) Inventor: **George W. Strunk**, St. Charles, MO
(US)

(**) Term: **15 Years**

(21) Appl. No.: **29/745,990**

(22) Filed: **Aug. 11, 2020**

(51) **LOC (14) Cl.** **08-08**

(52) **U.S. Cl.**
USPC **D8/349; D8/355**

(58) **Field of Classification Search**
USPC D6/513, 362, 574, 572, 566; D8/349,
D8/354, 355, 380, 373, 374; D12/317,
D12/400, 406, 223, 425; 211/86.01, 13.1,
211/85.7, 87.01, 90.01, 134; 108/42, 149,
108/127, 176.1, 200, 201, 235, 250, 248
CPC F16M 1/00; F16M 13/02; F24F 13/0254;
F24F 13/32; H02G 3/263; B60R 11/00;
B60R 2011/0003; B60R 2011/0082
See application file for complete search history.

(56) **References Cited**

U.S. PATENT DOCUMENTS

D288,407 S	*	2/1987	St. Alban	D8/354
D416,830 S	*	11/1999	McKay	D12/114
D507,688 S	*	7/2005	Jean	D34/28
D569,770 S	*	5/2008	Biery, Jr.	D12/162
D610,953 S	*	3/2010	Eckhart	D12/162
D623,044 S	*	9/2010	Tezak	D8/349
D744,379 S	*	12/2015	Penner	D12/106
D793,844 S	*	8/2017	Kim	D8/349
D793,845 S	*	8/2017	Kim	D8/349
D810,526 S	*	2/2018	Dougherty	D8/8

D884,461 S	*	5/2020	Allen	D8/349
D910,423 S	*	2/2021	Pigg	D8/349
D959,237 S	*	8/2022	Mantenuto	D8/349
D964,910 S	*	9/2022	Davis	D8/349
D966,950 S	*	10/2022	Wettig	D12/159
D967,694 S	*	10/2022	Lin	D8/394
D968,931 S	*	11/2022	Barron	D8/355
D1,011,995 S	*	1/2024	Badillo	D12/406

* cited by examiner

Primary Examiner — Mark A Goodwin

(74) *Attorney, Agent, or Firm* — Grace J. Fishel

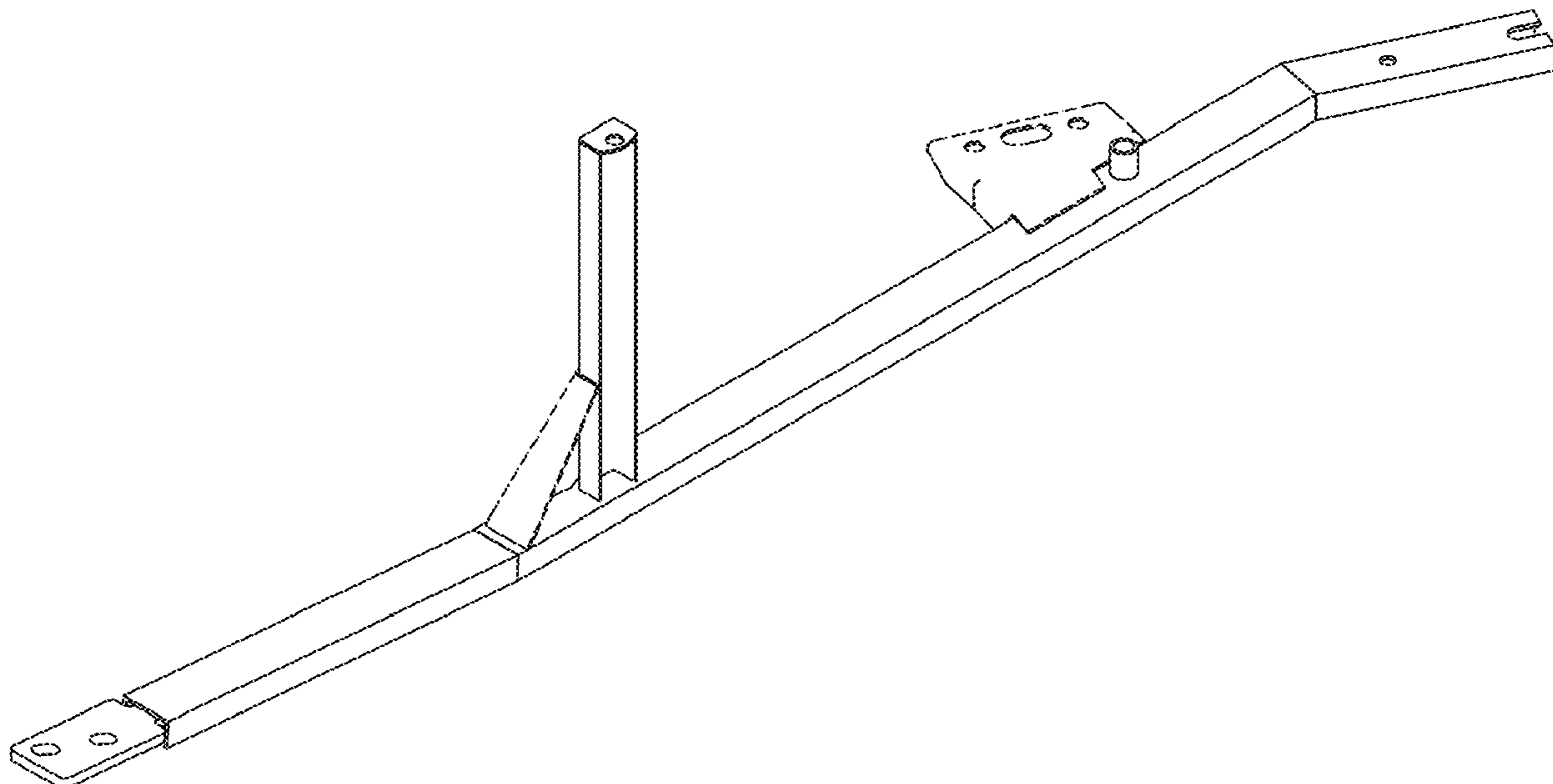
(57) **CLAIM**

The ornamental design for a pair of support bars, as shown and described.

DESCRIPTION

FIG. 1 is a perspective view of a right support bar;
 FIG. 2 is a top view thereof;
 FIG. 3 is a left side view thereof as viewed in FIG. 2;
 FIG. 4 is a right side view thereof as viewed in FIG. 2;
 FIG. 5 is a bottom view thereof;
 FIG. 6 is a bottom end view thereof as viewed in FIG. 2;
 FIG. 7 is a top end view thereof as viewed in FIG. 2;
 FIG. 8 a perspective view of a left support bar which is a mirror image of the right support bar;
 FIG. 9 is a top view thereof;
 FIG. 10 is a left side view thereof as viewed in FIG. 9;
 FIG. 11 is a right side view thereof as viewed in FIG. 9;
 FIG. 12 is a bottom view thereof;
 FIG. 13 is a bottom end view thereof as viewed in FIG. 9;
 and,
 FIG. 14 is a top end view thereof as viewed in FIG. 9.
 The gusset and bracket shown in broken lines is not part of the claimed design.

1 Claim, 12 Drawing Sheets



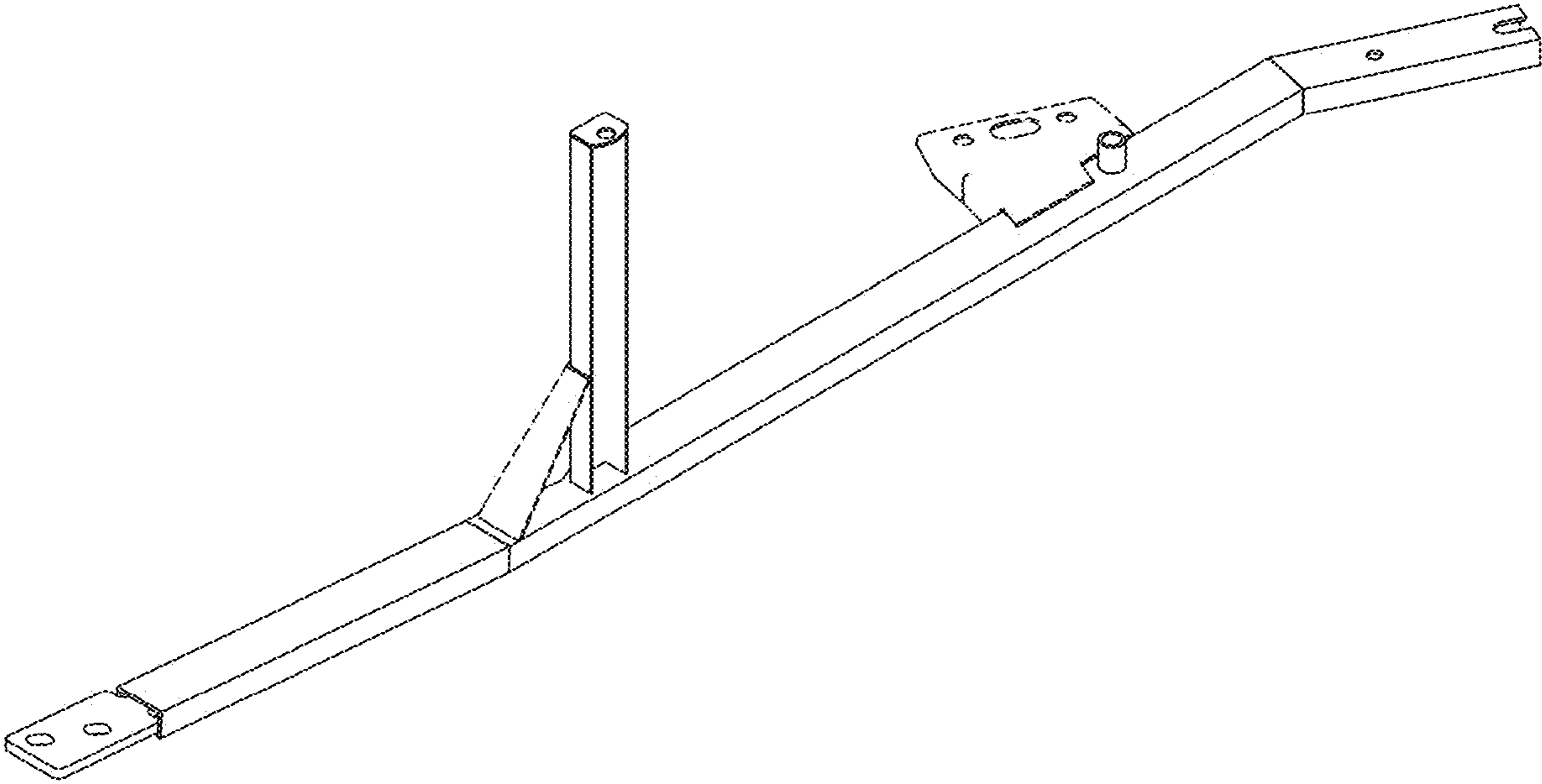


Fig. 1

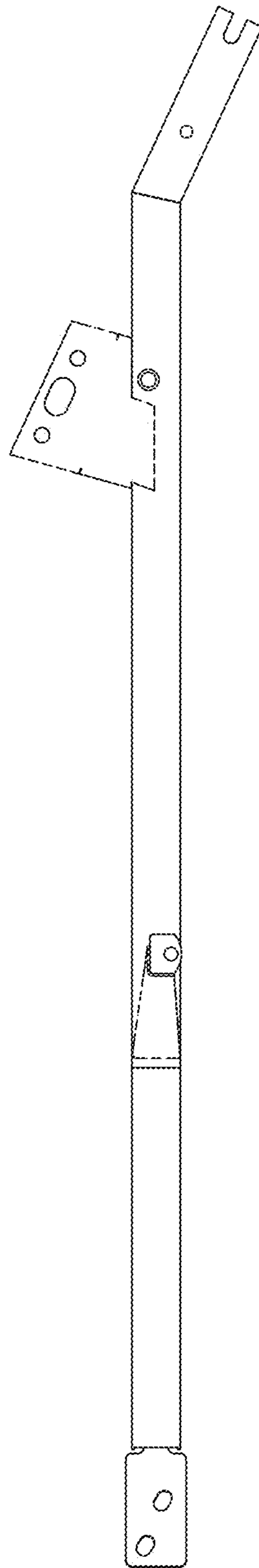


Fig. 2

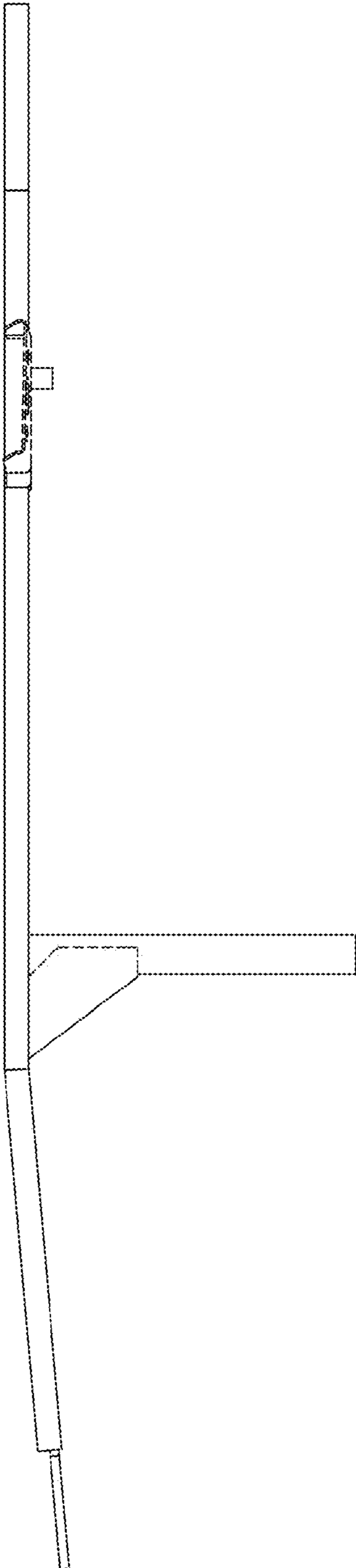


Fig. 3

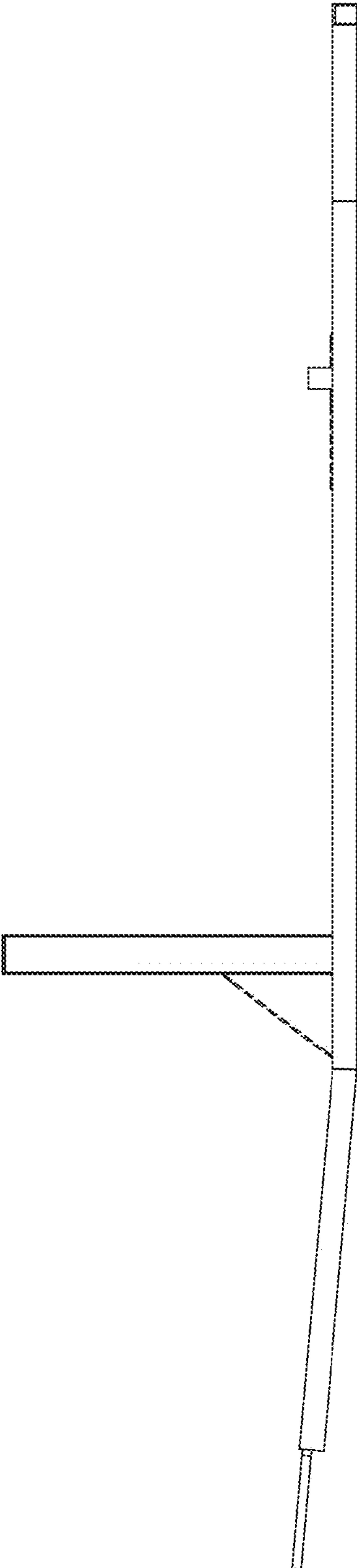


Fig. 4

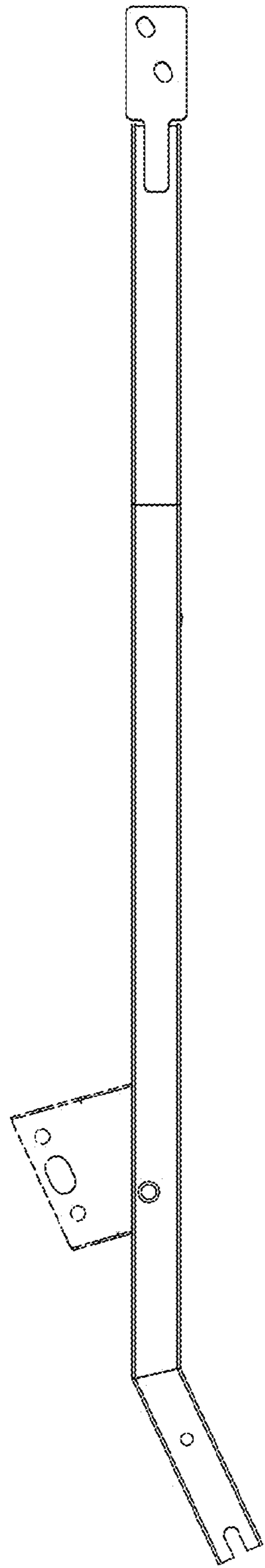


Fig. 5

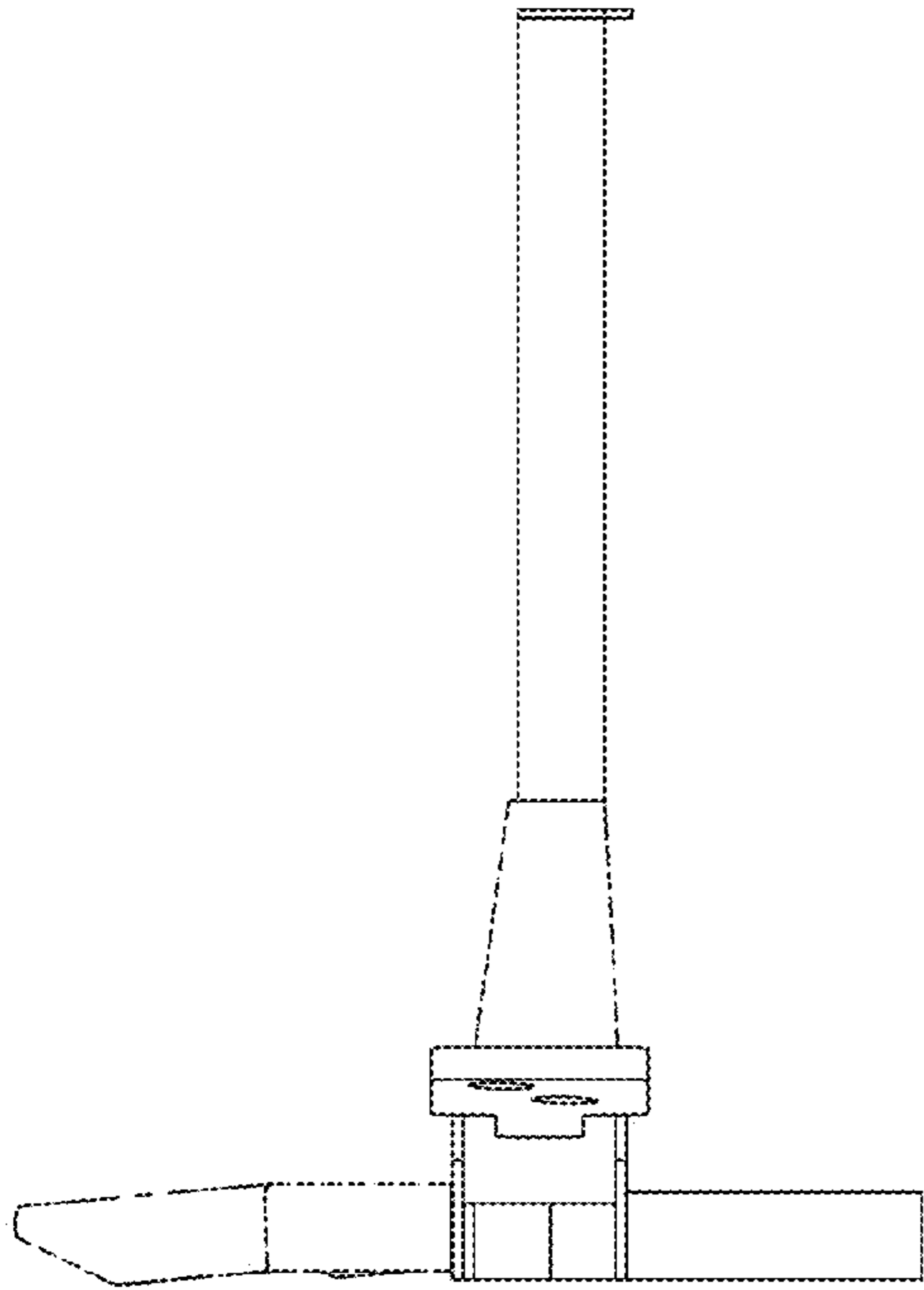


Fig. 6

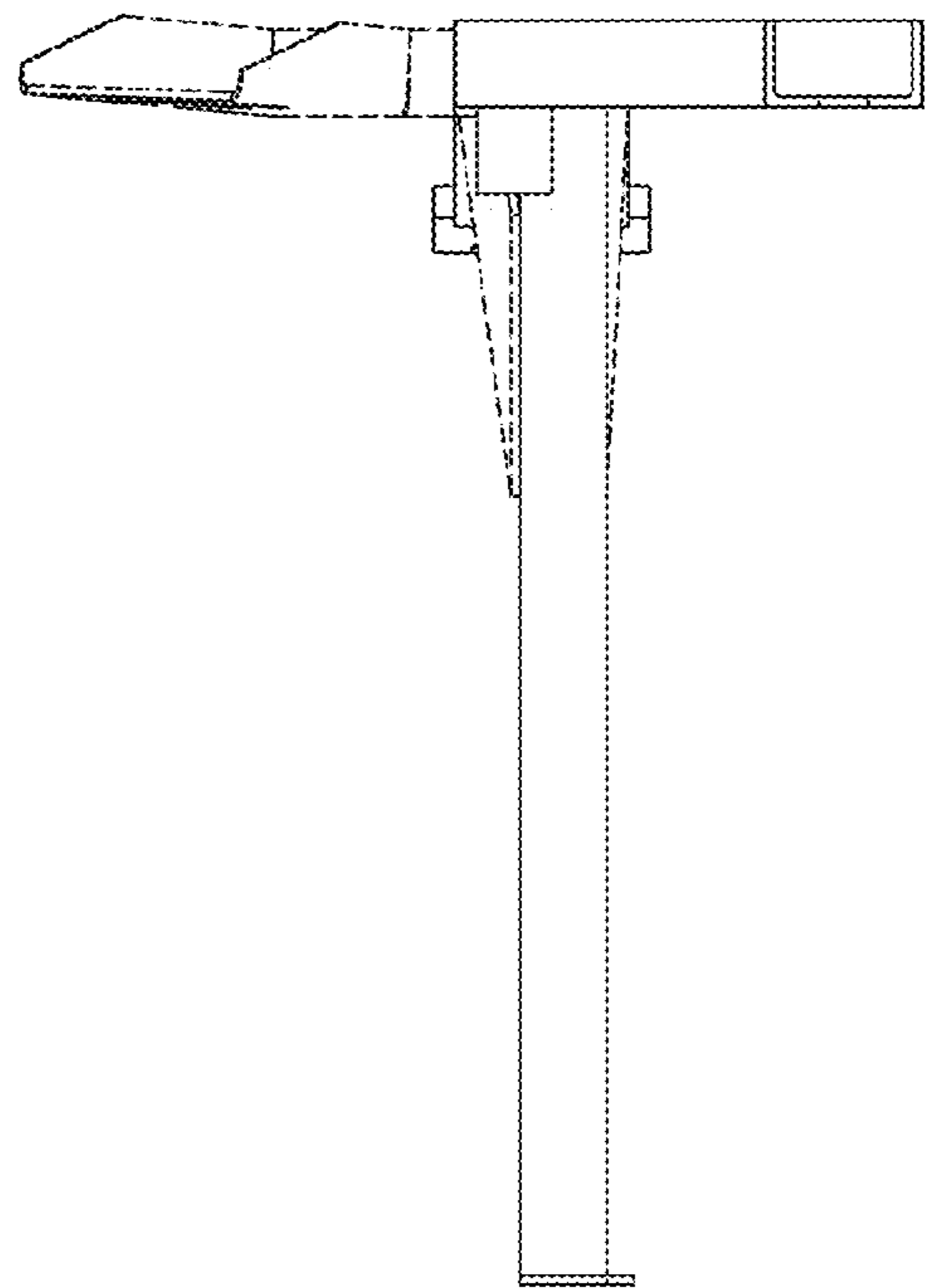


Fig. 7

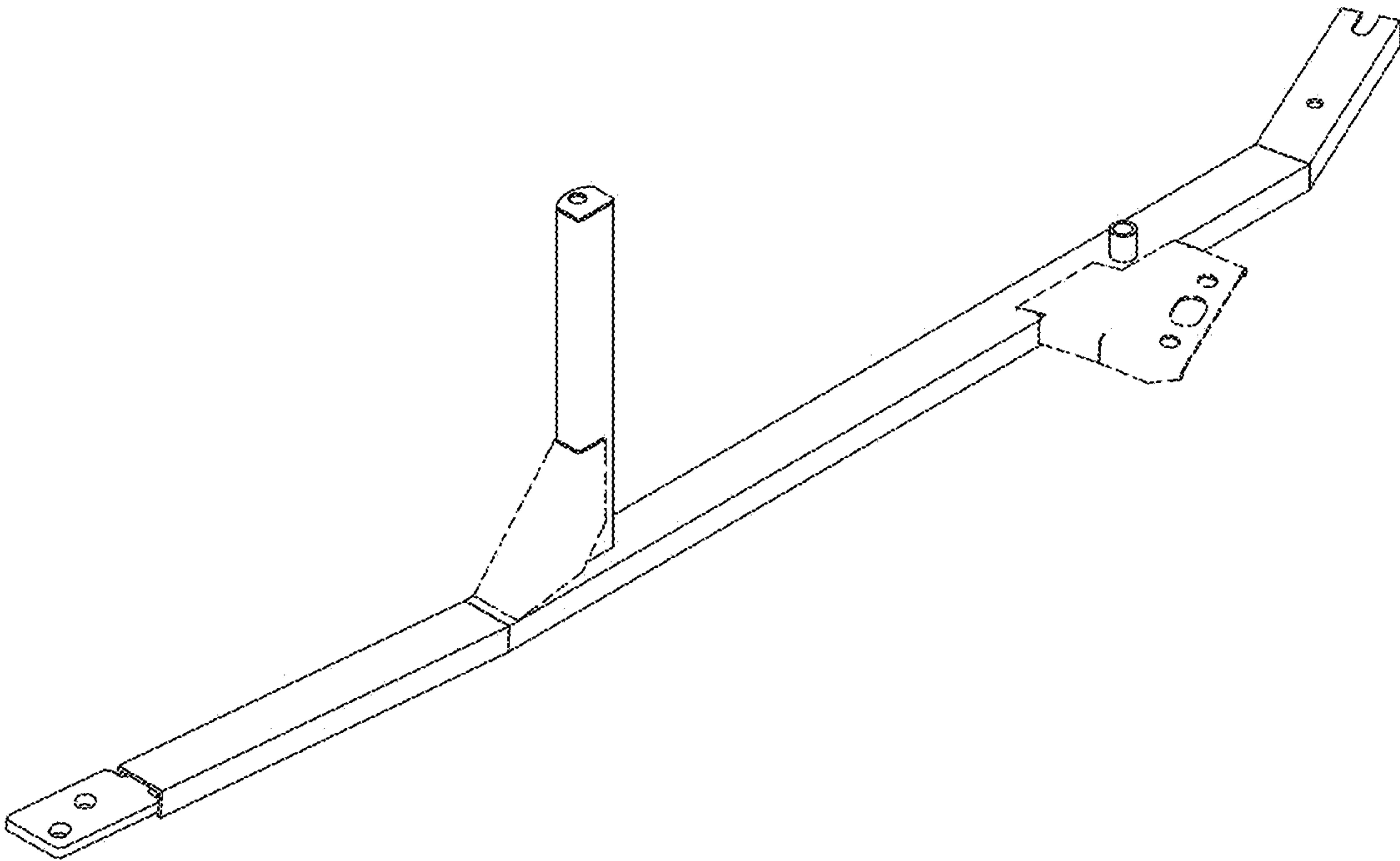


Fig. 8

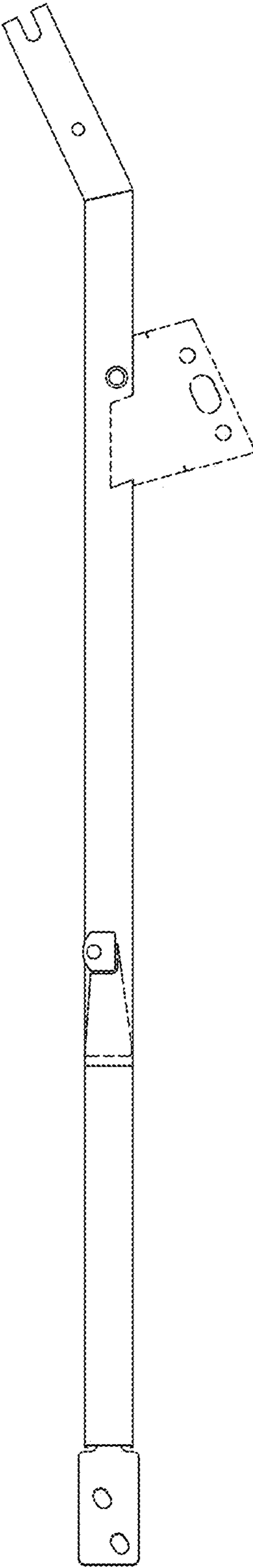


Fig. 9

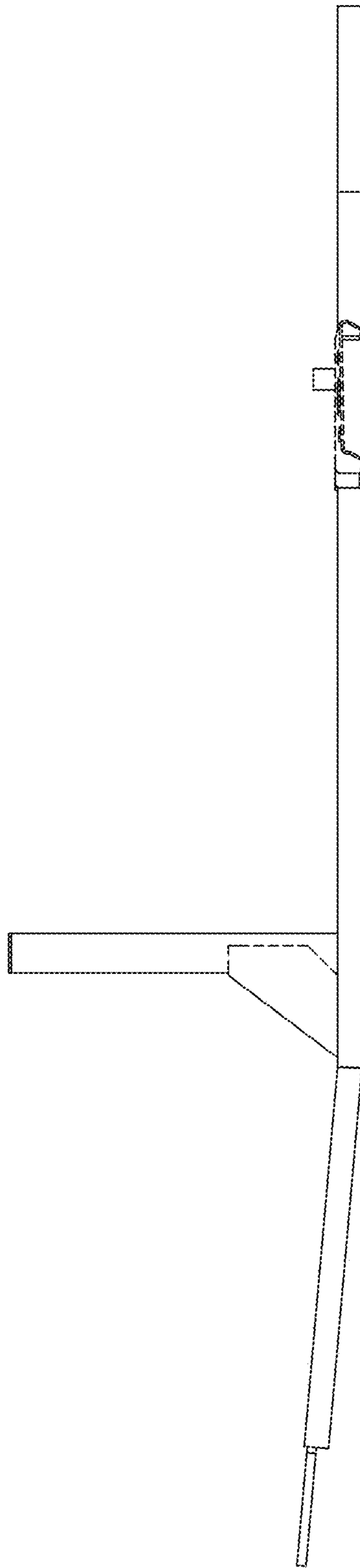


Fig. 10

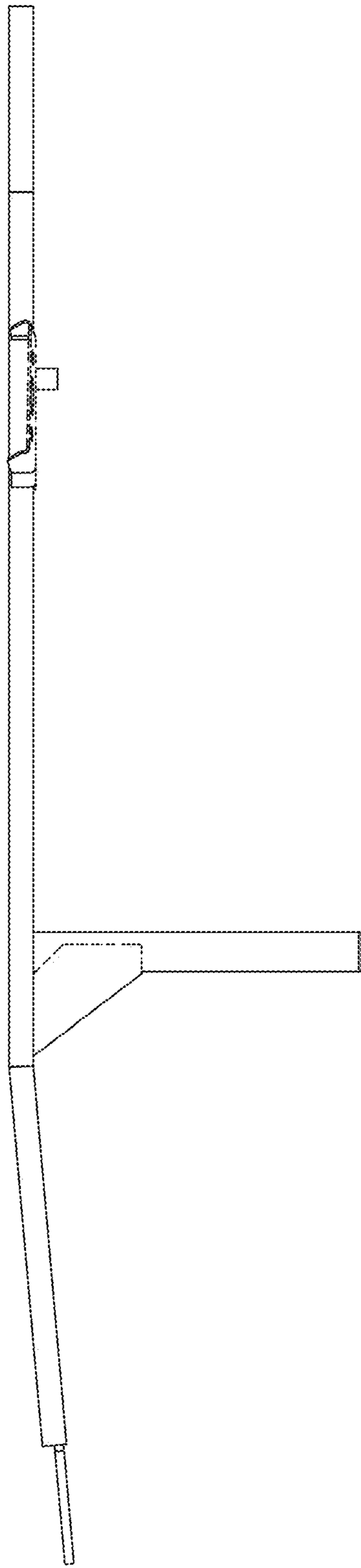


Fig. 11

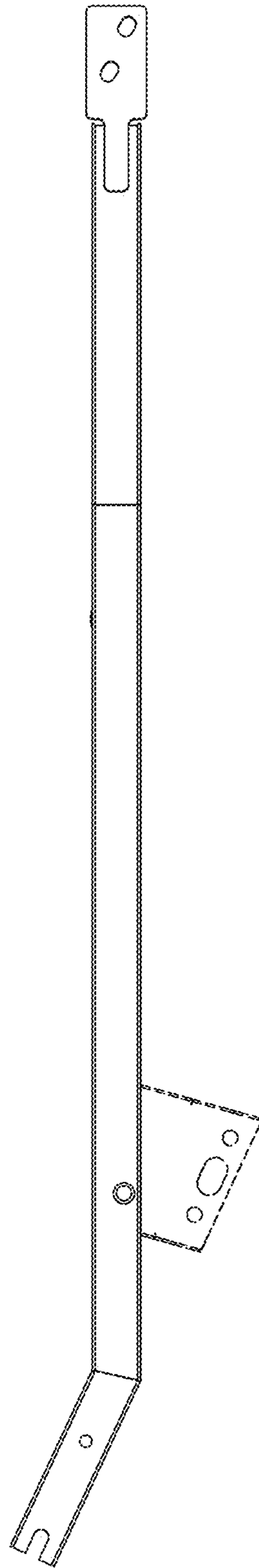


Fig. 12

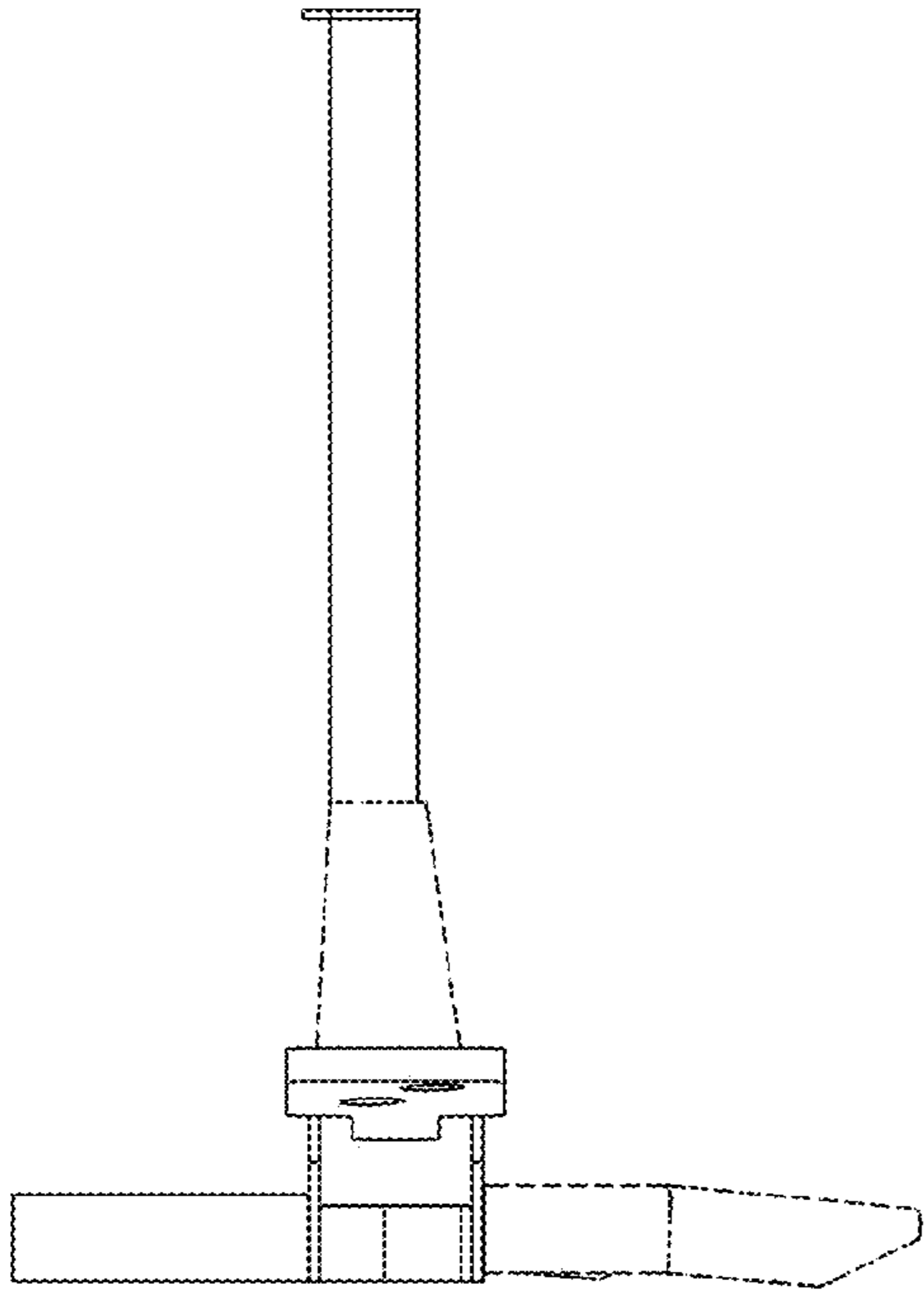


Fig. 13

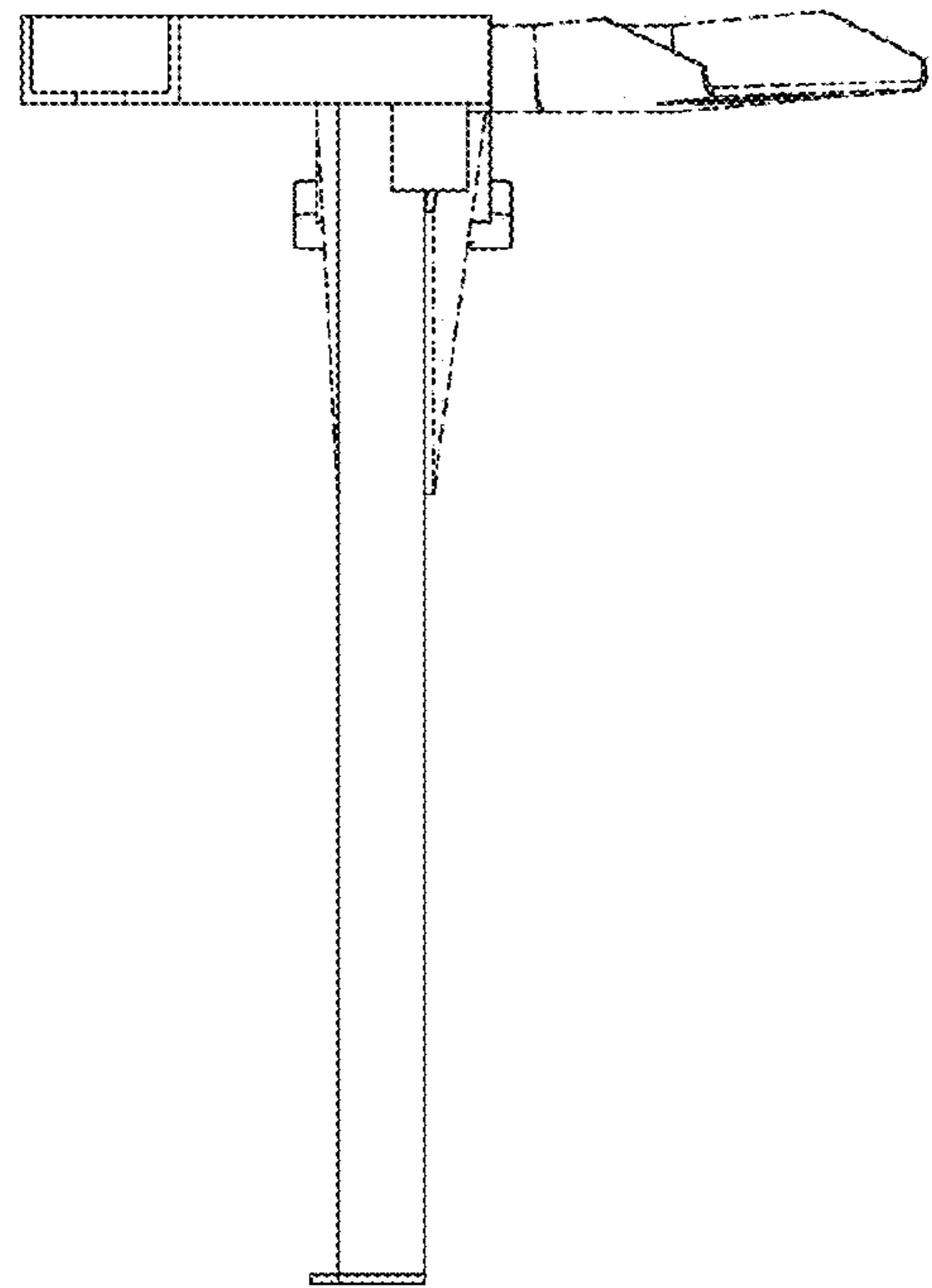


Fig. 14