



US0D1033191S

(12) **United States Design Patent** (10) **Patent No.:** **US D1,033,191 S**
Bailey et al. (45) **Date of Patent:** **** Jul. 2, 2024**

(54) **STEP DRILL BIT**
(71) Applicant: **BLACK & DECKER INC.**, New Britain, CT (US)
(72) Inventors: **Erick Taylor Bailey**, Vernon, CT (US); **Clederson Barro**, Carlos Barbosa (BR); **Matthew Christopher Green**, Amherst, MA (US); **Jackson Mead Brandin**, West Springfield, MA (US); **Andrew C. Reist**, Springfield, MA (US); **Joseph T. Novak**, East Longmeadow, MA (US)

D526,670 S * 8/2006 Ibey D15/139
9,731,358 B2 * 8/2017 Allen B23B 51/009
D872,783 S * 1/2020 Parendo D15/139
D881,241 S * 4/2020 Parendo D15/139
D892,183 S * 8/2020 Parendo D15/139
11,273,501 B2 * 3/2022 Parendo B23B 51/02
2008/0166195 A1 * 7/2008 Gentry B23B 51/009
408/224
2012/0186406 A1 * 7/2012 Abel H02G 1/00
81/485
2012/0195704 A1 * 8/2012 White B23B 51/0081
408/224
2017/0129022 A1 * 5/2017 Durfee B23B 51/009
2019/0329331 A1 * 10/2019 Parendo B23B 51/02
(Continued)

(73) Assignee: **BLACK & DECKER INC.**, New Britain, CT (US)

FOREIGN PATENT DOCUMENTS

(**) Term: **15 Years**

EM 015010504-0001 * 2/2023

(21) Appl. No.: **29/865,750**

OTHER PUBLICATIONS

(22) Filed: **Aug. 10, 2022**

Amazon, Beaugirew 3 Piece Step Drill Bit Set, Nov. 20, 2023, <http://tinyurl.com/2bsw862x> (Year: 2023).*

(51) **LOC (14) Cl.** **08-01**

(52) **U.S. Cl.**
USPC **D15/139**; D8/86

(58) **Field of Classification Search**
USPC D15/132, 139, 199; D8/86, 70, 107
CPC B23B 51/009; B23B 51/0002; B23B 51/0007; B23B 2251/14; B23B 2251/04; B23B 2251/048; B23B 2222/32; B23B 2270/36; B23B 2251/50; B23B 2251/40; Y10T 408/21; Y10T 408/906

Primary Examiner — Jennifer L Rempfer
Assistant Examiner — Olivia H Aldin
(74) *Attorney, Agent, or Firm* — Scott B. Markow

See application file for complete search history.

(57) **CLAIM**
The ornamental design for a step drill bit, as shown and described.

(56) **References Cited**

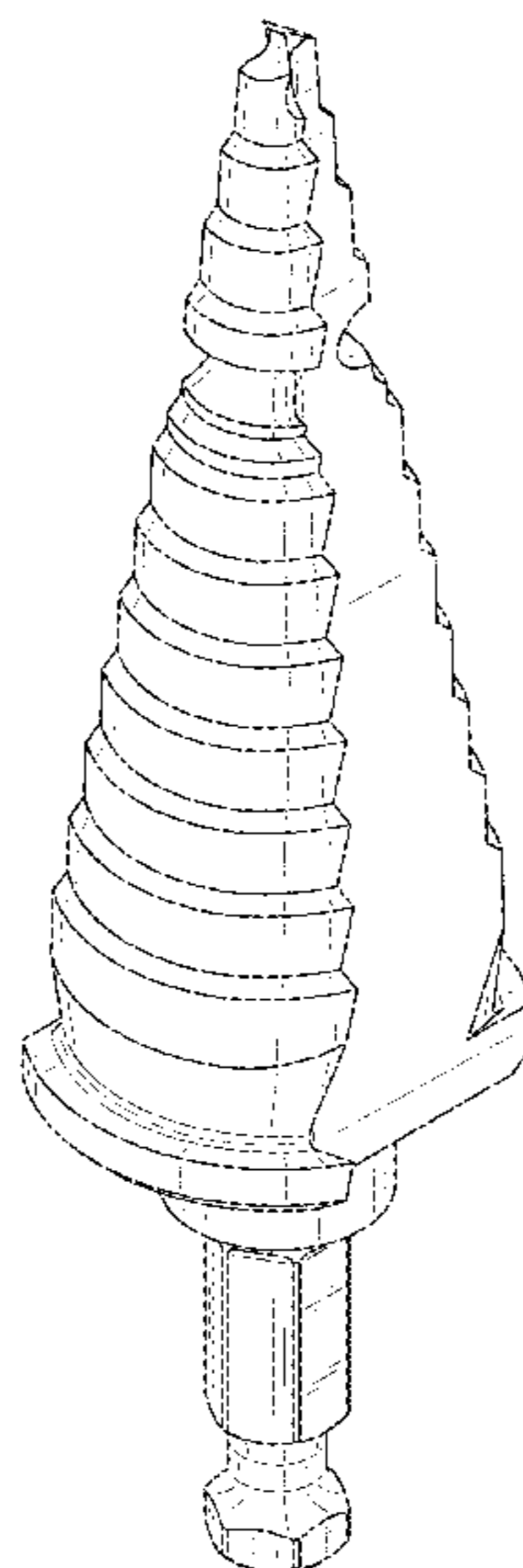
DESCRIPTION

U.S. PATENT DOCUMENTS

3,758,222 A * 9/1973 Oakes B23B 51/009
408/224
4,127,355 A * 11/1978 Oakes B23B 51/009
408/220
5,466,100 A * 11/1995 Ahluwalia B23B 51/009
408/226

FIG. 1 is a perspective view of the step drill bit.
FIG. 2 is a left side view of the step drill bit of FIG. 1.
FIG. 3 is a right side view of the step drill bit of FIG. 1.
FIG. 4 is a front view of the step drill bit of FIG. 1.
FIG. 5 is a rear view of the step drill bit of FIG. 1.
FIG. 6 is a top end view of the step drill bit of FIG. 1; and,
FIG. 7 is a bottom end view of the step drill bit of FIG. 1.

1 Claim, 7 Drawing Sheets



(56)

References Cited

U.S. PATENT DOCUMENTS

2021/0197295 A1* 7/2021 Ward B23B 51/009
2022/0371105 A1* 11/2022 Novak B23B 51/009
2023/0278113 A1* 9/2023 Van Essen B23B 51/009
408/224

* cited by examiner

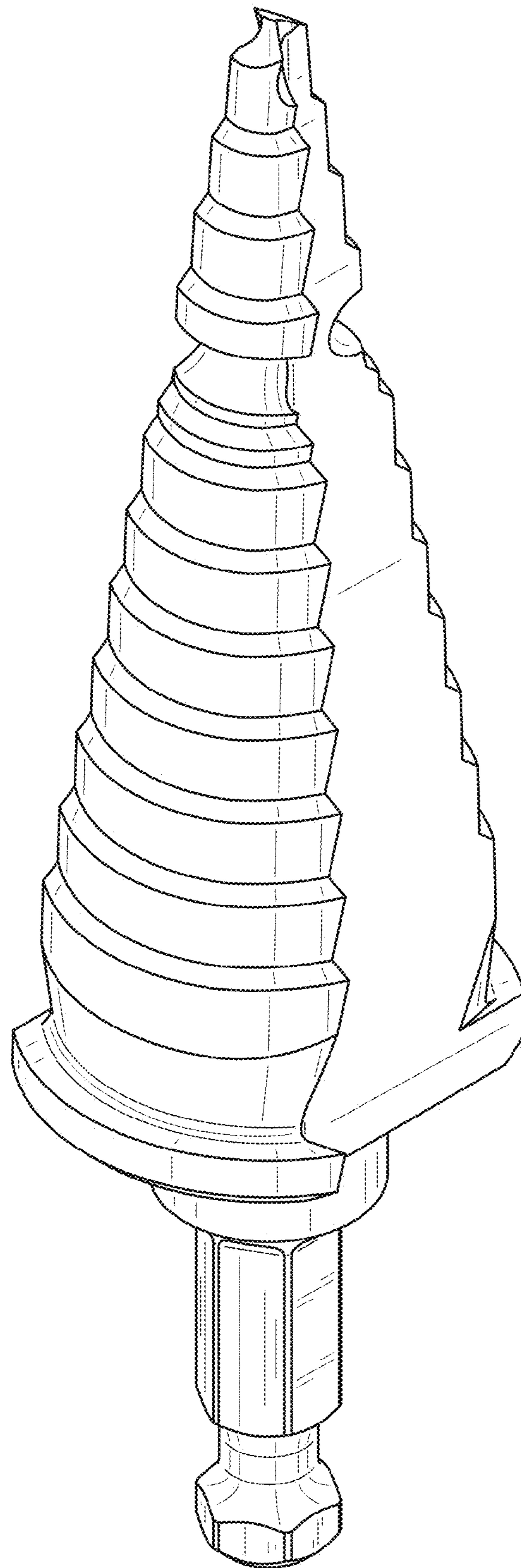


FIG. 1

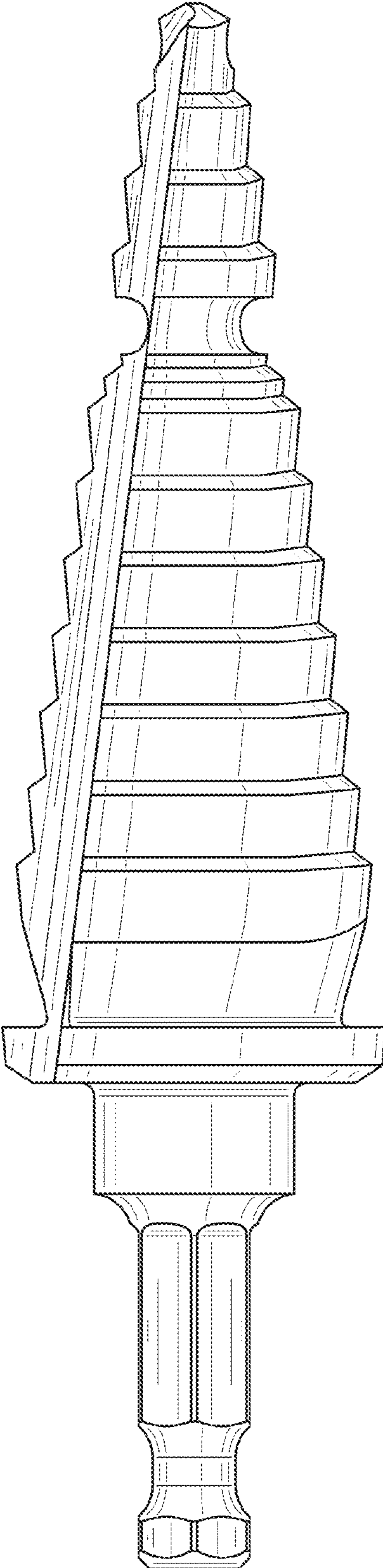


FIG. 2

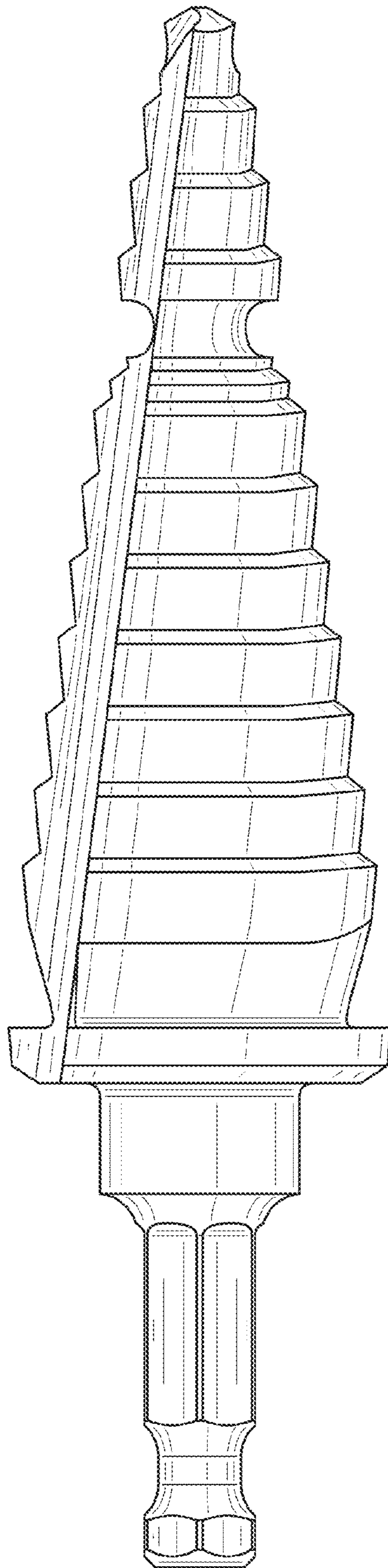


FIG. 3

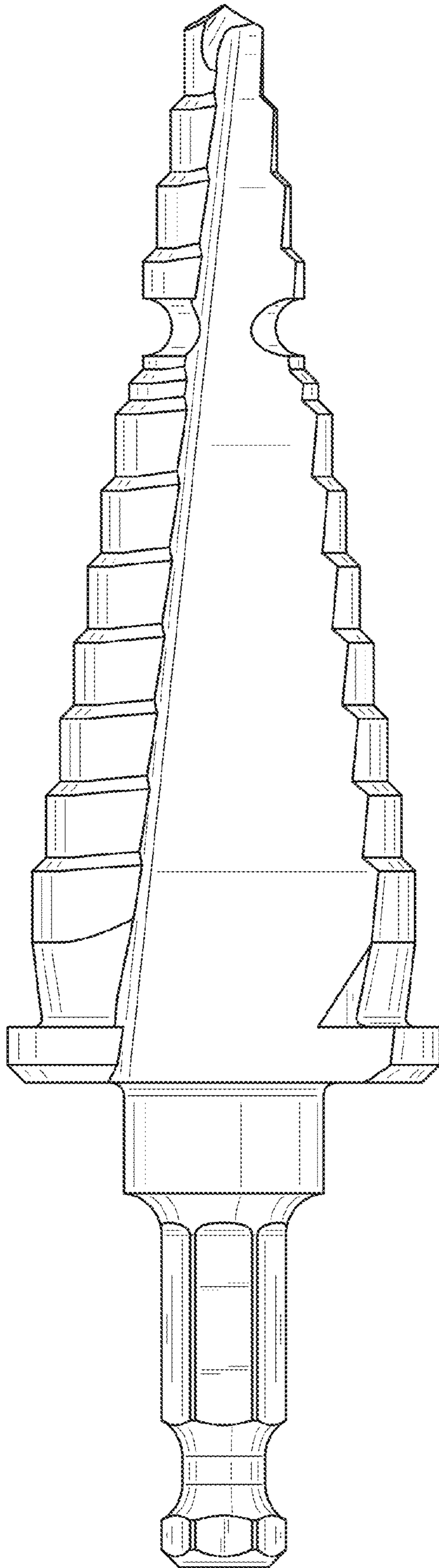


FIG. 4

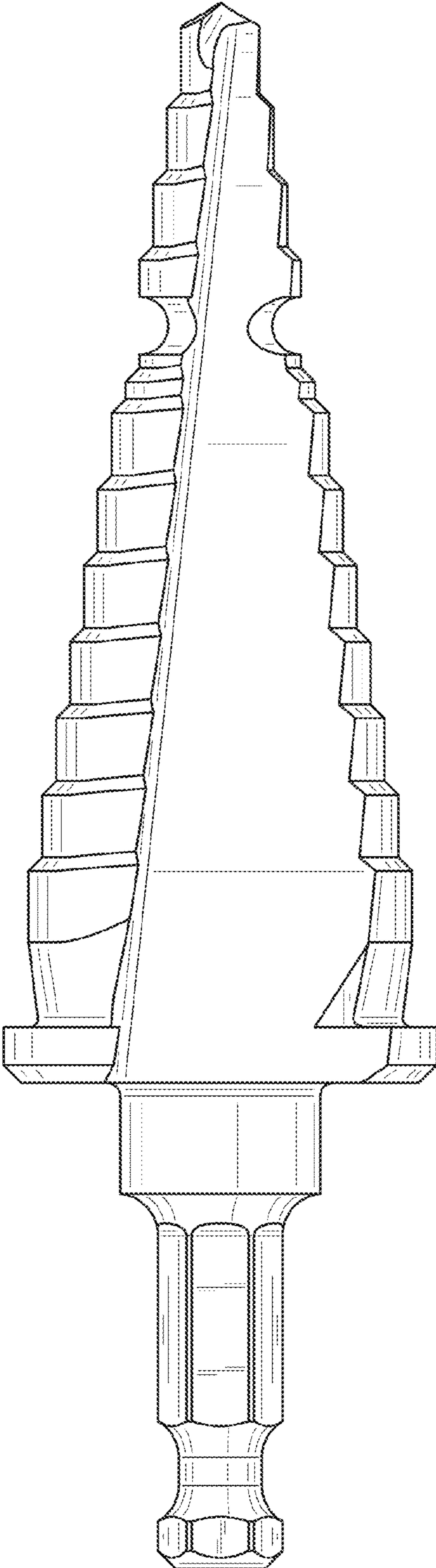


FIG. 5

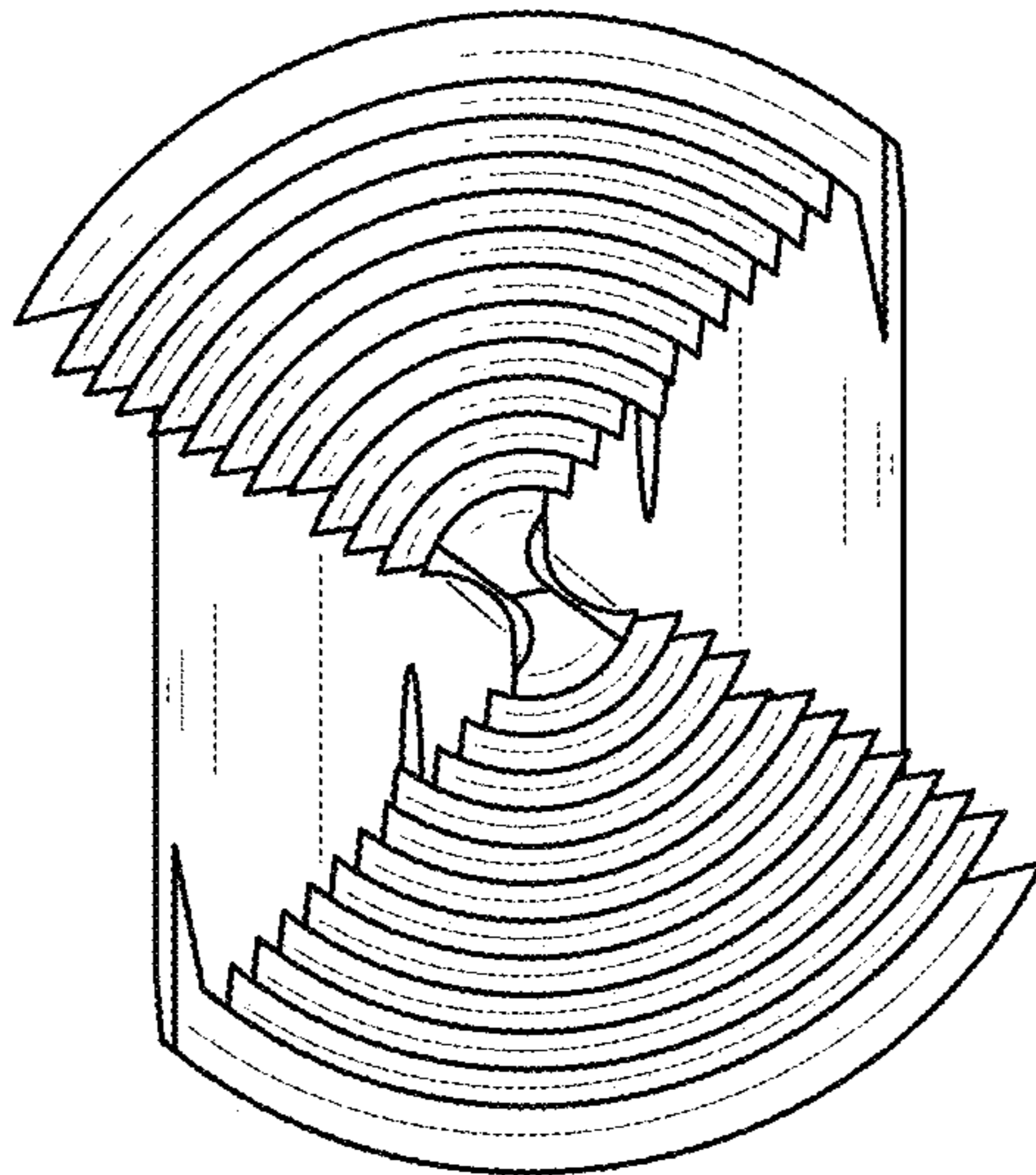


FIG. 6

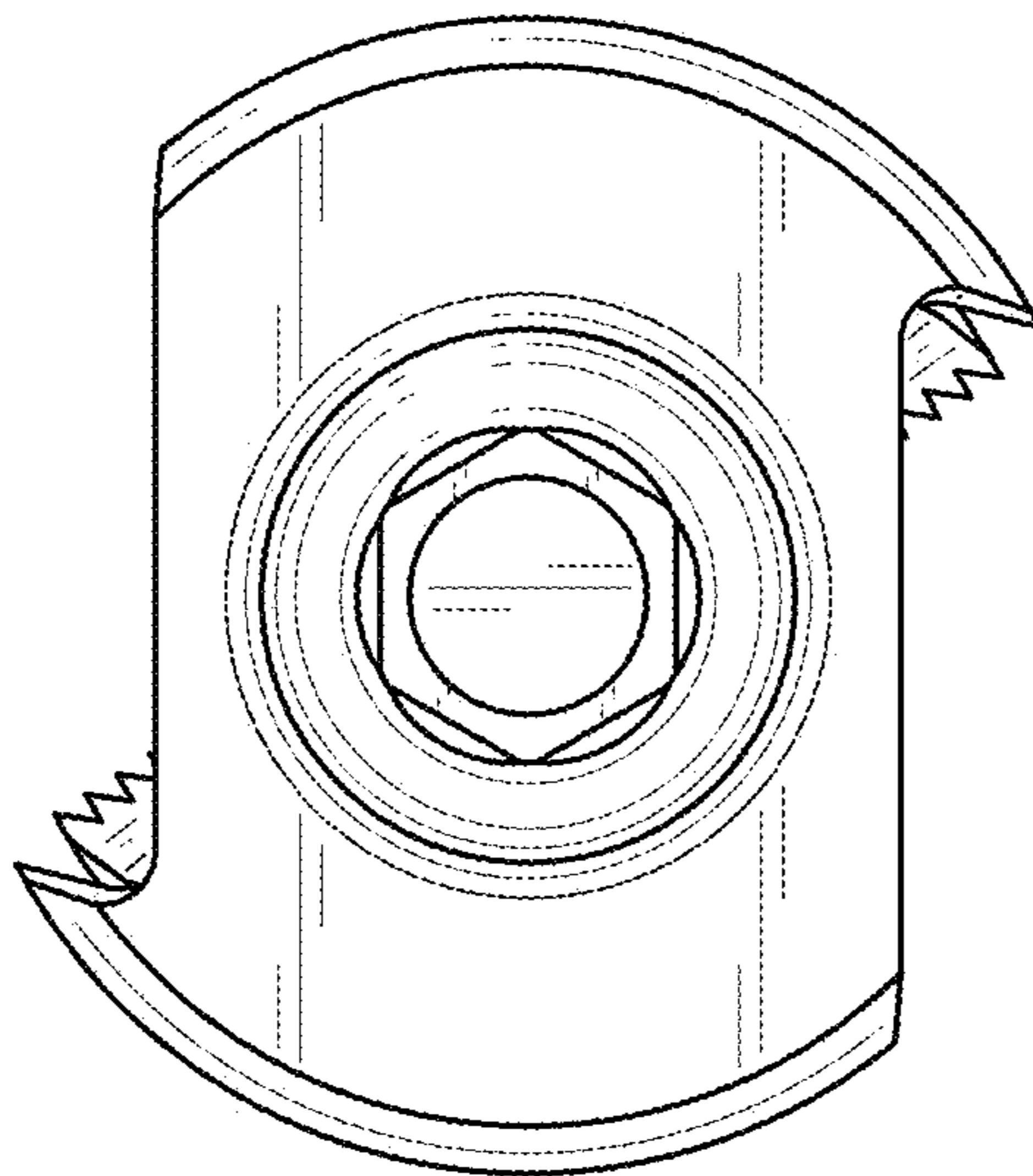


FIG. 7