



US0D1033187S

(12) **United States Design Patent** (10) **Patent No.:** **US D1,033,187 S**
Li (45) **Date of Patent:** **** Jul. 2, 2024**

(54) **KEYCAP PULLER**

(71) Applicant: **SHENZHEN RUI CHI TECHNOLOGY CO., LTD.**, Shenzhen (CN)

(72) Inventor: **Kaijun Li**, Shenzhen (CN)

(73) Assignee: **SHENZHEN RUI CHI TECHNOLOGY CO., LTD.**, Shenzhen (CN)

(**) Term: **15 Years**

(21) Appl. No.: **29/860,532**

(22) Filed: **Nov. 21, 2022**

(51) **LOC (14) Cl.** **08-05**

(52) **U.S. Cl.**
USPC **D8/51**

(58) **Field of Classification Search**
USPC D8/51, 349, 382, 331; D14/398, 447; D27/167; D20/42, 43, 44
CPC Y10T 24/17; A47G 25/902; A47G 25/92; A61B 17/221; A61B 17/50; B25B 5/006; B25H 1/0014
See application file for complete search history.

(56) **References Cited**

U.S. PATENT DOCUMENTS

1,027,097	A *	5/1912	Beam	B65B 13/285
					140/119
1,123,286	A *	1/1915	Heedwell et al.	A61B 17/44
					606/122
1,361,376	A *	12/1920	Fisher	A61C 19/04
					33/514
D183,759	S *	10/1958	Martin	D8/51
3,339,262	A *	9/1967	Brinson	B25B 27/0035
					29/229
D296,511	S *	7/1988	Collins	D8/14
D311,480	S *	10/1990	Stamps	D8/14
D358,970	S *	6/1995	Mayoue	D8/51
5,538,302	A *	7/1996	Travis	B63B 21/54
					294/24

D440,844	S *	4/2001	Fallandy	D8/51
D461,693	S *	8/2002	Khubani	D8/22
D473,763	S *	4/2003	Jones	D30/162
D591,122	S *	4/2009	Buzby	D8/51
D603,434	S *	11/2009	Yang	D15/140

(Continued)

FOREIGN PATENT DOCUMENTS

EM 015003801-0001 * 11/2022

OTHER PUBLICATIONS

Amazon, Kemove P10 2-in-1 Switch Puller Keycap Puller for Mechanical Keyboard, Mar. 24, 2023, <https://tinyurl.com/3c8r3emy> (Year: 2023).*

Primary Examiner — Jennifer L Rempfer
Assistant Examiner — Olivia H Aldin

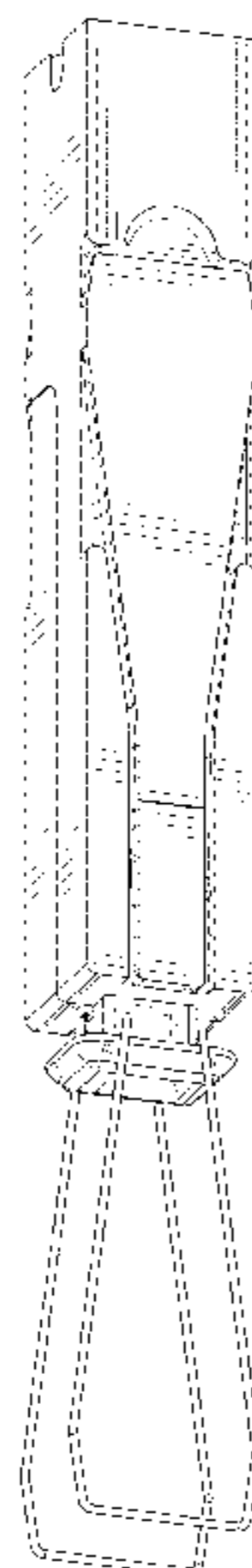
(57) **CLAIM**

The ornamental design for a keycap puller, as shown and described.

DESCRIPTION

FIG. 1 is a perspective view of a keycap puller showing my new design;
FIG. 2 is another perspective view thereof;
FIG. 3 is a front elevational view thereof;
FIG. 4 is a rear elevational view thereof;
FIG. 5 is a left side elevational view thereof;
FIG. 6 is a right side elevational view thereof;
FIG. 7 is a top plan view thereof;
FIG. 8 is a bottom plan view thereof; and,
FIG. 9 is an enlarged view of portion 9 shown in FIG. 1.
The broken lines in the drawings depict portions of the keycap puller that form no part of the claimed design.
The dash-dot-dash broken lines indicate the boundaries of the enlarged detail view, and form no part of the claimed design.

1 Claim, 9 Drawing Sheets



(56)

References Cited

U.S. PATENT DOCUMENTS

D608,170 S * 1/2010 Maddox D8/57
D760,567 S * 7/2016 Payne D8/51
D788,556 S * 6/2017 James D8/51
D946,368 S * 3/2022 Prior D8/51
2011/0173790 A1* 7/2011 Wang B25B 27/14
29/283
2017/0360232 A1* 12/2017 Windows, Jr. A47G 25/902
2018/0055179 A1* 3/2018 Salmon A45D 2/00
2018/0071518 A1* 3/2018 Drake A61B 17/00234

* cited by examiner

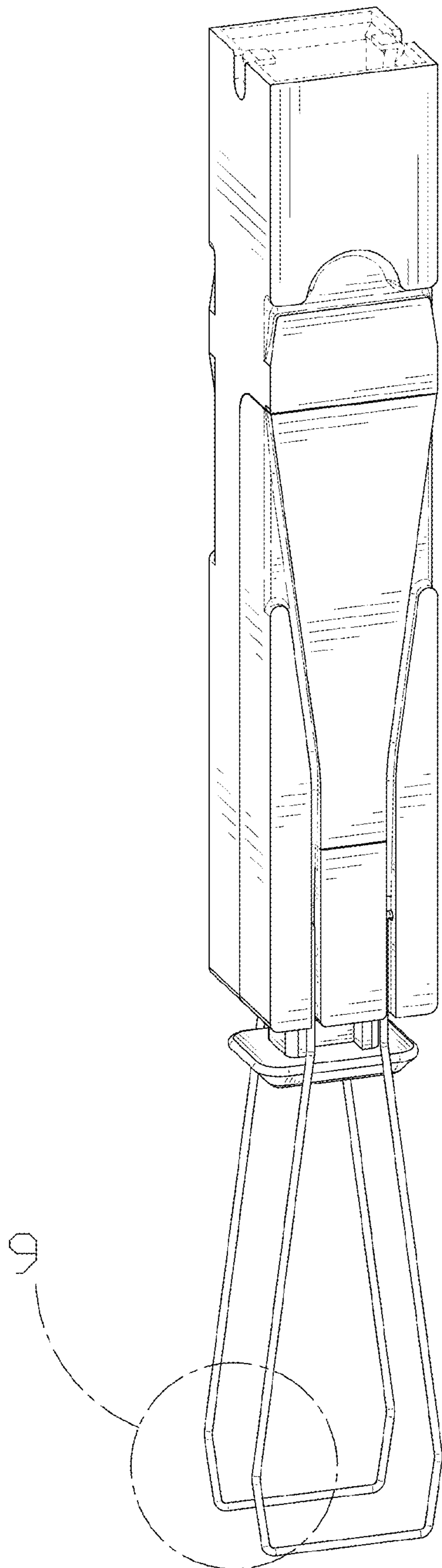


FIG. 1

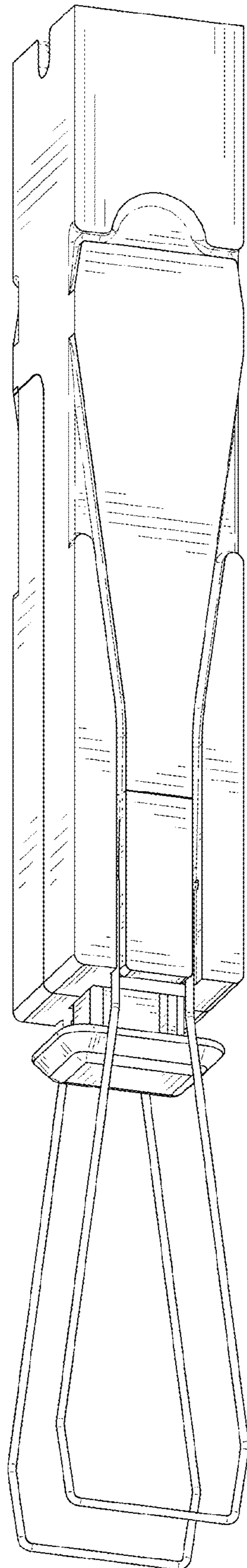


FIG. 2

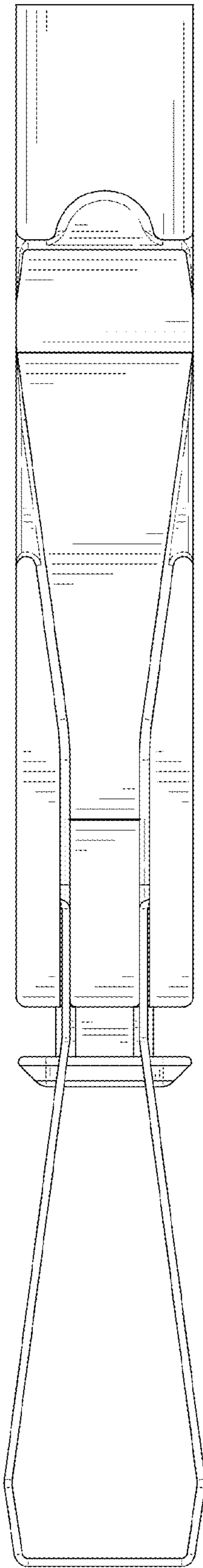


FIG. 3

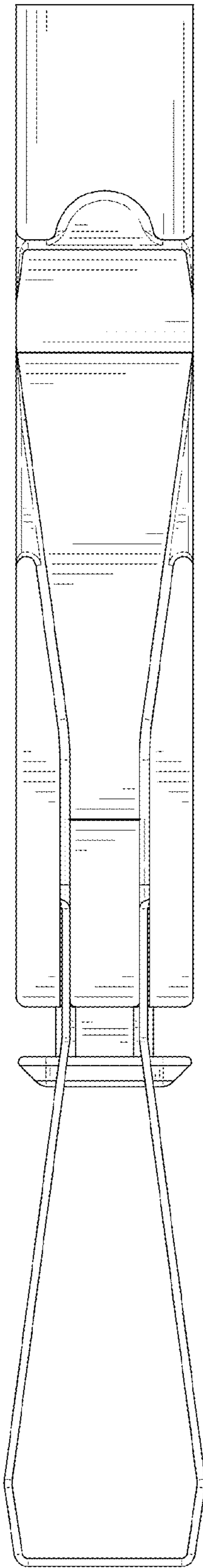


FIG. 4

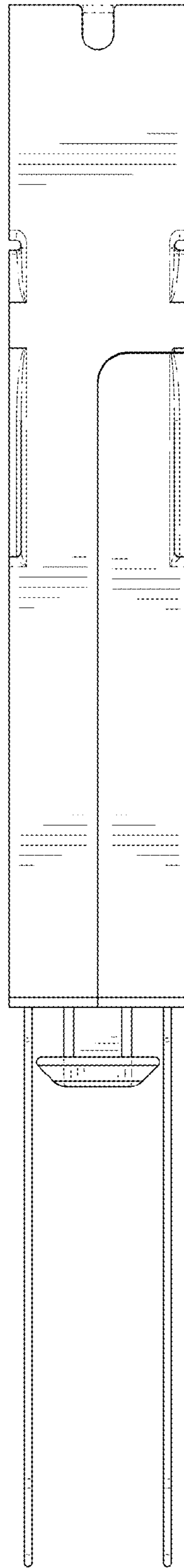


FIG. 5

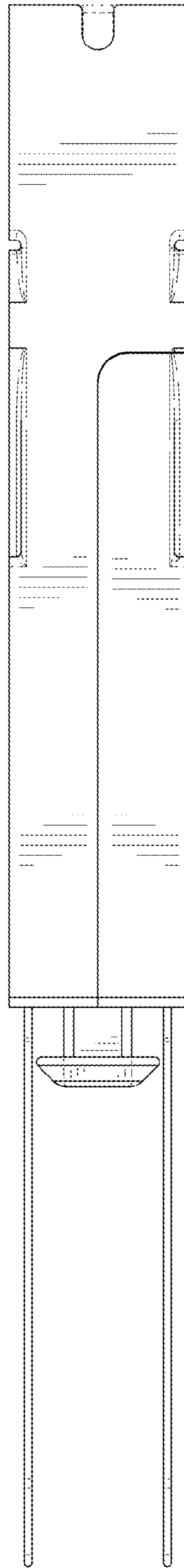


FIG. 6

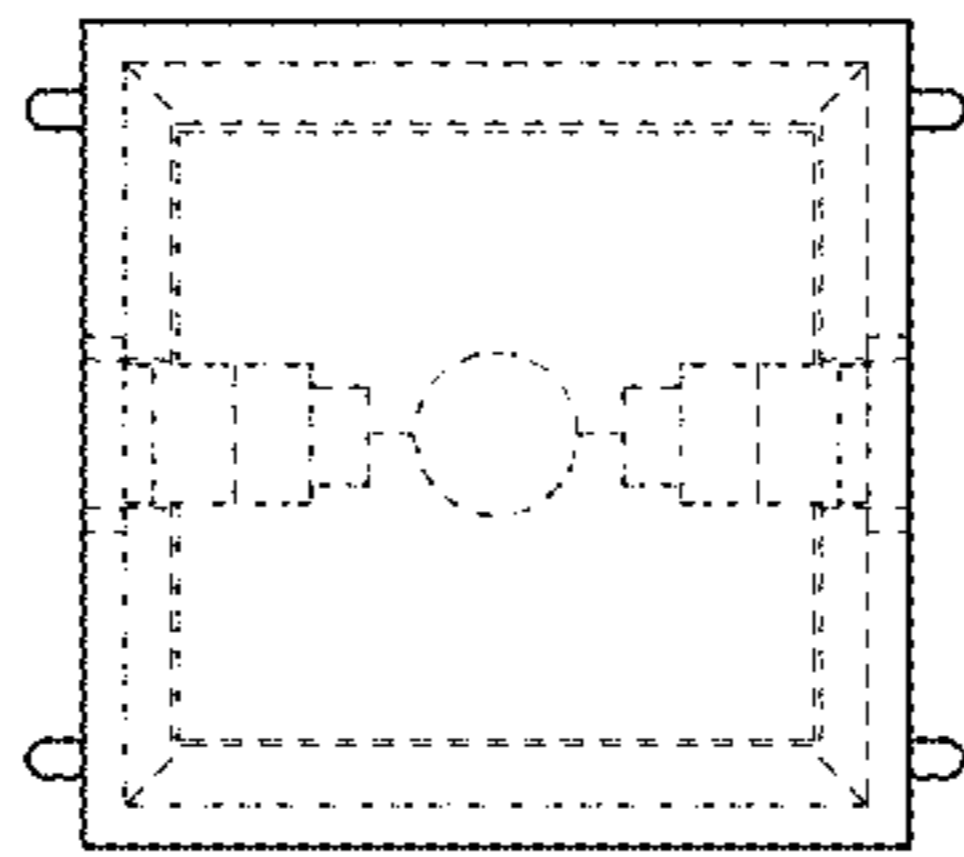


FIG. 7

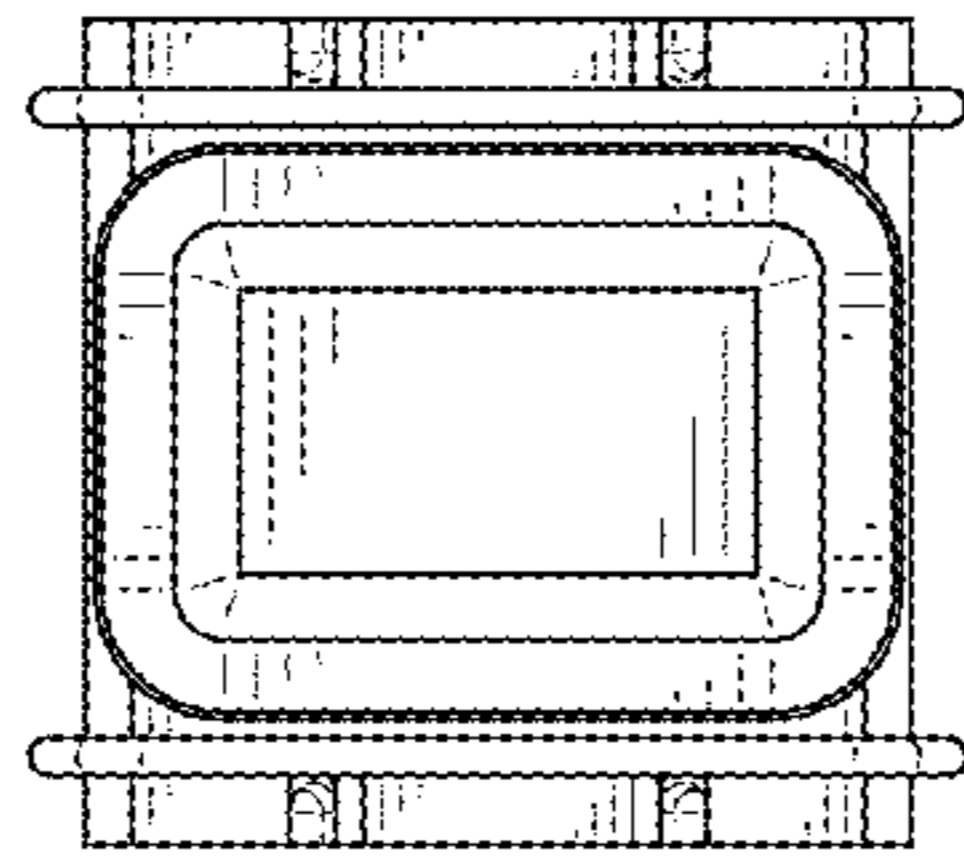


FIG. 8

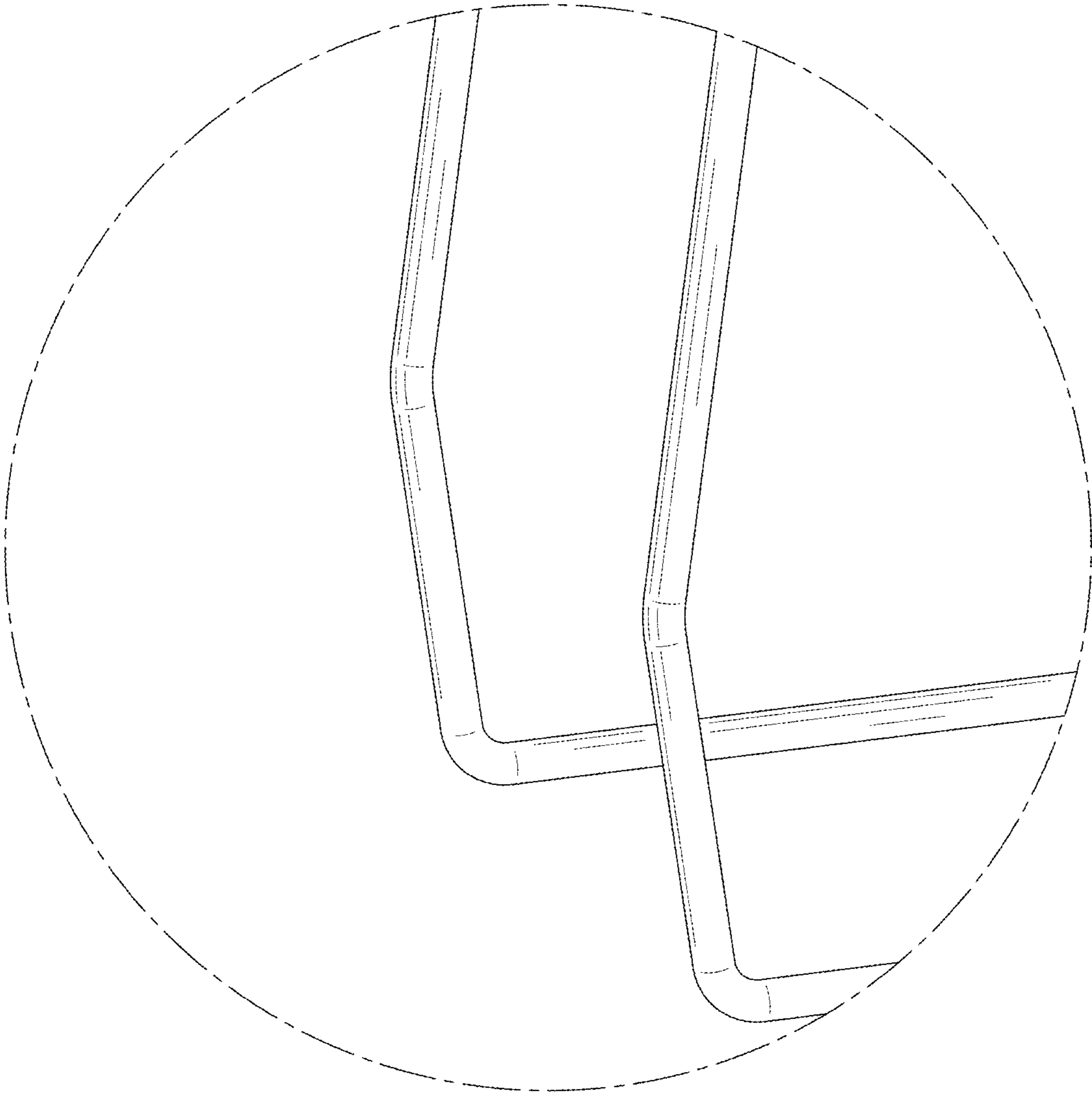


FIG. 9