



US0D1033159S

(12) **United States Design Patent** (10) **Patent No.:** **US D1,033,159 S**
Sanborn (45) **Date of Patent:** **** Jul. 2, 2024**

(54) **BAG**
(71) Applicant: **Christopher Sanborn**, Kilauea, HI (US)
(72) Inventor: **Christopher Sanborn**, Kilauea, HI (US)
(**) Term: **15 Years**
(21) Appl. No.: **29/819,143**
(22) Filed: **Dec. 13, 2021**
(51) **LOC (14) Cl.** **07-10**
(52) **U.S. Cl.**
USPC **D7/607; D7/608**
(58) **Field of Classification Search**
USPC D7/538, 601, 602, 605, 607, 612, 619.1, D7/624.2, 624.3, 629, 630, 703, 705, 709; D3/201, 232, 244, 254, 273, 285, 288, D3/289, 294, 300, 301, 302, 316, 904; D9/414, 420, 425, 426, 432, 600, 669, D9/703, 704, 705, 706, 707; D27/172
CPC A47J 47/14; A47J 47/02; A47J 47/145; A47J 47/0066; A47G 23/04; A47G 23/068; A47G 2023/0691; B65D 47/08; B65D 43/02; B65D 25/02; B65D 1/36; B65D 51/00; B65D 25/04; B65D 33/24; B65D 81/3897; B65D 81/3886; B65D 81/3865; A45C 3/06; A45C 3/00; A45C 5/08; A45C 11/24; A61J 9/08
See application file for complete search history.

1,895,278 A * 1/1933 Crawford B65D 81/3897 383/110
1,949,677 A * 3/1934 Crawford B65D 81/3886 383/110
D122,865 S * 10/1940 Frisk D9/706
(Continued)

FOREIGN PATENT DOCUMENTS

CN 306057484 * 9/2020
EM 007872791-0001 * 5/2020
GB 2062237 * 5/1997

OTHER PUBLICATIONS

[Momo Lifestyle Gallon Jug Sleeve], available in Amazon.com, date first available Apr. 16, 2021 [online], [site visited Sep. 8, 2023], available from the internet URL: <https://www.amazon.com/Momo-Lifestyle-Reversible-Gallon-Bottle/dp/B0944917NL> (Year: 2021).
(Continued)

Primary Examiner — Janice Patyk
Assistant Examiner — Ji Sun Yoon

(57) **CLAIM**

The ornamental design for a bag, as shown and described.

DESCRIPTION

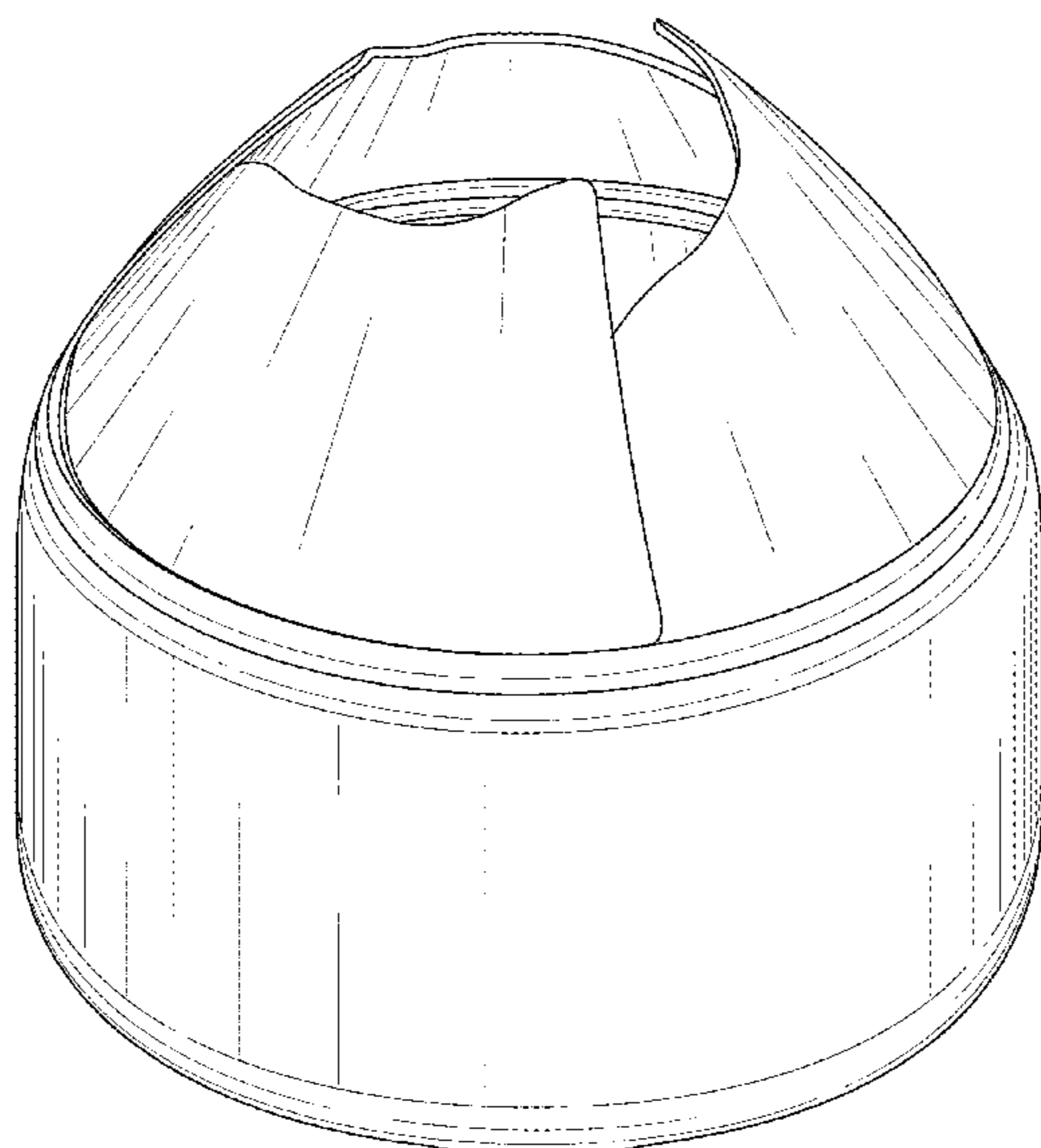
FIG. 1 is a top perspective view of a bag showing my new design;
FIG. 2 is a bottom perspective view thereof;
FIG. 3 is a front elevational view thereof;
FIG. 4 is a rear elevational view thereof;
FIG. 5 is a top plan view thereof;
FIG. 6 is a bottom view thereof;
FIG. 7 is a right-side elevational view thereof; and,
FIG. 8 is a left-side elevational view thereof.
The broken lines in the figures illustrate the portions of the bag and form no part of the claimed design.

1 Claim, 8 Drawing Sheets

(56) **References Cited**

U.S. PATENT DOCUMENTS

1,228,258 A * 5/1917 Sullivan B65D 33/24 383/81
1,406,505 A * 2/1922 Sims A45C 3/06 150/106
1,681,922 A * 8/1928 Boch A45C 3/00 5/490



(56)

References Cited

U.S. PATENT DOCUMENTS

2,490,222 A * 12/1949 Lowe A45C 5/08
190/127
2,522,381 A * 9/1950 Kramer A61J 9/08
215/11.6
D256,219 S * 8/1980 Miyazaki D9/414
D262,177 S * 12/1981 Swan D7/607
D280,703 S * 9/1985 Strobe D9/669
D334,706 S * 4/1993 Wotton D9/600
D380,945 S * 7/1997 Alegria D7/709
D397,273 S * 8/1998 Collie D7/607
D407,772 S * 4/1999 Evans D9/706
5,988,468 A * 11/1999 Murdoch A45C 11/24
224/675
6,073,796 A * 6/2000 Mogil B65D 81/3886
220/592.24
6,082,896 A * 7/2000 Pulli B65D 81/3897
383/110
D453,876 S * 2/2002 Moor D3/300
D536,526 S * 2/2007 Leighton D3/316
D544,312 S * 6/2007 Dill-Schmidt D7/624.3
D571,102 S * 6/2008 Gostt D3/244
D584,146 S * 1/2009 Lown D7/619.1
D605,900 S * 12/2009 Bodum D7/624.2
D650,635 S * 12/2011 Luo D7/607
D686,886 S * 7/2013 Meyers D7/629
D705,611 S * 5/2014 Britt B65D 81/3865
D7/607

9,265,318 B1 2/2016 Williams
D757,436 S * 5/2016 Hutchinson D3/288
D776,339 S * 1/2017 Rutherford D27/172
D784,090 S * 4/2017 Mellentine D7/624.2
D810,435 S * 2/2018 Hoppe D3/904
D838,604 S * 1/2019 Akhundov D9/703
10,442,600 B2 10/2019 Waltermire
10,604,304 B2 3/2020 Waltermire
D880,255 S * 4/2020 Randall D7/624.2
D944,095 S * 2/2022 Aristotelous D9/706
D955,751 S * 6/2022 Coughlan D3/254
D957,131 S * 7/2022 Lin D3/289
D970,217 S * 11/2022 Wu D3/285
2008/0047956 A1 * 2/2008 Dudman A47J 47/145
219/385
2018/0319569 A1 11/2018 McGoff

OTHER PUBLICATIONS

[2nd WND Fitness 1 Gallon Blue Neoprene Insulating Sleeve], available in Amazon.com, date first available Sep. 20, 2020 [online], [site visited Sep. 8, 2023], available from the internet URL: <https://www.amazon.com/2ND-WND-Neoprene-Insulating-Magnetic/dp/B0BF58131B> (Year: 2020).*
Yeti, Hopper Backflip, Retrieved from Internet, Retrieved on Oct. 26, 2020 <URL: https://www.yeti.com/en_US/coolers/soft-coolers/backpack/YHOPBF24.html>.

* cited by examiner

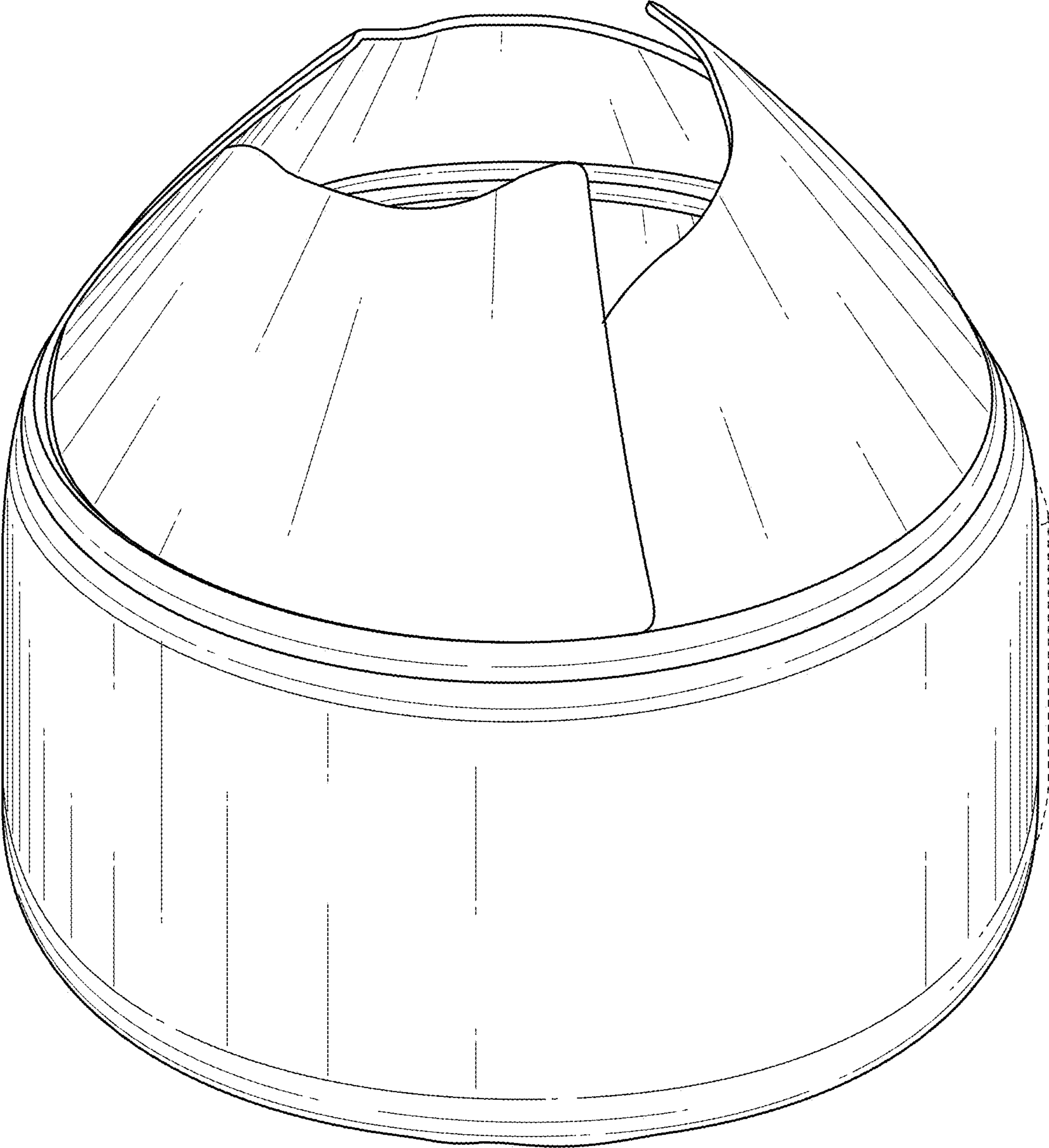


FIG. 1

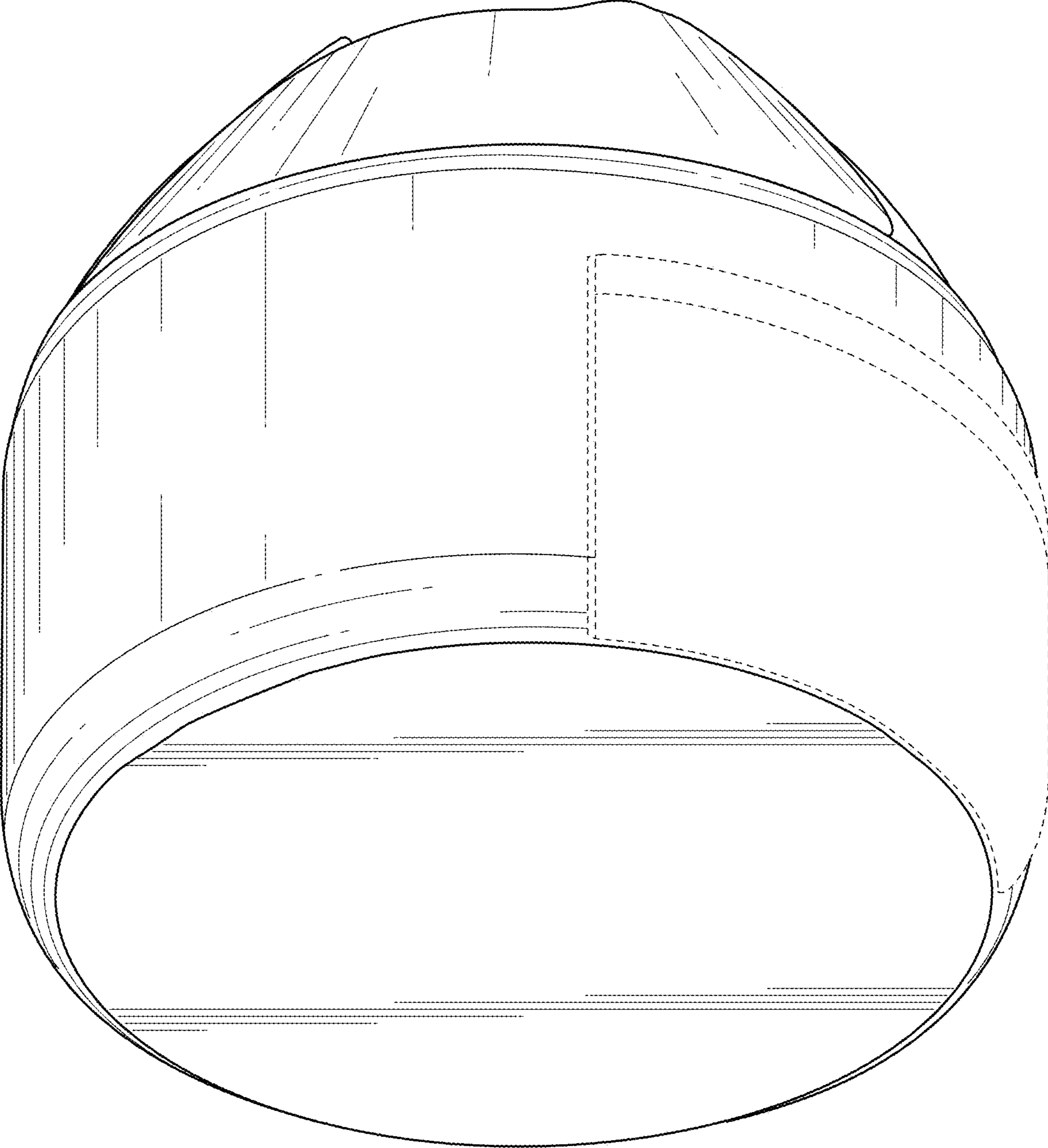


FIG. 2

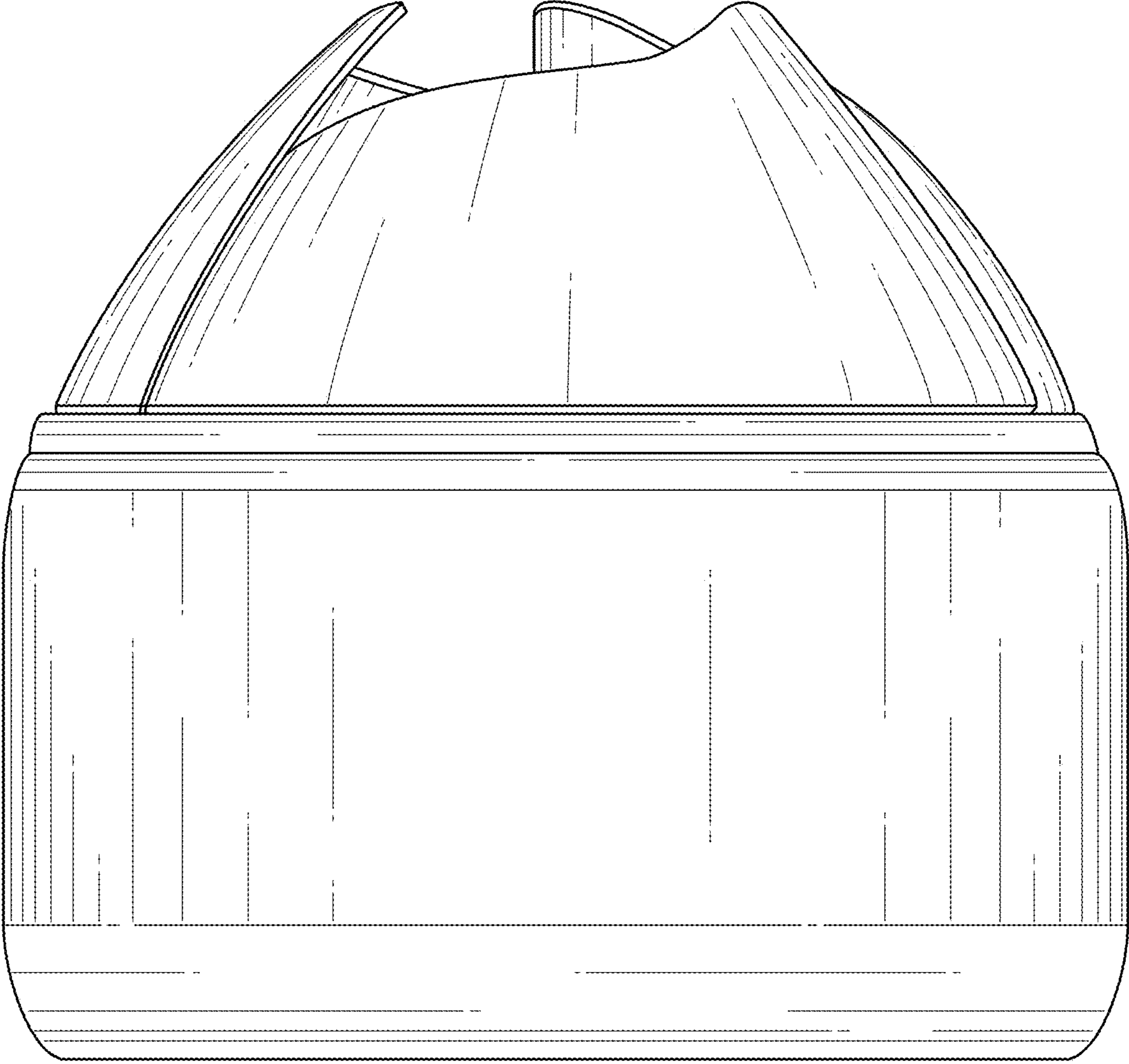


FIG. 3

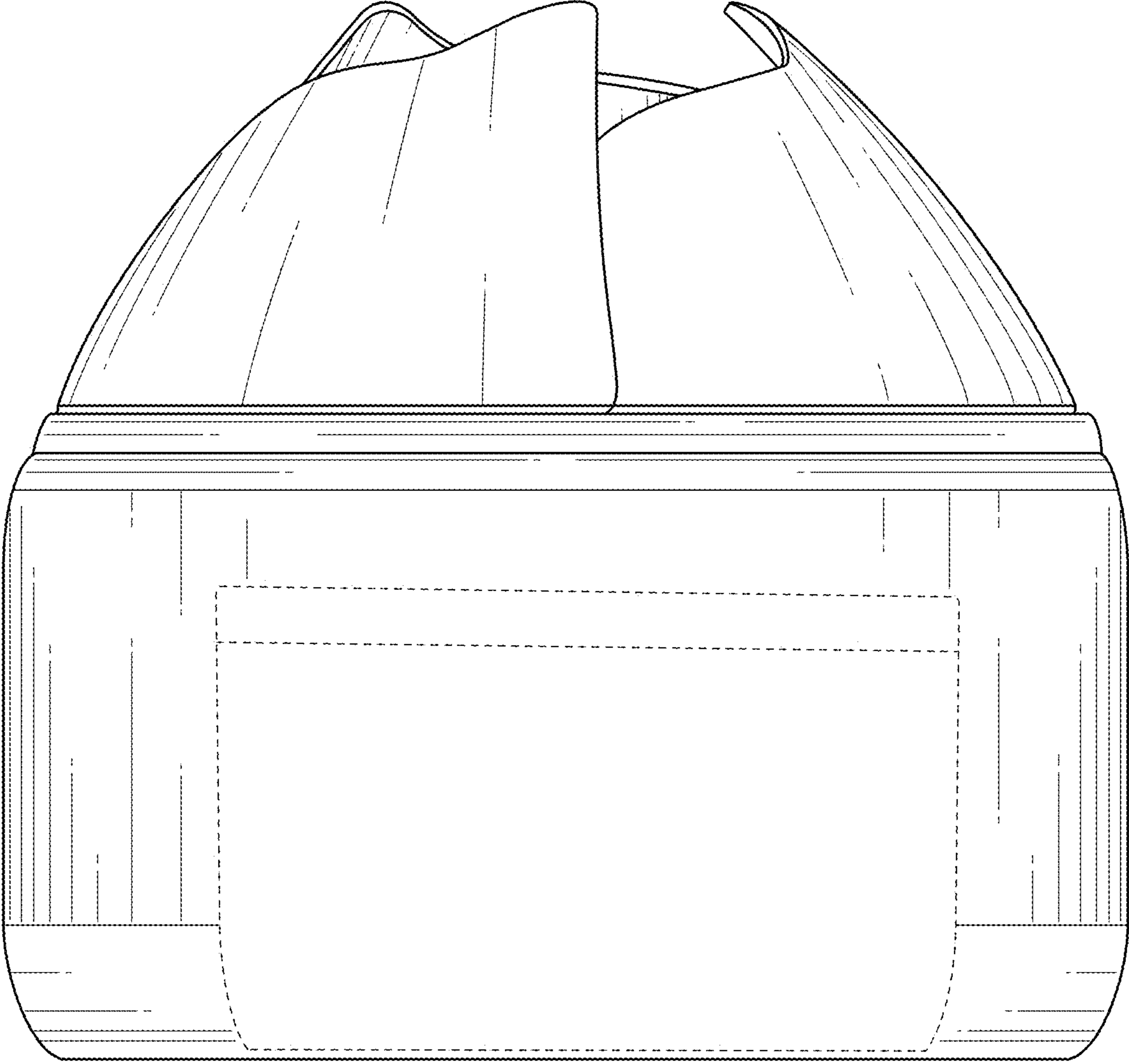


FIG. 4

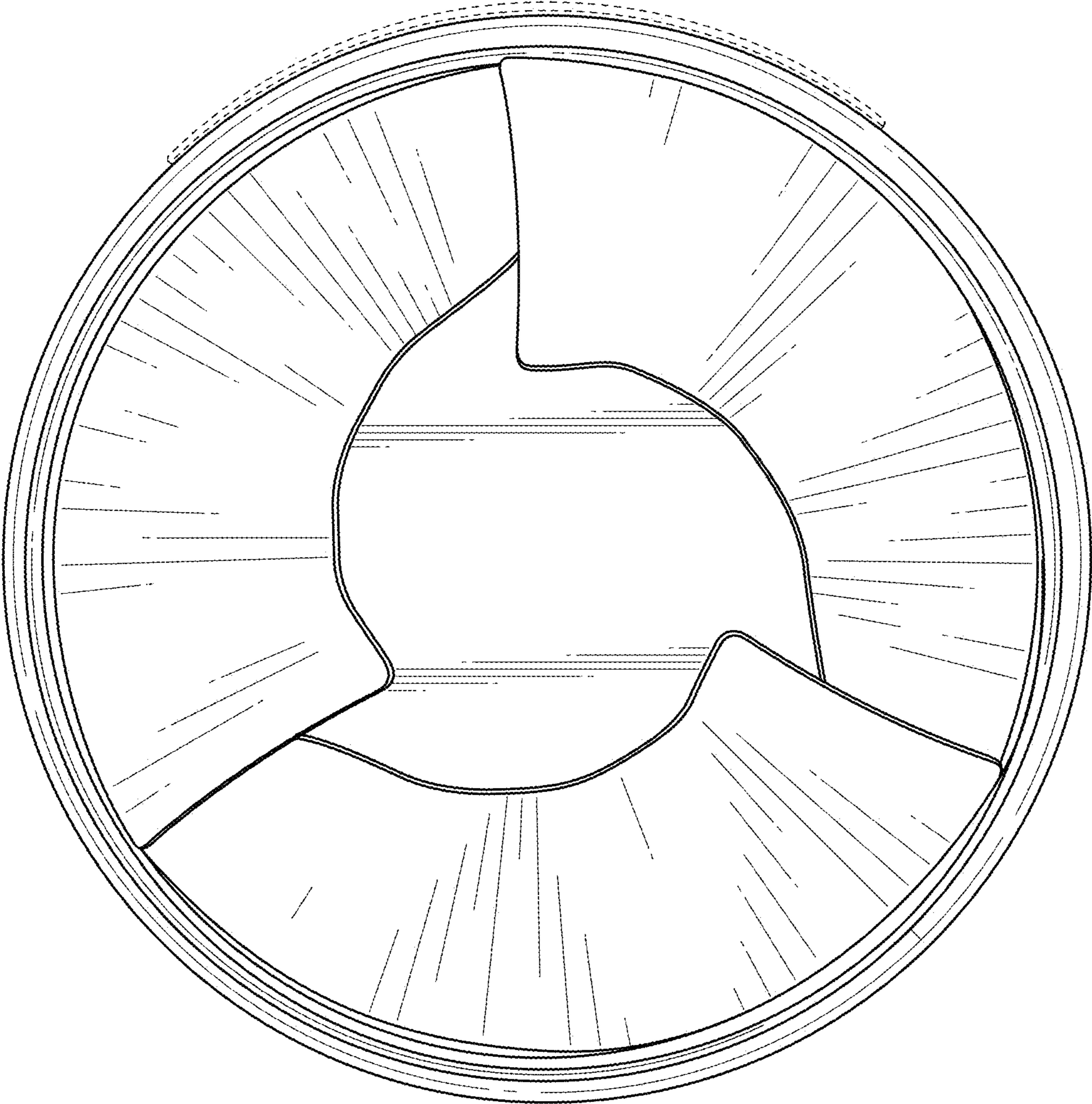


FIG. 5

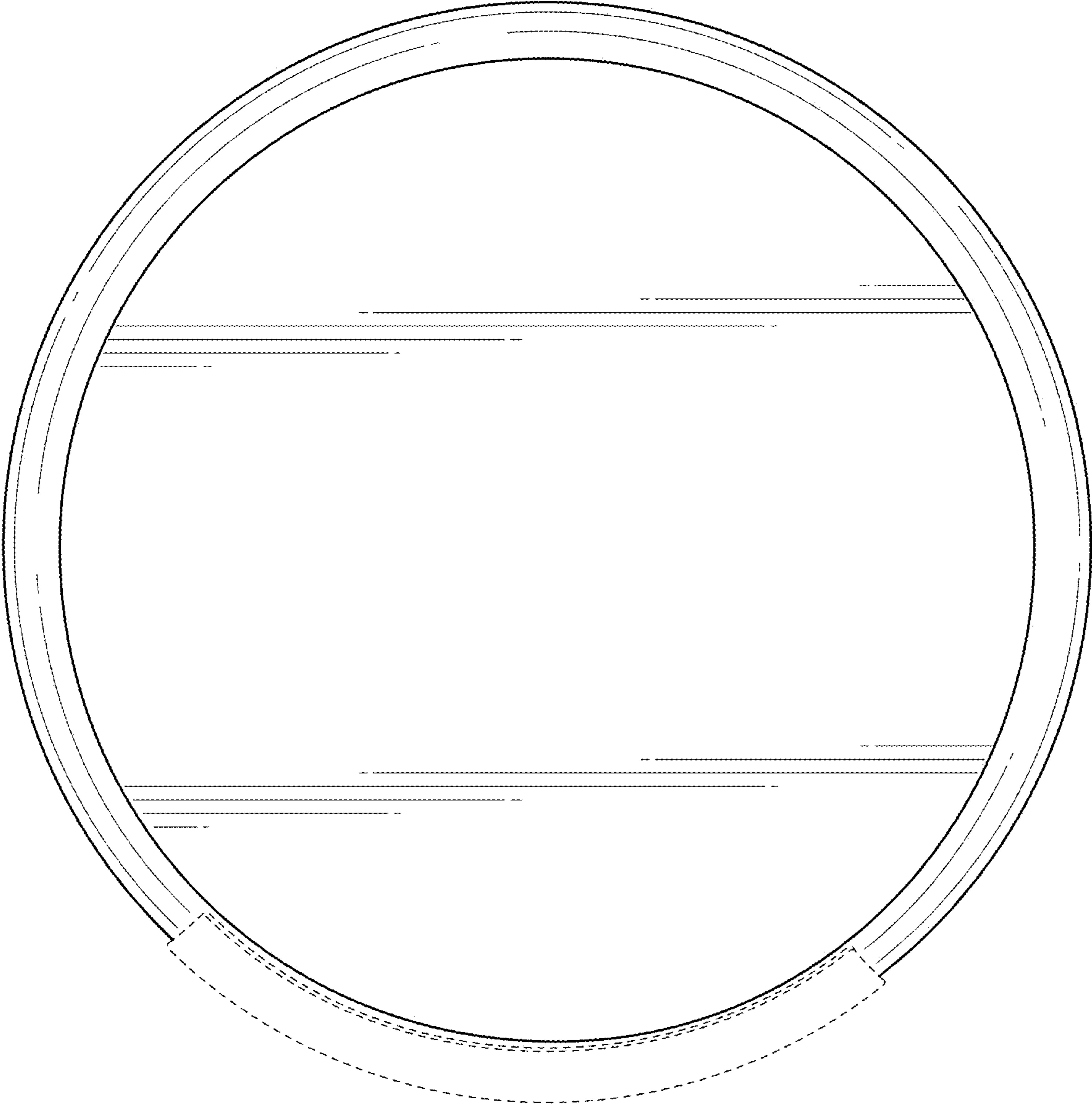


FIG. 6

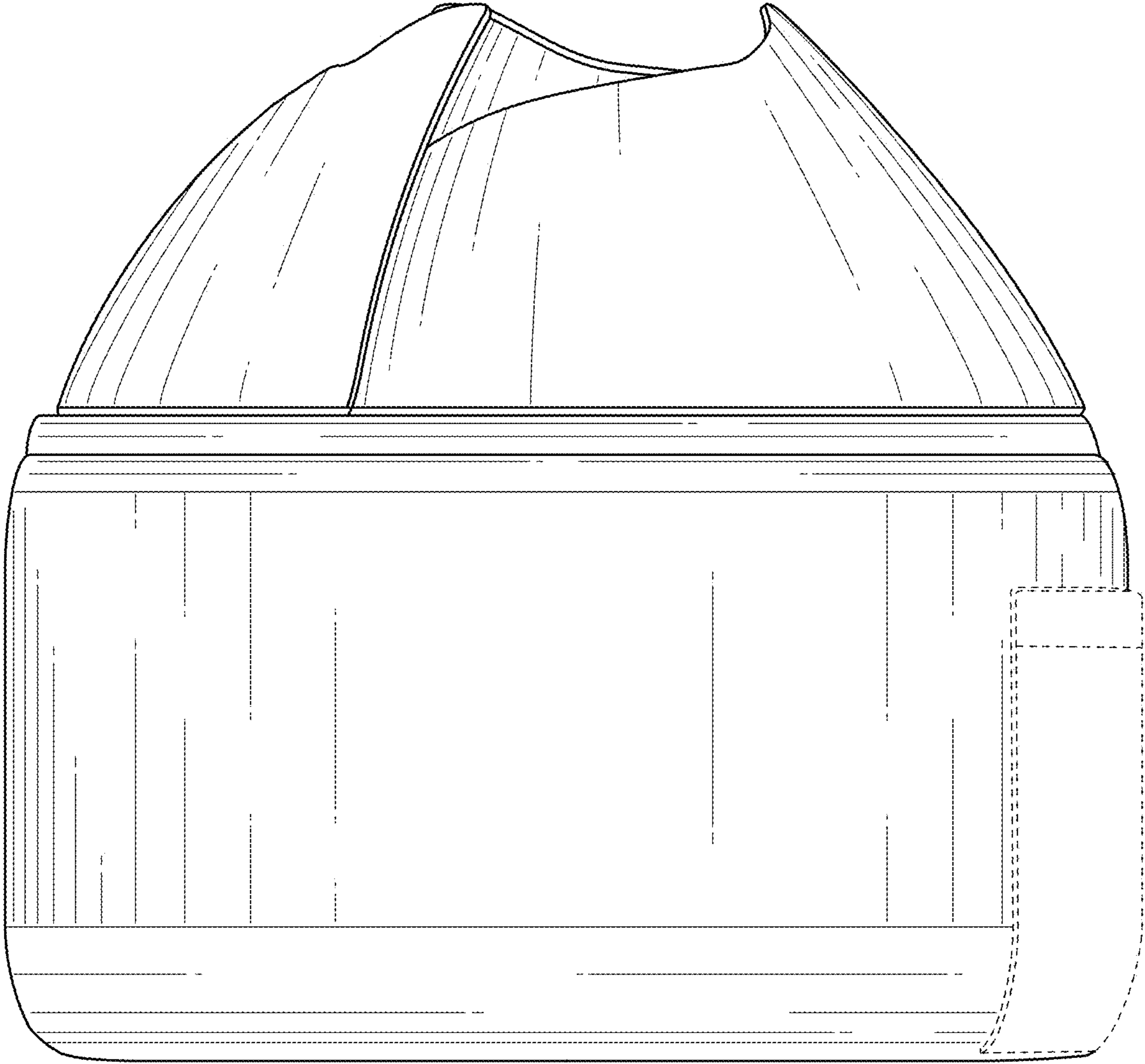


FIG. 7

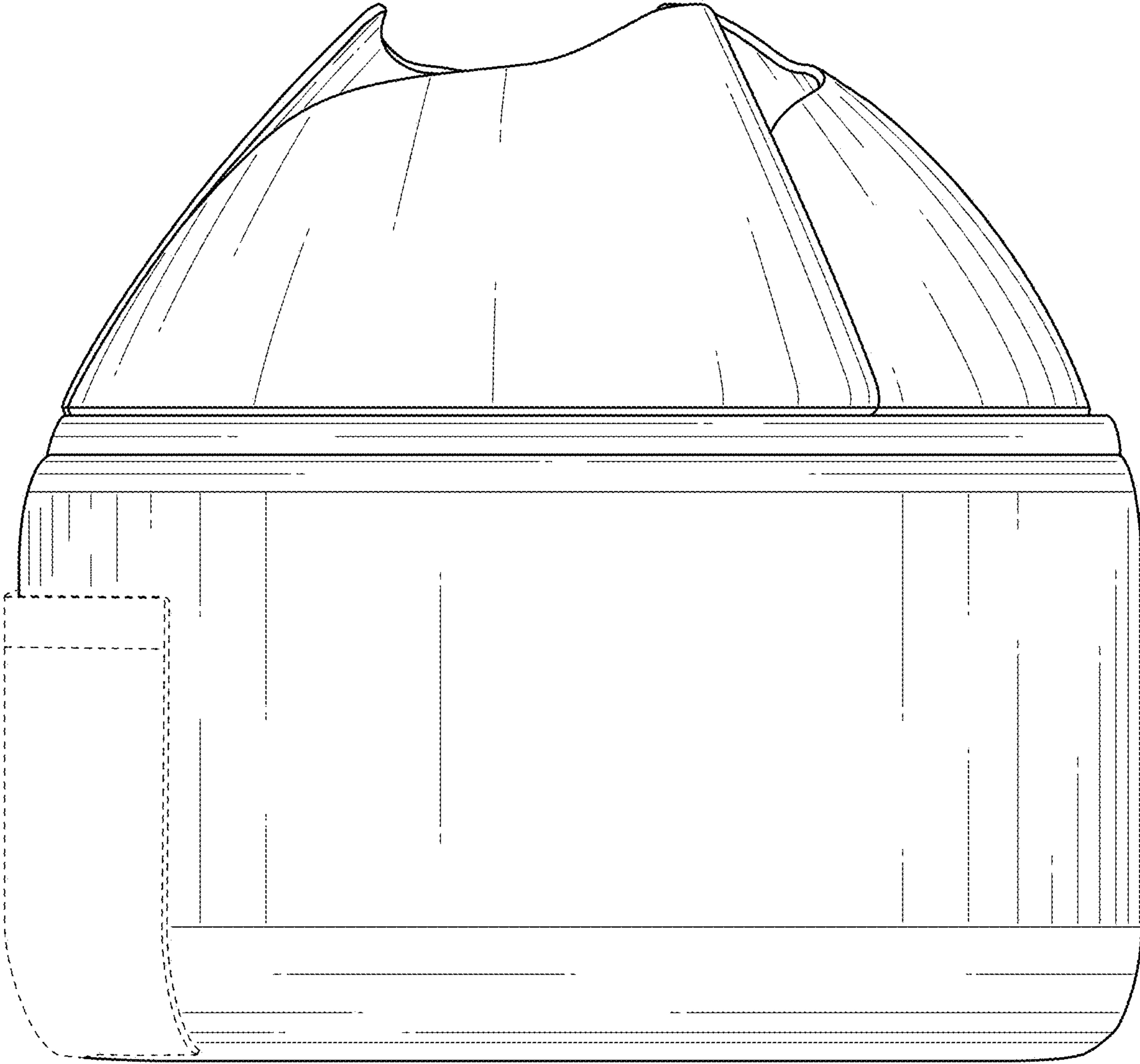


FIG. 8