



US0D1033158S

(12) **United States Design Patent** (10) **Patent No.: US D1,033,158 S**  
**Nichols et al.** (45) **Date of Patent: \*\* Jul. 2, 2024**

(54) **CONTAINER ACCESSORIES**

(71) Applicant: **YETI Coolers, LLC**, Austin, TX (US)  
(72) Inventors: **Steve Charles Nichols**, Austin, TX (US); **Andy Bondhus**, Austin, TX (US); **Tobias Hotchkiss**, Austin, TX (US); **Mark Carlson Rane**, Austin, TX (US); **John Loudenslager**, Austin, TX (US); **Derek G. Sullivan**, Austin, TX (US)

(73) Assignee: **YETI Coolers, LLC**, Austin, TX (US)

(\*\*) Term: **15 Years**

(21) Appl. No.: **29/844,893**

(22) Filed: **Jul. 1, 2022**

**Related U.S. Application Data**

(63) Continuation of application No. 29/795,314, filed on Jun. 17, 2021, now Pat. No. Des. 959,208, which is a (Continued)

(51) **LOC (14) Cl.** ..... **07-01**

(52) **U.S. Cl.**  
USPC ..... **D7/605**; D3/308

(58) **Field of Classification Search**

USPC ..... D7/605-607, 629, 630, 709, 710; D3/272-274, 283, 289, 301, 304, D3/307-314; D32/53  
CPC ..... A45C 11/20; A45C 3/00; A45C 2003/008; F25D 2331/804; F25D 2331/801; F25D 3/08; F25D 3/02; F25D 3/04; F25D 3/06; F25D 3/14; F25D 3/107; B65D 81/38; B65D 81/3813; B65D 81/3816; B65D 81/3818; B65D 81/382; B65D 81/3823; B65D 81/3825; B65D 81/3827; B65D 81/383; B65D 81/3832; B65D 81/3834; B65D 81/3848; B65D 81/3851; B65D 81/3853; B65D 81/3855; B65D 81/3858;

(Continued)

(56) **References Cited**

U.S. PATENT DOCUMENTS

286,909 A 10/1883 Commander  
749,959 A 1/1904 Curtiss  
(Continued)

FOREIGN PATENT DOCUMENTS

BE 1013040 A3 8/2001  
BE 1016429 A3 10/2006  
(Continued)

OTHER PUBLICATIONS

Jan. 6, 2023—(CA) Office Action—App. No. 204258.  
(Continued)

*Primary Examiner* — Terry A Wallace

(74) *Attorney, Agent, or Firm* — Banner & Witcoff, Ltd.

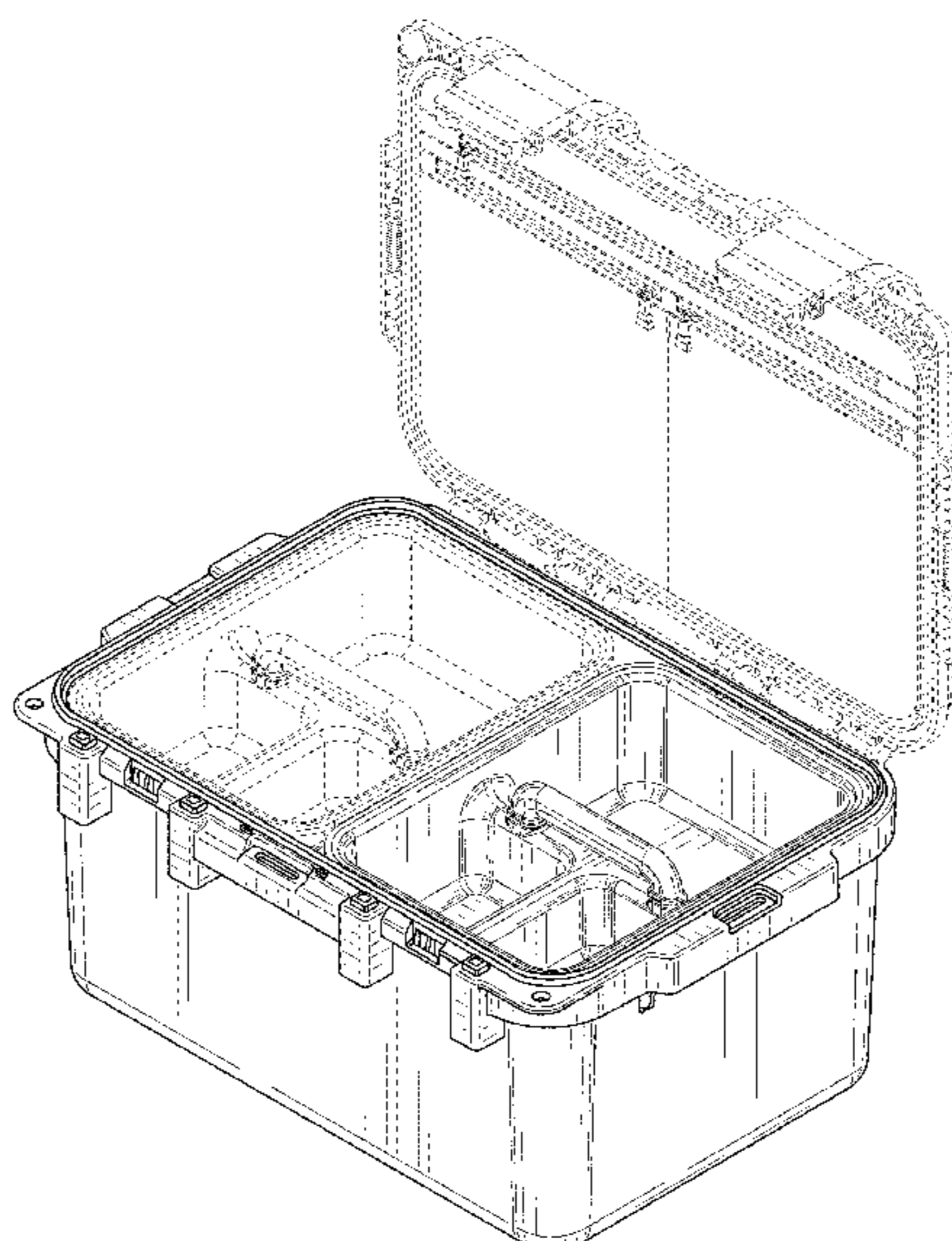
(57) **CLAIM**

The ornamental design for container accessories, as shown and described.

**DESCRIPTION**

FIG. 1 is a top, front, right perspective view of container accessories showing our new design; FIG. 2 is a front view thereof; FIG. 3 is a top view thereof; FIG. 4 is a left side view thereof; FIG. 5 is a right side view thereof; and, FIG. 6 is a top, front, right perspective exploded view of a container accessories showing our new design. The broken lines immediately adjacent to the shaded area define the bounds of the claimed design and form no part thereof. The broken lines depicting the remainder of the container accessories form no part of the claimed design.

**1 Claim, 6 Drawing Sheets**



**Related U.S. Application Data**

continuation of application No. 29/757,384, filed on Nov. 5, 2020, now Pat. No. Des. 929,814, which is a continuation of application No. 29/673,074, filed on Dec. 11, 2018, now Pat. No. Des. 907,445.

(58) **Field of Classification Search**

CPC .... B65D 81/386; B65D 81/3862; B65D 1/34; B65D 25/2891; B25H 3/00; B25H 3/023; B25H 3/06; A47K 3/001; A47L 13/51; B44D 3/04; B44D 3/125

See application file for complete search history.

(56)

**References Cited**

U.S. PATENT DOCUMENTS

1,008,041 A 11/1911 Leonard  
 1,056,648 A 3/1913 Earley  
 2,028,339 A 1/1936 Levine et al.  
 2,101,337 A 12/1937 Komenak  
 2,109,928 A 3/1938 Passalacqua  
 2,183,121 A 12/1939 Levine  
 2,439,660 A 4/1948 Keil  
 2,455,069 A 11/1948 Launder  
 2,472,491 A 6/1949 Quinton  
 2,510,643 A 6/1950 Long  
 2,565,939 A 8/1951 Wriston  
 2,574,089 A 11/1951 Cochran  
 2,577,951 A 12/1951 Cortsen  
 2,581,417 A 1/1952 Jones  
 2,604,961 A 7/1952 Koch  
 2,647,653 A 8/1953 Dube  
 2,717,093 A 9/1955 Mautner  
 2,747,732 A 5/1956 Fischer  
 2,803,956 A 8/1957 Womer  
 2,874,401 A 2/1959 Kotkins  
 2,912,080 A 11/1959 Ikelheimer  
 2,931,205 A 4/1960 Schmitz  
 2,936,189 A 5/1960 Pearson  
 3,009,193 A 11/1961 Lifton  
 3,057,636 A 10/1962 D'Ettorre  
 3,141,680 A 7/1964 McCord  
 3,191,244 A 6/1965 Burke  
 3,202,310 A 8/1965 Tibbets  
 3,225,983 A 12/1965 Majka  
 3,250,558 A 5/1966 McClintock  
 3,259,412 A 7/1966 Wheeler  
 3,416,701 A 12/1968 Kramer et al.  
 3,432,025 A 3/1969 Luhe  
 3,464,579 A 9/1969 Asenbauer  
 3,519,298 A 7/1970 Gley  
 3,565,305 A 2/1971 Belokin, Jr.  
 3,642,168 A 2/1972 Wiley, Jr. et al.  
 3,656,650 A 4/1972 Frater  
 3,661,410 A 5/1972 Larson et al.  
 3,688,942 A 9/1972 Mitchell et al.  
 3,690,708 A 9/1972 Worley et al.  
 3,741,433 A 6/1973 Bentley et al.  
 3,831,224 A 8/1974 MacMaster et al.  
 3,847,423 A 11/1974 Gley  
 3,861,504 A 1/1975 McGraw  
 3,882,914 A 5/1975 Strutz  
 3,886,625 A 6/1975 Rollband  
 3,902,628 A 9/1975 Schurman  
 3,915,362 A 10/1975 Hart  
 3,917,038 A 11/1975 Foge et al.  
 3,933,269 A 1/1976 Mastrovito  
 3,955,656 A 5/1976 Kashinski  
 3,987,829 A 10/1976 Leone  
 3,991,921 A 11/1976 Hirsch  
 4,094,392 A 6/1978 Gregg et al.  
 4,095,711 A 6/1978 Conley  
 4,116,479 A 9/1978 Poe  
 4,143,442 A 3/1979 Harlang  
 4,153,178 A 5/1979 Weavers  
 4,184,705 A 1/1980 Little

D256,630 S 9/1980 Maney  
 D257,218 S 10/1980 Eriksson  
 4,249,760 A 2/1981 Conley  
 4,254,850 A 3/1981 Knowles  
 4,273,223 A 6/1981 Tomlinson  
 4,343,412 A 8/1982 Wilcox et al.  
 4,351,165 A 9/1982 Gottsegen et al.  
 4,446,705 A 5/1984 Loucks  
 4,465,189 A 8/1984 Molzan  
 4,476,988 A 10/1984 Tanner  
 4,509,622 A 4/1985 Morszeck  
 4,515,421 A \* 5/1985 Steffes ..... A45C 15/00  
 312/351  
 4,516,686 A 5/1985 Chaussepied  
 4,522,312 A 6/1985 Rathgeber et al.  
 4,523,692 A 6/1985 Lemkin  
 4,550,813 A 11/1985 Browning  
 4,561,526 A 12/1985 Winter et al.  
 4,573,202 A 2/1986 Lee  
 4,575,109 A 3/1986 Cowdery  
 D283,666 S 5/1986 Holzkopf  
 4,592,482 A 6/1986 Seager  
 4,615,464 A 10/1986 Byrns  
 4,662,188 A 5/1987 Hullivan  
 4,673,207 A 6/1987 Reynolds et al.  
 D290,908 S 7/1987 Thomas  
 4,706,344 A 11/1987 Tanaka et al.  
 4,707,011 A 11/1987 McKim, Jr.  
 4,712,657 A 12/1987 Myers et al.  
 4,746,008 A 5/1988 Heverly et al.  
 4,768,815 A 9/1988 Harmon  
 4,775,072 A 10/1988 Lundblade et al.  
 4,792,024 A 12/1988 Morton et al.  
 4,802,344 A 2/1989 Livingston et al.  
 4,805,272 A 2/1989 Yamaguchi  
 4,826,060 A 5/1989 Hollingsworth  
 4,858,444 A 8/1989 Scott  
 4,873,841 A 10/1989 Bradshaw et al.  
 4,899,904 A 2/1990 Dooley et al.  
 4,904,007 A 2/1990 Woodruff  
 4,917,261 A 4/1990 Borst  
 4,928,800 A 5/1990 Green et al.  
 4,930,649 A 6/1990 Moser  
 4,975,073 A 12/1990 Weisman  
 4,982,863 A 1/1991 Skillius  
 5,011,013 A 4/1991 Meisner et al.  
 5,011,020 A 4/1991 Stevens et al.  
 5,014,830 A 5/1991 Seynhaeve  
 5,024,471 A 6/1991 Kahl et al.  
 5,040,834 A 8/1991 Kahl et al.  
 5,044,513 A 9/1991 Van Berne  
 5,062,557 A 11/1991 Mahvi et al.  
 5,075,925 A 12/1991 Maloney  
 5,080,250 A 1/1992 Dickinson et al.  
 5,096,030 A 3/1992 Espinosa et al.  
 5,101,541 A 4/1992 Watanabe  
 5,105,920 A 4/1992 Grebenstein  
 5,111,920 A 5/1992 Castelli et al.  
 D327,427 S \* 6/1992 McCooley ..... D9/722  
 5,117,952 A 6/1992 Suh  
 D328,186 S 7/1992 Hanke  
 5,139,294 A 8/1992 Ward et al.  
 D329,135 S 9/1992 Embree  
 5,153,561 A 10/1992 Johnson  
 5,165,583 A 11/1992 Kouwenberg  
 5,167,433 A 12/1992 Ryan  
 5,169,018 A 12/1992 Fiore  
 D333,775 S 3/1993 Krape  
 D334,870 S 4/1993 Griffin  
 D335,030 S 4/1993 Alfonso  
 5,205,413 A 4/1993 Cautereels et al.  
 5,213,381 A 5/1993 Anderson  
 5,216,905 A 6/1993 Sersch et al.  
 5,235,830 A 8/1993 Benge  
 D340,167 S 10/1993 Kahl  
 D342,609 S 12/1993 Brightbill  
 5,269,157 A 12/1993 Ciminelli et al.  
 5,282,706 A 2/1994 Anthony et al.  
 5,295,369 A 3/1994 Garcia

(56)

References Cited

U.S. PATENT DOCUMENTS

D347,114 S	5/1994	Tengvall	5,755,311 A	5/1998	Younessian et al.
5,313,817 A	5/1994	Meinders	5,762,242 A	6/1998	Yost
D347,971 S	6/1994	Krugman	5,762,411 A	6/1998	Yemini
D348,343 S	6/1994	Lang-Ree et al.	5,769,194 A	6/1998	Chang
5,319,937 A	6/1994	Fritsch et al.	5,797,488 A	8/1998	Yemini
5,322,178 A	6/1994	Foos	5,797,617 A	8/1998	Lin
5,335,451 A	8/1994	Druzynski	5,803,472 A	9/1998	Lien
D351,533 S	10/1994	Lynam, Jr.	5,813,503 A	9/1998	Chang
D351,726 S	10/1994	Lin	5,816,185 A	10/1998	Ruthrford
5,353,946 A	10/1994	Behrend	5,823,550 A	10/1998	Bennett et al.
5,358,082 A	10/1994	Armstrong, IV	5,826,718 A	10/1998	Ahern, Jr. et al.
D353,265 S	12/1994	Newby, Sr.	5,826,770 A	10/1998	Chuang
5,373,708 A	12/1994	Dumoulin, Jr.	5,829,558 A	11/1998	Cheng
D355,568 S	2/1995	Paulin et al.	5,839,553 A	11/1998	Dorsam
5,390,811 A	2/1995	Ogino et al.	5,860,281 A	1/1999	Coffee et al.
5,398,807 A	3/1995	Plath	5,865,281 A	2/1999	Wang
5,402,557 A	4/1995	Dalen	5,875,948 A	3/1999	Sadler
D358,765 S	5/1995	Dickinson et al.	5,876,048 A	3/1999	Lee
5,419,432 A	5/1995	Ingram	5,887,745 A	3/1999	Wood
5,423,644 A	6/1995	First, Sr.	5,896,962 A	4/1999	Smith et al.
5,427,308 A	6/1995	Swift et al.	5,901,571 A	5/1999	Whaley
D359,836 S	7/1995	Shuler	5,904,269 A	5/1999	Wolff
5,431,263 A	7/1995	Nordstrom	D410,387 S	6/1999	Jacques
5,435,256 A	7/1995	Svehaug	5,924,303 A	7/1999	Hodosh
D361,664 S	8/1995	Brown	5,933,929 A	8/1999	Kawakami et al.
D361,888 S	9/1995	Kahl et al.	5,934,716 A	8/1999	Koveal et al.
5,454,477 A	10/1995	Bornhorst et al.	5,940,940 A	8/1999	Tanikoshi et al.
D364,426 S	11/1995	Bucaccio	5,950,368 A	9/1999	Bradford
5,465,985 A	11/1995	Devan et al.	5,956,805 A	9/1999	Huang
5,474,162 A	12/1995	Shyr et al.	5,957,321 A	9/1999	Jones
5,478,097 A	12/1995	Forma	D414,673 S	10/1999	Dickinson et al.
D367,360 S	2/1996	Wolff	5,971,218 A	10/1999	Le
D368,161 S	3/1996	Miller	5,975,334 A	11/1999	Mayo
D369,342 S	4/1996	Williams	5,984,064 A	11/1999	Byington
D369,695 S	5/1996	Imotani	5,984,326 A	11/1999	Abraham et al.
5,518,139 A	5/1996	Trower et al.	5,984,382 A	11/1999	Bourne et al.
5,519,919 A	5/1996	Lee	5,988,658 A	11/1999	Ritchie et al.
D370,619 S	6/1996	Hall et al.	6,015,072 A	1/2000	Young
D371,051 S	6/1996	Melk	D419,767 S	2/2000	Richardson et al.
D371,052 S	6/1996	Melk	D419,768 S	2/2000	Richardson et al.
5,524,737 A	6/1996	Wang	D420,221 S *	2/2000	Williams ..... D3/315
5,526,953 A	6/1996	Chieng	6,039,205 A	3/2000	Flink
D371,724 S	7/1996	Melk	6,047,976 A *	4/2000	Wang ..... A45C 11/20 280/37
D371,942 S	7/1996	Lippincott et al.	6,050,373 A	4/2000	Wonka et al.
5,533,231 A	7/1996	Bai	D425,301 S	5/2000	Sagol
D373,514 S	9/1996	Melk	6,070,888 A	6/2000	Wang
D373,515 S	9/1996	Melk	6,079,083 A	6/2000	Akashi
5,564,805 A	10/1996	Dickinson	6,079,754 A	6/2000	Alexy
5,568,848 A	10/1996	Liang	D427,767 S	7/2000	Young
5,570,915 A	11/1996	Asadurian	D427,882 S	7/2000	Wytcherley et al.
5,575,362 A	11/1996	Franklin et al.	D428,254 S	7/2000	Alexander-Katz
5,590,891 A	1/1997	Kazmark, Jr.	D428,698 S	8/2000	Cheng
5,603,545 A	2/1997	Benson et al.	6,105,767 A	8/2000	Vasudeva
5,620,212 A	4/1997	Bourne et al.	6,129,231 A	10/2000	Hsiao et al.
5,620,213 A	4/1997	Ellis	6,135,253 A	10/2000	Weissman et al.
5,626,373 A	5/1997	Chambers et al.	6,152,501 A	11/2000	Magi et al.
5,630,630 A	5/1997	Price et al.	D435,780 S	1/2001	Tieu
D380,369 S	7/1997	Antonucci	6,167,994 B1	1/2001	Kuo et al.
D381,512 S	7/1997	Green	6,170,122 B1	1/2001	Kuo
D381,562 S *	7/1997	Westcott ..... D7/600	6,176,499 B1	1/2001	Conrado et al.
D381,871 S	8/1997	Melk	6,176,559 B1	1/2001	Tiramani et al.
D382,114 S	8/1997	Dickinson et al.	6,179,176 B1	1/2001	Saggese et al.
D383,306 S	9/1997	Pennoyer	D440,118 S	4/2001	Claffy et al.
D383,603 S	9/1997	Pedlar	D441,954 S	5/2001	Parker
5,662,223 A	9/1997	Sylegård	6,224,258 B1	5/2001	Dodson
5,683,097 A	11/1997	Fenton et al.	6,234,287 B1	5/2001	Pfeiffer
5,688,001 A	11/1997	Klein et al.	6,244,064 B1	6/2001	Powell et al.
D387,249 S	12/1997	Mogil	6,244,066 B1	6/2001	LaRose
D387,558 S	12/1997	Mann et al.	6,244,458 B1	6/2001	Frysinger et al.
D387,626 S	12/1997	Melk	6,247,203 B1	6/2001	Kuo
5,704,158 A	1/1998	Whiteaker	6,247,328 B1	6/2001	Mogil
5,718,350 A	2/1998	Williams	6,260,240 B1	7/2001	Akashi et al.
D392,510 S	3/1998	Perez	6,279,971 B1	8/2001	Dessenberger, Jr.
5,727,844 A	3/1998	O'Quinn et al.	6,289,554 B1	9/2001	Wang
5,732,987 A	3/1998	Wright et al.	6,289,684 B1	9/2001	Guidry, II et al.
			D449,163 S	10/2001	Dahlen et al.
			6,305,185 B1	10/2001	Sloan
			D451,278 S	12/2001	Cooper

(56)

References Cited

U.S. PATENT DOCUMENTS

6,338,586 B1	1/2002	Kuo	D493,286 S	7/2004	Concari
6,343,815 B1	2/2002	Poe	6,757,942 B2	7/2004	Matsui et al.
D454,292 S	3/2002	Plummer et al.	6,761,366 B1	7/2004	Klemmensen et al.
6,353,978 B1	3/2002	Kawahara et al.	6,779,681 B2	8/2004	Doerfler et al.
6,357,080 B1	3/2002	Tsai	6,789,692 B2	9/2004	Prezelin
6,360,400 B1	3/2002	Chang	6,793,096 B1	9/2004	Seok
6,363,739 B1	4/2002	Hodosh et al.	D497,480 S	10/2004	Drew et al.
6,367,602 B1	4/2002	Chang	D498,053 S	11/2004	Nordstrom et al.
6,371,320 B2	4/2002	Sagol	D498,054 S	11/2004	Moon
6,371,346 B1	4/2002	Sharma	6,821,019 B2	11/2004	Mogil
6,375,237 B1	4/2002	Koenig	D500,598 S	1/2005	Ramos
D457,724 S	5/2002	Och	6,877,189 B2	4/2005	Simonson et al.
D457,725 S	5/2002	Parsons	6,883,208 B1	4/2005	Huang
6,389,645 B1	5/2002	Polidoro	D505,011 S	5/2005	Einav
6,398,272 B1	6/2002	Plummer et al.	6,895,789 B2	5/2005	Masseh, Jr. et al.
6,401,308 B1	6/2002	Kawahara	D508,376 S	8/2005	Bhavnani
6,422,386 B1	7/2002	Wiese et al.	6,929,145 B2	8/2005	Shepler
6,427,475 B1	8/2002	DeFelice et al.	6,955,381 B2	10/2005	Parker et al.
6,427,501 B2	8/2002	Ramsauer	6,981,780 B2	1/2006	Einav
D462,519 S	9/2002	Gaydos et al.	6,983,946 B2	1/2006	Sullivan et al.
6,446,382 B1	9/2002	Cloutier et al.	D515,362 S	2/2006	Chan
6,446,988 B1	9/2002	Kho	D517,947 S	3/2006	Hollingworth et al.
D464,196 S	10/2002	Parker	7,017,740 B2	3/2006	Itzkovitch
D464,485 S	10/2002	Sward et al.	7,028,730 B2	4/2006	Pace et al.
6,467,779 B1	10/2002	Mills	D520,237 S	5/2006	Cheng
6,478,463 B2	11/2002	Snider	7,040,115 B1	5/2006	Lopez et al.
6,481,239 B2	11/2002	Hodosh et al.	D522,751 S	6/2006	Irwin et al.
D466,439 S	12/2002	Wagner et al.	D522,811 S	6/2006	Martinez et al.
D467,424 S	12/2002	Hardigg et al.	D523,242 S	6/2006	Hardigg et al.
D467,425 S	12/2002	Hardigg et al.	7,066,311 B2	6/2006	O'Shea
D467,426 S	12/2002	Hardigg et al.	D525,714 S	7/2006	Ueda
6,497,311 B2	12/2002	Tiramani et al.	7,082,641 B1	8/2006	Jung et al.
6,497,438 B1	12/2002	Holub et al.	7,093,699 B2	8/2006	Yu
6,499,574 B1	12/2002	Anthony	D528,800 S	9/2006	Liu et al.
6,502,677 B1	1/2003	Tiramani et al.	D530,095 S	10/2006	Herzberg
6,508,389 B1	1/2003	Ripoyla et al.	7,162,890 B2	1/2007	Mogil et al.
6,520,514 B2	2/2003	Clegg	D537,251 S *	2/2007	Musgrove ..... D3/315
D471,711 S	3/2003	Addison	7,171,731 B1	2/2007	Borcherding
6,527,309 B1	3/2003	Gaydos et al.	D539,543 S	4/2007	Wu
6,532,624 B1	3/2003	Yang	D540,540 S	4/2007	Szyf et al.
D472,431 S	4/2003	Spence, Jr.	D540,651 S	4/2007	Wolf, V
6,543,096 B2	4/2003	Settelmayer et al.	D540,652 S	4/2007	Wolf, V
6,547,218 B2	4/2003	Landy	D544,211 S	6/2007	Herzberg
6,547,289 B1	4/2003	Greenheck et al.	7,237,660 B2	7/2007	Wu
6,550,592 B1	4/2003	Godshaw et al.	7,246,704 B2	7/2007	Brunson et al.
6,554,327 B1	4/2003	Riley	7,246,718 B2	7/2007	Einav et al.
D474,649 S	5/2003	Spence, Jr.	D552,352 S	10/2007	Lin
6,574,983 B2	6/2003	Smith et al.	D553,857 S	10/2007	Pendergraph et al.
6,585,090 B2	7/2003	Harvey	7,284,393 B1 *	10/2007	Macmillan ..... F25D 3/06 62/331
D477,916 S	8/2003	Nykoluk	7,284,763 B1	10/2007	King
D478,782 S	8/2003	Li	D555,902 S	11/2007	Pendergraph et al.
6,612,411 B2	9/2003	Nykoluk et al.	7,296,434 B2	11/2007	Scroggs
6,619,448 B1	9/2003	Wang	7,306,243 B2	12/2007	Van Horn et al.
D481,293 S	10/2003	Ayrest	7,309,106 B2	12/2007	Stallman
6,637,077 B2	10/2003	Doty	D562,646 S	2/2008	Lown et al.
6,637,562 B2	10/2003	Oh	7,334,680 B2	2/2008	Cunningham et al.
D482,593 S	11/2003	Wolf	7,334,802 B2	2/2008	Kaplan
6,640,397 B1	11/2003	Gipson	D563,101 S	3/2008	Kuchler
6,646,864 B2	11/2003	Richardson	7,344,028 B2	3/2008	Hanson
D484,004 S	12/2003	Lee	D566,479 S	4/2008	Kabalin
6,658,903 B1	12/2003	McShane et al.	7,367,451 B2	5/2008	Pendergraph et al.
6,679,358 B2	1/2004	Be	7,370,891 B1	5/2008	Schmitt et al.
6,679,359 B2	1/2004	Pfeiffer	D570,601 S	6/2008	Drew et al.
6,691,451 B1	2/2004	Keenan	D570,603 S	6/2008	Wu et al.
D487,348 S	3/2004	Fenton et al.	7,387,350 B2	6/2008	Killinger et al.
6,698,608 B2	3/2004	Parker et al.	D572,577 S	7/2008	Hatton
6,718,559 B1	4/2004	Davidson	7,397,674 B2	7/2008	Schlack
D489,531 S	5/2004	Oh	D574,150 S	8/2008	Ross
D489,595 S	5/2004	Gleichauf et al.	D574,667 S	8/2008	Grabijas, III et al.
6,736,265 B2 *	5/2004	Kipper ..... B25H 3/028 206/811	D575,059 S	8/2008	Cappiello et al.
D490,980 S	6/2004	Concari	7,415,794 B1	8/2008	Thompson
D491,797 S	6/2004	Eriksson	7,418,311 B1 *	8/2008	Lagassey ..... G07F 9/026 700/242
D492,184 S	6/2004	Parker et al.	D578,758 S	10/2008	Stevens et al.
6,755,448 B2	6/2004	Jackson et al.	D579,202 S	10/2008	Grenier et al.
			7,434,410 B2	10/2008	Ford
			7,441,641 B2	10/2008	Beakey
			D581,161 S	11/2008	Tong

(56)

References Cited

U.S. PATENT DOCUMENTS

D582,678 S	12/2008	Rekuc et al.	8,016,153 B2	9/2011	Boenig et al.
7,458,481 B2	12/2008	Yuen	D646,528 S	10/2011	Stallman et al.
7,461,871 B2	12/2008	Vauchel	8,037,983 B2	10/2011	Leung
7,475,782 B2	1/2009	Lombardi	D648,538 S	11/2011	Reinhart et al.
D587,902 S	3/2009	Yoneno	D649,786 S	12/2011	Lipfert et al.
7,503,439 B2	3/2009	O'Shea et al.	D650,585 S	12/2011	Jamison et al.
D590,694 S	4/2009	Stuckey	D651,860 S	1/2012	Nie
7,516,520 B2	4/2009	Kelagher et al.	D652,216 S	1/2012	Fair
7,516,842 B2	4/2009	Gu	8,091,731 B2	1/2012	Kidd et al.
D591,511 S	5/2009	Wu	8,096,152 B2	1/2012	Wagh et al.
7,530,405 B2	5/2009	Kollath et al.	8,096,442 B2	1/2012	Ramundi
7,533,782 B2	5/2009	Parker et al.	8,099,836 B2	1/2012	Breeden et al.
7,540,364 B2	6/2009	Sanderson	D654,694 S	2/2012	Wu
7,549,652 B2	6/2009	Wu	8,141,211 B2	3/2012	Weyer et al.
D596,400 S	7/2009	Chu et al.	D659,395 S	5/2012	Sijmons
D597,652 S	8/2009	Tang	D660,000 S	5/2012	Peterson et al.
7,568,739 B2	8/2009	Lee	8,167,166 B2	5/2012	Kidd et al.
7,571,915 B1	8/2009	Simmons	8,176,749 B2	5/2012	LaMere et al.
D600,912 S	9/2009	Brunner	8,191,747 B2	6/2012	Pruchnicki
7,581,656 B2	9/2009	Gnepper et al.	8,210,353 B2	7/2012	Epicureo
D601,801 S	10/2009	Perez	8,214,972 B2	7/2012	Lai
D602,252 S	10/2009	Ehret	D664,891 S	8/2012	Takeda
7,604,290 B1	10/2009	Giordano	D665,166 S	8/2012	Khalifa et al.
7,607,540 B2	10/2009	Ballard	D666,002 S	8/2012	Lai
D603,165 S	11/2009	Losiewicz	8,245,868 B2	8/2012	Ikeda et al.
D605,896 S	12/2009	Zalewski et al.	8,251,113 B2	8/2012	Baxter
D607,697 S	1/2010	Whitlock et al.	8,251,245 B2	8/2012	DiPietro et al.
D608,159 S	1/2010	Whitlock et al.	D666,831 S	9/2012	Kinskey et al.
D608,601 S	1/2010	Whitlock et al.	D666,832 S	9/2012	Kinskey et al.
D610,349 S	2/2010	Ehret	D667,697 S	9/2012	Shah
7,658,269 B2	2/2010	Wu	8,256,156 B1	9/2012	Burgoyne, Jr.
7,669,436 B2	3/2010	Mogil et al.	D668,049 S	10/2012	Buller
7,688,584 B1	3/2010	Becklin	8,286,828 B2	10/2012	Schafer
D613,560 S	4/2010	Robichaud et al.	8,287,009 B2	10/2012	Dane et al.
D614,404 S	4/2010	Brunner	8,292,119 B2	10/2012	Kenneally
7,703,588 B2	4/2010	Chiang	8,297,464 B2	10/2012	Grenier et al.
7,722,204 B1	5/2010	Sandberg	D670,502 S	11/2012	Wu
D617,561 S	6/2010	Salerno-Tortora	D673,024 S	12/2012	Caffin et al.
7,735,261 B2	6/2010	Sellati	8,328,247 B2	12/2012	Tonelli
D618,966 S	7/2010	Koehler et al.	8,336,708 B2	12/2012	Potterfield et al.
D619,423 S	7/2010	Koehler et al.	D674,192 S	1/2013	Li
D619,854 S	7/2010	Koehler et al.	8,342,580 B2	1/2013	Cowie et al.
D619,855 S	7/2010	Koehler et al.	8,378,323 B1	2/2013	Spann et al.
7,748,232 B2	7/2010	Kang	8,382,171 B2	2/2013	Williams
D624,315 S	9/2010	Amatrudo	D677,896 S	3/2013	Wu
7,806,287 B2	10/2010	Rouns	D678,749 S	3/2013	Tung
D626,451 S	11/2010	Helwig et al.	D678,750 S	3/2013	Tung
D627,162 S	11/2010	Weng	8,424,930 B2	4/2013	Matsubara et al.
D627,199 S	11/2010	Pruchnicki	8,430,284 B2	4/2013	Broadbent et al.
7,837,053 B2	11/2010	Arnett et al.	D681,337 S	5/2013	Wu
7,841,207 B2	11/2010	Mogil et al.	8,459,058 B2	6/2013	Mogil
D629,200 S	12/2010	Turella-Yuan et al.	8,459,422 B1	6/2013	Efron
7,854,321 B2	12/2010	Twig et al.	8,459,487 B2	6/2013	Sharma et al.
D630,435 S	1/2011	Brunner	8,459,495 B2	6/2013	Koenig et al.
D630,851 S	1/2011	Landau et al.	D685,186 S	7/2013	Massaud
7,861,552 B1	1/2011	Hughes	8,474,098 B1	7/2013	Yang
7,861,834 B2	1/2011	Gorga et al.	8,484,813 B2	7/2013	Taniguchi et al.
7,874,047 B2	1/2011	Breeden	8,490,413 B2	7/2013	Blackway et al.
7,874,408 B2	1/2011	Suppangig	8,496,133 B2	7/2013	Mizukoshi et al.
D633,300 S	3/2011	Fair	D688,589 S *	8/2013	Hung ..... D3/315
D634,545 S	3/2011	Fair	8,505,729 B2	8/2013	Sosnovsky et al.
7,909,148 B1	3/2011	Miller et al.	8,517,211 B2	8/2013	Brown et al.
D635,366 S	4/2011	Luburic	D688,920 S	9/2013	Manley et al.
D636,292 S	4/2011	Brown	D690,939 S	10/2013	Lintz et al.
7,922,052 B2	4/2011	Podschus	D691,808 S	10/2013	Wu
D637,811 S	5/2011	Hong	8,544,648 B2	10/2013	Cleveland et al.
7,937,884 B1	5/2011	Naylor et al.	8,561,264 B2	10/2013	Hasegawa et al.
7,959,194 B2	6/2011	Mahoney	8,561,269 B2	10/2013	LeCompte et al.
D640,869 S	7/2011	Katz et al.	8,567,631 B2	10/2013	Brunner
D642,379 S	8/2011	Buller	8,567,796 B2	10/2013	Bar-Erez et al.
D643,624 S	8/2011	Hong	D692,657 S	11/2013	Hyma et al.
D643,629 S	8/2011	Sofy et al.	8,572,821 B2	11/2013	Hasegawa
7,997,591 B2	8/2011	Arthur	8,573,399 B2	11/2013	Ulmer et al.
D644,434 S	9/2011	Miles et al.	8,590,704 B2	11/2013	Koenig et al.
D644,435 S	9/2011	Weng	8,590,724 B2	11/2013	Kreidler et al.
			8,596,485 B2	12/2013	Lindsay
			8,596,487 B1	12/2013	Su
			8,601,838 B2	12/2013	Hansen et al.
			8,616,600 B2	12/2013	Owen

(56)

## References Cited

## U.S. PATENT DOCUMENTS

D697,717 S	1/2014	Santy	D725,907 S	4/2015	Yu
8,622,235 B2	1/2014	Suchecky	D727,620 S *	4/2015	Tonelli ..... D3/276
8,627,972 B2	1/2014	Thomas	9,004,274 B2	4/2015	Thornberg
D699,100 S	2/2014	Moreau et al.	9,004,548 B2	4/2015	Joret et al.
D699,438 S	2/2014	Mathieu et al.	D728,933 S	5/2015	Sanz et al.
8,640,937 B2	2/2014	Pruchnicki	D730,050 S	5/2015	Hogan et al.
8,677,661 B2	3/2014	Michels et al.	9,027,751 B2	5/2015	Lee
8,678,227 B2	3/2014	Patstone	D730,716 S	6/2015	Weinerman et al.
D701,697 S	4/2014	Sabbag et al.	D731,250 S	6/2015	Butler et al.
D703,435 S	4/2014	Wile et al.	D732,348 S	6/2015	Seiders et al.
8,683,660 B2	4/2014	Hasegawa et al.	D732,349 S	6/2015	Seiders et al.
8,689,396 B2	4/2014	Wolfe et al.	D732,350 S	6/2015	Seiders et al.
8,708,351 B2	4/2014	Kinsky et al.	D732,823 S	6/2015	Baron
D704,935 S	5/2014	Lintz et al.	D732,899 S	6/2015	Seiders et al.
8,714,568 B2	5/2014	Allam et al.	D732,923 S	6/2015	Rechberg et al.
8,740,010 B1	6/2014	Page	9,045,264 B2	6/2015	Pils
8,757,642 B2	6/2014	Arthur et al.	9,060,577 B2	6/2015	Farrelly et al.
8,757,643 B2	6/2014	Arthur et al.	9,067,081 B2	6/2015	Roach et al.
8,757,696 B2	6/2014	Schneider	D734,742 S	7/2015	Fujioka
D709,336 S	7/2014	Liebenthal	9,079,595 B2	7/2015	Chen et al.
D709,696 S	7/2014	Wu	9,085,403 B2	7/2015	Roach et al.
8,763,848 B2	7/2014	Carey	9,101,186 B2	8/2015	Lai
8,763,851 B2	7/2014	Jiang et al.	9,108,772 B2	8/2015	Hovatter
8,770,426 B2	7/2014	Arnett et al.	9,113,686 B1	8/2015	Bishop
8,777,045 B2	7/2014	Mitchell et al.	9,114,909 B2	8/2015	Wagner
D710,099 S	8/2014	Horovitz et al.	D738,702 S	9/2015	Linares
D710,610 S	8/2014	Sijmons et al.	9,139,352 B2	9/2015	Seiders et al.
D710,614 S	8/2014	Meersschaert	D740,557 S	10/2015	Liao
D711,104 S	8/2014	Lai	D740,558 S	10/2015	Liao
D711,646 S	8/2014	Ke	D741,064 S	10/2015	Ramos
D711,647 S	8/2014	Chen	D741,600 S	10/2015	Della Vecchia
D711,648 S	8/2014	Chen	9,163,871 B1	10/2015	Costello
D711,649 S	8/2014	Chen	9,169,678 B2	10/2015	Rozema
D712,143 S	9/2014	Chehebar	D743,171 S	11/2015	Reinhart
D714,056 S	9/2014	Weng	9,187,210 B2	11/2015	Zhu et al.
D714,057 S	9/2014	Hou	9,193,060 B2	11/2015	Ben-Gigi
D714,064 S	9/2014	Kim	D744,750 S	12/2015	Sabbag et al.
8,844,749 B2	9/2014	Manahan et al.	9,198,492 B2	12/2015	Chehebar
8,844,950 B2	9/2014	Greene et al.	9,199,370 B2	12/2015	Crull
8,850,666 B2	10/2014	Hasegawa et al.	9,199,657 B2	12/2015	Martin
8,851,282 B2	10/2014	Brunner	9,204,699 B2	12/2015	Pickens et al.
8,851,289 B2	10/2014	Shi	9,205,551 B2	12/2015	Green et al.
8,857,654 B2	10/2014	Mogil et al.	9,211,040 B2	12/2015	Lane
8,863,975 B2	10/2014	McCanless	9,215,918 B2	12/2015	Kao et al.
8,864,185 B2	10/2014	Do	D747,639 S	1/2016	Linares
8,864,189 B2	10/2014	Fournie et al.	D747,950 S	1/2016	Jacobsen et al.
D717,152 S	11/2014	Weinerman et al.	D747,951 S	1/2016	Jacobsen et al.
D718,051 S	11/2014	Frahm et al.	9,233,465 B2	1/2016	Lai
8,875,877 B2	11/2014	Cottle et al.	D748,452 S	2/2016	Jacobsen et al.
8,875,888 B2	11/2014	Koenig et al.	9,248,566 B2	2/2016	Horiyama et al.
8,875,934 B2	11/2014	Deka	9,254,901 B2	2/2016	Gill
8,881,930 B2	11/2014	Banik	9,259,090 B1	2/2016	Cronin
8,887,515 B2	11/2014	Patstone	9,259,593 B2	2/2016	Roach et al.
D718,936 S	12/2014	Sanz et al.	9,259,828 B2	2/2016	Bermes
D719,351 S	12/2014	Hailwood	9,266,462 B2	2/2016	Miller
8,905,412 B2	12/2014	Fux	D750,953 S	3/2016	Jacobsen et al.
8,910,788 B2	12/2014	Roach et al.	D752,344 S	3/2016	Green
8,910,819 B2	12/2014	Seiders	9,272,820 B2	3/2016	Cowie
8,919,596 B2	12/2014	Carino	9,278,704 B2	3/2016	Cates
D720,536 S	1/2015	Hsu	9,290,297 B2	3/2016	Overath
D720,599 S	1/2015	Weinerman et al.	D752,862 S	4/2016	Riddiford et al.
D720,928 S	1/2015	Roncato	9,307,840 B2	4/2016	Restrepo et al.
8,925,752 B2	1/2015	Smith	9,322,192 B2	4/2016	Burd
D722,771 S	2/2015	Wu	D755,518 S	5/2016	Sijmons
D722,860 S	2/2015	Linares	9,327,887 B2	5/2016	Farentinos et al.
8,944,476 B1	2/2015	Henderson	9,340,224 B2	5/2016	Yoder et al.
8,960,430 B2	2/2015	Roach et al.	9,341,003 B2	5/2016	Ely et al.
8,960,735 B2	2/2015	Michael et al.	9,341,403 B2	5/2016	Conrad et al.
D723,806 S	3/2015	Salmon	9,346,616 B2	5/2016	Foster
D724,323 S	3/2015	Wang	9,351,550 B2	5/2016	Arthur et al.
8,979,100 B2	3/2015	Bensman et al.	D759,971 S	6/2016	Riddiford et al.
8,979,101 B2	3/2015	Primiano	9,359,798 B2	6/2016	Greenwood et al.
8,979,144 B2	3/2015	Paugh et al.	9,376,050 B1	6/2016	Gill
8,985,326 B2	3/2015	Halsne et al.	9,387,963 B2	7/2016	McBroom et al.
8,985,385 B2	3/2015	Parker et al.	9,393,684 B2	7/2016	Christopher et al.
			D762,471 S	8/2016	Green et al.
			D762,977 S	8/2016	Xu
			9,408,449 B1	8/2016	Tsai
			9,415,787 B2	8/2016	Mericle

(56)

## References Cited

## U.S. PATENT DOCUMENTS

9,427,058 B2	8/2016	Boglione	D810,433 S	2/2018	Ballou et al.
D765,397 S	9/2016	Reinhart	D810,434 S	2/2018	Xu
D765,406 S	9/2016	Faibish	D811,084 S	2/2018	Ballou et al.
D765,407 S	9/2016	Reinhart	D811,090 S	2/2018	Karl
D765,408 S	9/2016	Reinhart	9,883,724 B2	2/2018	Woode
D765,409 S	9/2016	Reinhart	9,894,971 B2	2/2018	Scicluna et al.
D765,410 S	9/2016	Reinhart	9,901,153 B2	2/2018	Nash
D765,411 S	9/2016	Reinhart	D811,742 S	3/2018	Ballou et al.
D765,973 S	9/2016	Tonelli et al.	D811,744 S	3/2018	Ballou et al.
D767,277 S	9/2016	Faibish	D812,909 S	3/2018	Morszeck
9,435,578 B2	9/2016	Calderon et al.	9,913,518 B2	3/2018	Su
9,443,366 B2	9/2016	Rayner	D814,187 S	4/2018	Caglar
D768,464 S	10/2016	Hatton	D815,787 S	4/2018	Seiders et al.
D768,985 S	10/2016	Morszeck	D815,831 S	4/2018	Tonelli
9,468,277 B2	10/2016	King	D815,919 S	4/2018	DeFrancia
D770,179 S	11/2016	Menirom	D816,337 S	5/2018	Cheng
D771,381 S	11/2016	Sosnovsky et al.	D816,492 S	5/2018	Reinhart
D772,577 S	11/2016	Muchin et al.	D817,722 S	5/2018	Bradley
D773,821 S	12/2016	Reinhart	D818,712 S	5/2018	Fleming et al.
D773,901 S	12/2016	Marret	9,968,170 B2	5/2018	Morszeck
9,511,491 B2	12/2016	Brunner	D819,331 S	6/2018	Ballou et al.
D776,429 S	1/2017	Zagorski et al.	D820,049 S	6/2018	Ahlstrom et al.
D776,932 S	1/2017	Reinhart	9,999,284 B1	6/2018	Tan
D776,934 S	1/2017	Braendle	D821,824 S	7/2018	Rane et al.
D777,441 S	1/2017	Li	D821,825 S	7/2018	Sullivan et al.
D777,530 S	1/2017	Marret	D823,065 S	7/2018	Eichinger et al.
D778,054 S	2/2017	Li	D824,168 S	7/2018	Morszeck
D778,707 S	2/2017	Tonelli	10,028,561 B2	7/2018	Vecellio
D779,201 S	2/2017	Beilman et al.	D824,674 S	8/2018	Seiders et al.
9,566,704 B1	2/2017	Stoikos et al.	D824,731 S	8/2018	Sullivan et al.
9,567,784 B2	2/2017	Defrance et al.	10,058,151 B2	8/2018	Morszeck
D780,523 S	3/2017	Jacobsen	D827,304 S	9/2018	Tao
D780,524 S	3/2017	Jacobsen	D828,028 S	9/2018	Seiders et al.
D780,525 S	3/2017	Jacobsen	D828,029 S	9/2018	Seiders et al.
D784,017 S	4/2017	Hsieh	D828,108 S	9/2018	Bowling
9,622,547 B2	4/2017	Seader	D828,112 S	9/2018	Furneaux et al.
D785,937 S	5/2017	Morszeck	D829,244 S	9/2018	Sullivan et al.
D786,561 S	5/2017	Seiders et al.	10,080,412 B2	9/2018	Hartmann et al.
9,637,294 B2	5/2017	Kinsky	D830,132 S	10/2018	Sullivan et al.
9,655,418 B2	5/2017	Chien et al.	D830,133 S	10/2018	Sullivan et al.
D788,460 S	6/2017	Morszeck	D830,134 S	10/2018	Sullivan et al.
D788,461 S	6/2017	Tonelli	10,086,745 B2	10/2018	Gill
D789,690 S	6/2017	Foley et al.	10,088,144 B1	10/2018	Sandberg
D789,766 S	6/2017	Todd, Jr. et al.	D832,653 S	11/2018	Waskow et al.
9,669,986 B1	6/2017	Evans	10,124,742 B2	11/2018	Martinez et al.
D791,477 S	7/2017	Liu	10,138,048 B2	11/2018	Mitchell et al.
D792,094 S	7/2017	Stoikos et al.	D834,819 S	12/2018	Burek et al.
D792,105 S	7/2017	Reinhart	D835,470 S	12/2018	Seiders et al.
D792,708 S	7/2017	Tazawa et al.	D835,472 S	12/2018	Seiders et al.
D793,089 S	8/2017	Jackson	D835,473 S	12/2018	Jacobsen
D796,199 S	9/2017	Law	D835,946 S	12/2018	Seiders et al.
D796,838 S	9/2017	Sijmons et al.	10,143,282 B2	12/2018	Seiders et al.
D797,518 S	9/2017	Pavia, III	10,159,312 B2	12/2018	Ito
9,770,084 B1	9/2017	Shiekh	10,160,471 B2	12/2018	Yahav et al.
D802,924 S	11/2017	Mahanavanont	D836,993 S	1/2019	Meda et al.
9,809,376 B2	11/2017	Mitchell et al.	D836,996 S	1/2019	Jacobsen
D804,174 S	12/2017	Morszeck	D836,997 S	1/2019	Jacobsen
D804,818 S	12/2017	Sadler	D836,998 S	1/2019	Jacobsen
D804,819 S	12/2017	Faibish et al.	D836,999 S	1/2019	Jacobsen
D805,772 S	12/2017	Oshima	D837,001 S	1/2019	Jacobsen
D805,851 S	12/2017	Sullivan et al.	D837,515 S	1/2019	Shpitzer
9,839,272 B2	12/2017	Licciardino	D837,611 S	1/2019	Lane et al.
9,848,681 B1	12/2017	Chen	D838,208 S	1/2019	Hirabayashi et al.
9,849,901 B2	12/2017	Jackman	D838,983 S	1/2019	Seiders et al.
D806,483 S	1/2018	Stanford et al.	D838,984 S	1/2019	Seiders et al.
D807,123 S	1/2018	Carey et al.	D839,094 S	1/2019	Giraud et al.
D807,124 S	1/2018	Carey et al.	D839,682 S	2/2019	Jacobsen
D808,164 S	1/2018	Summers	D840,150 S	2/2019	Seiders et al.
D808,653 S	1/2018	Rayeski et al.	D840,194 S	2/2019	Furneaux et al.
D808,655 S	1/2018	Seiders et al.	D842,048 S	3/2019	Wells
D808,730 S	1/2018	Sullivan et al.	D843,114 S	3/2019	Sanz
9,878,841 B2	1/2018	Holderness et al.	10,219,601 B2	3/2019	Selvi
D809,293 S	2/2018	Virassamy et al.	D844,325 S	4/2019	Nelson
D809,295 S	2/2018	Ehret	D844,386 S	4/2019	Ahlstrom et al.
D810,432 S	2/2018	Ballou et al.	10,272,934 B2	4/2019	DeFrancia
			D848,219 S	5/2019	Munie et al.
			D848,220 S	5/2019	Munie et al.
			D848,221 S	5/2019	Munie et al.
			D848,222 S	5/2019	Munie et al.

(56)

References Cited

U.S. PATENT DOCUMENTS

D848,223 S	5/2019	Munie et al.	2003/0106821 A1	6/2003	Bar-Erez
D848,744 S	5/2019	Axelbaum	2003/0111476 A1	6/2003	Serio
D848,798 S	5/2019	Munie et al.	2003/0136702 A1	7/2003	Redzisz et al.
D849,486 S	5/2019	Munie et al.	2004/0007604 A1	1/2004	Plzak
10,292,473 B2	5/2019	Meersschaert	2004/0016854 A1	1/2004	Hart
D850,796 S	6/2019	Ricca	2004/0025306 A1	2/2004	Coffey
D851,401 S	6/2019	Zhang	2004/0040967 A1	3/2004	Eiskant et al.
10,314,377 B2	6/2019	Stephens	2004/0163910 A1	8/2004	Lee
D852,504 S	7/2019	Ben-David	2004/0178208 A1*	9/2004	Leba ..... F25D 3/08
D853,729 S	7/2019	Axelbaum			220/761
D854,826 S	7/2019	Tonelli	2004/0238543 A1	12/2004	Askew
10,334,935 B2	7/2019	Chung	2004/0246695 A1	12/2004	Schlack
10,350,746 B2	7/2019	Martinez et al.	2004/0262319 A1	12/2004	Fisher
10,351,330 B2	7/2019	Smith et al.	2005/0023096 A1	2/2005	Tiramani
10,357,874 B2	7/2019	Engvall et al.	2005/0099019 A1	5/2005	Hall et al.
D857,386 S	8/2019	Shpitzer	2005/0103813 A1	5/2005	Edwards
10,376,031 B1	8/2019	Majhess	2005/0109776 A1*	5/2005	Camp, Jr. .... A45C 11/20
10,378,569 B2	8/2019	Jensen et al.			220/23.86
D858,986 S	9/2019	Shalgi	2005/0139741 A1	6/2005	Yuen
D859,842 S	9/2019	Frank	2005/0150892 A1	7/2005	Miller
D860,789 S	9/2019	Rayeski et al.	2005/0180835 A1	8/2005	Schneider
10,399,748 B2	9/2019	Reinhart	2005/0183914 A1	8/2005	Lin
10,401,075 B2	9/2019	Bond	2005/0199628 A1	9/2005	Van Handel et al.
D861,535 S	10/2019	Venables	2005/0217071 A1	10/2005	Shinner
10,443,918 B2*	10/2019	Li ..... F25D 3/08	2005/0258610 A1	11/2005	Stone et al.
D869,160 S	12/2019	Seiders et al.	2005/0279123 A1	12/2005	Maldonado et al.
D869,244 S	12/2019	Ellison et al.	2006/0011641 A1	1/2006	Sanderson
D869,848 S	12/2019	Wu	2006/0017293 A1	1/2006	Tonelli
D871,767 S	1/2020	Harrison	2006/0037178 A1	2/2006	Sulhoff
D872,478 S	1/2020	Seiders et al.	2006/0037824 A1	2/2006	Park et al.
D872,485 S	1/2020	Seiders et al.	2006/0042897 A1	3/2006	Sanderson
D873,020 S	1/2020	Seiders et al.	2006/0049640 A1	3/2006	Lee
D873,024 S	1/2020	Usui	2006/0180422 A1	8/2006	Lin
D874,139 S	2/2020	Rubio et al.	2006/0184218 A1	9/2006	Mogil et al.
D874,140 S	2/2020	Rubio et al.	2006/0196218 A1	9/2006	Godshaw
D874,141 S	2/2020	Rubio et al.	2006/0213736 A1	9/2006	Sweeney
10,568,395 B2	2/2020	Hayashi	2006/0213941 A1	9/2006	Sweeney
10,568,400 B2	2/2020	Shechter et al.	2006/0225981 A1	10/2006	Lin
D876,833 S	3/2020	Brunner et al.	2006/0249412 A1	11/2006	Hernandez et al.
D876,835 S	3/2020	Libman et al.	2006/0249522 A1	11/2006	Ringo
D878,054 S	3/2020	Reinhart et al.	2006/0276768 A1	12/2006	Miller et al.
D878,929 S	3/2020	Rubio et al.	2007/0039957 A1	2/2007	Shulz et al.
10,595,608 B2	3/2020	Korey et al.	2007/0101754 A1	5/2007	Maldonado
D881,569 S	4/2020	Rubio et al.	2007/0158157 A1	7/2007	Krulik et al.
D881,578 S	4/2020	Prommel et al.	2007/0175898 A1	8/2007	Craft et al.
D882,266 S	4/2020	Prommel et al.	2007/0235452 A1	10/2007	Killinger et al.
D882,267 S	4/2020	Prommel et al.	2007/0261977 A1	11/2007	Sakai
D887,788 S	6/2020	Meda et al.	2008/0001373 A1	1/2008	Vaughn
D887,789 S	6/2020	Seiders et al.	2008/0029528 A1	2/2008	Mireault
D893,876 S	8/2020	Van Fossen	2008/0042460 A1	2/2008	Fuchs
D899,083 S	10/2020	Rubio et al.	2008/0067095 A1	3/2008	Mueller
D904,829 S	12/2020	Nichols et al.	2008/0067206 A1	3/2008	Kuhn
D907,445 S	1/2021	Nichols et al.	2008/0078637 A1	4/2008	Su
D909,062 S	2/2021	Qian et al.	2008/0078682 A1	4/2008	Clark et al.
D912,983 S	3/2021	Newson	2008/0110892 A1	5/2008	House
D915,069 S	4/2021	Tonelli	2008/0116215 A1	5/2008	Chuang
D920,668 S	6/2021	Bonnough et al.	2008/0128428 A1	6/2008	Beckerman
D925,299 S	7/2021	Nichols et al.	2008/0156858 A1	7/2008	Perry et al.
D925,911 S	7/2021	Sun	2008/0170388 A1	7/2008	Greil
D927,851 S	8/2021	Chasseriaux et al.	2008/0190940 A1	8/2008	Scott
D929,189 S	8/2021	Pennington et al.	2008/0196650 A1	8/2008	Fernung
D942,812 S	2/2022	Luo et al.	2008/0230339 A1	9/2008	Pereira
D944,299 S	2/2022	Astle et al.	2008/0245095 A1	10/2008	Schlipman et al.
D946,279 S	3/2022	Seiders et al.	2008/0257775 A1	10/2008	Randolph
D948,292 S	4/2022	Deng	2008/0264946 A1	10/2008	Moschella et al.
2002/0024189 A1	2/2002	Chen	2009/0009039 A1	1/2009	Mayes, Jr.
2002/0038745 A1	4/2002	Lamming	2009/0014974 A1	1/2009	VanVorst et al.
2002/0074332 A1	6/2002	Sagol	2009/0033110 A1	2/2009	Fragale
2002/0148694 A1	10/2002	Tong	2009/0049859 A1	2/2009	Moon
2002/0162841 A1	11/2002	Shamir et al.	2009/0078593 A1	3/2009	Patstone
2002/0185871 A1	12/2002	Straka	2009/0080809 A1	3/2009	Pham et al.
2002/0195827 A1	12/2002	Jackson et al.	2009/0101460 A1	4/2009	Justham et al.
2003/0019705 A1	1/2003	Lau	2009/0114646 A1	5/2009	Whalen
2003/0038007 A1	2/2003	Han	2009/0114653 A1	5/2009	Schenker
2003/0038142 A1	2/2003	Gee	2009/0120126 A1	5/2009	Mew
			2009/0158770 A1	6/2009	Cohrs et al.
			2009/0173744 A1	7/2009	Hassell
			2009/0194541 A1	8/2009	Mayo
			2009/0277905 A1	11/2009	Gillan
			2010/0001013 A1	1/2010	Sommerfeld



(56)

References Cited

U.S. PATENT DOCUMENTS

2010/0072215 A1 3/2010 Coon  
 2010/0078451 A1 4/2010 Mount  
 2010/0108556 A1 5/2010 Claffy  
 2010/0133132 A1 6/2010 Allan  
 2010/0200784 A1 8/2010 Turner  
 2010/0258576 A1 10/2010 Marquez  
 2010/0275642 A1 11/2010 Klettner  
 2011/0016911 A1 1/2011 Mosby  
 2011/0064332 A1 3/2011 Piazza et al.  
 2011/0114526 A1 5/2011 Neumann et al.  
 2011/0119986 A1 5/2011 Sellers  
 2011/0121002 A1 5/2011 Stiller  
 2011/0127264 A1 6/2011 Whalen  
 2011/0132046 A1 6/2011 Tonelli  
 2011/0181008 A1 7/2011 Bensman et al.  
 2011/0182532 A1 7/2011 Baltus  
 2011/0186396 A1 8/2011 Sheikh  
 2011/0186398 A1 8/2011 Sheikh  
 2011/0197625 A1 8/2011 Urban et al.  
 2011/0203328 A1 8/2011 Vilkomirski et al.  
 2011/0220531 A1 9/2011 Meether et al.  
 2011/0226003 A1 9/2011 Chaney et al.  
 2011/0226785 A1 9/2011 Sakell  
 2012/0024896 A1 2/2012 Scobey et al.  
 2012/0103740 A1 5/2012 Moussatche et al.  
 2012/0104012 A1 5/2012 Cowie et al.  
 2012/0168444 A1 7/2012 Shitrit et al.  
 2012/0193353 A1 8/2012 Cronin et al.  
 2012/0247897 A1 10/2012 Sheikh  
 2012/0267208 A1 10/2012 D'Angelo  
 2012/0273506 A1 11/2012 Adams et al.  
 2012/0286489 A1 11/2012 Bartholomew  
 2012/0312708 A1 12/2012 Roehm et al.  
 2013/0068579 A1 3/2013 Mathieu et al.  
 2013/0140120 A1 6/2013 Rasmussen  
 2013/0168196 A1 7/2013 Stanley  
 2013/0175130 A1 7/2013 Liang  
 2013/0175276 A1 7/2013 Gleichauf et al.  
 2013/0248390 A1 9/2013 Roehm et al.  
 2013/0284619 A1 10/2013 Daley  
 2013/0292220 A1 11/2013 Kerley  
 2013/0292221 A1 11/2013 Ryan et al.  
 2013/0307214 A1 11/2013 Groller et al.  
 2013/0313058 A1 11/2013 Yoshida  
 2014/0027454 A1 1/2014 Banik  
 2014/0062042 A1 3/2014 Wagner et al.  
 2014/0069832 A1 3/2014 Roehm  
 2014/0130310 A1 5/2014 Roth  
 2014/0137370 A1 5/2014 Lo et al.  
 2014/0138384 A1 5/2014 O'Brien  
 2014/0151388 A1 6/2014 Culeron et al.  
 2014/0158028 A1 6/2014 Adams  
 2014/0166516 A1 6/2014 Martinez et al.  
 2014/0197059 A1 7/2014 Evans et al.  
 2014/0251864 A1 9/2014 Voeller  
 2014/0252010 A1 9/2014 Miller  
 2014/0265197 A1 9/2014 Russell et al.  
 2014/0271095 A1 9/2014 Umans et al.  
 2014/0284158 A1 9/2014 Reid  
 2014/0284243 A1 9/2014 Tucker  
 2014/0311361 A1 10/2014 Wangler  
 2014/0311844 A1 10/2014 Meersschaert et al.  
 2014/0319147 A1 10/2014 Horovitz et al.  
 2015/0021132 A1 1/2015 Sijmons et al.  
 2015/0027835 A1 1/2015 Moon  
 2015/0034515 A1 2/2015 Monyak et al.  
 2015/0069962 A1 3/2015 Dietzel et al.  
 2015/0089903 A1 4/2015 Carey  
 2015/0090551 A1 4/2015 Sikka  
 2015/0114024 A1 4/2015 Grepper  
 2015/0129569 A1 5/2015 Miller  
 2015/0144448 A1 5/2015 Chen  
 2015/0150347 A1 6/2015 Scicluna  
 2015/0150348 A1 6/2015 Wax  
 2015/0175338 A1 6/2015 Culp et al.

2015/0189963 A1 7/2015 Lai et al.  
 2015/0190920 A1 7/2015 Karlsson et al.  
 2015/0208779 A1 7/2015 Tong  
 2015/0209226 A1 7/2015 Priebe et al.  
 2015/0233630 A1 8/2015 Bond  
 2015/0292840 A1 10/2015 Tobin  
 2015/0296945 A1 10/2015 Douglas  
 2015/0296948 A1 10/2015 Kung  
 2015/0315532 A1 11/2015 Bergbohm et al.  
 2015/0352709 A1 12/2015 Diamond  
 2015/0352711 A1 12/2015 Brunner  
 2015/0375558 A1 12/2015 Ben-Or  
 2015/0375918 A1 12/2015 Holderness et al.  
 2016/0023837 A1 1/2016 Furneaux et al.  
 2016/0046417 A1 2/2016 Kromer  
 2016/0052682 A1 2/2016 Gunnerson et al.  
 2016/0083186 A1 3/2016 Wright  
 2016/0084454 A1 3/2016 Svitak, Sr. et al.  
 2016/0091239 A1 3/2016 Beland  
 2016/0135563 A1 5/2016 Truong  
 2016/0138809 A1 5/2016 Colucci et al.  
 2016/0150862 A1 6/2016 Tonelli  
 2016/0166024 A1 6/2016 Lai  
 2016/0183651 A1 6/2016 Tonelli  
 2016/0244209 A1 8/2016 Hain  
 2016/0251124 A1 9/2016 Arnold et al.  
 2016/0279840 A1 9/2016 French et al.  
 2016/0286912 A1 10/2016 Morszeck  
 2017/0079398 A1 3/2017 Reh et al.  
 2017/0082342 A1\* 3/2017 Weinberg ..... B65D 25/2805  
 2017/0108260 A1 4/2017 Ansted et al.  
 2017/0127782 A1 5/2017 Korey et al.  
 2017/0165829 A1 6/2017 Damberg  
 2017/0173781 A1 6/2017 Damberg  
 2017/0196332 A1 7/2017 Tong  
 2017/0215537 A1 8/2017 Yu  
 2017/0290400 A1 10/2017 Thomas  
 2017/0347765 A1 12/2017 Jackson et al.  
 2018/0035774 A1 2/2018 Pelatti  
 2018/0035775 A1 2/2018 Haimoff  
 2018/0037394 A1 2/2018 Seiders et al.  
 2018/0078008 A1 3/2018 Sturm  
 2018/0087819 A1 3/2018 Triska et al.  
 2018/0087955 A1 3/2018 Lu  
 2018/0141718 A1 5/2018 Ahlstrom et al.  
 2018/0194533 A1 7/2018 Bramwell  
 2018/0325230 A1 11/2018 Morszeck  
 2018/0335241 A1 11/2018 Li et al.  
 2018/0339820 A1 11/2018 Reinhart et al.  
 2018/0354687 A1 12/2018 Seiders et al.  
 2019/0008254 A1 1/2019 Newson  
 2019/0092530 A1 3/2019 Seiders et al.  
 2019/0170422 A1 6/2019 Dexter  
 2019/0234671 A1 8/2019 Stanford et al.  
 2019/0256119 A1 8/2019 Brillhante et al.  
 2019/0271433 A1 9/2019 Tonelli  
 2020/0029664 A1 1/2020 Tonelli  
 2020/0037719 A1 2/2020 Jaworski et al.  
 2020/0039056 A1 2/2020 Damberg  
 2020/0060400 A1 2/2020 Glaser  
 2020/0061802 A1 2/2020 Samsel et al.  
 2020/0062454 A1 2/2020 Duong et al.  
 2020/0086905 A1 3/2020 Yao et al.  
 2020/0196725 A1 6/2020 Tonelli  
 2020/0214407 A1 7/2020 Nichols et al.  
 2020/0216224 A1 7/2020 Nichols et al.  
 2020/0217576 A1 7/2020 Guan et al.  
 2021/0102409 A1 4/2021 Seiders et al.  
 2022/0114853 A1 4/2022 Emde et al.

FOREIGN PATENT DOCUMENTS

BR 202015031355 U2 6/2017  
 CA 72336 A 7/1901  
 CA 72337 A 7/1901  
 CA 72338 A 7/1901  
 CA 73327 A 10/1901  
 CA 77273 A 9/1902  
 CA 81456 A 6/1903

(56)

References Cited

FOREIGN PATENT DOCUMENTS

CA	152411	A	12/1913	CN	303514839	12/2015
CA	175930	A	3/1917	CN	303546215	1/2016
CA	175939	A	3/1917	CN	201530438676	2/2016
CA	60997	A	6/1988	CN	201530438792	2/2016
CA	2624994	A1	5/2000	CN	105473462	A 4/2016
CA	89737	A	6/2000	CN	303630971	4/2016
CA	2483772	A1	4/2005	CN	303680031	5/2016
CA	2633223	A1	12/2009	CN	303680054	5/2016
CA	2635328	A1	12/2009	CN	303687108	6/2016
CA	2782668	A1	12/2013	CN	205521292	U 8/2016
CH	365631	A	11/1962	CN	303783877	8/2016
CN	2073459	U	3/1991	CN	303799176	8/2016
CN	2132145	Y	5/1993	CN	201630123602	8/2016
CN	1112819	A	12/1995	CN	303904119	11/2016
CN	2515999	Y	10/2002	CN	303918135	11/2016
CN	2549792	Y	5/2003	CN	205831341	U 12/2016
CN	1457237	A	11/2003	CN	303973165	12/2016
CN	1502279	A	6/2004	CN	303982382	12/2016
CN	2664452	Y	12/2004	CN	303982387	12/2016
CN	3498732		1/2006	CN	303982387	12/2016
CN	3498735		1/2006	CN	304000494	1/2017
CN	2813823	Y	9/2006	CN	304036742	2/2017
CN	300690540		9/2007	CN	304036750	2/2017
CN	300690541		9/2007	CN	304036750	2/2017
CN	201076126	Y	6/2008	CN	304050612	2/2017
CN	300854008		12/2008	CN	304068469	3/2017
CN	300856959		12/2008	CN	304076890	3/2017
CN	300918117		5/2009	CN	106551485	A 4/2017
CN	301150817		3/2010	CN	304172638	6/2017
CN	301189065		5/2010	CN	107125891	A 9/2017
CN	201691232	U	1/2011	CN	107173938	A 9/2017
CN	301548656		5/2011	CN	107307551	A 11/2017
CN	301620134		7/2011	CN	107467837	A 12/2017
CN	201919912	U	8/2011	CN	206702967	U 12/2017
CN	201938601	U	8/2011	CN	304411331	12/2017
CN	301711528		11/2011	CN	304411334	12/2017
CN	301808188		1/2012	CN	304411336	12/2017
CN	301950501		6/2012	CN	304411337	12/2017
CN	102626271	A	8/2012	CN	304411389	12/2017
CN	202396674	U	8/2012	CN	304417314	12/2017
CN	302115731		10/2012	CN	304423206	12/2017
CN	102805467	A	12/2012	CN	304423258	12/2017
CN	202722894	U	2/2013	CN	304423259	12/2017
CN	102948946	A	3/2013	CN	304423260	12/2017
CN	202760445	U	3/2013	CN	304423317	12/2017
CN	302365993		3/2013	CN	206880270	U 1/2018
CN	202874104	U	4/2013	CN	304461798	1/2018
CN	302425923		5/2013	CN	107668874	A 2/2018
CN	302448361		6/2013	CN	304532315	3/2018
CN	203182247	U	9/2013	CN	304532317	3/2018
CN	203283617	U	11/2013	CN	304532318	3/2018
CN	302631183		11/2013	CN	304532319	3/2018
CN	203439475	U	2/2014	CN	304539046	3/2018
CN	203524042	U	4/2014	CN	304555895	3/2018
CN	302811286		5/2014	CN	304562598	4/2018
CN	302868078		7/2014	CN	304569073	4/2018
CN	203789329	U	8/2014	CN	304569074	4/2018
CN	203814784	U	9/2014	CN	108078109	A 5/2018
CN	204032607	U	12/2014	CN	304645055	5/2018
CN	104433073	A	3/2015	CN	207428627	U 6/2018
CN	204245396	U	4/2015	CN	304653754	6/2018
CN	303154464		4/2015	CN	304660325	6/2018
CN	303186110		4/2015	CN	304660327	6/2018
CN	303221245		5/2015	CN	304660329	6/2018
CN	204409860	U	6/2015	CN	304660332	6/2018
CN	303228513		6/2015	CN	304692146	6/2018
CN	303228514		6/2015	CN	304701684	6/2018
CN	303242426		6/2015	CN	304749390	7/2018
CN	303251869		6/2015	CN	304764980	8/2018
CN	303324038		8/2015	CN	108495572	A 9/2018
CN	303333672		8/2015	CN	108497660	A 9/2018
CN	201530103483		8/2015	CN	304823685	9/2018
CN	303381343		9/2015	CN	304823694	9/2018
CN	303390870		9/2015	CN	108608804	A 10/2018
CN	303499903		12/2015	CN	207949211	U 10/2018
				CN	304836888	10/2018
				CN	304854893	10/2018
				CN	304862165	10/2018
				CN	304862166	10/2018
				CN	108741519	A 11/2018
				CN	108783799	A 11/2018

(56)

## References Cited

FOREIGN PATENT DOCUMENTS						
CN	108835813	A	11/2018	CN	305584098	2/2020
CN	108835814	A	11/2018	CN	305605578	2/2020
CN	304877452		11/2018	CN	305614805	2/2020
CN	304900938		11/2018	CN	305621592	2/2020
CN	108945792	A	12/2018	CN	305621593	2/2020
CN	109043770	A	12/2018	CN	305629332	2/2020
CN	208192442	U	12/2018	CN	305635594	3/2020
CN	208192487	U	12/2018	CN	305636583	3/2020
CN	304970790		1/2019	CN	305639489	3/2020
CN	304995265		1/2019	CN	305642338	3/2020
CN	305641119		1/2019	CN	305642339	3/2020
CN	109303399	A	2/2019	CN	305642418	3/2020
CN	305019548		2/2019	CN	305657621	3/2020
CN	109431028	A	3/2019	CN	305748162	5/2020
CN	109497673	A	3/2019	CN	305873337	6/2020
CN	208581902	U	3/2019	DE	74708	C 4/1894
CN	305050777		3/2019	DE	2020368	A1 11/1971
CN	305078424		3/2019	DE	7502524	U 9/1975
CN	305111950		4/2019	DE	2939826	A1 4/1980
CN	305181543		5/2019	DE	3344410	A1 6/1985
CN	305181544		5/2019	DE	8620597	U1 9/1986
CN	305184266		5/2019	DE	9012845	U1 10/1990
CN	305184268		5/2019	DE	4042245	A1 7/1991
CN	305191726		6/2019	DE	9105033	U1 3/1992
CN	305219344		6/2019	DE	4418429	A1 12/1994
CN	305242412		7/2019	DE	9408707	U1 9/1995
CN	305242413		7/2019	DE	29516306	U1 2/1997
CN	305283238		8/2019	DE	29815666	U1 11/1998
CN	209403814	U	9/2019	DE	19755532	A1 6/1999
CN	305344781		9/2019	DE	20312950	U1 10/2003
CN	305347993		9/2019	DE	20313077	U1 1/2004
CN	305359134		9/2019	DE	202004007996	U1 7/2004
CN	305359135		9/2019	DE	202004012191	U1 12/2004
CN	209528183	U	10/2019	DE	202004015475	U1 1/2005
CN	305398498		10/2019	DE	202004016959	U1 2/2005
CN	209563672	U	11/2019	DE	202005006105	U1 6/2005
CN	209628893	U	11/2019	DE	202005014773	U1 11/2005
CN	305424085		11/2019	DE	202006001888	U1 4/2006
CN	305424089		11/2019	DE	402010002800-0008	6/2010
CN	305437133		11/2019	DE	402010002800-0001	7/2010
CN	305437134		11/2019	DE	402010002800-0002	7/2010
CN	305437137		11/2019	DE	402010002800-0003	7/2010
CN	110605939	A	12/2019	DE	402010002800-0004	7/2010
CN	209719155	U	12/2019	DE	402010002800-0007	7/2010
CN	209719159	U	12/2019	DE	402010002800-0009	7/2010
CN	209732871	U	12/2019	DE	402010002800-0010	7/2010
CN	209788810	U	12/2019	DE	402010002800-0011	7/2010
CN	305476163		12/2019	DE	402010002800-0012	7/2010
CN	305488622		12/2019	DE	202012006671	U1 8/2012
CN	305499080		12/2019	DE	102012025617	A1 10/2013
CN	305506675		12/2019	DE	102013004590	A1 9/2014
CN	305518862		12/2019	DE	102013114520	A1 6/2015
CN	209931762	U	1/2020	DE	202016004315	U1 8/2016
CN	209965461	U	1/2020	DE	102015217545	B3 12/2016
CN	305527333		1/2020	DE	202015106823	U1 3/2017
CN	305533439		1/2020	DE	102017122609	A1 3/2019
CN	305533533		1/2020	EM	000134804-0001	6/2004
CN	305533534		1/2020	EM	001606468-0002	9/2009
CN	305533538		1/2020	EM	001682428-0001	4/2010
CN	305533539		1/2020	EM	001682428-0002	4/2010
CN	305540311		1/2020	EM	001682428-0003	4/2010
CN	305547763		1/2020	EM	001682428-0004	4/2010
CN	305547764		1/2020	EM	001682428-0005	4/2010
CN	305547961		1/2020	EM	001682428-0006	4/2010
CN	305556652		1/2020	EM	001781865-0001	12/2010
CN	305563596		1/2020	EM	001781865-0006	12/2010
CN	305571758		1/2020	EM	001781865-0007	12/2010
CN	305571764		1/2020	EM	001781865-0008	12/2010
CN	305577923		1/2020	EM	001781899-0006	2/2011
CN	305577960		1/2020	EM	001781899-0009	2/2011
CN	305578103		1/2020	EM	002215897-0001	8/2013
CN	210076793	U	2/2020	EM	002277574-0001	8/2013
CN	210114130	U	2/2020	EM	002277574-0002	8/2013
CN	305584094		2/2020	EM	002325209-0001	11/2013
CN	305584095		2/2020	EM	002325209-0002	11/2013
				EM	002569467-0001	11/2014
				EM	002569467-0002	11/2014
				EM	002569467-0003	11/2014
				EM	002569467-0004	11/2014

(56)

## References Cited

FOREIGN PATENT DOCUMENTS			GB			
EM	002576728-0013	11/2014	GB	854540	A	11/1960
EM	002646935-0001	3/2015	GB	2023550	A	1/1980
EM	002978569-0001	2/2016	GB	2023551	A	1/1980
EM	003261668-0002	7/2016	GB	2032814	A	5/1980
EM	003743905-0006	2/2017	GB	2047073	A	11/1980
EM	004100048-0001	9/2017	GB	1041392	A	10/1986
EM	004100048-0002	9/2017	GB	2023549	A	9/1992
EM	004385409-0001	10/2017	GB	2278874	A	12/1994
EM	004168789-0001	11/2017	GB	2291042	A	1/1996
EM	004662039-0002	3/2018	GB	2045135	A	2/1996
EM	004662039-0003	3/2018	GB	2308803	A	7/1997
EM	005609583-0001	8/2018	GB	2289713	B	12/1997
EM	005625977-0006	9/2018	GB	2421713	A	7/2006
EM	005500311-0002	10/2018	GB	2438189	A	11/2007
EM	005500311-0003	10/2018	GB	2459111	A	10/2009
EM	005804747-0001	10/2018	GB	4036176		7/2014
EM	005804762-0001	10/2018	GB	4037039		10/2014
EM	005804770-0001	10/2018	GB	9005804-0001		10/2018
EM	005805140-0001	10/2018	GB	9006576138-0004		6/2019
EM	005805199-0001	10/2018	GB	90066075520006		7/2019
EM	006453072-0001	5/2019	GB	2575671	A	1/2020
EM	006618583-0001	10/2019	ID	D0000002662-0001		1/2003
EM	006618583-0002	10/2019	IL	55179	A	7/1981
EM	006618583-0003	10/2019	IN	266778		5/2015
EM	006618583-0004	10/2019	IN	266779-0001		5/2015
EM	007064233-0002	11/2019	IN	276720		2/2016
EM	007145461-0012	11/2019	IN	305078423		3/2019
EM	007449095-0001	1/2020	JP	S4628827	Y1	10/1971
EM	007576806-0001	2/2020	JP	S57-150175	U	9/1982
EM	007719141-0001	3/2020	JP	S60-164570	A	8/1985
EP	0069419 A1	1/1983	JP	H03-066374	U	6/1991
EP	0530067 A1	3/1993	JP	H0574275	A	3/1993
EP	0587451 A1	3/1994	JP	H07-102842	A	4/1995
EP	0221215 B1	6/1995	JP	H08-093298	A	4/1996
EP	0670791 A1	9/1995	JP	2569734	B2	1/1997
EP	1000865 A1	5/2000	JP	2976179	B2	11/1999
EP	1059239 A1	12/2000	JP	H11309011	A	11/1999
EP	1080656 A1	3/2001	JP	2001-107621	A	4/2001
EP	1442845 A1	8/2004	JP	3177720	B2	6/2001
EP	1475008 A1	11/2004	JP	3191248	B2	7/2001
EP	1880948 A2	1/2008	JP	3197227	B2	8/2001
EP	1921009 A1	5/2008	JP	2001-262907	A	9/2001
EP	2024218 A2	2/2009	JP	3211023	B2	9/2001
EP	2107982 A1	10/2009	JP	D1121506		9/2001
EP	2236428 A1	10/2010	JP	3225244	B2	11/2001
EP	2330939 A1	6/2011	JP	D2001-10753		6/2002
EP	2344000 A1	7/2011	JP	D1193948		1/2004
EP	2387906 A1	11/2011	JP	2004136941	A	5/2004
EP	2412493 A2	2/2012	JP	2006122067	A	5/2006
EP	2441340 A1	4/2012	JP	D1312168		10/2007
EP	2522248 A1	11/2012	JP	D2007-16058		5/2008
EP	2543481 A1	1/2013	JP	D2007-16059		5/2008
EP	2745727 A2	6/2014	JP	D1338388		8/2008
EP	2826394 A1	1/2015	JP	D1382214		3/2010
EP	2829484 A1	1/2015	JP	D1382215		3/2010
EP	2829485 A1	1/2015	JP	D1397219		9/2010
EP	2904926 A1	8/2015	JP	D1397346		9/2010
EP	3013176 A1	5/2016	JP	D1408819		3/2011
EP	3027078 A1	6/2016	JP	D1408988		3/2011
EP	3073852 A1	10/2016	JP	2014184051	A	10/2014
EP	3216363 A1	9/2017	JP	3208907	U	2/2017
EP	3351130 A1	7/2018	JP	6206200	B2	10/2017
EP	3403521 A1	11/2018	JP	6226662	B2	11/2017
EP	3581059 A1	12/2019	JP	2019119506	A	7/2019
EP	3402720 B1	12/2020	JP	1671282	S	11/2020
FR	1198768 A	12/1959	KR	100395931	B1	8/2003
FR	2179844 A1	11/1973	KR	3020030024985		9/2003
FR	2223248 A1	10/1974	KR	200362331	Y1	9/2004
FR	2638950 A1	5/1990	KR	20070101643	A	10/2007
FR	2689100 A1	10/1993	KR	20070103598	A	10/2007
FR	2711044 A1	4/1995	KR	3020070008850		12/2007
FR	2712257 A1	5/1995	KR	300492699.0000		5/2008
FR	2809690 A1	12/2001	KR	20090074289	A	7/2009
FR	2870692 A1	12/2005	KR	100921297	B1	10/2009
FR	2912997 A1	8/2008	KR	101267451	B1	5/2013
			KR	300740505.0000		4/2014
			KR	300831147.0000		12/2015
			KR	300887228.0000		12/2016
			KR	300908948.0000		6/2017

(56)

## References Cited

## FOREIGN PATENT DOCUMENTS

KR	300908949.0000		6/2017
KR	300915252.0000		7/2017
KR	20180037090	A	4/2018
KR	300968949.0000		8/2018
KR	300982867.0000		11/2018
KR	300983257.0000		12/2018
KR	300990253.0000		1/2019
KR	3009902440000		1/2019
KR	300996066.0000		3/2019
KR	102054504	B1	12/2019
KR	301037245.0000		12/2019
KR	301037251.0000		12/2019
KR	301050842.0000		3/2020
KR	301541440002		4/2020
NL	7504291	A	10/1975
NL	8903105	A	7/1991
NL	1032860	C1	11/2006
RU	00100422	U1	12/2010
TR	201708307-0001		2/2018
TW	M310869	U	5/2007
WO	9400034	A1	1/1994
WO	D032061-005		4/1995
WO	D035637-003		2/1996
WO	D036648-008		6/1996
WO	9631140	A1	10/1996
WO	9748613	A1	12/1997
WO	0041937	A1	7/2000
WO	0168477	A1	9/2001
WO	02064445	A1	8/2002
WO	03041529	A1	5/2003
WO	2004076291	A2	9/2004
WO	2006019314	A1	2/2006
WO	2006037302	A1	4/2006
WO	2008001029	A1	1/2008
WO	2008034603	A1	3/2008
WO	2009028960	A1	3/2009
WO	2011135559	A1	11/2011
WO	2012000497	A1	1/2012
WO	2012029119	A1	3/2012
WO	D078390-004		11/2012
WO	2013014670	A1	1/2013
WO	D080557-001		4/2013
WO	2013126851	A1	8/2013
WO	2014131214	A1	9/2014
WO	2014193073	A1	12/2014
WO	2015040526		3/2015
WO	2015087357	A1	6/2015
WO	2016072912	A1	5/2016
WO	2016091570	A1	6/2016
WO	2017034992	A1	3/2017
WO	2017088278	A1	6/2017
WO	2017091899	A1	6/2017
WO	2017191628	A1	11/2017
WO	2017192694	A1	11/2017
WO	2018012675	A1	1/2018
WO	2018086193	A1	5/2018
WO	2018169478	A1	9/2018
WO	2019238228	A1	12/2019
WO	2020030766	A1	2/2020
WO	2020206312	A2	10/2020

## OTHER PUBLICATIONS

Apr. 13, 2022—(MX) Notice of Allowance—Appl. No. MX/f/2020/003210.

May 2, 2022—(CA) Office Action—Appl. No. 200171.

May 2, 2022—(CA) Office Action—Appl. No. 200172.

May 13, 2022—(CN) Office Action—App. No. 202210270032.8.

Jun. 3, 2022—(WO) International Search Report and Written Opinion—PCT/US2022/063684.

Pelican Elite 50 Quart Cooler, available Nov. 9, 2016, [online], [site visited Mar. 31, 2018]. Available from internet, <URL: <https://www.amazon.com/Pelican-Elite-Quart-Cooler-White/product-reviews/>

B01G7KG5PA/ref=cm\_cr\_getr\_d\_paging\_btm\_5?ie=UTF8&reviewerType=all\_reviews&sortBy-recent&pageNumber=5 (Year:2016).

Pelican Storm Waterproof Case, available Jul. 27, 2009, [online], [site visited Mar. 31, 2018]. Available from internet, <URL: <https://www.amazon.com/dp/B002JB07D8?axitk=>

[EqSpVoa9QpKAGqst7rmxMA&pd\\_rd\\_i=B002JB07D8&pf\\_rd\\_m=ATVPDKIKX0DER&pf](https://www.amazon.com/dp/B002JB07D8?axitk=EqSpVoa9QpKAGqst7rmxMA&pd_rd_i=B002JB07D8&pf_rd_m=ATVPDKIKX0DER&pf) (Year: 2009).

Outdoor Products Small Watertight Dry Box, Blue, available May 31, 2016, [online], [site visited Mar. 31, 2018]. Available from internet, <URL: <https://www.walmart.com/ip/Outdoor-Products-Small-Watertight-Dry-Box-Blue/26674162> (Year: 2016).

Sep. 20, 2018—(WO) International Search Report and Written Opinion—App. PCT/US2018/037100.

yeti.com, Images of Loadout Bucket Web Page visited on Mar. 17, 2020, at [https://www.yeti.com/en\\_US/buckets/loadout-5-gallon-bucket/YLOB5.html?dwvar\\_YLOB5\\_color=white&cgid=buckets#start=1](https://www.yeti.com/en_US/buckets/loadout-5-gallon-bucket/YLOB5.html?dwvar_YLOB5_color=white&cgid=buckets#start=1) <[https://www.yeti.com/en\\_US/buckets/loadout-5-gallon-bucket/YLOB5.html?dwvar\\_YLOB5\\_color=white&cgid=buckets](https://www.yeti.com/en_US/buckets/loadout-5-gallon-bucket/YLOB5.html?dwvar_YLOB5_color=white&cgid=buckets)>.

amazon.com, “Top Shelf Custom Injection Molded ABS Saddlebag Organizer Tray, 2014—Current H-D ABS Hard Bags, LFT by Advanced Accessory Concepts LLC,” visited Oct. 16, 2019 and revisited Jan. 6, 2020 at [https://www.amazon.com/Custom-Injection-Molded-Saddlebag-Organizer/dp/B01MQWBM40/ref=sr\\_1\\_38?keywords=luggage+hard+removable+liner&qid=1571270714&sr=8-38](https://www.amazon.com/Custom-Injection-Molded-Saddlebag-Organizer/dp/B01MQWBM40/ref=sr_1_38?keywords=luggage+hard+removable+liner&qid=1571270714&sr=8-38).

amazon.com, “TCMT Matt Black Chopped Tour Pack Trunk w/Backrest Fits For Harley Street Road Glide 2014-2020 (Style B) by TCMT,” visited Oct. 16, 2019 and revisited Jan. 6, 2020 at <https://www.amazon.com>.

amazon.com, “HardBagger Top Shelf Hard Saddlebag Organizer—Right or Left TS100HD by HardBagger,” visited Oct. 16, 2019 and revisited Jan. 6, 2020 at <https://www.amazon.com/HardBagger-Shelf-Hard-Saddlebag-Organizer>.

amazon.com, “Pelican Air 1615 Travel Case—Suitcase Luggage (Blue) by Pelican,” visited Oct. 16, 2019 and revisited Jan. 6, 2020 at [https://www.amazon.com/Pelican-Air-1615-Travel-Case/dp/B07XGHDK66?ref=ast\\_sto\\_dp](https://www.amazon.com/Pelican-Air-1615-Travel-Case/dp/B07XGHDK66?ref=ast_sto_dp).

amazon.com, “Pelican 015100-0050-110 Protector Carry-On Case Black w/TrekPak Insert: Camera & Photo,” visited Oct. 16, 2019 and revisited Jan. 6, 2020 at [https://www.amazon.com/Pelican-1510TP-Carry-TrekPak-Divider/dp/B01E4E1BFK/ref=sr\\_1\\_48?crd=3CJLVWN9DJ62R&keywords=carry+on+organizer+insert&qid=1571270299&sprefix=carry+on+organizer%2Caps%2C143&sr=8-48](https://www.amazon.com/Pelican-1510TP-Carry-TrekPak-Divider/dp/B01E4E1BFK/ref=sr_1_48?crd=3CJLVWN9DJ62R&keywords=carry+on+organizer+insert&qid=1571270299&sprefix=carry+on+organizer%2Caps%2C143&sr=8-48).

amazon.com, “Samsonite F’Lite GT 31” Hardside Wheeled Luggage (Vivid Blue),” visited Dec. 16, 2019 and revisited Jan. 7, 2020 at <<https://www.amazon.com/Samsonite-Flite-Spinner-Black-Size/dp/B01LTG2XVC?th=1>> Samsonite F’Lite GT 31” Hardside Wheeled Luggage (Vivid Blue).

alibaba.com, “Removable Spinner Wheels for Suitcase Replacement Suitcase Luggage,” visited Dec. 16, 2019 and revisited Jan. 7, 2020 at [https://www.alibaba.com/product-detail/Removable-Spinner-Wheels-For-Suitcase-Replacement\\_605641600](https://www.alibaba.com/product-detail/Removable-Spinner-Wheels-For-Suitcase-Replacement_605641600).

amazon.com, “Lockable Tackle Box Fishing Waterproof Fly Fishing Box Double Sided Ice Fishing Tackle Case Box Storage Waterproof: 360 Degree Rubber Gasket, Durable Plastic Construction Double Sided Triangle-Cut For,” visited Dec. 16, 2019 and revisited Jan. 7, 2020 at <<https://www.amazon.com/Lockable-Tackle-Fishing-Waterproof-Storage/dp/B07MFF6S6N>>.

yankodesign.com, “Vacuum Packed Suitcase,” visited Dec. 16, 2019 and revisited Jan. 7, 2020 at <<https://www.yankodesign.com/2011/11/28/vacuum-packed-suitcase/>>.

alibaba.com, “Portable Luggage Wheels for Luggage Trolley Bags & Suitcase,” visited Dec. 16, 2019 and revisited Jan. 7, 2020 at [https://www.alibaba.com/product-detail/Portable-Luggage-Wheels-for-luggage-Trolley\\_1854722793.html](https://www.alibaba.com/product-detail/Portable-Luggage-Wheels-for-luggage-Trolley_1854722793.html).

northerntool.com, “Dewalt 28in. Wheeled Toolbox, Model# DWST28100,” visited on Apr. 6, 2020 at [https://www.northerntool.com/shop/tools/product\\_200726534\\_200726534](https://www.northerntool.com/shop/tools/product_200726534_200726534).

(56)

## References Cited

## OTHER PUBLICATIONS

walmart.com, “Sterilite 151L Black Wheeled Industrial Tote,” visited on Apr. 6, 2020 at <https://www.walmart.ca/en/ip/sterilite-151l-black-wheeled-industrial-tote/6000195957310>.

globalindustrial.com, “Contico UK3725-4 Rolling Pro Tuff Work Box,” visited on Apr. 6, 2020 at <https://www.globalindustrial.com/p/tools/tool-storage/Jo-Site/rolling-pro-tuff-work-box?infoParam.campaignId=T9F>.

amazon.com, “Grey: Akro-Mils 33105 Akro-Grid Slotted Divider Plastic Tote Box,” visited on Apr. 6, 2020 at <https://www.amazon.in/Grey-Akro-Mils-Akro-Grid-Slotted-Divider/dp/B004C044VU>.

globalindustrial.com, “Global Industrial™ Plastic Dividable Grid Container,” visited on Apr. 6, 2020 at <https://www.globalindustrial.com/p/storage/bins-totes-containers/dividable-grid/grid-wall-bin-stackable-1>.

globalindustrial.com, “Straight Wall Container Solid,” visited on Apr. 6, 2020 at <https://www.globalindustrial.com/p/storage/bins-totes-containers/stacking-containers/straight-wall-container-12x7-2-5x5>.

Lowe’s, “Craftsman 37-in Black Plastic Wheels Lockable Tool Box,” <https://www.lowes.com/pd/CRAFTSMAN-37-in-Black-Plastic-Wheeled-Lockable-Tool-Box/1000578337>.

B&H, “Nanuk 960 Protective Rolling Case with Dividers and Organizer (Black),” [https://www.bhphotovideo.com/c/product/1504703-REG/nanuk\\_960\\_6001\\_960\\_waterproof\\_hard\\_case.html](https://www.bhphotovideo.com/c/product/1504703-REG/nanuk_960_6001_960_waterproof_hard_case.html), May 26, 2020.

Toolguyd, “Milwaukee Packout Tool Boxes and Storage System, in Photos,” <https://toolguyd.com/milwaukee-packout-tool-boxes-photo-introduction/>, visited May 26, 2020.

May 12, 2020—(WO) Partial International Search—PCT/US2020/012404.

Jul. 6, 2020—(WO) International Search Report & Written Opinion—PCT/US2020/012404.

Aug. 13, 2020—(WO) Partial International Search—PCT/US2020/026655.

Oct. 7, 2020—(WO) ISR & WO—PCT/US2020/026655.

2020 Dec. 2020—(CN) First Office Action—App. No. 201880036572.1.

Apr. 7, 2021—(CN) First Office Action—App. No. 202030815015.X.

Oct. 18, 2021—(WO) International Search Report & Written Opinion—PCT/US21/023632.

www.amazon.com; website visited Oct. 6, 2021; Pelican 1510 Case with Foam; Date First Available Oct. 2, 2001; [https://www.amazon.com/Pelican-1510-Case-Foam-Black/dp/B0002SKHIK/ref=sr\\_1\\_123?dchild=1&keywords=wheeled+tool+box+for+flying&qid=16%E2%80%A6](https://www.amazon.com/Pelican-1510-Case-Foam-Black/dp/B0002SKHIK/ref=sr_1_123?dchild=1&keywords=wheeled+tool+box+for+flying&qid=16%E2%80%A6) (Year: 2001).

Halliburton Pursuit Aluminum Continental Carry-on Case, Site visited on Oct. 6, 2021; website captured on May 20, 2020 via wayback: <https://web.archive.org/web/20200520103816/https://zerohalliburton.com/collections/luggage> (Year: 2020).

Nov. 24, 2021—(CN) 2nd Notification of Making Rectification—App. No. 202130371103.X.

9to5toys.com, Site visited Dec. 28, 2021, “Review, Pelican’s Impressive Elite Luggage is built like a tank, but is it worth the price tag?” Published by Justin Kahn on May 29, 2016, <https://9to5toys.com/2016/05/29/review-pelicans-impressive-elite-luggage-is-built-like-a-tank-but-is-it-worth-the-price-tag/> (Year: 2016).

Amazon.ca, Site visited Dec. 27, 2021, Trolley Box Suitcase by Yadsheng, First available Sep. 23, 2019, <https://www.amazon.ca/Suitcase-Universal-Portable-Hardshell-Business/dp/B07Y7R8RN1> (Year: 2019).

Amazon.ca, Site visited Dec. 27, 2021, Bamboo Wolf Hardside Suitcase, First available May 29, 2020, <https://www.amazon.ca/Aluminum-Hardside-Suitcase-Business-Travelling/dp/B085M1CB6J> (Year: 2020).

Amazon.ca, Site visited Dec. 28, 2021, Rimowa Suitcase, First available Jan. 25, 2017, <https://www.amazon.ca/Rimowa-Classic-Luggage-Multiwheel-Suitcase/dp/B01N6NEIIX> (Year: 2017).

Amazon.ca, Site visited Dec. 28, 2021, Travelking Spinner Suitcase, First available May 4, 2017, <https://www.amazon.ca/Multi-size-Aluminum-Luggage-Suitcase-TravelKing/dp/B06Y53X785> (Year: 2017).

Amazon.ca, Site visited Dec. 28, 2021, Level8 Gibraltar Suitcase, First available Jan. 24, 2019, <https://www.amazon.ca/dp/B07MX224X5> (Year: 2019).

Amazon.ca, Site visited Dec. 28, 2021, Samsonite Centric, First available Sep. 20, 2017, <https://www.amazon.ca/Samsonite-Ce-Intric-Hardside-Expandable-Luggage/dp/B074VJYRZN> (Year: 2017).

Whereintheworldisnina.com, Site visited Dec. 28, 2021, “Choosing the Best Hard Shell Luggage for your Trip” by Nina Ragusa published on Apr. 29, 2019 Features the Maxlite, Timberland, and Level8 luggage cases with compression straps, <https://whereintheworldisnina.com/best-hard-shell-luggage/> (Year: 2019).

Nytimes.com, Site visited Dec. 28, 2021, “Are Away Carry-Ons Worth the Hype” by Kit Dillon published on May 19, 2020 Features the Muji Carry-on with compression strap, <https://www.nytimes.com/wirecutter/reviews/are-away-carry-ons-worth-the-hype/> (Year: 2020).

Amazon.ca, Site visited Dec. 28, 2021, Bamboo Wolf Hard Shell Luggage, First available May 29, 2020, <https://www.amazon.ca/Aluminum-Magnesium-Hardside-Suitcase-Zipperless-Business/dp/B085M1CB6J> (Year: 2020).

Jan. 28, 2022—(JP) Office Action—App. No. 2019566933.

Mar. 29, 2022—(CN) First Office Action—Appl. No. 202080008216.6.

Home Depot, “Husky 37 in. Rolling Tool Box Utility Cart Black,” <https://www.homedepot.com/p/Husky-37-in-Rolling-Tool-Box-Utility-Cart-Black-209261/203668066>, visited Jun. 1, 2020.

WIPO, available at <https://www3.wipo.int/designdb/en/index.jsp> (Year: 2022).

Design No. 307261784, Jun. 16, 2021—China National Intellectual Property Administration (CNIPA) Publication Date—Apr. 15, 2022 Owner—Yeti Coolers LLC, Designer—Dustin Bullock WIPO, available at <https://www3.wipo.int/designdb/en/index.jsp> (Year: 2022).

Apr. 13, 2022—(MX) Notice of Allowance—App. No. MX/f/2020/003209.

Apr. 19, 2022—(JP) Office Action—App. No. 2021-012889.

Jun. 28, 2022—(JP) Office Action—App. No. 2021539546.

Jun. 8, 2022—(MX) Notice of Allowance—App. No. MX/f/2021/000209.

Jun. 8, 2022—(MX) Notice of Allowance—App. No. MX/f/2021/000210.

Jun. 8, 2022—(MX) Notice of Allowance—App. No. MX/f/2021/000211.

May 10, 2022—(JP) Office Action—App. No. 2021-012890.

Jul. 6, 2022—(AU) Examination Report No. 1—App. No. 2020204740.

Jul. 13, 2022—(CN) First Office Action—App. No. 202080025625.7.

Aug. 3, 2022—(EP) Extended Search Report—App. No. 22162500.7.

Aug. 29, 2022—(AU) Examination Report No. 1—App. No. 2020256255.

Sep. 2, 2022—(CN) Second Office Action—App. No. 202080008216.6.

Nordstrom.com, Rimowa Original Cabin 22-Inch Wheeled Carry-On, Oldest review dated Apr. 14, 2019, <https://www.nordstrom.com/s/rimowa-original-cabin-22-inch-wheeled-carry-on/5102644> (Year: 2019).

Youtube.com, Site visited Sep. 28, 2022, “Carl Friedrik ‘The Carry-On’ First Look,” published by Bo Ismono on Jun. 21, 2020 features the Carl Friedrik carry on, <https://youtu.be/XYCU00WAI04> (Year: 2020).

Amazon.com, site visited Sep. 29, 2022, SureSeal by FireKing Waterproof Fireproof Safe Chest, first available Aug. 10, 2012, <https://www.amazon.com/dp/B008VXQ72I> (Year: 2012).

bhphotovideo.com, site visited Sep. 29, 2022, Nanuk 935 Wheeled Hard Utility Case, oldest review dated Jul. 1, 2014, [https://www.bhphotovideo.com/c/product/1504694-REG/nanuk\\_935\\_6005\\_935\\_waterproof\\_hard\\_case.html](https://www.bhphotovideo.com/c/product/1504694-REG/nanuk_935_6005_935_waterproof_hard_case.html) (Year: 2014).

(56)

**References Cited**

OTHER PUBLICATIONS

Amazon.ca, Site visited Sep. 28, 2022, Delsey Titanium Spinner Luggage, First available Oct. 27, 2014, <https://www.amazon.ca/Delsey-Luggage-Titanium-Spinner-Trolley/dp/B00MQF0QTM?th=1> (Year: 2014).

Amazon.ca, Site visited Sep. 28, 2022, Nanuk Waterproof Hard Case, First available Nov. 13, 2019, <https://www.amazon.ca/Nanuk-Waterproof-Hard-Case-Wheels/dp/B07YXLQX4Z> (Year: 2019).

Sep. 27, 2022—(JP) Office Action—App. No. 2021-559258.

Oct. 8, 2022—(CN) OA—App No. 202110925931.2.

Bhphotovideo.com, Site visited Sep. 28, 2022, Pelican BA22 Elite Carry-On Luggage, Oldest review dated Sep. 23, 2017, [https://www.bhphotovideo.com/c/product/1073813-REG/pelican\\_lg\\_ba22\\_gryblk\\_22\\_elite\\_carry\\_on\\_luggage.html/reviews](https://www.bhphotovideo.com/c/product/1073813-REG/pelican_lg_ba22_gryblk_22_elite_carry_on_luggage.html/reviews) (Year: 2017).

\* cited by examiner

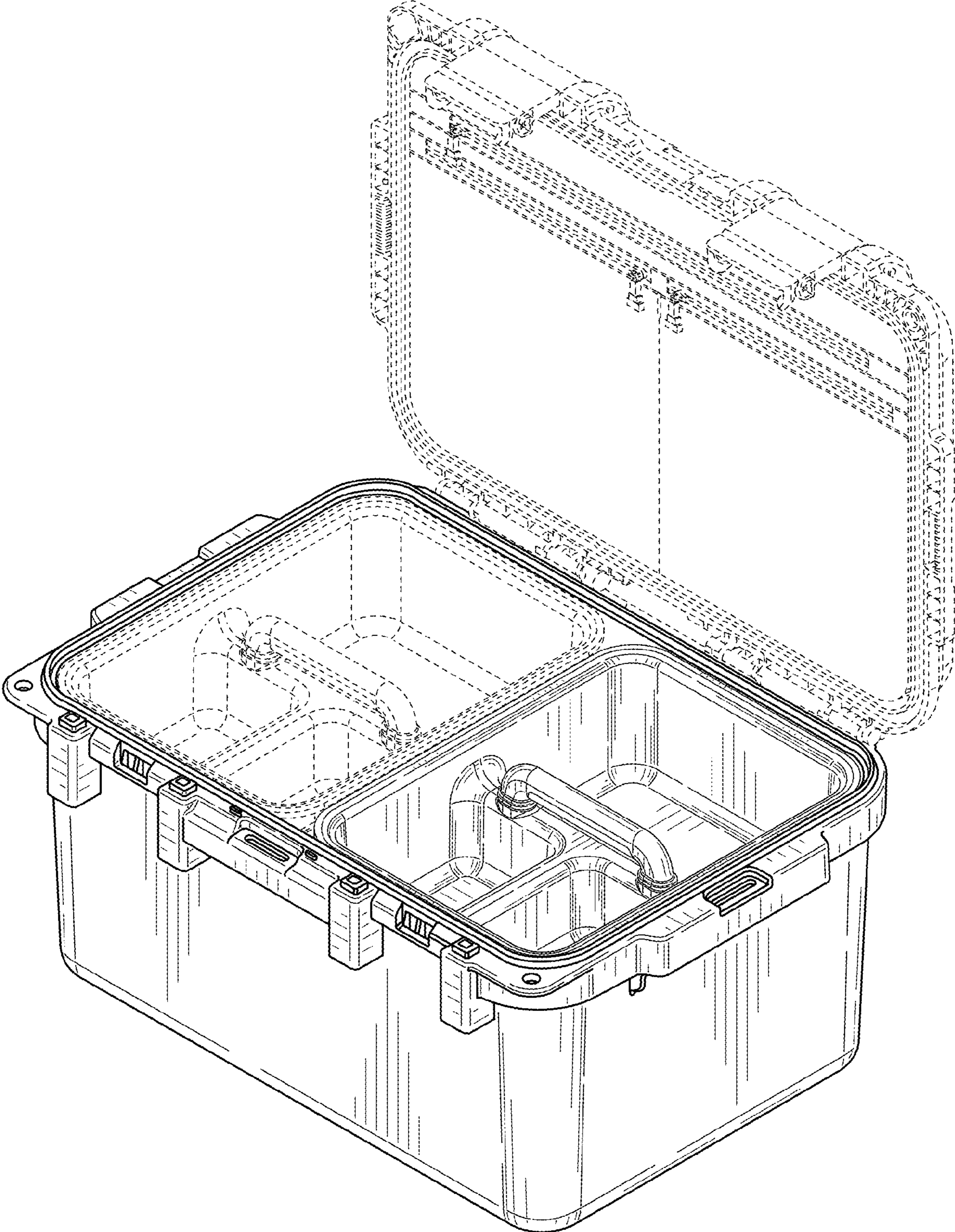


FIG. 1



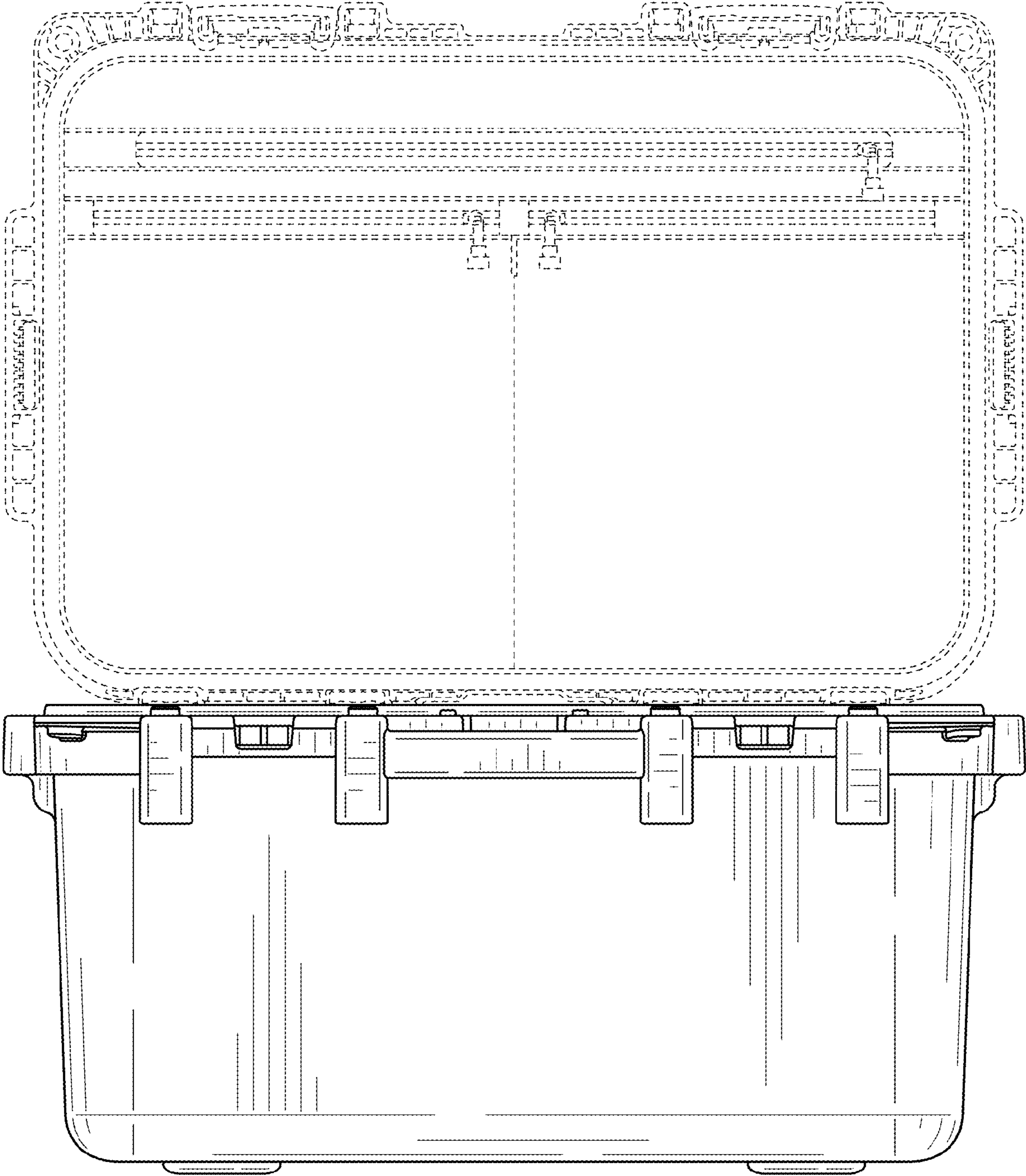


FIG. 2

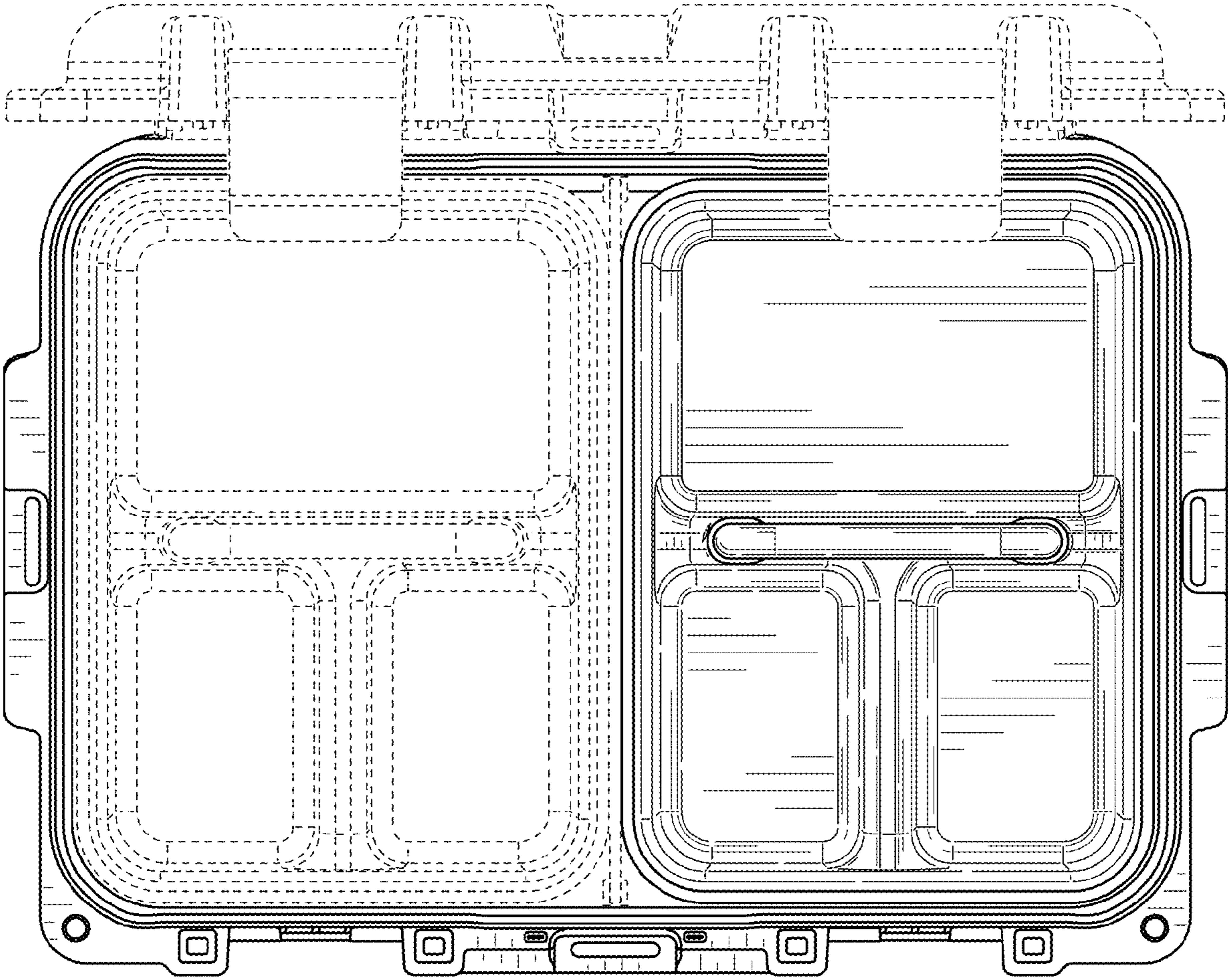


FIG. 3

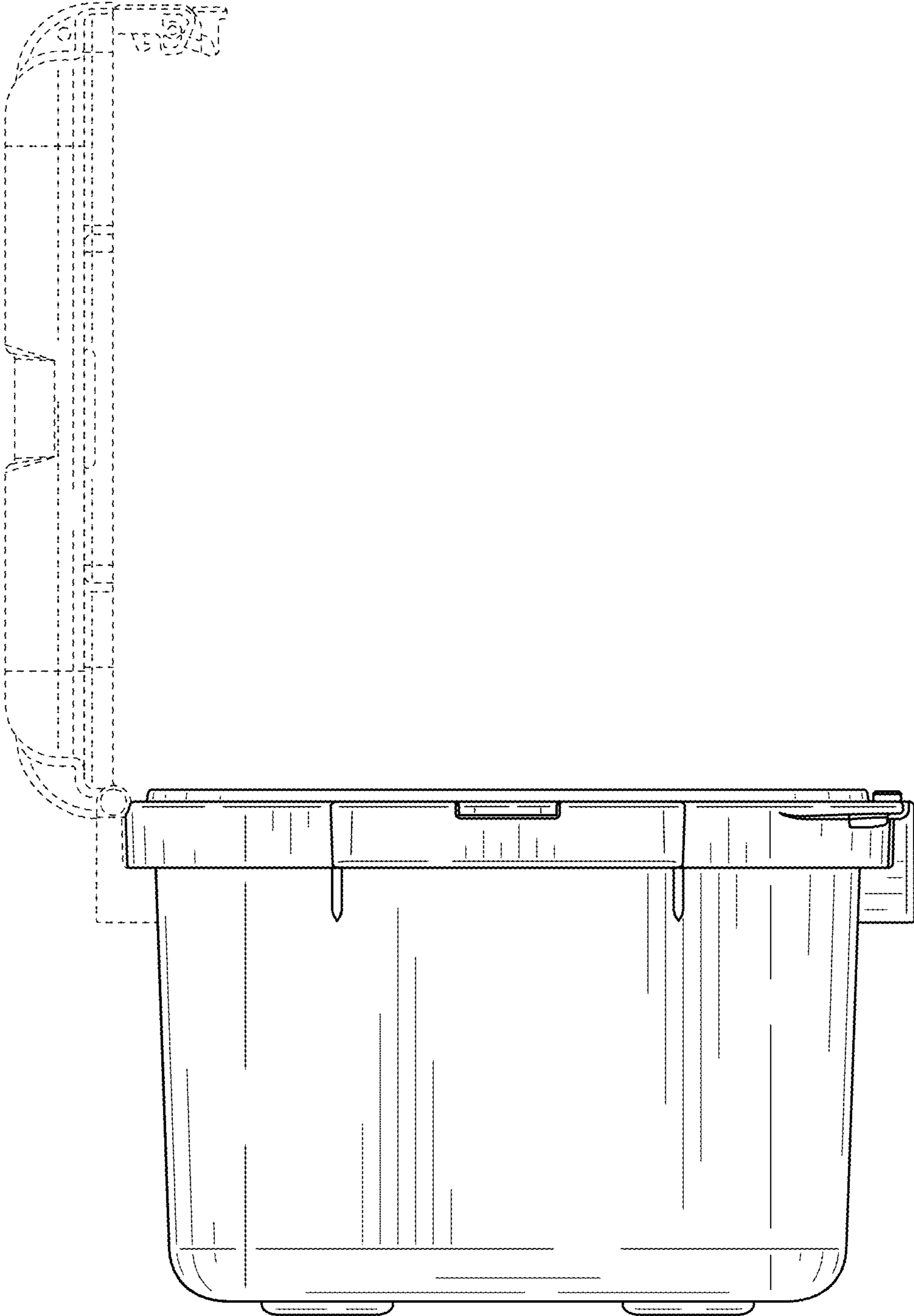


FIG. 4

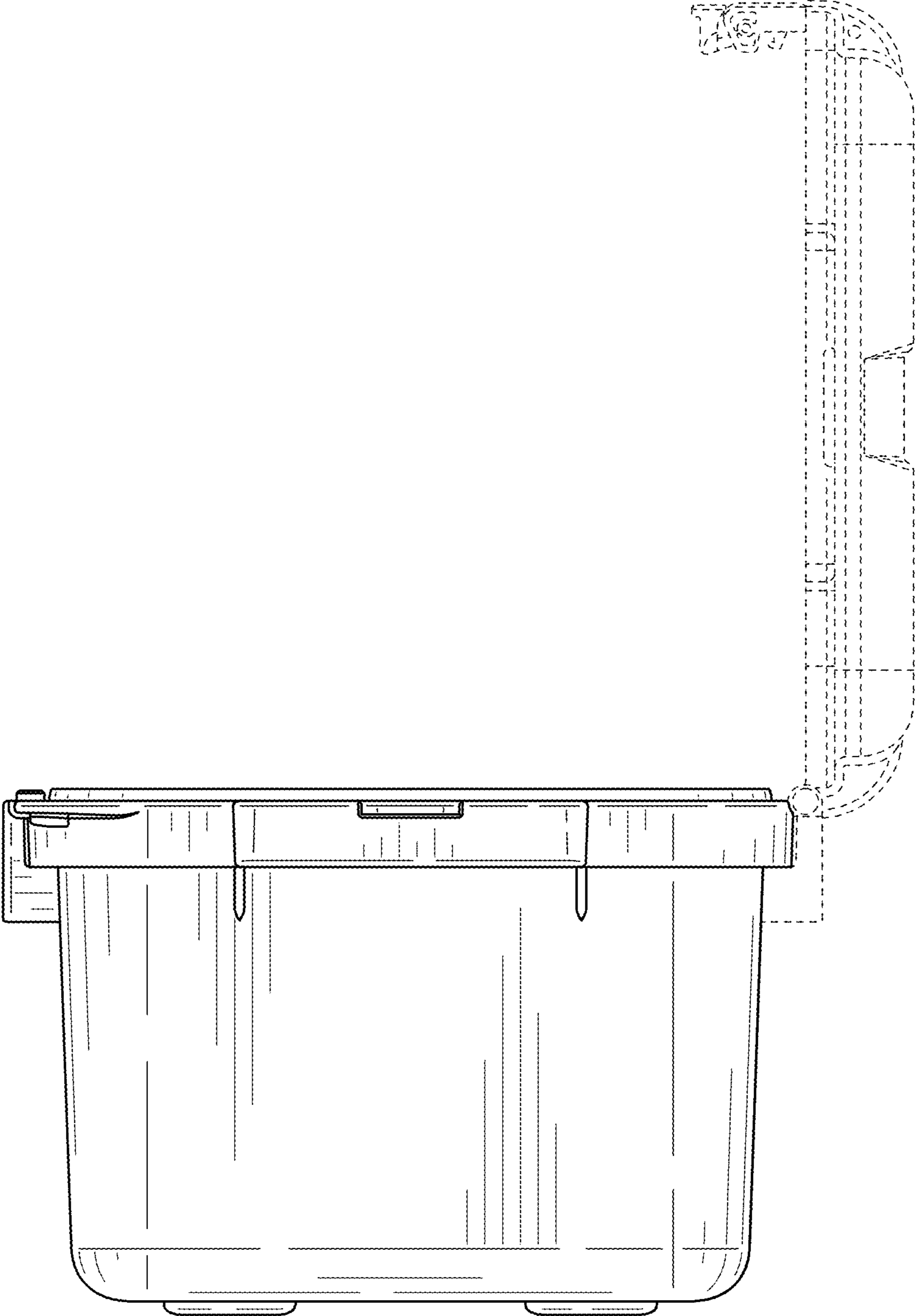


FIG. 5

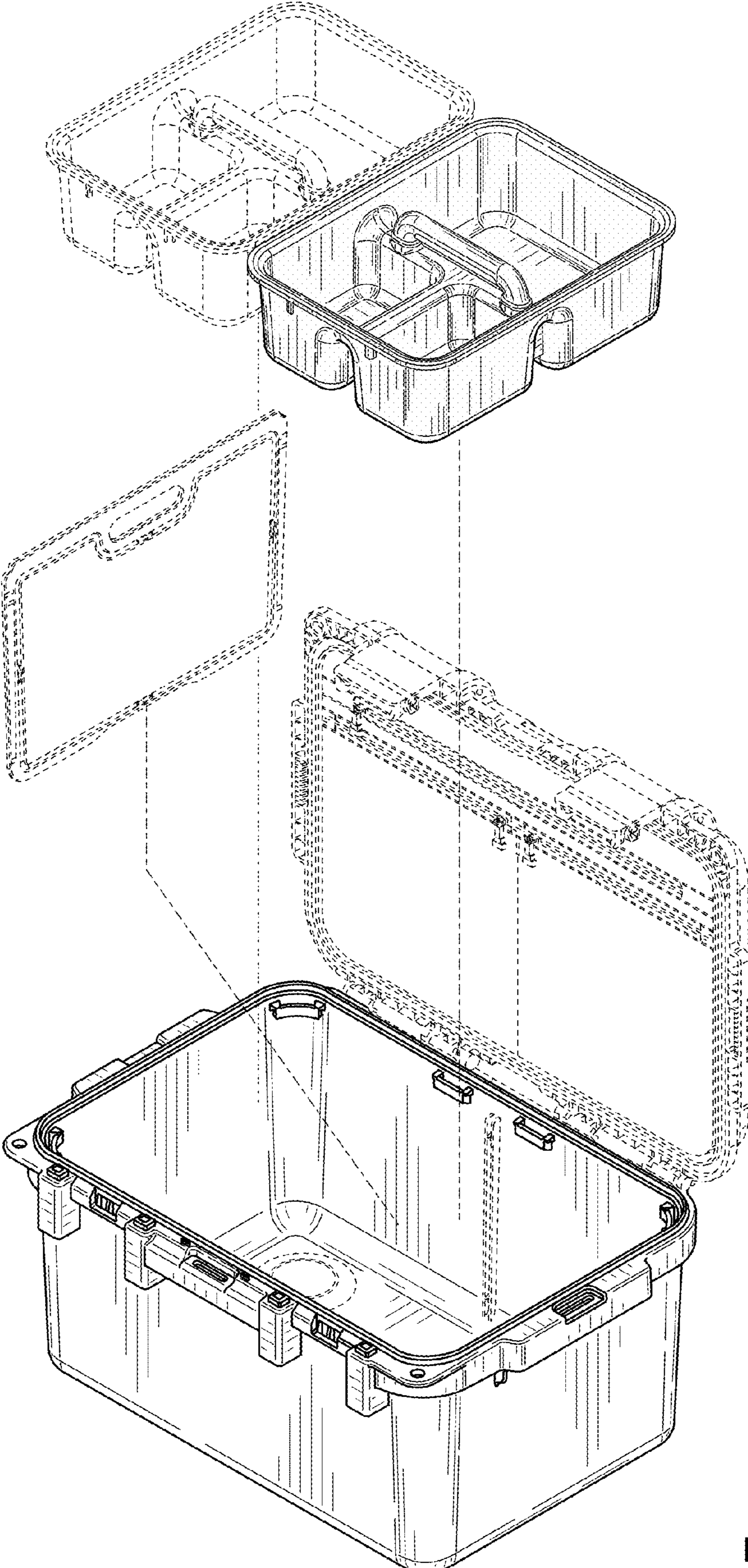


FIG. 6