



US0D1033103S

(12) **United States Design Patent** (10) **Patent No.:** **US D1,033,103 S**
Yu (45) **Date of Patent:** **** Jul. 2, 2024**

(54) **ADJUSTABLE STAND BASE**

FOREIGN PATENT DOCUMENTS

(71) Applicant: **US GINZZU INC**, Houston, TX (US)

CN 306938956 * 11/2021
CN 308462552 * 2/2024
SG U2004465 C * 1/1999

(72) Inventor: **Yindi Yu**, Shangrao (CN)

(73) Assignee: **US GINZZU INC**

OTHER PUBLICATIONS

(**) Term: **15 Years**

Wen: MB500 Heavy Duty 500-Pound Capacity Universal Mobile Base for Tools and Machines <https://amzn.asia/d/bEAxrTI>, Feb. 28, 2019 (Year: 2019).*

(21) Appl. No.: **29/927,052**

Bora: Portamate PM-1000. Adjustable Universal Mobile Base, Move Your Heavy Tools and Equipment around Your Shop with Ease and Stability Black <https://amzn.asia/d/2UNdff7>, Jan. 1, 2024 (Year: 2024).*

(22) Filed: **Feb. 2, 2024**

(51) **LOC (14) Cl.** **12-02**

(52) **U.S. Cl.**

USPC **D34/23**; D32/25

(58) **Field of Classification Search**

USPC D6/663, 705, 708; D32/1, 3-6, 25, 58;
D34/23, 27

CPC B62B 1/04; B62B 1/12

See application file for complete search history.

* cited by examiner

Primary Examiner — Bao-Yen T Nguyen

Assistant Examiner — Bethany Louise Mallino

(57) **CLAIM**

The ornamental design for an adjustable stand base, as shown and described.

DESCRIPTION

(56) **References Cited**

U.S. PATENT DOCUMENTS

D415,868 S *	10/1999	Hewitt	D34/27
D472,028 S *	3/2003	Stahl	D34/23
6,886,787 B2 *	5/2005	Stahl	B62B 3/1476
				206/508
D617,582 S *	6/2010	Zalewski	D6/708
D634,567 S *	3/2011	Zalewski	D6/708
D650,545 S *	12/2011	Malone, Jr.	D34/23
D887,103 S *	6/2020	Tan	D34/23
D917,823 S *	4/2021	Cutler	D34/23
D943,317 S	2/2022	Lin		
D967,465 S *	10/2022	Rollins	D25/152
D982,859 S *	4/2023	Lee	D32/25
D1,012,989 S *	1/2024	Zhu	D15/89
D1,017,935 S *	3/2024	Zhu	D32/25
2021/0214879 A1 *	7/2021	Lee	D06F 39/125

FIG. 1 is a top perspective view of an adjustable stand base, showing my new design;

FIG. 2 is a bottom perspective view thereof;

FIG. 3 is a front view thereof;

FIG. 4 is a rear view thereof;

FIG. 5 is a left side view thereof;

FIG. 6 is a right side view thereof;

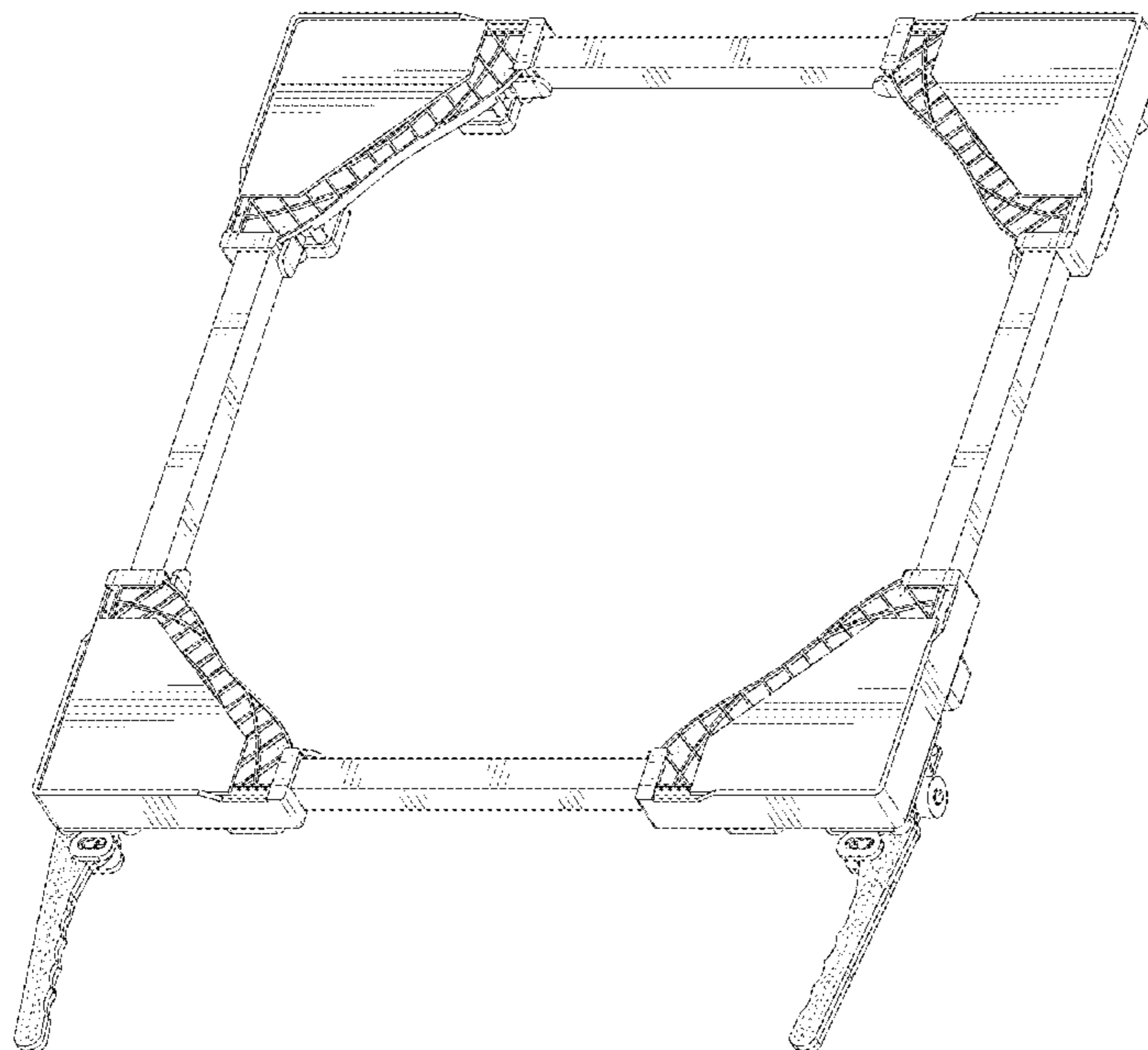
FIG. 7 is a top view thereof;

FIG. 8 is a bottom view thereof; and,

FIG. 9 is its folded state diagram.

The broken lines in the drawings illustrate the portions of the adjustable stand base, which form no part of the claimed design.

1 Claim, 9 Drawing Sheets



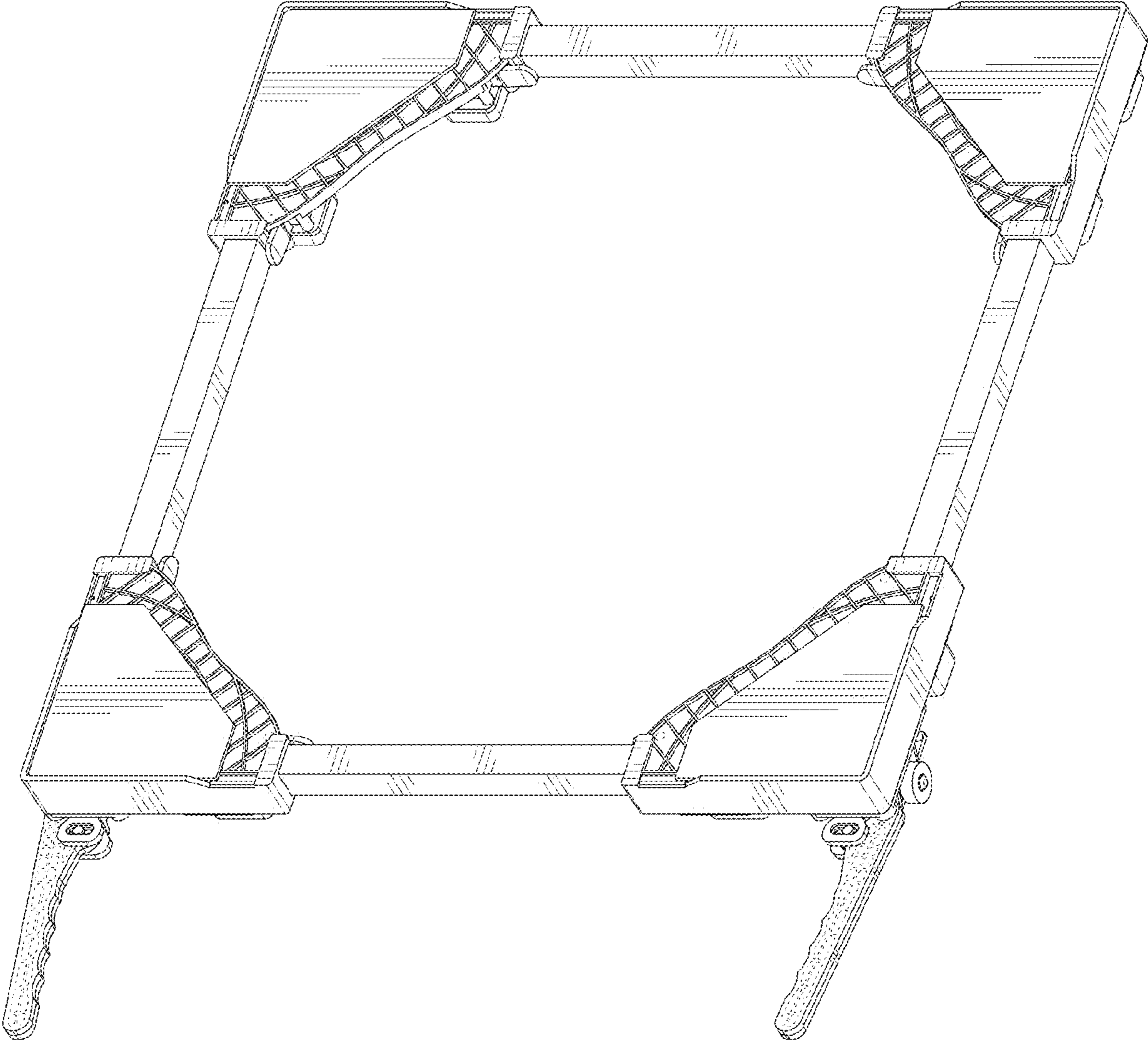


FIG. 1

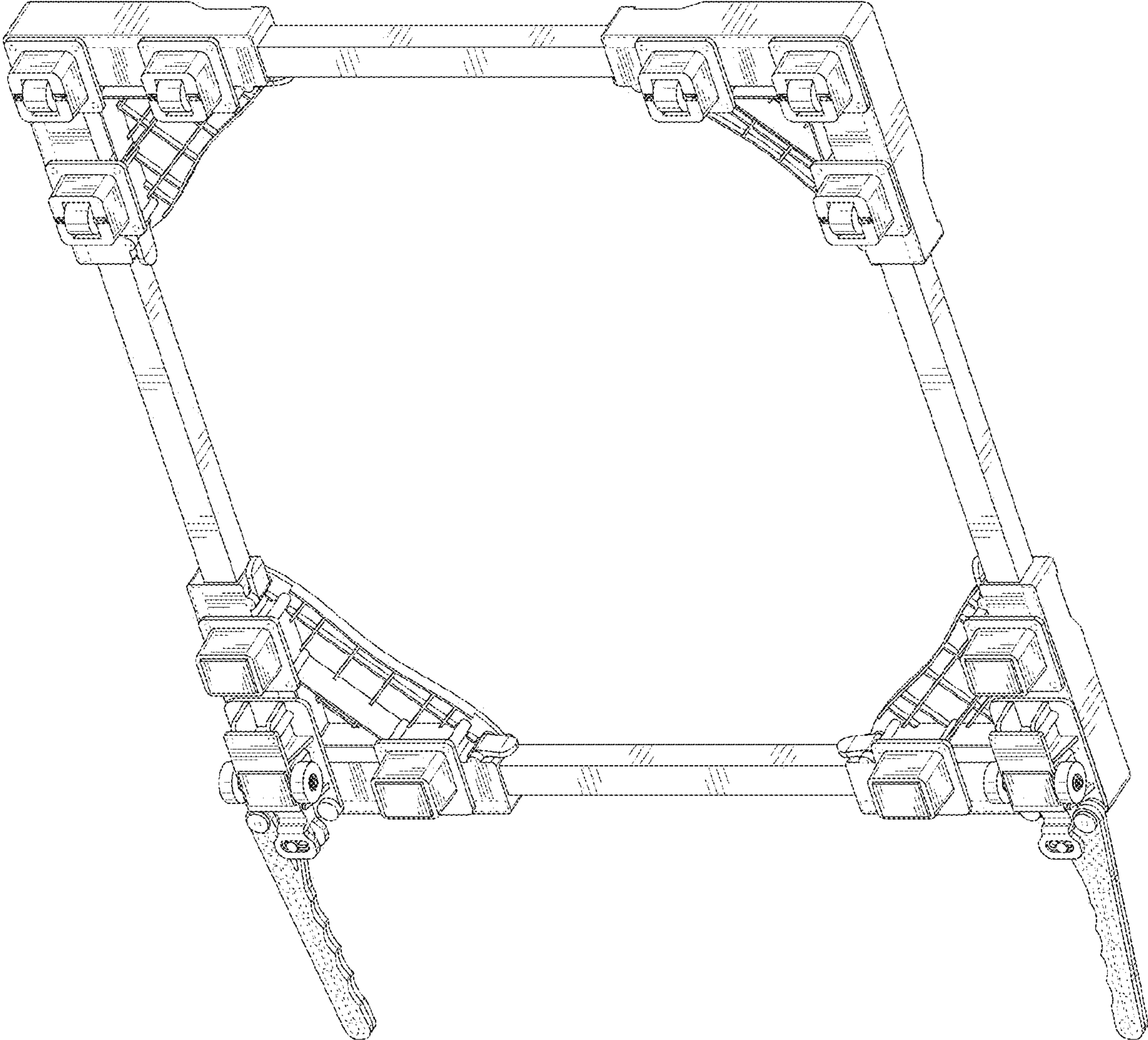


FIG. 2

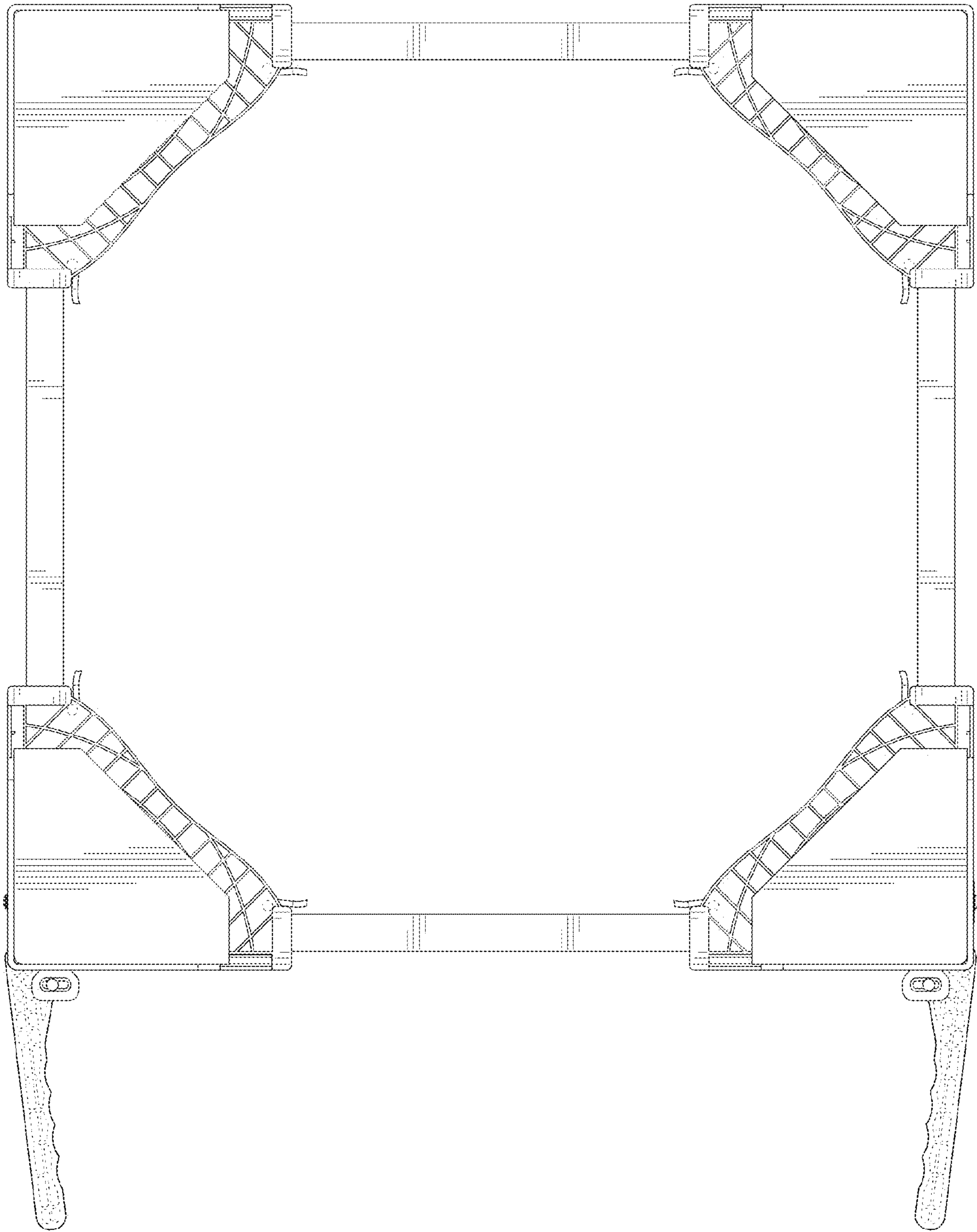


FIG. 3

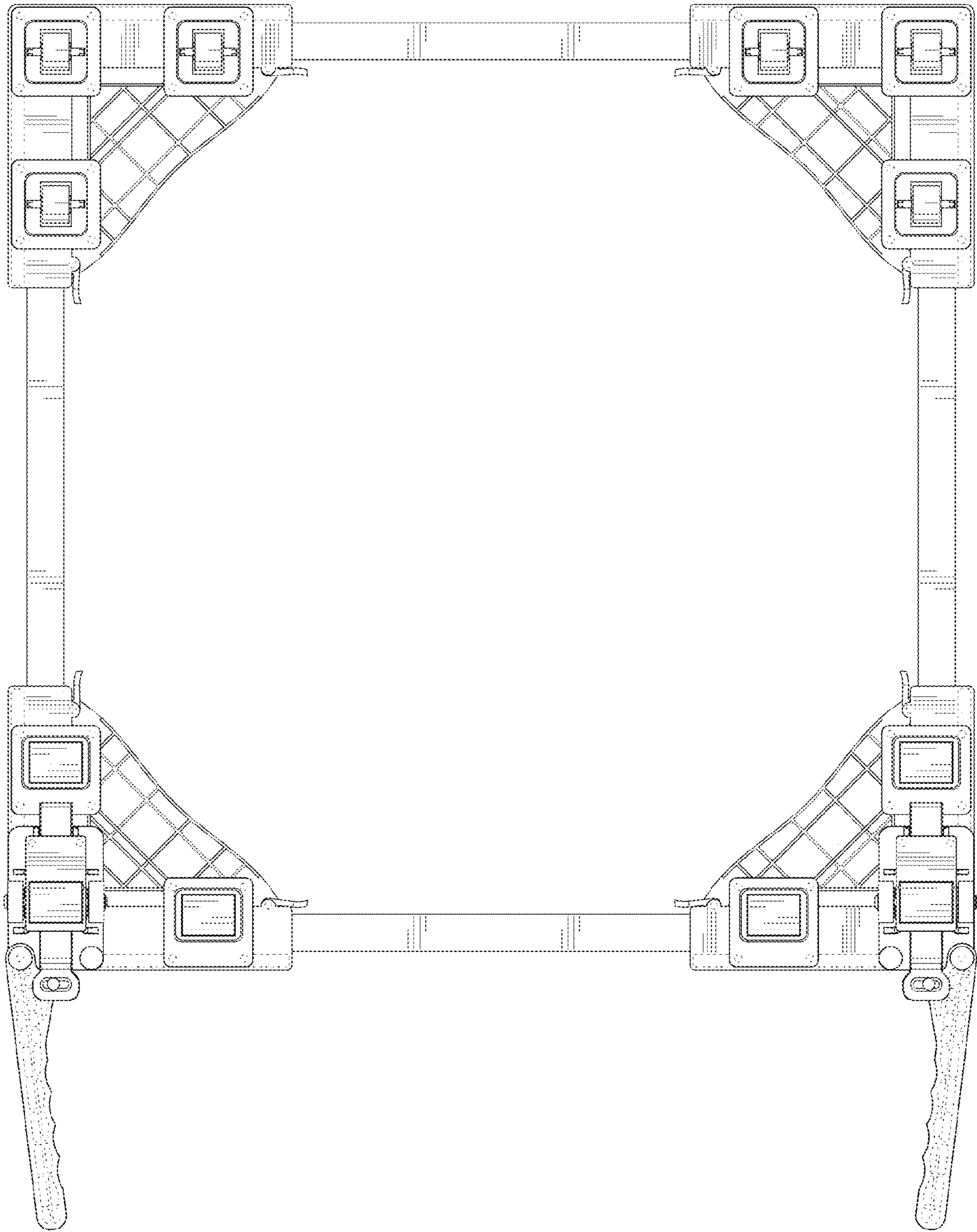


FIG. 4

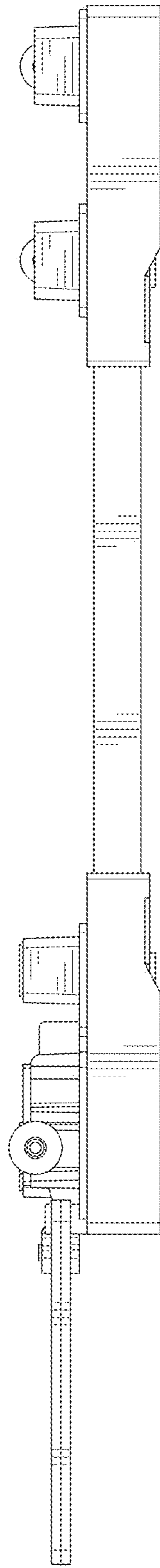


FIG. 5

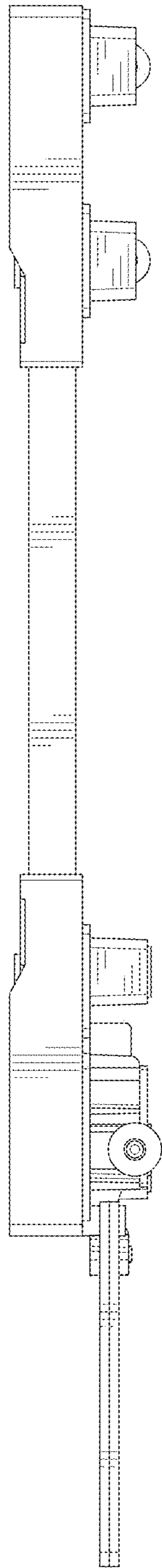


FIG. 6

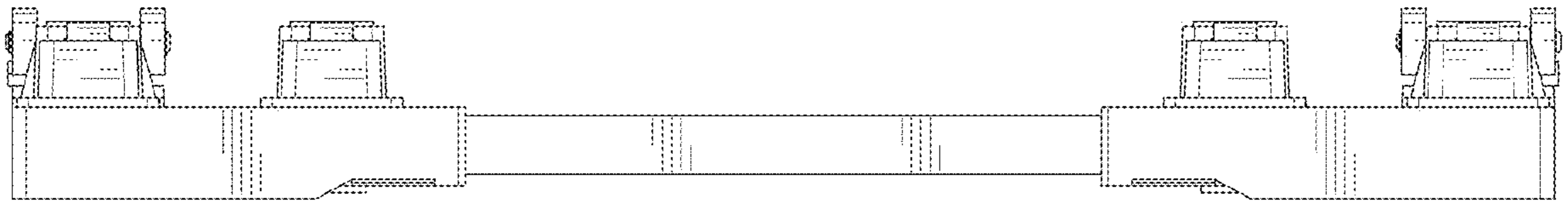


FIG. 7

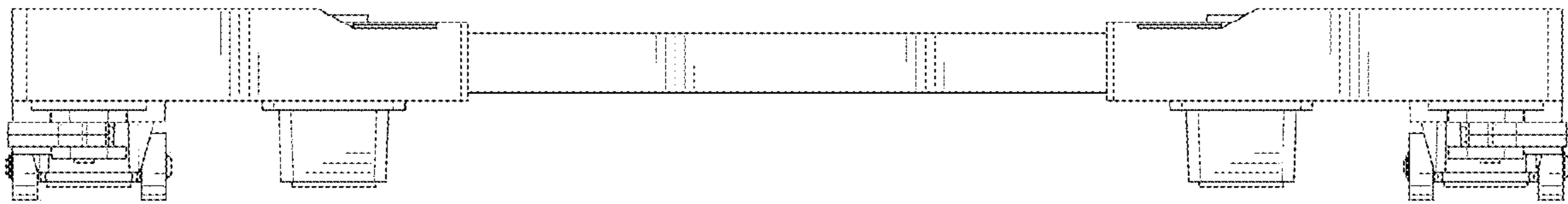


FIG. 8

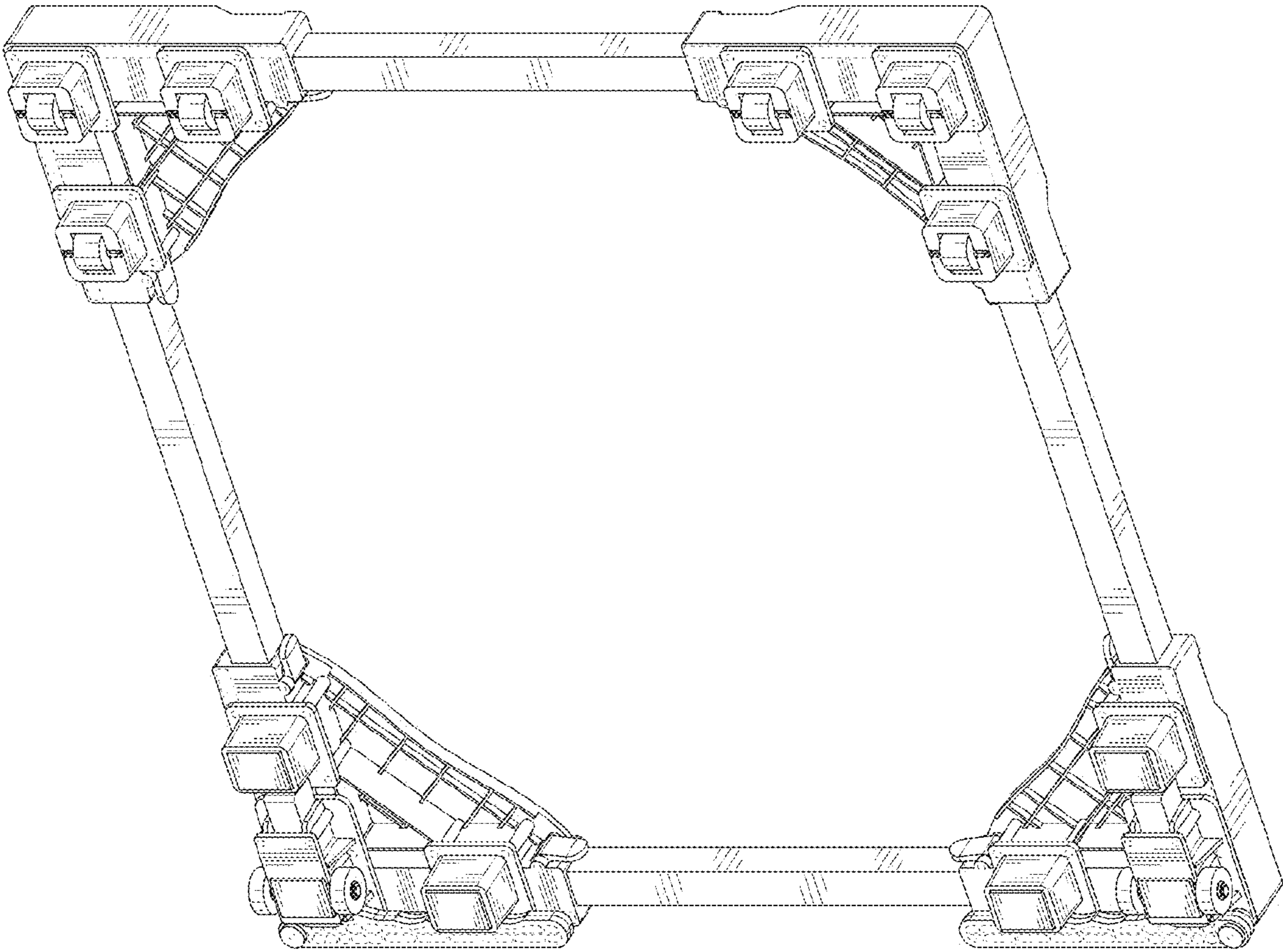


FIG. 9