



US0D1033098S

(12) **United States Design Patent** (10) **Patent No.: US D1,033,098 S**
Wolfe (45) **Date of Patent: ** Jul. 2, 2024**

(54) **CHAIN AND BINDER LOCKING RACK**

(71) Applicant: **Paul Wolfe**, Bridgeport, TX (US)

(72) Inventor: **Paul Wolfe**, Bridgeport, TX (US)

(**) Term: **15 Years**

(21) Appl. No.: **29/844,371**

(22) Filed: **Jun. 28, 2022**

(51) **LOC (14) Cl.** **06-04**

(52) **U.S. Cl.**
USPC **D6/682.2**

(58) **Field of Classification Search**
USPC D6/681, 681.2, 681.3, 682, 682.1, 682.2,
D6/682.3, 682.4, 552, 672, 680.3, 681.1,
D6/682.6, 405
CPC A47F 7/24; A47F 5/04; A47F 5/02; A47F
7/02; A47F 5/13; A47F 5/10; A47F
5/0006; A47F 7/04; A47F 5/108; A47F
7/06; A47B 81/005; A47B 43/00; A47B
81/00; A47B 45/00; A47B 46/00
See application file for complete search history.

(56) **References Cited**

U.S. PATENT DOCUMENTS

- D44,078 S * 5/1913 Treadway D6/682.4
- D49,246 S * 6/1916 Yarbough D6/682.4
- D162,207 S * 2/1951 Mettenleiter 211/64
- D237,931 S * 12/1975 Brandenfels D6/675.1
- D292,457 S * 10/1987 Hunter D6/682.2
- D312,016 S * 11/1990 Montgomery D6/552
- D325,136 S * 4/1992 Lucht D6/682.6
- 5,785,184 A * 7/1998 Metselaar E05B 69/006
70/59
- D434,587 S * 12/2000 Beard, Sr. D6/552
- D464,215 S * 10/2002 Patchen D6/682.2
- D499,672 S * 12/2004 Thompson D12/115
- D550,983 S * 9/2007 Van Es D6/675.3
- 7,878,338 B2 * 2/2011 Maxson E04G 5/004
211/41.15

- D650,611 S * 12/2011 Melhart D6/682.4
- D941,605 S * 1/2022 Yang D6/552
- D955,145 S * 6/2022 Huang D6/681
- D966,018 S * 10/2022 Huang D6/681.2
- D986,624 S * 5/2023 Jia D6/675.3
- D999,003 S * 9/2023 Su D6/682.4

(Continued)

FOREIGN PATENT DOCUMENTS

- CA 114471 * 8/2006
- CN 306937322 * 11/2021

OTHER PUBLICATIONS

Conquip Chain Storage Rack, Conquip Listing (Post Date Unknown), Retrieved from the Internet (Mar. 1, 2024), URL: <https://cqegroup.com/uk/product/site-equipment/chain-storage-rack/> (Year: 2024).*
(Continued)

Primary Examiner — Steven J Czyz
Assistant Examiner — Varun Salil Kamat
(74) *Attorney, Agent, or Firm* — Barry Choobin; Patent 360

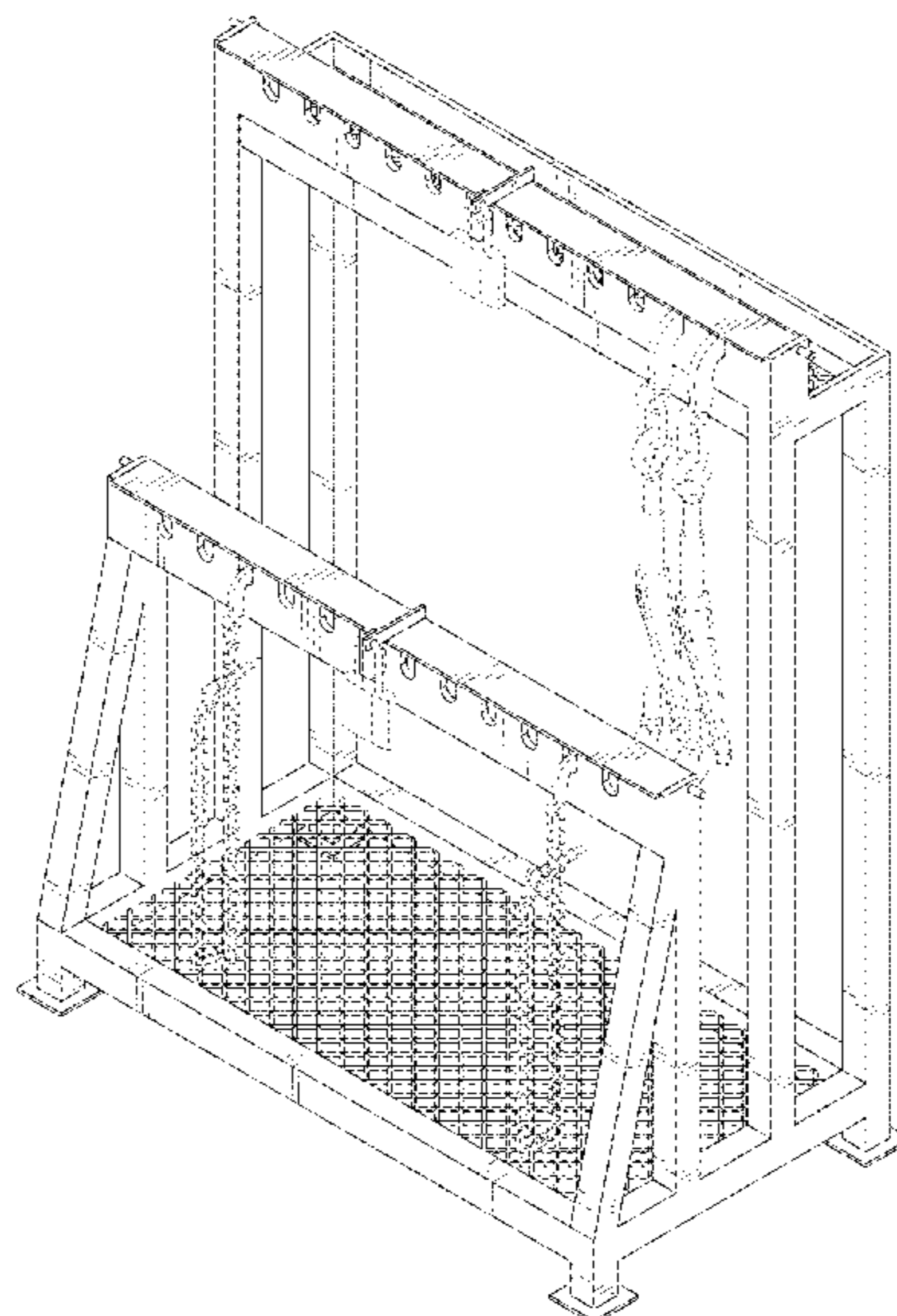
(57) **CLAIM**

The ornamental design for a chain and binder locking rack, as shown and described.

DESCRIPTION

FIG. 1 is a perspective view of a chain and binder locking rack, showing my new design;
FIG. 2 is a front view thereof;
FIG. 3 is a rear view thereof;
FIG. 4 is a left side view thereof;
FIG. 5 is a right side view thereof;
FIG. 6 is a top view thereof; and,
FIG. 7 is a bottom view thereof.
The broken lines depict environment and portions of the article that form no part of the claimed design.

1 Claim, 7 Drawing Sheets



(56)

References Cited

U.S. PATENT DOCUMENTS

D999,556 S * 9/2023 Wang D6/681.2
D1,003,074 S * 10/2023 Mai D6/681.2
D1,010,370 S * 1/2024 Kivshar D6/682
D1,015,031 S * 2/2024 Wang D6/681.2

OTHER PUBLICATIONS

Bendtech Steel Chain Rack, Bendtech Listing (Post Date Unknown),
Retrieved from the Internet (Mar. 1, 2024), URL: <https://www.bendtechdefence.com.au/product/steel-chain-rack/> (Year: 2024).*

* cited by examiner

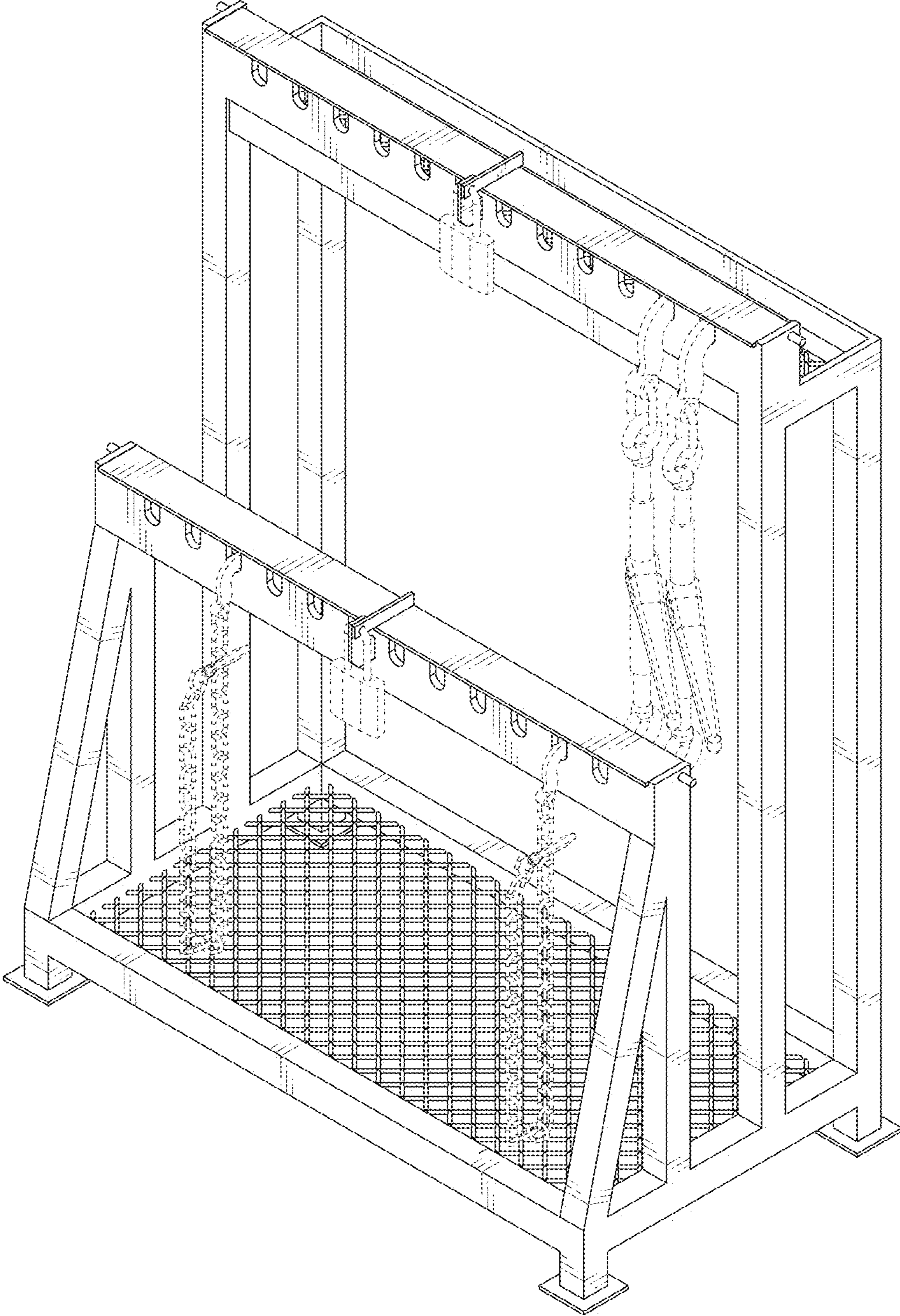


FIG.1

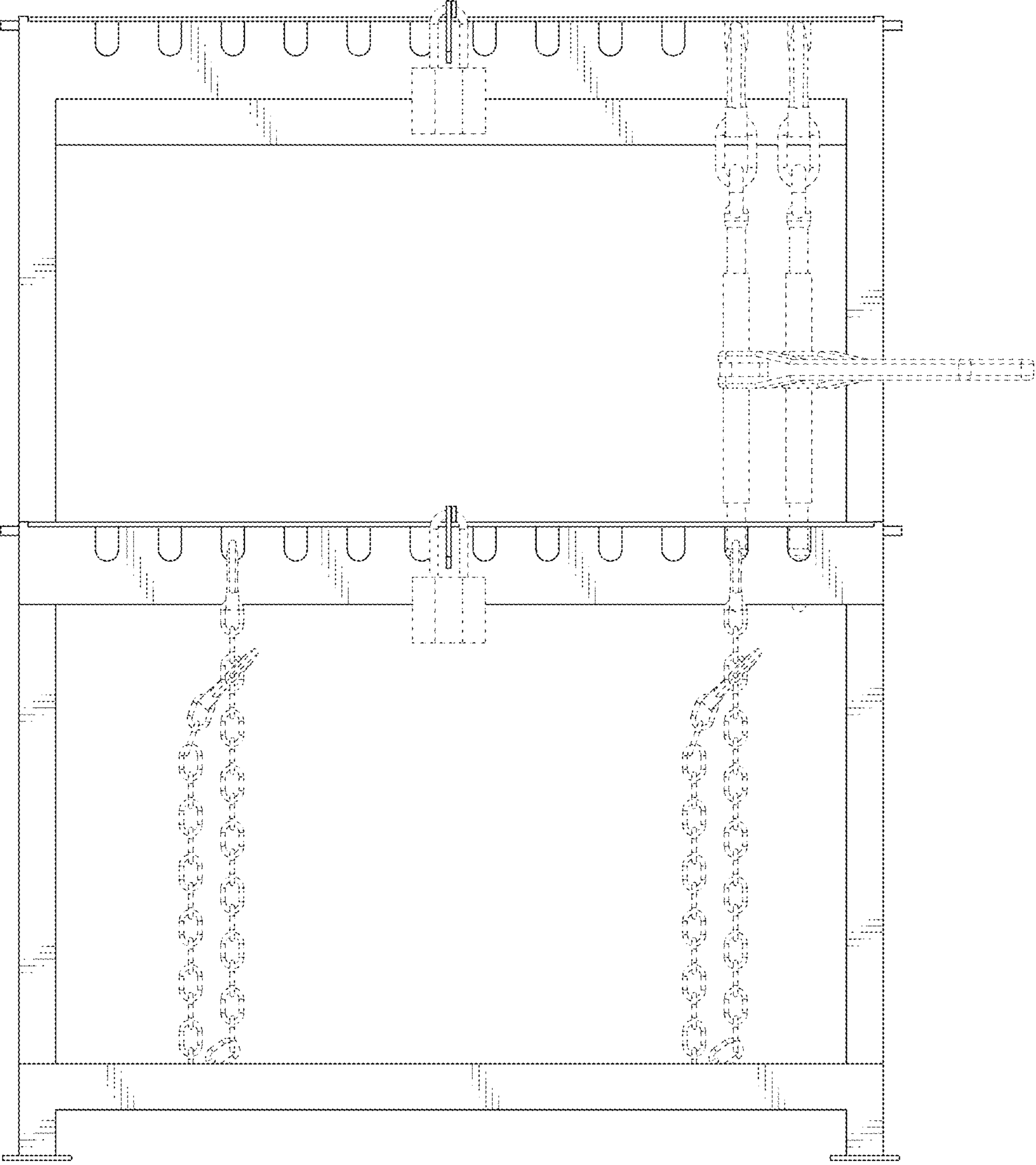


FIG.2

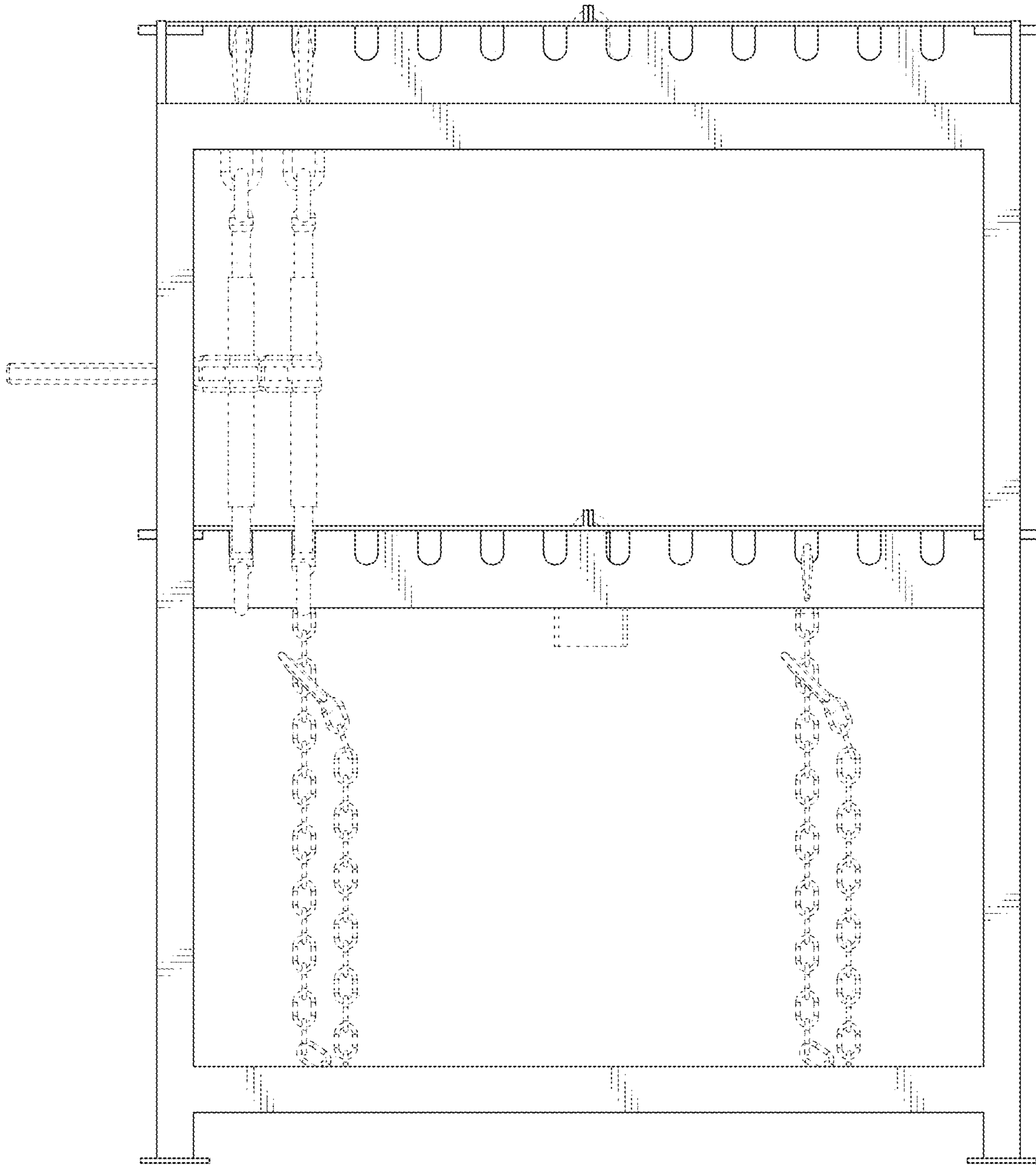


FIG.3

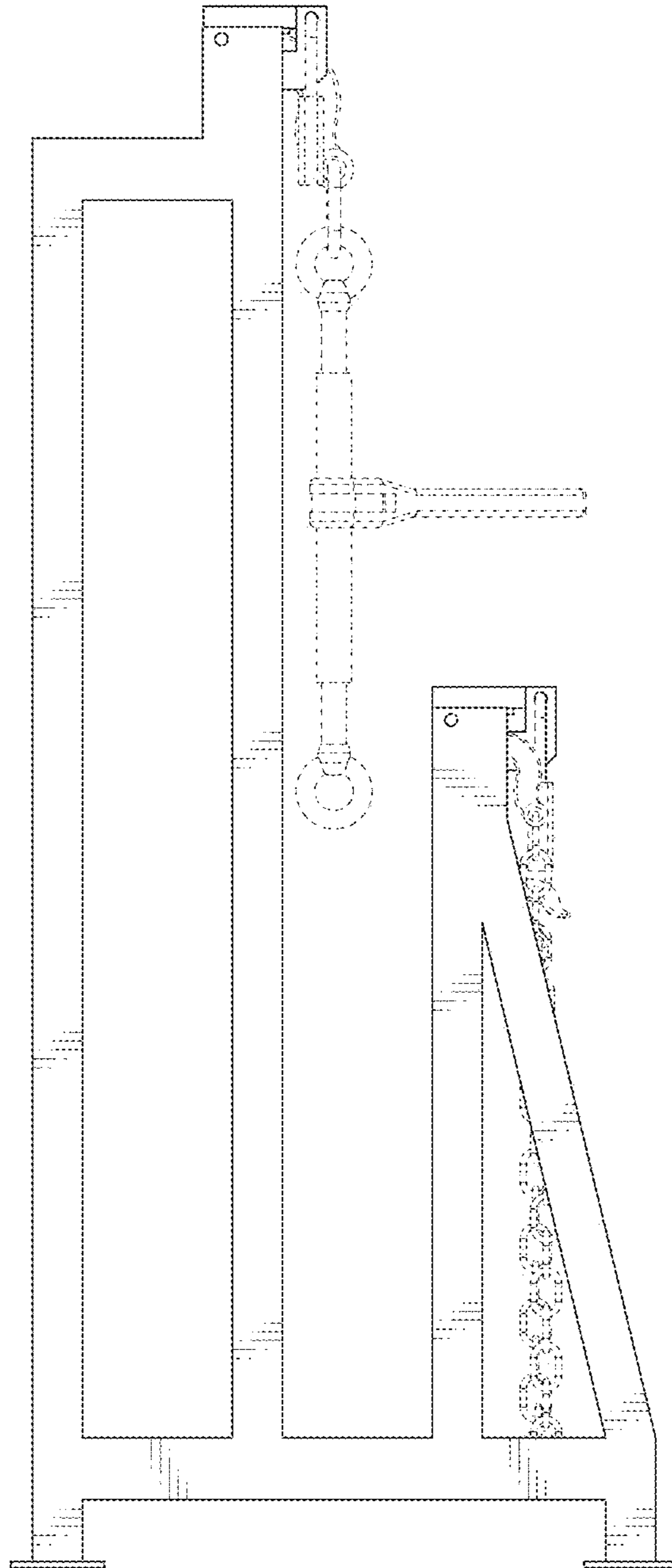


FIG. 4

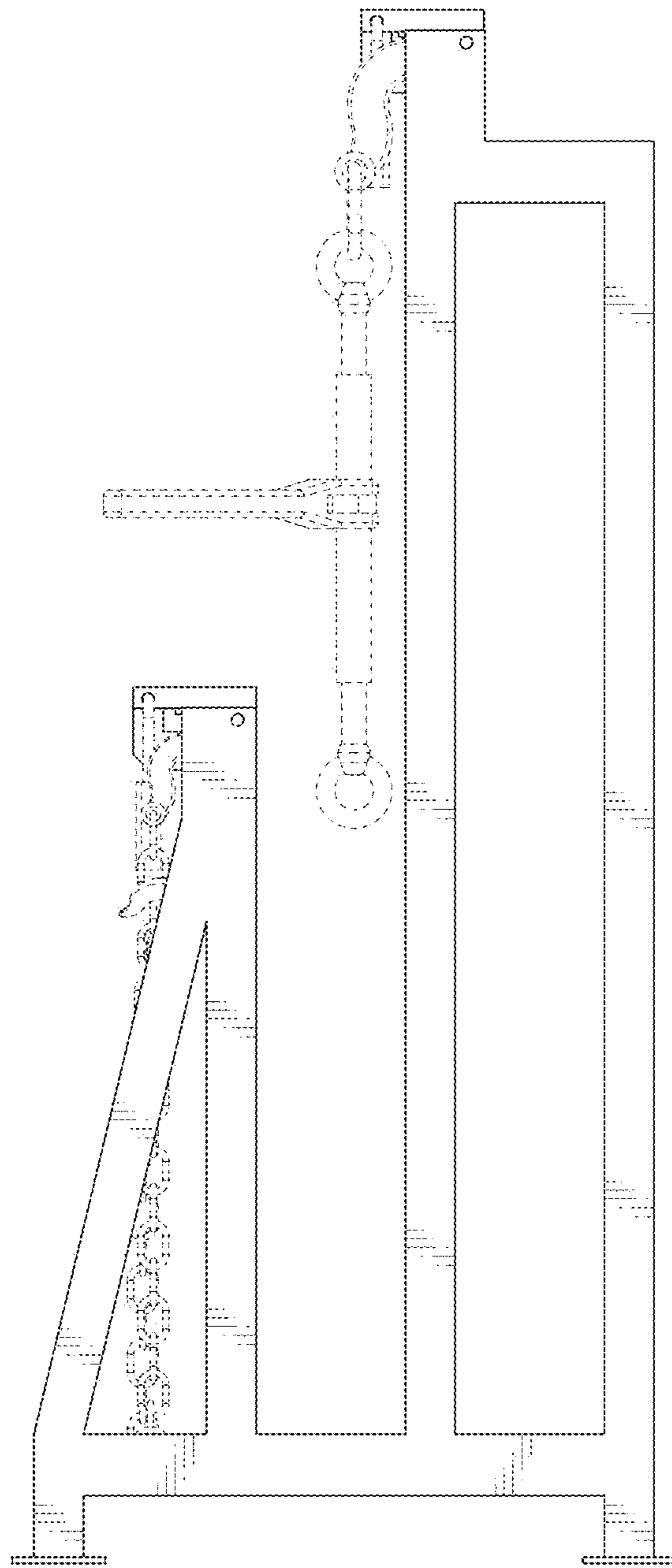


FIG.5

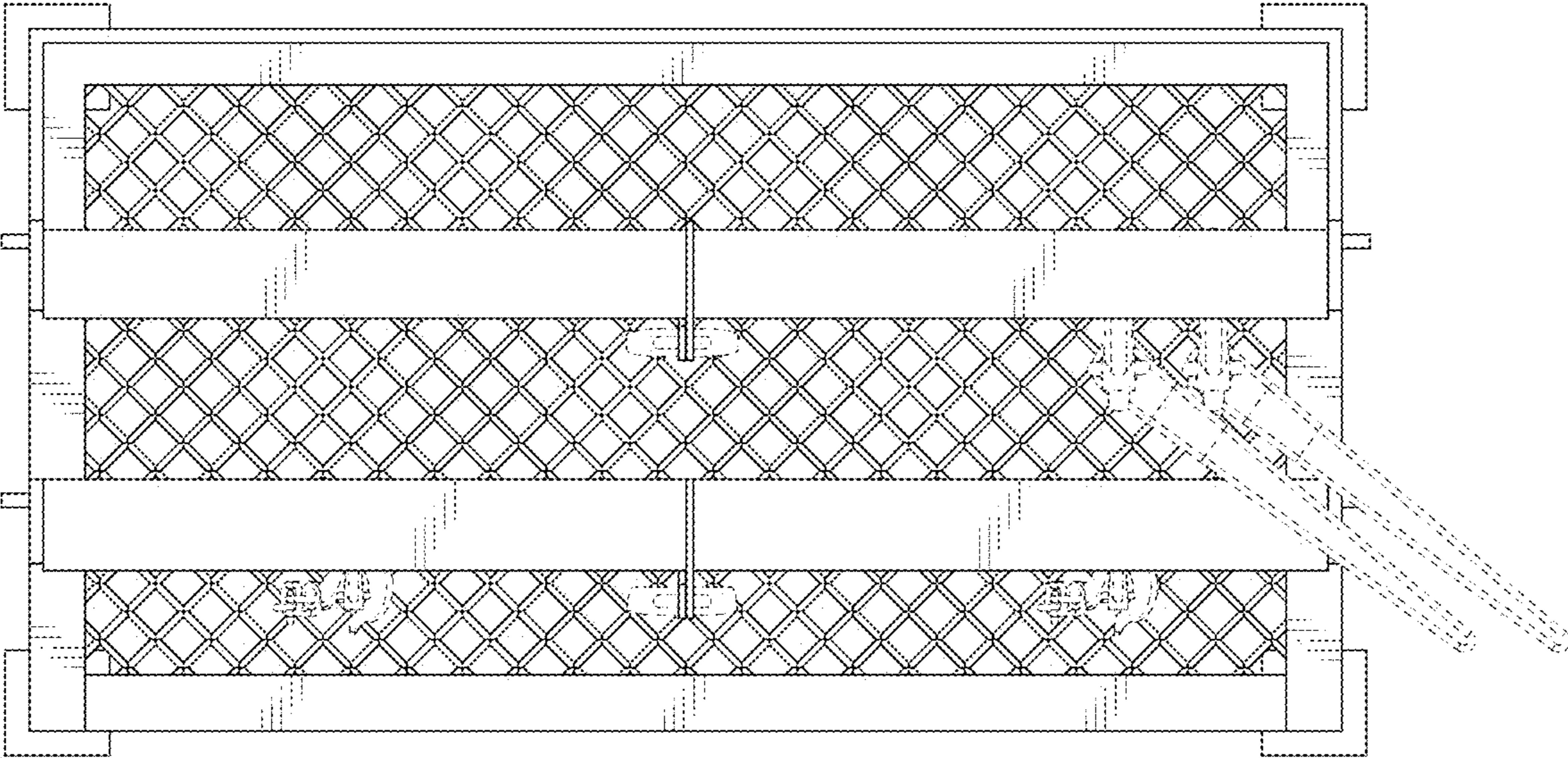


FIG.6

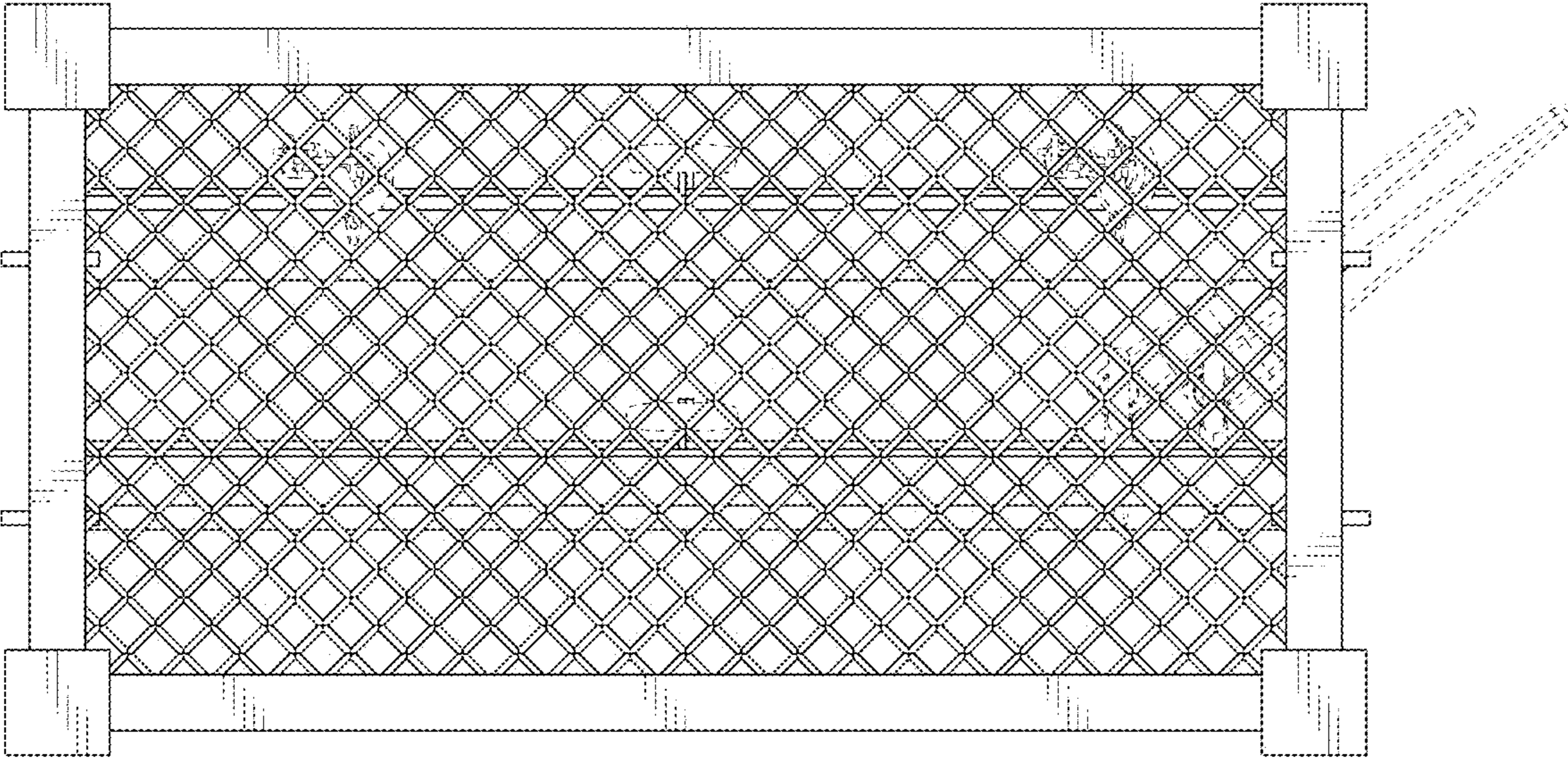


FIG.7