



US0D1033048S

(12) **United States Design Patent** (10) **Patent No.:** **US D1,033,048 S**
Yi (45) **Date of Patent:** **** Jul. 2, 2024**

(54) **LOADER HOLSTER**

(71) Applicant: **Wei Yi**, Shenzhen (CN)

(72) Inventor: **Wei Yi**, Shenzhen (CN)

(**) Term: **15 Years**

(21) Appl. No.: **29/780,060**

(22) Filed: **Apr. 22, 2021**

(51) **LOC (14) Cl.** **03-01**

(52) **U.S. Cl.**
USPC **D3/222**

(58) **Field of Classification Search**

USPC D3/221, 222, 228, 328, 224; D22/108,
D22/109, 110; D6/552

CPC F41A 23/18; F41C 33/06; F41C 33/006;
F41C 33/0245; F41C 33/0272; F41C
33/048; A45F 5/00; A45F 5/102; A45F
2200/05

See application file for complete search history.

(56) **References Cited**

U.S. PATENT DOCUMENTS

D882,718 S *	4/2020	Wu	D22/110
D903,810 S *	12/2020	Wu	D22/110
D919,740 S *	5/2021	Wang	D22/110
D923,132 S *	6/2021	Wang	D22/109
D928,906 S *	8/2021	Jin	D22/110
D945,152 S *	3/2022	Wu	D3/222
D963,781 S *	9/2022	Ye	D22/110
D971,593 S *	12/2022	Wu	D3/222
11,619,464 B2 *	4/2023	Cerda	B60R 7/14 248/205.3
2020/0049444 A1 *	2/2020	Cerda	B60R 7/14
2022/0299286 A1 *	9/2022	Featherston, Jr.	F41A 23/18

FOREIGN PATENT DOCUMENTS

KR 300654290.0000 * 7/2012

OTHER PUBLICATIONS

Huicocy Gun Magnets . . . , [online]; [published to internet May 26, 2021]; [retrieved from internet Jun. 21, 2023]; URL: https://www.amazon.com/dp/B094DNCQ15/ref=sspa_dk_detail_0?ie=UTF8

&psc=1&pd_rd_i=&pd_rd_i=B094DNCQ15p13NParams&s=sporting-goods&sp_csd=d2lkZ2V0TmFtZT1zcF9kZXRhaWxfdGhlbWF0aWM. (8 pages). Year: 2021.*
Magnetic Gun Mount, Gun Magnets . . . , [online]; [published to internet Dec. 28, 2022]; [retrieved from internet Jun. 21, 2023]; URL: https://www.amazon.com/ACCTOLF-Magnetic-Magazine-Concealed-Accessories/dp/B0BR6GRLFV/ref=sr_1_48?keywords=magnetic+holster&qid=1686066770&sr=8-48. (5 pages). Year: 2022.*
GMW Gun Magnet 43lbs . . . , [online]; [published to internet Jun. 22, 2020]; [retrieved from internet Jun. 21, 2023]; URL: see Reference "X" and "U" below. (5 pages). Year: 2020.*
https://www.amazon.com/GMW-Quickdraw-Holster-Cavalry-Magnetic/dp/B08733ZVQ9/ref=sr_1_19_sspa?keywords=gmw+holster&qid=1686065940&sprefix=GMW+hol%2Caps%2C87&sr=8-19-spons&psc=1&spLa=ZW5jcnlwdGVkUXVhbGlmaWVyPUExVVJRS1NGSIQxTEhGJmVuY3J5cHRIZEikPUEwODEwNzI2M1UxNUg2SVQyMIBONCZlbnNyeXB0ZWRBZEikPUEwMjQyMjA3MkMzMldMU1RkUUIVNSZ3aWRnZXROYW1lPXNwX210ZiZhY3Rpb249Y2xpY2tSZWRpcmVjdCZkb05vdExvZ0NsaWNrPXRYdWU=.

* cited by examiner

Primary Examiner — Leanne Was-Englehart
(74) *Attorney, Agent, or Firm* — Xuan Zhang

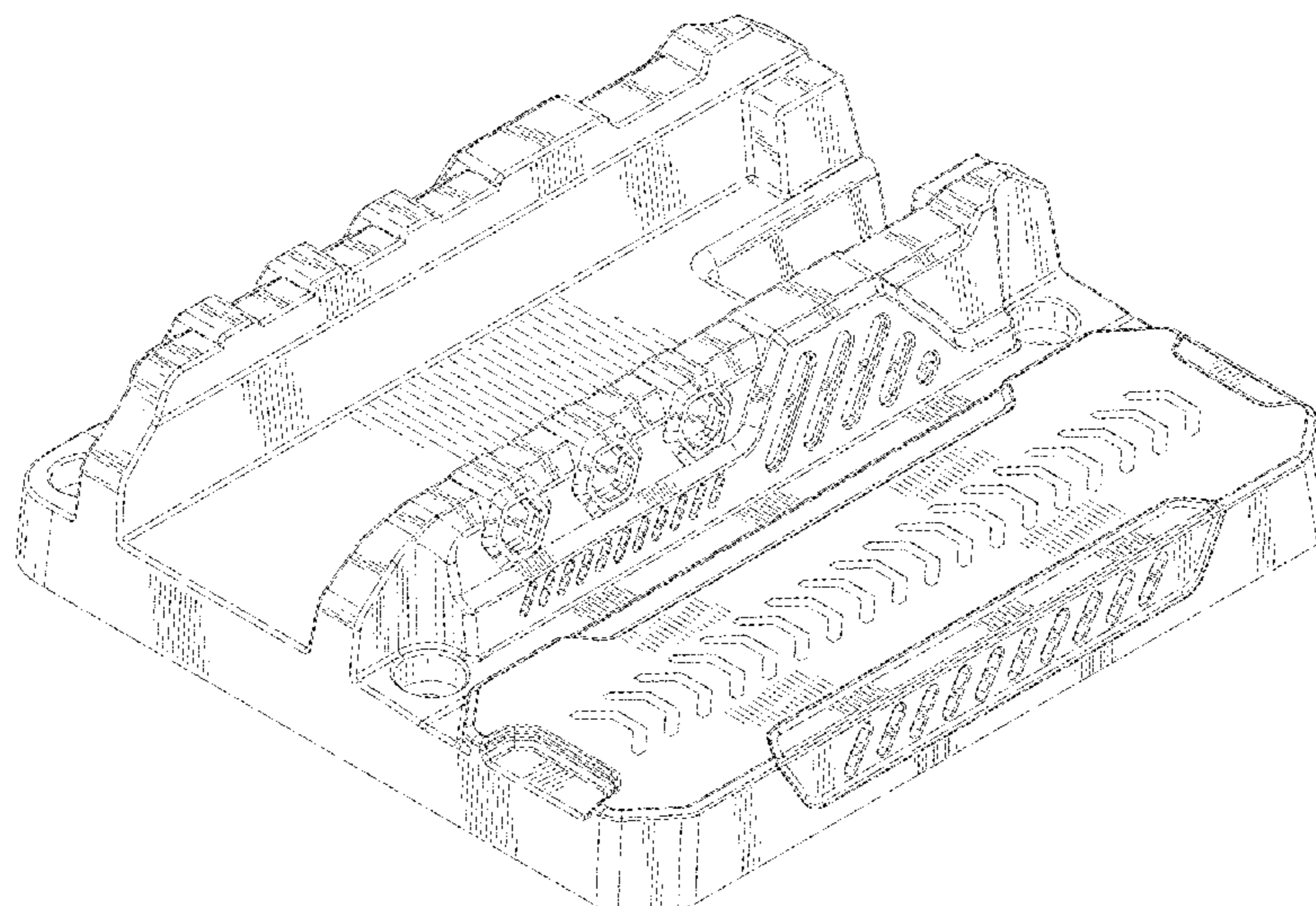
(57) **CLAIM**

The ornamental design for a loader holster, as shown and described.

DESCRIPTION

FIG. 1 is a perspective view of a loader holster showing my new design;
FIG. 2 is a top view thereof;
FIG. 3 is a bottom view thereof;
FIG. 4 is a left side view thereof;
FIG. 5 is a right side view thereof;
FIG. 6 is a rear view thereof; and,
FIG. 7 is a front view thereof.
The broken lines depict portions of the loader holster that forms no part of the claimed design.

1 Claim, 7 Drawing Sheets



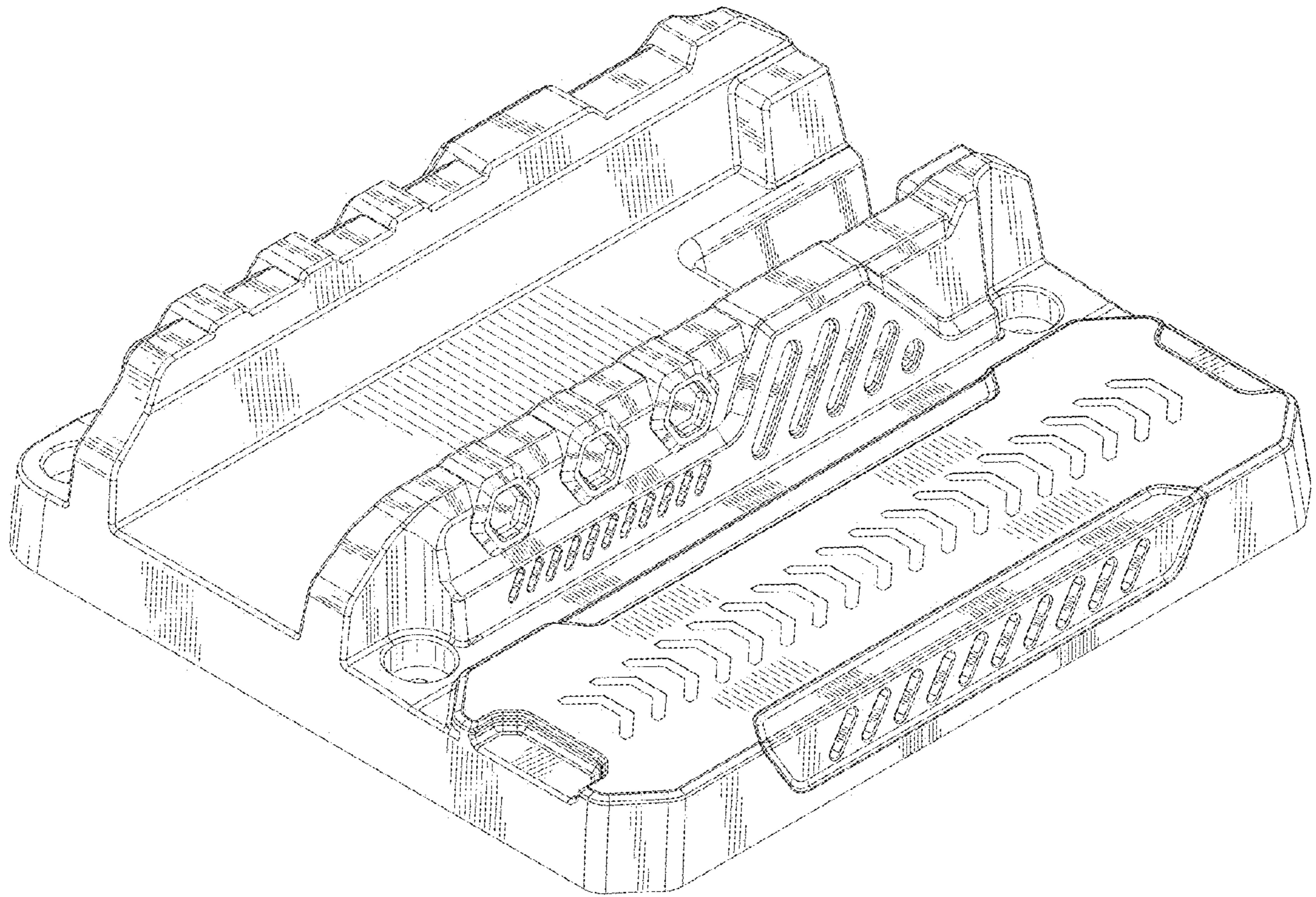


FIG.1

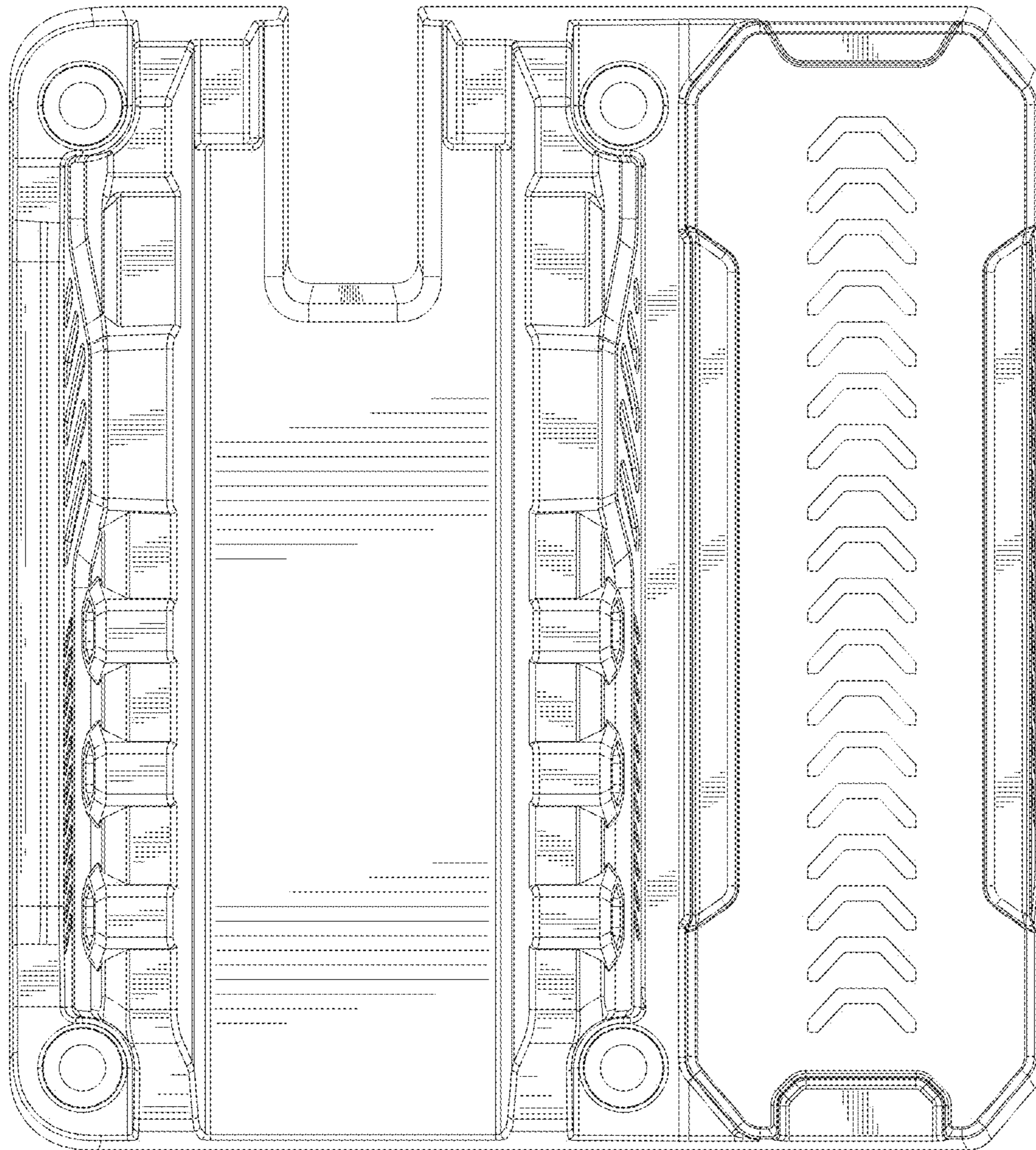


FIG.2

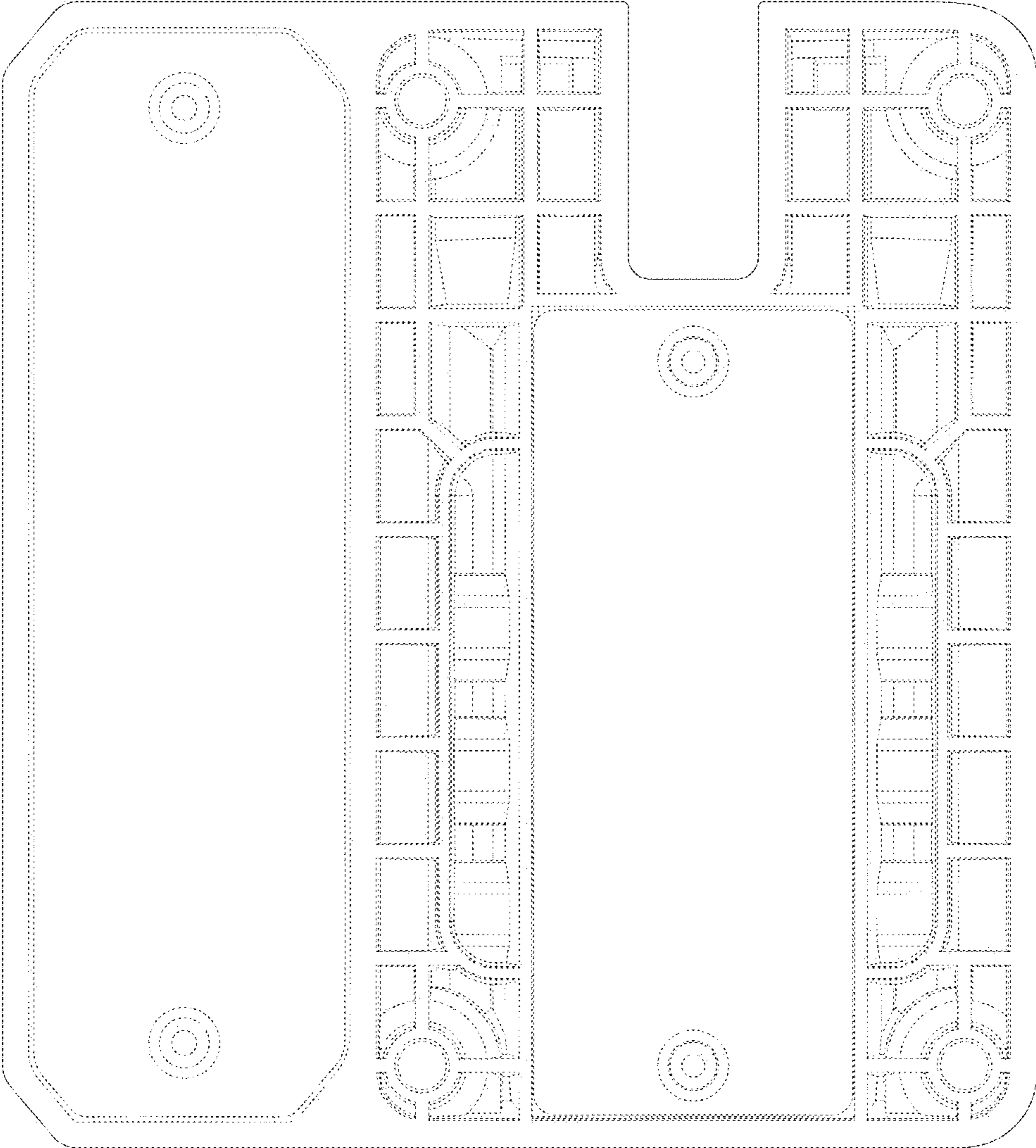


FIG.3

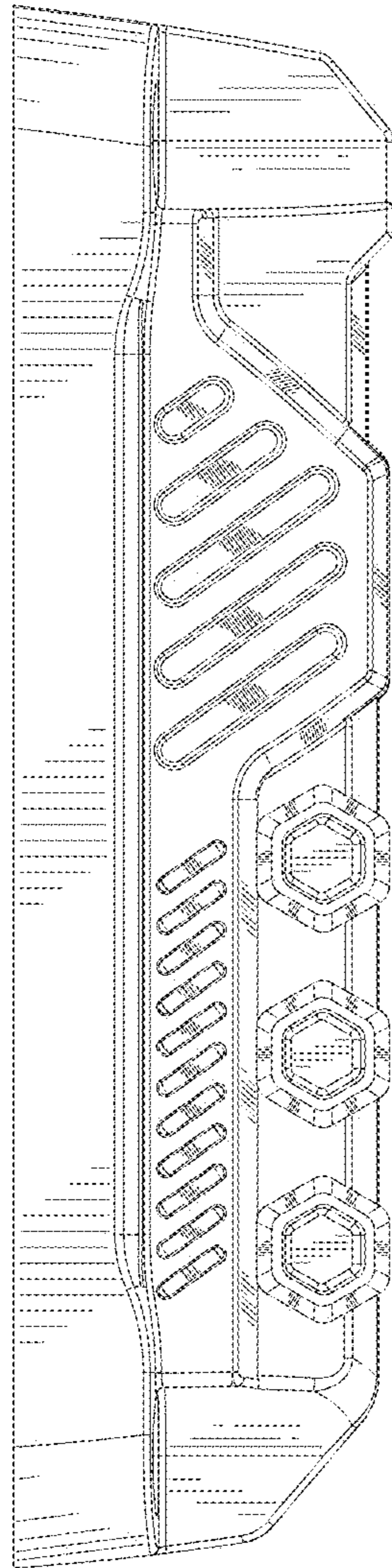


FIG.4

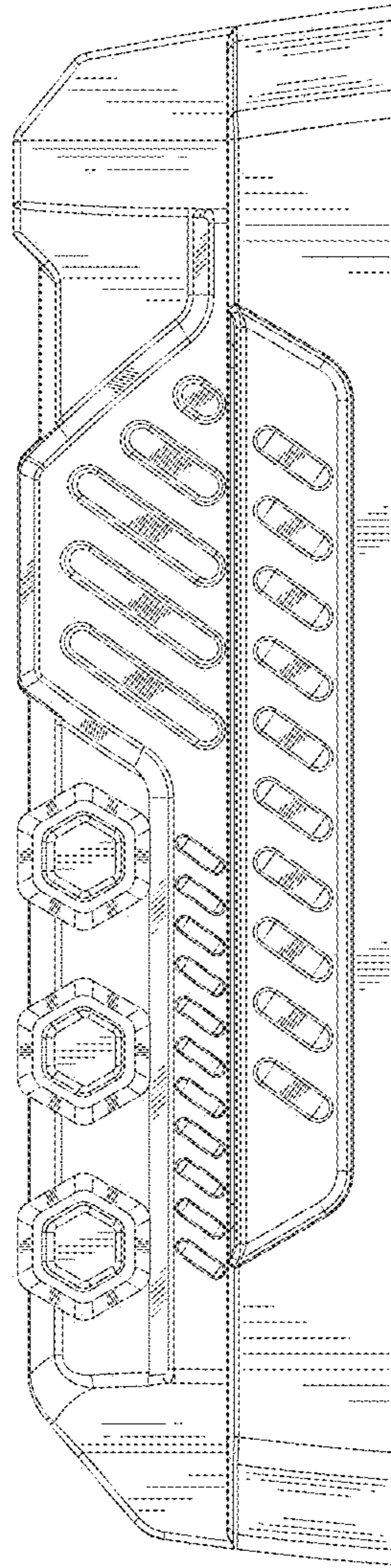


FIG.5

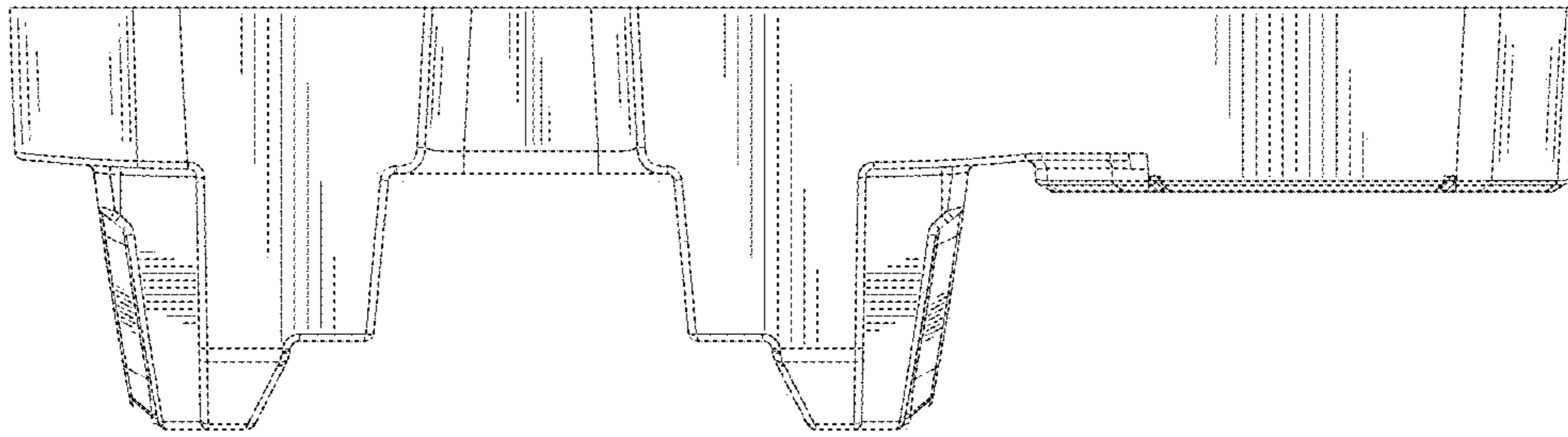


FIG.6

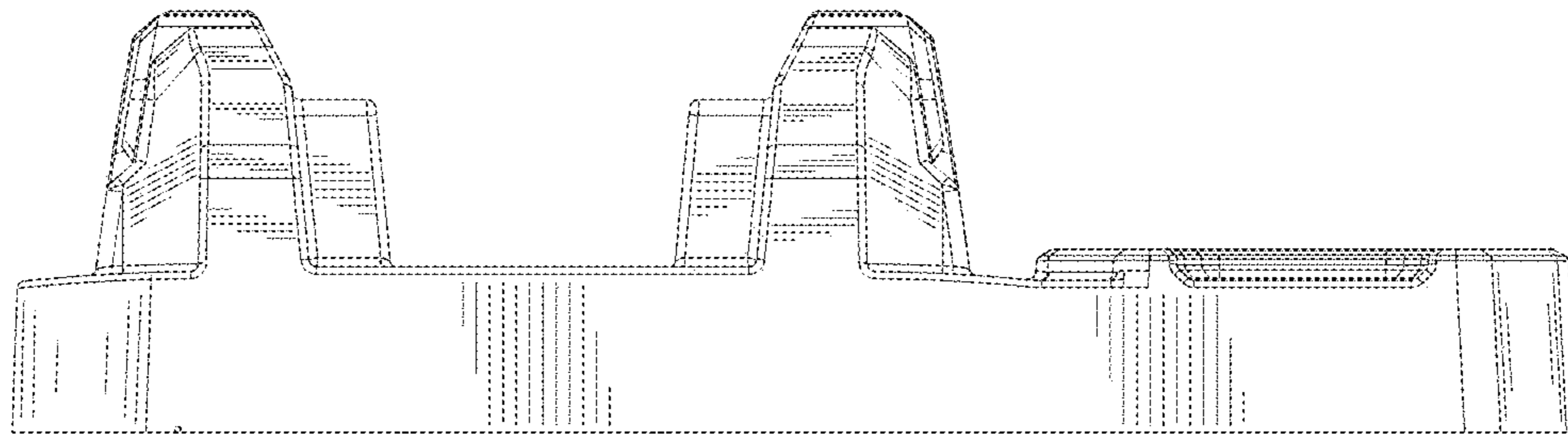


FIG.7