



US0D1032981S

(12) **United States Design Patent**
Kim et al.

(10) **Patent No.: US D1,032,981 S**

(45) **Date of Patent: ** Jun. 25, 2024**

(54) **VACUUM CLEANER HEAD**

FOREIGN PATENT DOCUMENTS

(71) Applicant: **LG ELECTRONICS INC.**, Seoul (KR)

DE 10302728 A1 * 8/2004 A47L 9/06

(72) Inventors: **Jinju Kim**, Seoul (KR); **Seongmin Kim**, Seoul (KR)

OTHER PUBLICATIONS

(73) Assignee: **LG ELECTRONICS INC.**, Seoul (KR)

Electro Brush, posted Jul. 6, 2016 [online], [retrieved Dec. 7, 2023]. Retrieved from internet, <https://www.amazon.com/Miele-Attachable-Floorhead-Effortless-Vacuuming/dp/B0017PSJD2> (Year: 2016).*

(**) Term: **15 Years**

(Continued)

(21) Appl. No.: **29/850,493**

Primary Examiner — Khawaja Anwar

(22) Filed: **Aug. 19, 2022**

Assistant Examiner — Taylor O Mortorff

(30) **Foreign Application Priority Data**

(74) *Attorney, Agent, or Firm* — Birch, Stewart, Kolasch & Birch, LLP

Feb. 23, 2022 (KR) 30-2022-0007470

(51) **LOC (14) Cl.** **15-05**

(57) **CLAIM**

(52) **U.S. Cl.**
USPC **D32/32**

We claim the ornamental design for a vacuum cleaner head, as shown and described.

(58) **Field of Classification Search**

USPC D15/199; D32/15, 16, 19, 21, 22, 25, 31, D32/32, 33

DESCRIPTION

CPC ... A47L 5/12; A47L 5/22; A47L 5/225; A47L 5/24; A47L 5/28; A47L 5/30; A47L 5/32; A47L 5/362; A47L 5/365; A47L 11/22; A47L 11/24; A47L 11/32; A47L 11/33; A47L 11/4094

See application file for complete search history.

FIG. 1 is a front perspective view of a vacuum cleaner head showing our new design;
FIG. 2 is a bottom perspective view thereof;
FIG. 3 is a front elevation view thereof;
FIG. 4 is a rear elevation view thereof;
FIG. 5 is a left-side elevation view thereof;
FIG. 6 is a right-side elevation view thereof;
FIG. 7 is a top plan view thereof;
FIG. 8 is a bottom plan view thereof; and,
FIG. 9 is a front perspective view thereof, shown in a state of use.

(56) **References Cited**

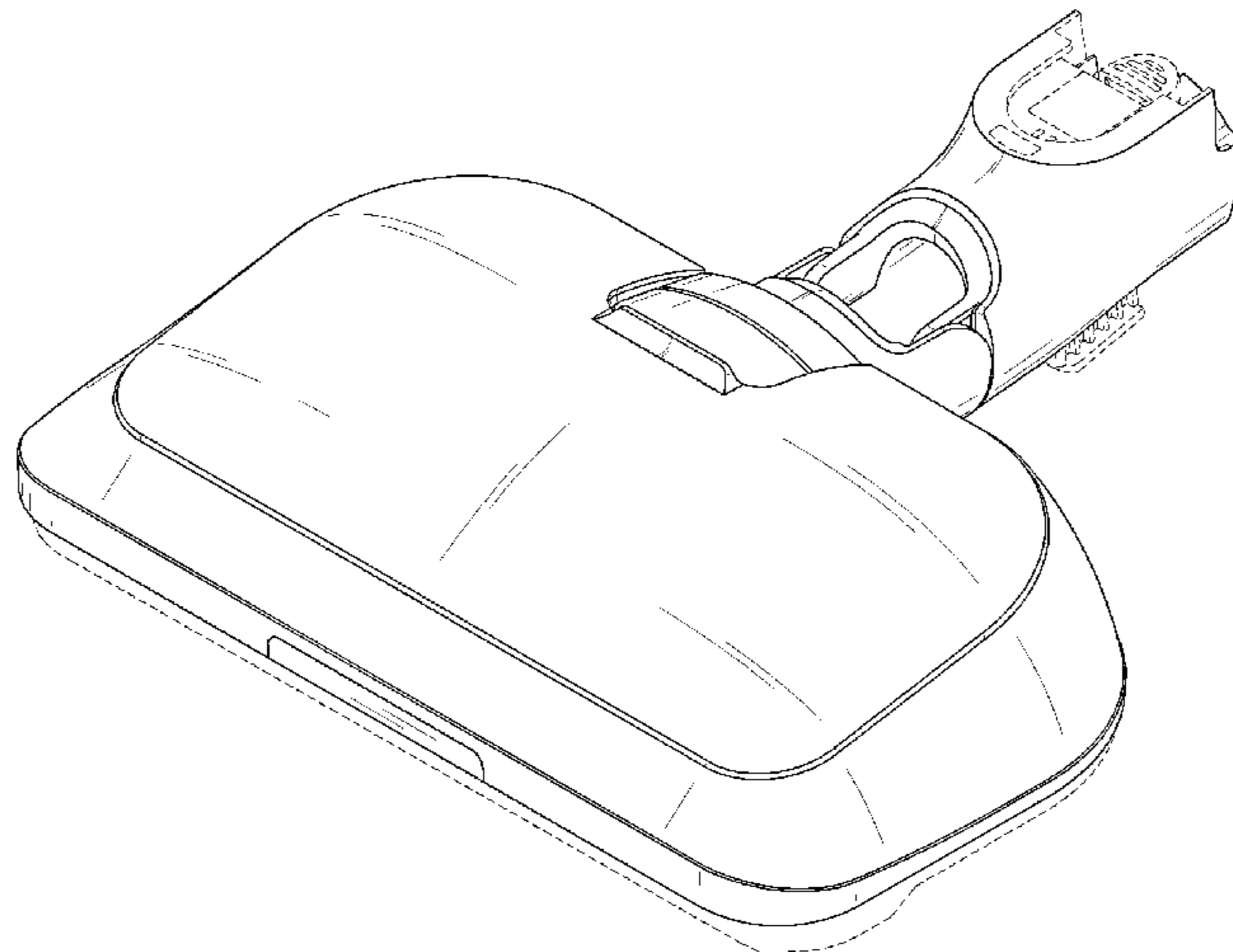
U.S. PATENT DOCUMENTS

D318,542 S * 7/1991 Funatsu D32/32
D443,120 S * 5/2001 Choi D32/32
D456,103 S * 4/2002 Shin D32/32
6,519,810 B2 * 2/2003 Kim A47L 9/02
15/399
D556,963 S * 12/2007 Houghton D32/32
7,640,626 B2 * 1/2010 Oh A47L 9/0472
15/387

The broken lines in FIGS. 1-8 depict portions of the vacuum cleaner head that form no part of the claimed design. The remaining broken lines in FIG. 9 depict environmental structure that form no part of the claimed design.

(Continued)

1 Claim, 9 Drawing Sheets



(56)

References Cited

U.S. PATENT DOCUMENTS

D643,980 S * 8/2011 Kim D32/22
 D709,658 S * 7/2014 Griffin D32/33
 D728,176 S * 4/2015 Yu D32/22
 D770,709 S * 11/2016 Ogg D32/22
 D776,380 S * 1/2017 Yoneda D32/32
 9,655,489 B2 * 5/2017 Ha A47L 9/2873
 D792,668 S * 7/2017 Yoon D32/22
 D795,514 S * 8/2017 Yoon D32/32
 D798,010 S * 9/2017 Cui D32/22
 D799,769 S * 10/2017 Lee D32/32
 D805,704 S * 12/2017 Miyazaki D32/32
 D807,603 S * 1/2018 Roschi D32/32
 D812,827 S * 3/2018 Yoon D32/22
 10,039,430 B2 * 8/2018 Hyun A47L 9/106
 D830,017 S * 10/2018 Nam D32/22
 10,357,135 B2 * 7/2019 Son A47L 9/2857
 10,413,142 B2 * 9/2019 Hwang A47L 9/0054
 10,512,378 B2 * 12/2019 Son A47L 9/327

D874,766 S * 2/2020 Chavana, Jr. D32/33
 10,575,690 B2 * 3/2020 Son A47L 9/2805
 10,582,822 B2 * 3/2020 Son A47L 9/2884
 10,631,701 B2 * 4/2020 Kwak A47L 9/2852
 D900,420 S * 10/2020 Roschi D32/32
 D901,113 S * 11/2020 Song D32/32
 2001/0042285 A1 * 11/2001 Seon A47L 9/02
 15/415.1
 2011/0214686 A1 * 9/2011 Chavana, Jr. A47L 9/2857
 134/1
 2019/0174983 A1 * 6/2019 Roschi A47L 9/009
 2020/0029763 A1 * 1/2020 Song A47L 9/0433

OTHER PUBLICATIONS

Turbo Floor Brush Head, posted Sep. 17, 2020 [online], [retrieved Dec. 7, 2023]. Retrieved from internet, <https://www.amazon.com/EZ-SPARES-Universal-Hardwood-Flooring/dp/B076B25H6W> (Year: 2020).*

* cited by examiner

FIG. 1

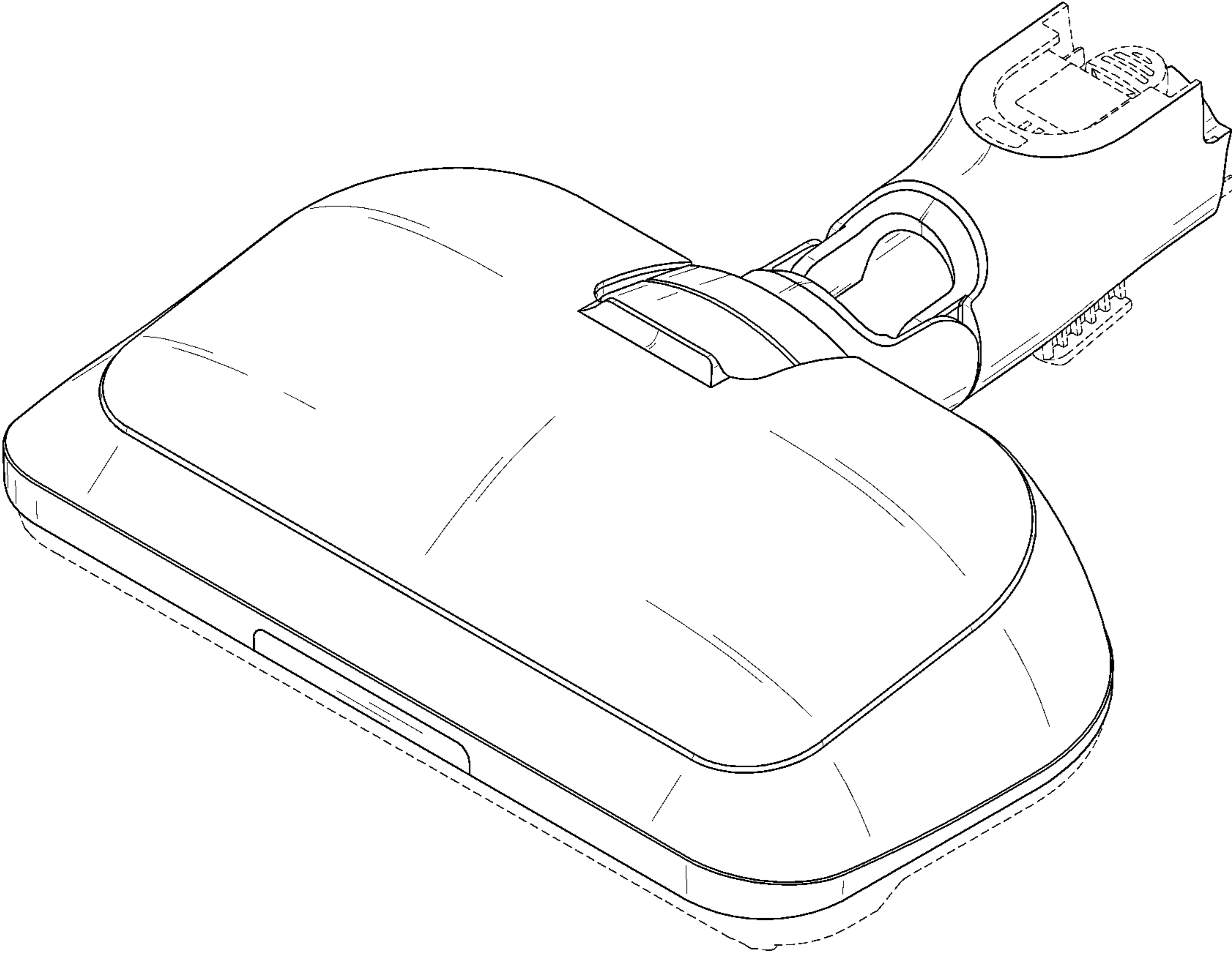


FIG. 2

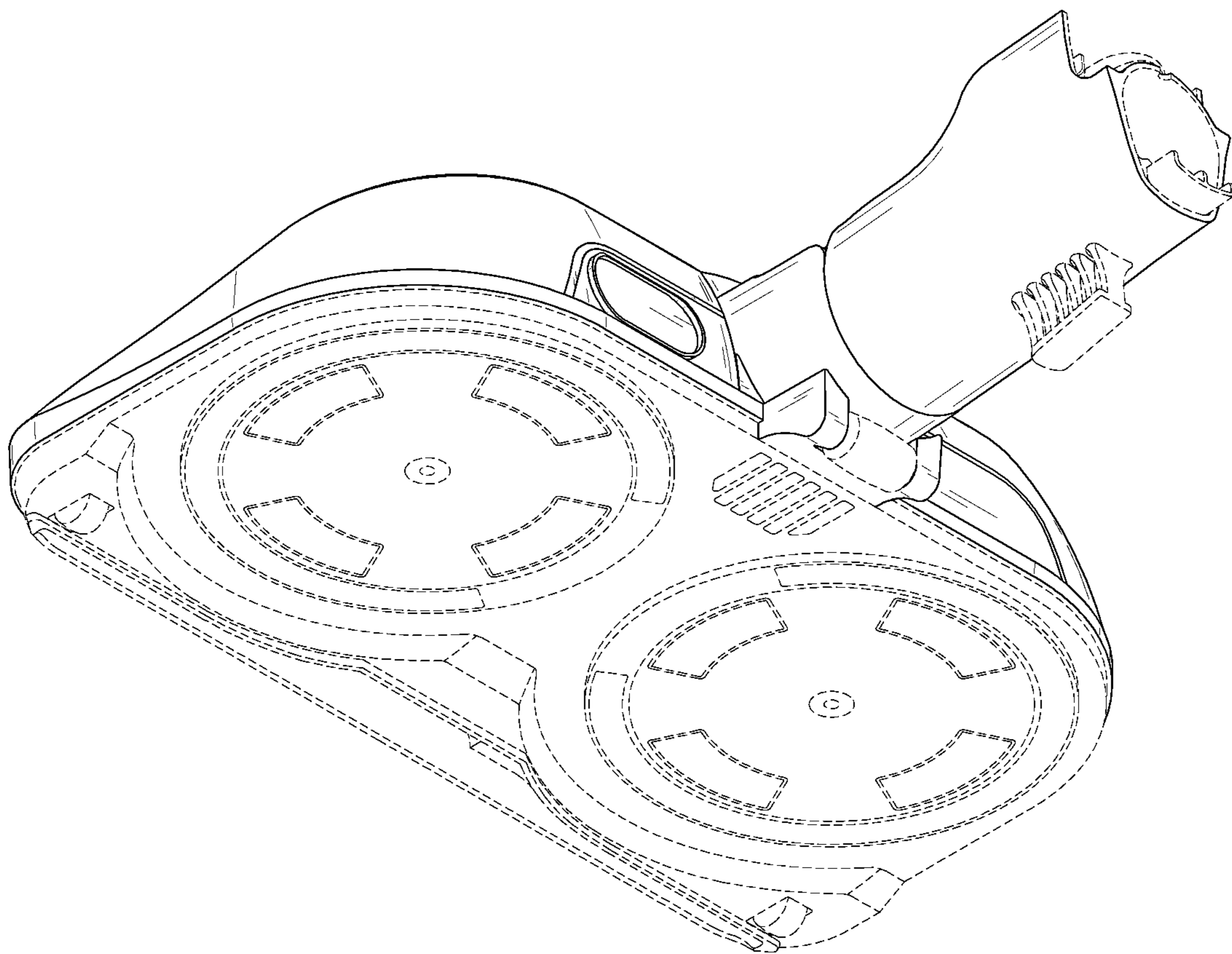


FIG. 3

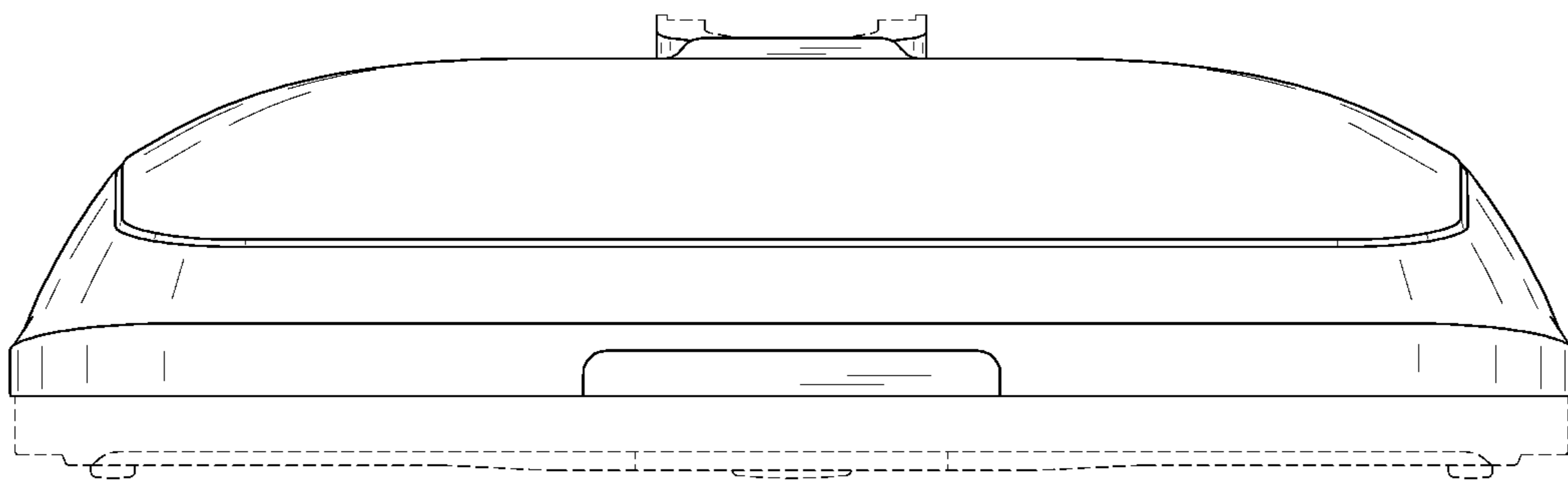


FIG. 4

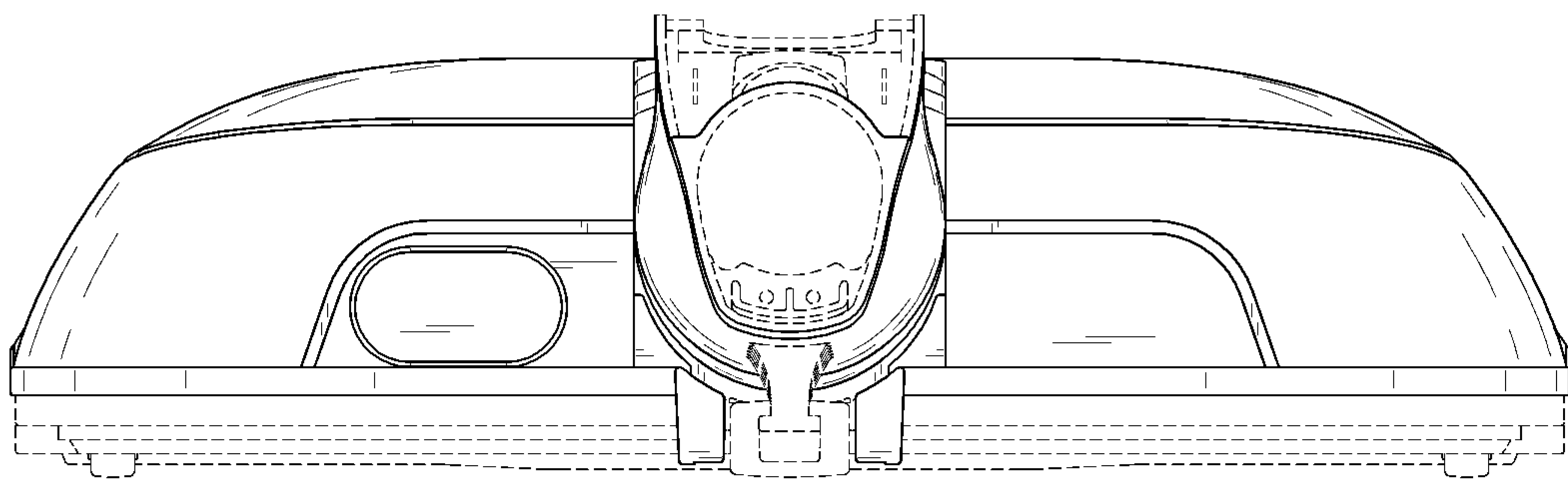


FIG. 5

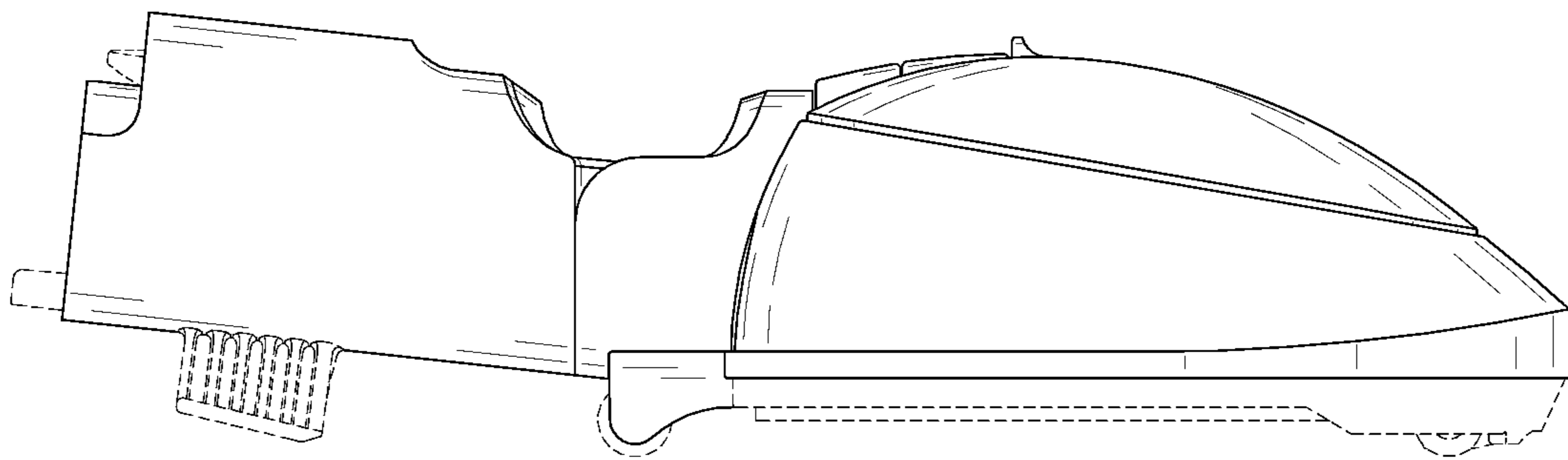


FIG. 6

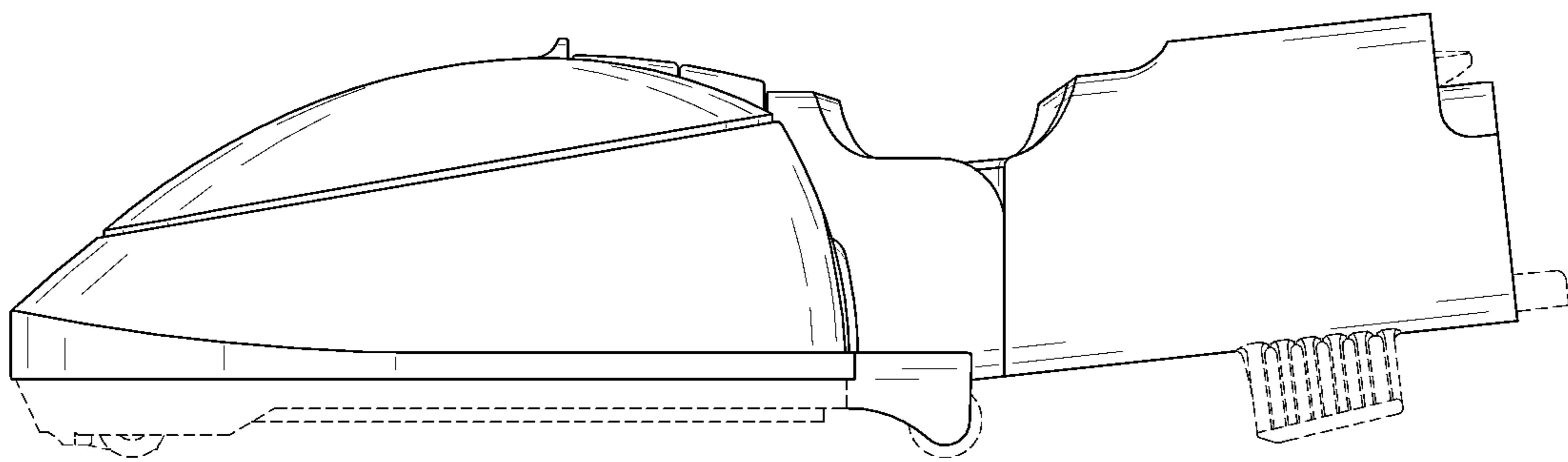


FIG. 7

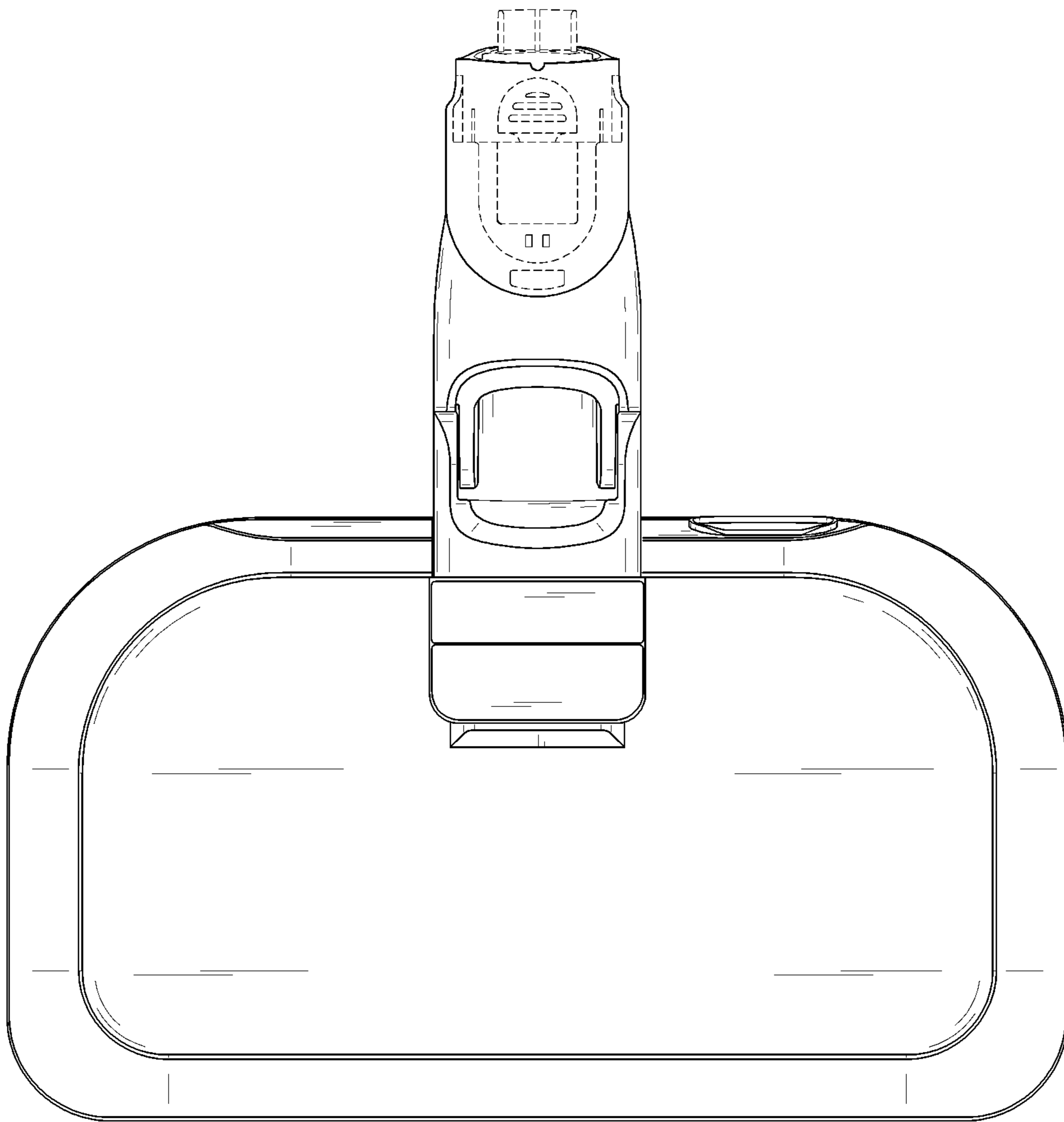


FIG. 8

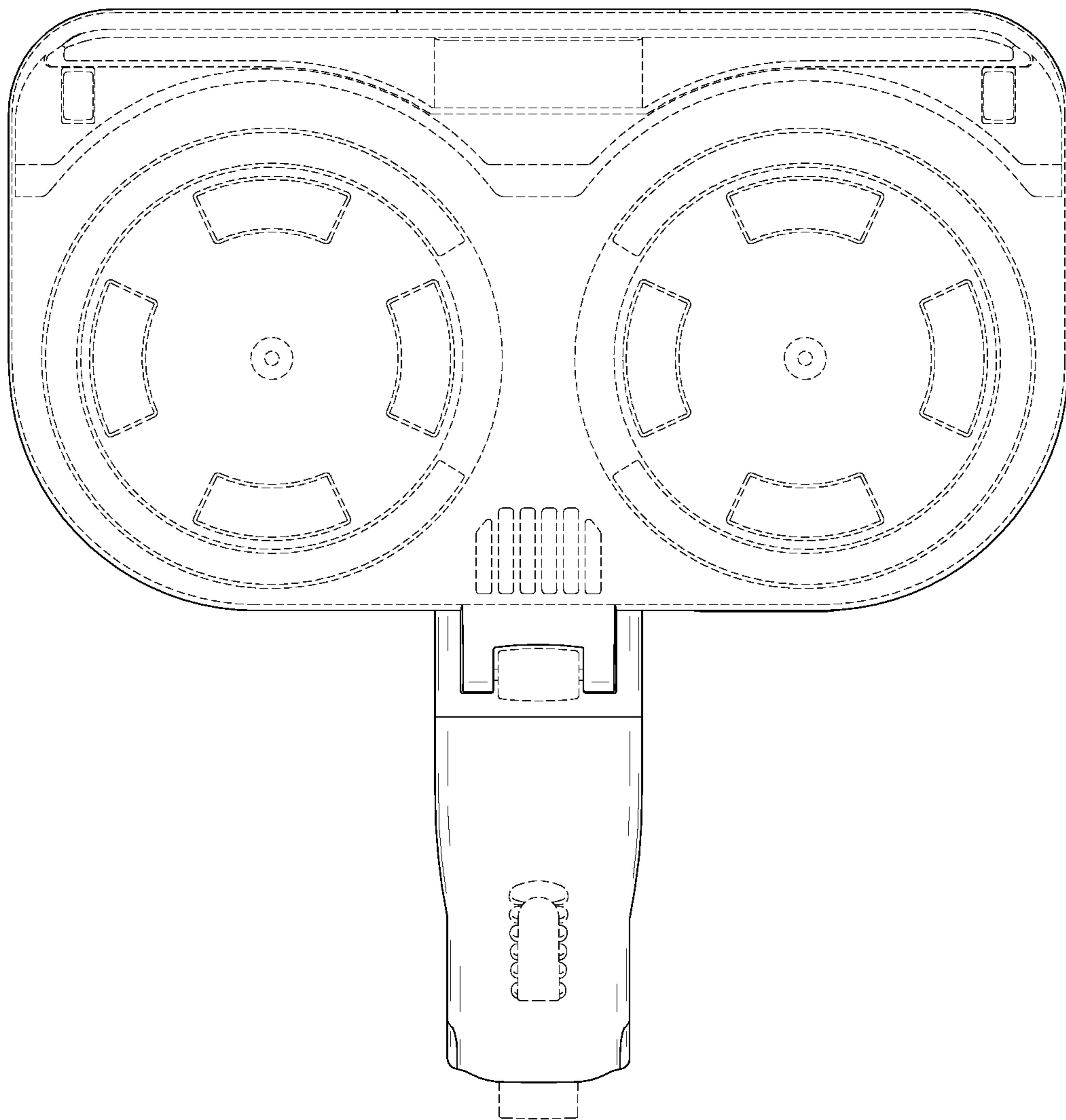


FIG. 9

