



(12) **United States Design Patent** (10) **Patent No.:** **US D1,032,965 S**
Li (45) **Date of Patent:** **** Jun. 25, 2024**

(54) **ELIZABETHAN PET COLLAR**

(71) Applicant: **Chaofan Li**, Pujiang (CN)

(72) Inventor: **Chaofan Li**, Pujiang (CN)

(**) Term: **15 Years**

(21) Appl. No.: **29/916,350**

(22) Filed: **Nov. 10, 2023**

(30) **Foreign Application Priority Data**

Oct. 10, 2023 (CN) 202330654233.3

(51) **LOC (14) Cl.** **30-04**

(52) **U.S. Cl.**
USPC **D30/152**

(58) **Field of Classification Search**
USPC D2/627; D10/72; D11/3; D29/101.1,
D29/101.3, 101.4, 120.1; D30/144, 151,
D30/152, 153, 199
CPC A01K 25/00; A01K 27/00; A01K 27/001;
A01K 27/002; A01K 27/003; A01K
27/004; A01K 27/005

See application file for complete search history.

(56) **References Cited**

U.S. PATENT DOCUMENTS

4,200,057	A *	4/1980	Agar	A01K 15/04 119/815
5,012,764	A *	5/1991	Fick	A61D 9/00 119/856
D419,716	S *	1/2000	Parrochia	D26/118
D506,296	S	6/2005	Driver		
D562,505	S *	2/2008	Fujita	D30/152
D632,851	S *	2/2011	Maroney	D30/152
D647,669	S *	10/2011	Martinez	D30/152
D664,721	S *	7/2012	Martinez	D30/152
D673,739	S *	1/2013	Herrera	D30/152

(Continued)

FOREIGN PATENT DOCUMENTS

CN	307341879	*	5/2022
CN	307993389	*	4/2023
KR	301216293	*	5/2023

OTHER PUBLICATIONS

Marnonsis Soft Dog Cone for Large Dogs, available in Amazon.com, date first available Apr. 21, 2023 [online], [site visited Dec. 7, 2023], Available from the internet URL: <https://www.amazon.com/Marnonsis-Alternative-Comfortable-Reflective-Elizabethan/dp/B0BVW33HVVH?th=1> (Year: 2023).*

(Continued)

Primary Examiner — Vy N Koenig

Assistant Examiner — Elizabeth Anne Glassberg

(74) *Attorney, Agent, or Firm* — Daniel M. Cohn;
Howard M. Cohn

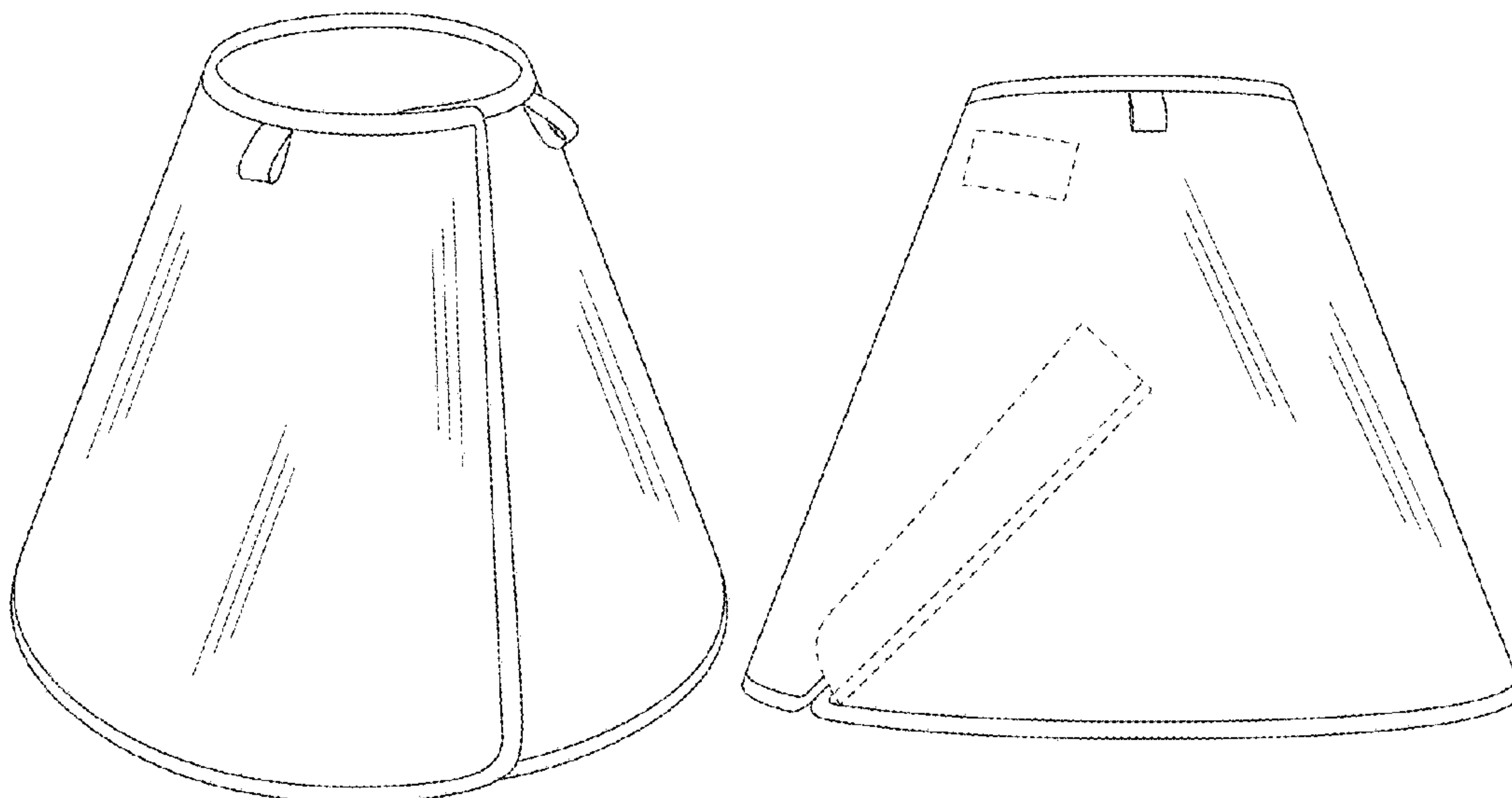
(57) **CLAIM**

The ornamental design for an Elizabethan pet collar, as shown and described.

DESCRIPTION

FIG. 1 is a perspective view of an Elizabethan pet collar showing my new design;
 FIG. 2 is a front elevational view thereof;
 FIG. 3 is a rear elevational view thereof;
 FIG. 4 is a left side elevational view thereof;
 FIG. 5 is a right side elevational view thereof;
 FIG. 6 is a top plan view thereof;
 FIG. 7 is another perspective view thereof;
 FIG. 8 is rear perspective view thereof, shown assembled in a configuration with the flap up and the back open; and,
 FIG. 9 is a top view of an Elizabethan pet collar of FIG. 1, shown flattened and unassembled in a second configuration.
 The broken lines in the figures illustrate portions of the Elizabethan pet collar that form no part of the claimed design.

1 Claim, 9 Drawing Sheets



(56)

References Cited

U.S. PATENT DOCUMENTS

D734,899	S *	7/2015	Martinez	D30/152
9,585,365	B1 *	3/2017	Gibson	A01K 27/001
D844,260	S *	3/2019	Cai	D30/152
D855,903	S *	8/2019	Cai	D30/152
D884,909	S *	5/2020	McBride	D24/190
D906,603	S *	12/2020	Vaccaro	D30/152
D957,068	S	7/2022	Li		
D989,415	S	6/2023	Li		
RE49,752	E *	12/2023	Markfield	A01K 13/006
D1,007,775	S *	12/2023	Li	D30/152
2011/0277701	A1 *	11/2011	King	A01K 13/006
					119/815
2023/0147025	A1 *	5/2023	Kuhn	A01K 27/001
					119/815

OTHER PUBLICATIONS

Supet Dog Cone Adjustable Pet Cone, available in Amazon.com, date first available Aug. 26, 2019 [online], [site visited Dec. 7, 2023], Available from the internet URL: <https://www.amazon.com/Supet-Adjustable-Protective-Anti-Bite-Practical/dp/B07VLYD6PJ?th=1> (Year: 2019).*

* cited by examiner

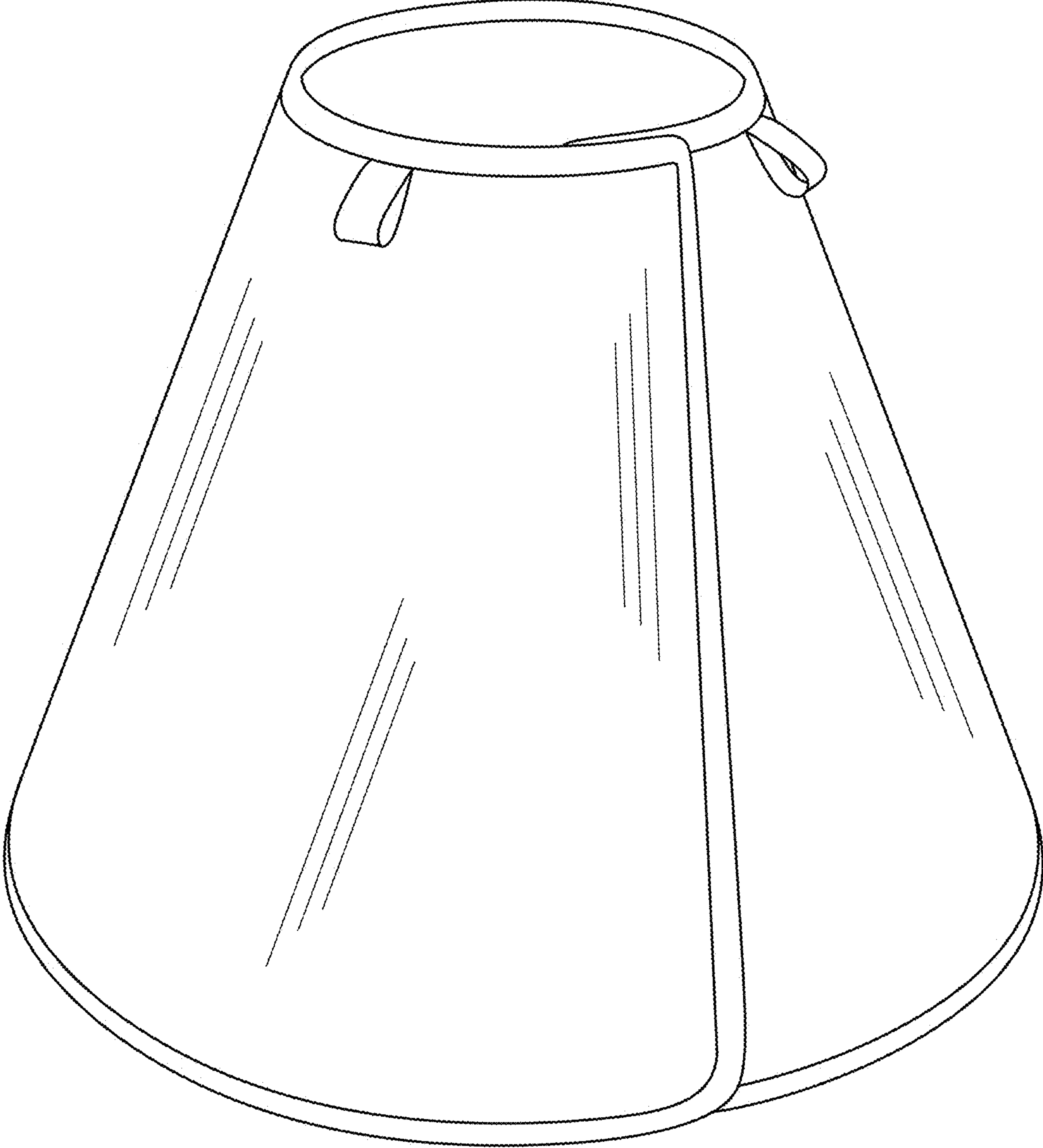


FIG. 1

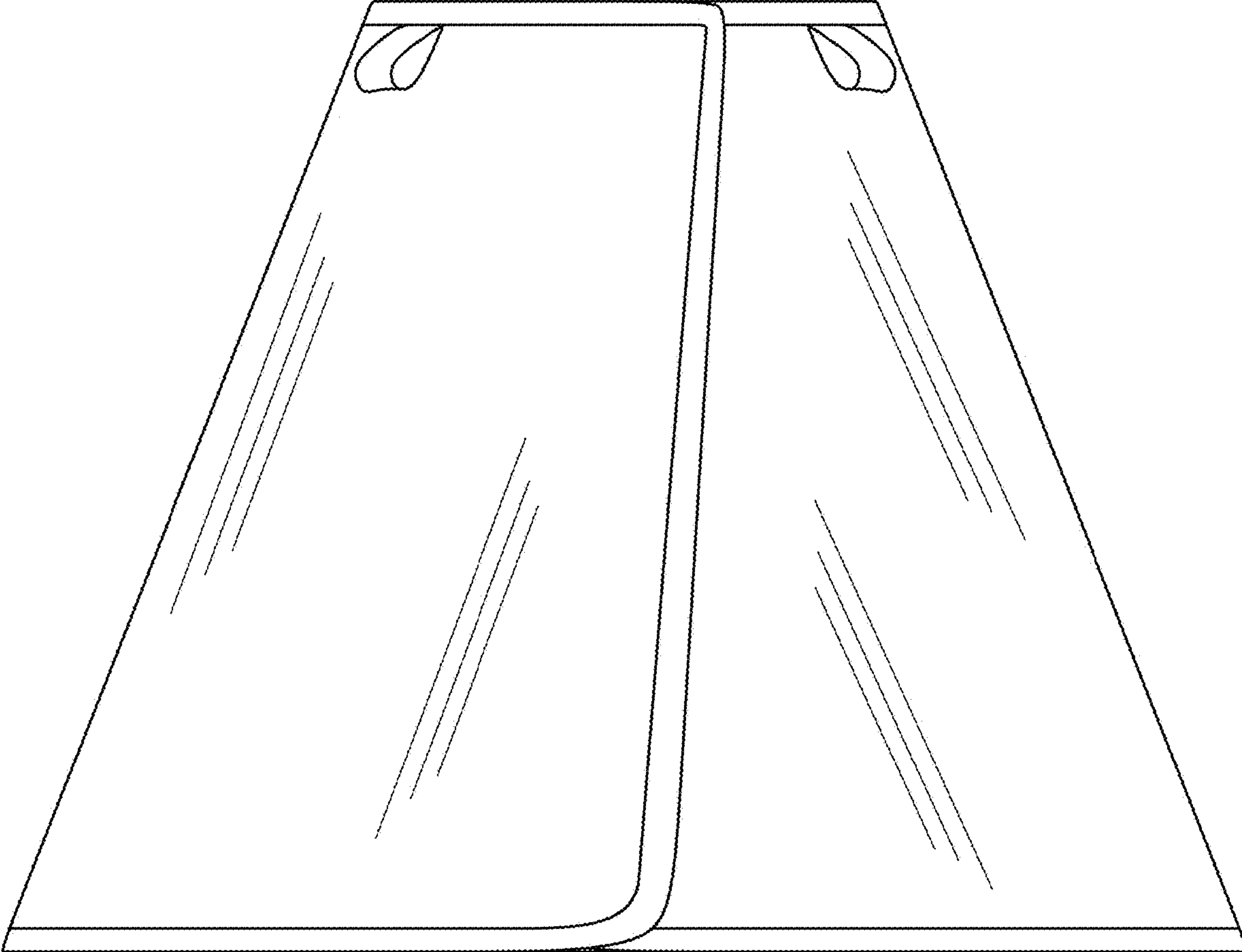


FIG.2

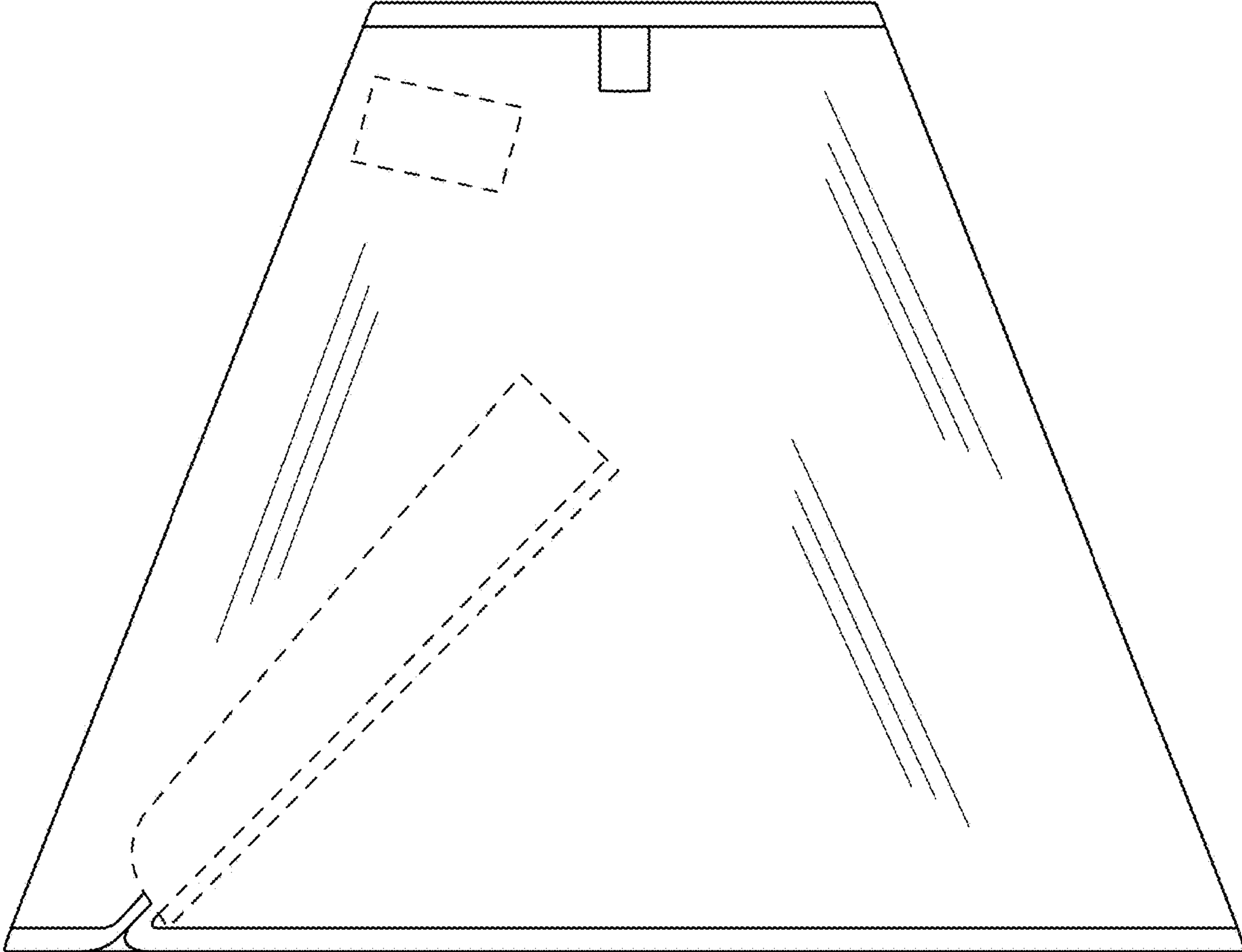


FIG.3

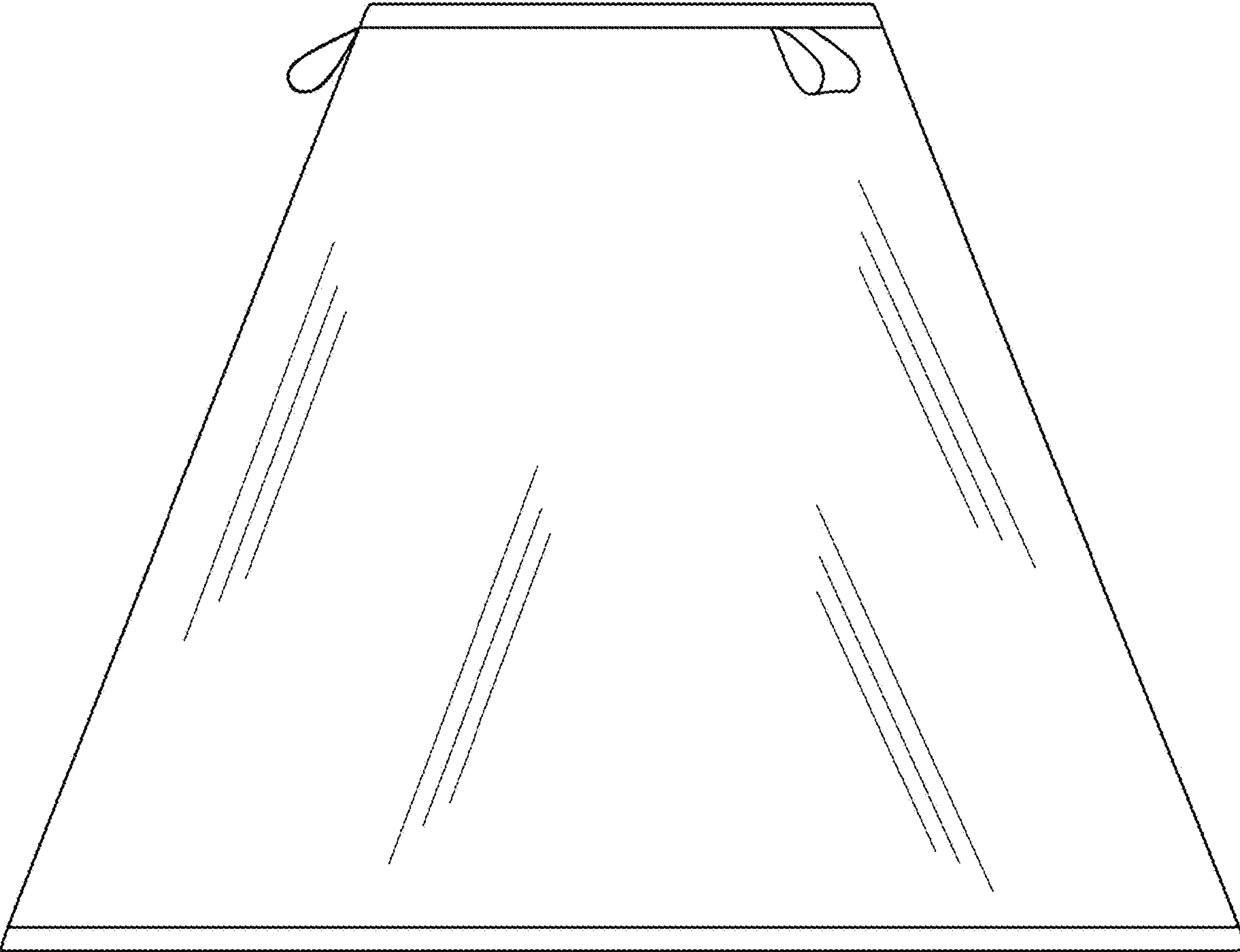


FIG.4

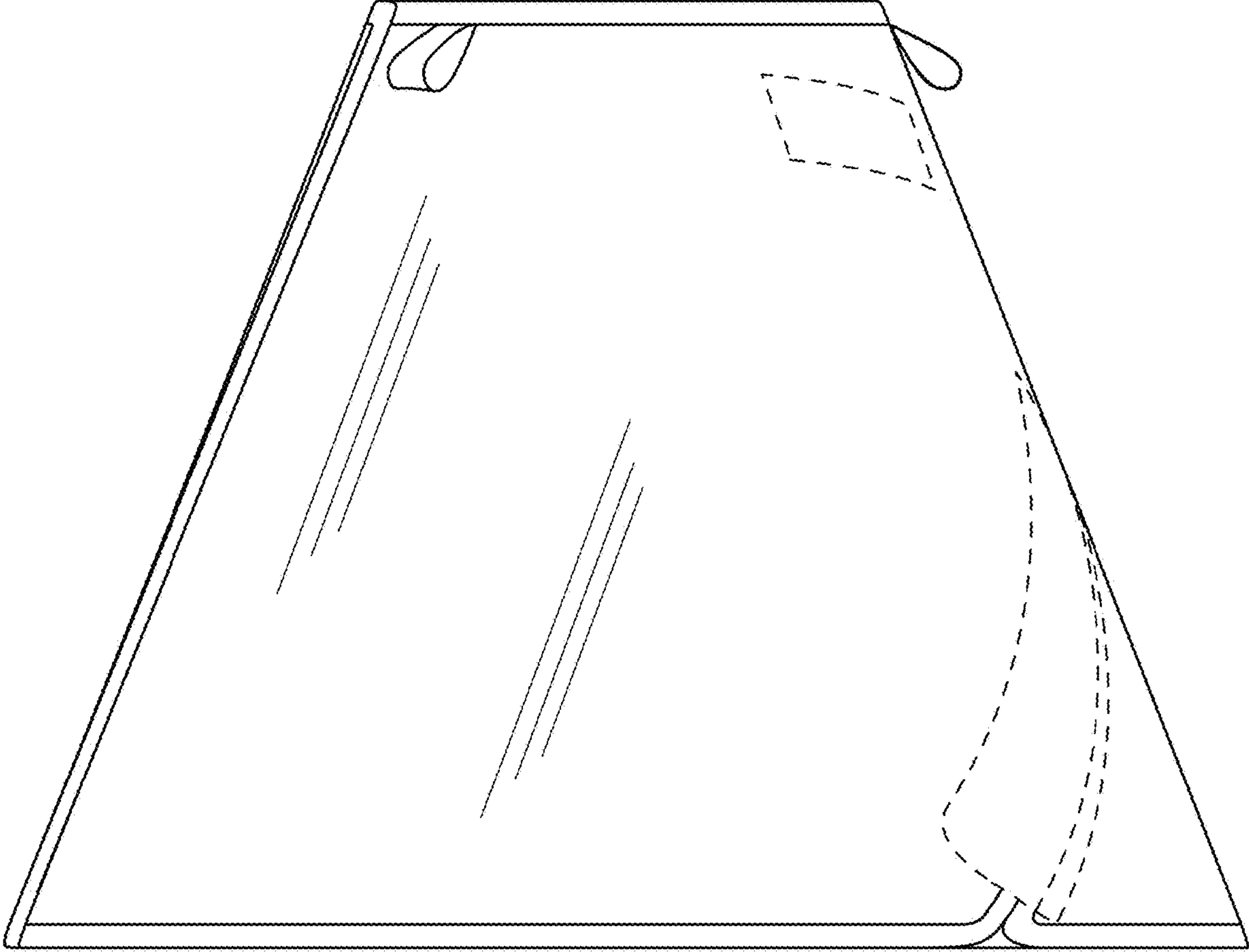


FIG.5

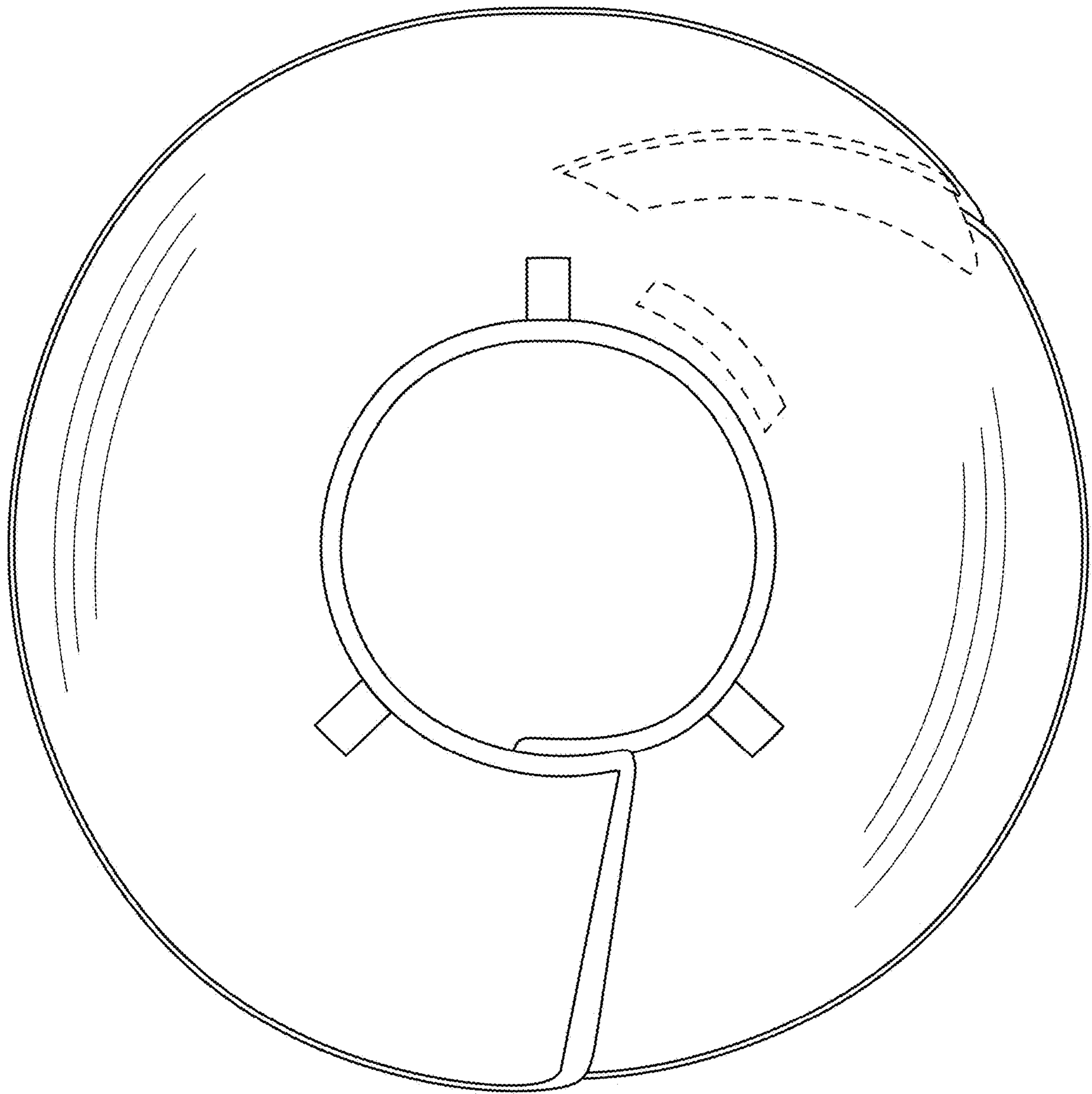


FIG.6

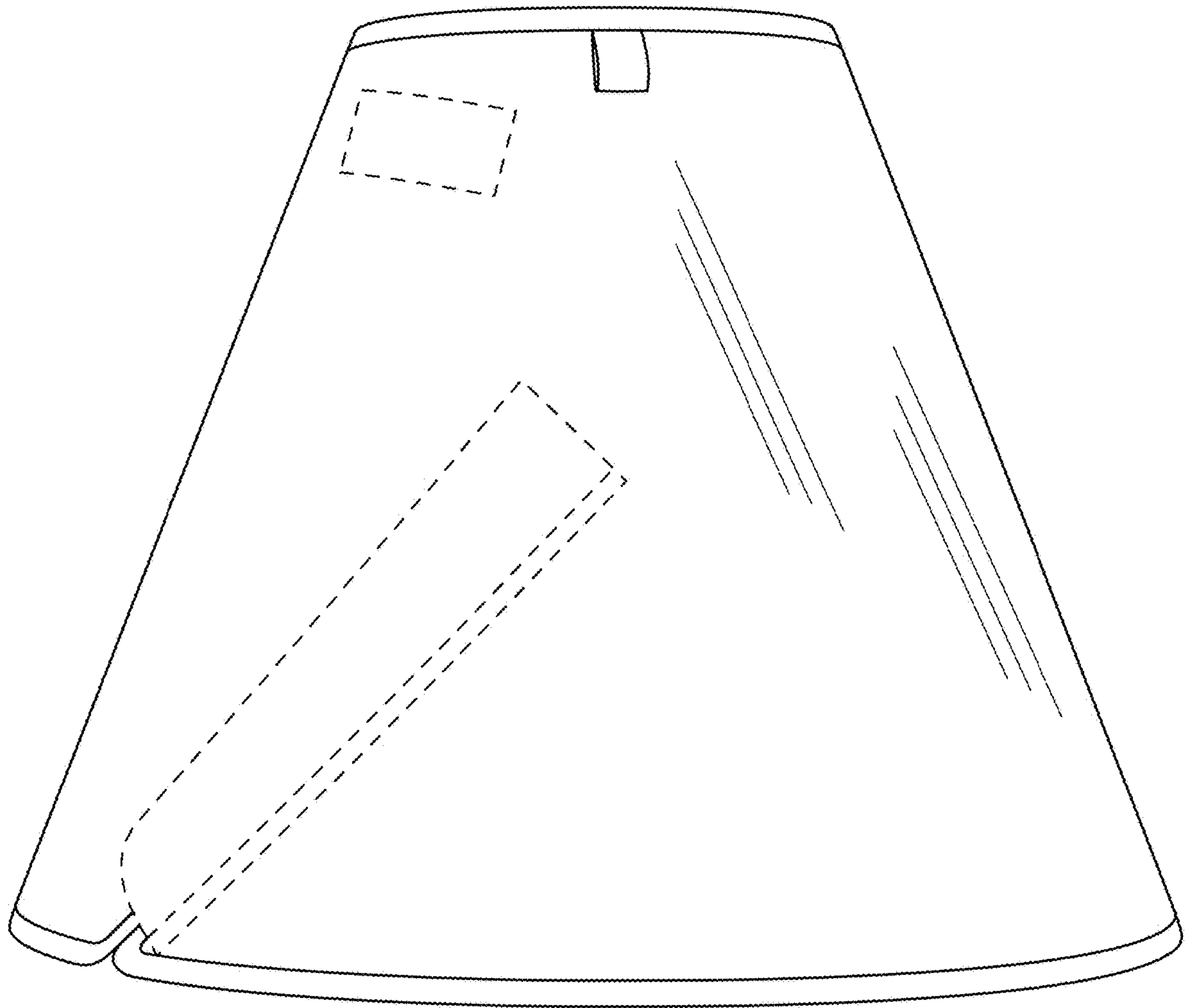


FIG.7

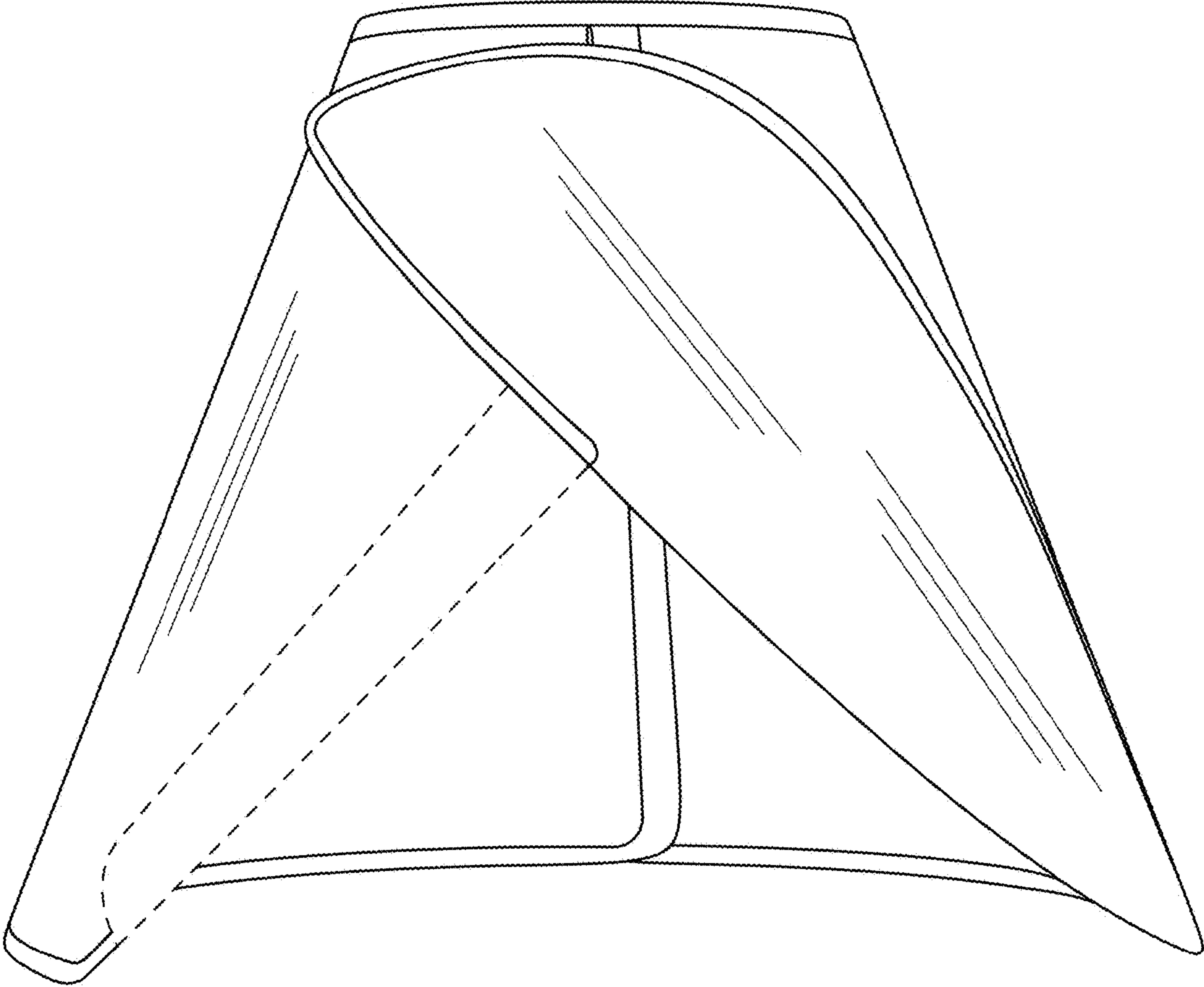


FIG.8

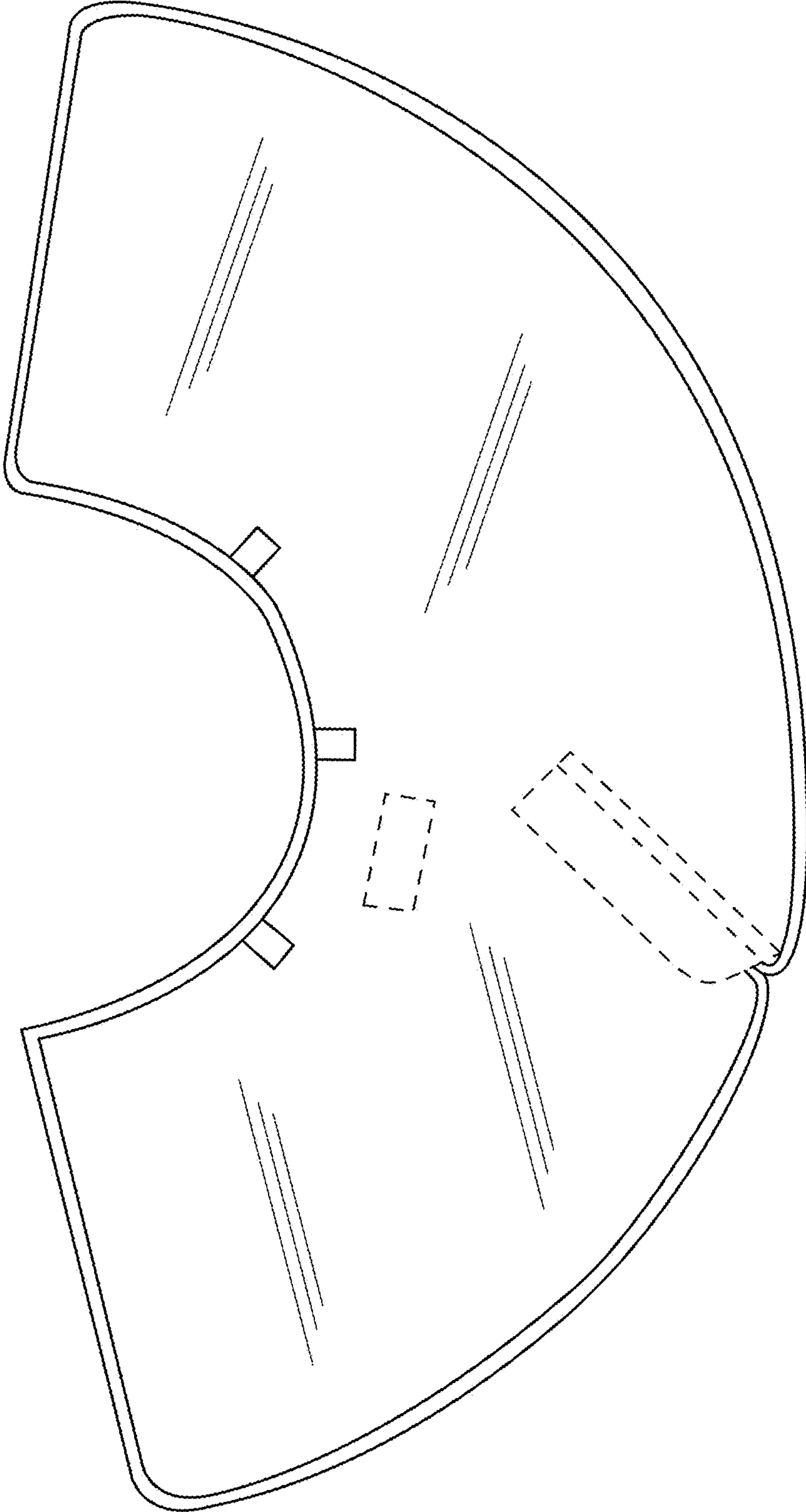


FIG. 9