



US0D1032881S

(12) **United States Design Patent** (10) **Patent No.:** **US D1,032,881 S**
Su (45) **Date of Patent:** **** Jun. 25, 2024**

(54) **RETRACTABLE SAFETY GATE**

Primary Examiner — Leanne Was-Englehart

(71) Applicant: **EASYBABY PRODUCTS, INC.**,
Dallas, TX (US)

(57) **CLAIM**

(72) Inventor: **Shuicai Su**, Shangrao (CN)

The ornamental design for a retractable safety gate, as shown and described.

(73) Assignee: **EASYBABY PRODUCTS, INC.**,
Dallas, TX (US)

(**) Term: **15 Years**

DESCRIPTION

(21) Appl. No.: **29/805,102**

(22) Filed: **Aug. 25, 2021**

(51) **LOC (14) Cl.** **25-02**

(52) **U.S. Cl.**
USPC **D25/48.5**

(58) **Field of Classification Search**
USPC D25/38.1, 39, 48.1, 48.4, 48.5, 48.8
(Continued)

FIG. 1 is a perspective view of a retractable safety gate showing my new design;
FIG. 2 is another perspective view thereof;
FIG. 3 is a front elevational view thereof;
FIG. 4 is a rear elevational view thereof;
FIG. 5 is a left side elevational view thereof;
FIG. 6 is a right side elevational view thereof;
FIG. 7 is a top plan view thereof;
FIG. 8 is a bottom plan view thereof;
FIG. 9 is an enlarged view of portion 9 shown in FIG. 1;
FIG. 10 is an enlarged view of portion 10 shown in FIG. 1;
FIG. 11 is an enlarged view of portion 11 shown in FIG. 1;
FIG. 12 is an enlarged view of portion 12 shown in FIG. 1;
FIG. 13 is an enlarged view of portion 13 shown in FIG. 2;
FIG. 14 is an enlarged view of portion 14 shown in FIG. 2;
FIG. 15 is an enlarged view of portion 15 shown in FIG. 2;
FIG. 16 is an enlarged view of portion 16 shown in FIG. 2;
FIG. 17 is an enlarged view of portion 17 shown in FIG. 4;
FIG. 18 is an enlarged view of portion 18 shown in FIG. 4;
FIG. 19 is an enlarged view of portion 19 shown in FIG. 5;
FIG. 20 is an enlarged view of portion 20 shown in FIG. 8;
and,
FIG. 21 is an enlarged view of portion 21 shown in FIG. 8.
The dash-dash broken lines in the drawings depict portions of the retractable safety gate that form no part of the claimed design. The dot-dash broken lines represent boundaries of the enlarged portion and form no part of the claimed design.

(56) **References Cited**

U.S. PATENT DOCUMENTS

D620,129 S * 7/2010 Lundh D25/48.5
D621,957 S * 8/2010 Lundh D25/48.5
(Continued)

FOREIGN PATENT DOCUMENTS

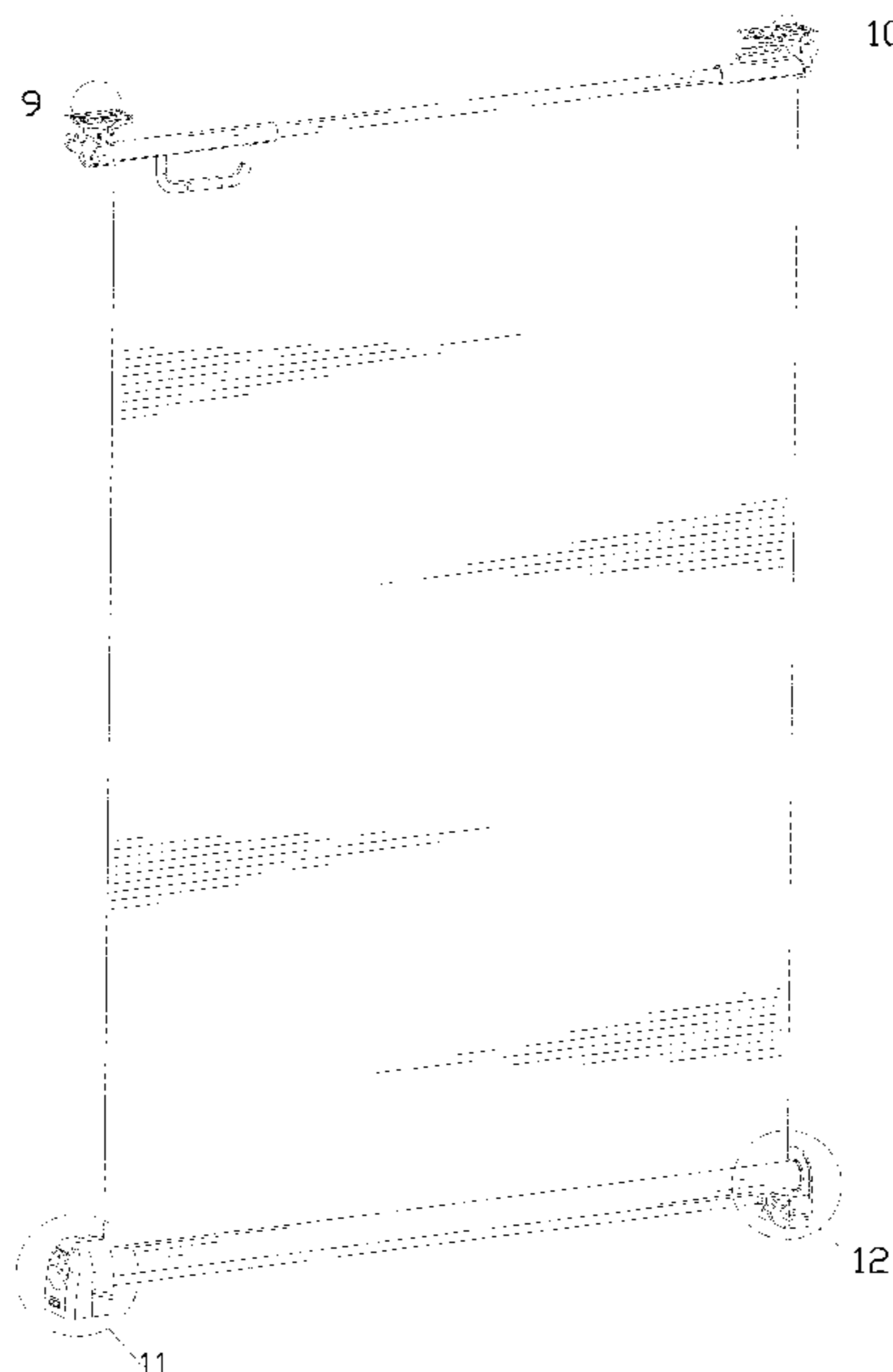
EM 007426044-0001 * 1/2020

OTHER PUBLICATIONS

Amazon.com Babepai Retractable Baby Gate https://www.amazon.com/Babepai-Retractable-Doorways-Banister-Hallways/dp/B08ZCYX9QG?&linkCode=sl1&tag=motherhoodcom-20&linkld=466bd800318635a38e6debfe6cef7520&language=en_US&ref_=as_li_ss_tl Nov. 18, 2019*

(Continued)

1 Claim, 21 Drawing Sheets



(58) **Field of Classification Search**
 CPC E06B 9/08; E06B 9/60; E06B 9/80; E06B
 2009/002; E06B 11/027; E06B 11/04
 See application file for complete search history.

(56) **References Cited**

U.S. PATENT DOCUMENTS

8,191,604	B2 *	6/2012	Wang	E06B 9/0692 160/293.1
D666,307	S *	8/2012	Lundh	D25/48.1
9,598,896	B1 *	3/2017	Pichik	E06B 9/13
D927,016	S *	8/2021	Su	D25/48.5
D929,609	S *	8/2021	Su	D25/48.5
D941,494	S *	1/2022	Su	D25/48.4
D941,495	S *	1/2022	Su	D25/48.5
D945,018	S *	3/2022	Cai	D25/48.5
D947,410	S *	3/2022	Bearsch	D25/48.5
D965,822	S *	10/2022	Liang	D25/48.5
D965,823	S *	10/2022	Liang	D25/48.5
D972,748	S *	12/2022	Lv	D25/48.4
D1,017,074	S *	3/2024	Su	D25/48.5
2008/0121352	A1 *	5/2008	Cheng	E01F 13/028 160/238
2008/0121354	A1 *	5/2008	Cheng	E01F 13/028 160/290.1
2013/0299101	A1 *	11/2013	Wang	E06B 9/60 160/303

2018/0044982	A1 *	2/2018	Wang	E06B 9/08
2019/0078382	A1 *	3/2019	Wang	E06B 9/60
2019/0218854	A1 *	7/2019	Fusco	E06B 9/13
2020/0080372	A1 *	3/2020	Hsu	E06B 9/50
2021/0040791	A1 *	2/2021	Wang	E06B 9/13
2021/0355751	A1 *	11/2021	Liang	E06B 9/60
2022/0056651	A1 *	2/2022	Liang	E06B 9/90

OTHER PUBLICATIONS

Amazon.com Cumbor Baby Gate Oct. 19, 2021 https://www.amazon.com/dp/B09JSQZWRW/ref=sspa_dk_detail_5?i=B09JSQZWRW&pd_rd_w=x3JSW&content-id=amzn1.sym.386c274b-4bfe-4421-9052-a1a56db557ab&pf_rd_p=386c274b-4bfe-4421-9052-a1a56db557ab&pf_rd_r=2EZMFAAKN73NRDF9JN2R&pd_rd_wg=FFrBw&pd_rd_r=baffb85d-2854-47ec-b85b-737870132d6f&s=home-garden&sp_csd=d2lkZ2V0TmFtZT1zcF9kZXRhaWxhdGhlbWF0aWM&spLa=ZW5jcmlwdGVkUXVhbGlmaWVyPUEXRUIaZncyMzY4TFdDmVuY3J5cHRIZEFkPUEWOTM2MDE1V1g5SFo4WjRjVEVJmVuY3J5cHRIZEFkSWQ9QTA4NzAwNzcyRVNXT1UxSTFSMlk3JndpZGdldE5hbWU9c3BfZGVOYWIsX3RoZW1hdG1jJmFjdG1vbj1jbGlja1JIZGlyZWNoJmRvTm90TG9nQ2xpY2s9dHJ1ZQ&th=1
 (Year: 2021).*

* cited by examiner

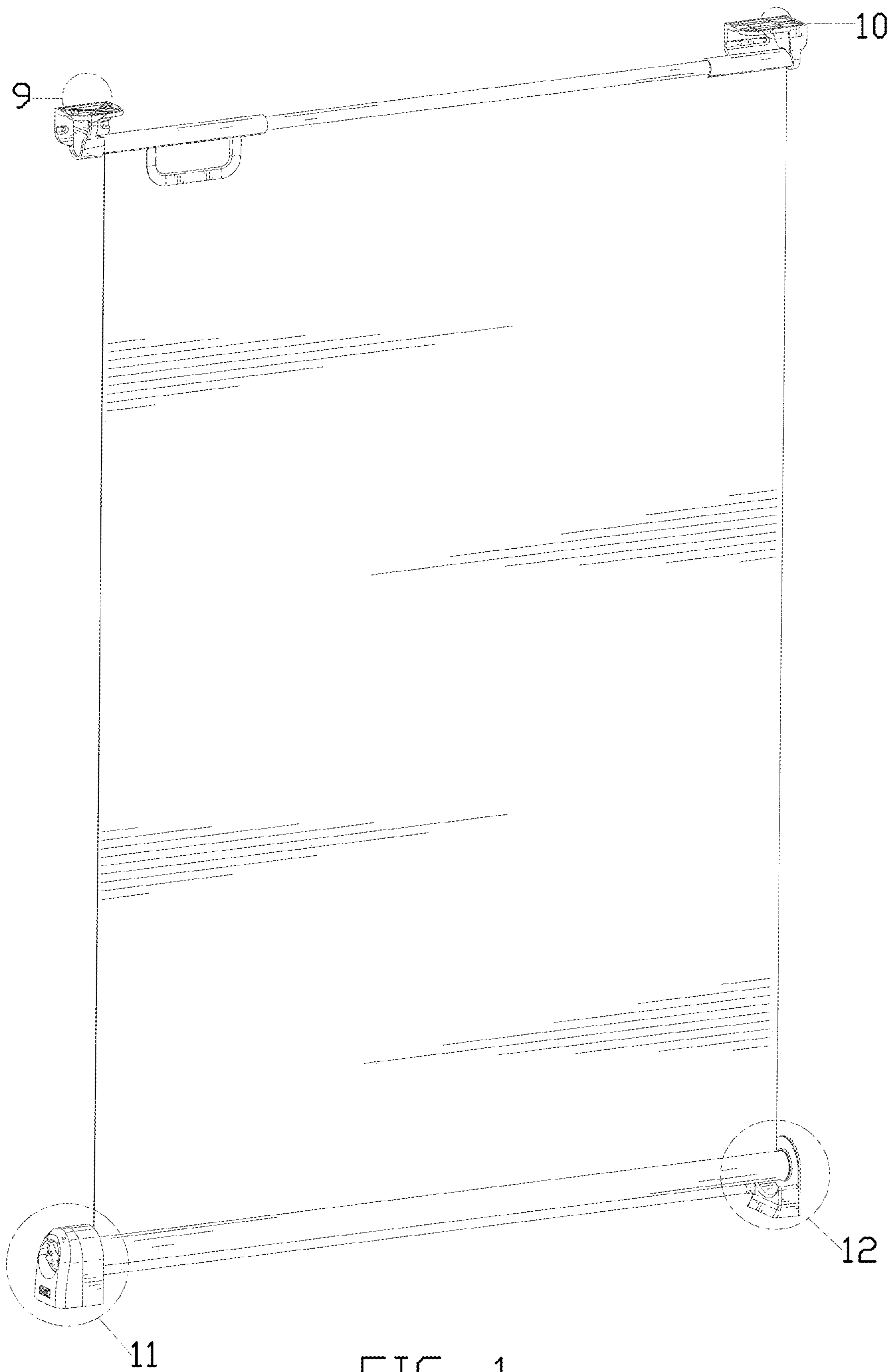


FIG. 1

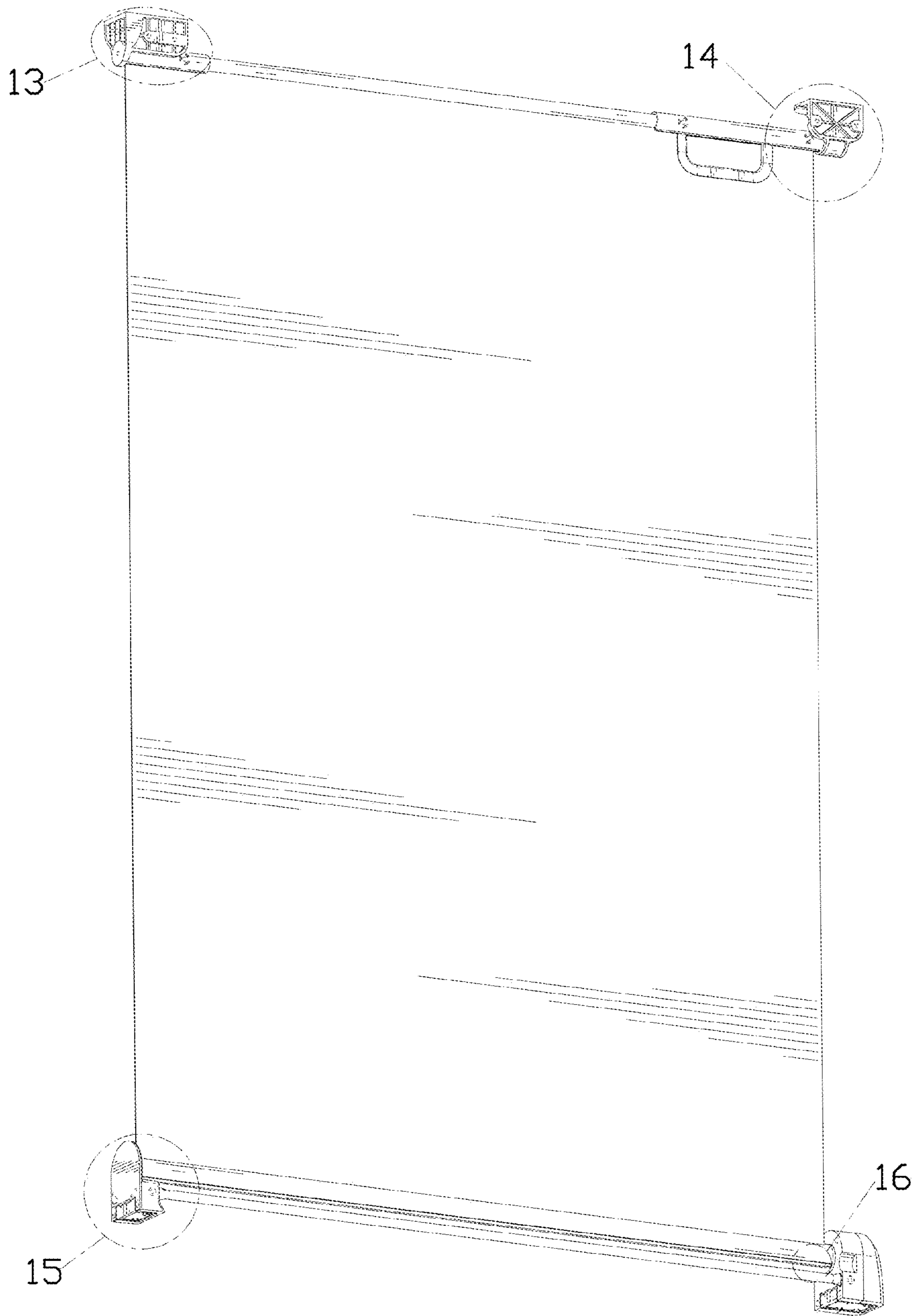


FIG. 2



FIG. 3

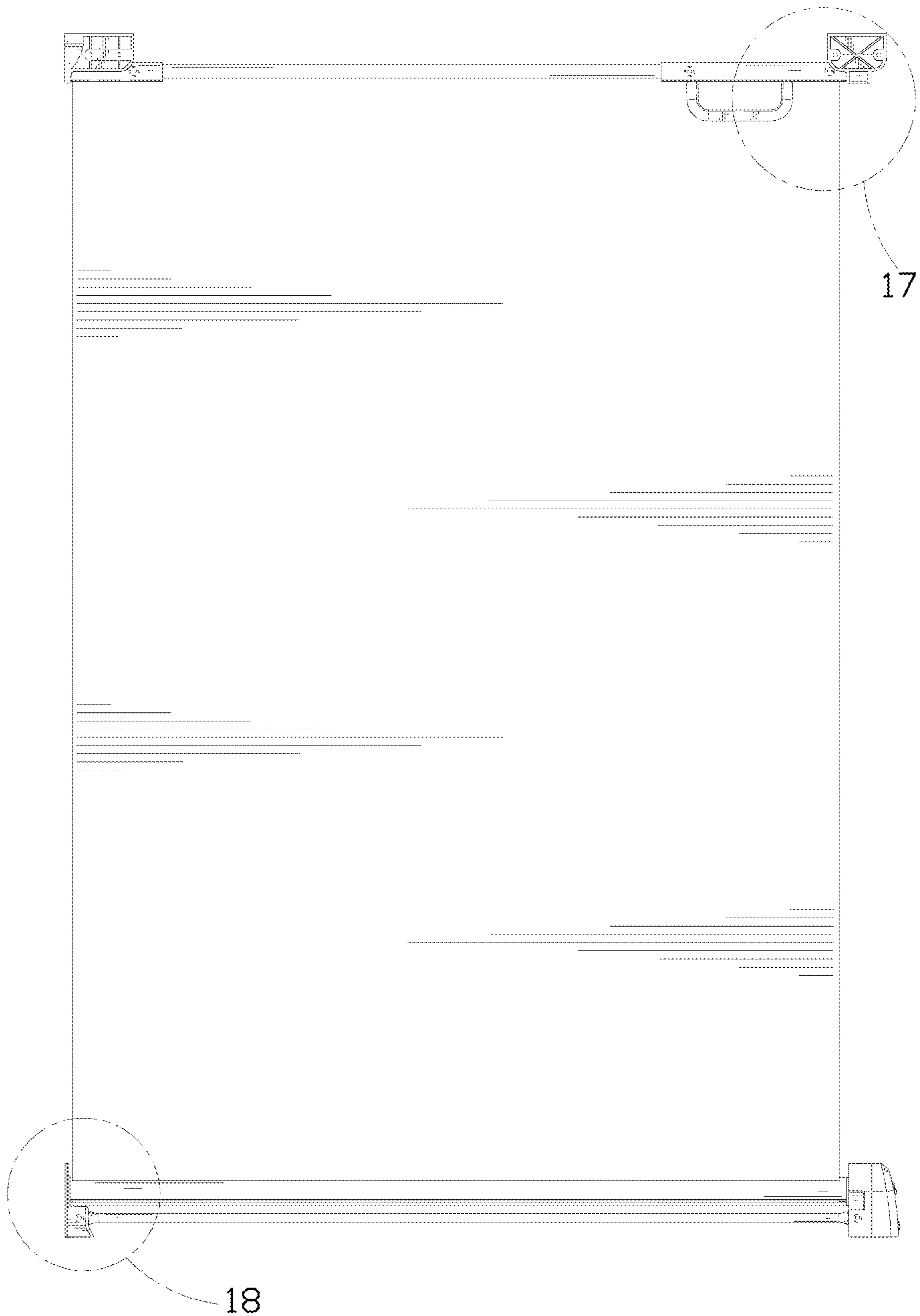


FIG. 4

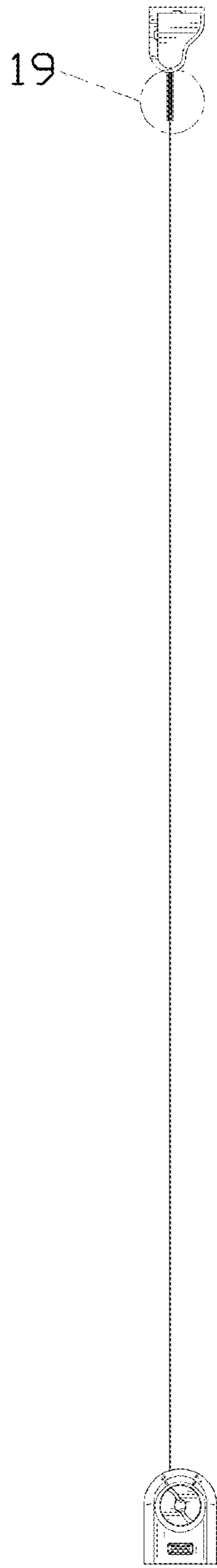


FIG. 5

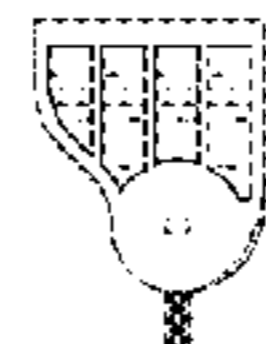


FIG. 6

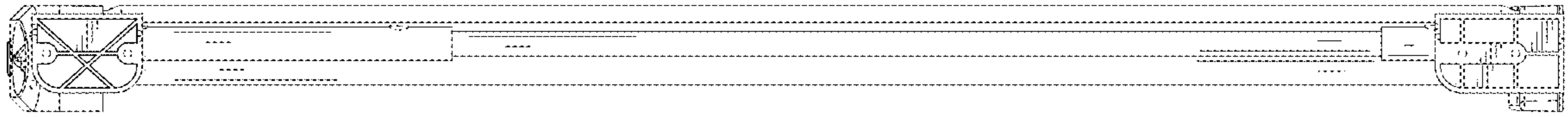


FIG. 7

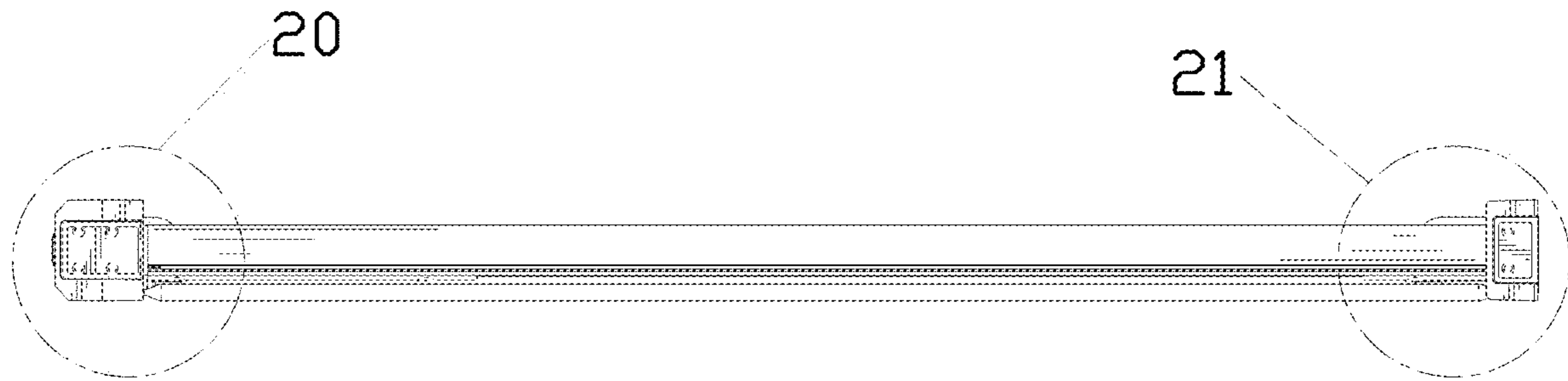


FIG. 8

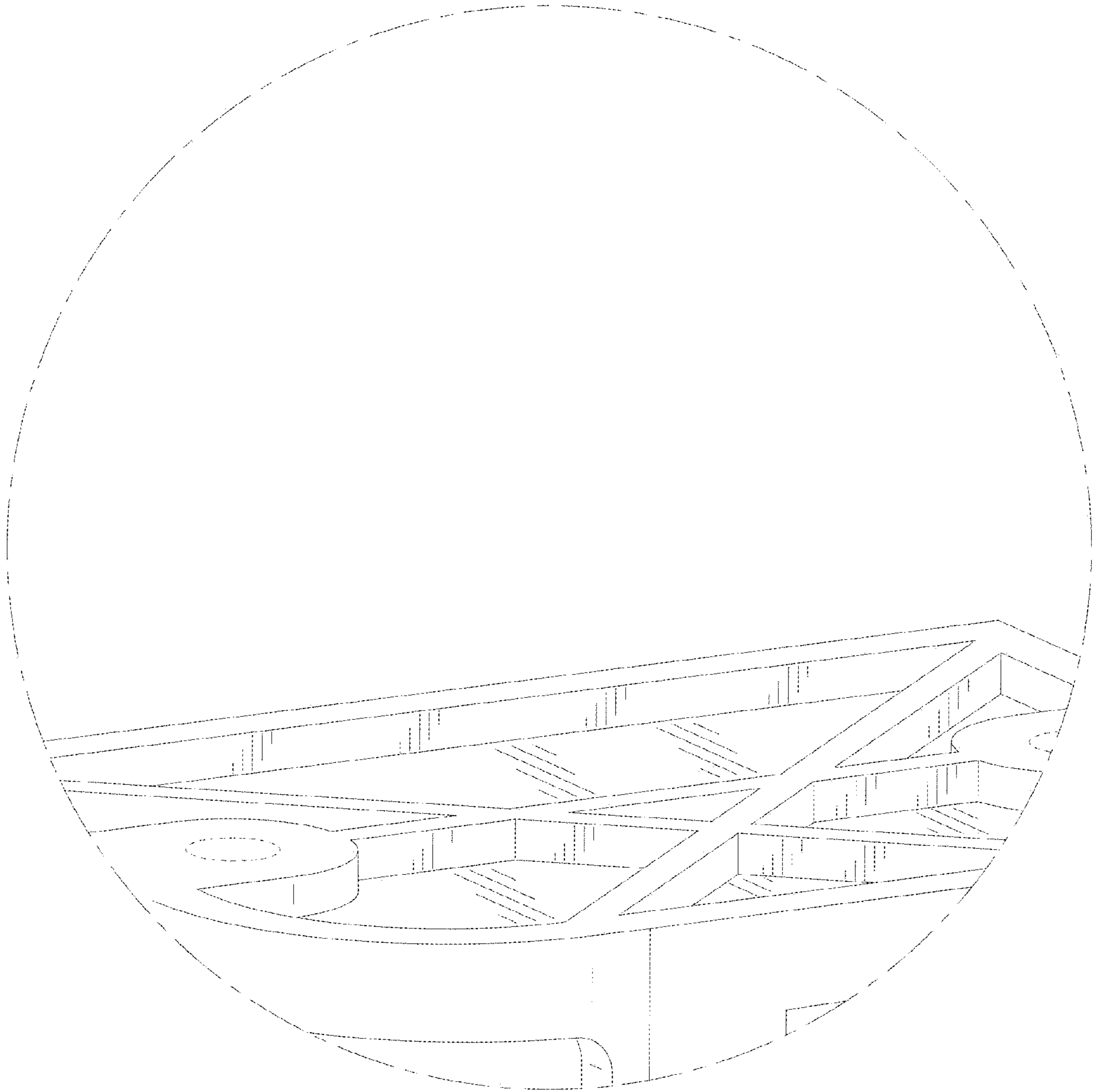


FIG. 9

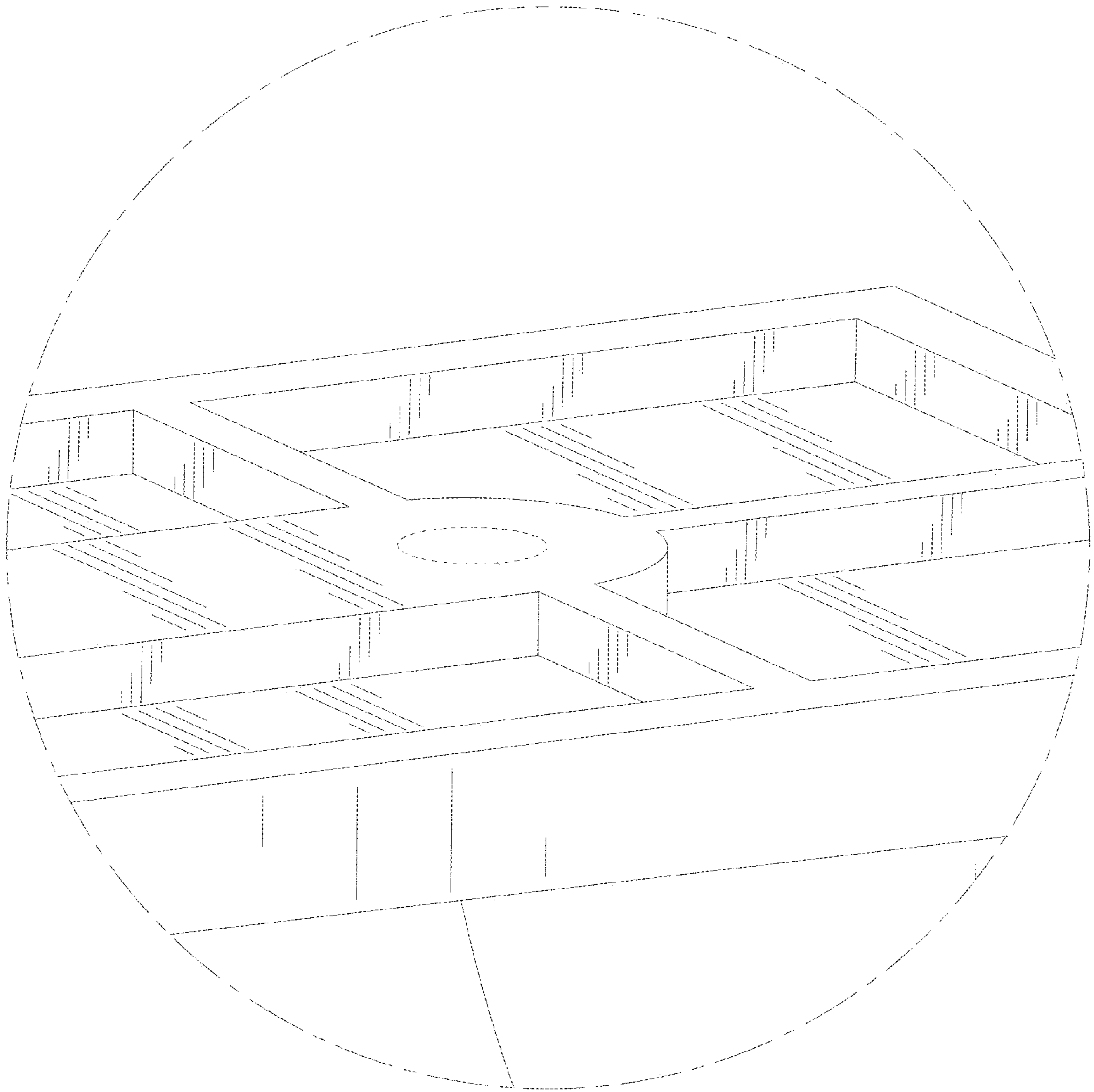


FIG. 10

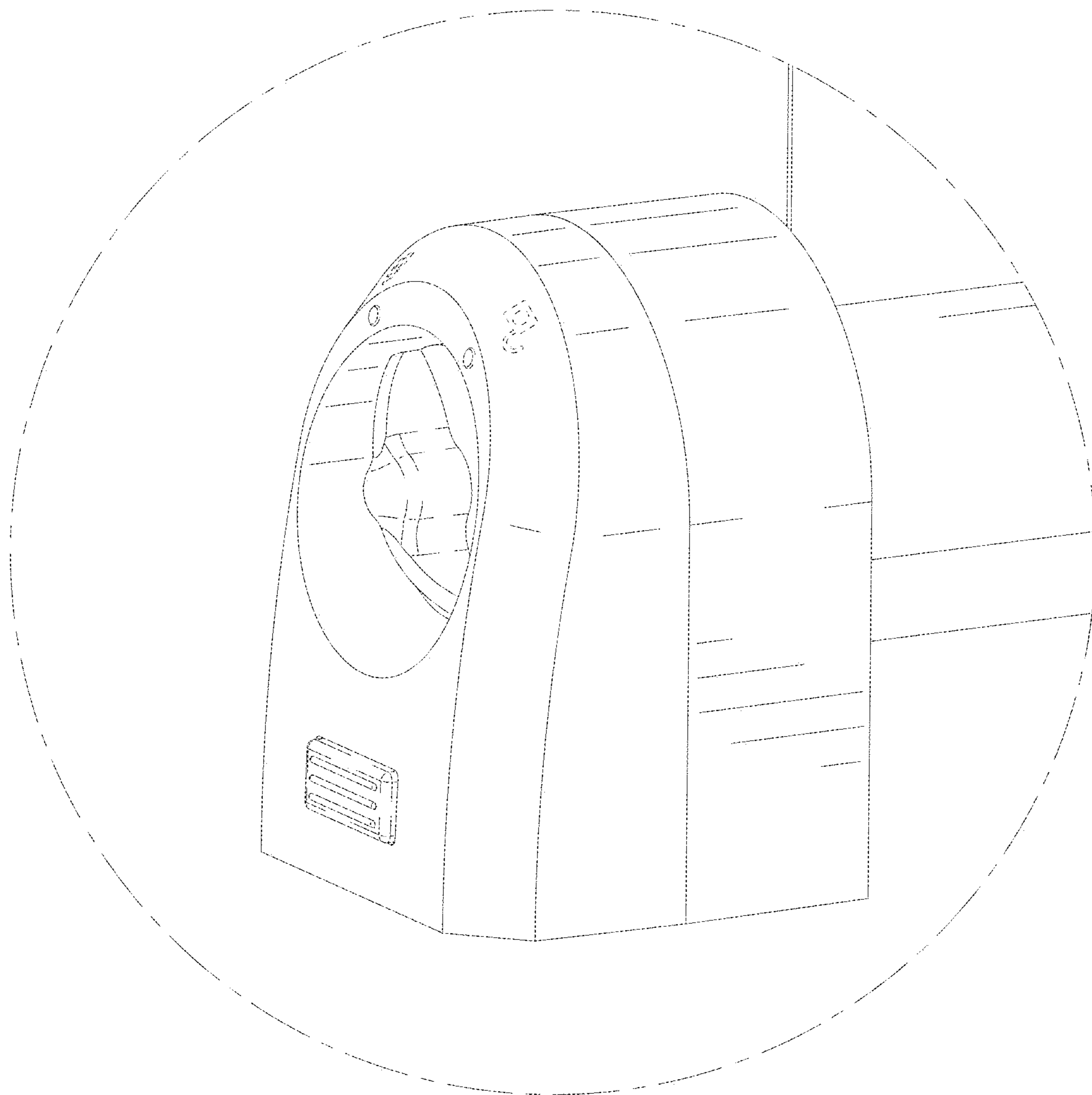


FIG. 11

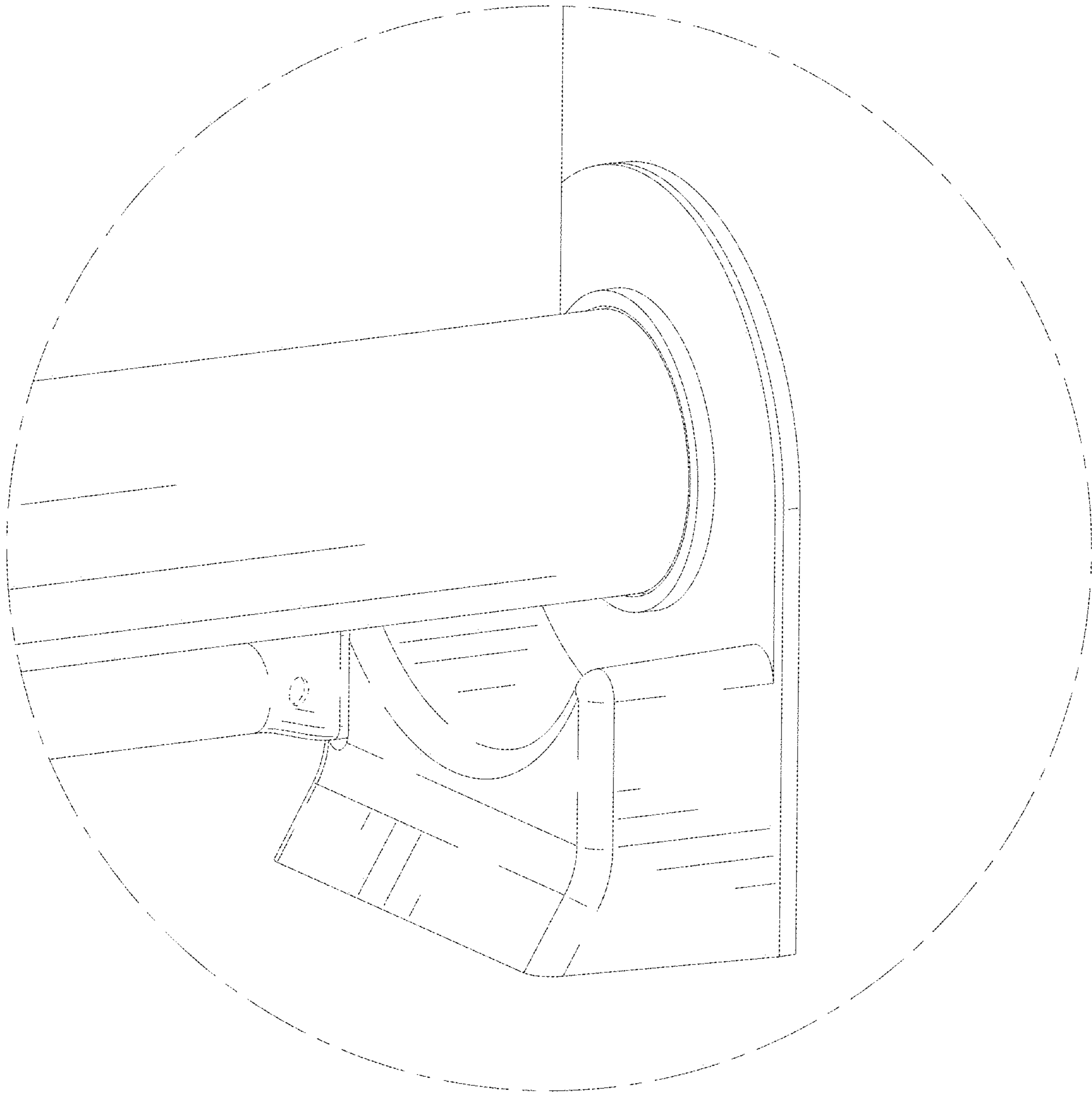


FIG. 12

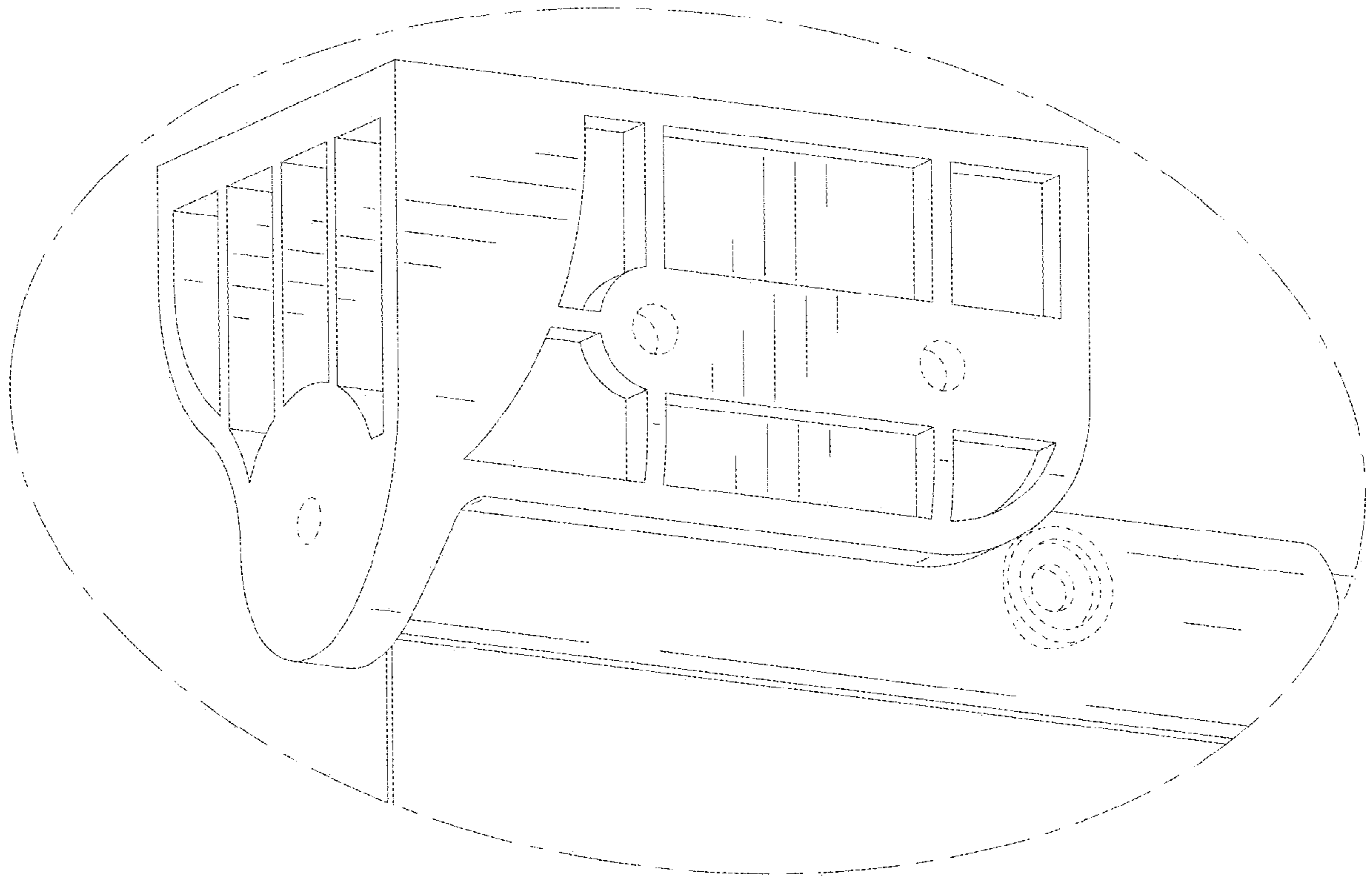


FIG. 13

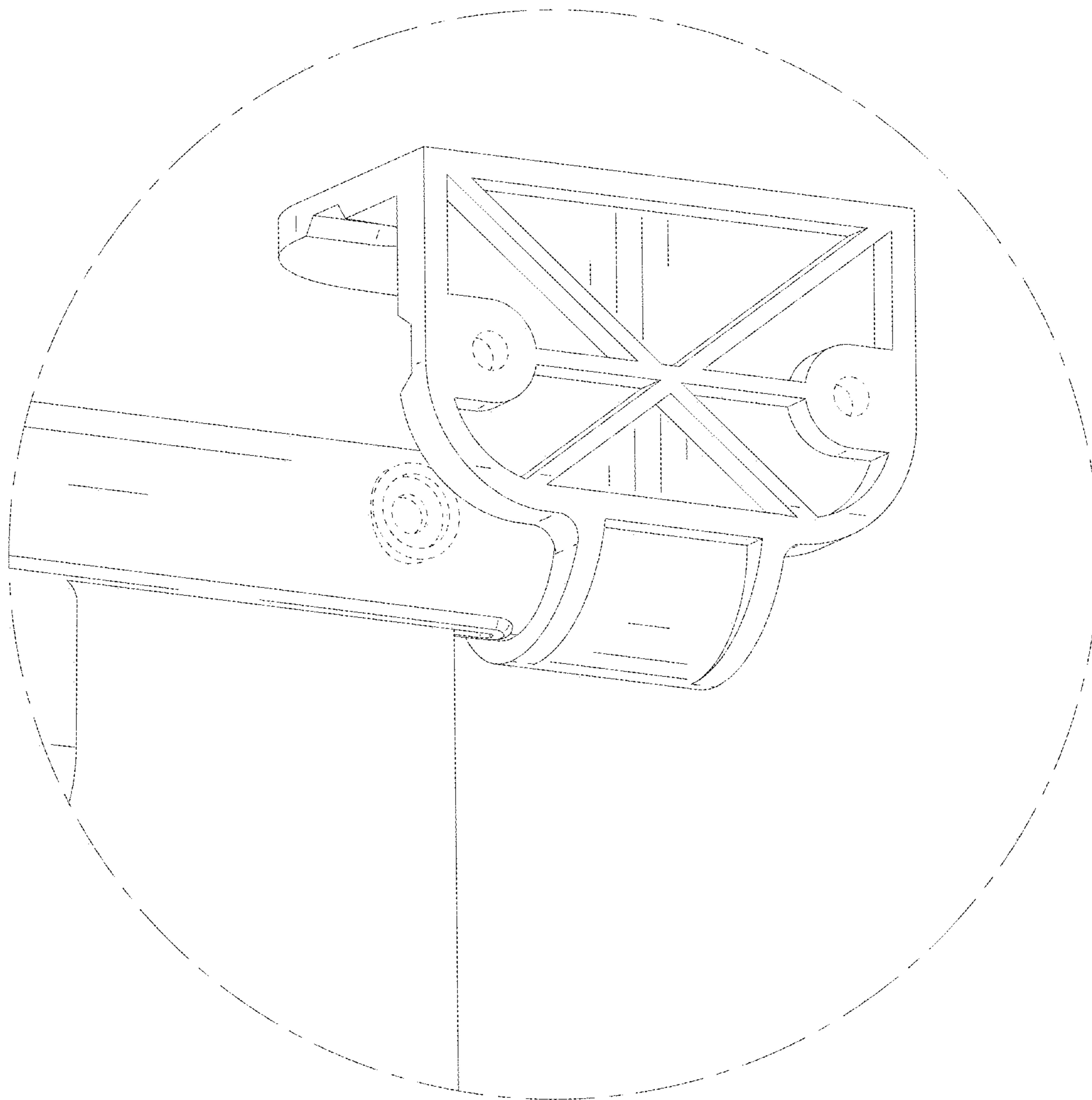


FIG. 14

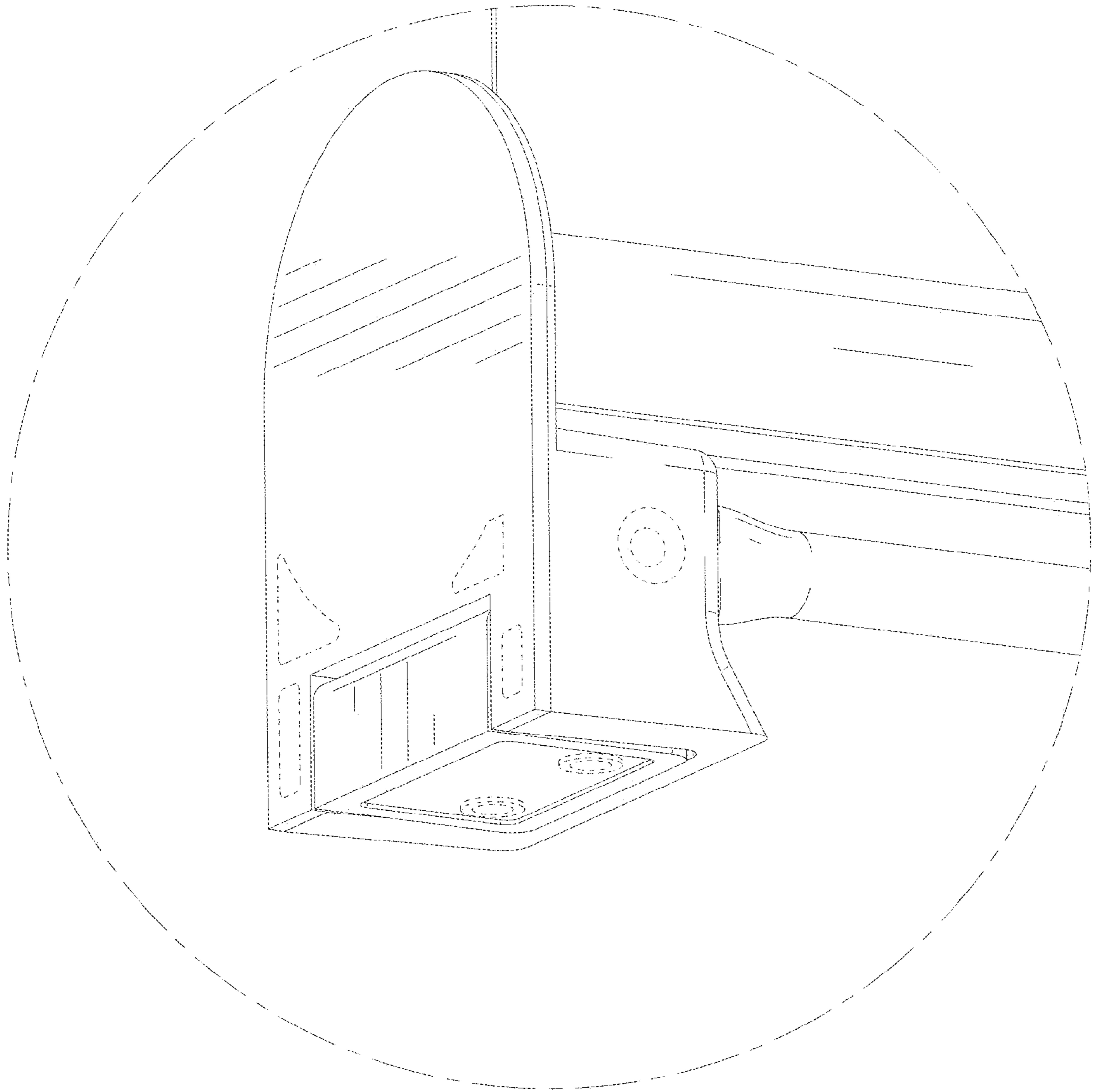


FIG. 15

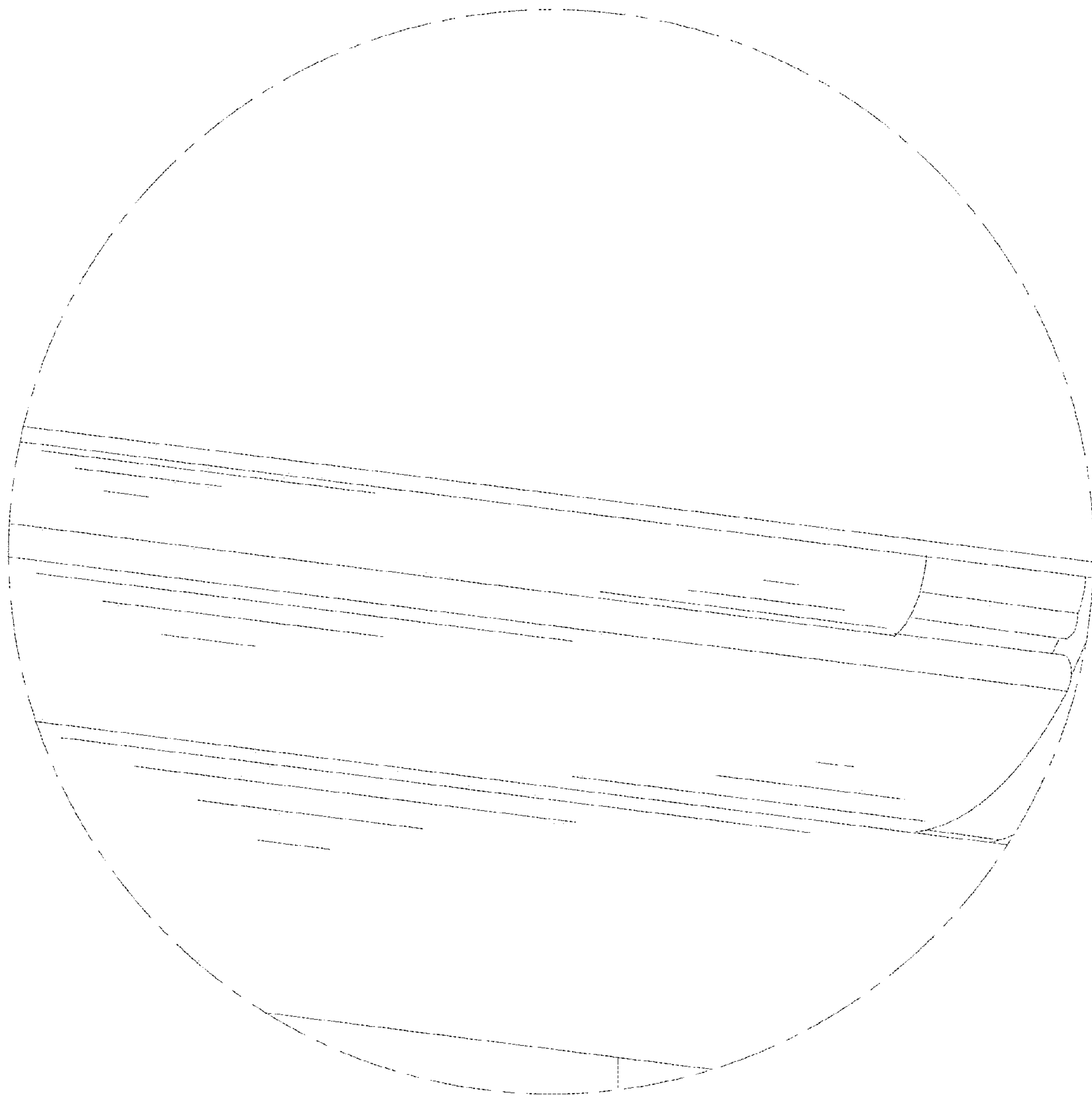


FIG. 16

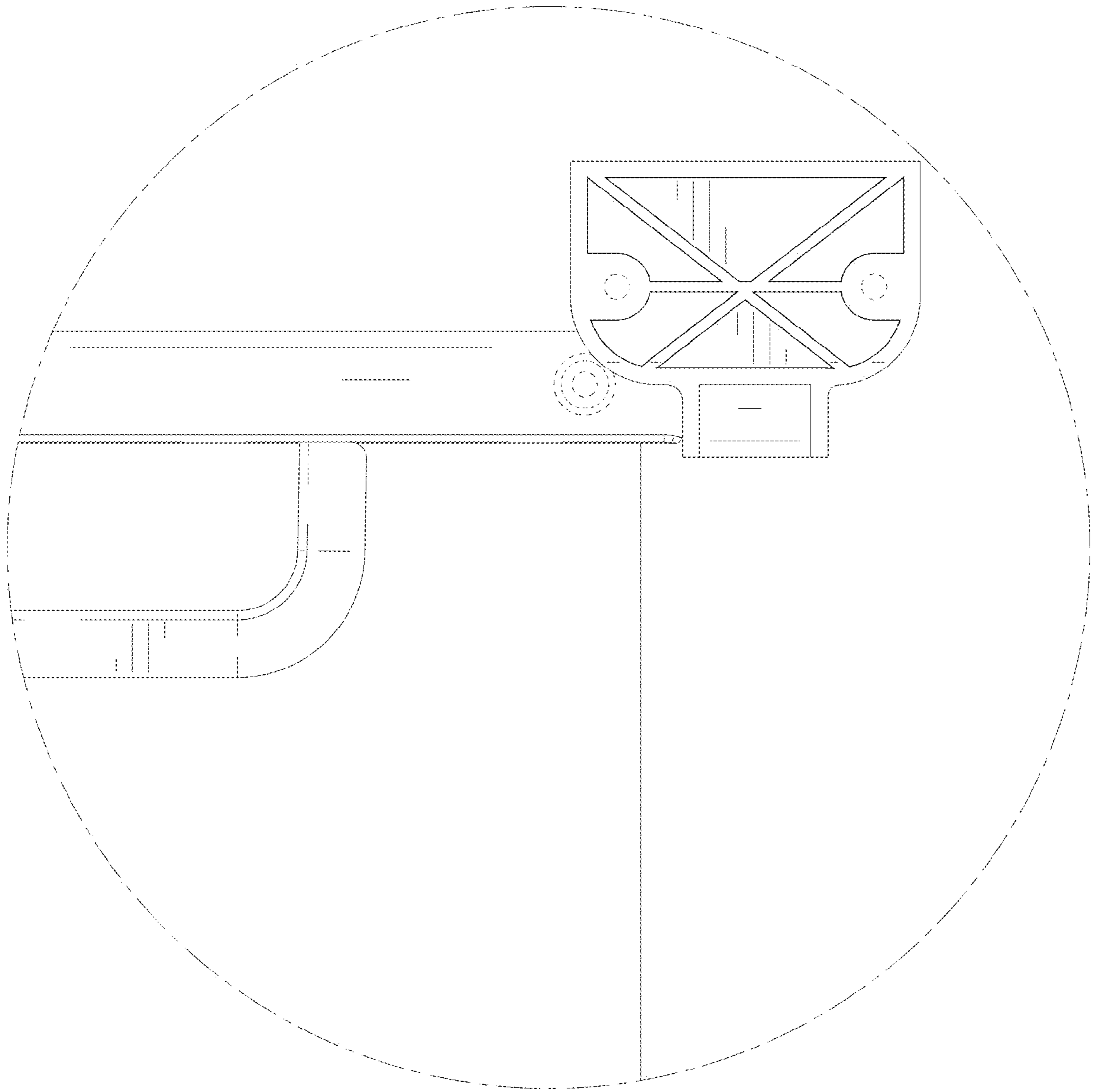


FIG. 17

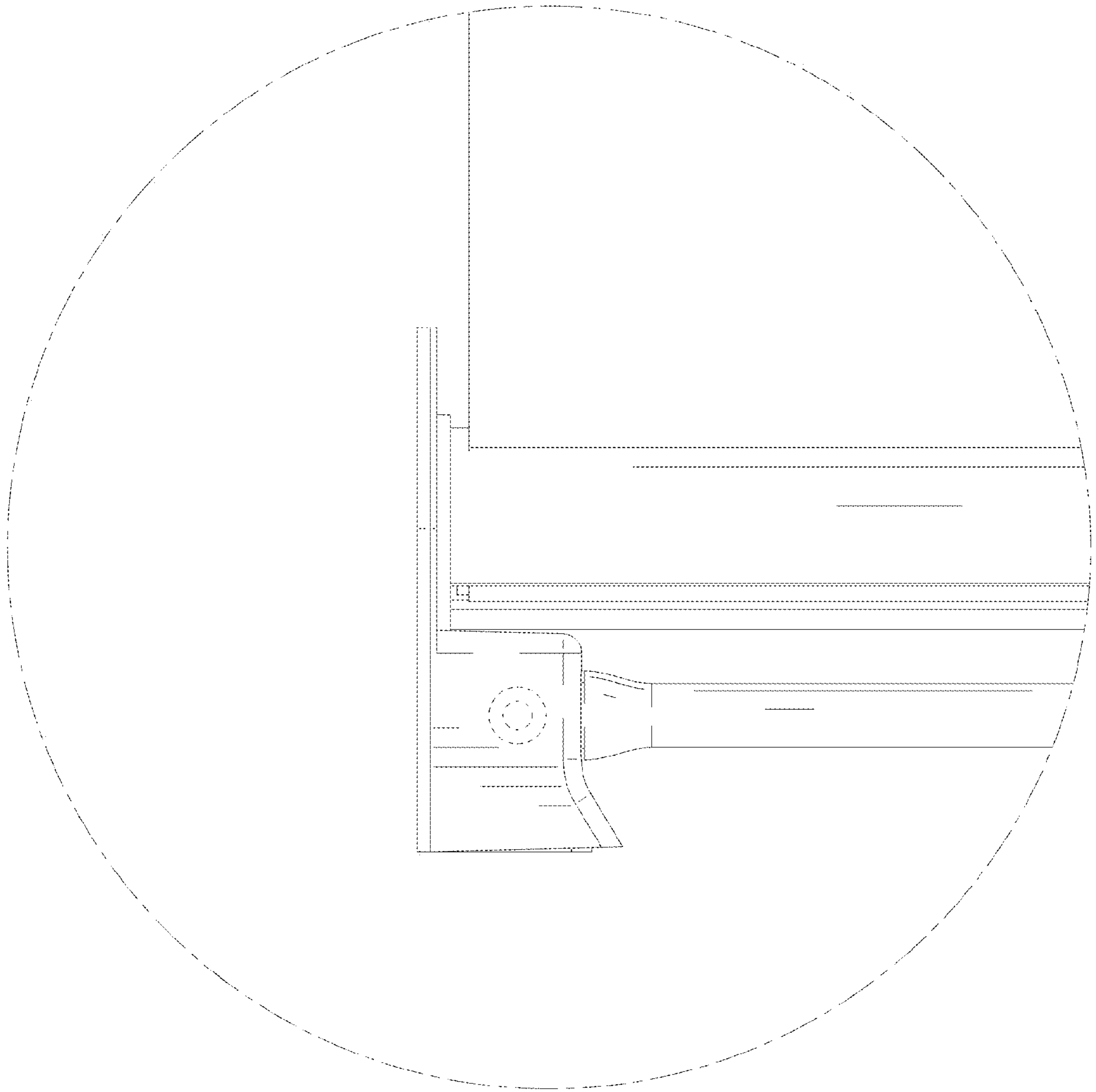


FIG. 18

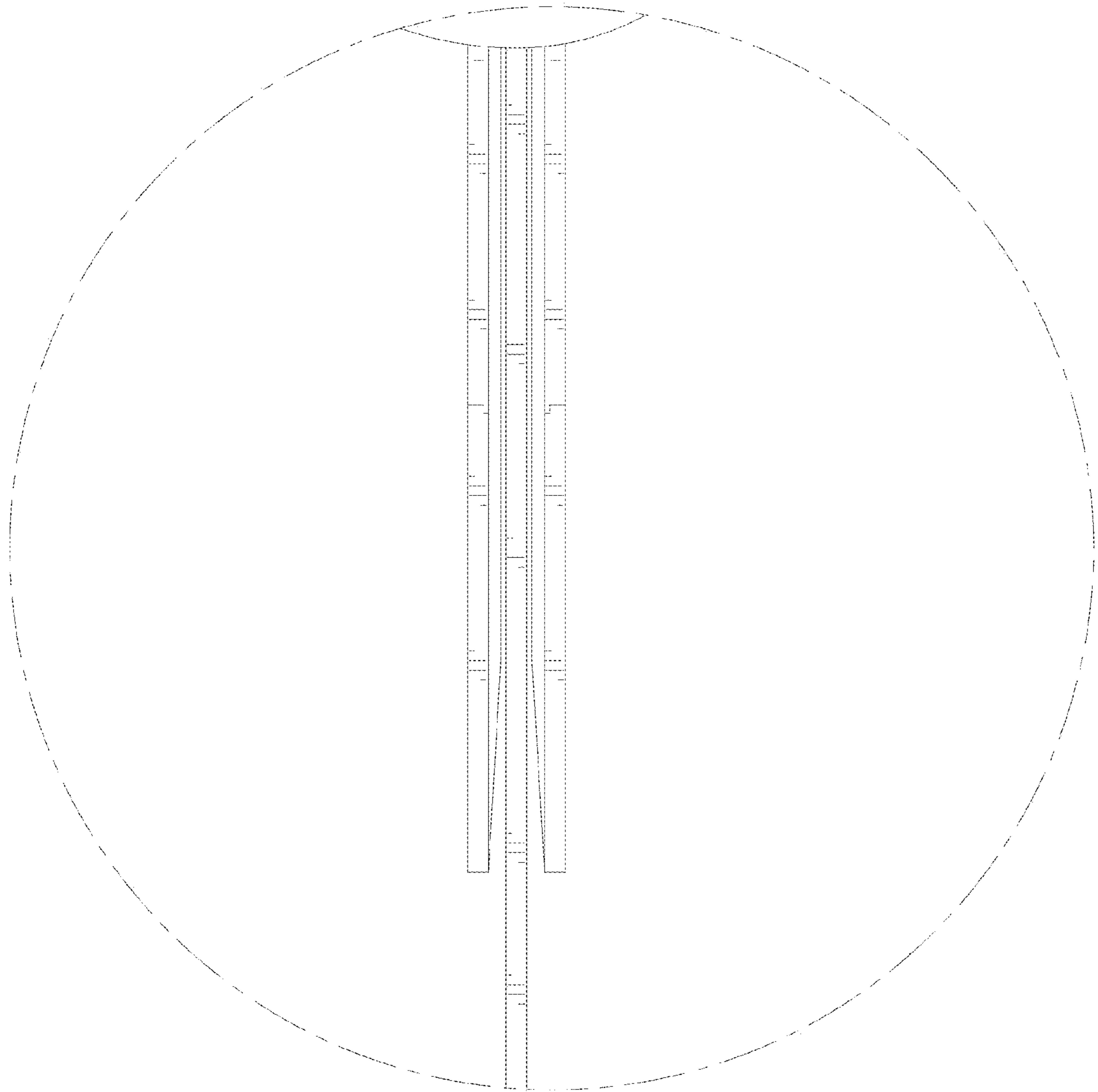


FIG. 19

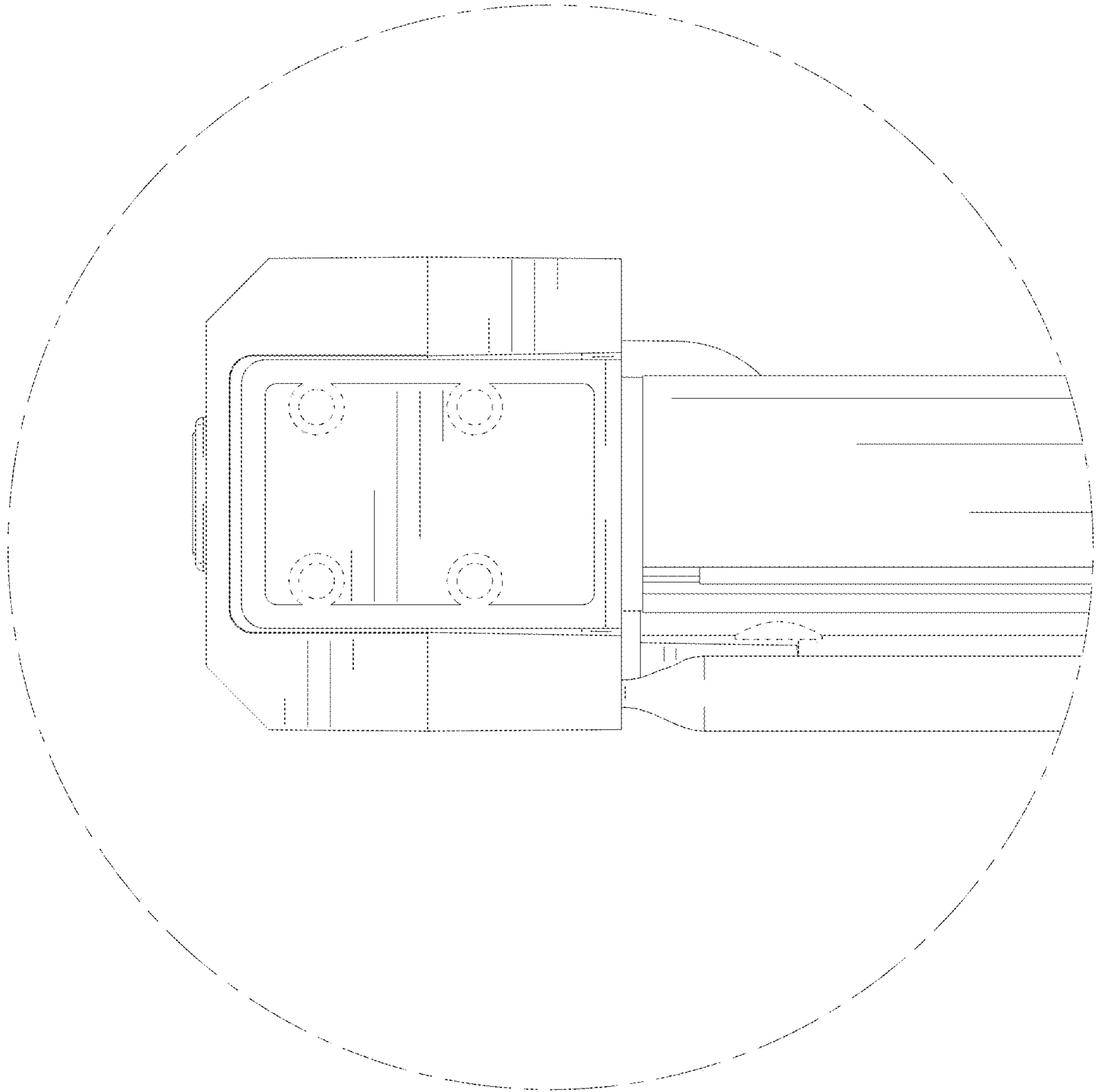


FIG. 20

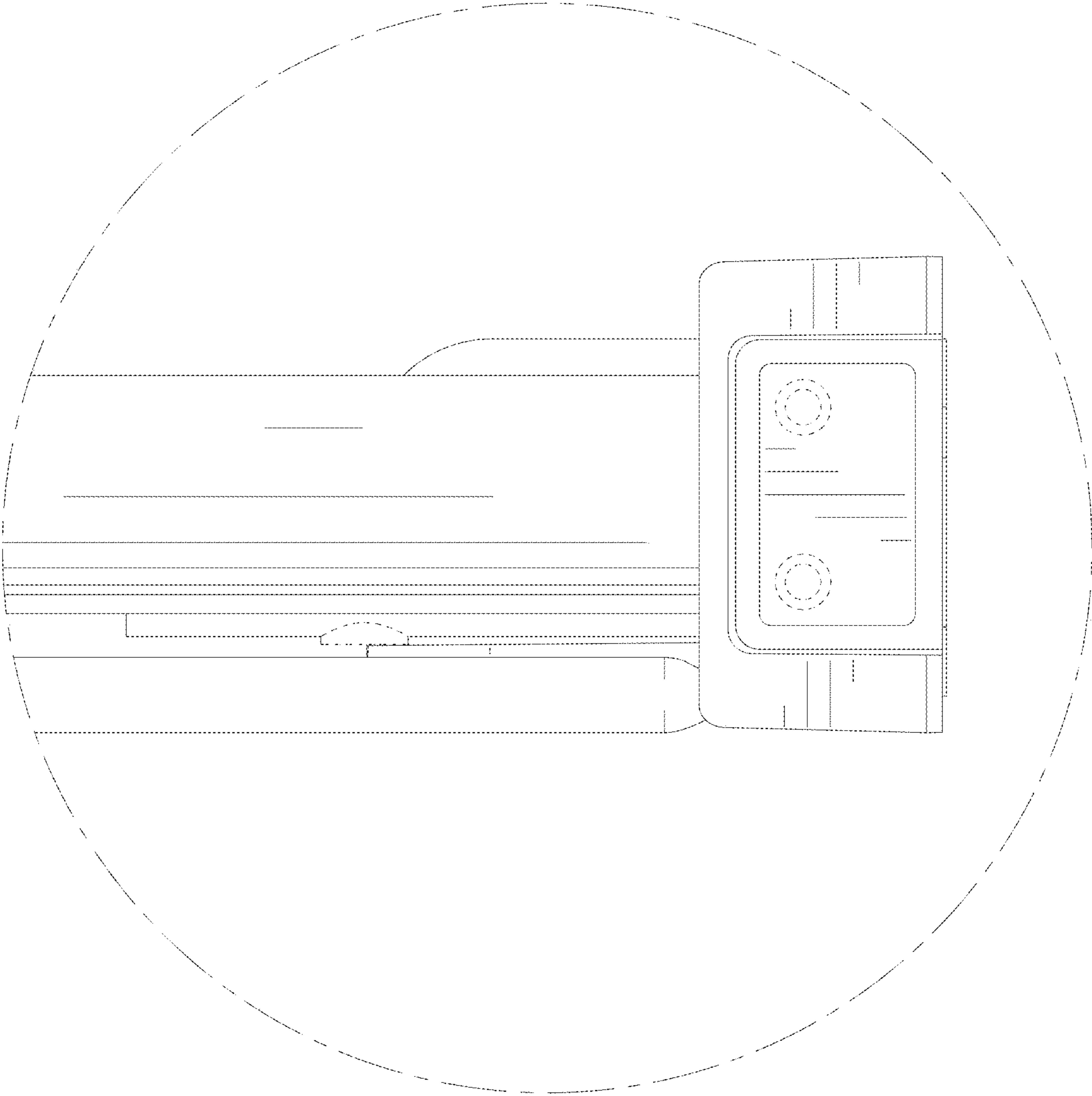


FIG. 21