



US0D1032876S

(12) **United States Design Patent** (10) **Patent No.:** **US D1,032,876 S**
Delano et al. (45) **Date of Patent:** **** Jun. 25, 2024**

(54) **PAVILION**

FOREIGN PATENT DOCUMENTS

(71) Applicant: **SkyHook Solar Corp**, Aspen, CO (US)

CN 304223868 7/2017
CN 305344002 9/2019

(72) Inventors: **Daniel Delano**, Woody Creek, CO (US); **William Gilmore**, Aspen, CO (US); **Joseph Goodman**, Snowmass Village, CO (US); **Chris Needham**, Mountain View, HI (US); **Frank Oudheusden**, Mount Vernon, NH (US)

(Continued)

(73) Assignee: **SKYHOOD SOLAR CORP**, Aspen, CO (US)

OTHER PUBLICATIONS

Solar charging station Sunflower, available in zano-streetfurniture.com, announced Year 2020 [online], [site visited May 15, 2023], Internet URL: <https://www.zano-streetfurniture.com/street-furniture/catalogue/solar-charging-stations/sunflower-solar-charging-station-19-001> (Year: 2020).*

(Continued)

(**) Term: **15 Years**

(21) Appl. No.: **29/861,337**

Primary Examiner — Leanne Was-Englehart

Assistant Examiner — Jasmine L. Comedy

(22) Filed: **Nov. 29, 2022**

(74) *Attorney, Agent, or Firm* — Ballard Spahr LLP

Related U.S. Application Data

(62) Division of application No. 29/751,522, filed on Sep. 22, 2020, now Pat. No. Des. 974,591.

(51) **LOC (14) Cl.** **25-03**

(52) **U.S. Cl.** **D25/28; D25/22**
USPC

(58) **Field of Classification Search**
USPC D25/1, 3-35, 56, 57, 61; D13/102; D6/714

CPC E04F 10/005; E04F 10/00; E04H 15/58; E04H 15/34; H02J 7/35; H02S 10/00; H02S 40/32; H02S 10/40; H02S 40/38

See application file for complete search history.

(56) **References Cited**

U.S. PATENT DOCUMENTS

D194,969 S 4/1963 McGee
D196,637 S 10/1963 Christ-Janer
D242,069 S 10/1976 Barber
5,441,068 A 8/1995 Rasch et al.

(Continued)

(57) **CLAIM**

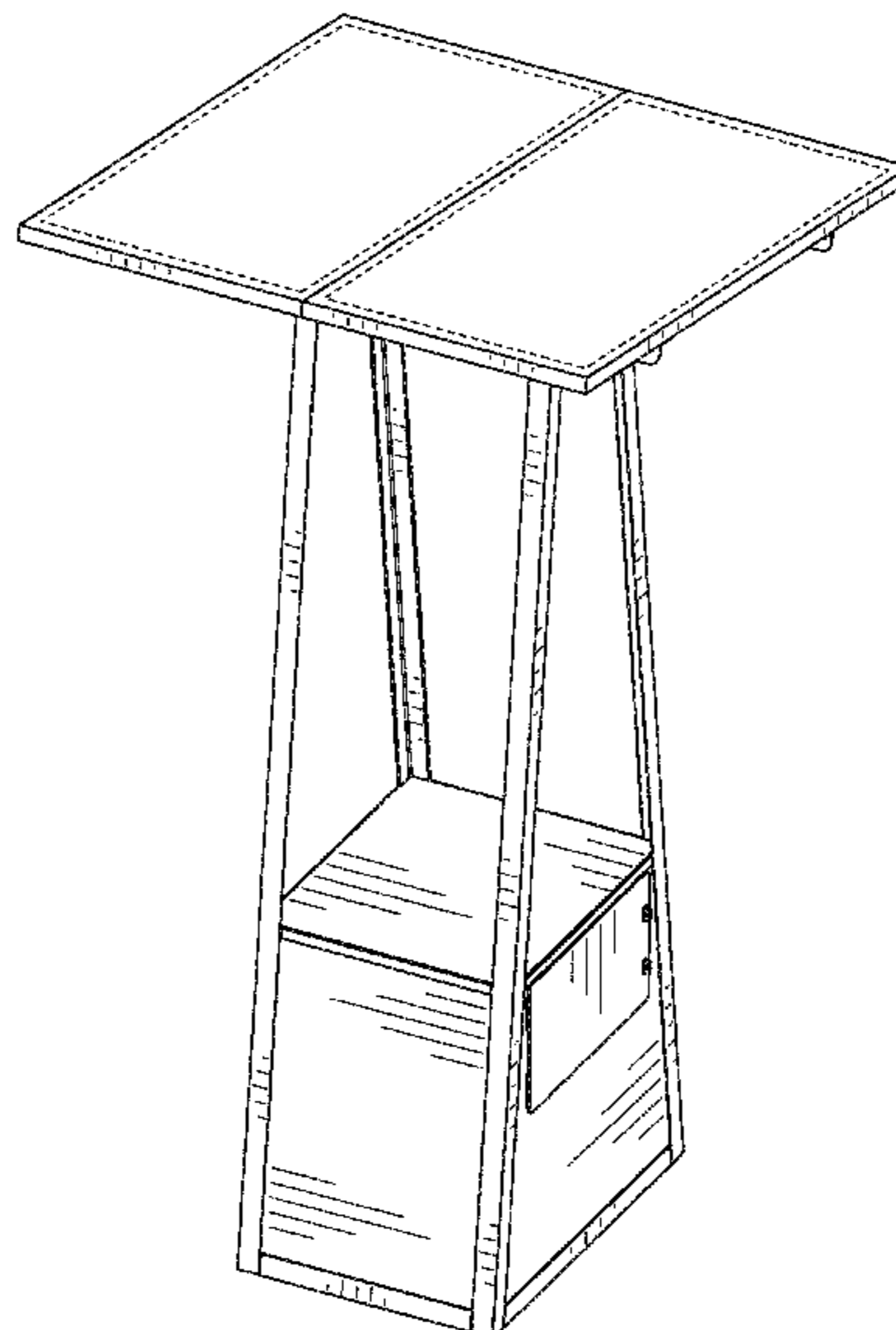
We claim the ornamental design for a pavilion, as shown and described.

DESCRIPTION

FIG. 1 is an isometric view of a pavilion;
FIG. 2 is a left side view of the pavilion shown in FIG. 1,
FIG. 3 is a the right side view of the design for the pavilion shown in FIG. 1;
FIG. 4 is a front view of the design for the pavilion shown in FIG. 1;
FIG. 5 is a rear view of the design for the pavilion shown in FIG. 1;
FIG. 6 is a top view of the design for the pavilion shown in FIG. 1; and,
FIG. 7 is a bottom view of the design for the pavilion shown in FIG. 1.

The broken lines depict portions of the pavilion that form no part of the claimed design.

1 Claim, 4 Drawing Sheets



(56)

References Cited

U.S. PATENT DOCUMENTS

D421,132 S 2/2000 Chipman et al.
 D432,665 S 10/2000 Chipman et al.
 D481,802 S 11/2003 Shilling et al.
 D537,170 S 2/2007 Takeuchi et al.
 D537,532 S 2/2007 Takeuchi et al.
 D611,405 S 3/2010 Mackler
 7,705,277 B2 4/2010 Noble et al.
 D643,937 S 8/2011 Boesch
 D647,216 S 10/2011 Richardson
 D663,683 S 7/2012 Fischer
 8,387,318 B2 3/2013 Kaufman
 D731,408 S * 6/2015 Ko D13/102
 D850,363 S 6/2019 McKibben et al.
 D856,726 S 8/2019 Mak
 D881,412 S 4/2020 Katov
 D957,318 S 7/2022 Atanasova
 D972,749 S * 12/2022 Flynn D25/56
 D974,591 S * 1/2023 Delano D25/16
 D993,906 S * 8/2023 Dunn D13/102
 D1,002,871 S * 10/2023 Delano D25/28
 D1,004,133 S * 11/2023 Green D25/20
 2020/0220376 A1 * 7/2020 Delano H02J 7/0042
 2021/0211086 A1 7/2021 Schwarze

FOREIGN PATENT DOCUMENTS

GB 2026941 2/1980
 KR 3009452550000 2/2018

OTHER PUBLICATIONS

Smart Charger, available in solarchargingstation.com, announced Year 2020 [online], [site visited May 15, 2023], Internet URL: <https://solarchargingstation.com/smart-charger/> (Year: 2020).*

Sun Charge Systems Solar Charging Stations, available in [generalrecreationinc.com](https://www.generalrecreationinc.com), announced Year 2021 [online], [site visited May 15, 2023], Internet URL: <https://www.generalrecreationinc.com/solar-charging-stations-catalog/> (Year: 2021).*

Dash solar charging station, available in gosunbolt.com, announced Year 2020 [online], [site visited May 15, 2023], Internet URL: <https://gosunbolt.com/stand-ups/dash/> (Year: 2020).*

Skyhook Solar, available in [facebook.com](https://www.facebook.com/107700951470495/photos/a.112459617661295/139961671577756/), date first available Jul. 9, 2021 [online], [site visited Jan. 26, 2024], Available from the internet URL: <https://www.facebook.com/107700951470495/photos/a.112459617661295/139961671577756/> (Year: 2021).*

* cited by examiner

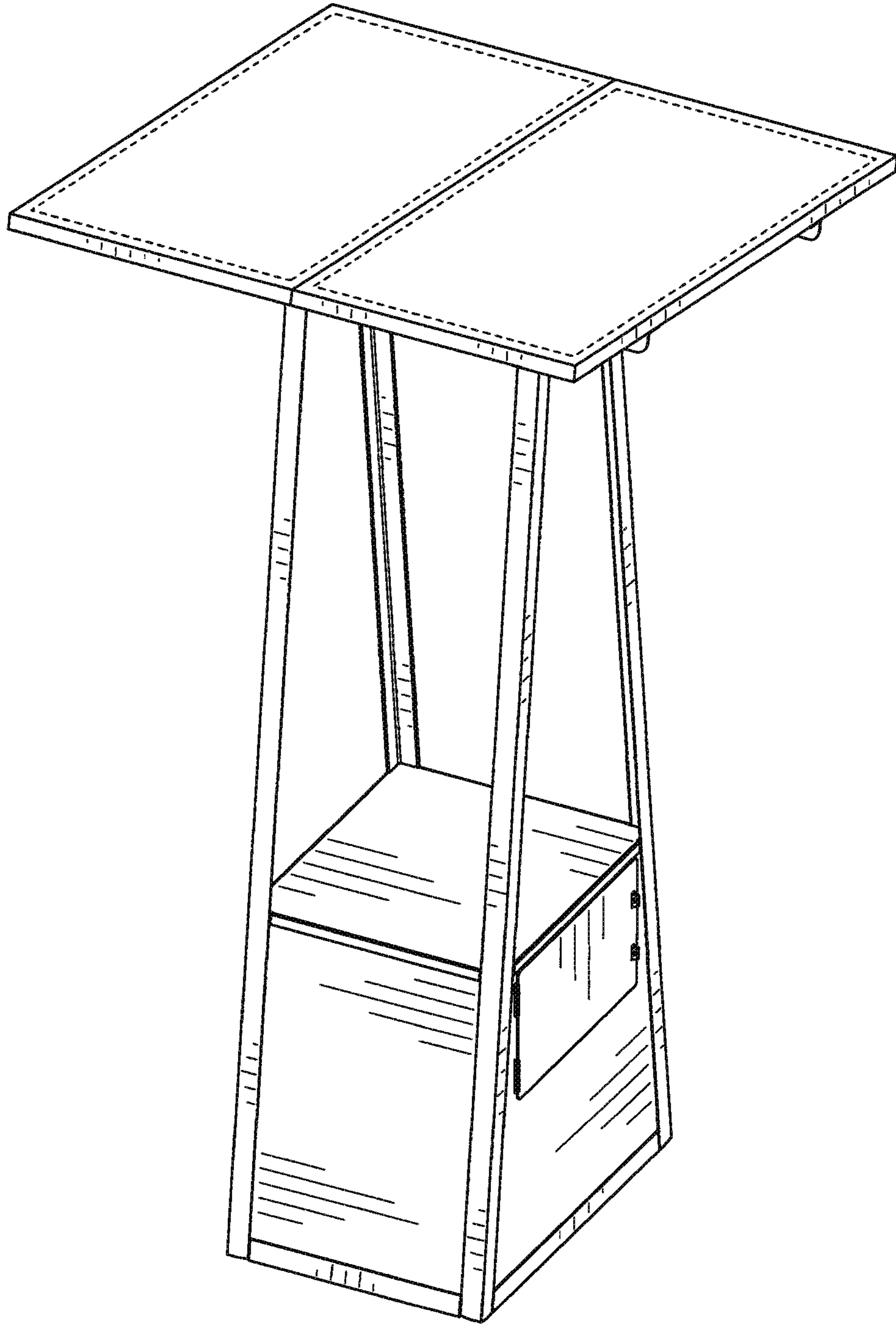


FIG. 1

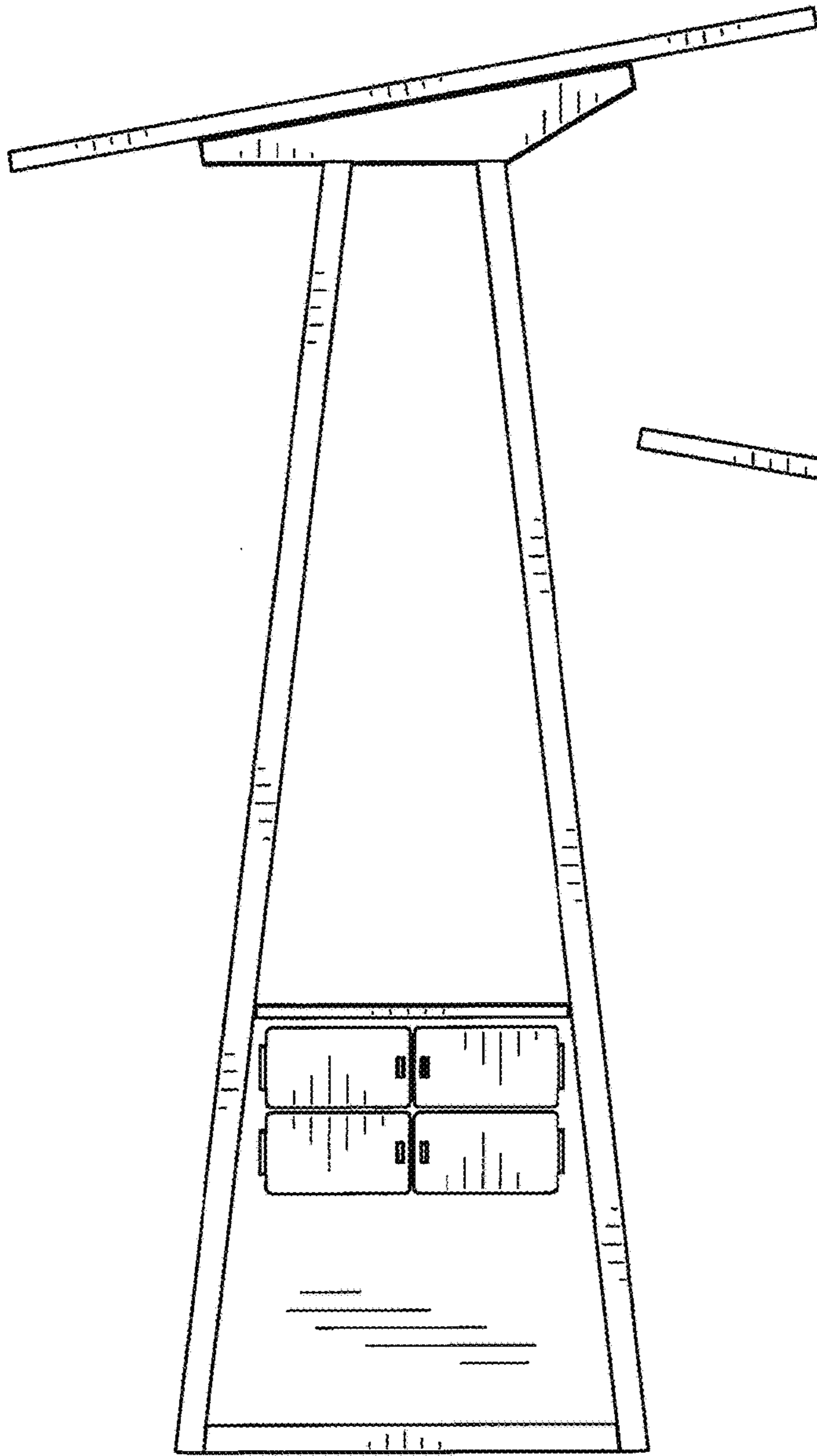


FIG. 2

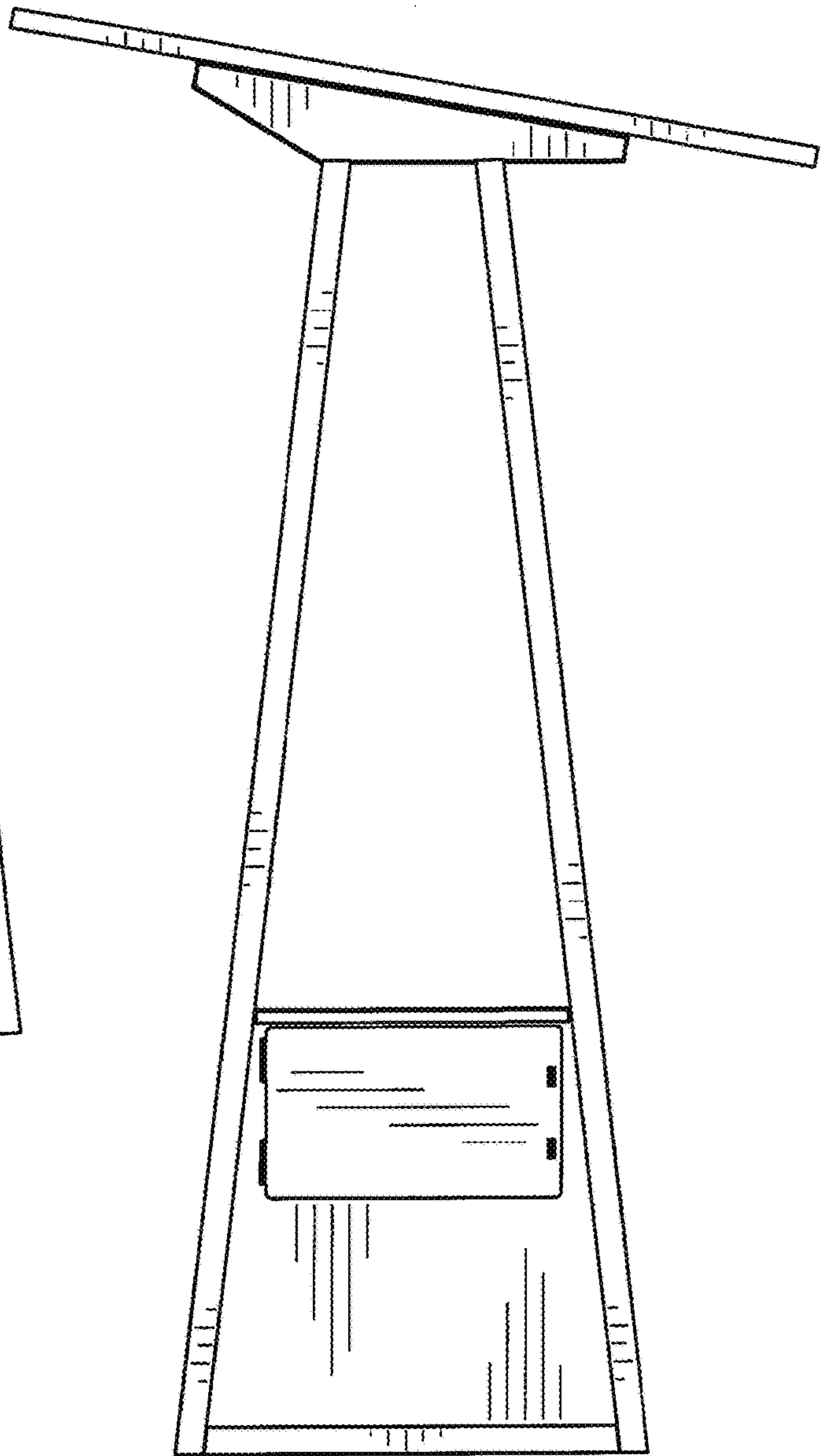


FIG. 3

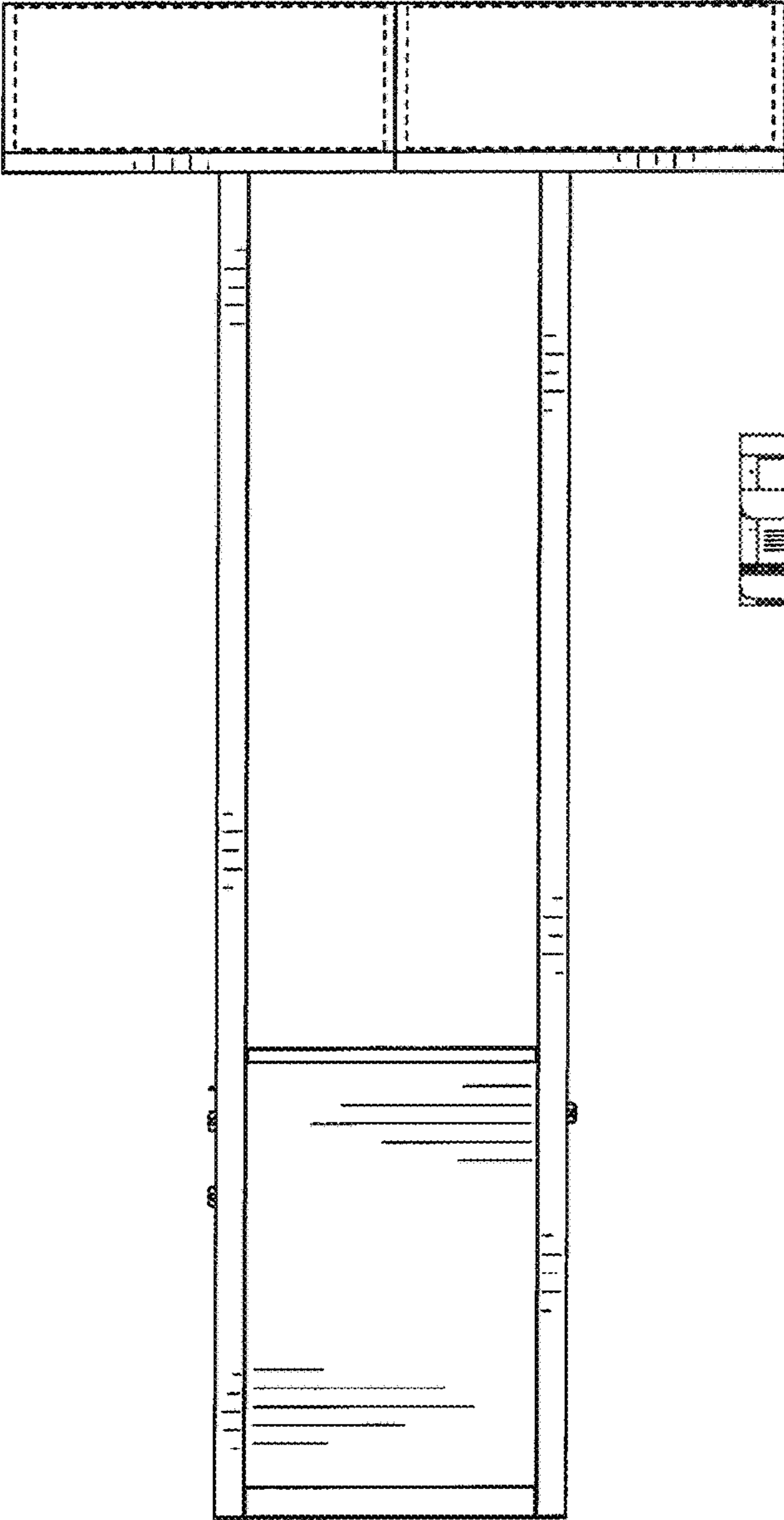


FIG. 4

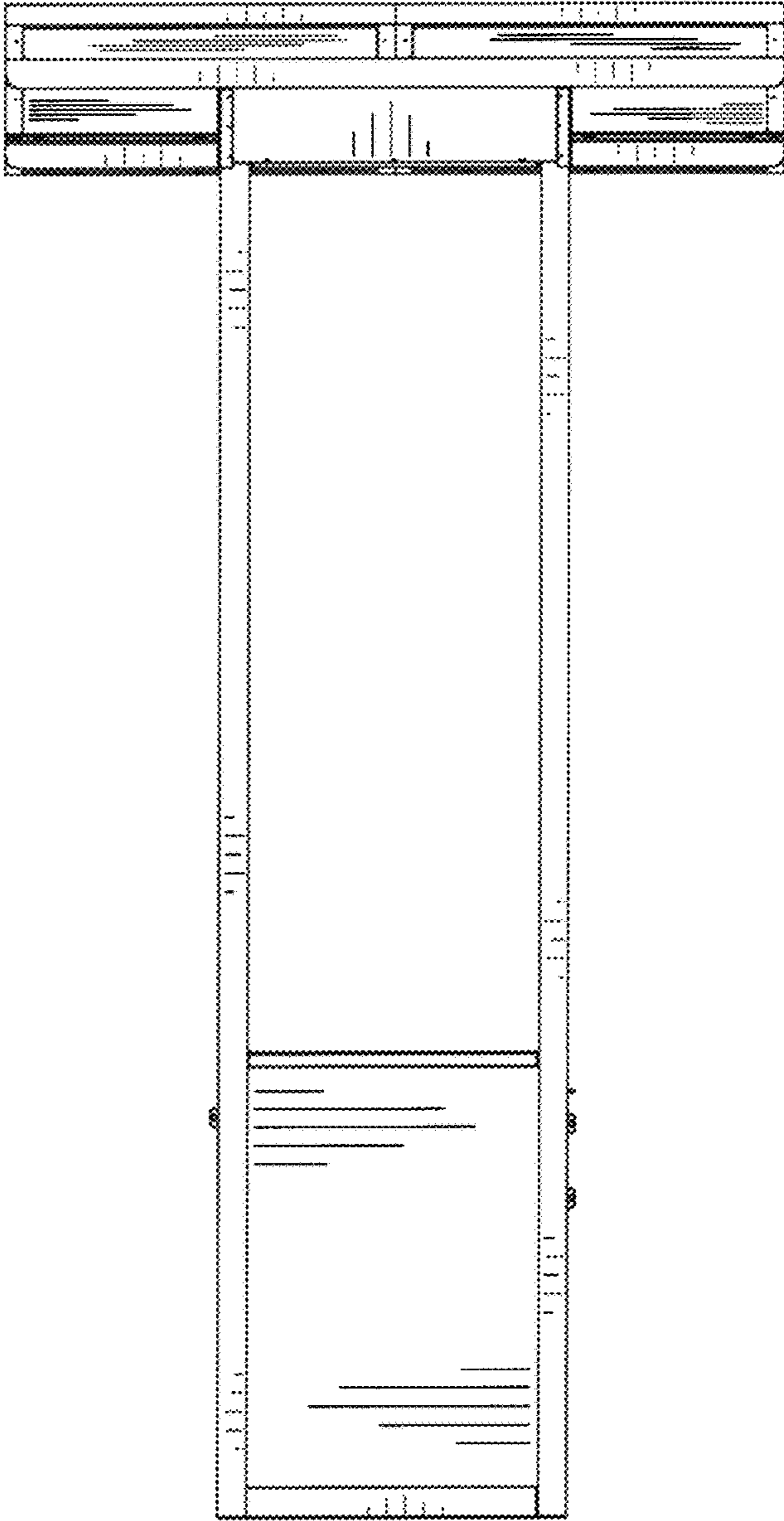


FIG. 5

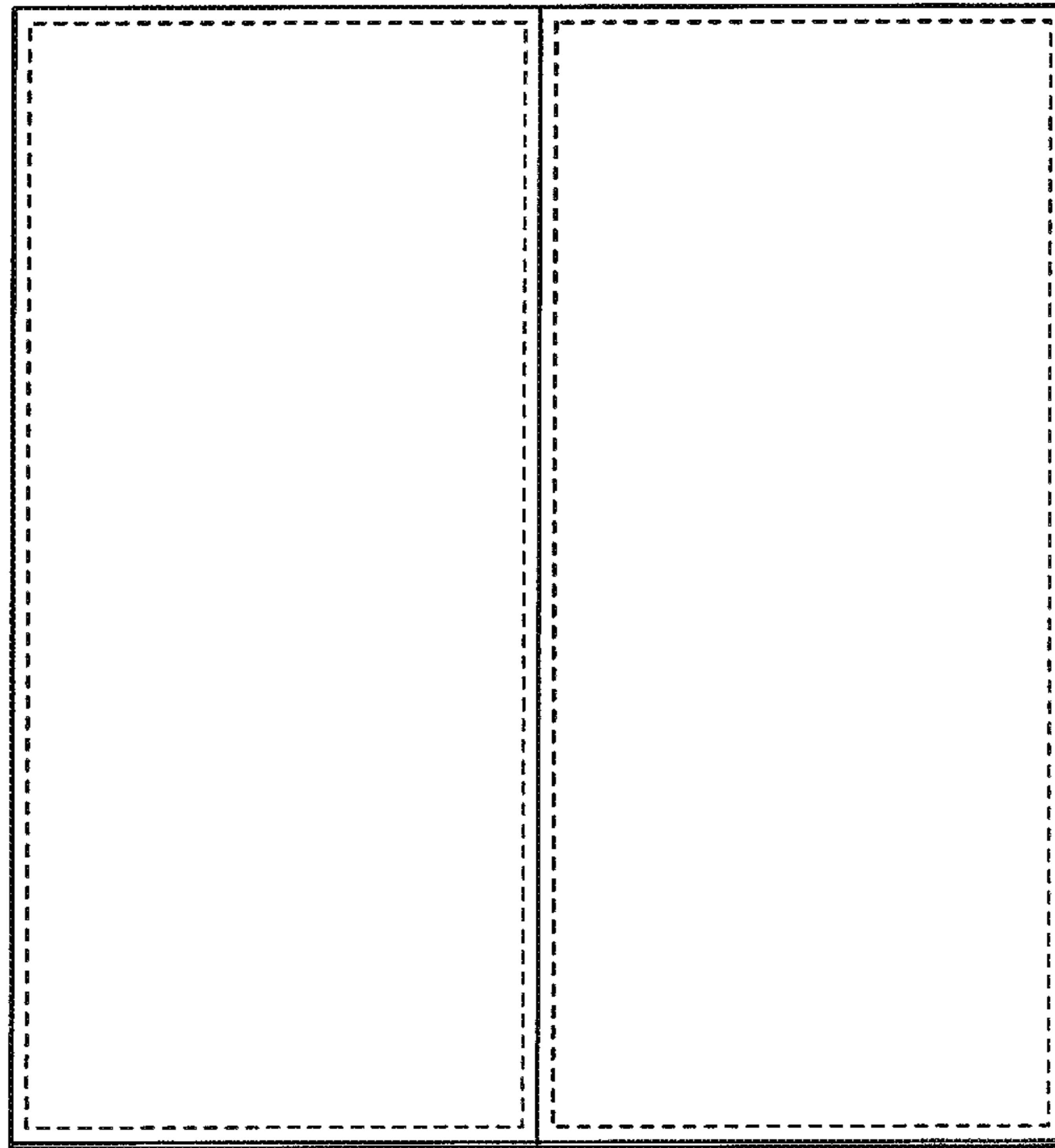


FIG. 6

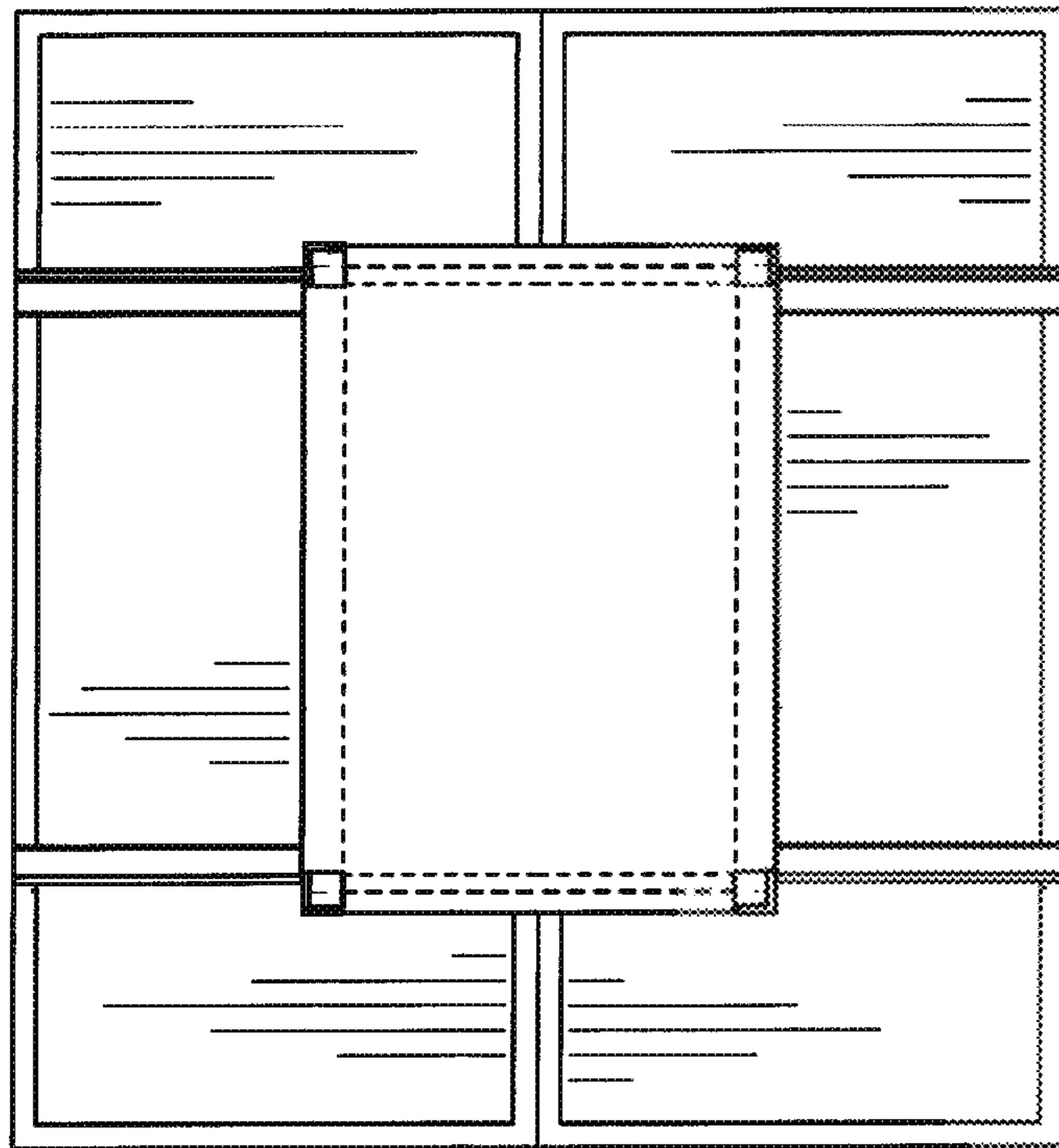


FIG. 7