



US0D1032842S

(12) **United States Design Patent** (10) **Patent No.:** **US D1,032,842 S**
Allan (45) **Date of Patent:** **** Jun. 25, 2024**

(54) **DENTAL IMPLANT**
(71) Applicant: **Omid Allan**, West Pennant Hills (AU)
(72) Inventor: **Omid Allan**, West Pennant Hills (AU)
(**) Term: **15 Years**
(21) Appl. No.: **29/839,851**
(22) Filed: **May 24, 2022**
(51) **LOC (14) Cl.** **24-04**
(52) **U.S. Cl.**
USPC **D24/156**
(58) **Field of Classification Search**
USPC D24/155, 156
CPC A61C 8/00; A61C 8/0089; A61C 8/0069;
A61C 8/0054; A61C 8/0096; A61C
8/0039; A61C 8/0063; A61C 8/006; A61C
8/0001; A61C 8/0012; A61C 8/0075;
A61C 8/0083
See application file for complete search history.

D952,855 S * 5/2022 Robbins A61B 17/7055
D24/155
2002/0123752 A1* 9/2002 Schultheiss A61B 17/8685
606/92
2014/0046381 A1* 2/2014 Asfora A61B 17/861
606/304
2016/0120583 A1* 5/2016 Bales A61B 17/8635
606/311
2023/0025644 A1* 1/2023 Maxwell A61B 17/8635
2023/0032203 A1* 2/2023 Maxwell A61B 17/869
2023/0285054 A1* 9/2023 Mehl A61B 17/86
606/301

* cited by examiner

Primary Examiner — Charles D Hanson

(57) **CLAIM**

The ornamental design for a dental implant, as shown and described.

DESCRIPTION

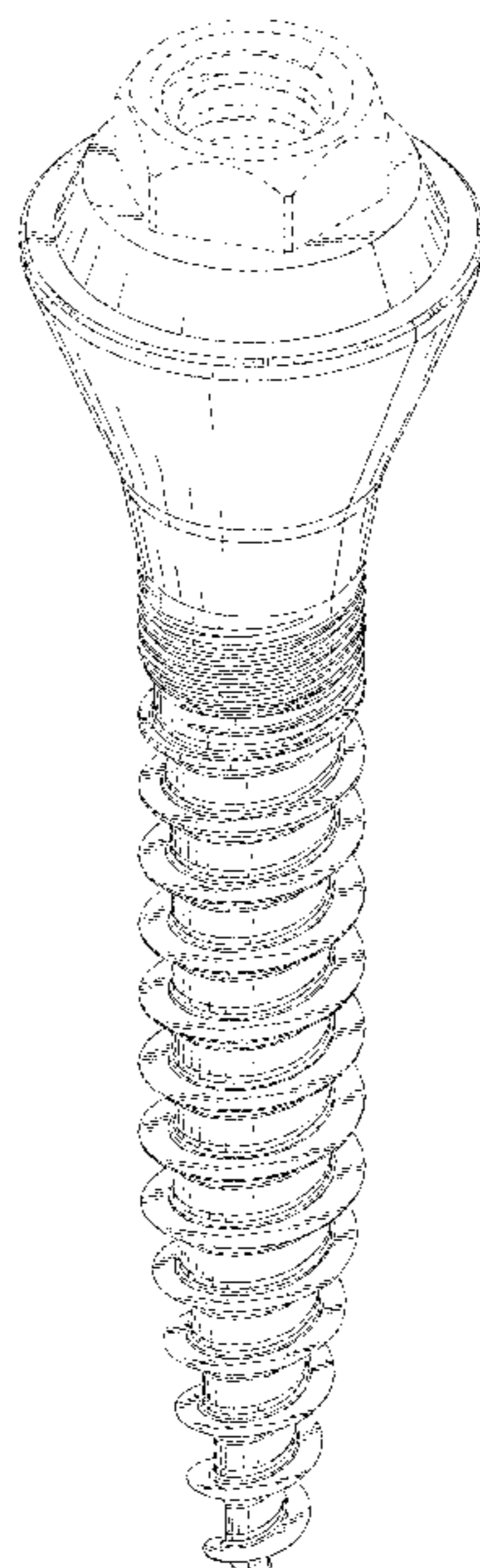
FIG. 1 is a top-front-left perspective view of a dental implant showing my new design;
FIG. 2 is a bottom-rear-right perspective view thereof;
FIG. 3 is a front elevational view thereof;
FIG. 4 is a rear elevational view thereof;
FIG. 5 is a left-side elevational view thereof;
FIG. 6 is a right-side elevational view thereof;
FIG. 7 is a top plan view thereof;
FIG. 8 is a bottom plan view thereof; and,
FIG. 9 is a left-side perspective view of a second embodiment of a dental implant. The break lines indicate that any portion of the article beyond what is shown forms no part of the claimed design, that being the only difference from the embodiment shown in FIGS. 1 through 8.
The broken lines showing a hexagonal head screw are included for the purpose of illustrating environmental structure and forms no part of the claimed design.

(56) **References Cited**

U.S. PATENT DOCUMENTS

D411,009 S * 6/1999 Asfora D24/155
6,517,542 B1 * 2/2003 Papay A61F 2/0811
606/232
D748,263 S * 1/2016 Ishiwata D24/156
9,387,027 B2 * 7/2016 Yahav A61C 8/006
D783,821 S * 4/2017 Folsom D24/155
D816,469 S * 5/2018 Toomey D8/387
D816,841 S * 5/2018 Thome D24/155
10,251,688 B2 * 4/2019 Asfora A61B 17/864
D847,994 S * 5/2019 Asfora D24/155
D854,689 S * 7/2019 Alladu D24/155
10,631,905 B2 * 4/2020 Asfora A61B 17/8625
D904,615 S * 12/2020 Asfora D24/155
D921,479 S * 6/2021 Smith D8/387

1 Claim, 9 Drawing Sheets



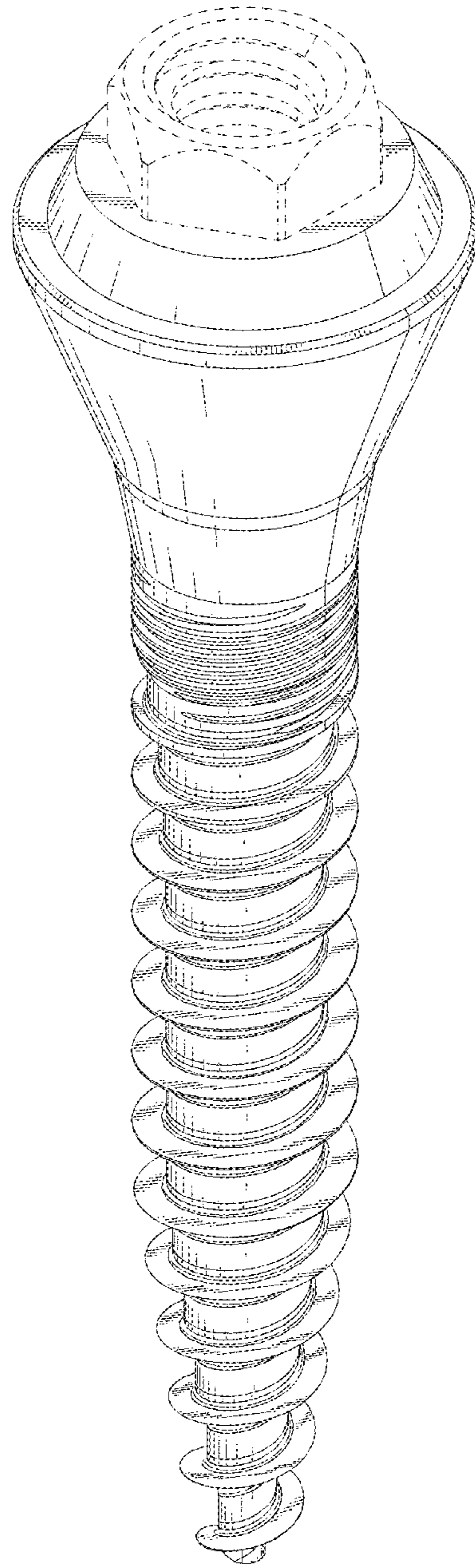


FIG. 1

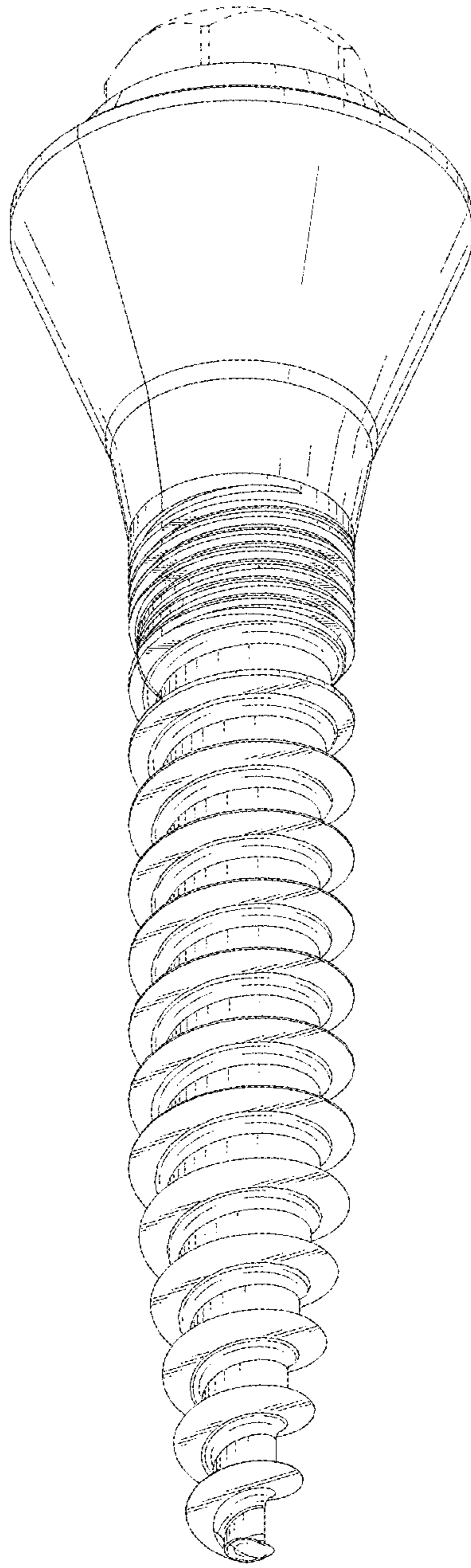


FIG. 2

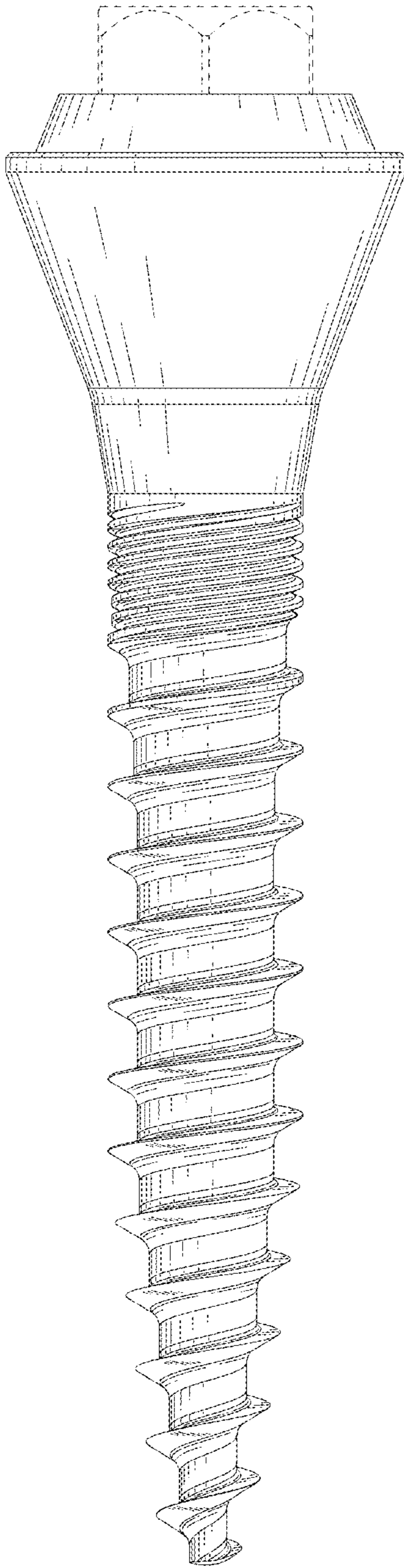


FIG. 3

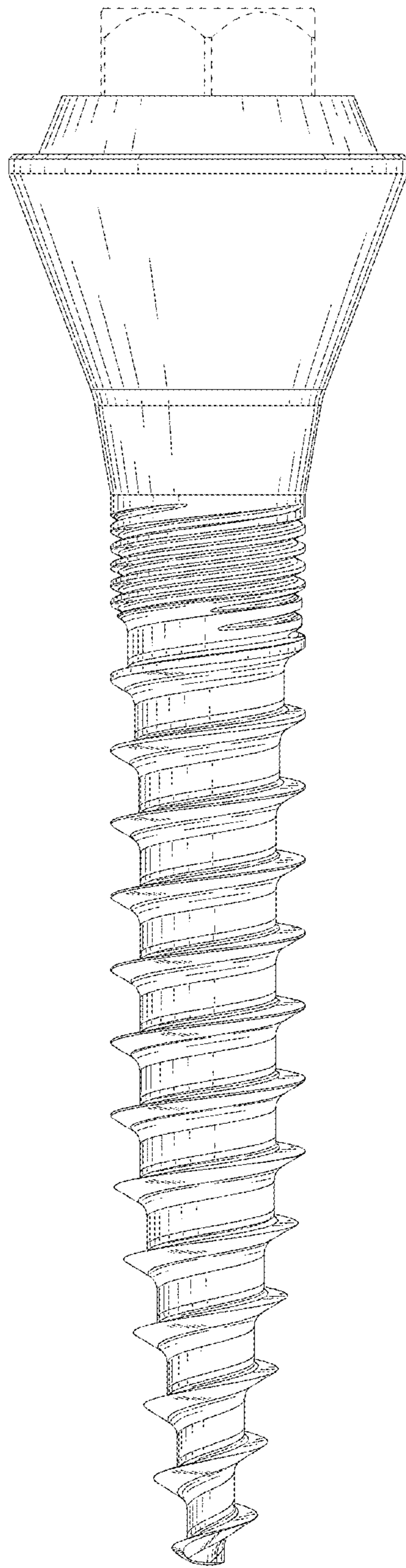


FIG. 4

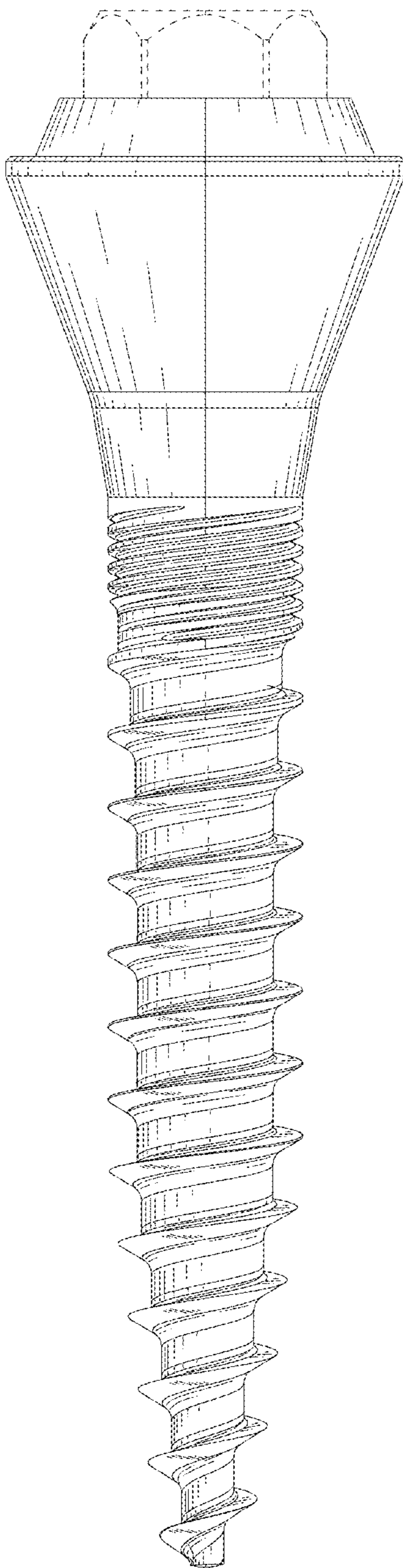


FIG. 5

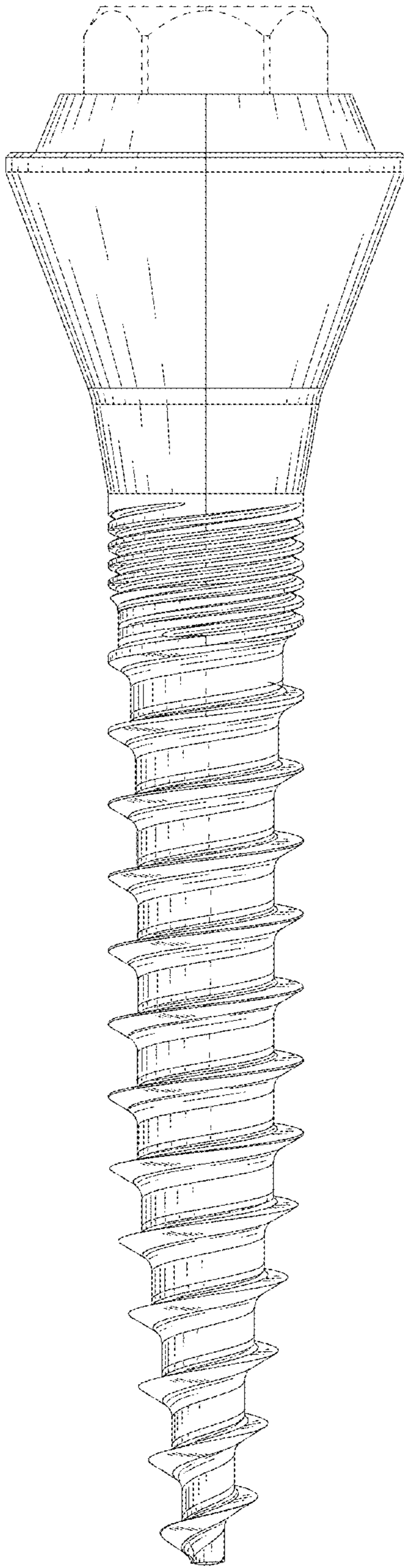


FIG. 6

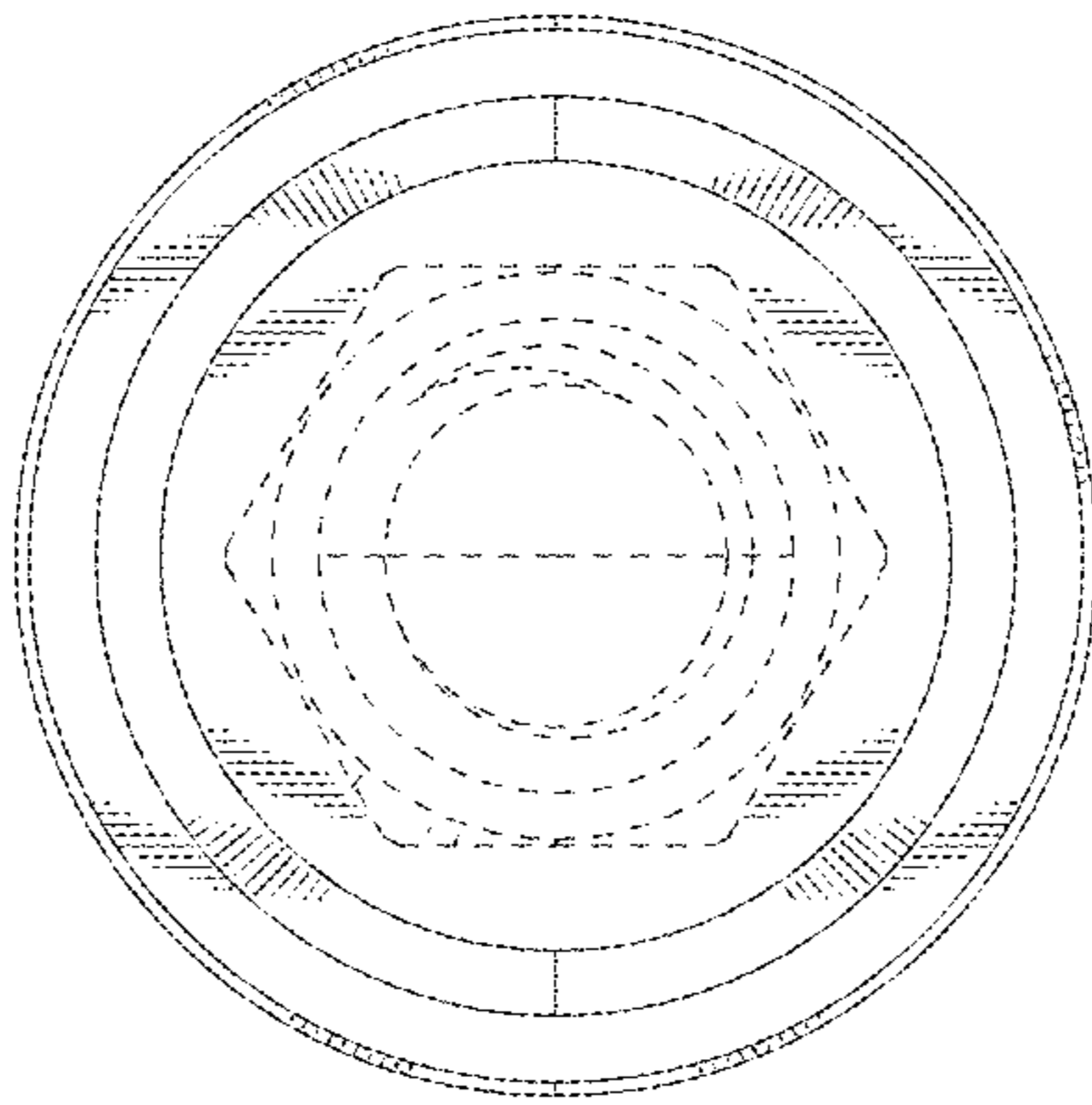


FIG. 7

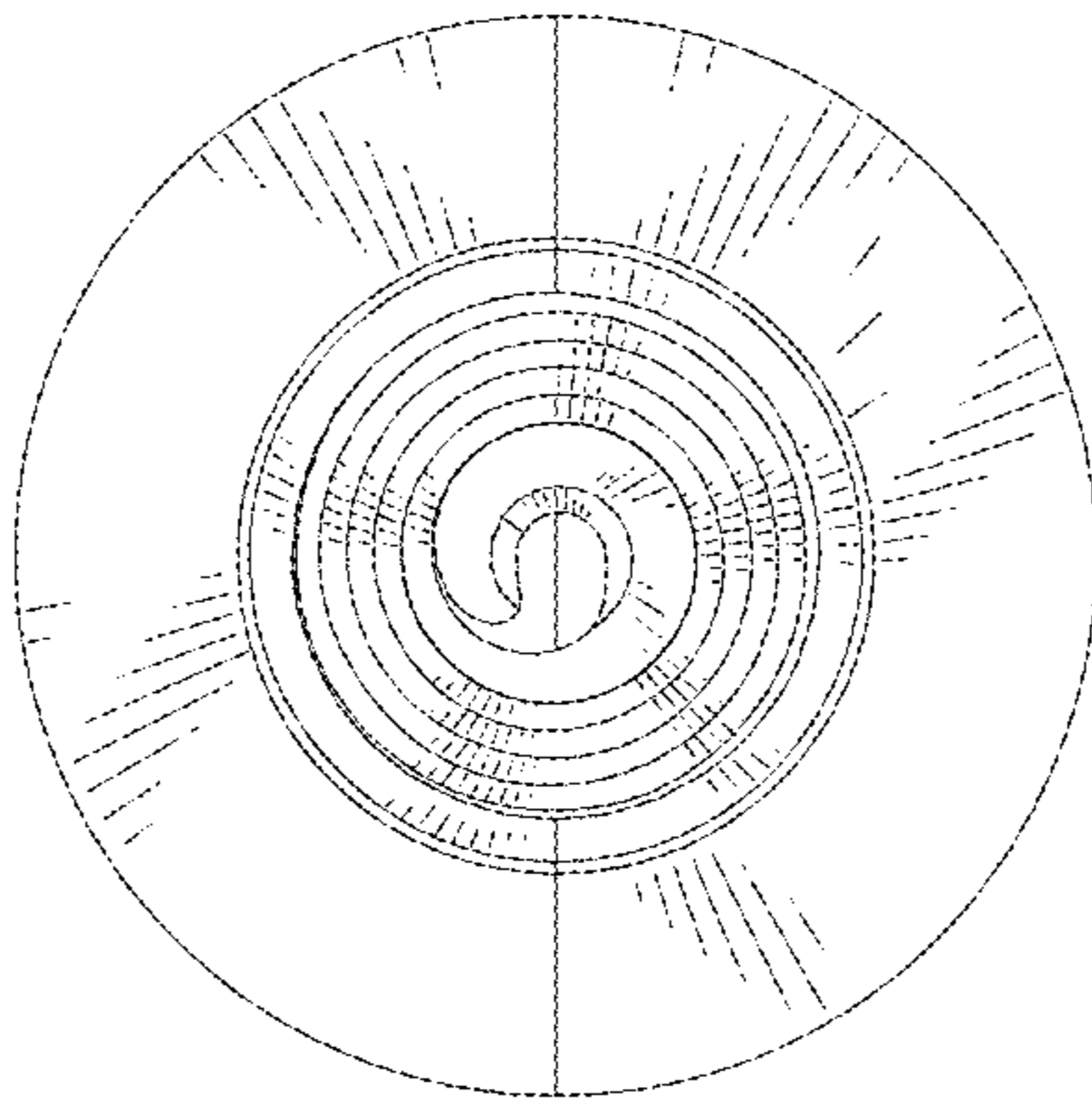


FIG. 8

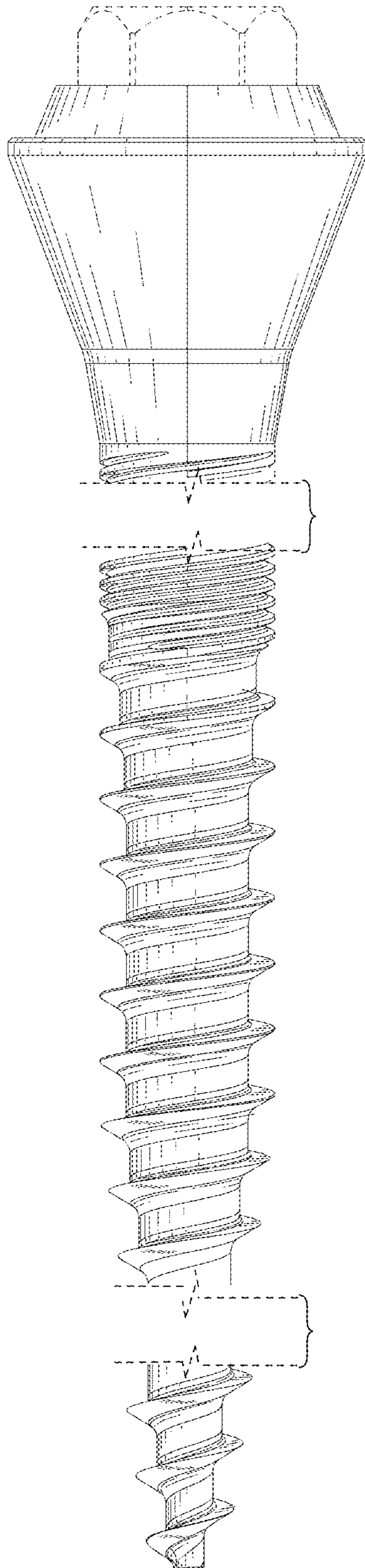


FIG. 9