



US0D1032817S

(12) **United States Design Patent** (10) **Patent No.: US D1,032,817 S**
Bailey et al. (45) **Date of Patent: ** Jun. 25, 2024**

(54) **APPARATUS FOR RELEASING A GASEOUS CLEANING AGENT**

(71) Applicant: **NUVINAIR, LLC**, Plano, TX (US)

(72) Inventors: **Kyle Bailey**, Plano, TX (US); **Jason Bailey**, Plano, TX (US)

(73) Assignee: **NUVINAIR, LLC**, Plano, TX (US)

(**) Term: **15 Years**

(21) Appl. No.: **29/886,035**

(22) Filed: **Mar. 3, 2023**

Related U.S. Application Data

(60) Continuation of application No. 17/989,454, filed on Nov. 17, 2022, which is a continuation of application No. 16/835,851, filed on Mar. 31, 2020, now Pat. No. 11,535,205, which is a continuation-in-part of application No. 15/895,510, filed on Feb. 13, 2018, now Pat. No. 11,420,599, which is a continuation of application No. 15/253,315, filed on Aug. 31, 2016, now Pat. No. 9,925,959, which is a division of application No. 15/063,931, filed on Mar. 8, 2016, now Pat. No. 9,446,742.

(51) **LOC (14) Cl.** **23-04**

(52) **U.S. Cl.**
USPC **D23/355**
CPC **B60S 3/008** (2013.01); **A61L 2/22** (2013.01); **A61L 9/14** (2013.01); **B08B 3/02** (2013.01); **B08B 3/04** (2013.01); **B08B 9/00** (2013.01)

(58) **Field of Classification Search**
USPC D23/355-366, 352, 369, 332, 333, 335, D23/336, 342, 351
CPC .. A61L 9/16; A61L 9/22; B01D 47/00; B01D 47/027; B01D 2221/02; B01D 2259/4508; B03C 3/155; B03C 3/368; F24F 3/16; F24F 13/20; F24F 13/28

See application file for complete search history.

(56) **References Cited**

U.S. PATENT DOCUMENTS

3,420,509 A 1/1969 Katzman et al.
D262,821 S * 1/1982 Poore D23/369
(Continued)

FOREIGN PATENT DOCUMENTS

CN 1582661 A 2/2005
CN 101495190 A 7/2009
(Continued)

OTHER PUBLICATIONS

“CLo2 Efficiency System Demo 8 2015” YouTube Aug. 19, 2015 by ACES Environmental Svcs, LLC.

(Continued)

Primary Examiner — David G Muller

(74) *Attorney, Agent, or Firm* — Stephen Y. Liu; J. Miguel Hernandez; Carstens, Allen & Gourley, LLP

(57) **CLAIM**

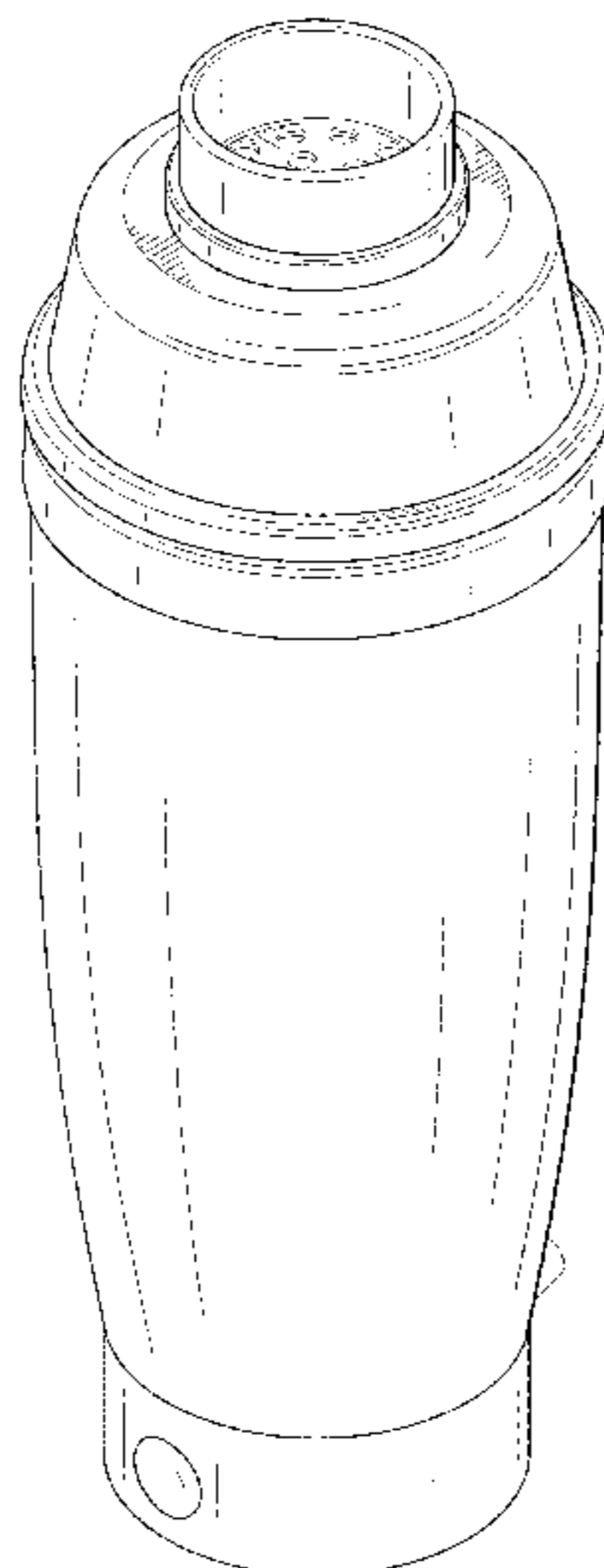
The ornamental design for an apparatus for releasing a gaseous cleaning agent, as shown and described.

DESCRIPTION

FIG. 1 is a front perspective view of an apparatus for releasing a gaseous cleaning agent;
FIG. 2 is a front elevation view thereof;
FIG. 3 is a rear elevation view thereof;
FIG. 4 is a right side elevation view thereof;
FIG. 5 is a left side elevation view thereof;
FIG. 6 is a top plan view thereof;
FIG. 7 is a bottom plan view thereof;
FIG. 8 is a rear perspective view thereof; and,
FIG. 9 is an exploded view thereof.

The portions of the Figures shown in broken lines in the view are for illustrative purposes only and form no part of the claimed design.

1 Claim, 8 Drawing Sheets



(56)

References Cited

U.S. PATENT DOCUMENTS

4,482,365 A 11/1984 Roach
 5,549,854 A 8/1996 Hulthom et al.
 6,273,402 B1 8/2001 Cheng
 6,764,661 B1 7/2004 Girard
 D588,687 S * 3/2009 Drucker D23/366
 7,846,227 B2 12/2010 Gotoh et al.
 D635,403 S * 4/2011 Conway D23/355
 D648,016 S * 11/2011 Choi D23/364
 8,221,678 B2 7/2012 Hedman
 D711,523 S * 8/2014 Hsiao D23/366
 D711,524 S * 8/2014 Hsiao D23/366
 9,433,695 B2 9/2016 Aamodt et al.
 9,446,742 B1 9/2016 Bailey et al.
 D795,407 S * 8/2017 Skoda D23/362
 9,925,959 B2 3/2018 Bailey et al.
 D952,824 S * 5/2022 Yang D23/364
 D997,327 S * 8/2023 Xing D23/356
 2004/0009094 A1 1/2004 Adiga et al.
 2005/0031486 A1 2/2005 Mole et al.
 2005/0074359 A1 4/2005 Krieger et al.
 2006/0067854 A1 3/2006 Andino et al.
 2008/0283626 A1 11/2008 Aldana et al.
 2008/0292507 A1 11/2008 Dee et al.
 2009/0148342 A1 6/2009 Bromberg et al.
 2012/0174792 A1 7/2012 Chang

2013/0028787 A1 1/2013 Takeuchi et al.
 2013/0079733 A1 3/2013 Burt et al.
 2013/0136685 A1 5/2013 Baselli et al.
 2013/0189153 A1 7/2013 Carson et al.
 2014/0115765 A1 5/2014 Carpenter et al.
 2014/0271355 A1 9/2014 Mason
 2023/0398250 A1 12/2023 Bailey et al.

FOREIGN PATENT DOCUMENTS

CN 101537203 A 9/2009
 CN 104321137 A 1/2015
 JP 2003040712 A 2/2003
 JP 2009051018 A 3/2009
 JP 2009234887 A 10/2009
 KR 101457648 B1 10/2014
 WO 2006076033 A1 7/2006
 WO 2009114962 A1 9/2009
 WO 2017091354 A2 6/2017

OTHER PUBLICATIONS

“How to Use a Biocide Systems Car Deoderizer” YouTube Jun. 16, 2014 by StreetsideAuto.com.
 “Odor Removal & Ozone Generator Usage” YouTube Mar. 12, 2009 by Detail King.

* cited by examiner

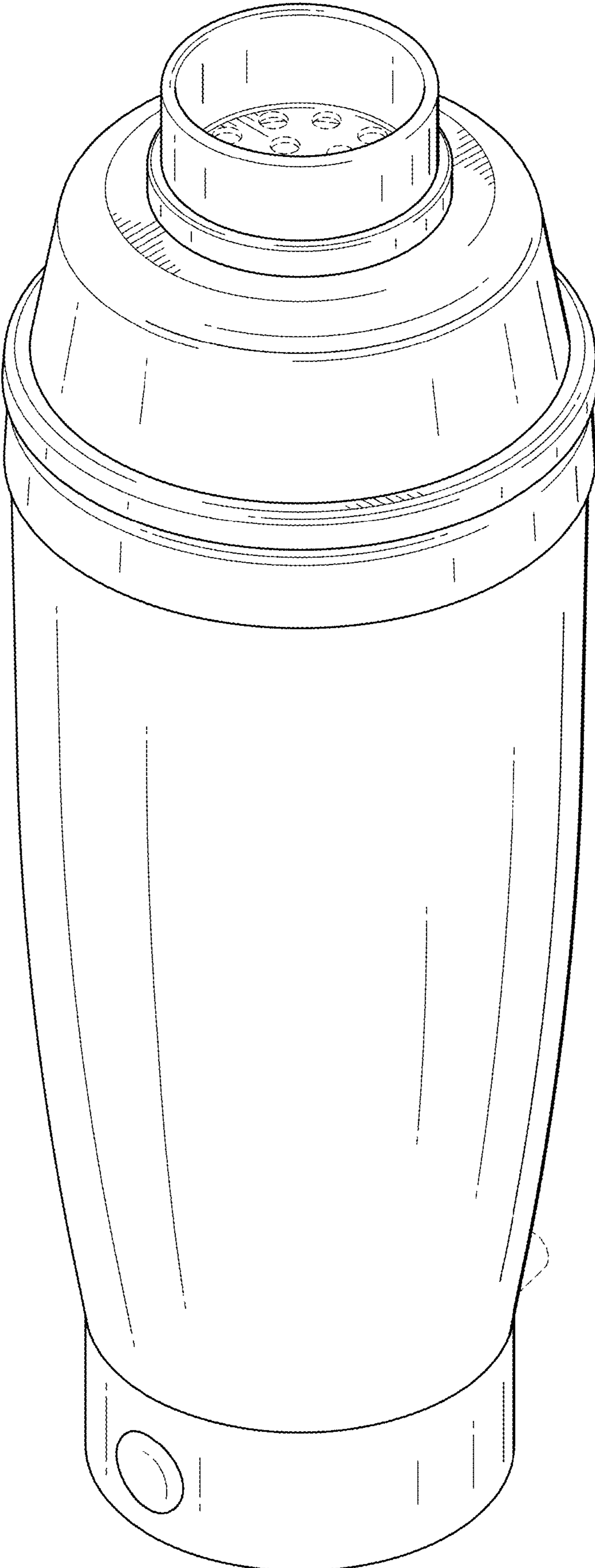


FIG. 1

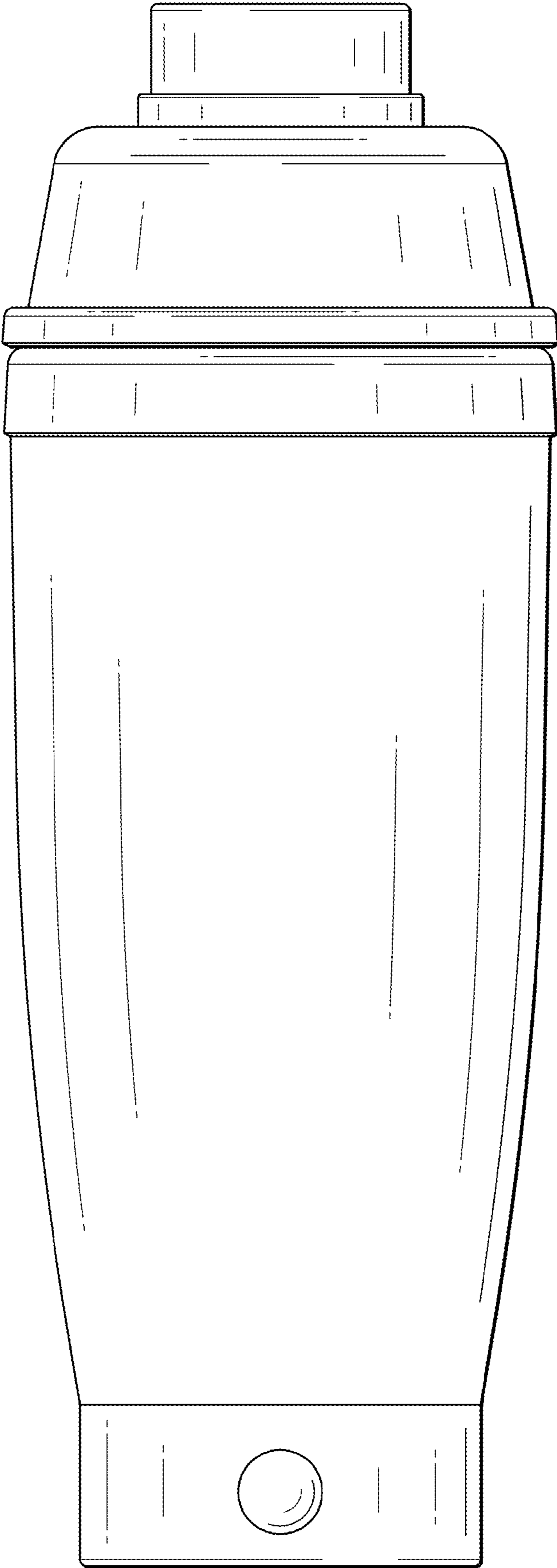


FIG. 2

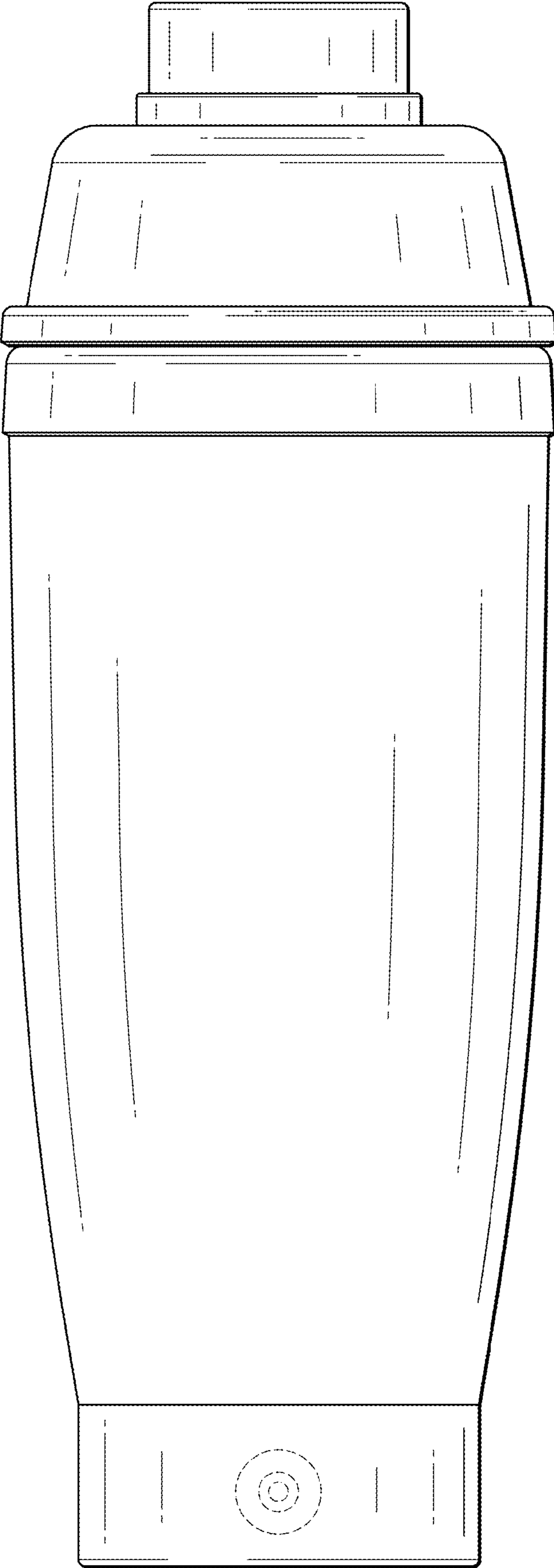


FIG. 3

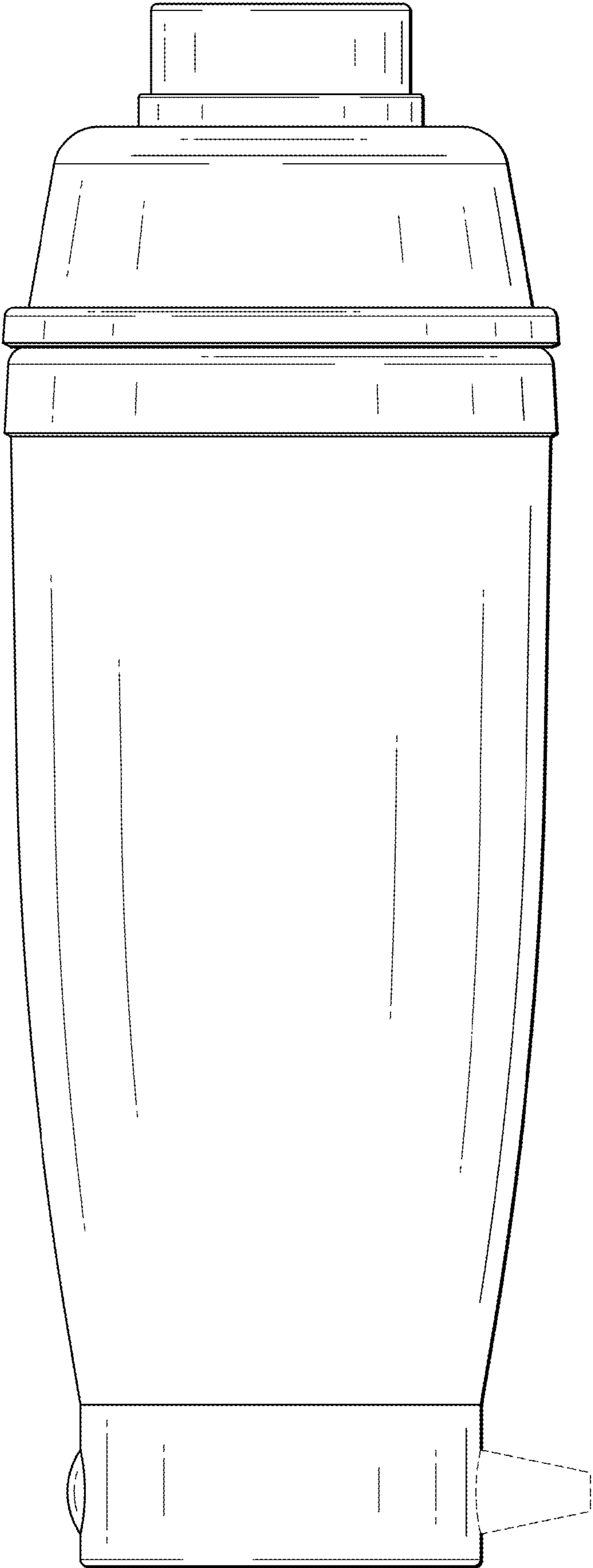


FIG. 4

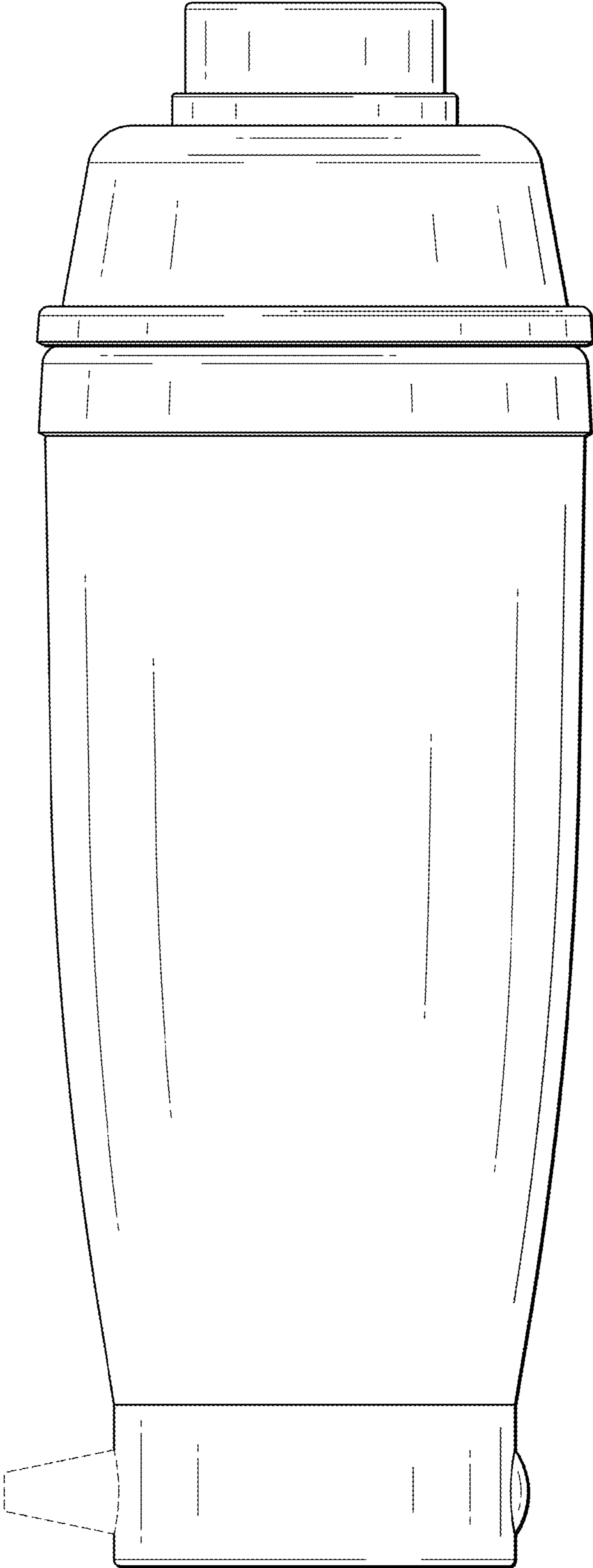


FIG. 5

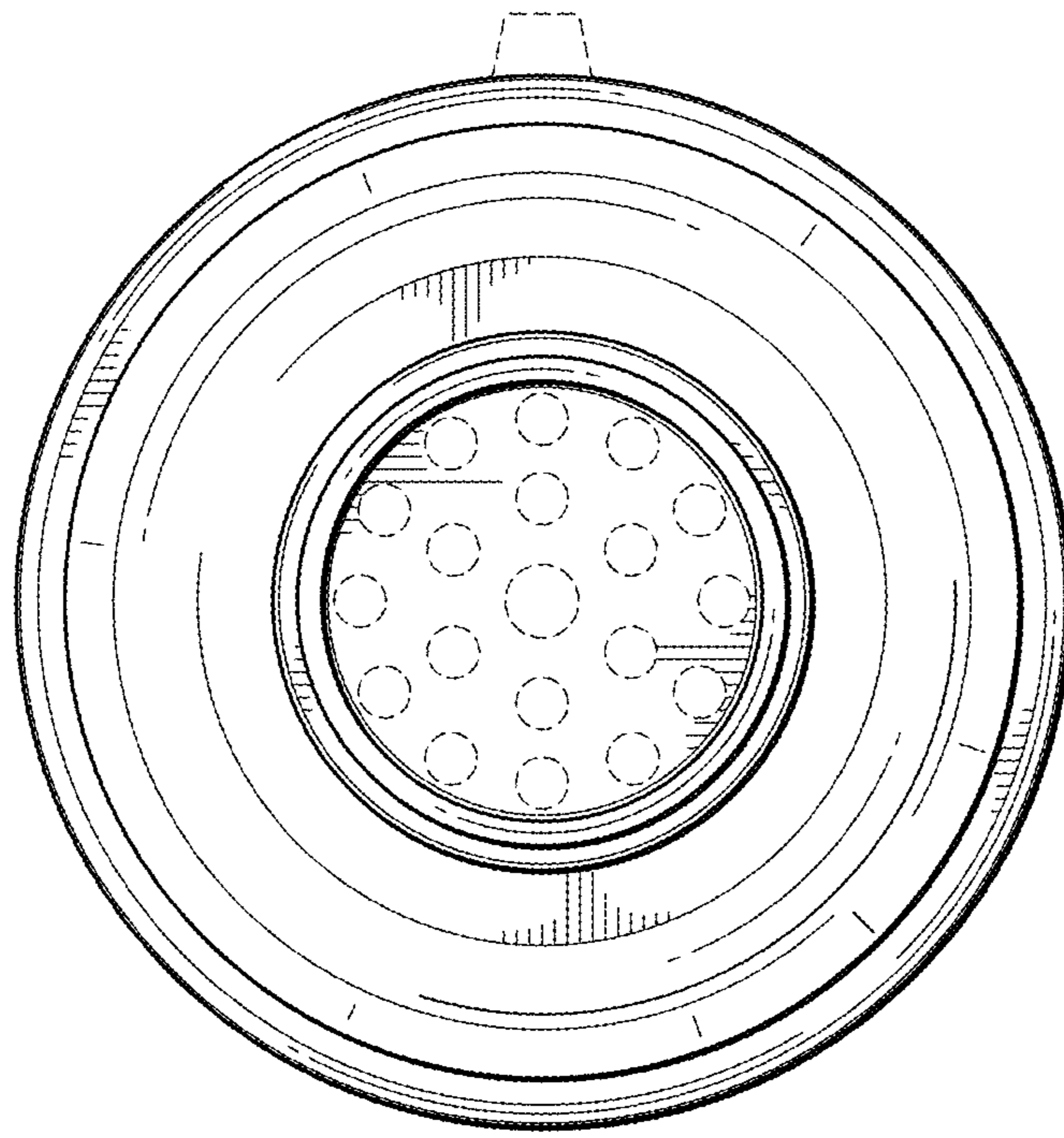


FIG. 6

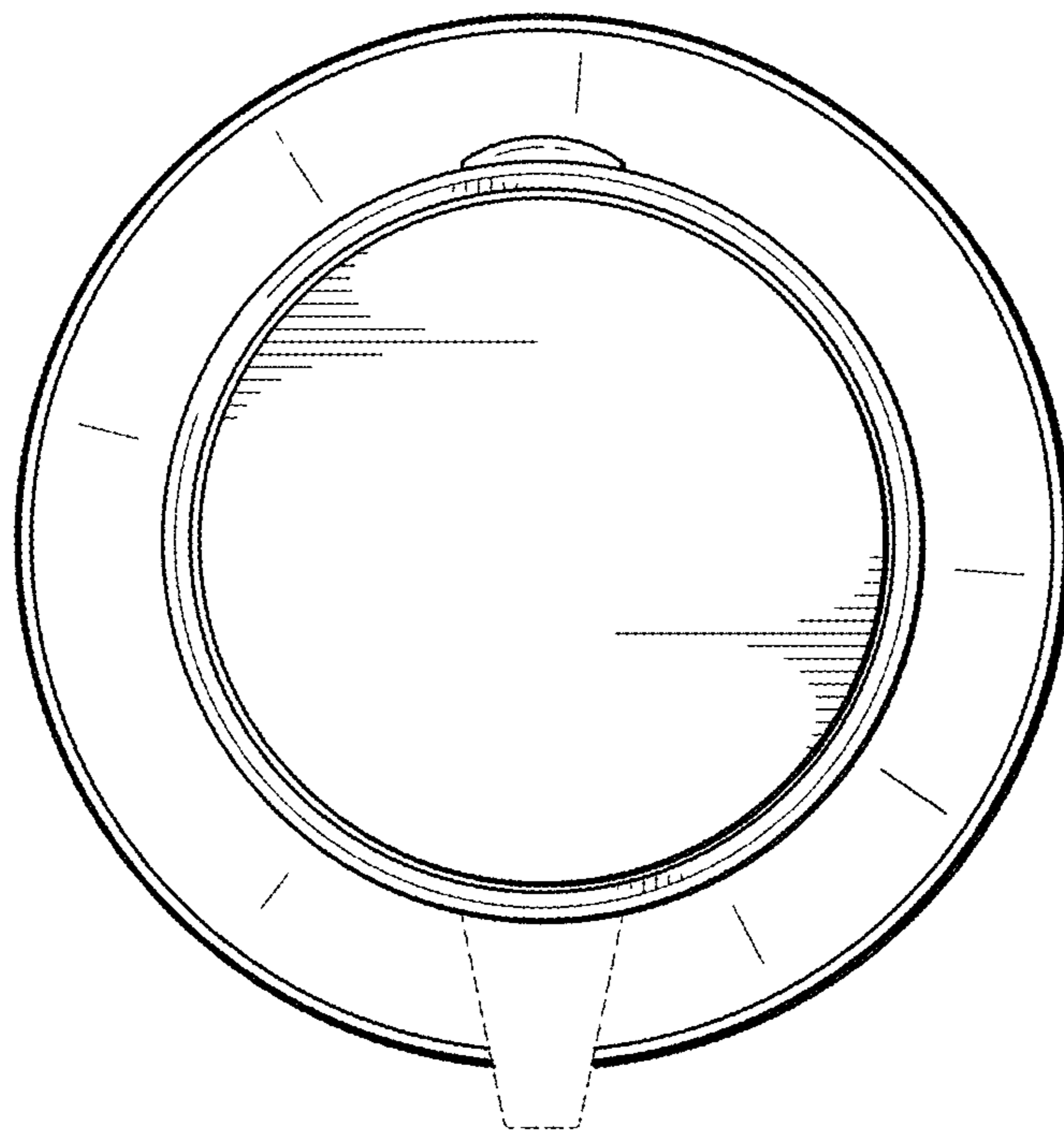


FIG. 7

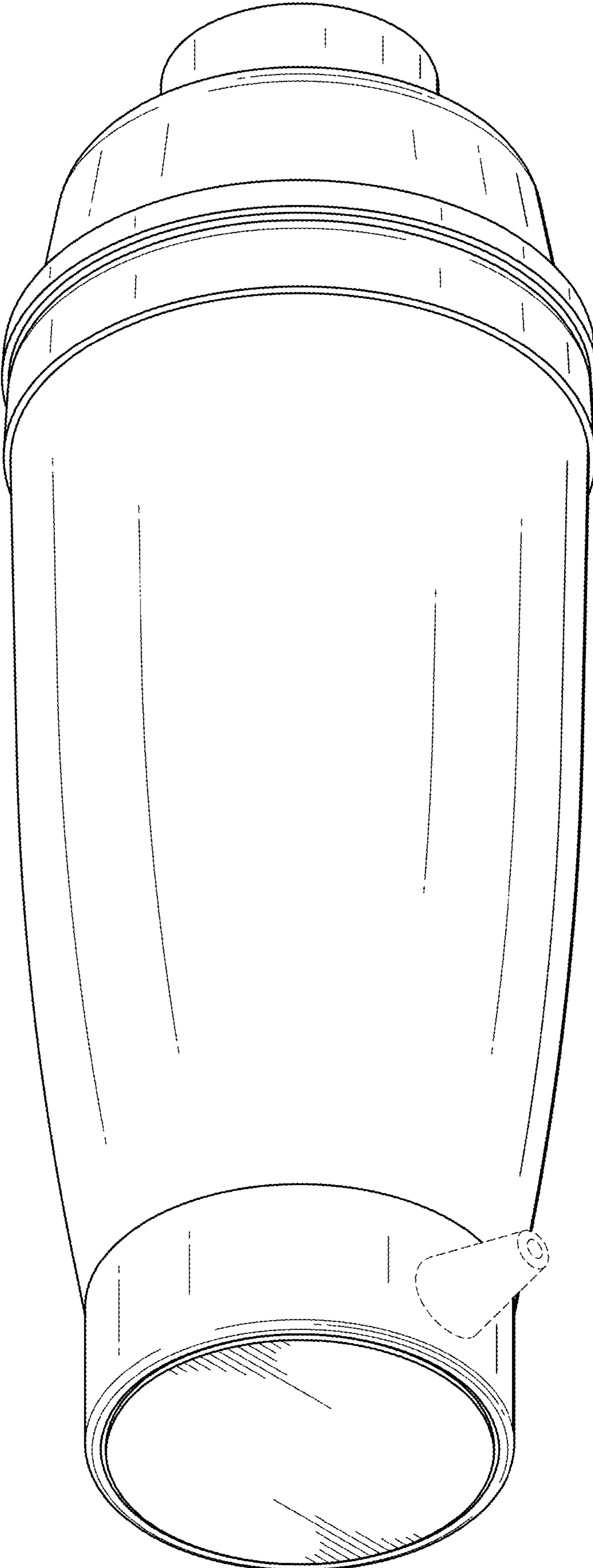


FIG. 8

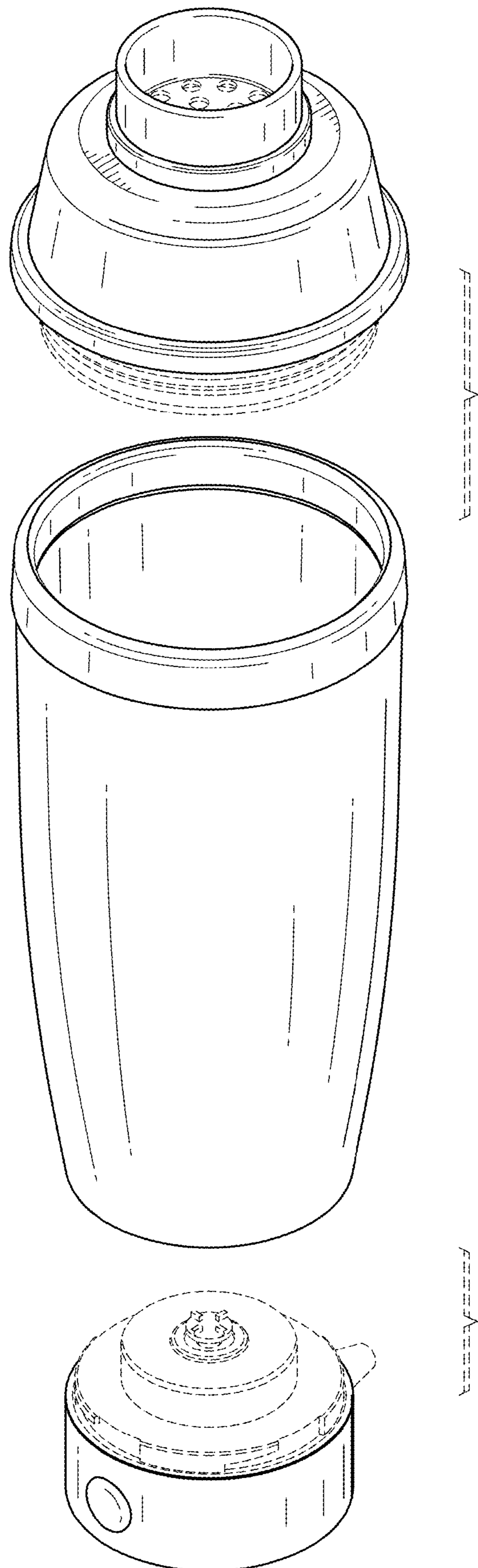


FIG. 9