



US0D1032750S

(12) **United States Design Patent** (10) **Patent No.: US D1,032,750 S**  
**Maschin et al.** (45) **Date of Patent: \*\* Jun. 25, 2024**

(54) **TOY PROJECTILE LAUNCHER APPARATUS**

D557,355 S 12/2007 Higuchi et al.  
D588,214 S 3/2009 Stadlbauer  
7,603,998 B2 10/2009 Finstad  
D635,620 S 4/2011 Nadel

(71) Applicant: **Hasbro, Inc.**, Pawtucket, RI (US)

(Continued)

(72) Inventors: **Robert C Maschin**, Johnston, RI (US);  
**Nicholas Alexander Tino**, Seekonk,  
MA (US)

**FOREIGN PATENT DOCUMENTS**

(73) Assignee: **Hasbro, Inc.**, Pawtucket, RI (US)

CN 308055028 \* 5/2023  
GB 6147623 \* 7/2021  
JP D1722560 \* 8/2022

(\*\*) Term: **15 Years**

**OTHER PUBLICATIONS**

(21) Appl. No.: **29/843,567**

Amazon Website, Nerf Spring Action Blaster, Earliest Available Date: Dec. 11, 2022 [Website Visited Oct. 27, 2023] Available on the Internet <https://www.amazon.com/dp/B0BCHCBF9Z/> (Year: 2022).\*

(22) Filed: **Jun. 22, 2022**

(Continued)

(51) **LOC (14) Cl.** ..... **21-01**

(52) **U.S. Cl.**

USPC ..... **D21/574**; D21/573; D21/570; D21/567

(58) **Field of Classification Search**

USPC ..... D21/574, 573, 567, 570, 483, 398, 575,  
D21/572; D22/100, 104; D14/418

CPC ..... F41C 3/06; A63H 5/04; F41B 9/0062

See application file for complete search history.

*Primary Examiner* — S. Bryan Reinholdt, Jr.

*Assistant Examiner* — James T Tyree

(74) *Attorney, Agent, or Firm* — Perry Hoffman

(56) **References Cited**

(57) **CLAIM**

The ornamental design for a toy projectile launcher apparatus, as shown and described.

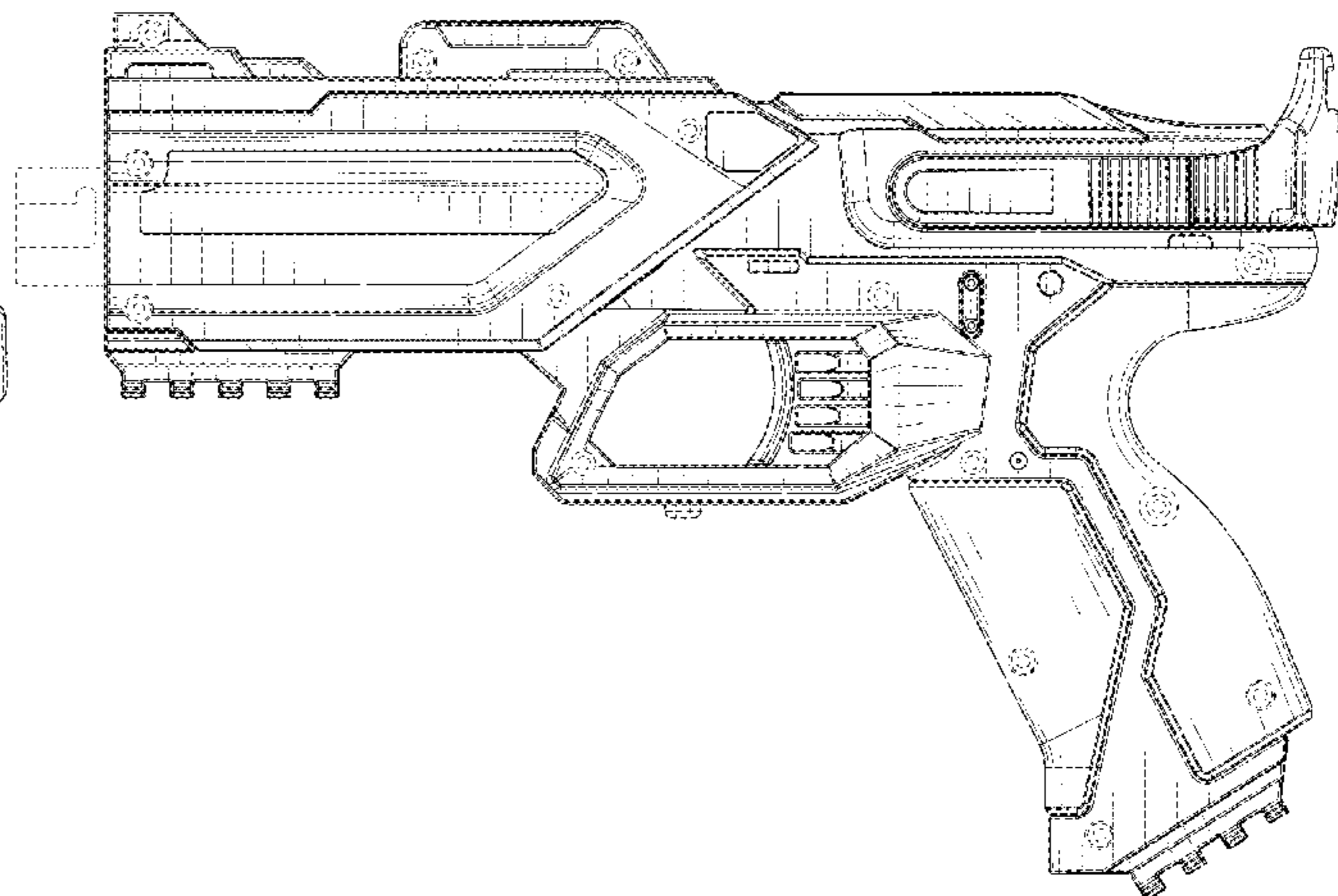
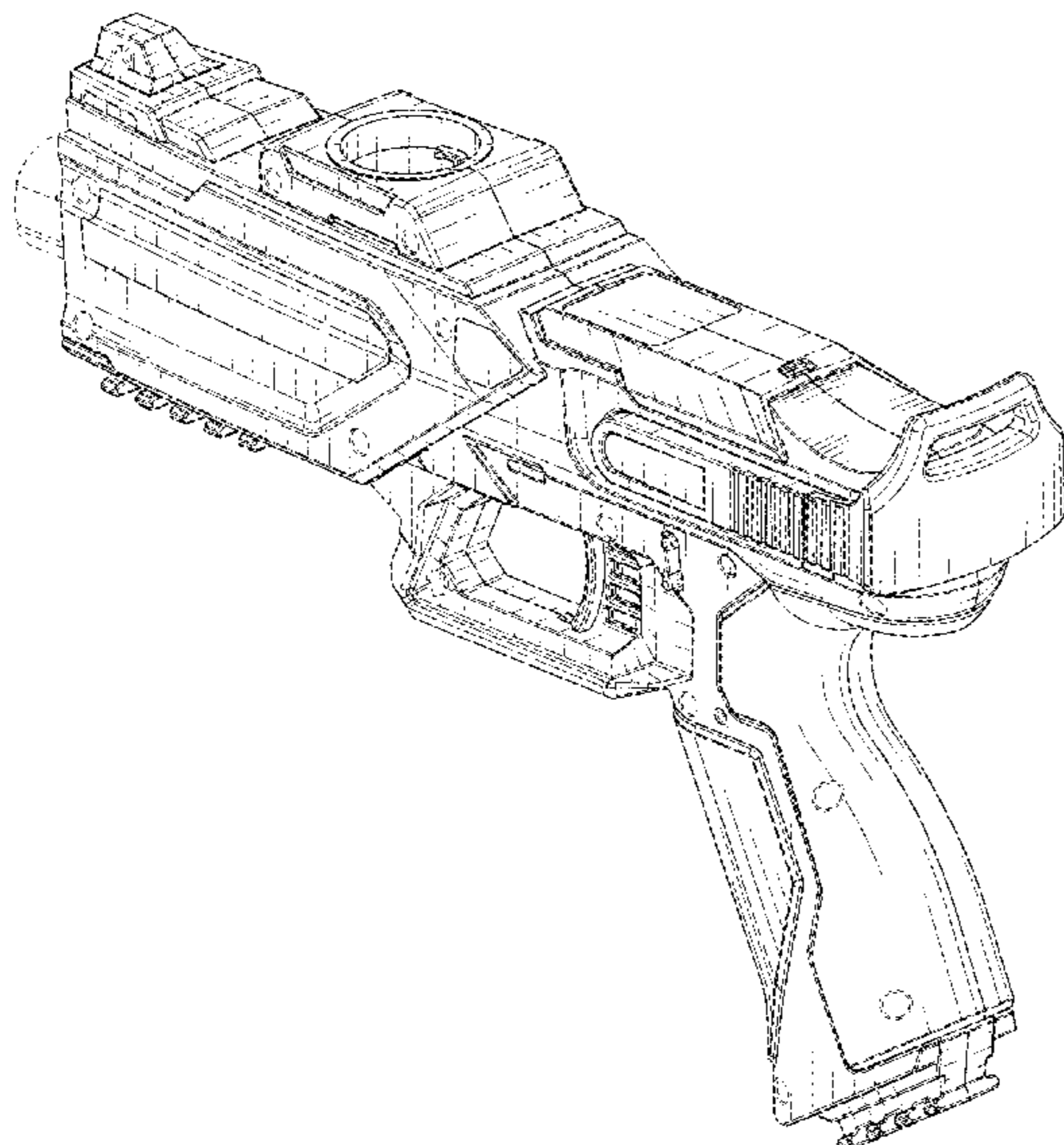
**U.S. PATENT DOCUMENTS**

**DESCRIPTION**

1,403,719 A	1/1922	Szepe
4,715,514 A	12/1987	Vidondo
4,796,893 A	1/1989	Choi
5,282,454 A	2/1994	Bell et al.
D354,997 S	1/1995	Arad et al.
5,611,321 A	3/1997	Hoeting et al.
5,984,788 A	11/1999	Lebensfeld et al.
6,261,180 B1	7/2001	Lebensfeld et al.
D449,354 S	10/2001	Hornsby et al.
6,302,796 B1	10/2001	Lebensfeld et al.
D454,166 S	3/2002	Hornsby et al.
D458,975 S	6/2002	Hornsby et al.
6,523,535 B2	2/2003	Rehlemper et al.
6,698,128 B2	3/2004	Kessler
D504,489 S	4/2005	Cerovic
D508,277 S	8/2005	Cerovic
7,163,009 B2	1/2007	Brown et al.

FIG. 1 is a front perspective view of the toy projectile launcher apparatus according to our present design; FIG. 2 is a left side elevational view thereof; FIG. 3 is a right side elevational view thereof; FIG. 4 is a front elevational view thereof; FIG. 5 is a rear elevational view thereof; FIG. 6 is a top plan view thereof; and, FIG. 7 is a bottom plan elevational view thereof. The broken lines shown and unshaded areas adjacent to them are included for the purpose of illustrating the unclaimed portions of the article and form no part of the claimed design.

**1 Claim, 5 Drawing Sheets**



(56)

References Cited

U.S. PATENT DOCUMENTS

8,082,909 B2 12/2011 Sopkinsly et al.  
 D660,920 S \* 5/2012 Johnson ..... D21/573  
 D660,925 S \* 5/2012 Jablonski ..... D21/573  
 D660,926 S \* 5/2012 Mastin ..... D21/573  
 D660,927 S \* 5/2012 Jablonski ..... D21/574  
 8,186,337 B2 5/2012 Nadel  
 D664,609 S 7/2012 Johnson  
 8,371,282 B2 2/2013 Meggs et al.  
 8,590,519 B2 11/2013 Barish  
 8,596,255 B2 12/2013 Meggs  
 8,820,305 B2 9/2014 Victor et al.  
 8,875,688 B2 11/2014 Nugent  
 8,955,503 B2 2/2015 Corsiglia et al.  
 D754,802 S \* 4/2016 Martelli ..... D21/574  
 9,958,230 B1 5/2018 Nugent et al.  
 D834,112 S 11/2018 Chu  
 D883,401 S \* 5/2020 Yang ..... D21/574  
 D903,789 S \* 12/2020 Zheng ..... D21/572  
 D943,684 S \* 2/2022 Zheng ..... D21/574

D983,893 S \* 4/2023 Guo ..... D21/573  
 D992,056 S \* 7/2023 Li ..... D21/573  
 2007/0069064 A1 3/2007 Mott  
 2011/0168149 A1 7/2011 Nadel  
 2013/0247891 A1 9/2013 Meggs et al.  
 2014/0076298 A1 3/2014 Meggs et al.  
 2021/0102769 A1 4/2021 DeRoche et al.  
 2023/0243617 A1 \* 8/2023 Wolfinbarger ..... F41B 9/0075  
 222/1

OTHER PUBLICATIONS

Hasbro Website, Nerf Pro Gelfire Legion, Earliest Comment Date: Feb. 16, 2023 [Website Visited Oct. 27, 2023] Available on the Internet <https://hasbropulse.com/products/nerf-pro-gelfire-legion> (Year: 2023).\*

Walmart Website, Nerf Pro Gelfire Legion Blaster, Earliest Comment Date: Jan. 21, 2023 [Website Visited Oct. 27, 2023] Available on the Internet <https://www.walmart.com/ip/1693109457> (Year: 2023).\*

\* cited by examiner

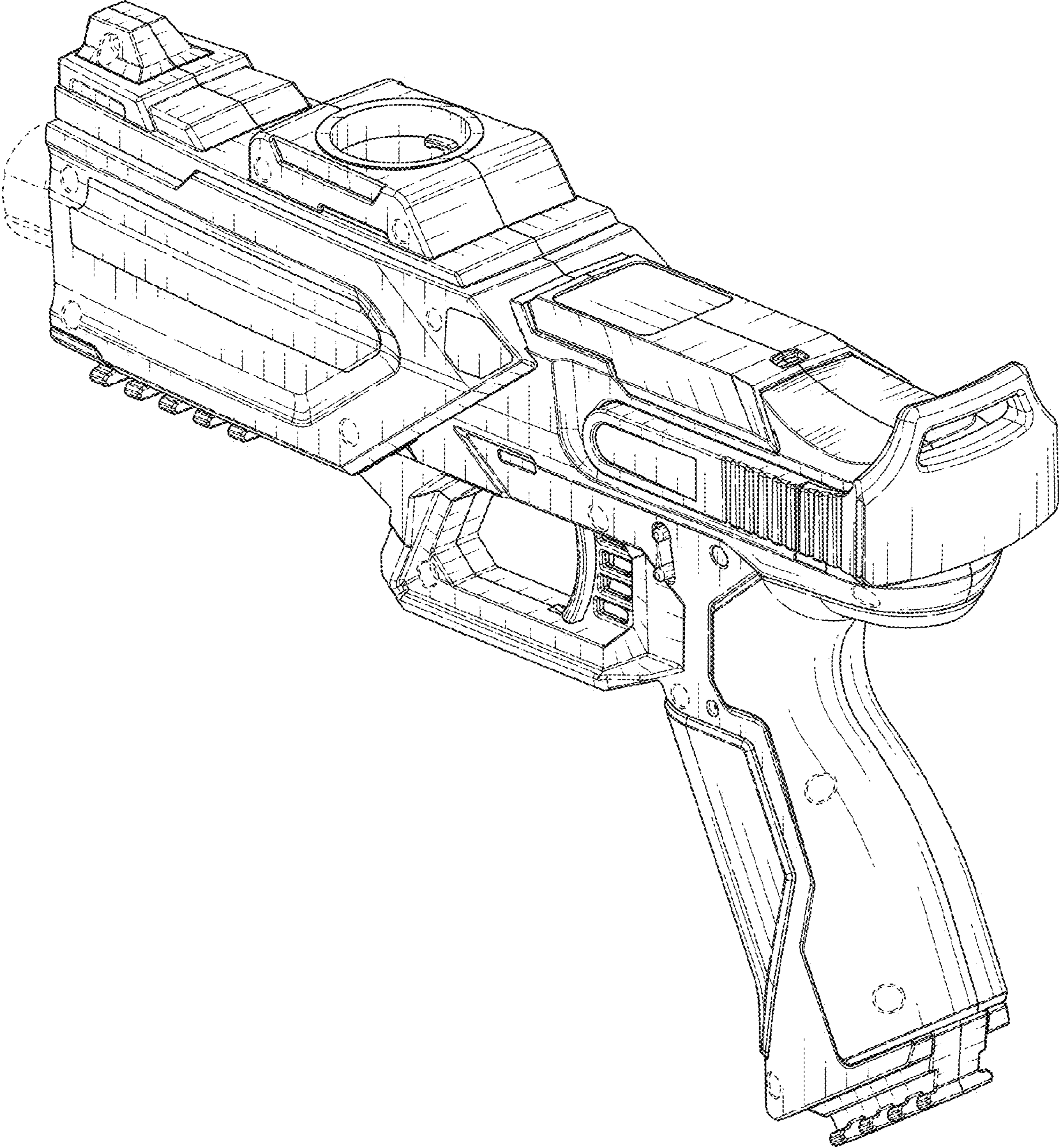


FIG. 1

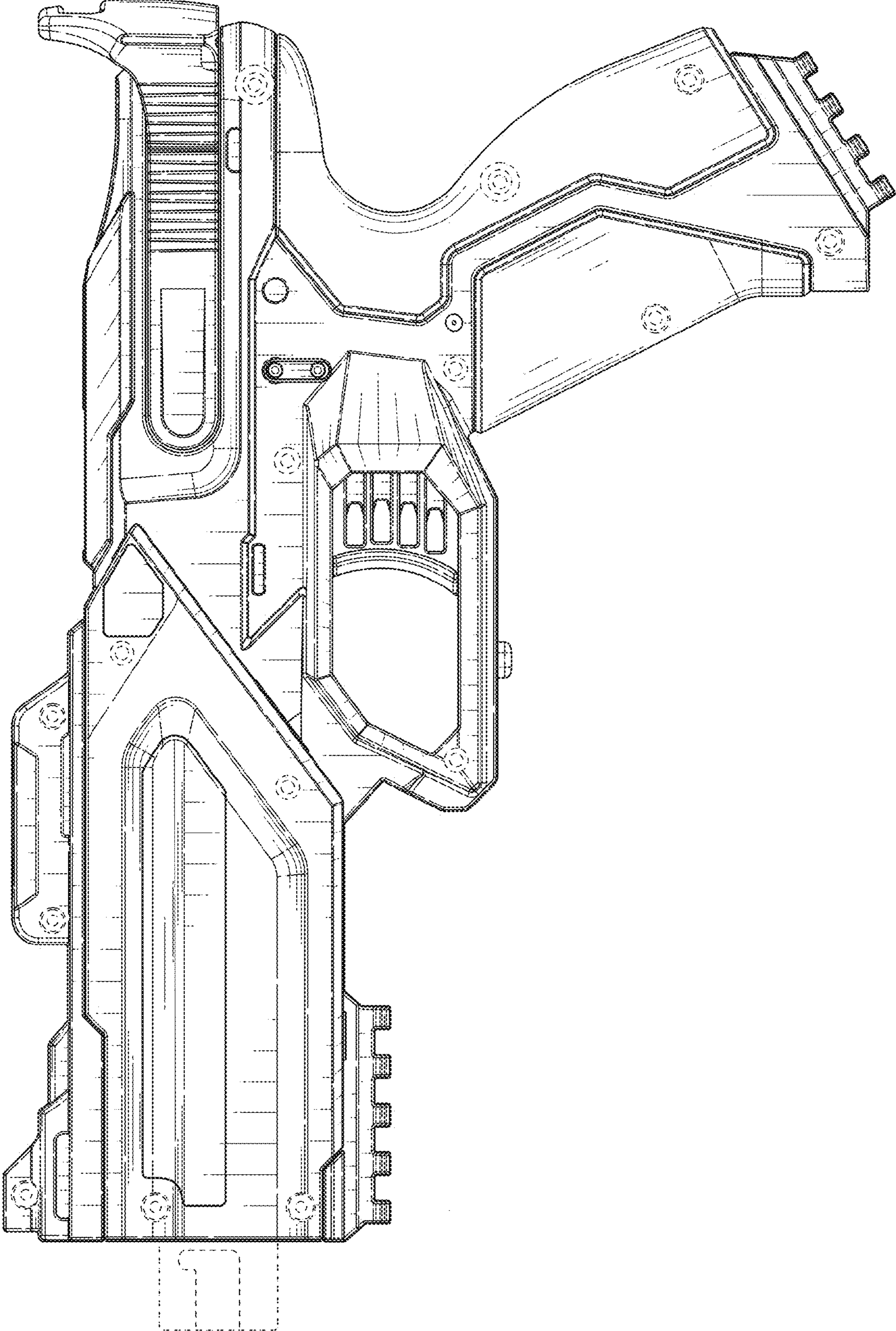


FIG. 2

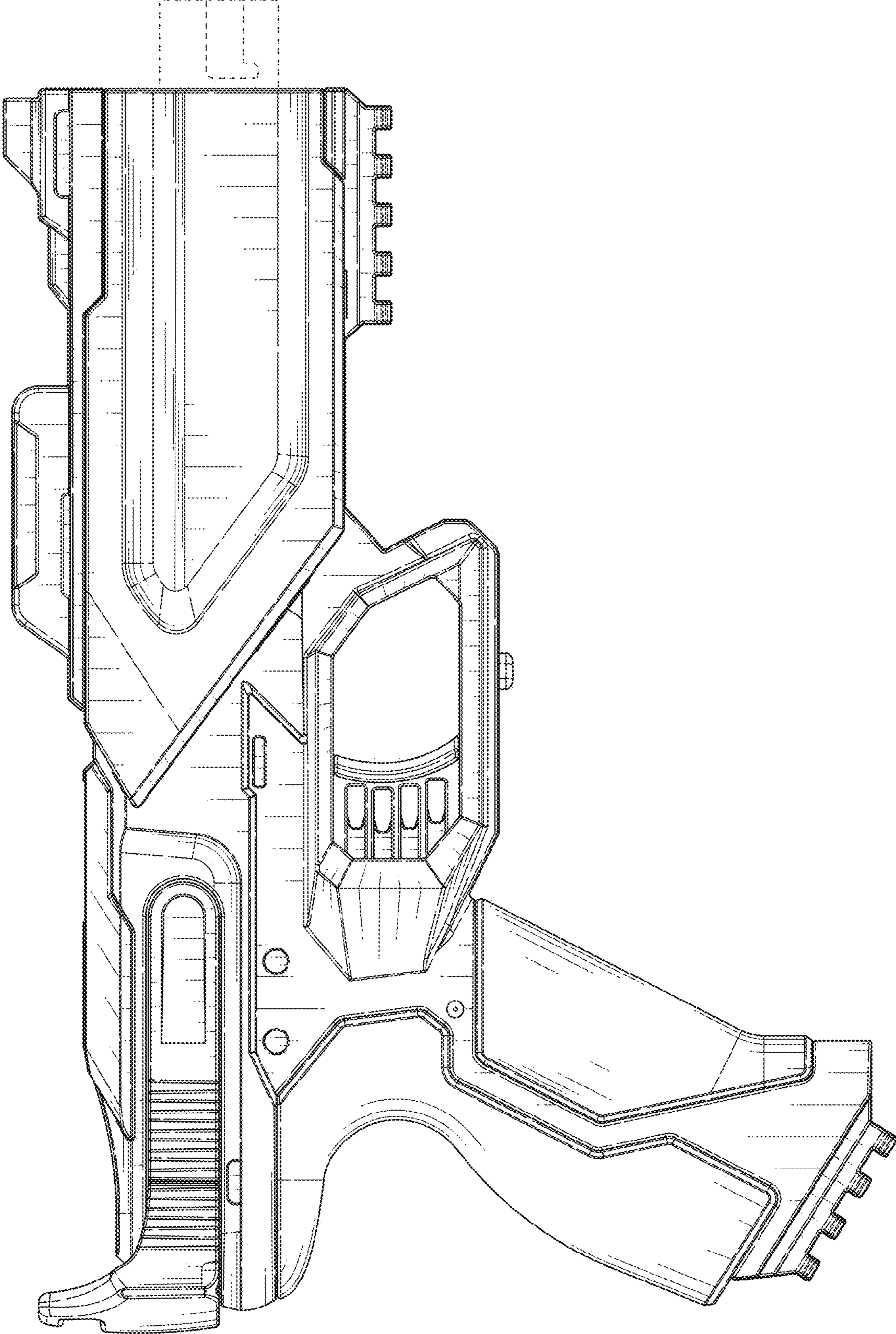


FIG. 3

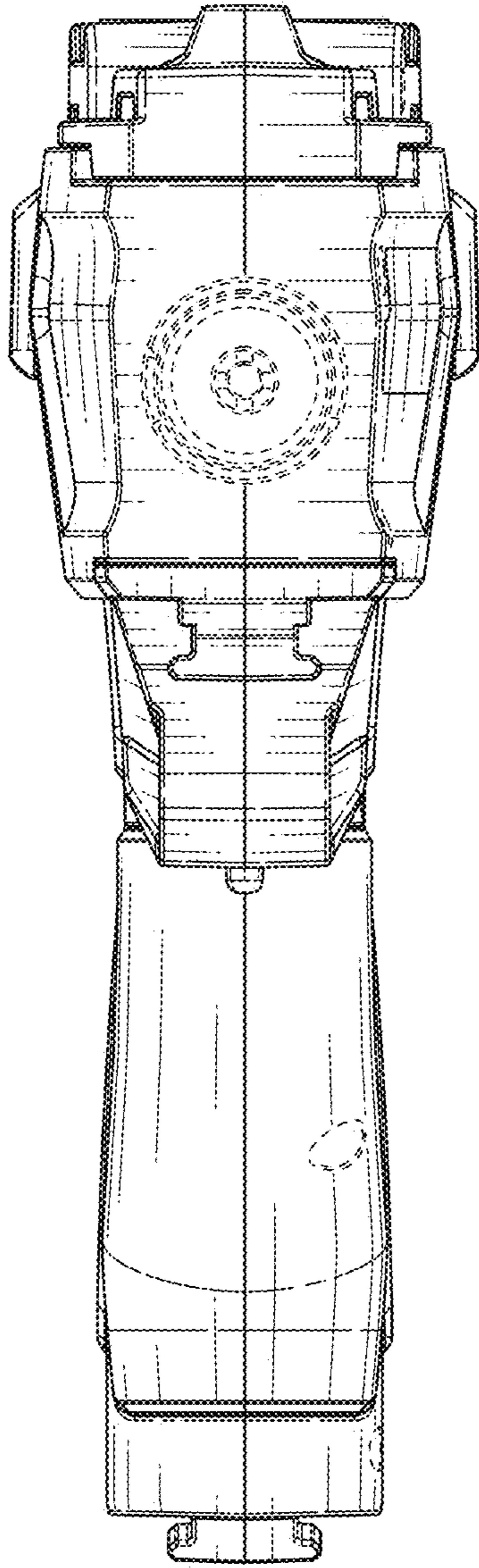


FIG. 4

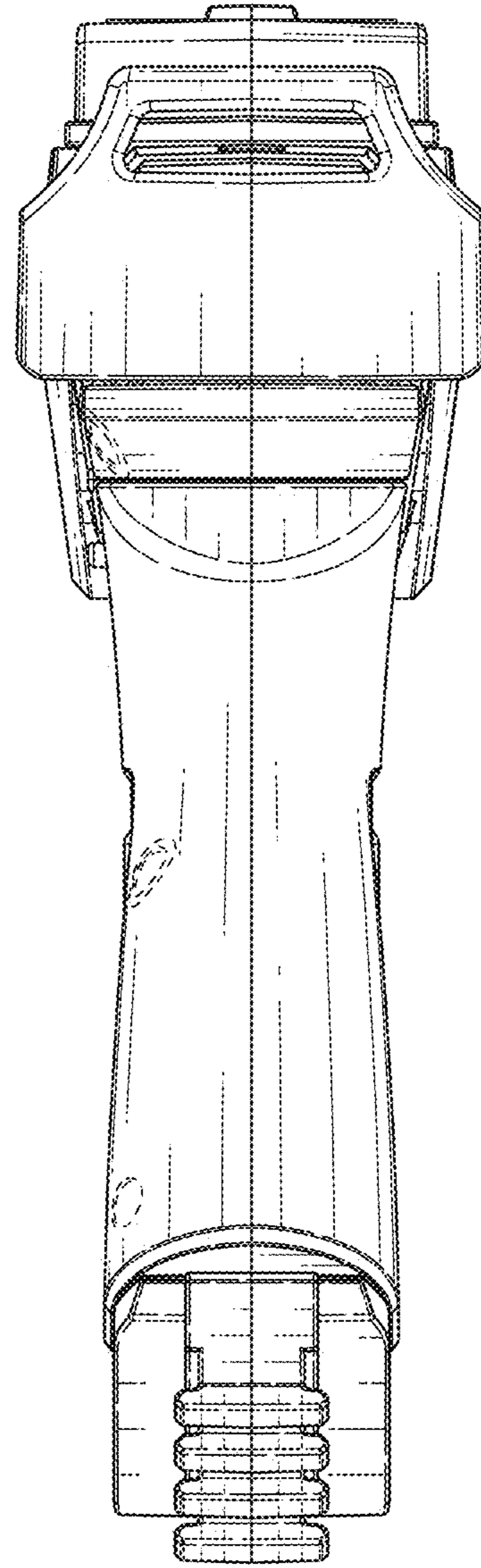


FIG. 5

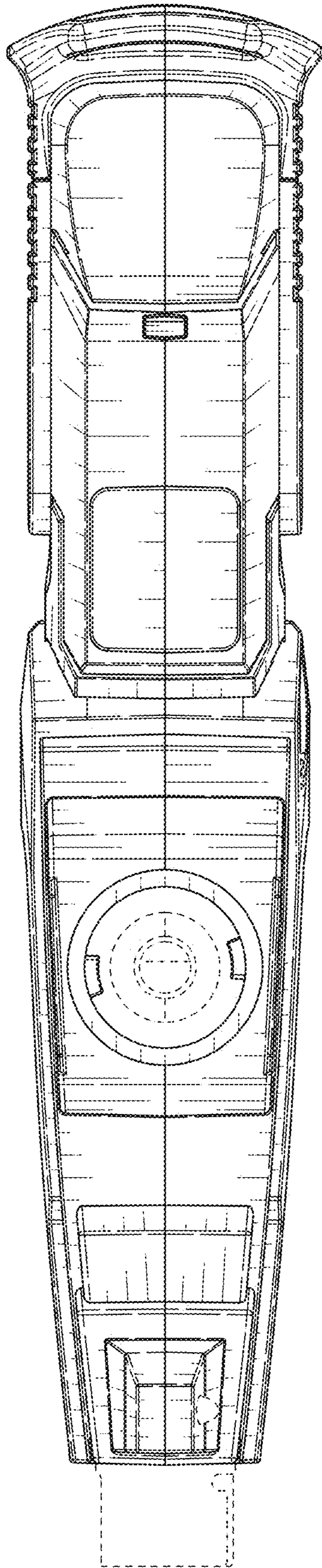


FIG. 6

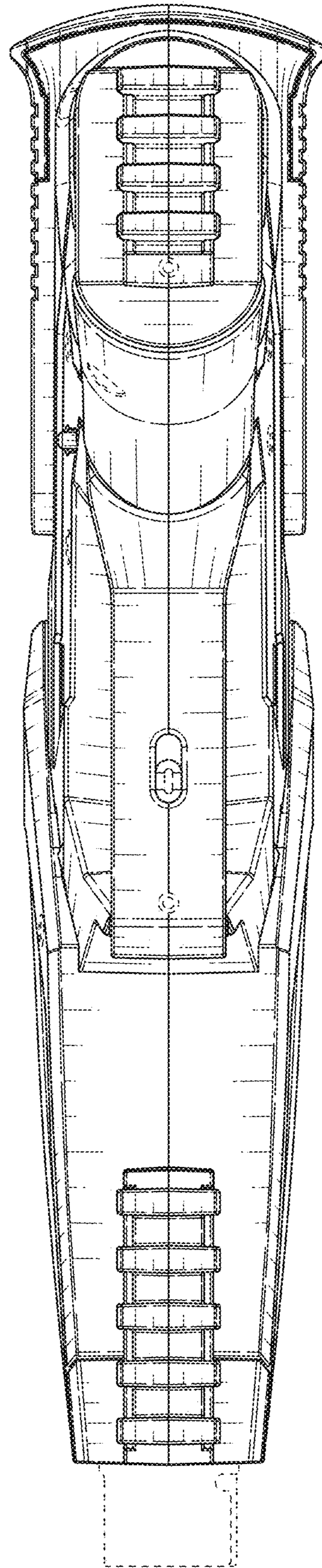


FIG. 7