



US0D1032704S

(12) **United States Design Patent**
Zhu

(10) **Patent No.: US D1,032,704 S**
(45) **Date of Patent: ** Jun. 25, 2024**

(54) **SUNGLASSES**

(71) Applicant: **Yike Zhu**, Sichuan (CN)

(72) Inventor: **Yike Zhu**, Sichuan (CN)

(**) Term: **15 Years**

(21) Appl. No.: **29/812,608**

(22) Filed: **Oct. 22, 2021**

(51) **LOC (14) Cl.** **16-06**

(52) **U.S. Cl.**
USPC **D16/314**

(58) **Field of Classification Search**
USPC D16/100-101, 300-330, 332-342, 900;
D29/106-107, 110

CPC ... G02C 1/00; G02C 1/02; G02C 1/04; G02C
1/06; G02C 1/10; G02C 5/00; G02C
5/008; G02C 5/02; G02C 5/10; G02C
5/12; G02C 5/126; G02C 5/14; G02C
5/16; G02C 5/18; G02C 7/00; G02C
7/02; G02C 7/10; G02C 7/16

See application file for complete search history.

(56) **References Cited**

U.S. PATENT DOCUMENTS

D289,301 S	*	4/1987	Jannard	D16/314
D889,530 S	*	7/2020	Boinnard	D16/313
D897,418 S	*	9/2020	Yang	D16/314
D899,503 S	*	10/2020	Boinnard	D16/314
D949,231 S	*	4/2022	Gong	D16/314
D954,799 S	*	6/2022	Gong	D16/314
D960,229 S	*	8/2022	Zhang	D16/314
D961,661 S	*	8/2022	Miao	D16/314
D962,330 S	*	8/2022	Liao	D16/313
D971,998 S	*	12/2022	Gu	D16/314
D971,999 S	*	12/2022	Chen	D16/314
D976,996 S	*	1/2023	Sun	D16/314
D992,016 S	*	7/2023	Hu	D16/313

FOREIGN PATENT DOCUMENTS

EM 008732846-0001 * 10/2021
EM 015030085-0001 * 8/2023

OTHER PUBLICATIONS

Rockbros Polarized Sunglasses, available in Amazon.com, date first available Jan. 22, 2021[online], [site visited Oct. 31, 2023], Available from the internet URL: <https://www.amazon.com/dp/B08TRJ3NQ4/> (Year: 2021).*

Oulaiqi Cycling Sunglasses Polarized, available in Amazon.com, date first available Feb. 26, 2021[online], [site visited Oct. 31, 2023], Available from the internet URL: <https://www.amazon.com/dp/B08MFCF52G/> (Year: 2021).*

(Continued)

Primary Examiner — Amy C Wierenga

Assistant Examiner — Angel R Marrero-Arce

(57) **CLAIM**

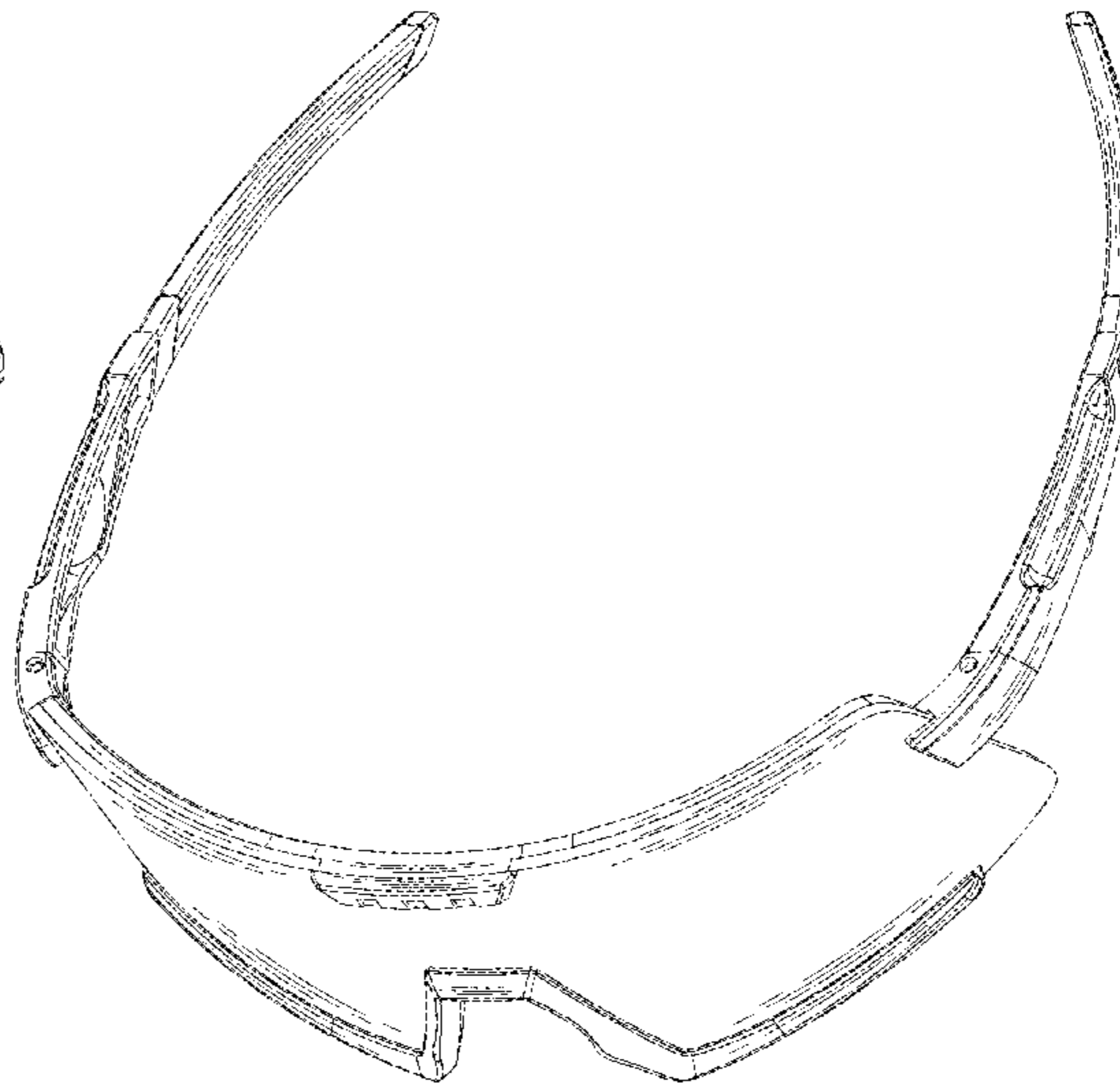
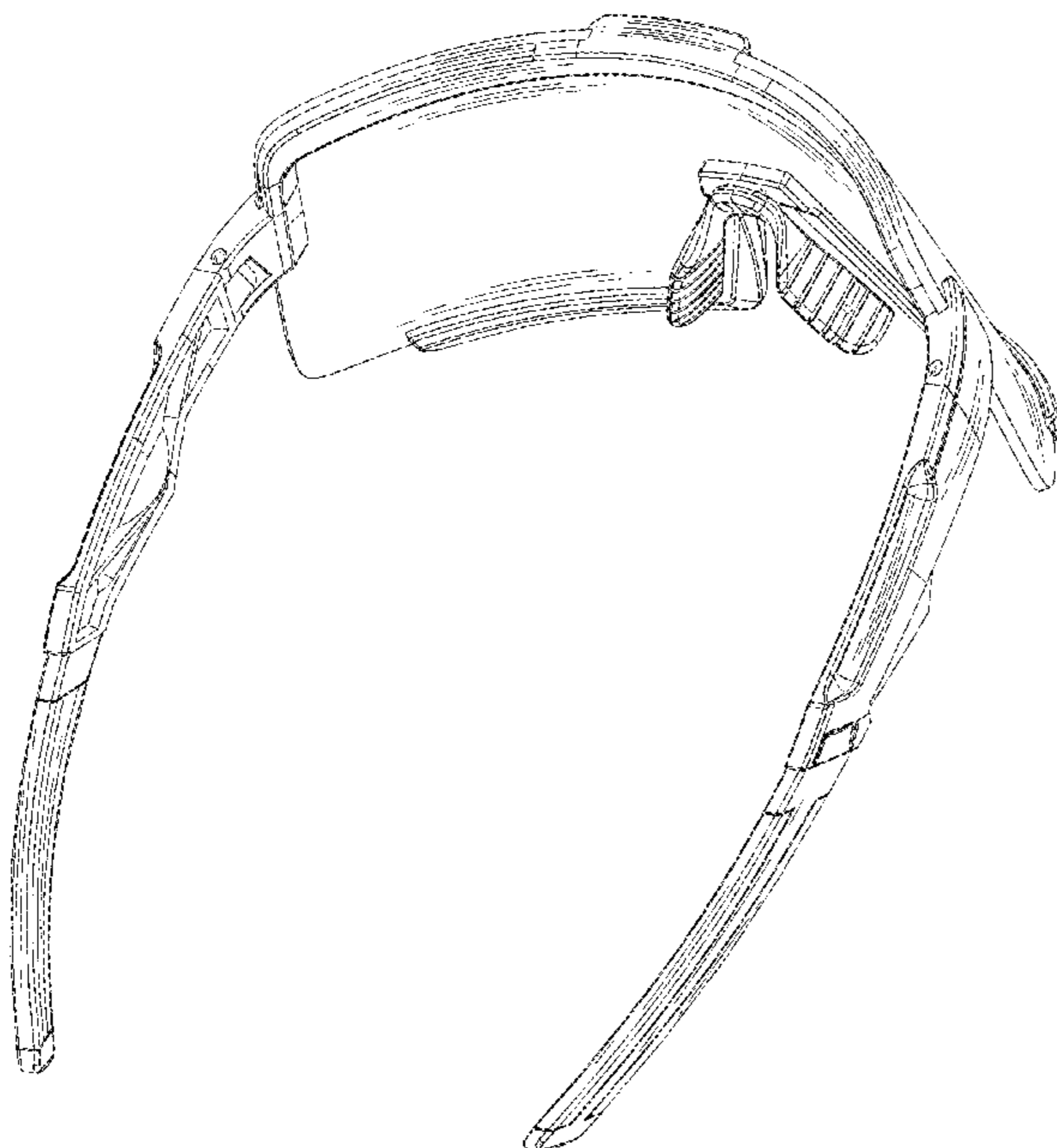
The ornamental design for sunglasses, as shown and described.

DESCRIPTION

FIG. 1 is a front and bottom perspective view of a sunglasses, showing my new design;
FIG. 2 is a front and top perspective view thereof;
FIG. 3 is a front view thereof;
FIG. 4 is a rear view thereof;
FIG. 5 is a left side view thereof;
FIG. 6 is a right side view thereof;
FIG. 7 is a top view thereof; and,
FIG. 8 is a bottom view thereof.

The dashed broken lines illustrate portions of the sunglasses that form no part of the claim.

1 Claim, 8 Drawing Sheets



(56)

References Cited

OTHER PUBLICATIONS

Omekol Two Sizes For Adults and Youth Polarized Sunglasses, available in Amazon.com, date first available Mar. 22, 2022 [online], [site visited Oct. 31, 2023], Available from the internet URL: <https://www.amazon.com/OMEKOL-Polarized-Sunglasses-Mountain-Baseball/dp/B09W5VCZDS/> (Year: 2022).*

Omekol Sports Baseball Sunglasses, available in Amazon.com, date first available Jul. 29, 2022[online], [site visited Oct. 31, 2023], Available from the internet URL: <https://www.amazon.com/OMEKOL-Baseball-Sunglasses-Running-Mountain/dp/B0B824L9N8/> (Year: 2022).*

* cited by examiner

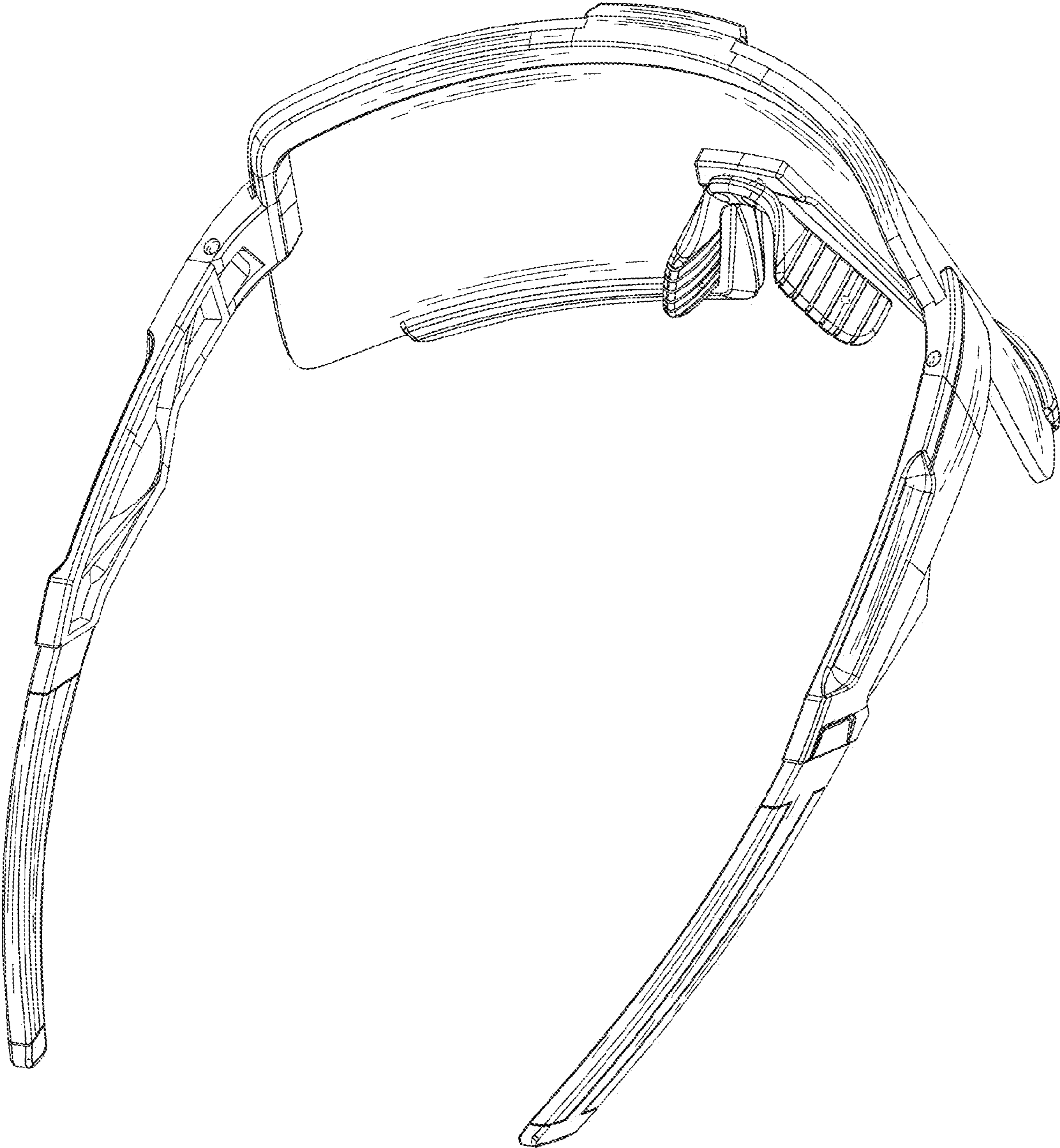


FIG. 1

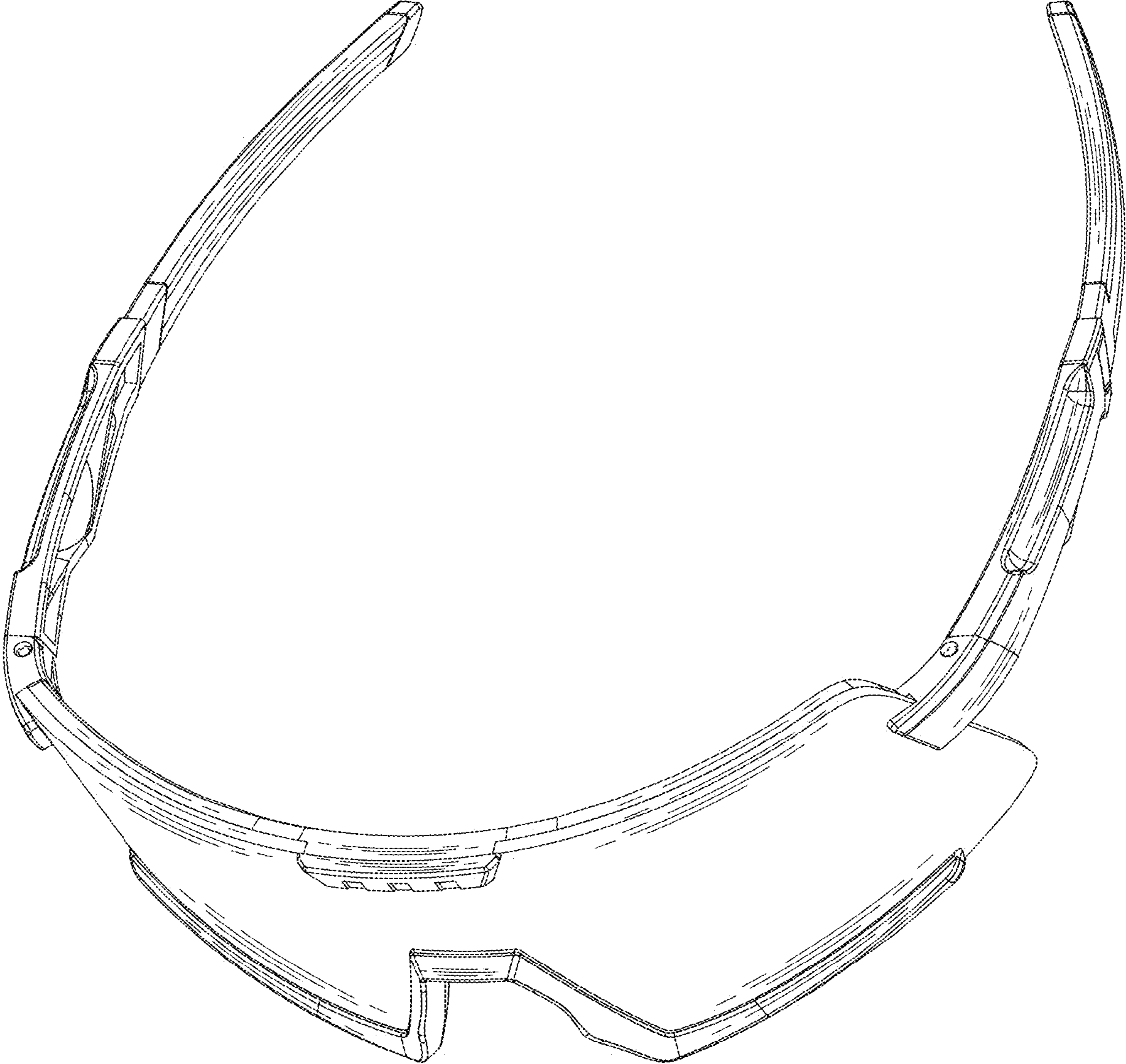


FIG. 2

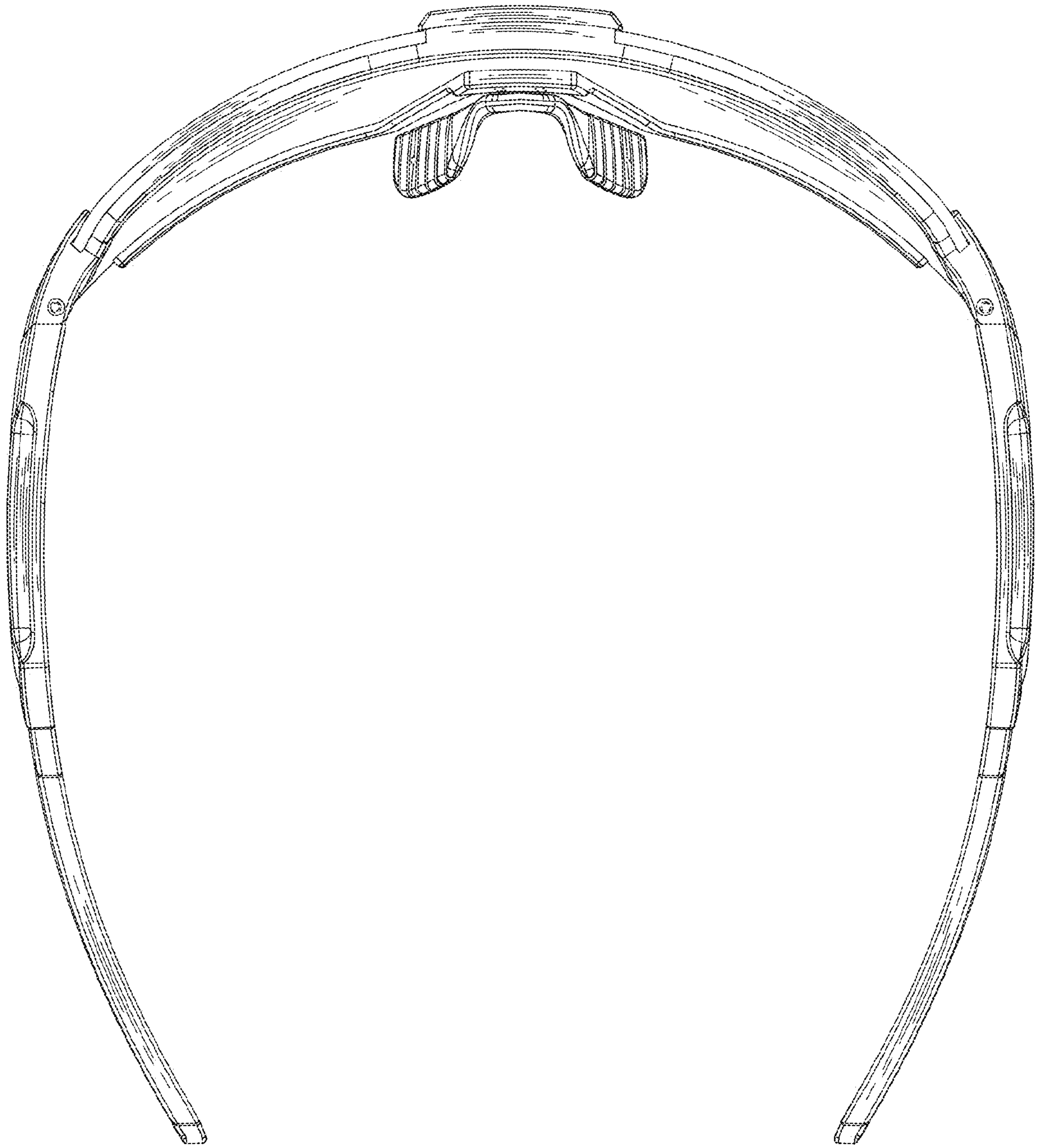


FIG. 3

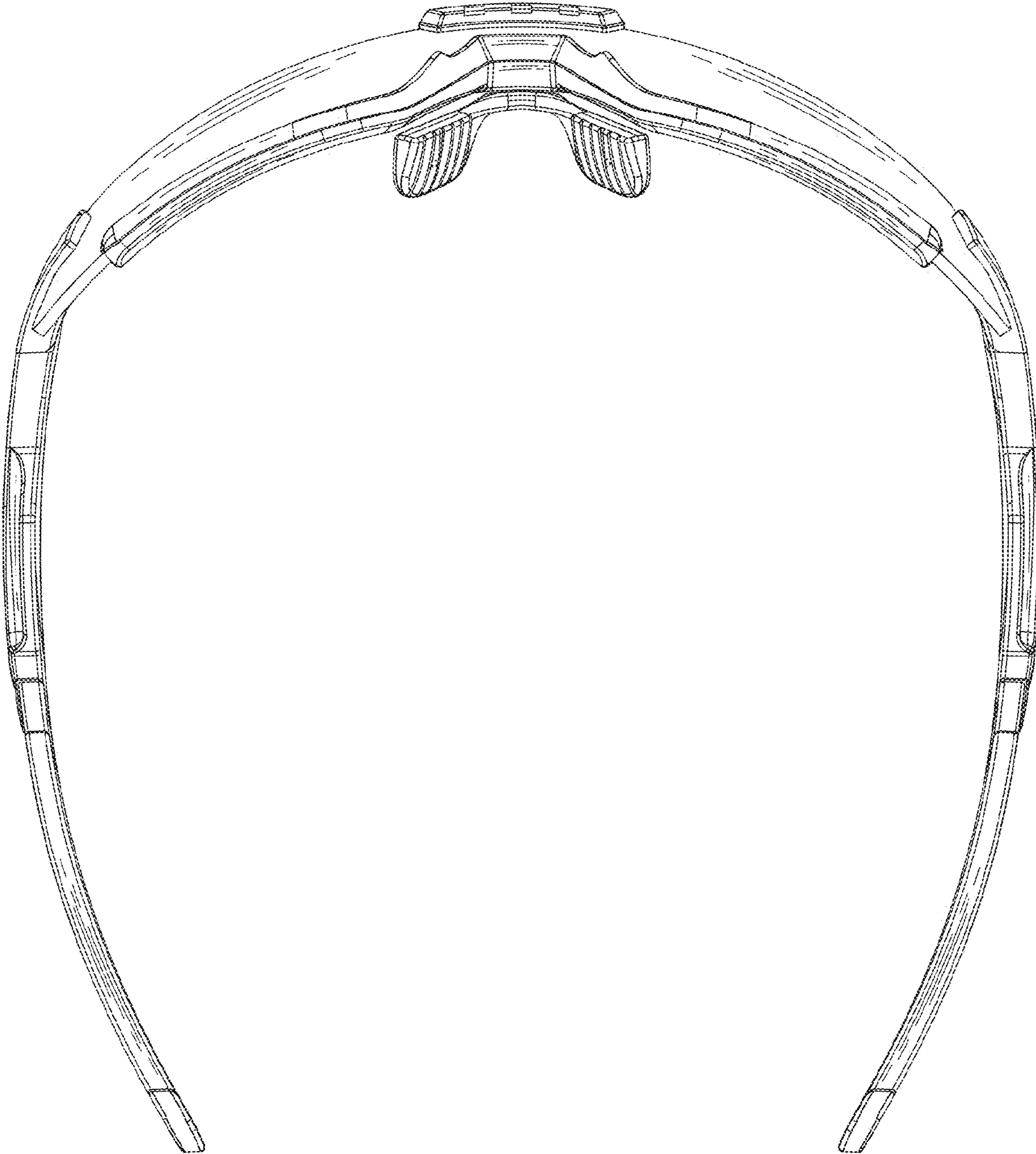


FIG. 4

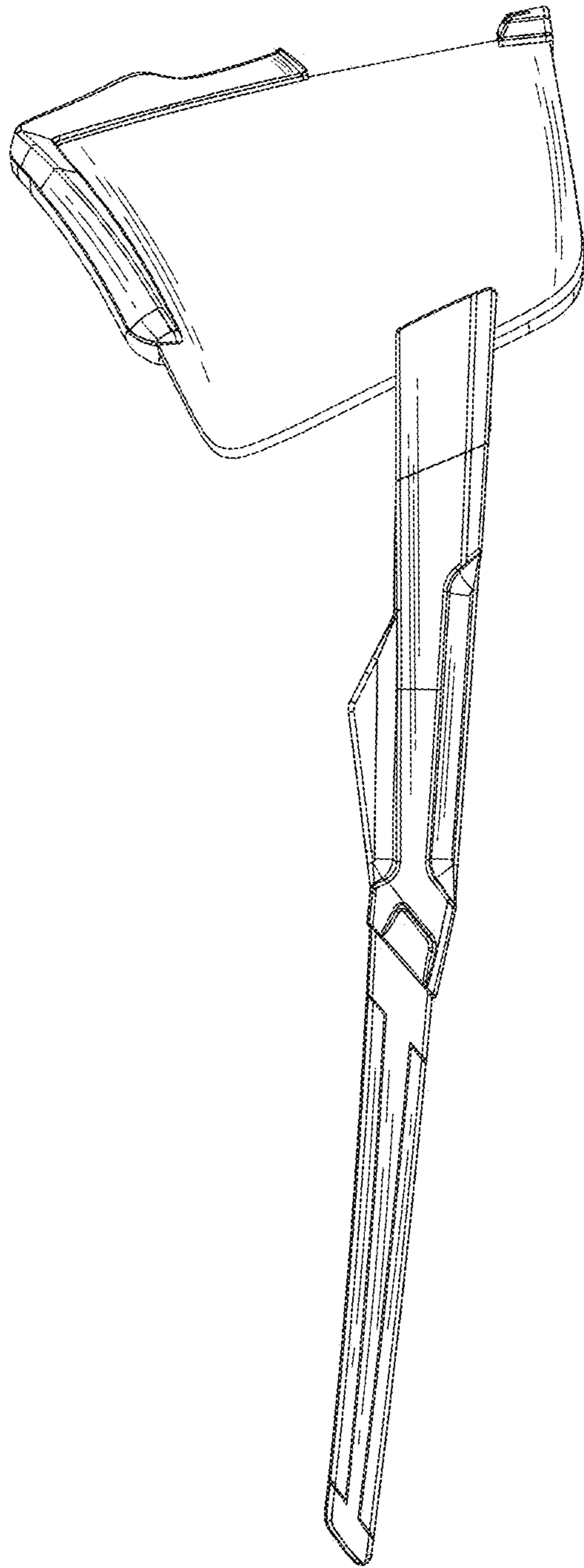


FIG. 5

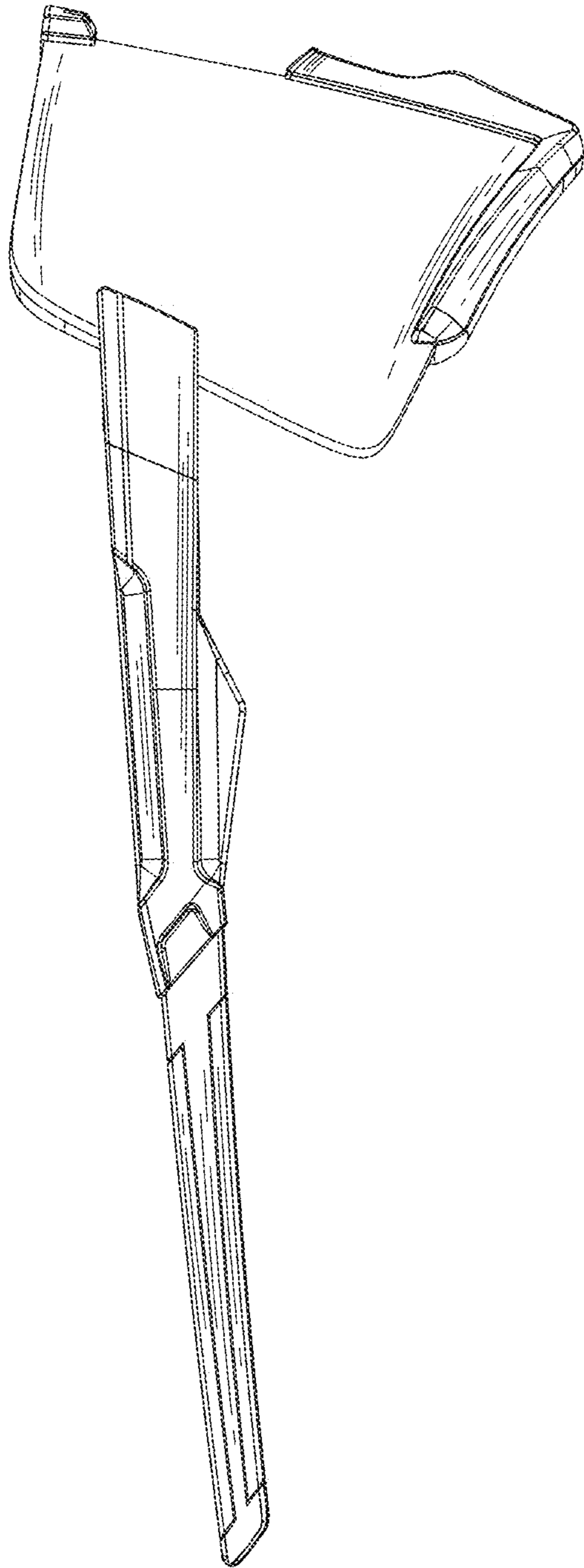


FIG. 6

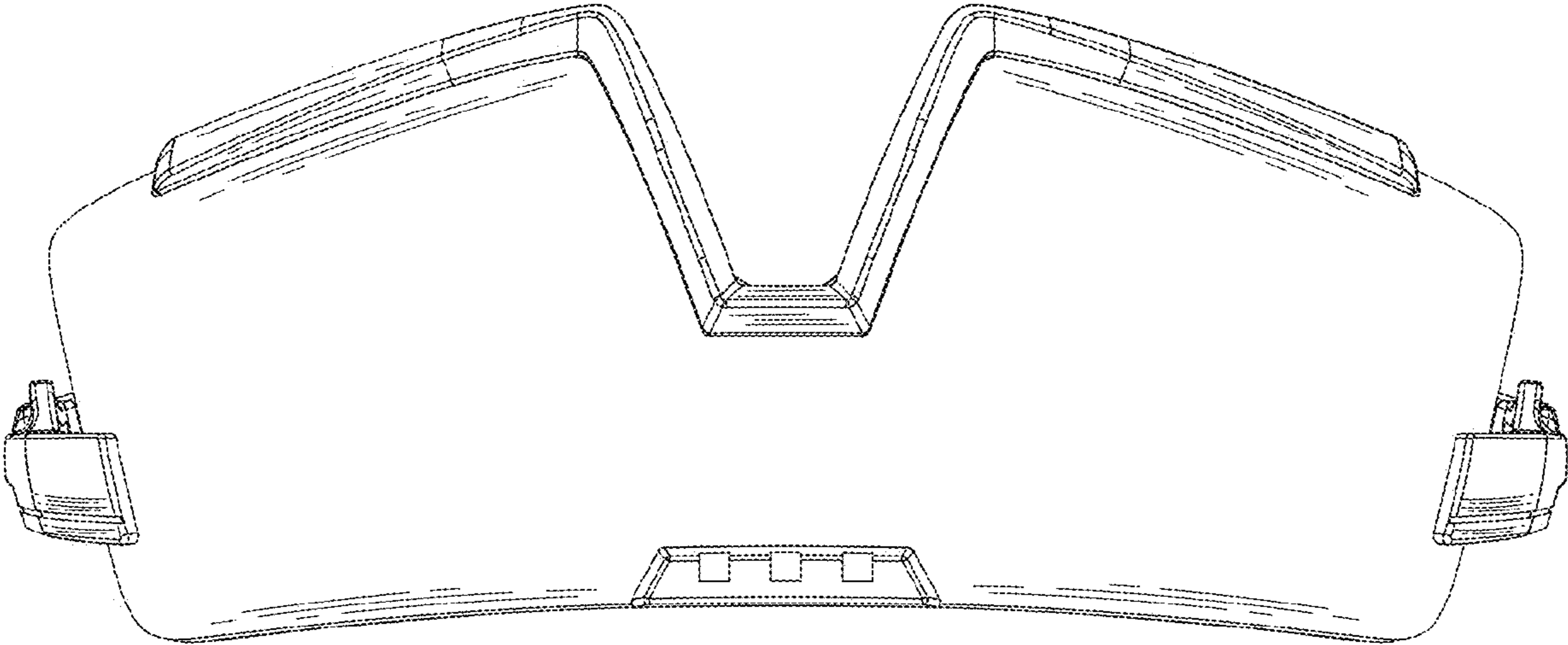


FIG. 7

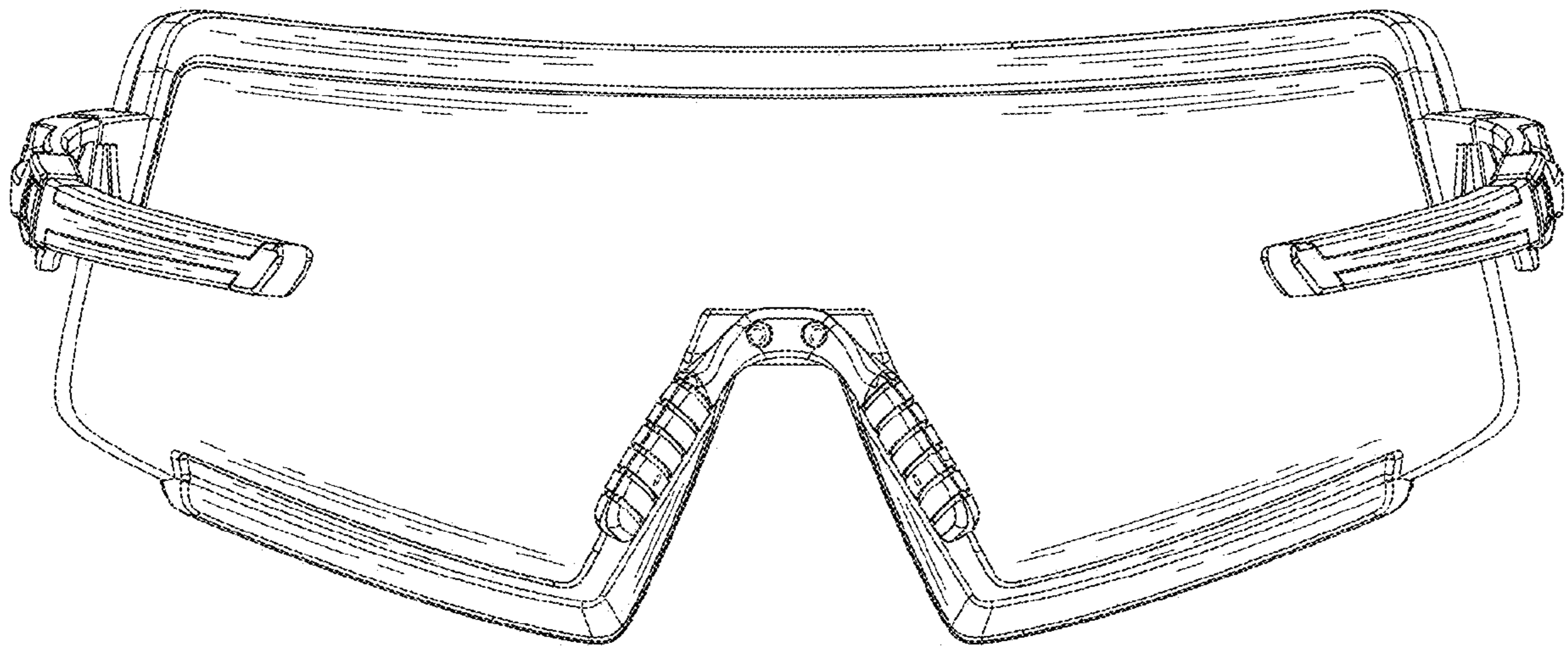


FIG. 8