



US0D1032542S

(12) **United States Design Patent** (10) **Patent No.:** **US D1,032,542 S**  
**Sten** (45) **Date of Patent:** **\*\* Jun. 25, 2024**

(54) **ELECTRONICS HOUSING FOR AN AUTOMOTIVE CONTROLLER DEVICE**

(71) Applicant: **Matthew Sten**, Sunbury (AU)

(72) Inventor: **Matthew Sten**, Sunbury (AU)

(73) Assignee: **Matthew Sten**, Sunbury (AU)

(\*\*) Term: **15 Years**

(21) Appl. No.: **29/791,841**

(22) Filed: **Feb. 11, 2022**

(30) **Foreign Application Priority Data**

Aug. 13, 2021 (AU) ..... 202114849

(51) **LOC (14) Cl.** ..... **13-03**

(52) **U.S. Cl.**  
USPC ..... **D13/162; D14/218**

(58) **Field of Classification Search**  
USPC ..... D14/167, 168, 170-172, 188, 194-197, D14/203.1-203.8, 204, 209.1, 210-217, D14/219, 221, 222, 224, 239, 496, 218; D13/162, 162.1, 184; D12/174, 192; D21/324, 333  
CPC ..... B60R 11/0217; G06F 1/1688; G10K 9/22; G10K 11/004; H03F 1/327; H04M 1/03; H04M 1/035; H04N 5/642; H04N 21/4852; H04R 1/02; H04R 1/06; H04R 1/021; H04R 1/025; H04R 1/026; H04R 1/028; H04R 1/105; H04R 1/323; H04R 1/403; H04R 1/2803; H04R 1/2834; H04R 5/02; H04R 7/20; H04R 9/06; H04R 9/025; H04R 2201/021; H04R 2400/00; H04R 2400/07; H04R 2499/11; H04R 2499/13; H04R 2499/15; H04S 3/00; H04S 7/30

See application file for complete search history.

(56) **References Cited**

U.S. PATENT DOCUMENTS

D340,457 S *	10/1993	Lennon, III	.....	D14/240
D497,356 S *	10/2004	Jerome	.....	D14/188
D515,038 S *	2/2006	Riley	.....	D13/162
D572,153 S *	7/2008	Bray	.....	D10/57
D646,667 S *	10/2011	Donegain	.....	D14/203.3
D803,708 S *	11/2017	Madrid	.....	D10/70
D893,677 S *	8/2020	Moy	.....	D23/233
D913,983 S *	3/2021	Tong	.....	D14/155
2014/0043303 A1 *	2/2014	Baker	.....	G05G 9/047 345/184

\* cited by examiner

*Primary Examiner* — Keli L Hill

(74) *Attorney, Agent, or Firm* — Maschoff Brennan

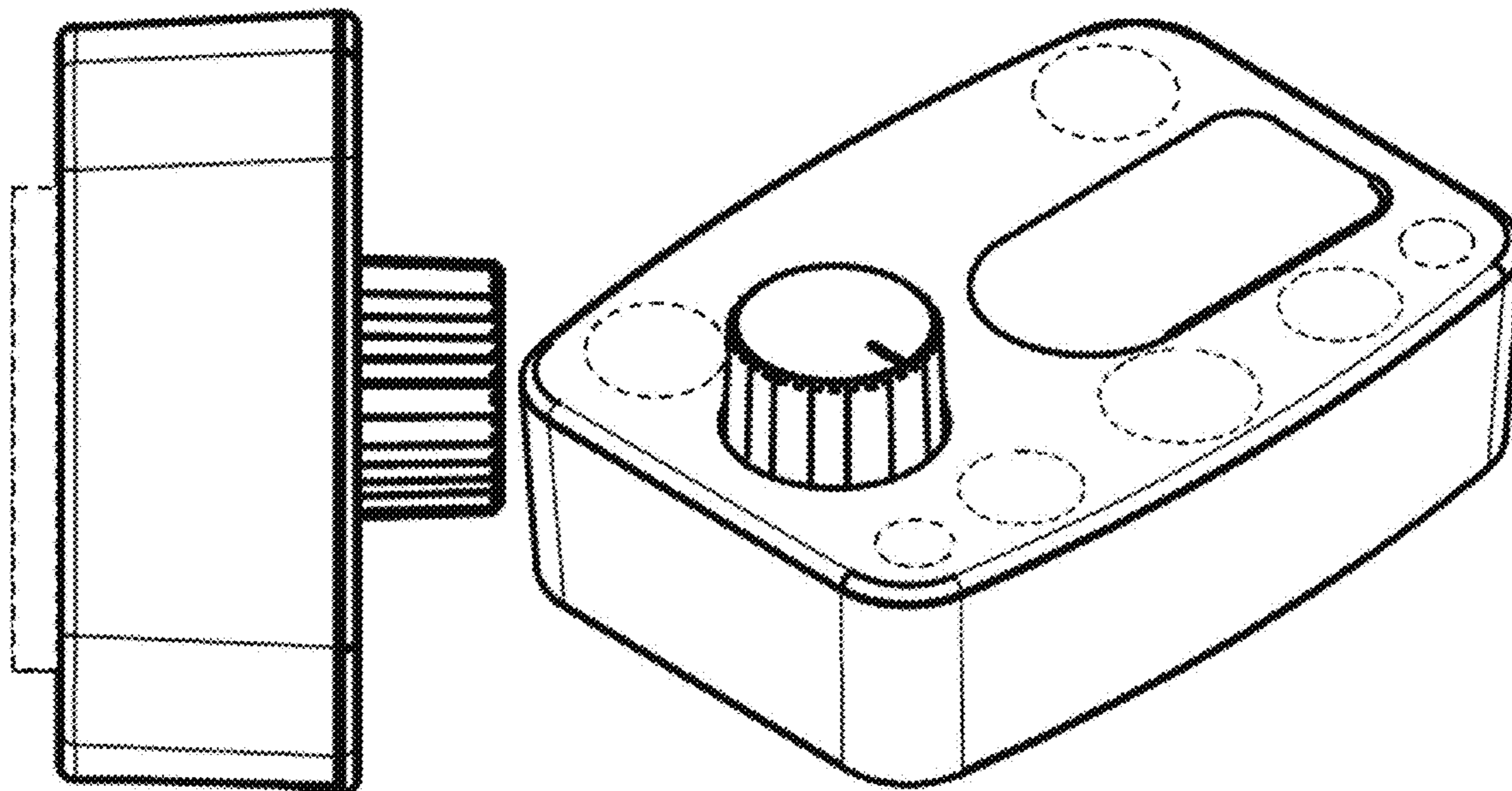
(57) **CLAIM**

The ornamental design for an electronics housing for an automotive controller device, as shown and described.

**DESCRIPTION**

FIG. 1 is a front view of an electronics housing for an automotive controller device;  
FIG. 2 is a rear view thereof;  
FIG. 3 is a top view thereof;  
FIG. 4 is a bottom view thereof;  
FIG. 5 is a side view thereof; and,  
FIG. 6 is a perspective view thereof.  
The broken lines shown are included for the purpose of illustrating portions of the electronics housing for an automotive controller device that form no part of the claim.

**1 Claim, 6 Drawing Sheets**



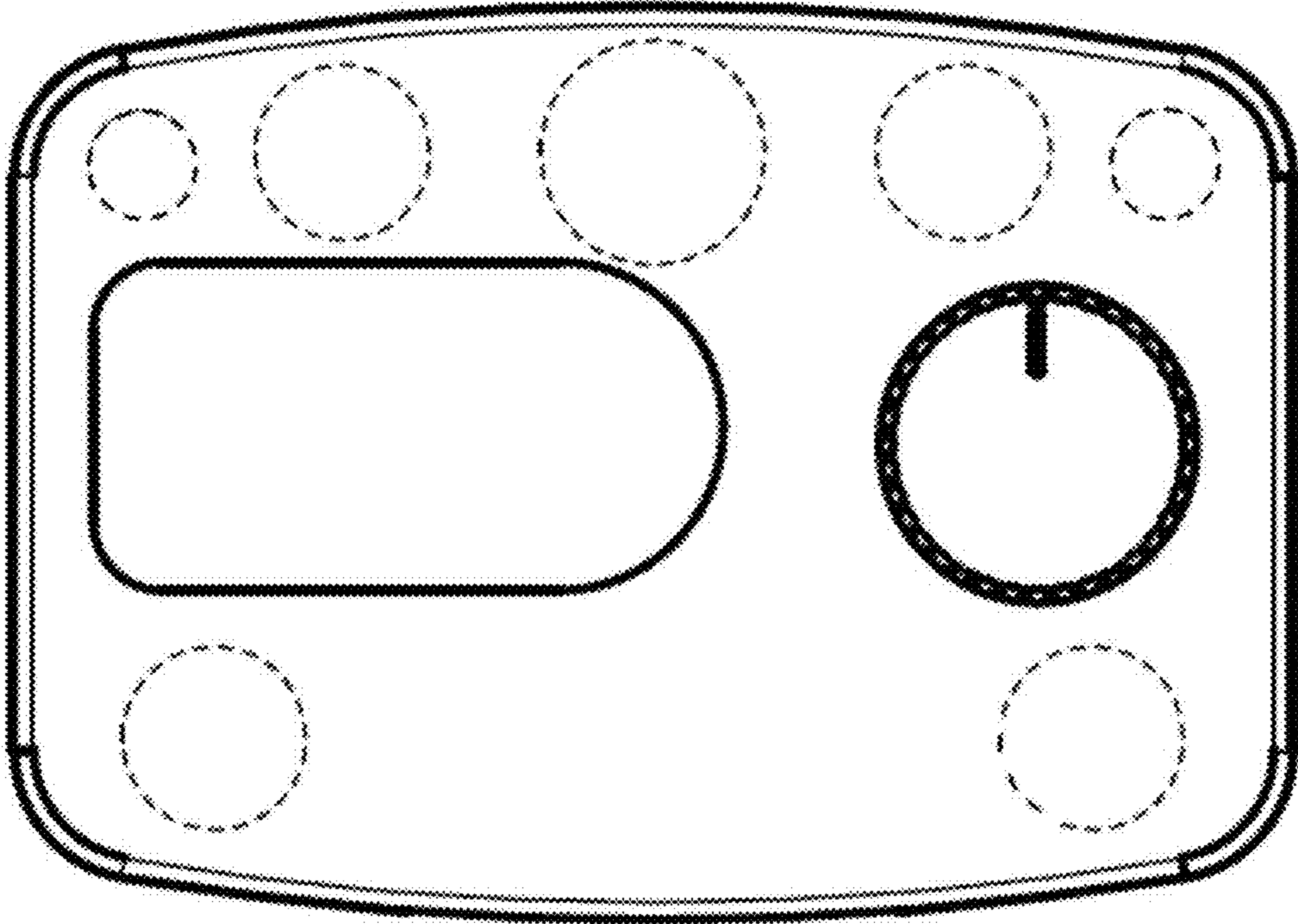


FIG 1

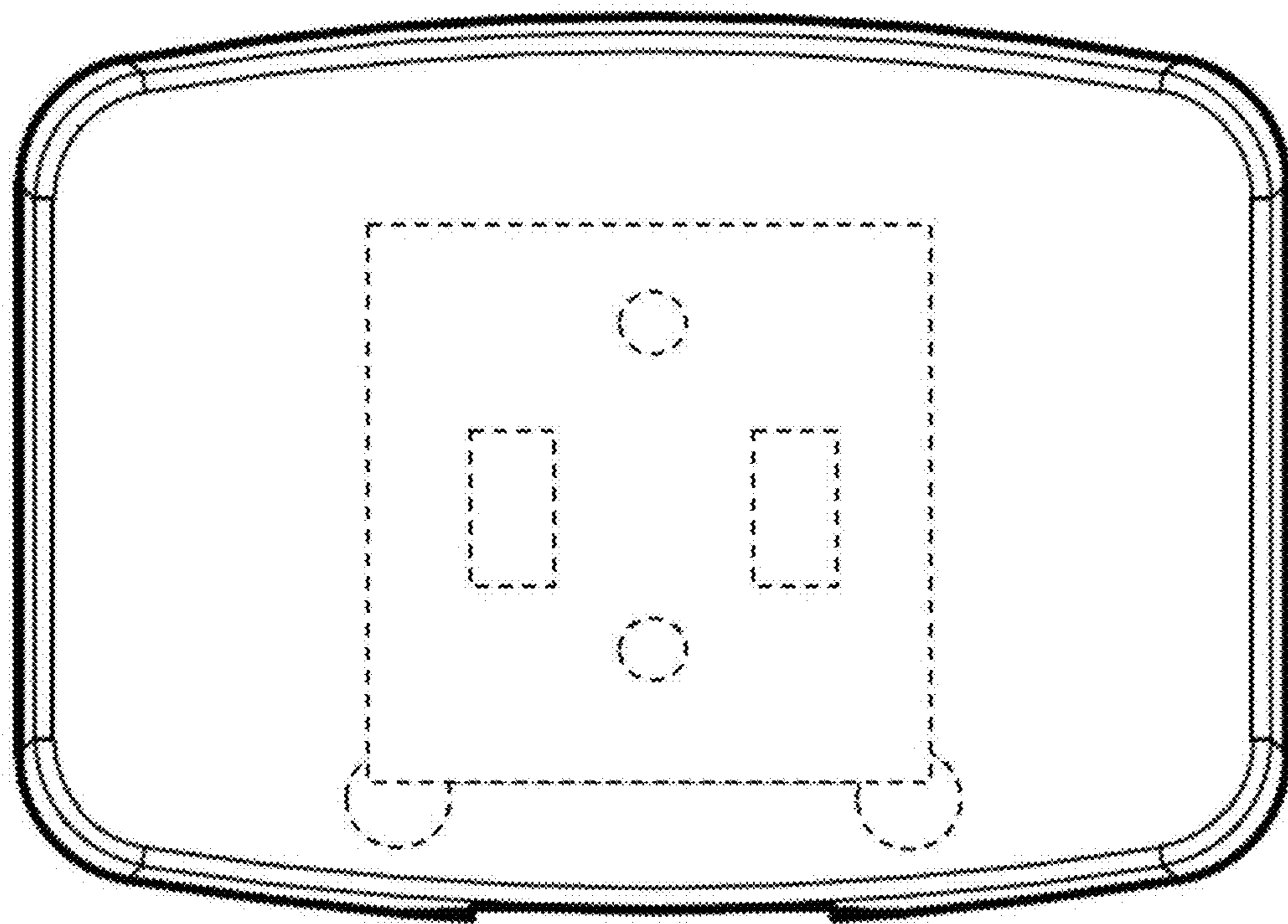


FIG 2

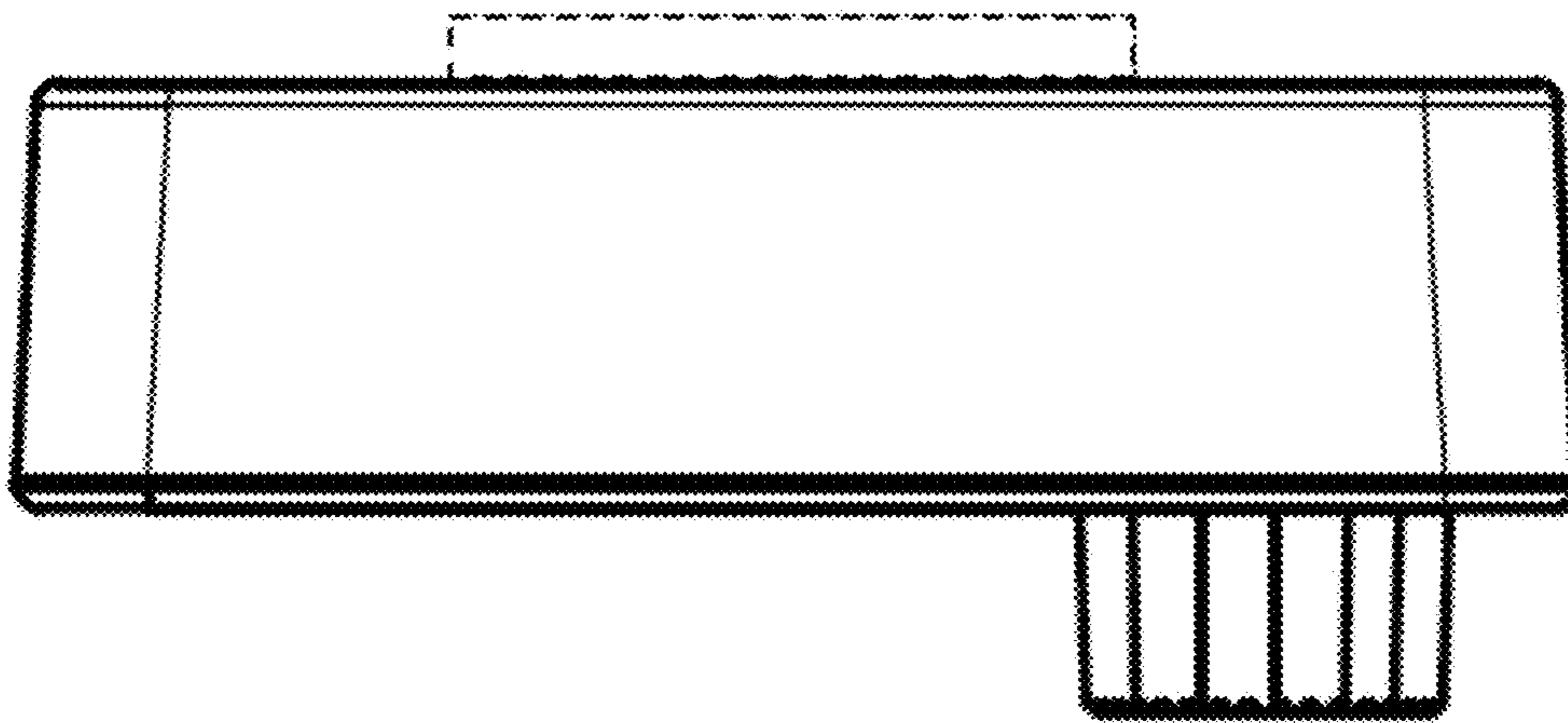


FIG 3

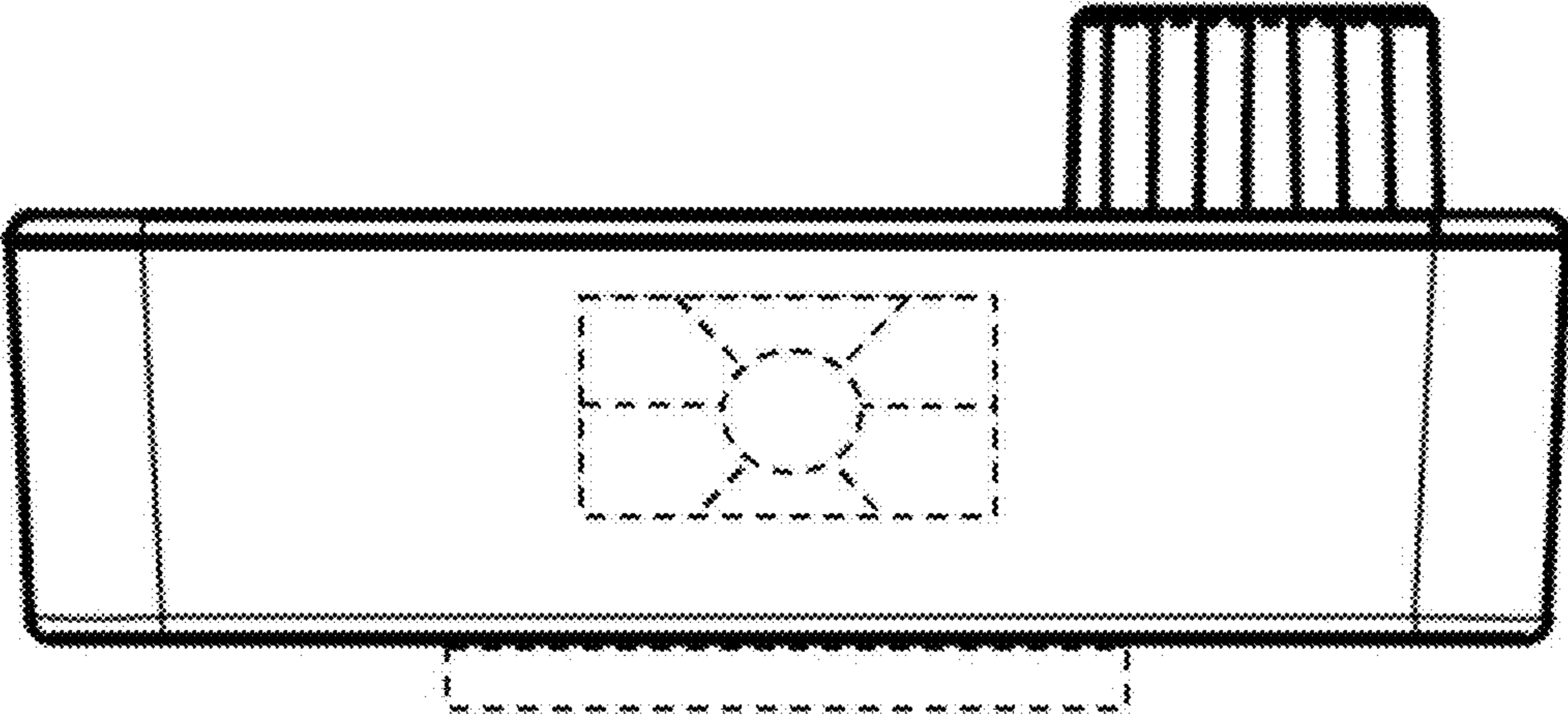


FIG 4

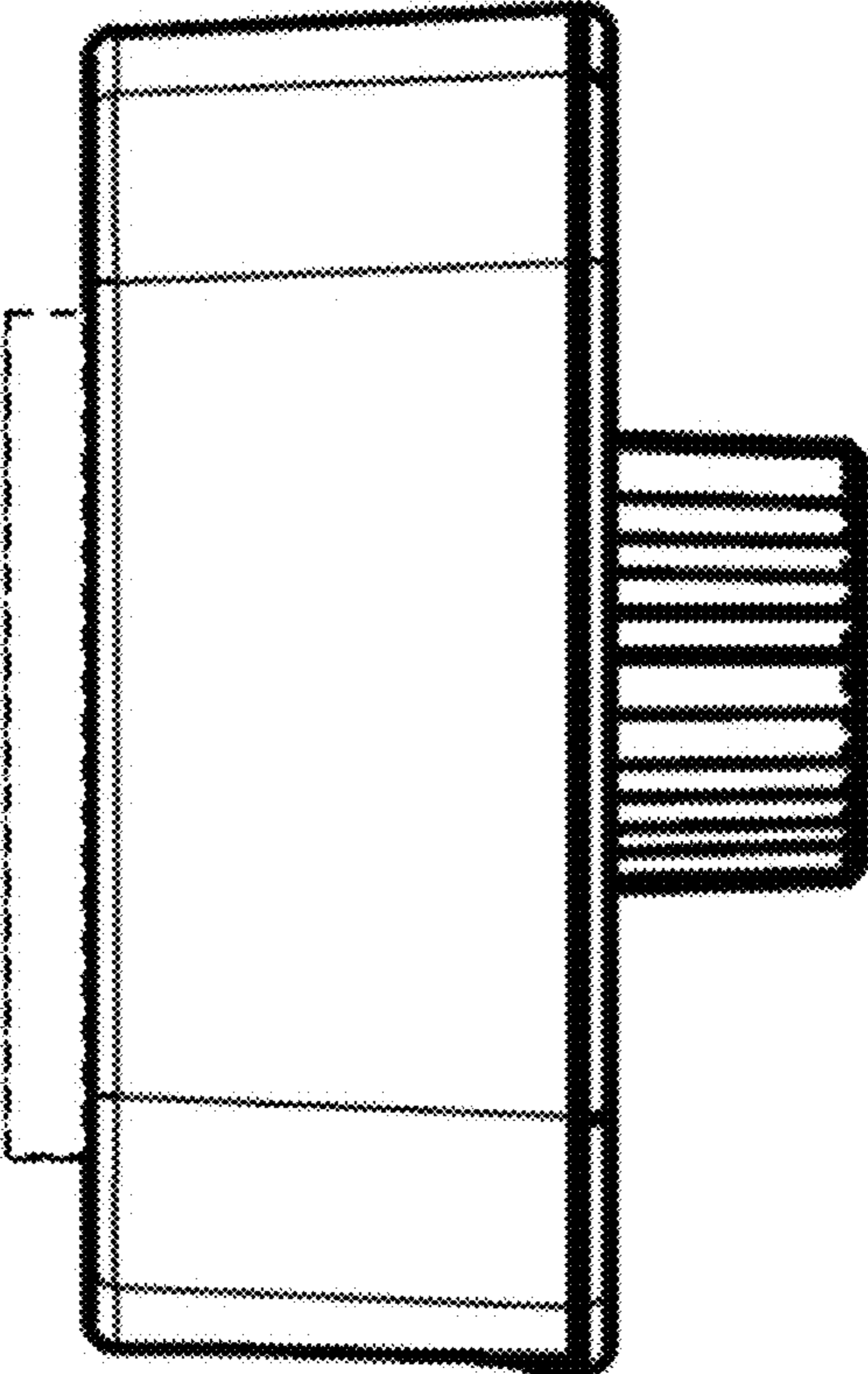


FIG 5

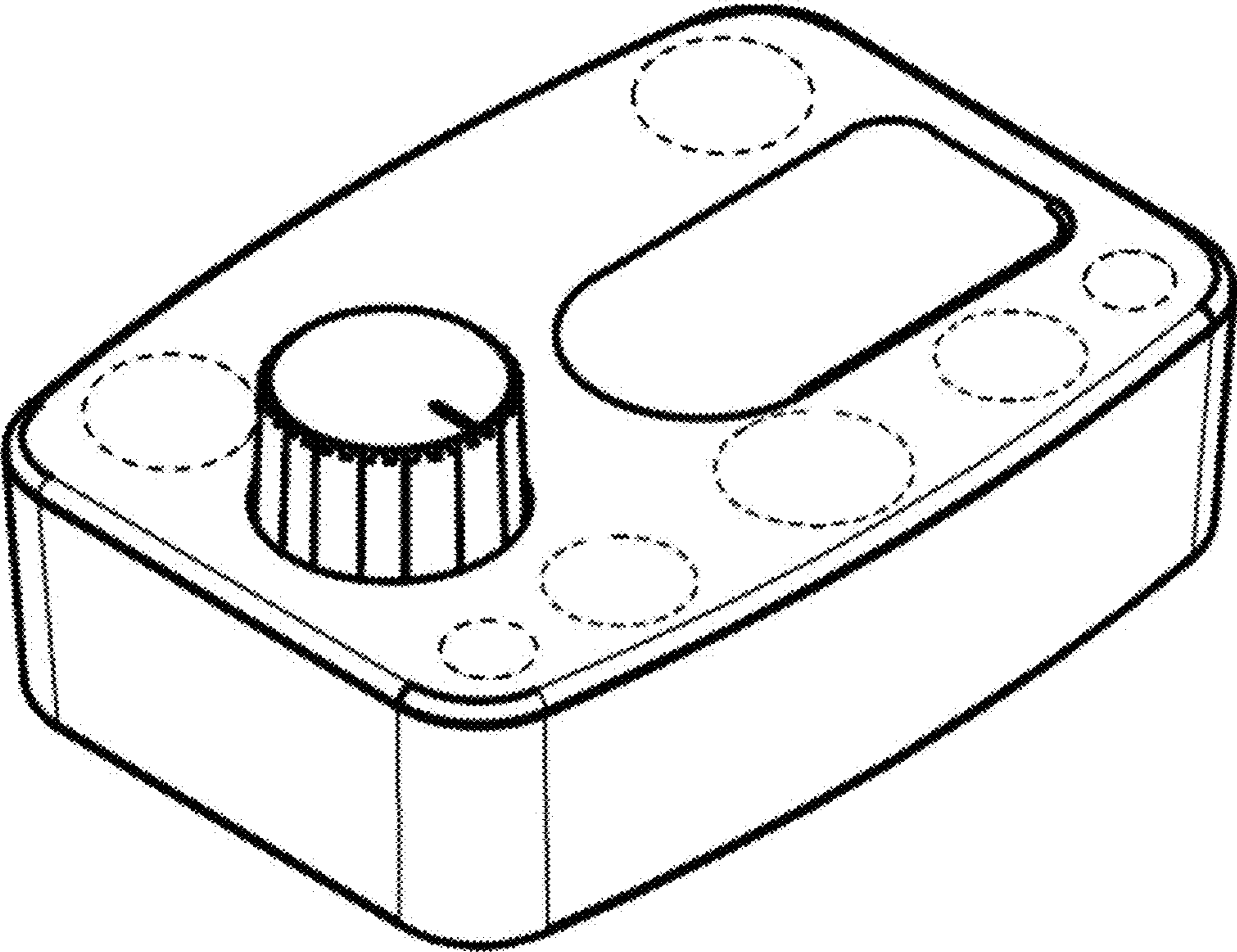


FIG 6