



US0D1032455S

(12) **United States Design Patent**  
**Han**

(10) **Patent No.:** **US D1,032,455 S**

(45) **Date of Patent:** **\*\* Jun. 25, 2024**

- (54) **AUTOMOTIVE WHEEL**
- (71) Applicant: **Donnie Han**, Irvine, CA (US)
- (72) Inventor: **Donnie Han**, Irvine, CA (US)
- (\*\*) Term: **15 Years**
- (21) Appl. No.: **29/861,338**
- (22) Filed: **Nov. 29, 2022**
- (51) **LOC (14) Cl.** ..... **12-16**
- (52) **U.S. Cl.**  
USPC ..... **D12/209**
- (58) **Field of Classification Search**  
USPC ..... D12/204, 205, 206, 207, 208, 209–213;  
D15/10, 33; D21/561, 563  
CPC .... B60B 1/00; B60B 1/08; B60B 1/10; B60B  
1/12; B60B 3/02; B60B 3/04; B60B 3/06;  
B60B 3/10; B60B 7/00; B60B 7/01;  
B60B 7/02; B60B 7/04  
See application file for complete search history.

D937,738 S *	12/2021	Han	.....	D12/209
D937,739 S *	12/2021	Han	.....	D12/209
D943,486 S *	2/2022	Aiello	.....	D12/209
D947,742 S *	4/2022	Abderrazak	.....	D12/209
D947,743 S *	4/2022	Abderrazak	.....	D12/209

**OTHER PUBLICATIONS**

Fittipaldi Offroad FTF507P, posted Mar. 1, 2023 [online], [retrieved Feb. 6, 2024]. Retrieved from internet, [https://www.amazon.com/FITTIPALDI-OFFROAD-FTF507P-L-125-2-POLISHED-FTF507-26168170N101P-L/dp/B0BX7L9RV9/ref=sr\\_1\\_7](https://www.amazon.com/FITTIPALDI-OFFROAD-FTF507P-L-125-2-POLISHED-FTF507-26168170N101P-L/dp/B0BX7L9RV9/ref=sr_1_7) (Year: 2023).\*

Fittipaldi Offroad FTF507 24x14-76, posted date unknown [online], [retrieved Feb. 6, 2024]. Retrieved from internet, <https://www.mrwheeldeal.com/buy-wheel-offset/FTF507-24145127N76P-L/fittipaldi-offroad-fft507-24x14-76> (Year: 2024).\*

\* cited by examiner

*Primary Examiner* — Darlington Ly  
*Assistant Examiner* — Jeremy Koenig

(57) **CLAIM**

The ornamental design for an automotive wheel, as shown and described.

(56) **References Cited**

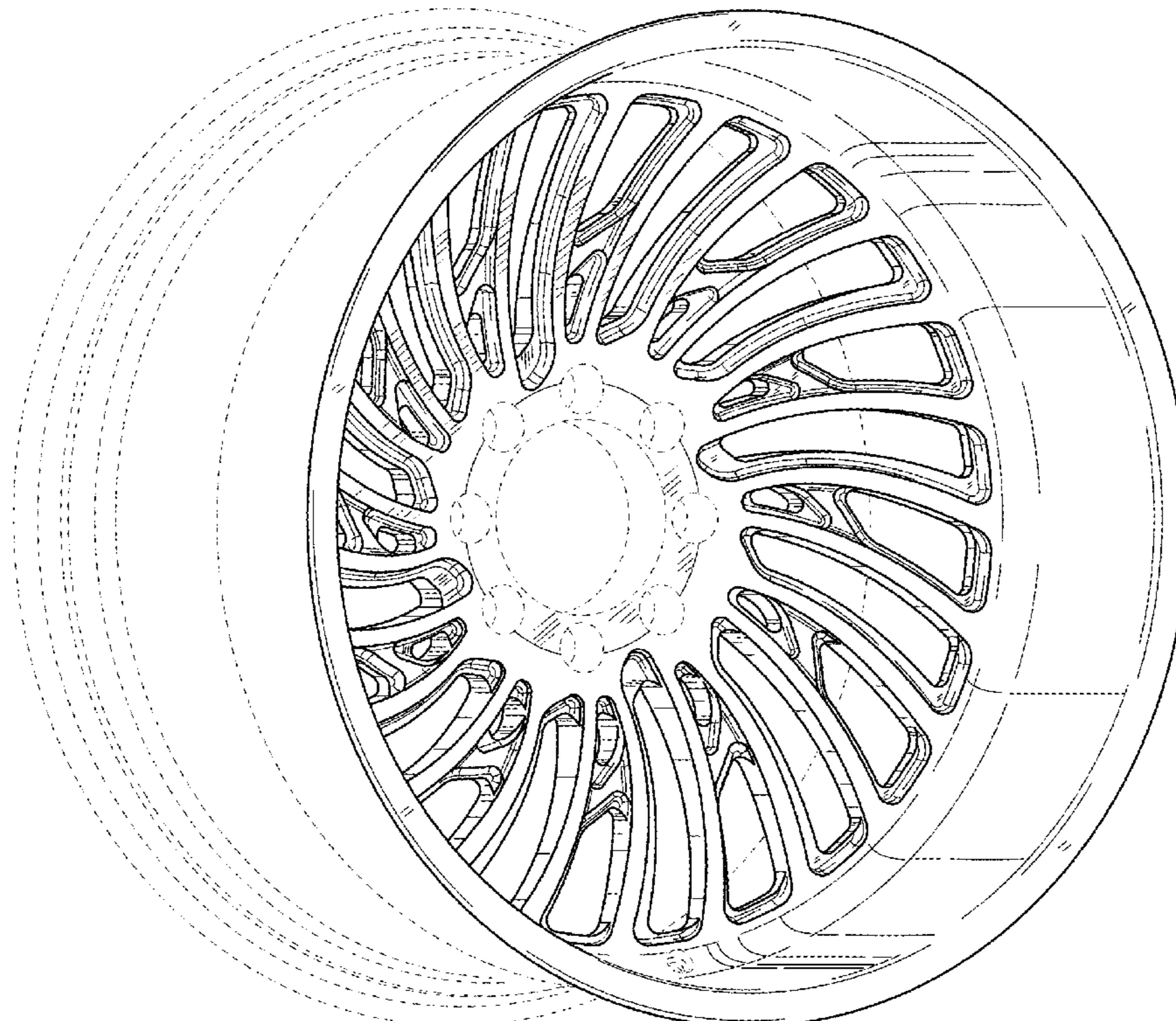
**U.S. PATENT DOCUMENTS**

D404,700 S *	1/1999	Celeste	.....	D12/209
D745,841 S *	12/2015	Ferrett	.....	D12/209
D821,281 S *	6/2018	Zhao	.....	D12/209
D827,542 S *	9/2018	Woodhouse	.....	D12/209
D846,476 S *	4/2019	Lucas	.....	D12/209
D882,485 S *	4/2020	Woodhouse	.....	D12/209
D885,540 S *	5/2020	Meng	.....	D23/335
D889,369 S *	7/2020	Lee	.....	D12/209
D921,551 S *	6/2021	Yeh	.....	D12/209

**DESCRIPTION**

FIG. 1 is a perspective view of an automotive wheel, showing my new design; and,  
FIG. 2 is a front elevation view thereof.  
In the drawings, the broken lines depict portions of the automotive wheel that form no part of the claimed design.

**1 Claim, 2 Drawing Sheets**



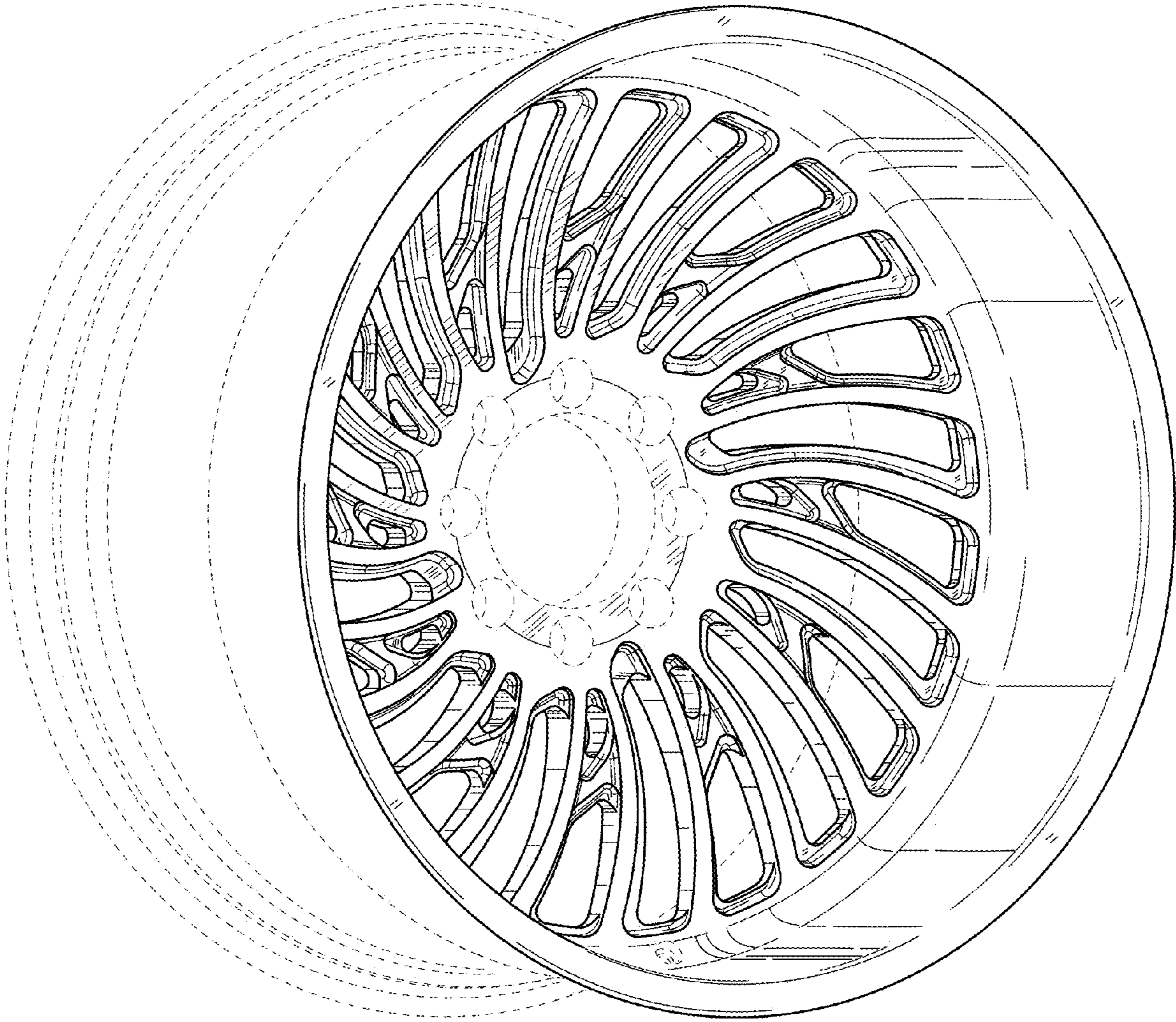


FIGURE 1

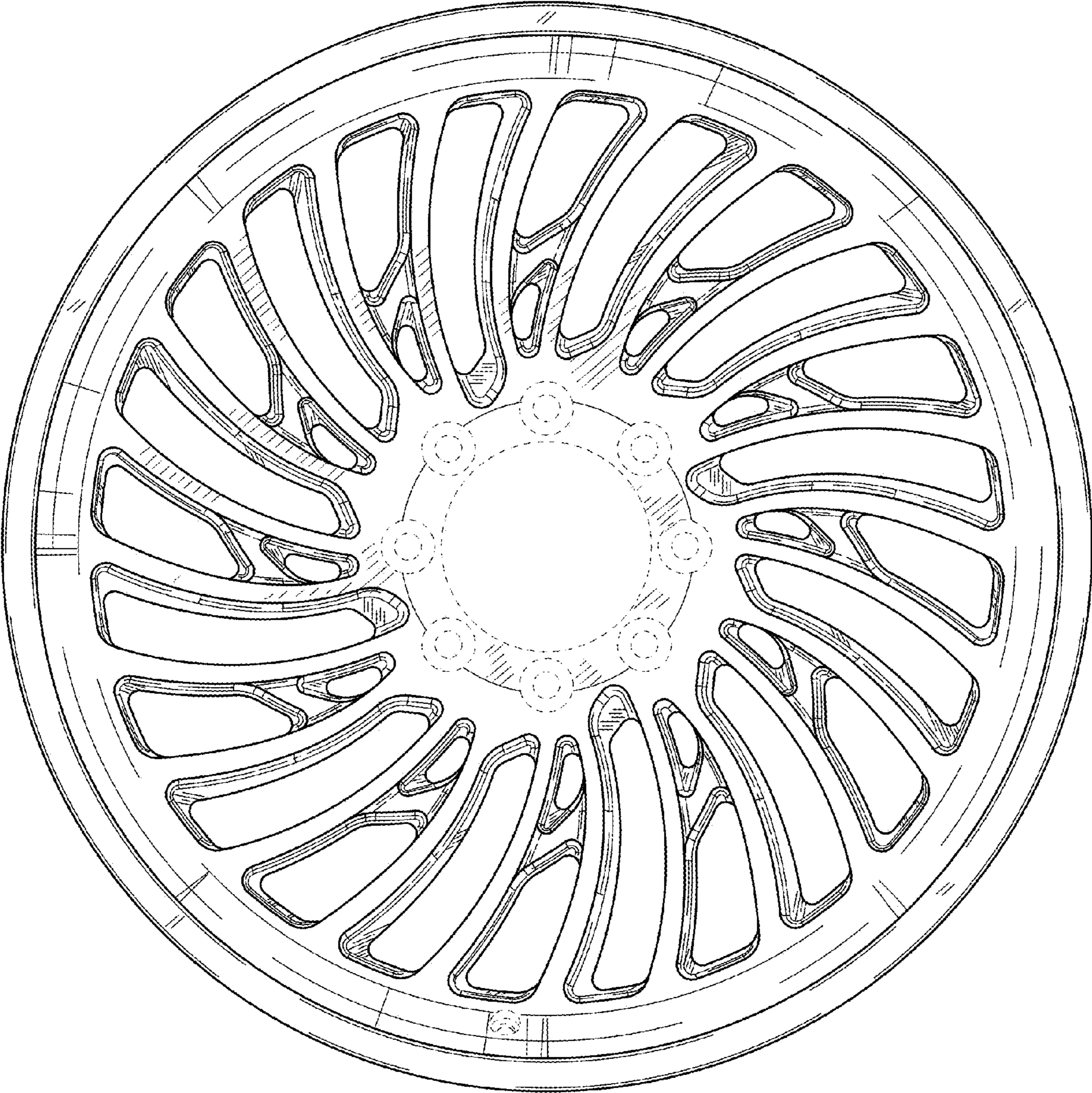


FIGURE 2