



US0D1032449S

(12) **United States Design Patent**
Guo et al.

(10) **Patent No.:** **US D1,032,449 S**

(45) **Date of Patent:** **** Jun. 25, 2024**

(54) **VEHICLE WHEEL**

(71) Applicant: **CITIC Dicastal Co., Ltd.**,
Qinhuangdao (CN)

(72) Inventors: **Jing Guo**, Qinhuangdao (CN);
Chengzhe Xiao, Qinhuangdao (CN);
Lingguang Meng, Qinhuangdao (CN);
Hanqi Wu, Qinhuangdao (CN); **Zhihua**
Zhu, Qinhuangdao (CN); **Chunhai Liu**,
Qinhuangdao (CN)

(73) Assignee: **CITIC Dicastal Co., Ltd.**,
Qinhuangdao (CN)

(**) Term: **15 Years**

(21) Appl. No.: **29/817,053**

(22) Filed: **Nov. 29, 2021**

(51) **LOC (14) Cl.** **12-16**

(52) **U.S. Cl.**
USPC **D12/204**

(58) **Field of Classification Search**
USPC D12/204–213, 501; D21/563, 779
CPC B60B 7/00; B60B 7/01; B60B 7/02; B60B
7/04; B60B 7/06; B60B 3/02; B60B 3/04;
B60B 3/06; B60B 3/10; B60B 1/00;
B60B 1/08; B60B 1/10; B60B 1/12
See application file for complete search history.

(56) **References Cited**

U.S. PATENT DOCUMENTS

D535,237 S * 1/2007 Conner D12/209
D739,803 S * 9/2015 Miansian D12/209

D801,252 S * 10/2017 McMath D12/209
D808,322 S * 1/2018 Sempek D12/209
D830,269 S * 10/2018 Garcia D12/209
D830,271 S * 10/2018 Aslam D12/213
D830,938 S * 10/2018 Hodges D12/211
D831,556 S * 10/2018 Hodges D12/209
D839,171 S * 1/2019 Hodges D12/209
D856,891 S * 8/2019 Zhao D12/209
D860,093 S * 9/2019 Milani D12/209
D879,003 S * 3/2020 Poliak D12/209
D913,181 S * 3/2021 Berlin D12/209

* cited by examiner

Primary Examiner — Cary M Robinson

Assistant Examiner — Adam C Mager

(74) *Attorney, Agent, or Firm* — IPRO, PLLC

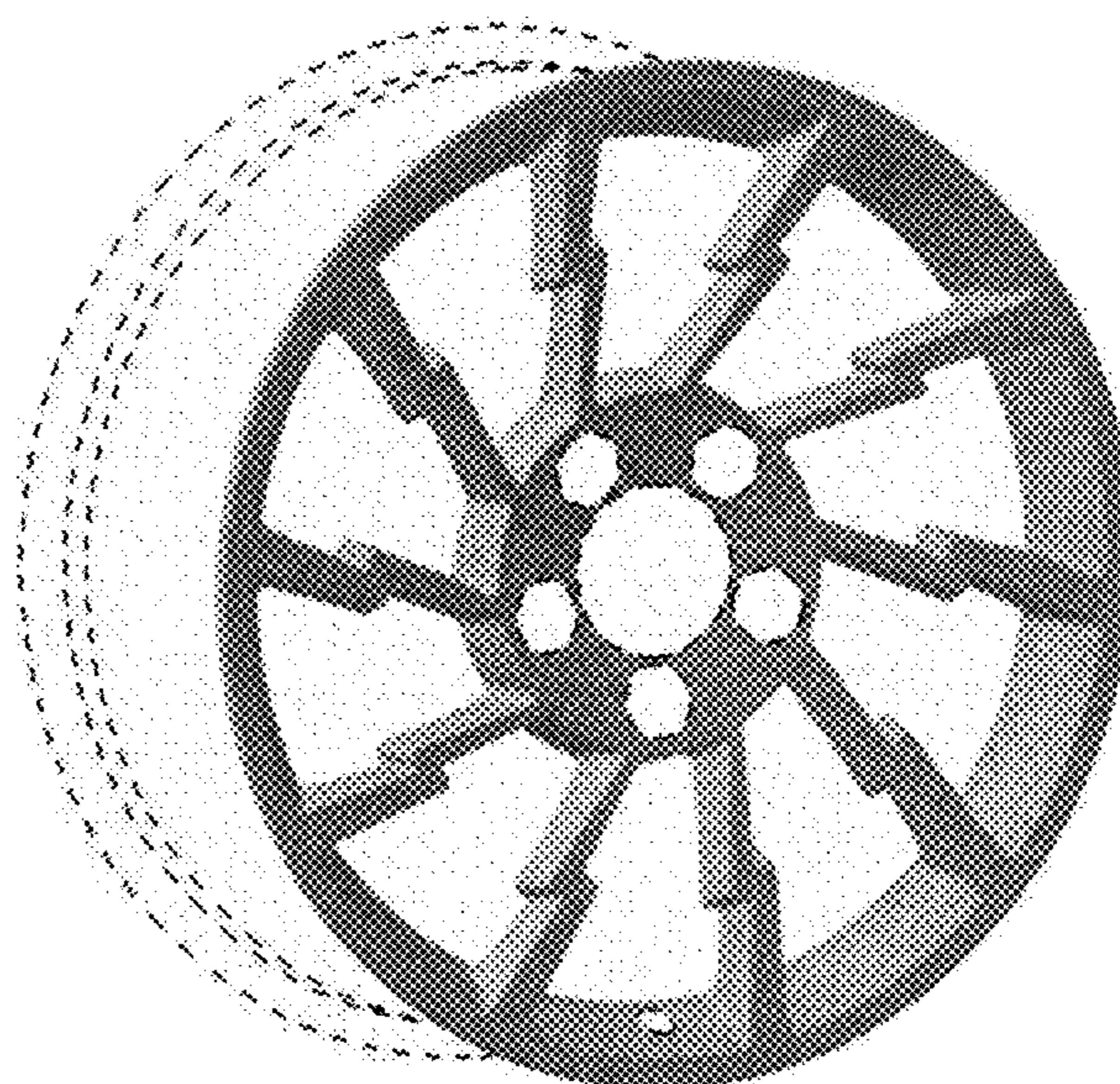
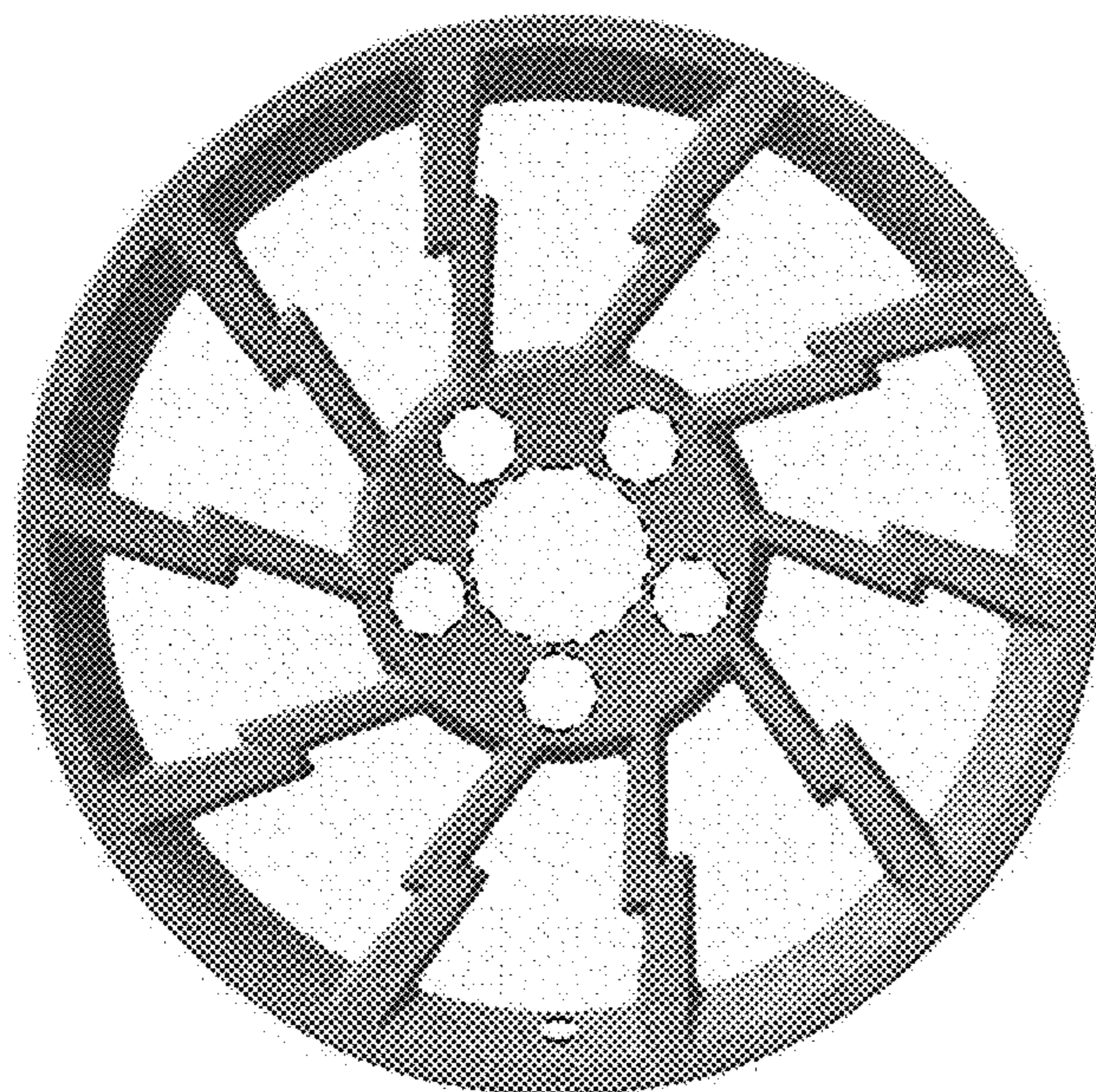
(57) **CLAIM**

The ornamental design for a vehicle wheel, as shown and described.

DESCRIPTION

FIG. 1 is a front view of a vehicle wheel.
FIG. 2 is a perspective view of the vehicle wheel; and,
FIG. 3 is a left side view of the vehicle wheel.
The broken lines in the drawings are for the purpose of illustrating portions of the vehicle wheel and forms no part of the claimed design.

1 Claim, 3 Drawing Sheets



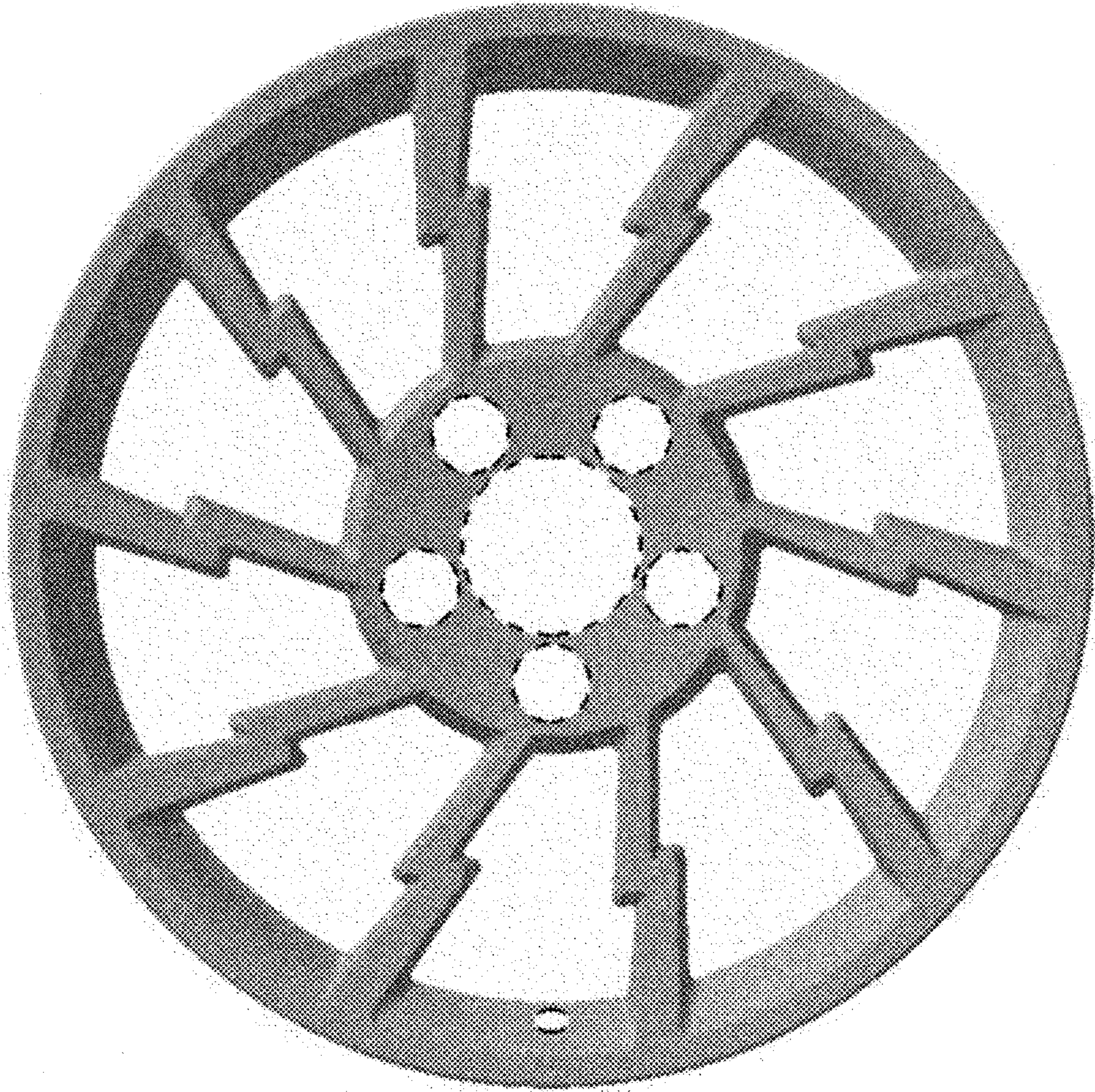


FIG. 1

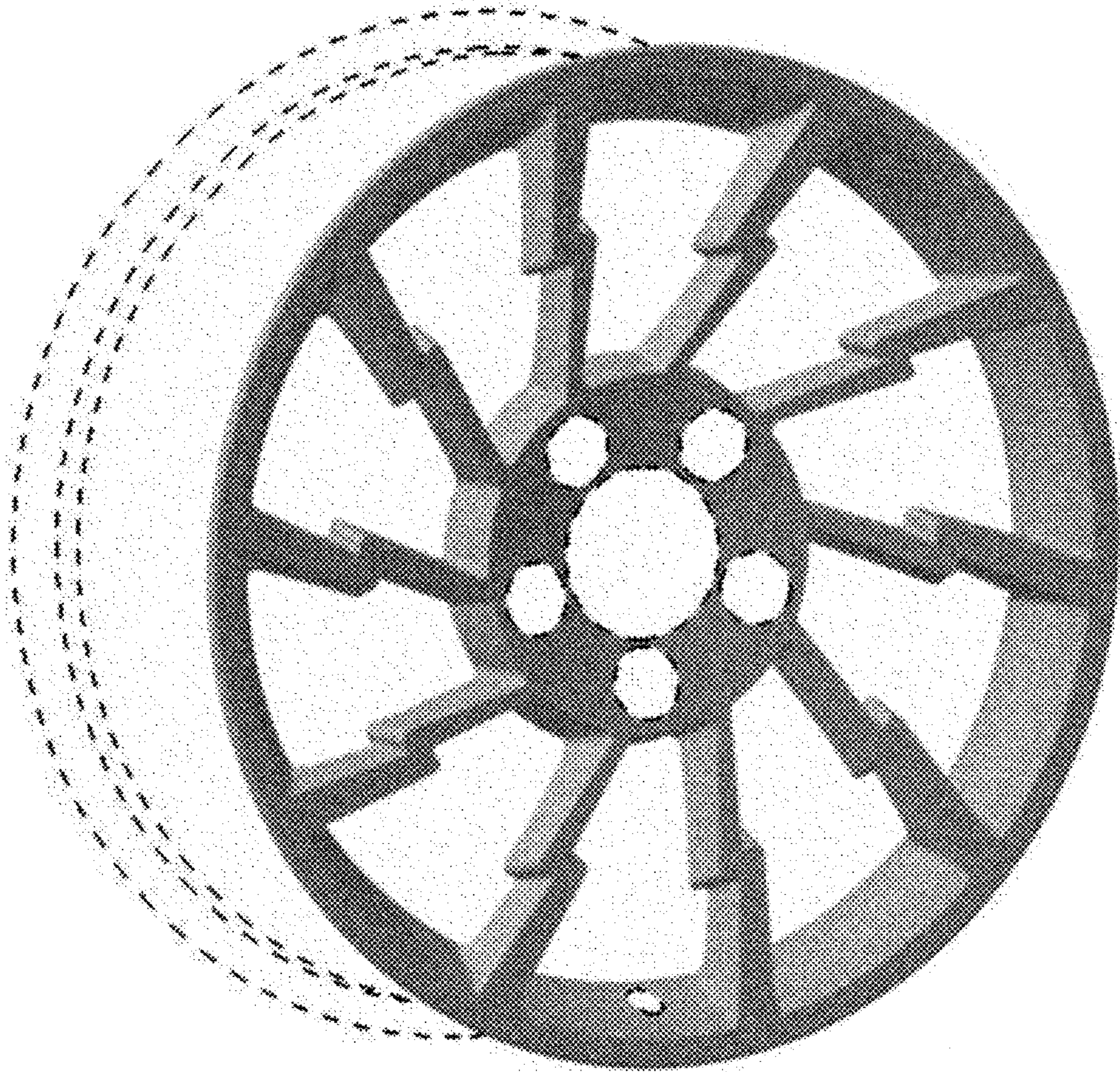


FIG. 2

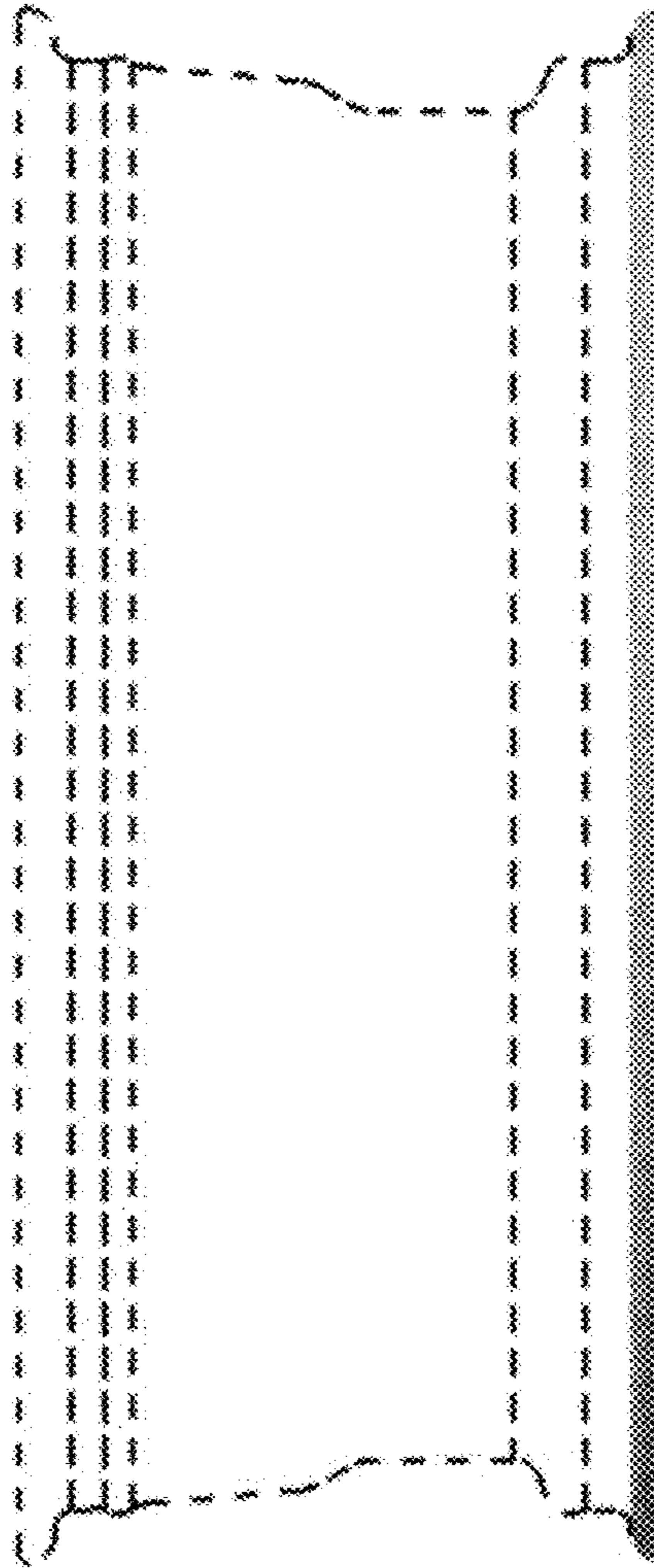


FIG. 3