



US0D1032397S

(12) **United States Design Patent** (10) **Patent No.:** **US D1,032,397 S**  
**Cowden** (45) **Date of Patent:** **\*\* Jun. 25, 2024**

(54) **RING SETTING**

FOREIGN PATENT DOCUMENTS

(71) Applicant: **Mackenzie Cowden**, Dallas, TX (US)

JP D1709267 \* 3/2022  
KR 301182407.0000 \* 9/2022

(72) Inventor: **Mackenzie Cowden**, Dallas, TX (US)

OTHER PUBLICATIONS

(\*\*) Term: **15 Years**

Three Stone Diamond Engagement Ring, available Feb. 2, 2024, online, site visited Feb. 2, 2024. Available online, URL: <https://www.shophydrate.com/products/three-stone-diamond-engagement-ring-1-50ctw> (Year: 2024).\*  
Honolulu Heart, available Feb. 2, 2024, online, site visited Feb. 2, 2024. Available online, URL: <https://mackenziecowden.com/collections/wedding-rings/products/honolulu-heart> (Year: 2024).\*

(21) Appl. No.: **29/825,162**

(22) Filed: **Jan. 28, 2022**

(51) **LOC (14) Cl.** ..... **11-01**

(52) **U.S. Cl.**

USPC ..... **D11/34; D11/91**

(58) **Field of Classification Search**

USPC ..... D11/26–29, 33–39, 91

CPC ..... A44C 9/00; A44C 9/0038; A44C 9/0046;

A44C 9/0084; A44C 9/0092; A44C 9/02

See application file for complete search history.

\* cited by examiner

*Primary Examiner* — W. A. Teddy Falloway

*Assistant Examiner* — Sarah J Ault

(74) *Attorney, Agent, or Firm* — BAKER LAW FIRM

(57) **CLAIM**

The ornamental design for a ring setting, as shown and described.

(56) **References Cited**

**DESCRIPTION**

U.S. PATENT DOCUMENTS

D189,758 S *	2/1961	Gibeault	.....	D11/36
D508,866 S *	8/2005	Shin	.....	D11/34
D513,203 S *	12/2005	Liechtung	.....	D11/35
D580,294 S *	11/2008	Sabet	.....	D11/92
D614,067 S *	4/2010	Vagal	.....	D11/34
D676,348 S *	2/2013	Papadimitriou	.....	D11/34
D843,258 S *	3/2019	Zhou	.....	D11/34
D919,475 S *	5/2021	Shah	.....	D11/91
D922,238 S *	6/2021	Wachtmeister	.....	D11/35
D934,723 S *	11/2021	Bhansali	.....	D11/86
D946,453 S *	3/2022	Riviere	.....	D11/34
D951,802 S *	5/2022	Friedman	.....	D11/35
D963,507 S *	9/2022	Wu	.....	D11/34
D997,022 S *	8/2023	Ling	.....	D11/41

FIG. 1 is a front side elevation of my new design for a ring setting;

FIG. 2 shows a back side thereof

FIG. 3 is a left side thereof;

FIG. 4 is a right side thereof;

FIG. 5 is a top view thereof;

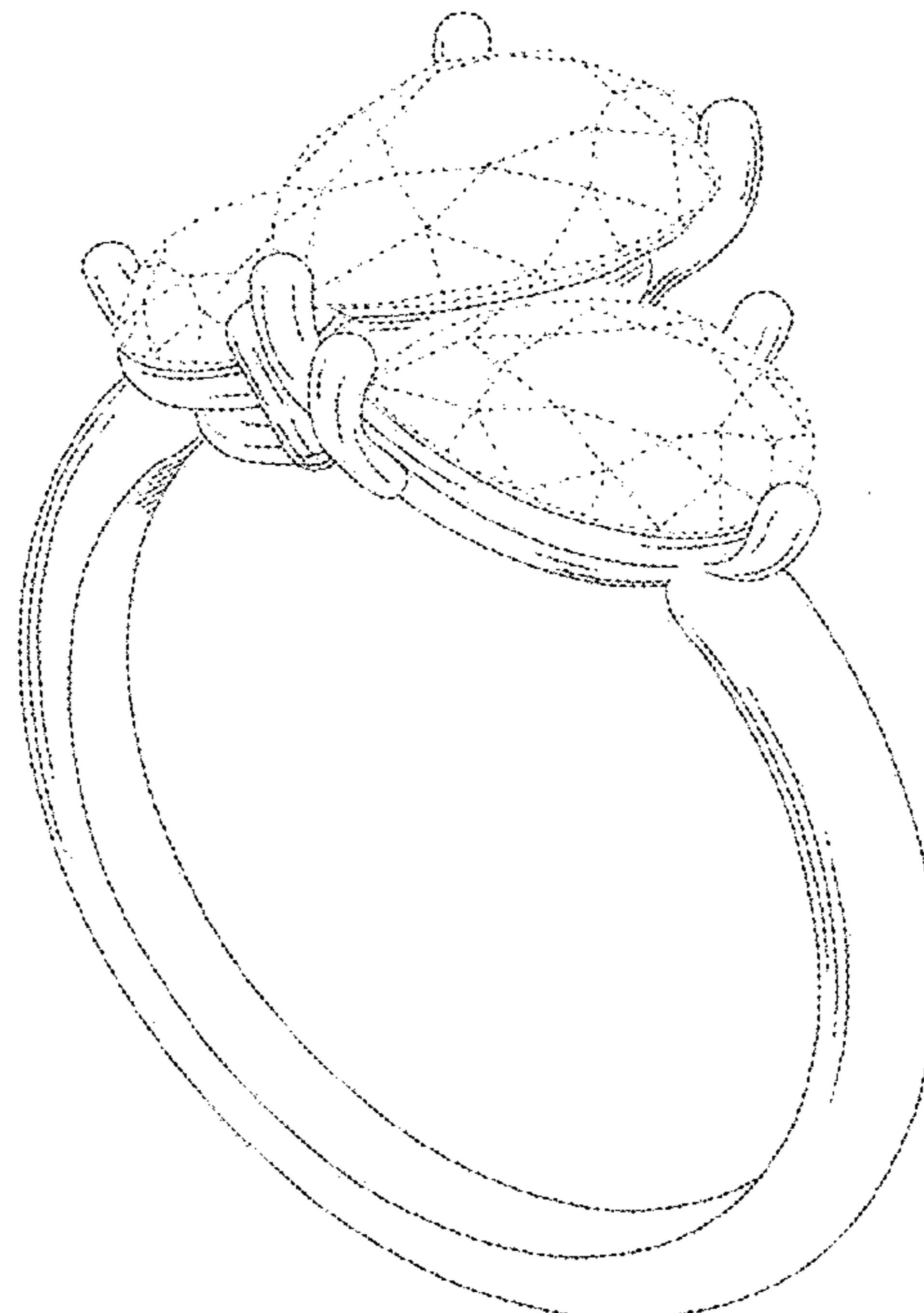
FIG. 6 is a bottom view thereof;

FIG. 7 is a side perspective view thereof; and,

FIG. 8 is a bottom perspective view thereof.

The broken lines shown illustrate environmental structure and form no part of the claimed design.

**1 Claim, 8 Drawing Sheets**



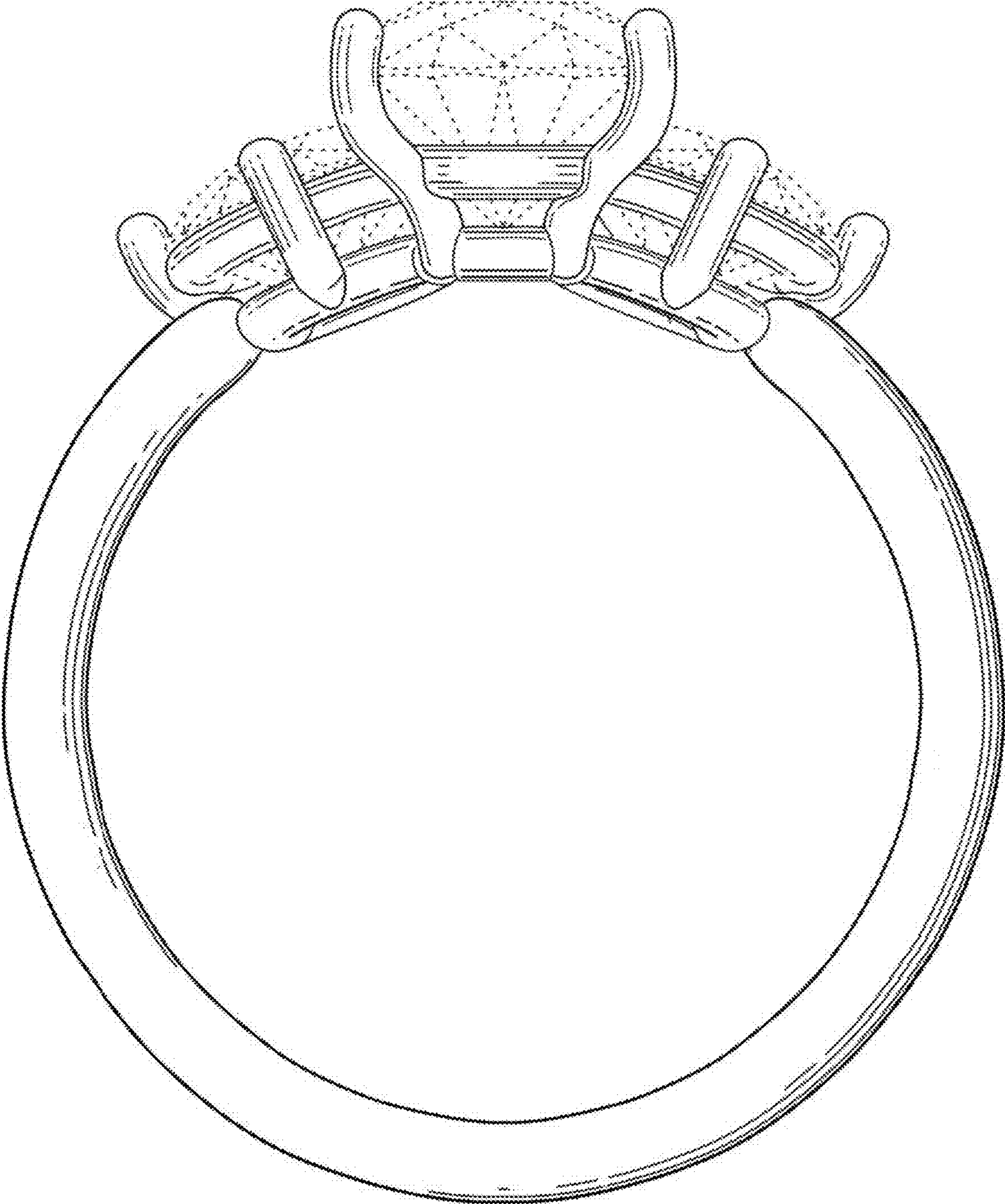


FIG. 1

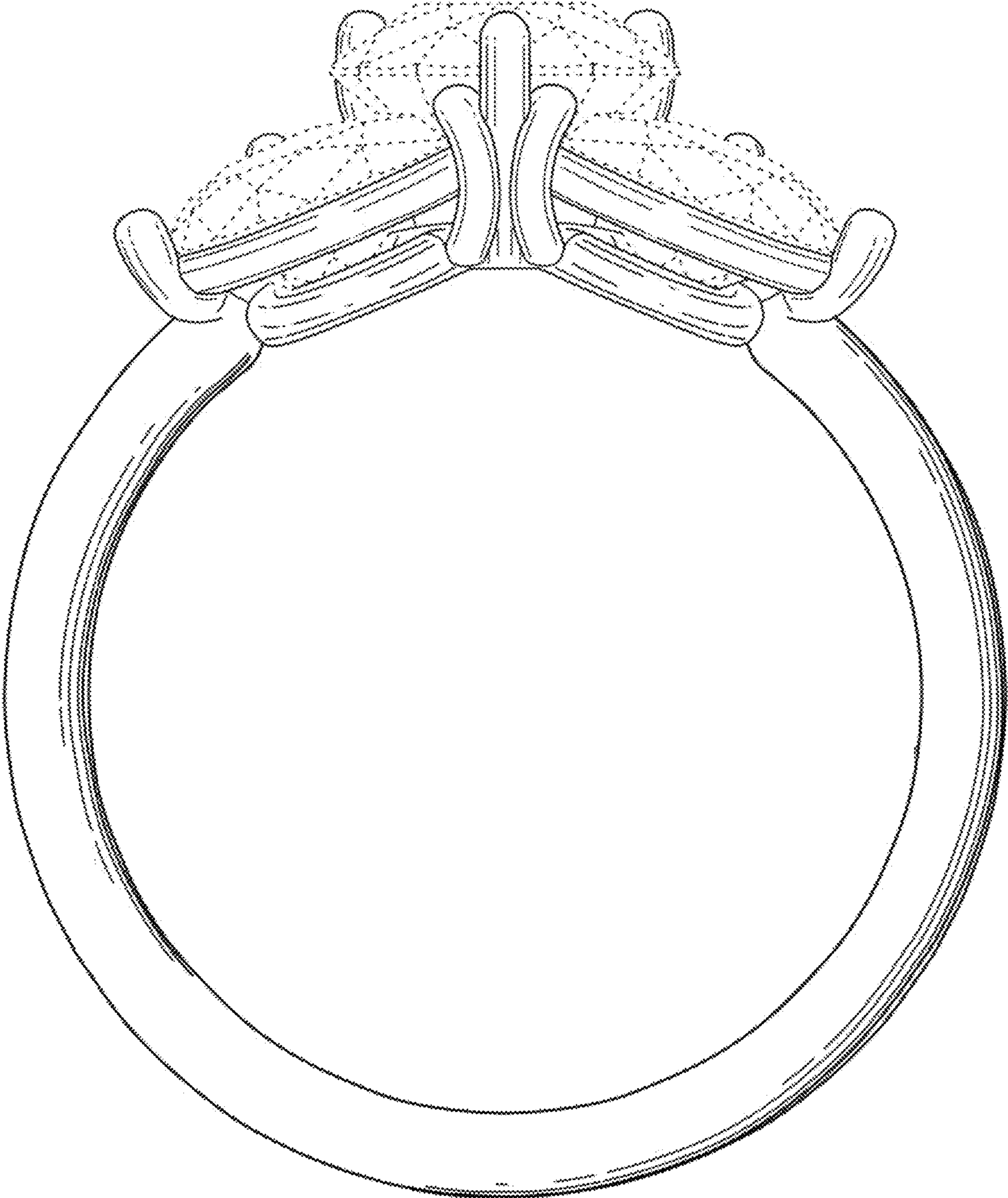


FIG. 2

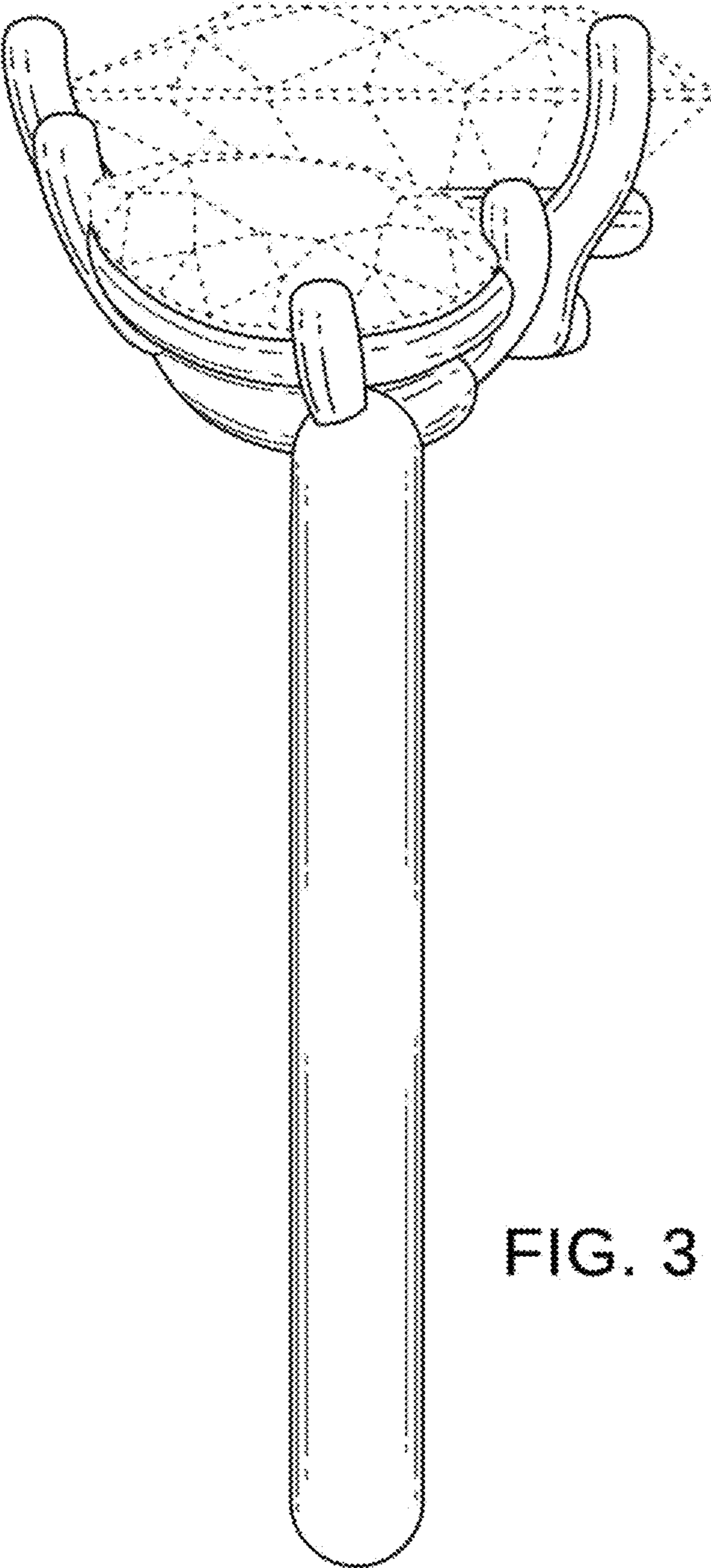


FIG. 3

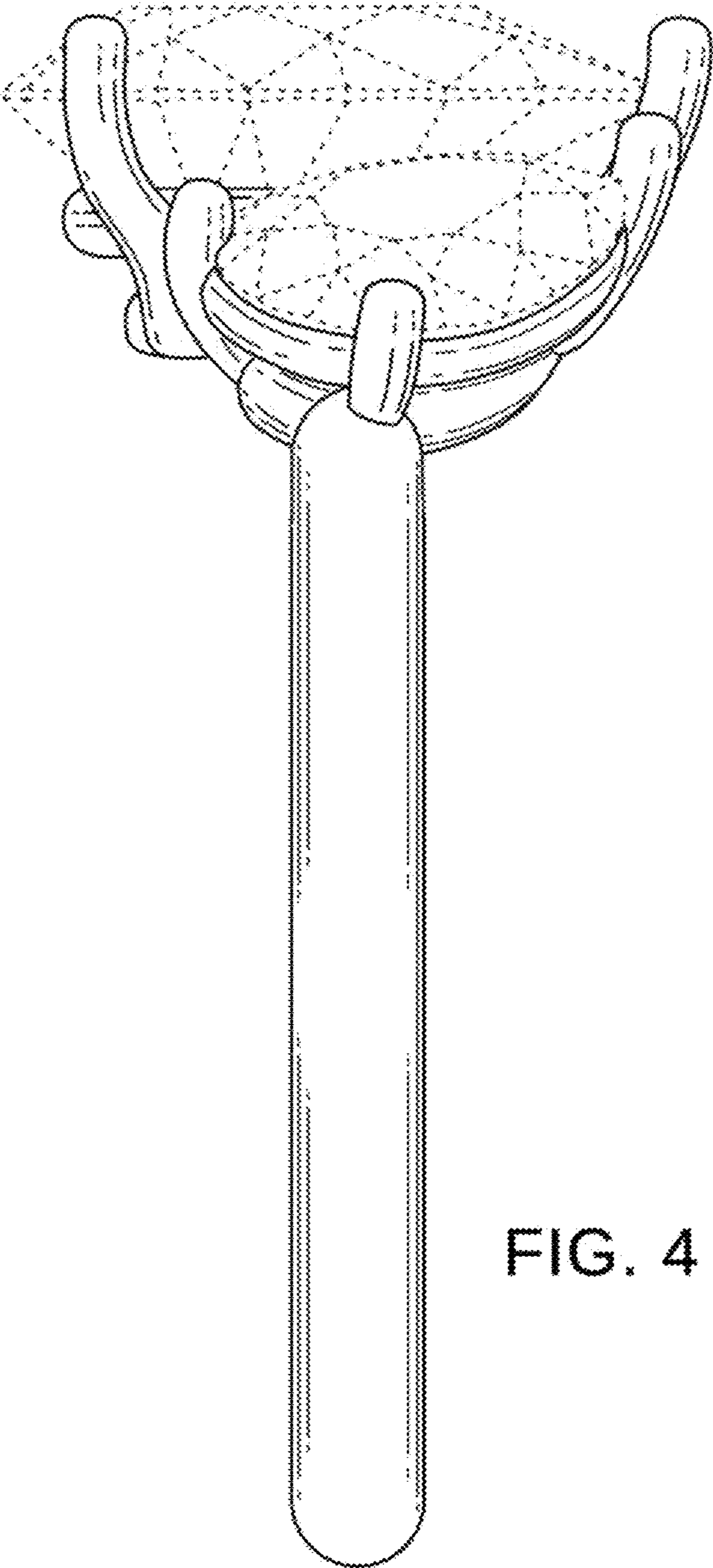


FIG. 4

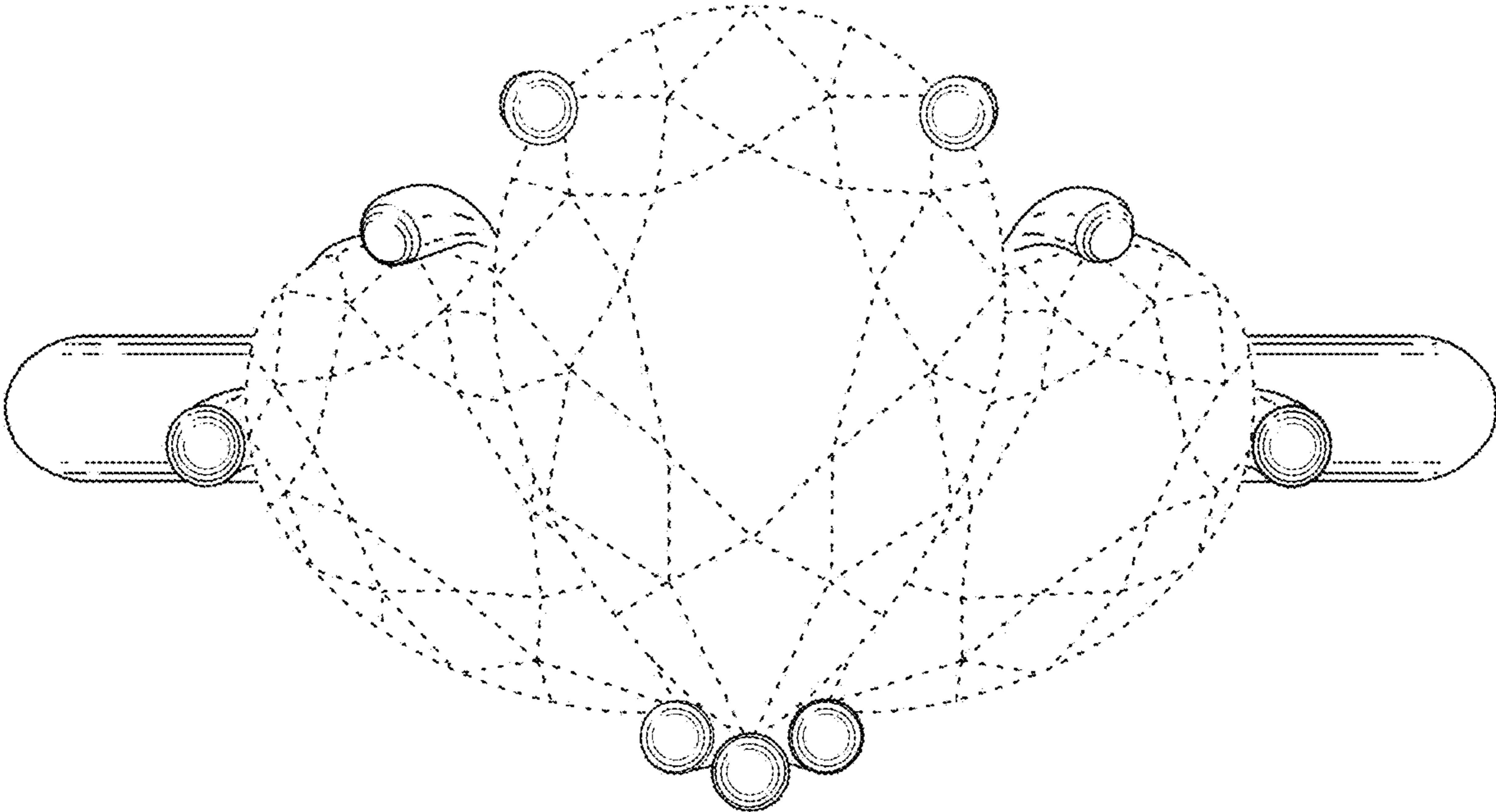


FIG. 5

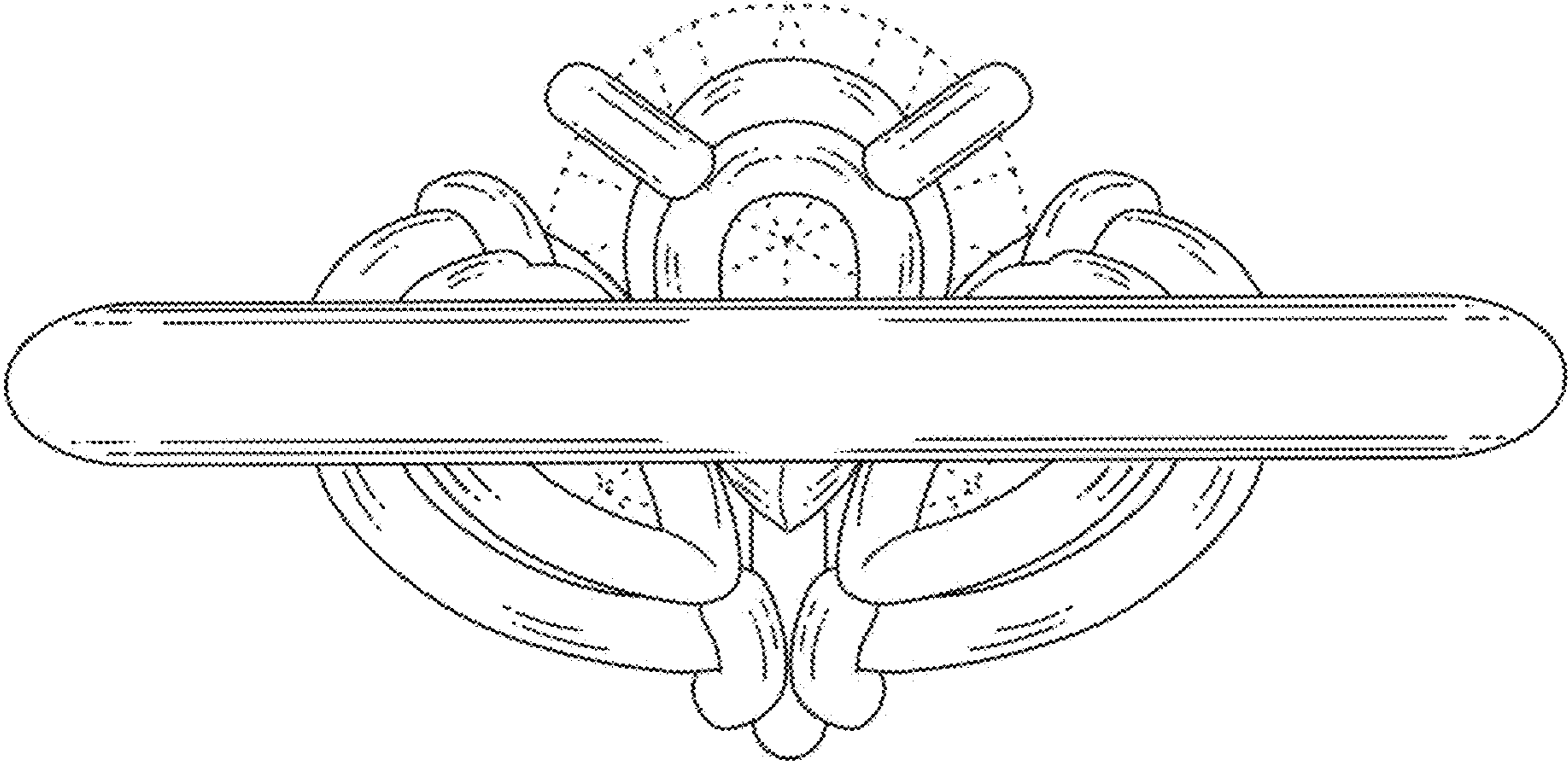


FIG. 6

FIG. 7

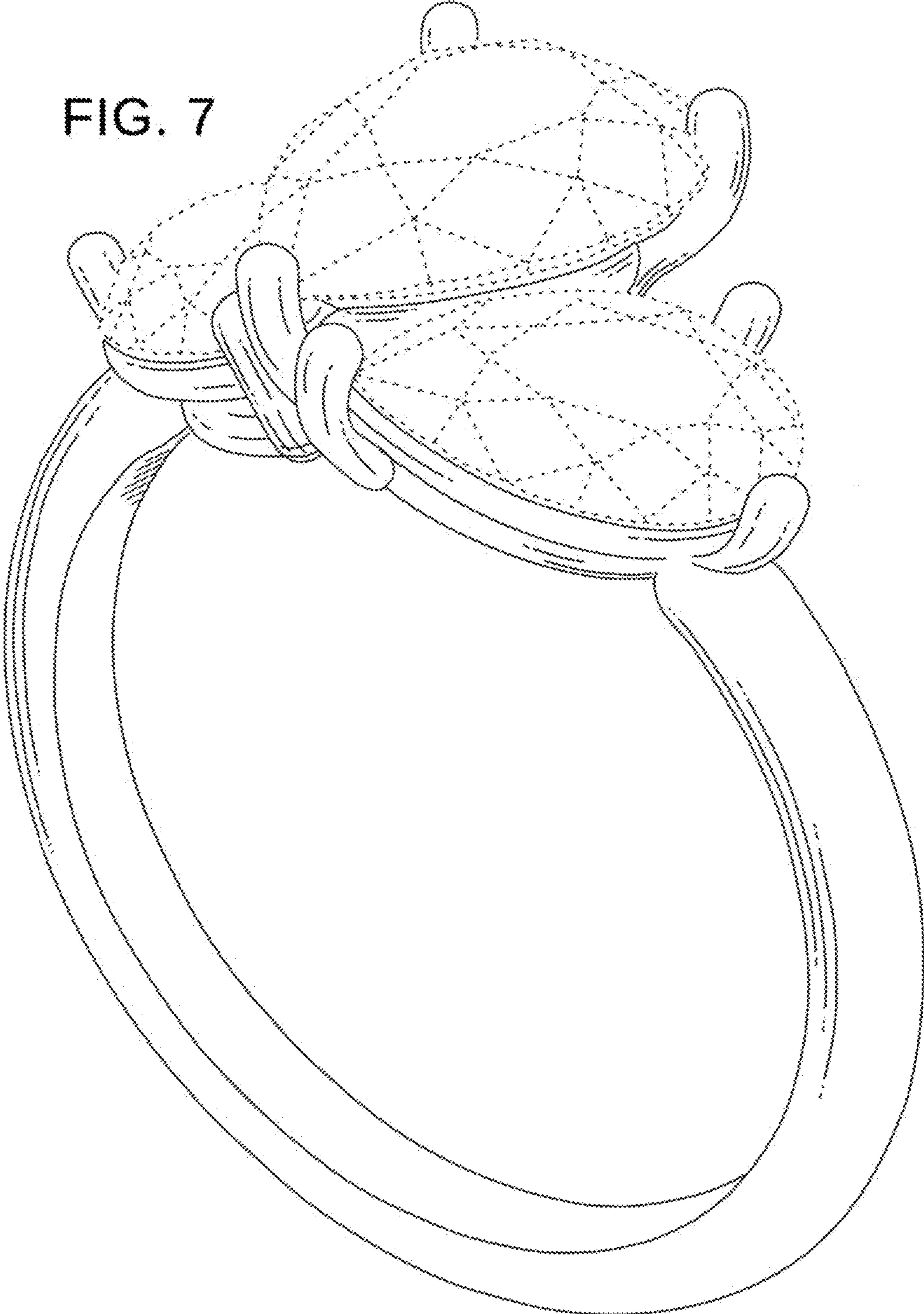




FIG. 8

