



US0D1032330S

(12) **United States Design Patent** (10) **Patent No.:** **US D1,032,330 S**
Parsadayan et al. (45) **Date of Patent:** **** Jun. 25, 2024**

(54) **CLAMP ASSEMBLY FOR A GATE OPERATOR**

(57) **CLAIM**

The ornamental design for a clamp assembly for a gate operator, as shown and described.

(71) Applicants: **Walter Parsadayan**, Newport Coast, CA (US); **Andrew Parsadayan**, Newport Coast, CA (US); **Peter Parsadayan**, Newport Coast, CA (US)

DESCRIPTION

(72) Inventors: **Walter Parsadayan**, Newport Coast, CA (US); **Andrew Parsadayan**, Newport Coast, CA (US); **Peter Parsadayan**, Newport Coast, CA (US)

FIG. 1 is a top view of the clamp assembly in an assembled state.

FIG. 2 is a bottom view of the clamp assembly in an assembled state.

(73) Assignee: **Walter Parsadayan**, Newport Coast, CA (US)

FIG. 3 is a left side view of the clamp assembly in an assembled state.

FIG. 4 is a right side view of the clamp assembly in an assembled state.

(**) Term: **15 Years**

FIG. 5 is a rear view of the clamp assembly in an assembled state.

(21) Appl. No.: **29/783,571**

FIG. 6 is a front view of the clamp assembly in an assembled state.

(22) Filed: **May 13, 2021**

FIG. 7 is a right side rear elevation view of the clamp assembly in an assembled state.

(51) **LOC (14) Cl.** **08-07**

FIG. 8 is a right side front elevation view of the clamp assembly in an assembled state.

(52) **U.S. Cl.**

USPC **D8/339**

FIG. 9 is a left side front elevation view of the clamp assembly in an assembled state.

(58) **Field of Classification Search**

USPC D8/44, 72, 74, 300-302, 305-307, 310, D8/330-332, 338, 339, 341, 343, 394, D8/396; D15/140

FIG. 10 is a top detail view of the clamp assembly without handle.

FIG. 11 is a bottom detail view of the clamp assembly without handle.

(Continued)

FIG. 12 is a front detail view of the clamp assembly without handle.

(56) **References Cited**

U.S. PATENT DOCUMENTS

2,832,627 A * 4/1958 Batchler E05B 65/0007 16/86 A

D190,680 S * 6/1961 Sakhnoffsky D8/367

(Continued)

FIG. 13 is a rear detail view of the clamp assembly without handle.

FIG. 14 is a left side detail view of the clamp assembly without handle.

Primary Examiner — David G Muller

Assistant Examiner — Christina Gabrielle Cosden

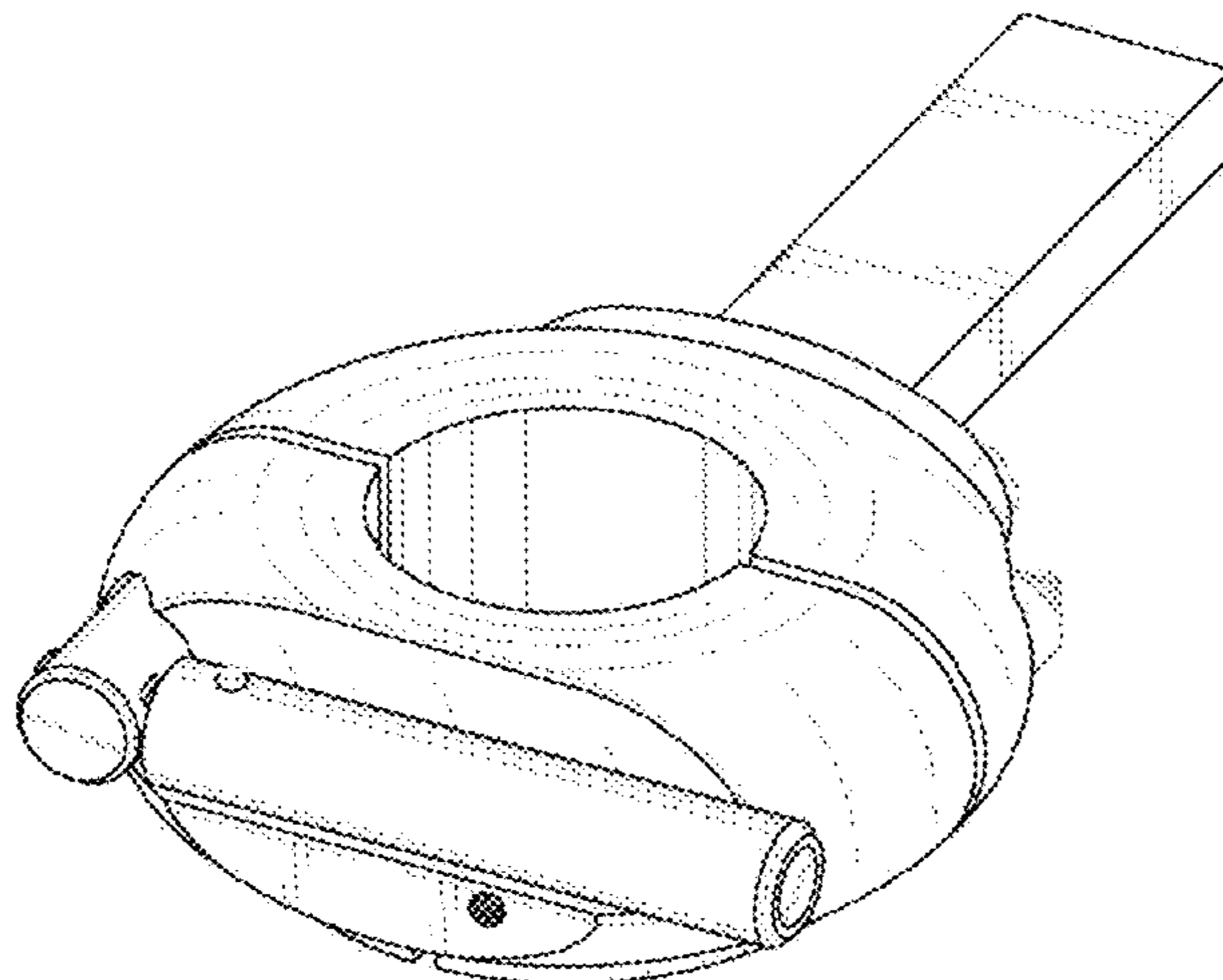
FIG. 15 is a right side detail view of the clamp assembly without handle.

FIG. 16 is a right side rear detail elevation view of the clamp assembly without handle; and,

(74) *Attorney, Agent, or Firm* — Martin Fessenmaier; Umberg Zipser LLP

FIG. 17 is a left side front detail elevation view of the clamp assembly without handle.

(Continued)



The broken lines shown in the Figures show portions of the clamp assembly for a gate operator that form no part of the claimed design.

1 Claim, 17 Drawing Sheets

(58) **Field of Classification Search**

CPC E05Y 2900/40; E06B 11/02; E06B 11/04;
E06B 11/021

See application file for complete search history.

(56) **References Cited**

U.S. PATENT DOCUMENTS

3,524,668 A * 8/1970 Westmoreland, Jr.
E05B 65/0007
292/228
4,784,363 A * 11/1988 Brown F16L 55/035
248/62
D309,094 S * 7/1990 Donis D23/265
D367,809 S * 3/1996 Groves D8/339
D438,783 S * 3/2001 Elliott F16L 23/10
D8/396
D516,415 S * 3/2006 Friedline D8/380
D553,971 S * 10/2007 Krueger D8/396
8,220,113 B2 * 7/2012 Morton F16L 23/10
285/411
D711,730 S * 8/2014 McKiernan D8/396
D711,731 S * 8/2014 Sugiura D17/22
D892,606 S * 8/2020 Sullivan D8/382
D969,200 S * 11/2022 Lin D16/242

* cited by examiner

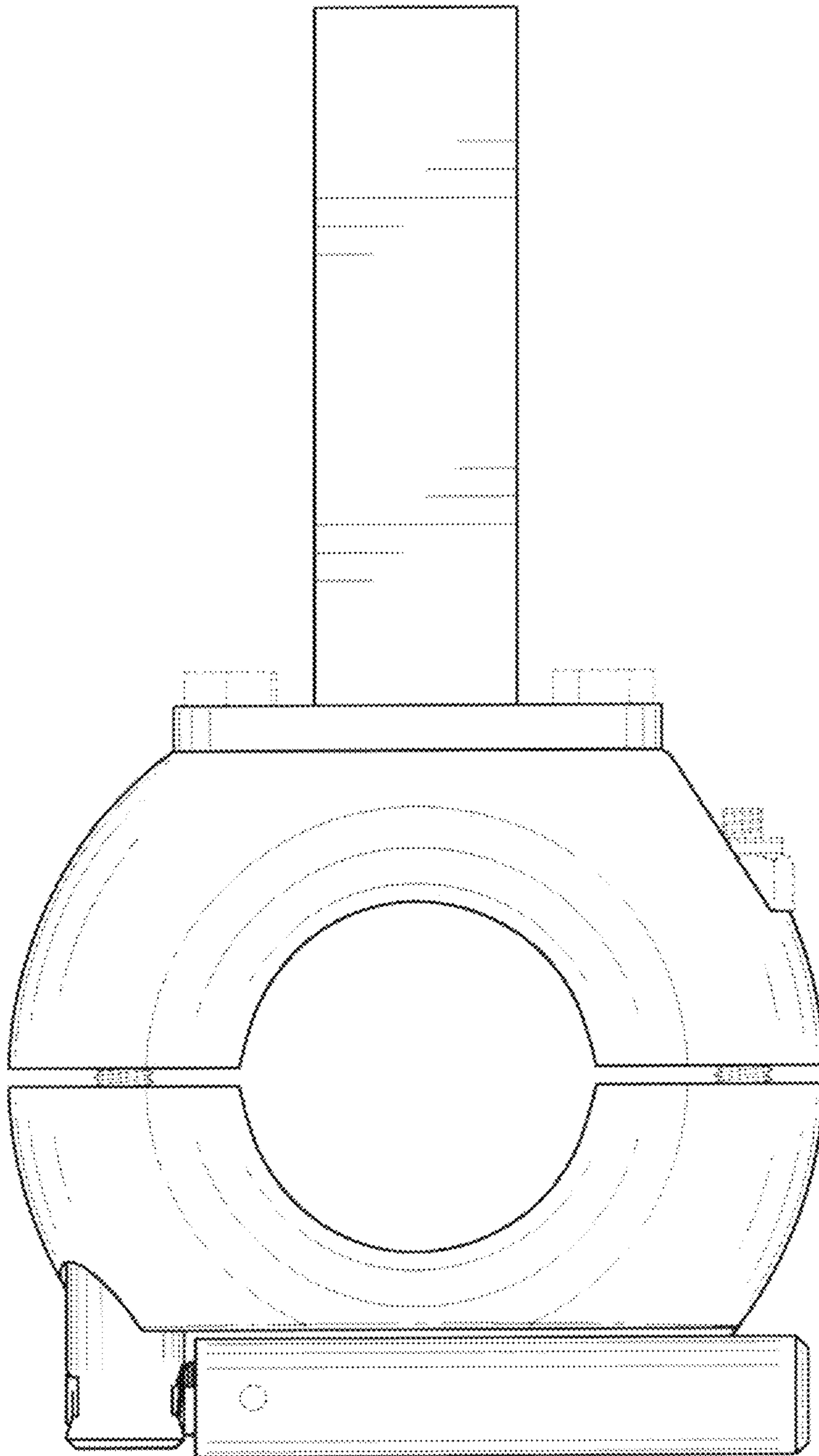


FIG. 1

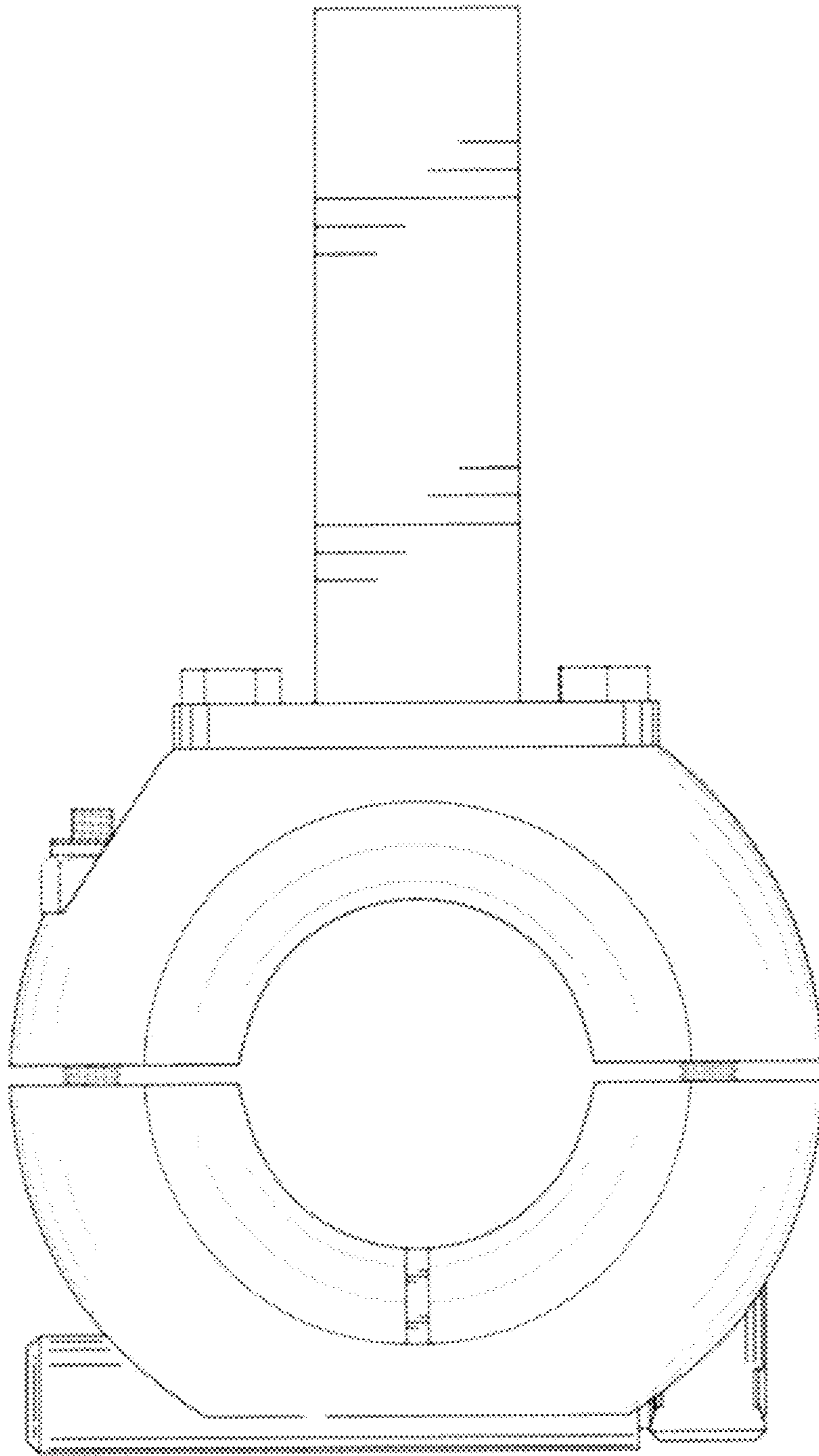


FIG. 2

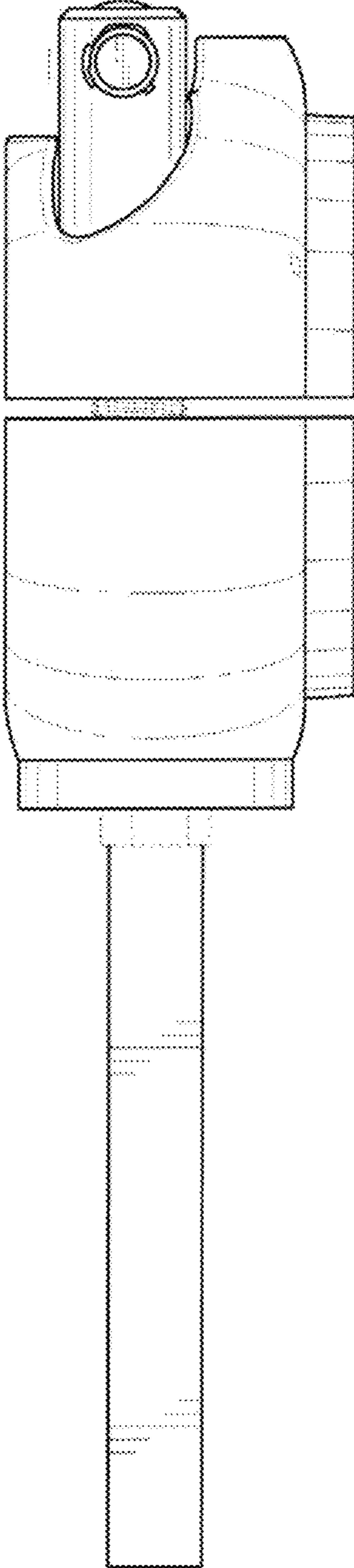


FIG. 3

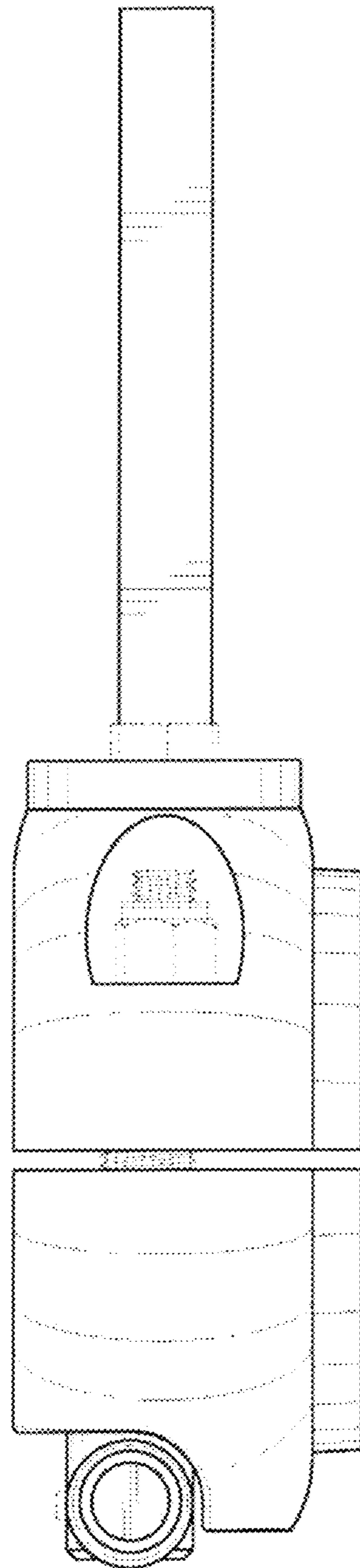


FIG. 4

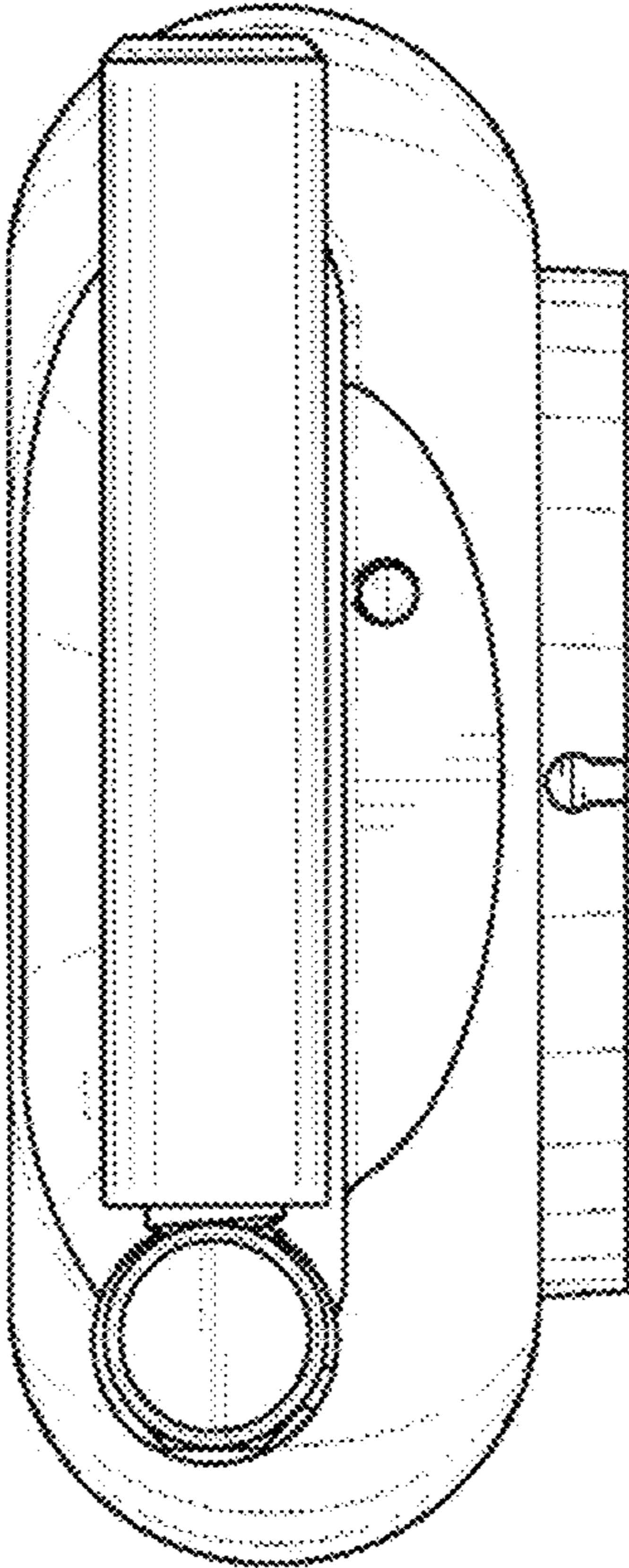


FIG. 5

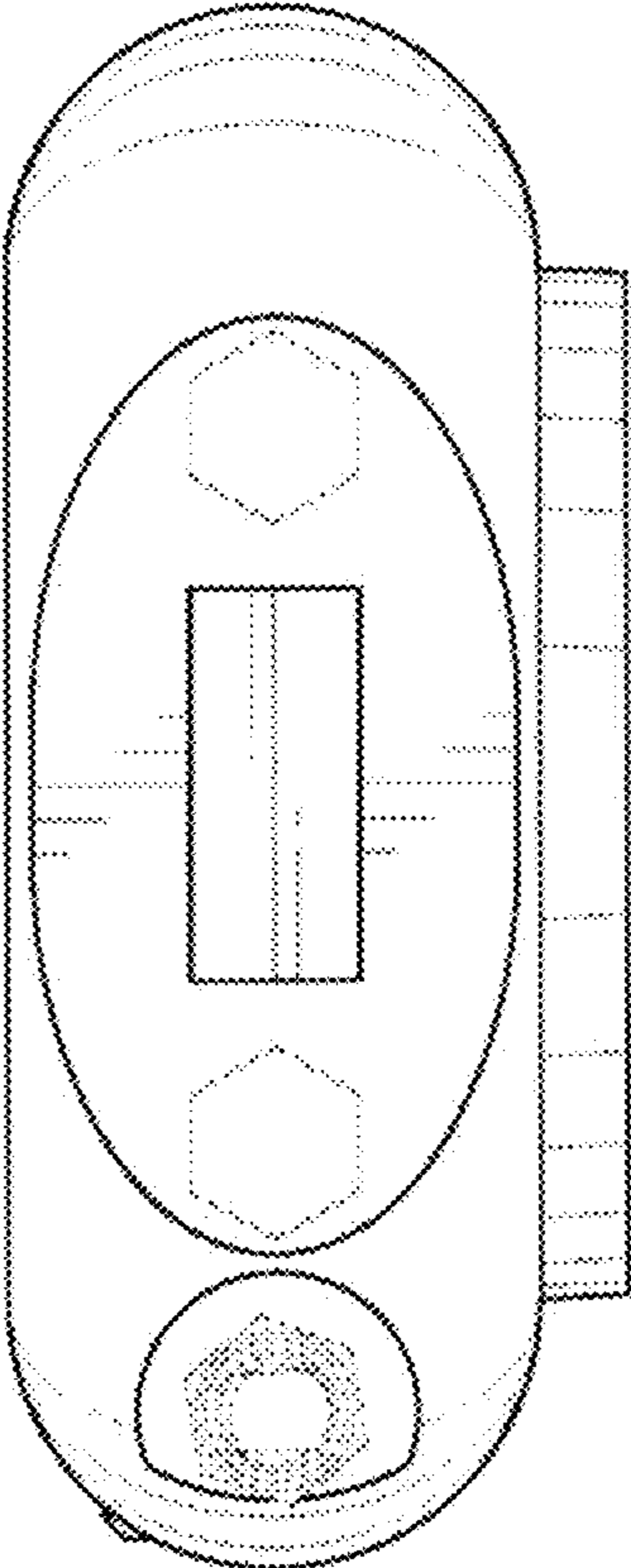


FIG. 6

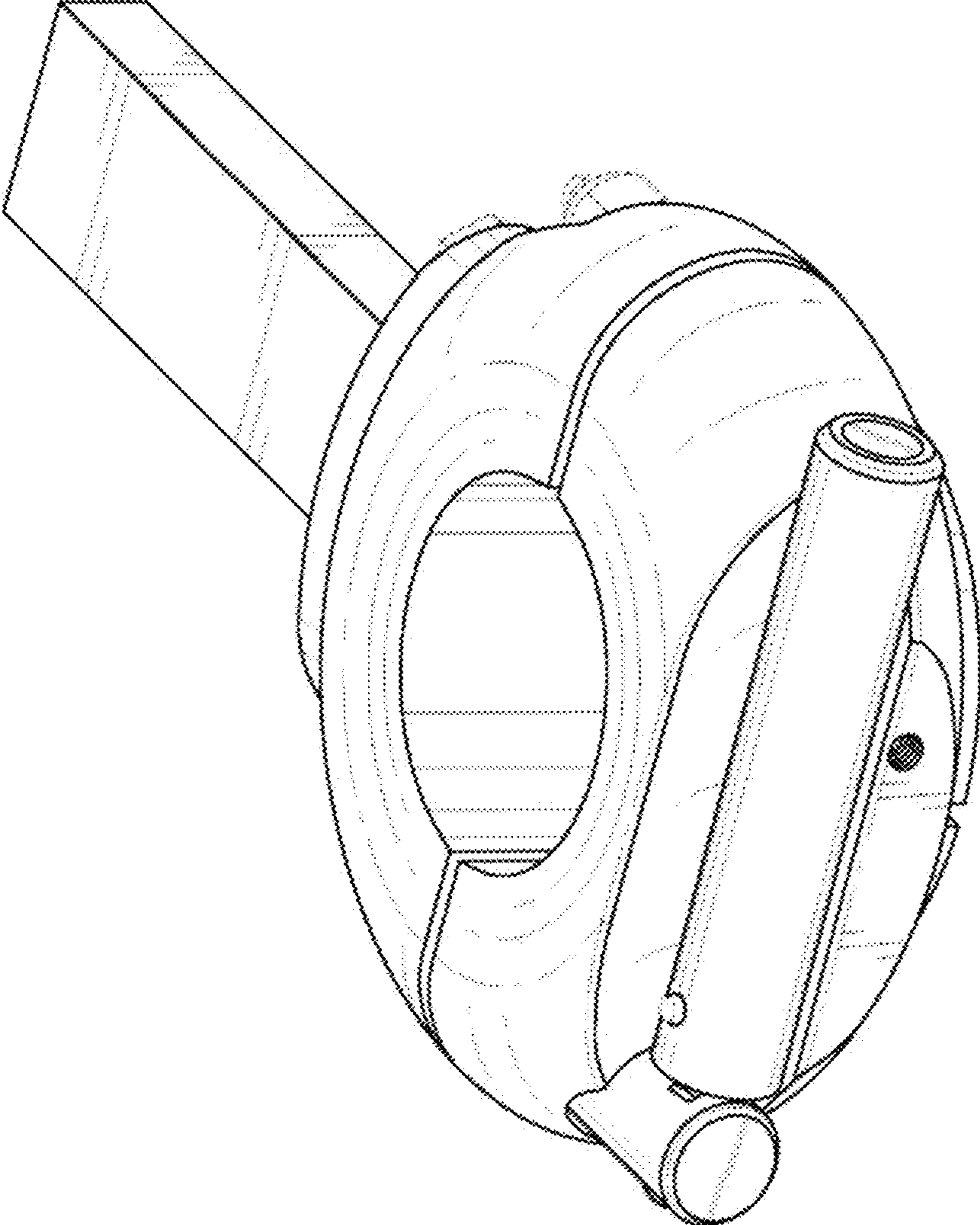


FIG. 7

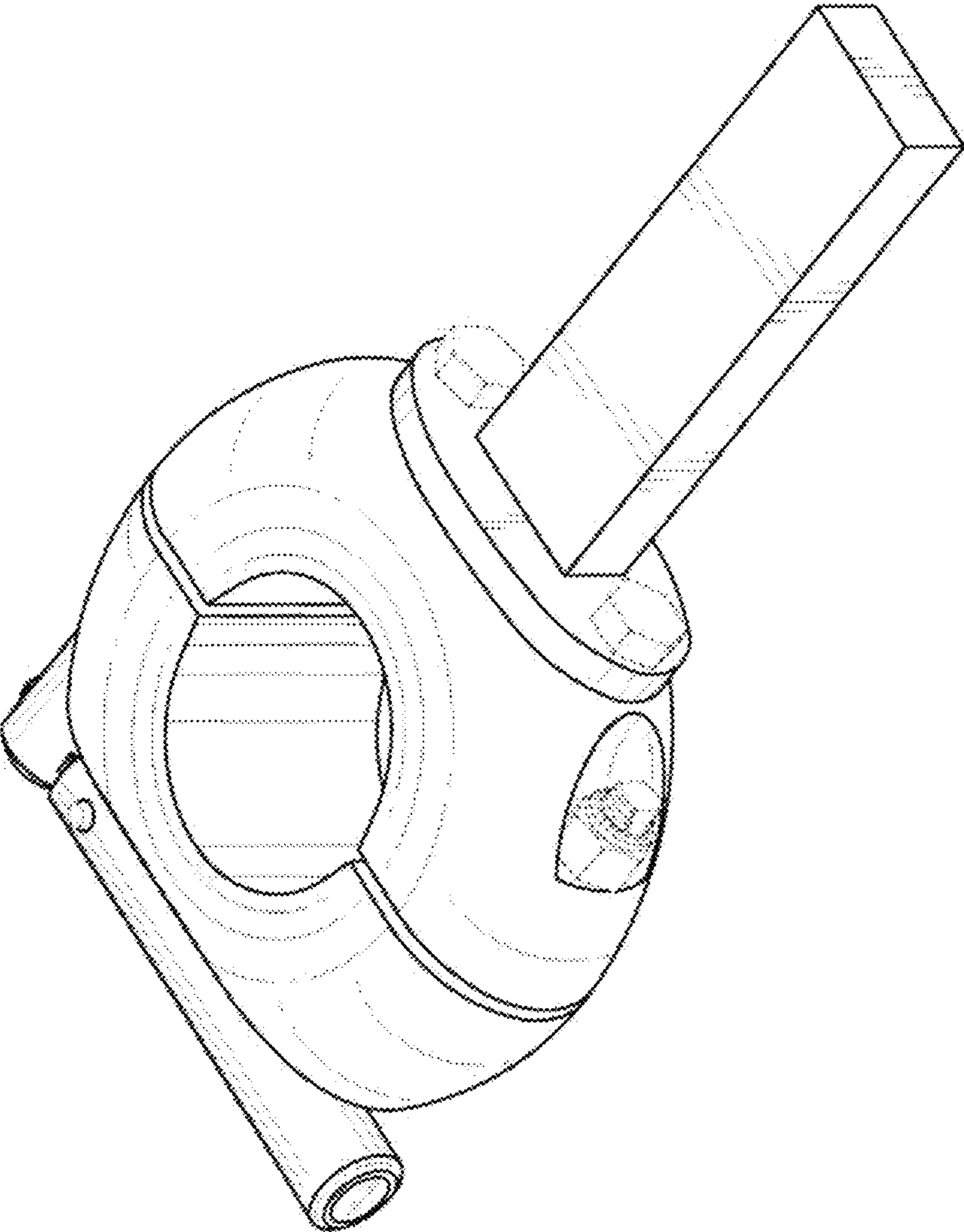


FIG. 8

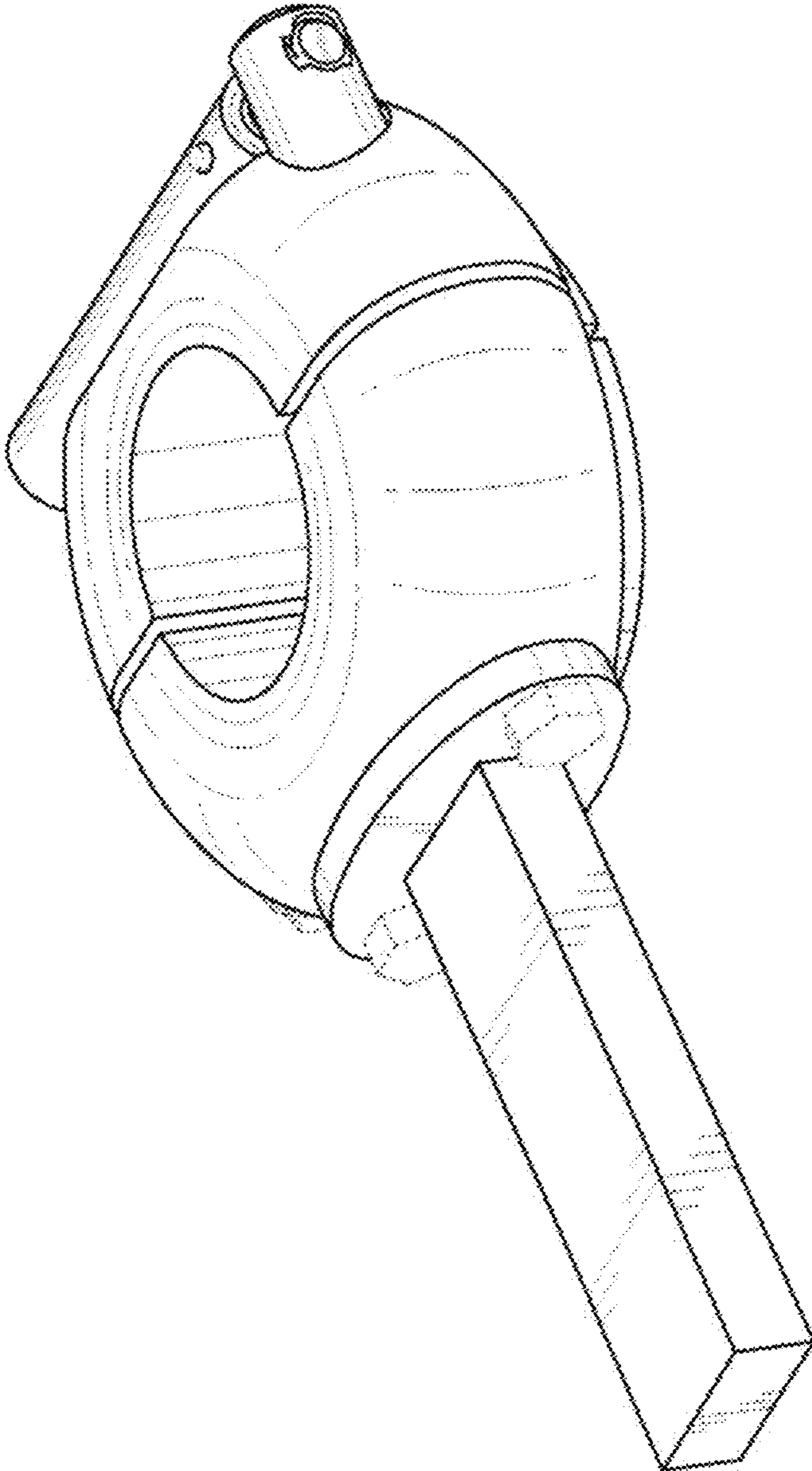


FIG. 9

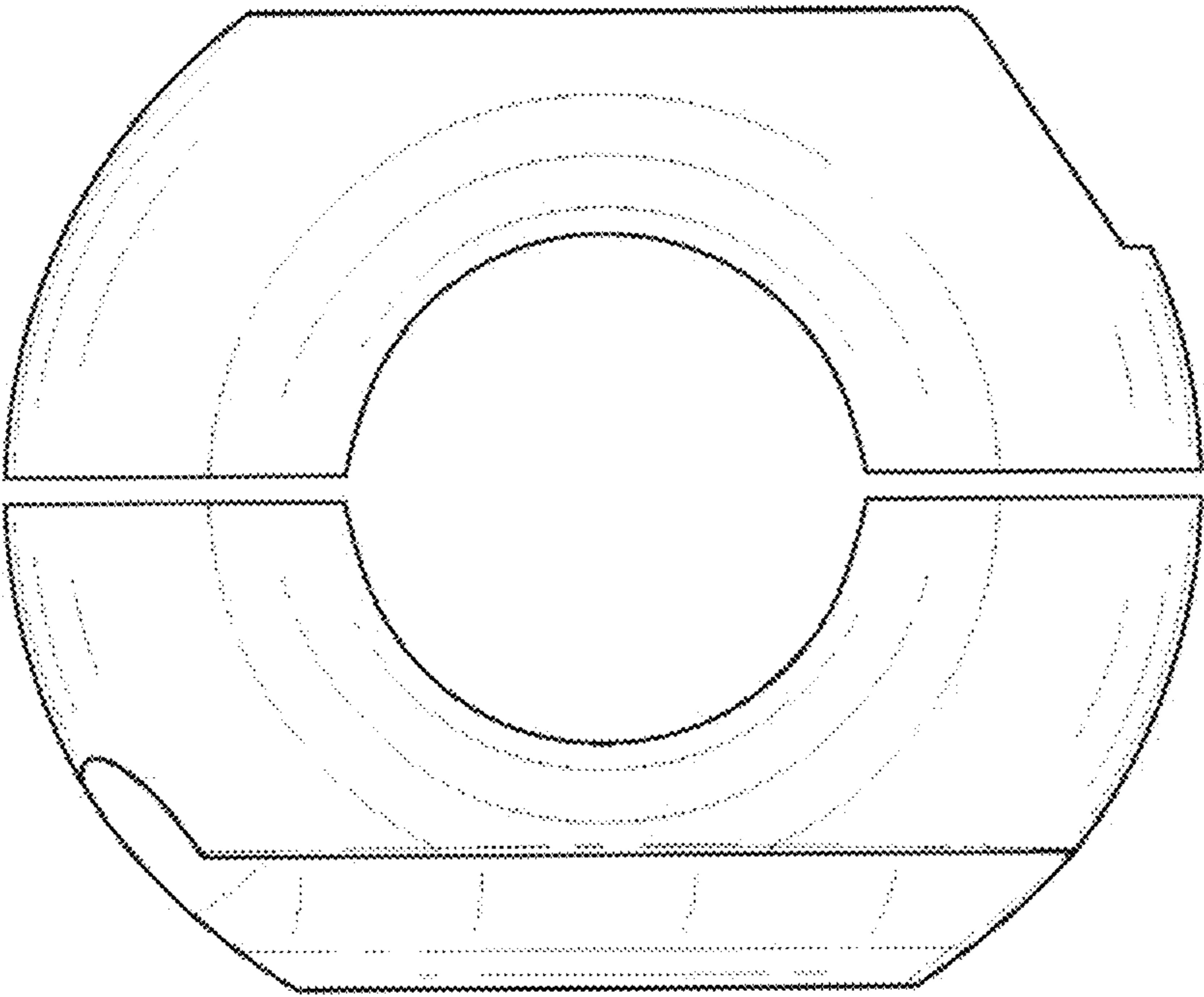


FIG. 10

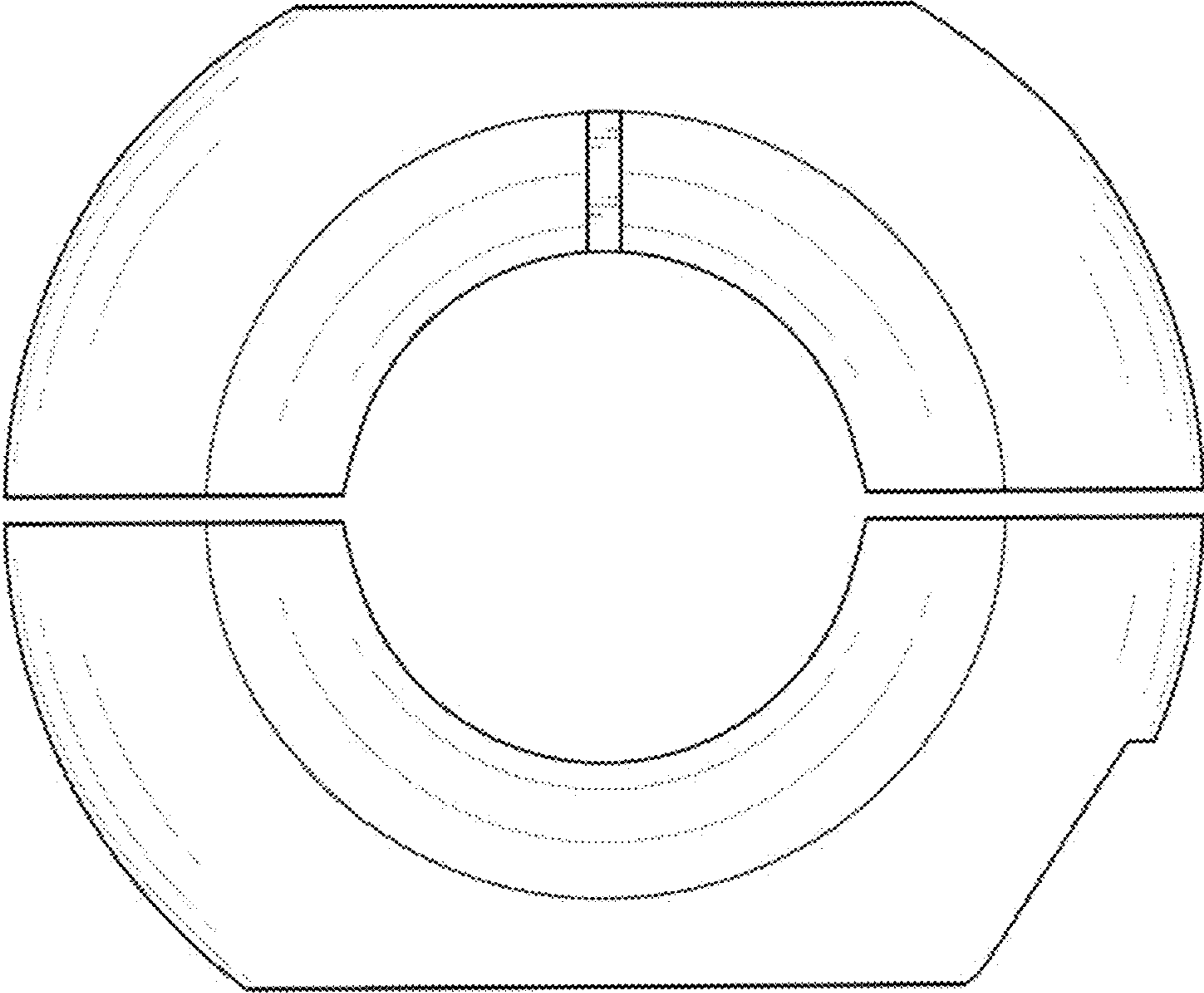


FIG. 11

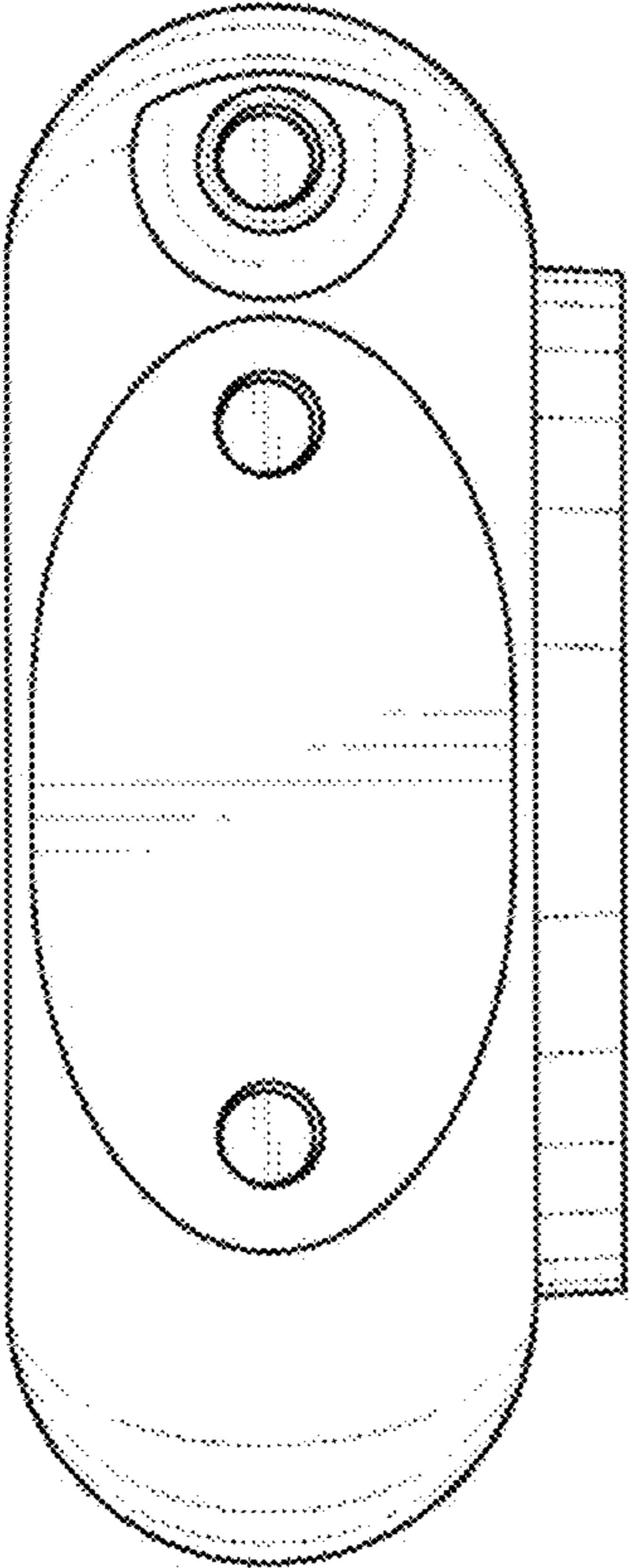


FIG. 12

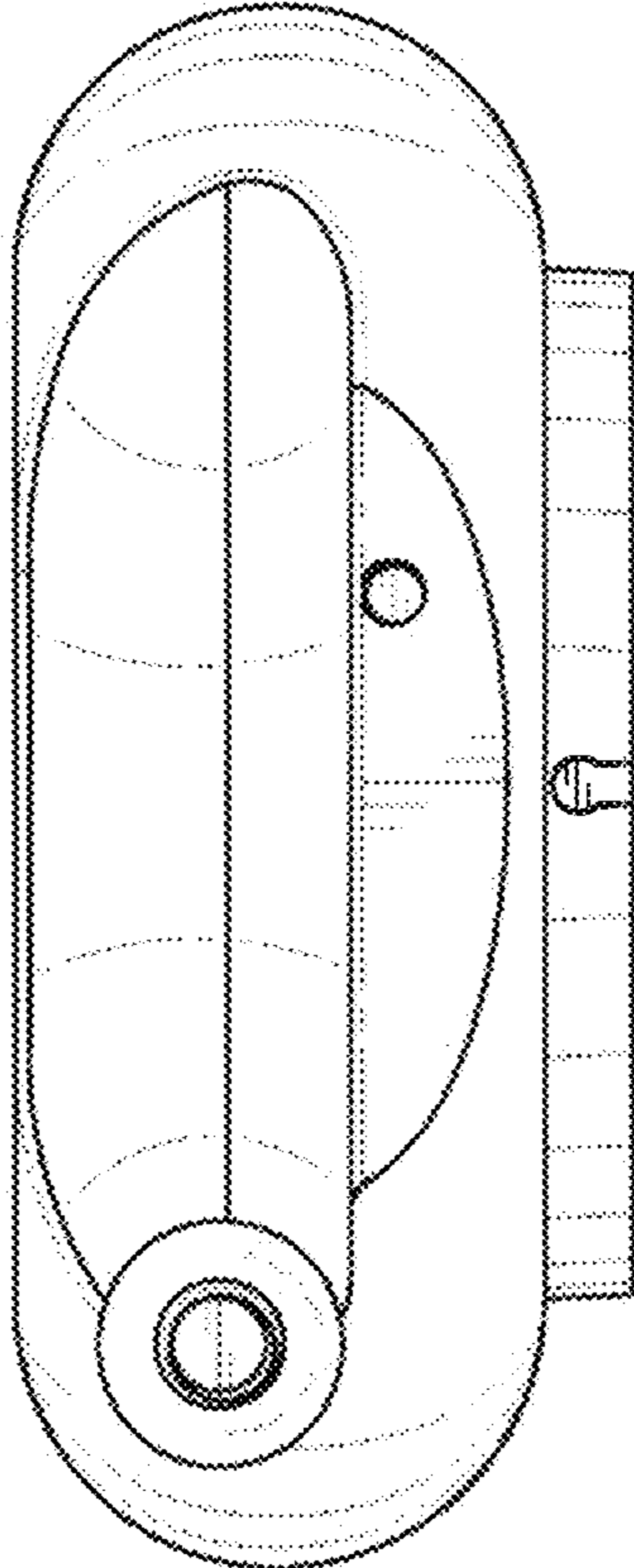


FIG. 13

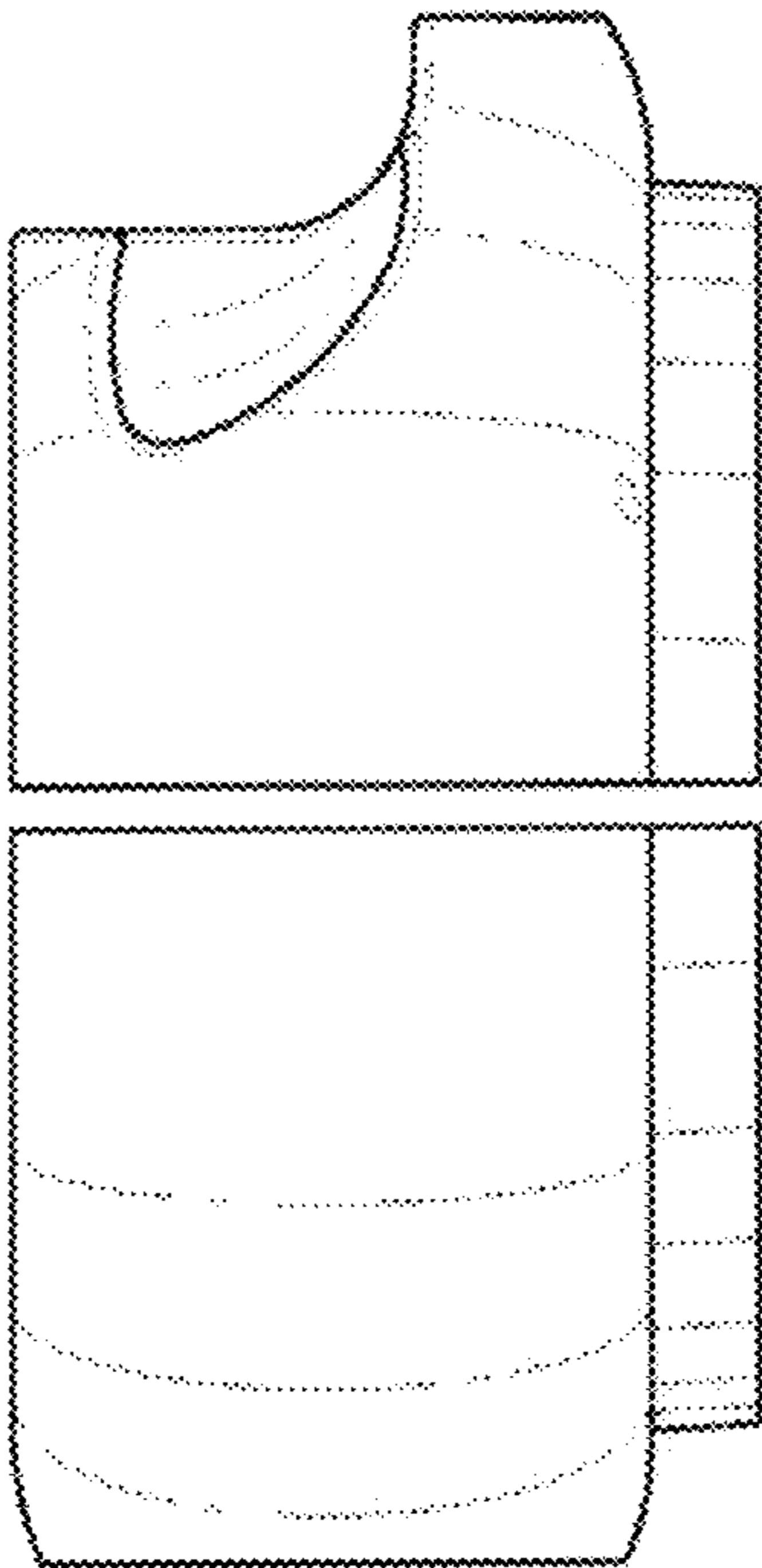


FIG. 14

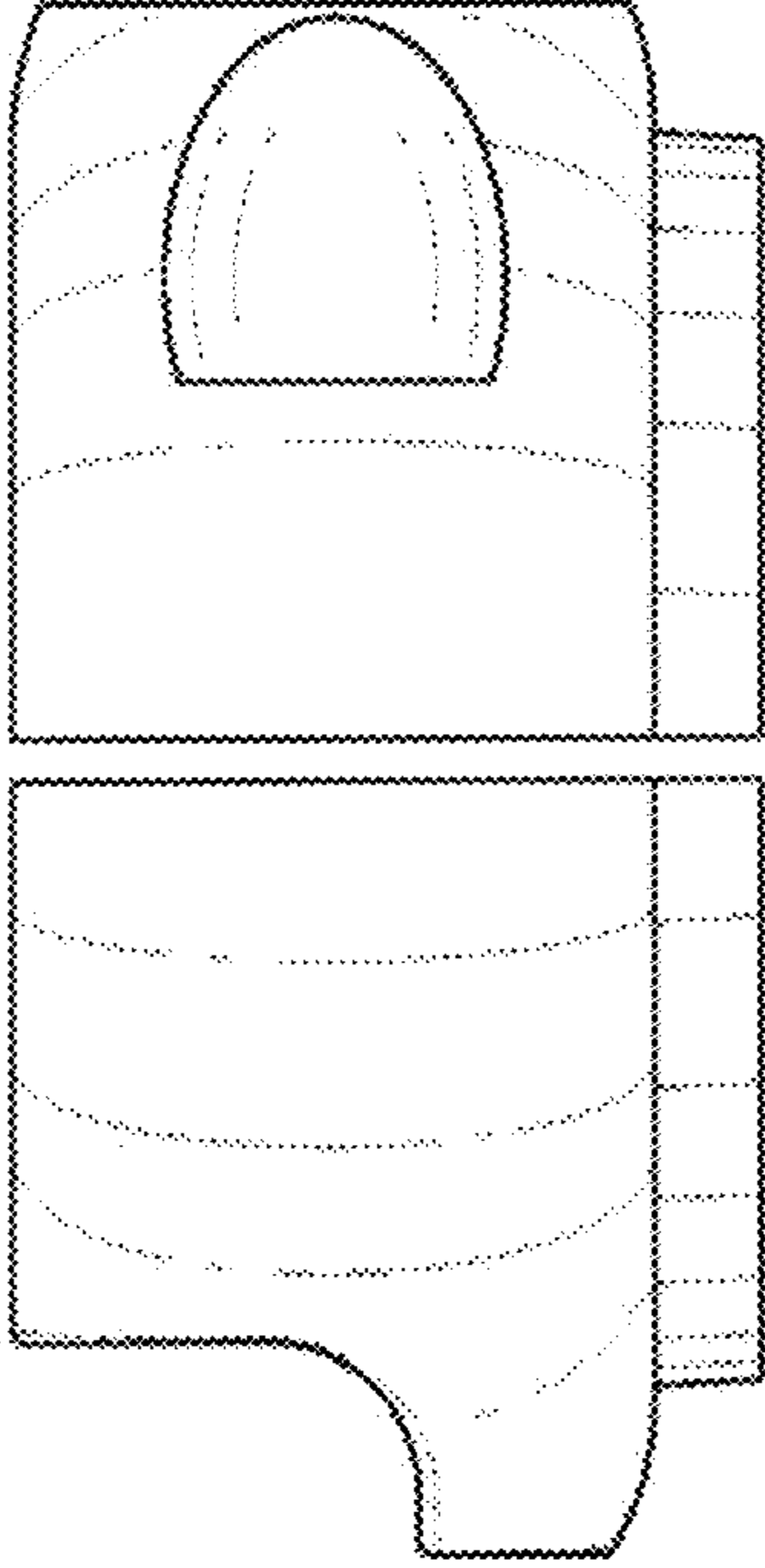


FIG. 15

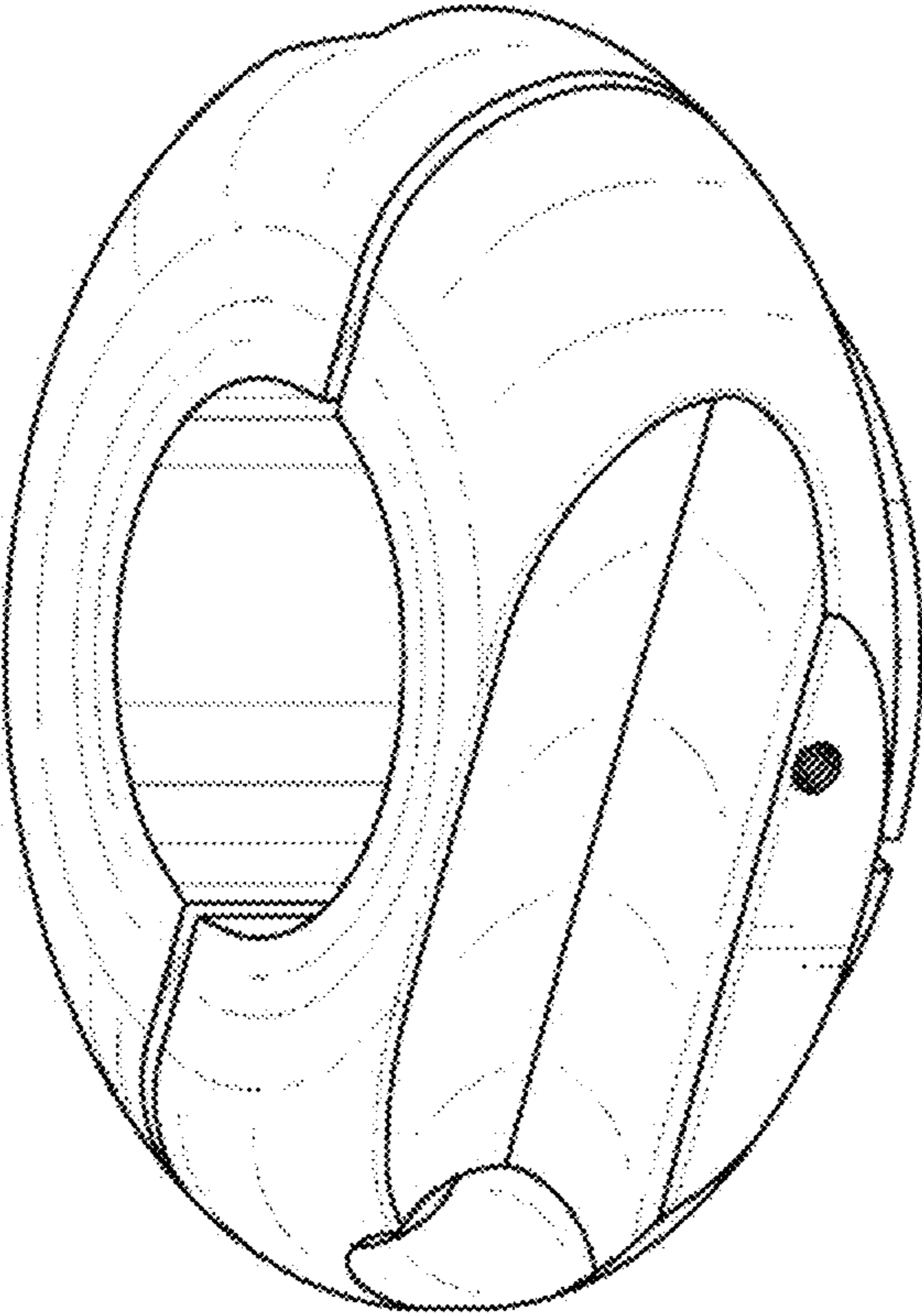


FIG. 16

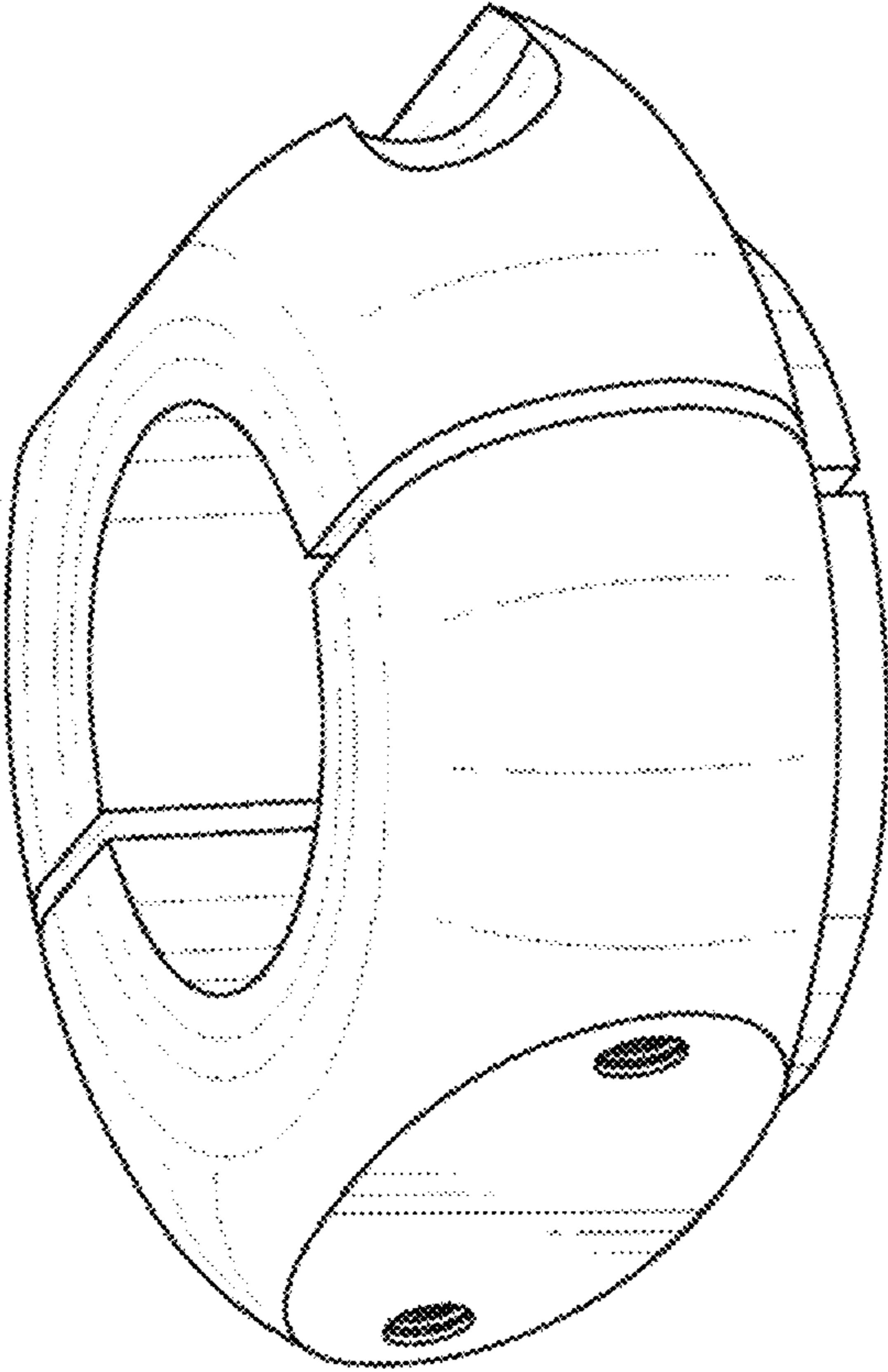


FIG. 17