



US0D1032247S

(12) **United States Design Patent** (10) **Patent No.:** **US D1,032,247 S**  
**Moore** (45) **Date of Patent:** **\*\* Jun. 25, 2024**

(54) **VARIABLE HEIGHT DESK**

FOREIGN PATENT DOCUMENTS

(71) Applicant: **Mateo Goods Co.**, Tempe, AZ (US)

CA 2348060 11/2002  
CA 2840843 12/2013

(72) Inventor: **Matthew Moore**, Phoenix, AZ (US)

(Continued)

(73) Assignee: **Mateo Goods Co.**, Tempe, AZ (US)

OTHER PUBLICATIONS

(\*\*) Term: **15 Years**

All Sit / Sitstand Desks by Mateo Goods, first available: Unknown. hellomateogoods.com [online], [site visited Apr. 13, 2022], Internet URL: <https://hellomateogoods.com/collections/all> (Year: 2022).

(21) Appl. No.: **29/863,553**

(Continued)

(22) Filed: **Dec. 20, 2022**

**Related U.S. Application Data**

(63) Continuation of application No. 29/745,347, filed on Aug. 5, 2020, now Pat. No. Des. 975,475.

(51) **LOC (14) Cl.** ..... **06-03**

(52) **U.S. Cl.**

USPC ..... **D6/656**

(58) **Field of Classification Search**

USPC ..... D6/648-656, 690-694

CPC ..... A47B 17/006; A47B 17/66; A47B 17/02;

A47B 17/04; A47B 13/003; A47B 88/00;

A47B 2210/19; A47B 88/90; A47B 1/08;

A47B 13/00; A47B 13/02; A47B

2003/008; A47B 83/045; A47B 83/04;

A47B 21/02; A47B 1/00; A47B 7/00;

A47B 9/00; A47B 19/00; A47B 19/06;

A47B 2021/0307; A47B 21/00; A47B

21/03; A47B 2021/0364; A47B 11/00

See application file for complete search history.

(56) **References Cited**

U.S. PATENT DOCUMENTS

D128,791 S 8/1941 Ullery  
2,560,957 A 7/1951 Johnson  
D164,584 S 9/1951 Koegel  
2,636,224 A 4/1953 Murdoch  
3,113,531 A 12/1963 Barnard

(Continued)

*Primary Examiner* — Mary Ann Calabrese

*Assistant Examiner* — Hillary Catherine Shepard

(74) *Attorney, Agent, or Firm* — Esplin & Associates, PC

(57) **CLAIM**

The ornamental design for a variable height desk, as shown and described.

**DESCRIPTION**

FIG. 1 is a right, front, and top perspective view of a variable height desk in a lowered position;

FIG. 2 is a front view of the variable height desk in the lowered position;

FIG. 3 is a rear view of the variable height desk in the lowered position;

FIG. 4 is a left-side view of the variable height desk in the lowered position;

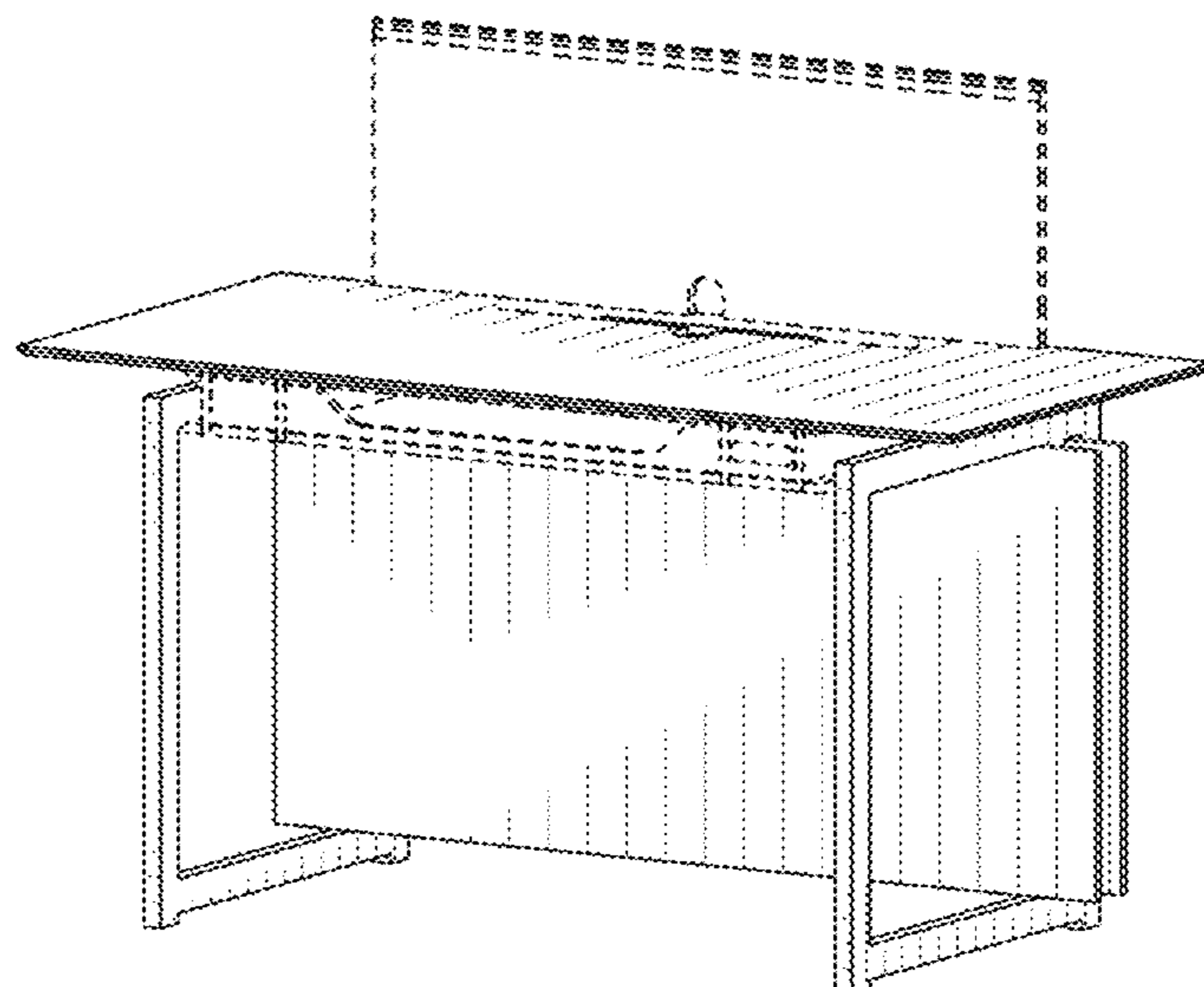
FIG. 5 is a right-side view of the variable height desk in the lowered position;

FIG. 6 is a top view of the variable height desk in the lowered position; and,

FIG. 7 is a right, front, and top perspective view of a variable height desk in a raised position.

The broken lines in the drawings depict portions of the article that form no part of the claimed design.

**1 Claim, 7 Drawing Sheets**



(56)

References Cited

U.S. PATENT DOCUMENTS

D208,256 S 8/1967 Rich  
 D216,204 S 12/1969 Hess  
 D243,192 S 1/1977 Clayton  
 D243,300 S 2/1977 Christensen  
 D258,789 S \* 4/1981 Verdesca ..... D6/655.17  
 D260,716 S 9/1981 Cohen  
 D261,713 S 11/1981 Curatolo  
 D262,763 S 1/1982 Lerner  
 D262,846 S 2/1982 Chaiken  
 D267,690 S 1/1983 Verdesca  
 D278,583 S 4/1985 Koguma  
 D282,023 S \* 1/1986 Sottsass ..... D6/655.21  
 D285,394 S 9/1986 Curran  
 D286,832 S 11/1986 Matthews  
 4,651,652 A 3/1987 Wyckoff  
 4,668,026 A 5/1987 Lapeyre  
 D297,987 S 10/1988 Borsos  
 4,790,611 A 12/1988 Craner  
 D305,585 S 1/1990 Wright  
 D305,838 S 2/1990 Bienenstock  
 4,969,403 A 11/1990 Schwartz  
 4,987,835 A 1/1991 Schwartz  
 D314,289 S 2/1991 Schaelling  
 5,083,514 A 1/1992 Schwartz  
 D330,469 S 10/1992 Brodbeck  
 D340,816 S 11/1993 Lee  
 D345,062 S 3/1994 Brandon  
 5,322,025 A 6/1994 Sherman  
 5,363,775 A 11/1994 Simpson  
 D368,812 S 4/1996 Lee  
 5,544,593 A 8/1996 Canfield  
 5,720,185 A 2/1998 Lee  
 D393,958 S 5/1998 Moncourtois  
 5,791,265 A 8/1998 Ellsworth  
 D399,683 S \* 10/1998 Nicklas ..... D6/656.16  
 6,070,956 A 6/2000 Yates  
 D441,566 S 5/2001 Martin  
 6,286,441 B1 9/2001 Burdi  
 6,398,326 B1 6/2002 Wang  
 D473,728 S \* 4/2003 Chang ..... D6/655  
 6,708,627 B1 3/2004 Wood  
 D489,200 S 5/2004 Antonioni  
 D496,183 S 9/2004 Savage  
 6,796,247 B1 9/2004 Iglseider  
 D516,340 S 3/2006 Chang  
 D538,068 S \* 3/2007 Newhouse ..... D6/655.17  
 D546,103 S 7/2007 Eyman  
 D552,900 S 10/2007 Wilenius  
 7,331,296 B1 2/2008 Wood  
 7,398,738 B2 7/2008 Newhouse  
 D596,876 S 7/2009 Oshinomi  
 D610,840 S 3/2010 Kato  
 7,789,251 B1 9/2010 Clark  
 7,866,622 B2 1/2011 Dittmer  
 7,975,626 B1 7/2011 Wang  
 D647,324 S 10/2011 Kincaid  
 D653,862 S 2/2012 Hairston  
 D677,943 S 3/2013 Mendoza  
 D724,364 S 3/2015 Demars  
 8,985,032 B1 3/2015 Johnson  
 D730,658 S 6/2015 Dillon  
 9,277,806 B2 3/2016 Hallman  
 D761,577 S 7/2016 Agati  
 D773,219 S 12/2016 Clouse

9,593,481 B2 3/2017 Gosling  
 D788,496 S 6/2017 Yamamoto  
 9,723,919 B1 8/2017 Randolph  
 9,980,559 B2 5/2018 Randolph  
 10,034,538 B1 7/2018 Masters  
 D853,759 S 7/2019 Moore  
 D863,833 S 10/2019 Moore  
 10,561,233 B1 2/2020 Lin  
 10,701,067 B1 6/2020 Ziraknejad  
 10,939,752 B2 3/2021 Moore  
 11,844,426 B1 \* 12/2023 Moore ..... A47B 21/02  
 2002/0050234 A1 5/2002 Lechman  
 2004/0123782 A1 7/2004 Korber  
 2004/0173125 A1 9/2004 Chang  
 2004/0237852 A1 12/2004 Tsai  
 2005/0016080 A1 1/2005 Williams  
 2006/0185564 A1 8/2006 Stengel  
 2006/0230992 A1 10/2006 Newhouse  
 2007/0044692 A1 3/2007 Zimmer  
 2008/0018211 A1 1/2008 Dye  
 2008/0284292 A1 11/2008 Castelluccio  
 2008/0284293 A1 11/2008 Martin  
 2009/0094913 A1 4/2009 Singh  
 2015/0319161 A1 11/2015 Dimmick  
 2016/0128469 A1 5/2016 Matthai  
 2016/0260019 A1 9/2016 Riquelme Ruiz  
 2016/0353876 A1 12/2016 Mitchell  
 2016/0360879 A1 12/2016 Kelley  
 2017/0251806 A1 9/2017 Newman  
 2018/0168334 A1 6/2018 Swartz  
 2018/0360207 A1 12/2018 Neudeck  
 2019/0023298 A1 1/2019 Carzola  
 2019/0125075 A1 5/2019 Soulliere  
 2019/0172025 A1 6/2019 Vieri  
 2019/0223586 A1 7/2019 Hansen  
 2019/0374023 A1 12/2019 Allen  
 2020/0178683 A1 6/2020 O'Gara  
 2020/0297269 A1 9/2020 Vieri  
 2020/0329860 A1 10/2020 Xiang  
 2020/0329861 A1 10/2020 Zhang  
 2021/0011453 A1 1/2021 Xiang  
 2021/0342822 A1 11/2021 Lau  
 2022/0031062 A1 2/2022 Albert  
 2022/0218102 A1 7/2022 Isgar  
 2022/0273094 A1 9/2022 Wallis  
 2023/0218078 A1 \* 7/2023 Moore ..... A47B 9/20  
 108/106

FOREIGN PATENT DOCUMENTS

GB 2362822 12/2001  
 WO 2016195853 12/2016

OTHER PUBLICATIONS

The Sit Desk by Mateo Goods, first available: Unknown. hel-  
 lomateogoods.com [online], [site visited Apr. 13, 2022], Internet  
 URL: [https://hellomateogoods.com/collections/all/products/the-static-  
 desk](https://hellomateogoods.com/collections/all/products/the-static-desk) (Year: 2022).

The Sit-Stand Desk by Mateo Goods, first available: Sep. 26, 2020.  
 Indiegogo.com [online], [site visited Apr. 13, 2022], Internet URL: [https://  
 www.indiegogo.com/projects/the-sit-stand-desk-by-mateo/](https://www.indiegogo.com/projects/the-sit-stand-desk-by-mateo/) (Year:  
 2020).

\* cited by examiner



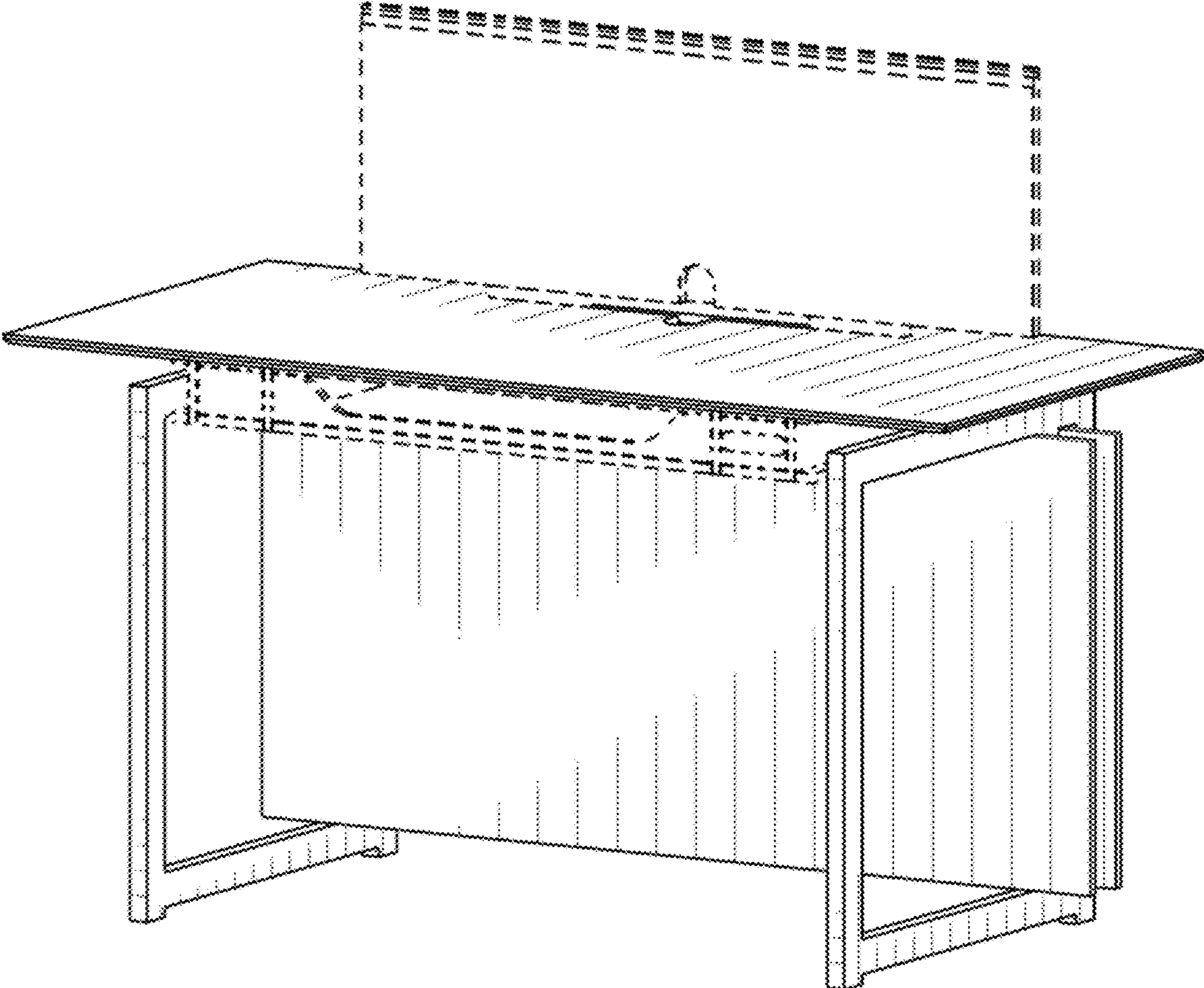


FIG. 1

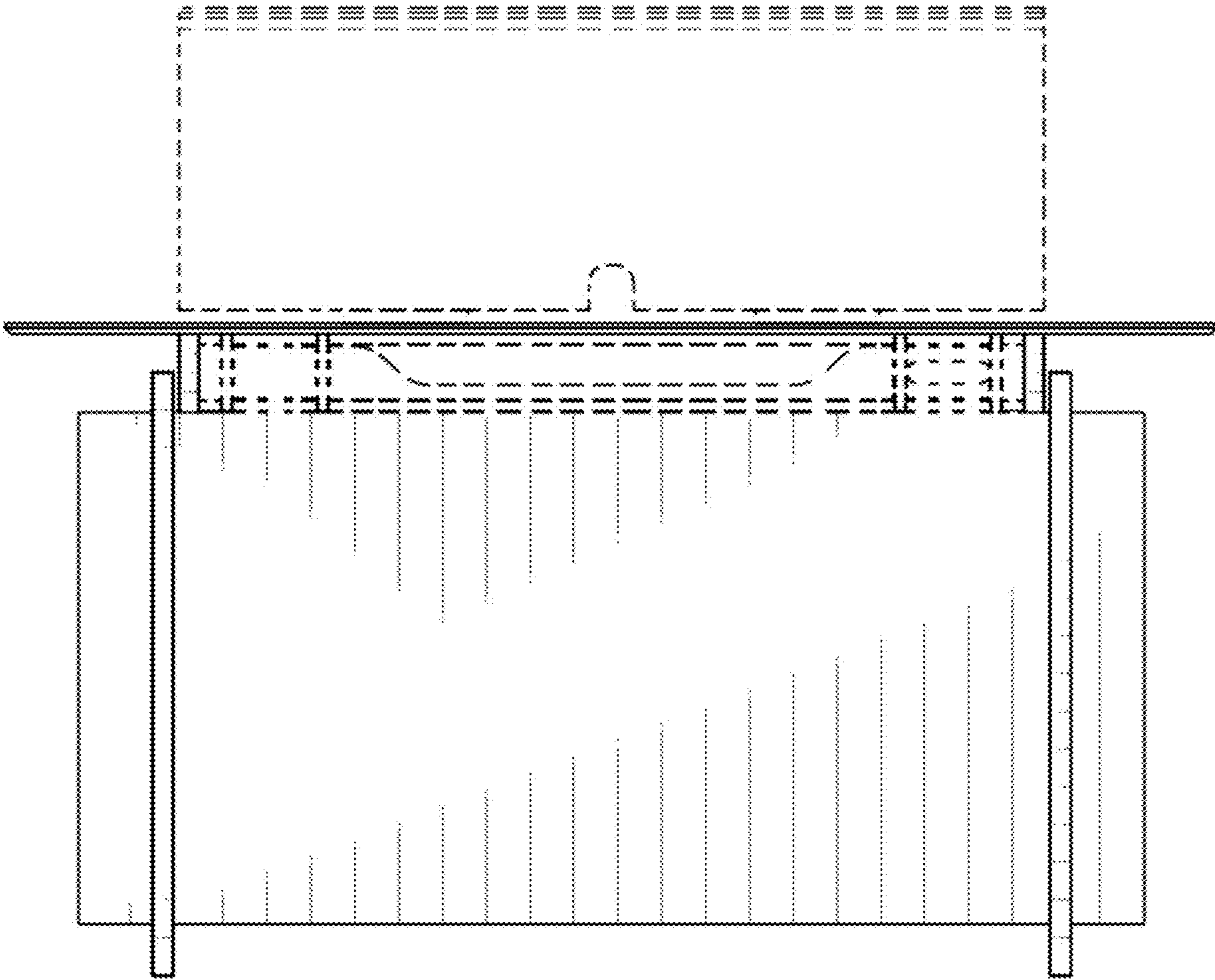


FIG. 2

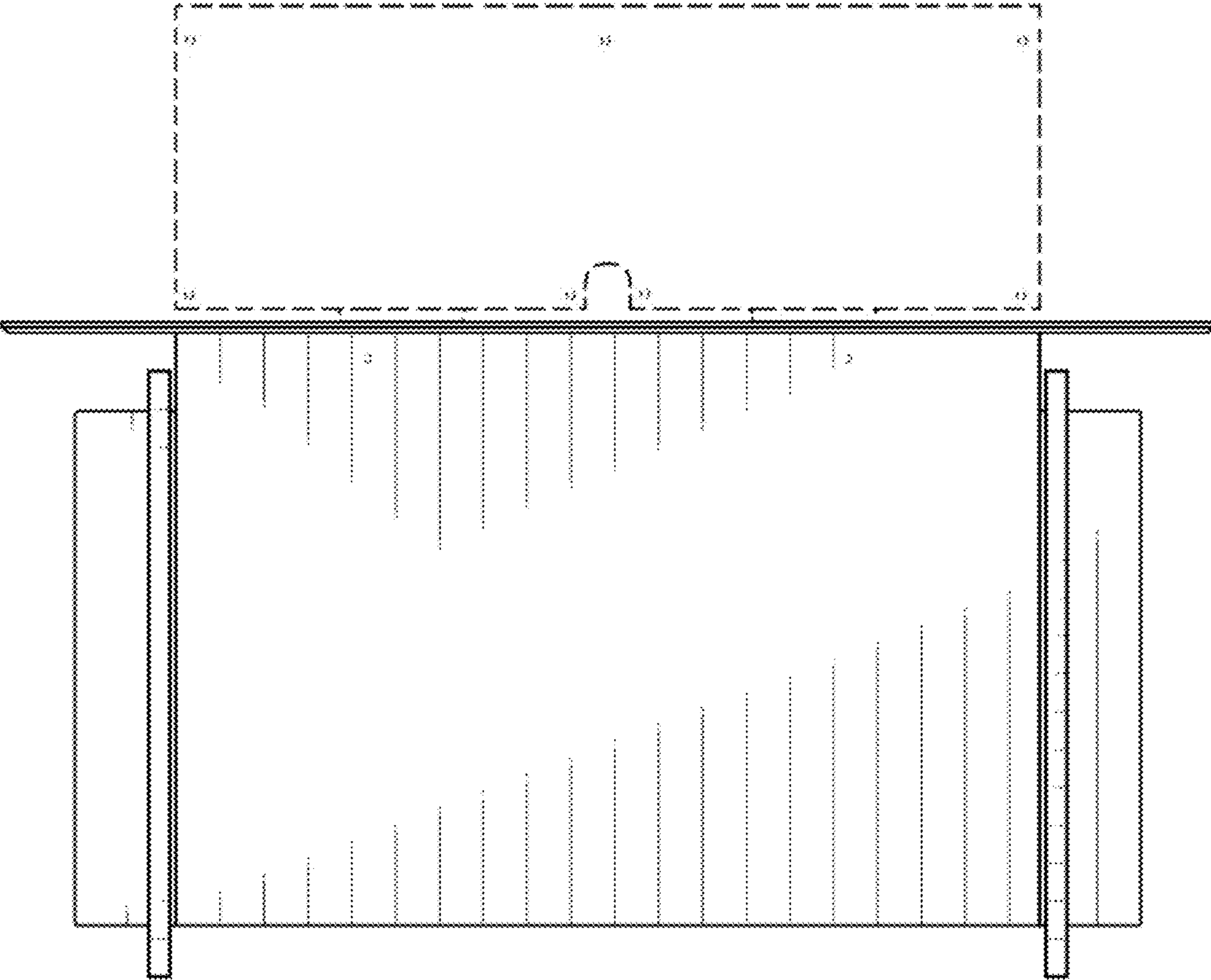


FIG. 3

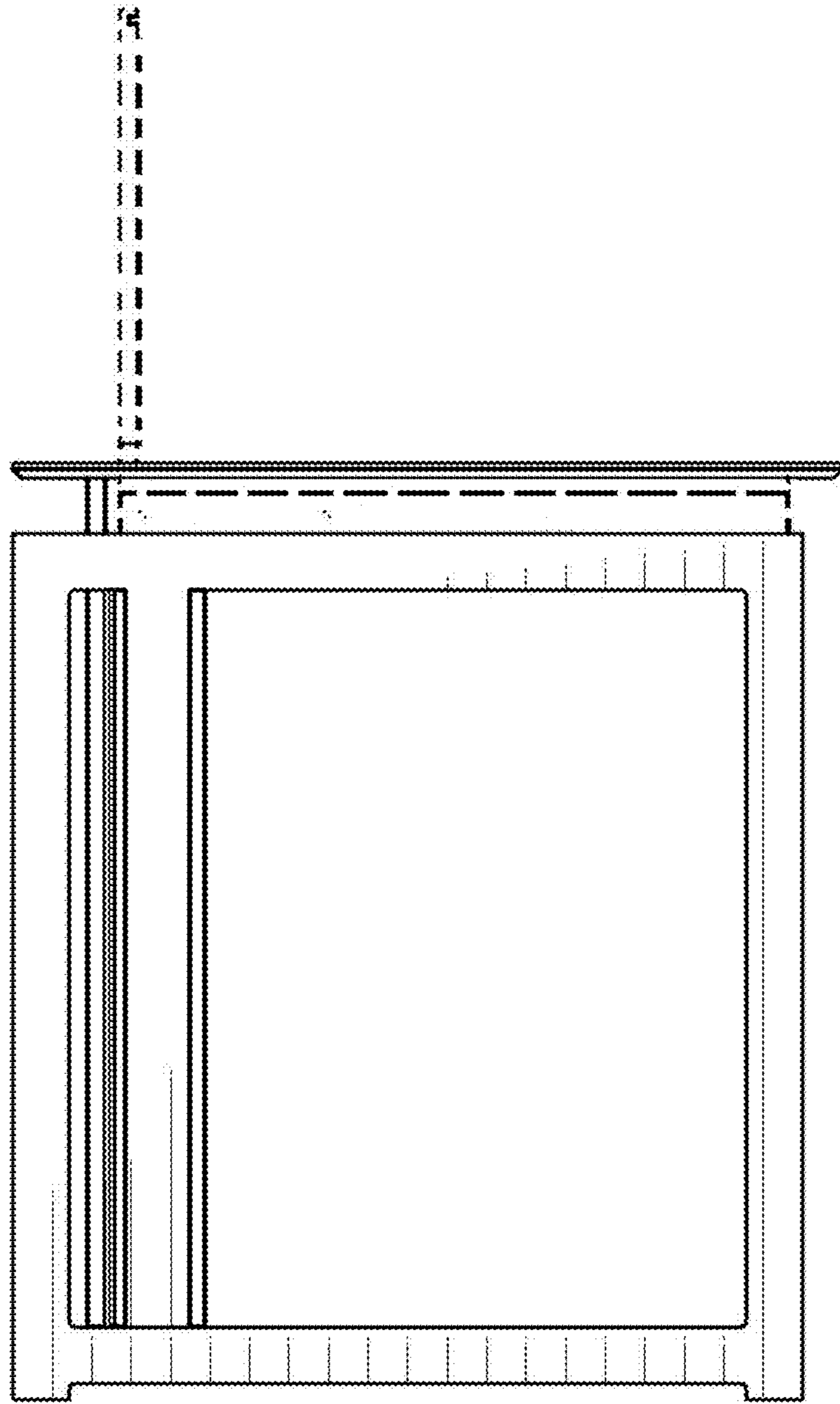


FIG. 4

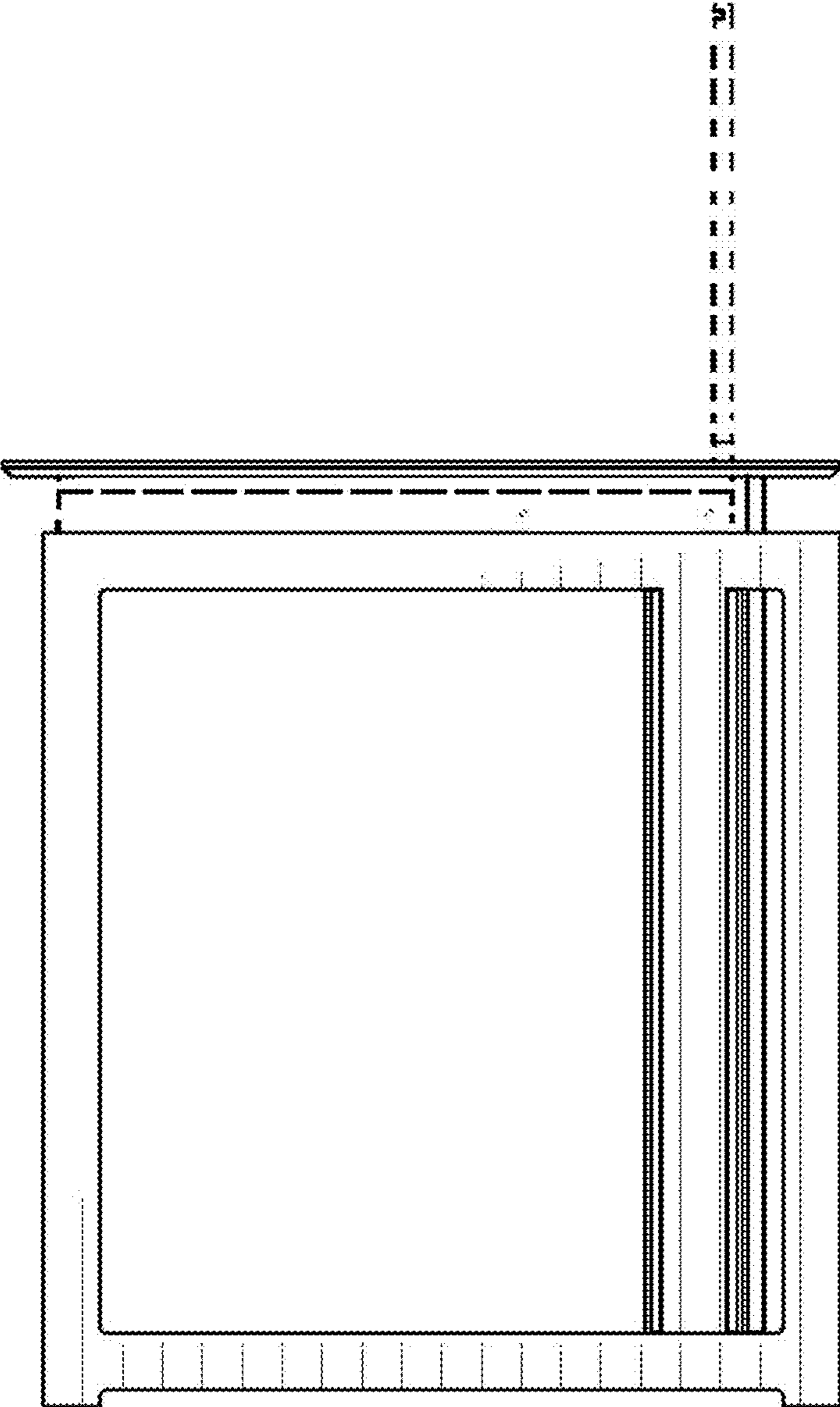


FIG. 5



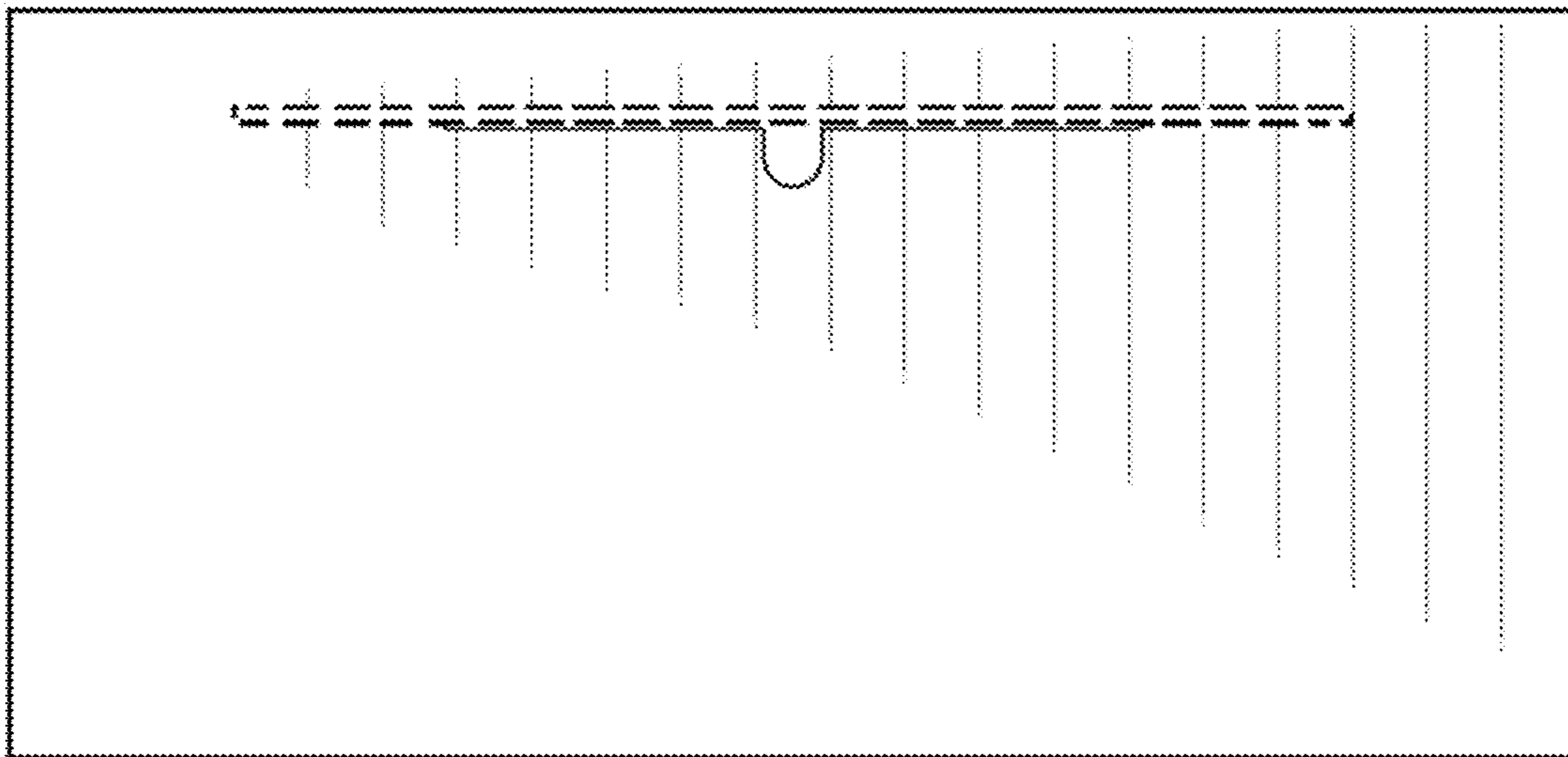


FIG. 6



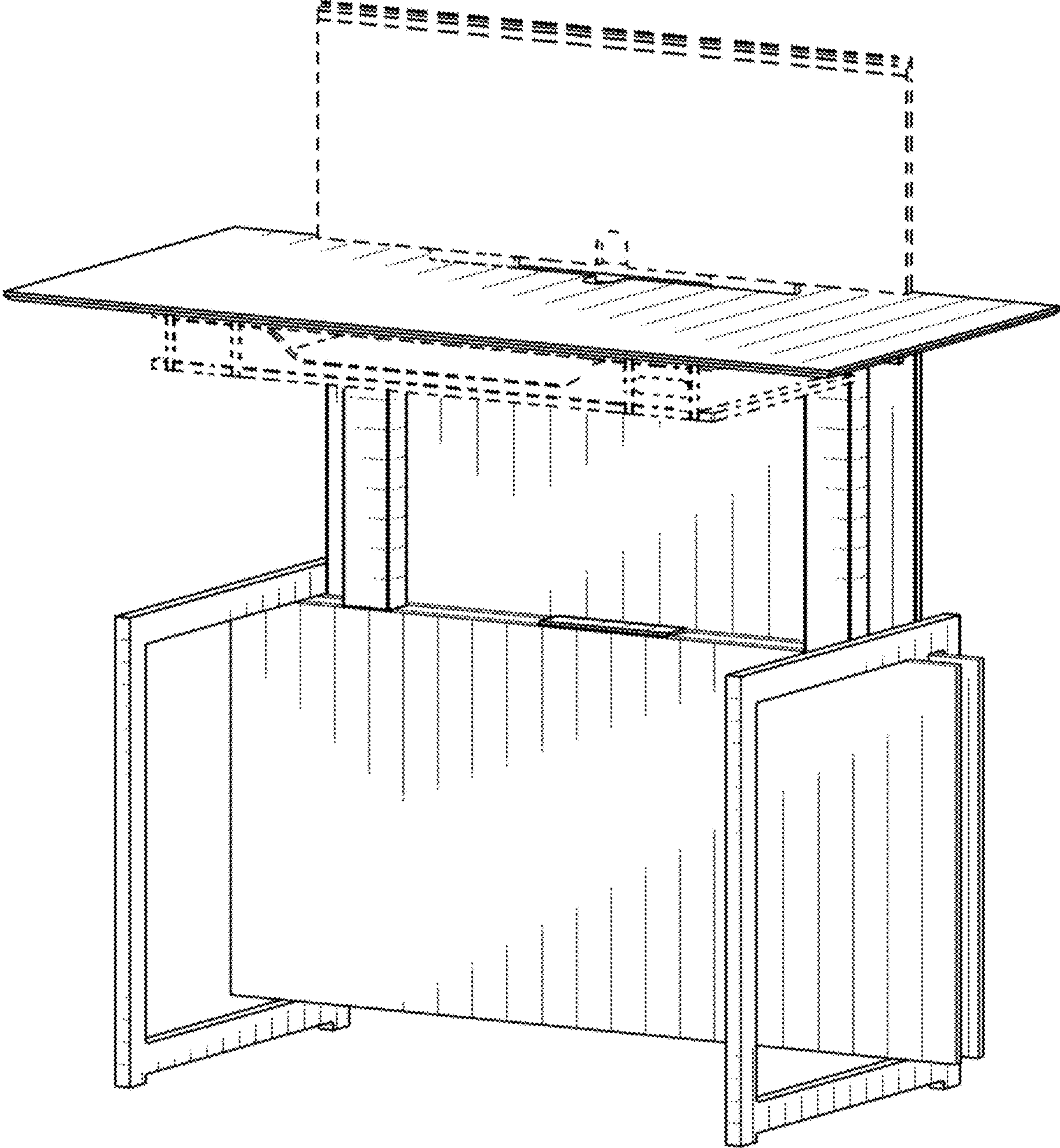


FIG. 7