



US0D1032229S

(12) **United States Design Patent** (10) **Patent No.:** **US D1,032,229 S**  
**Chalko et al.** (45) **Date of Patent:** **\*\* Jun. 25, 2024**

(54) **DISPENSER**

(71) Applicant: **Kimberly-Clark Worldwide, Inc.**,  
Neenah, WI (US)

(72) Inventors: **Eric M. Chalko**, Roswell, GA (US);  
**Phillip L. Hutchison**, Woodstock, GA  
(US); **Alice S. Gordon**, Roswell, GA  
(US)

(73) Assignee: **Kimberly-Clark Worldwide, Inc.**,  
Neenah, WI (US)

(\*\*) Term: **15 Years**

(21) Appl. No.: **29/777,638**

(22) Filed: **Apr. 7, 2021**

(51) **LOC (14) Cl.** ..... **23-08**

(52) **U.S. Cl.**  
USPC ..... **D6/522**

(58) **Field of Classification Search**  
USPC ..... D6/515-523, 545; 211/13.1, 173, 180,  
211/45, 86.01, 87.02, 87.01; 248/309.1,  
248/309.2, 904; 242/570, 590; 206/225,  
206/233, 389, 391, 77.1; 221/26, 33,  
221/282, 283, 14, 92, 105; 222/173, 180,  
222/281-282

CPC . A47F 1/085; A47F 7/163; A47F 7/16; B65H  
75/141; B65D 83/267; B65D 23/003;  
B65D 83/40; B65D 77/065; B65D  
35/242; B65D 85/672; B65D 83/08;  
B65D 83/05; B65D 85/04; B67D 3/0029;  
B67D 1/07; A47K 5/1217; A47K 5/02;  
A47K 10/025; A47K 10/10; A47K 10/04;  
A47K 1/09; A47K 17/003; A61C 5/06

See application file for complete search history.

(56) **References Cited**

**U.S. PATENT DOCUMENTS**

1,170,380 A \* 2/1916 Winter ..... A47K 10/427  
221/55  
1,712,479 A \* 5/1929 Allen ..... A47K 10/424  
221/53

D102,355 S \* 12/1936 Corbin ..... D6/520  
2,109,412 A \* 2/1938 Corbin ..... A47K 10/424  
312/201  
D112,520 S \* 12/1938 Ebert ..... D6/522

(Continued)

**OTHER PUBLICATIONS**

Assignee website, Kimberly-Clark Professional Icon Automatic Hard  
Roll Towel Dispenser, Feb. 4, 2023, <https://www.kcprofessional.com/en-us/products/dispensers/paper-towel-dispensers/hard-roll/kimberly-clark-professional%E2%84%A2-icon%E2%84%A2-automatic-hard-roll-towel-dispenser/58710> (Year: 2023).\*

*Primary Examiner* — Nathan M Johnston

(74) *Attorney, Agent, or Firm* — Dority & Manning, P.A.

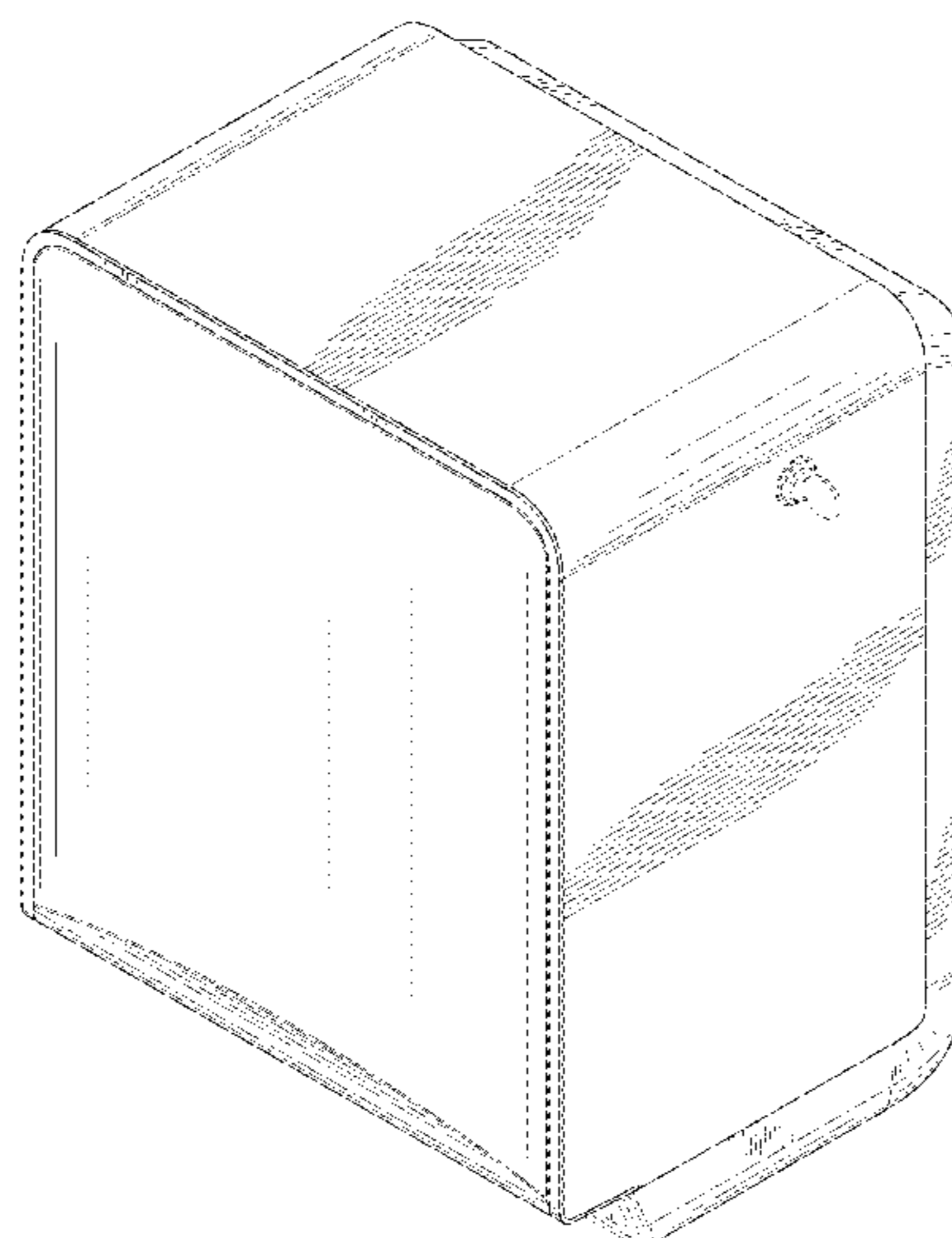
(57) **CLAIM**

The ornamental design for a dispenser, as shown and described.

**DESCRIPTION**

FIG. 1 is a perspective view of a dispenser embodying our new design;  
FIG. 2 is a front view of the dispenser shown in FIG. 1;  
FIG. 3 is a right-side view of the dispenser shown in FIG. 1;  
FIG. 4 is a rear view of the dispenser shown in FIG. 1;  
FIG. 5 is a left-side view of the dispenser shown in FIG. 1;  
FIG. 6 is a top view of the dispenser shown in FIG. 1; and,  
FIG. 7 is a bottom view of the dispenser shown in FIG. 1.  
The broken lines in the drawings show unclaimed subject matter only and form no part of the claimed design. The dashed dot lines in FIG. 4 immediately adjacent to the shaded areas in the figures represent the boundaries of the claimed design. None of the broken lines form any part of the claimed design.

**1 Claim, 7 Drawing Sheets**



(56)

**References Cited**

U.S. PATENT DOCUMENTS

2,830,728 A \* 4/1958 Krueger ..... A47K 10/424  
221/48  
3,124,268 A \* 3/1964 Krueger ..... A47K 10/424  
221/36  
3,341,067 A \* 9/1967 Bastian ..... A47K 10/424  
221/44  
3,754,681 A \* 8/1973 Slye ..... A47K 10/424  
221/45  
4,238,056 A \* 12/1980 Tucker ..... A47K 5/1207  
222/448  
D310,759 S \* 9/1990 Breger ..... D6/523  
D312,369 S \* 11/1990 De Luca ..... D6/522  
D386,344 S \* 11/1997 Brandenburg ..... D6/544  
D424,853 S \* 5/2000 Singletary ..... D6/522  
D450,500 S \* 11/2001 Andersson ..... D6/518  
D564,267 S \* 3/2008 Tomic ..... D6/518  
D613,536 S \* 4/2010 Pattberg ..... D6/518  
D670,518 S \* 11/2012 Kluck ..... D6/515  
D740,587 S \* 10/2015 Sun Ting Kung ..... D6/518  
D796,868 S \* 9/2017 Johnson ..... D6/542  
D811,120 S \* 2/2018 Johnson ..... D6/542  
D901,924 S \* 11/2020 Reilly ..... D6/522  
D955,780 S \* 6/2022 Kollin ..... D6/545  
D985,303 S \* 5/2023 Chalko ..... D6/522  
2004/0084470 A1 \* 5/2004 Taylor ..... A47K 10/424  
221/52  
2018/0333013 A1 \* 11/2018 Starkey ..... G01S 17/88

\* cited by examiner

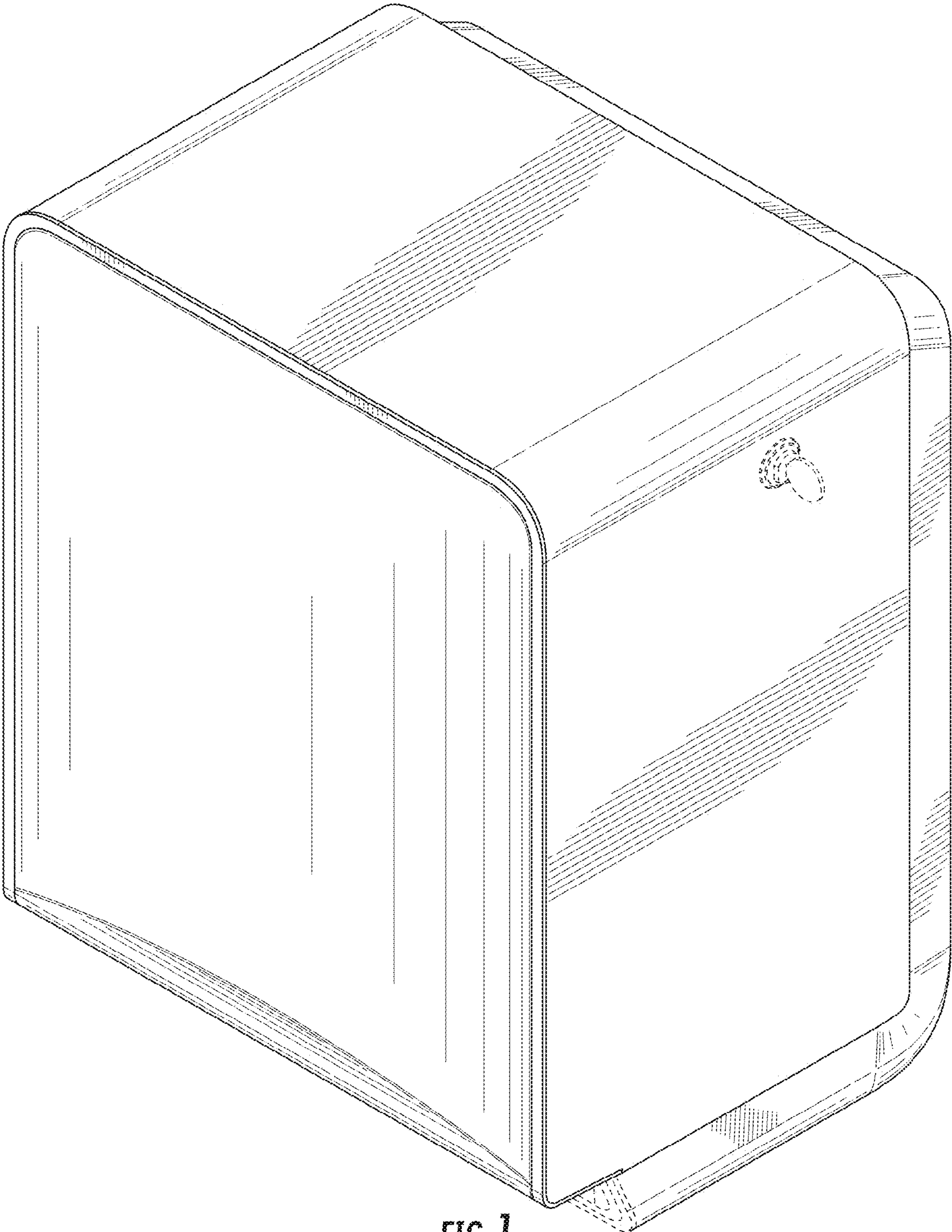


FIG. 1

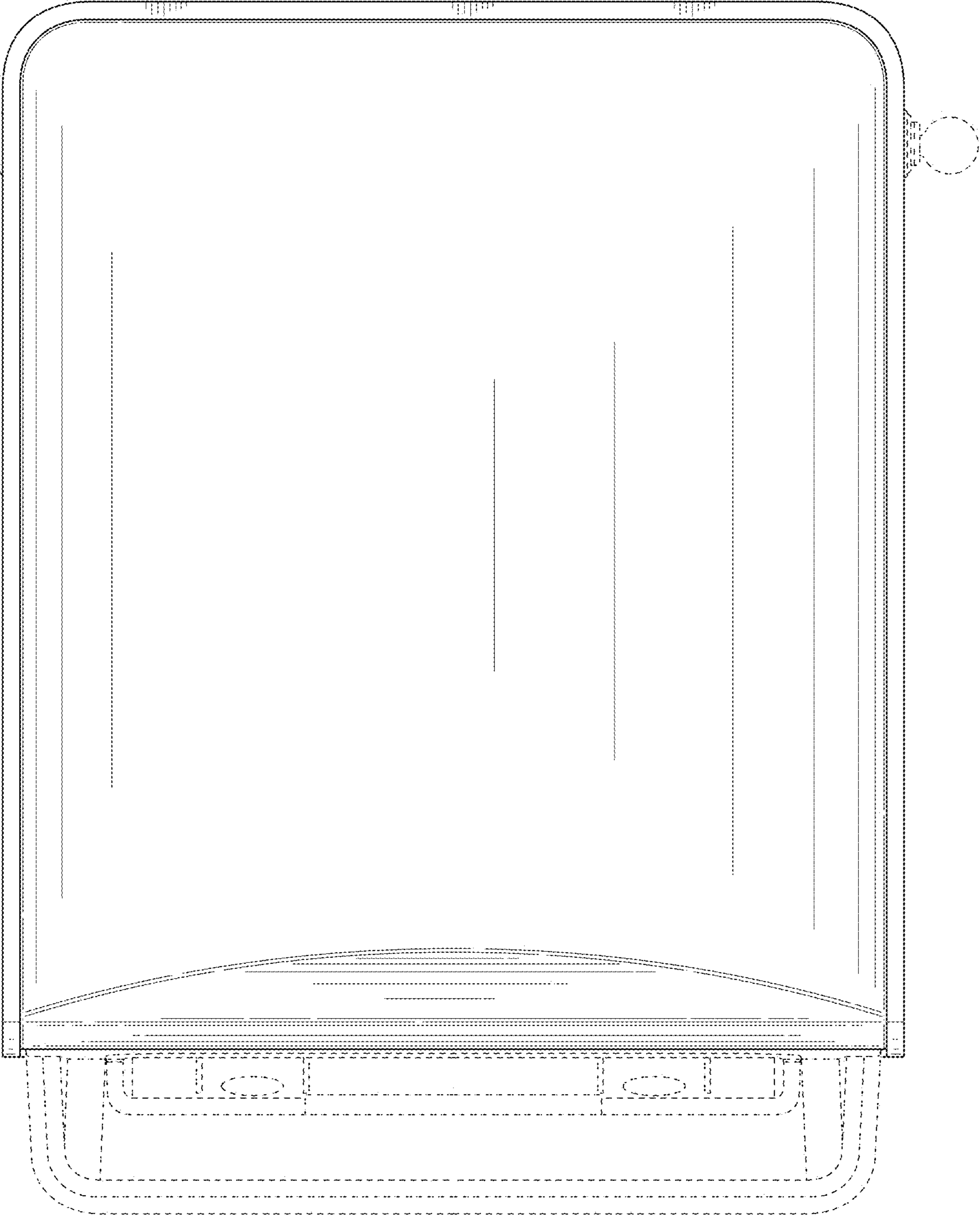


FIG. 2

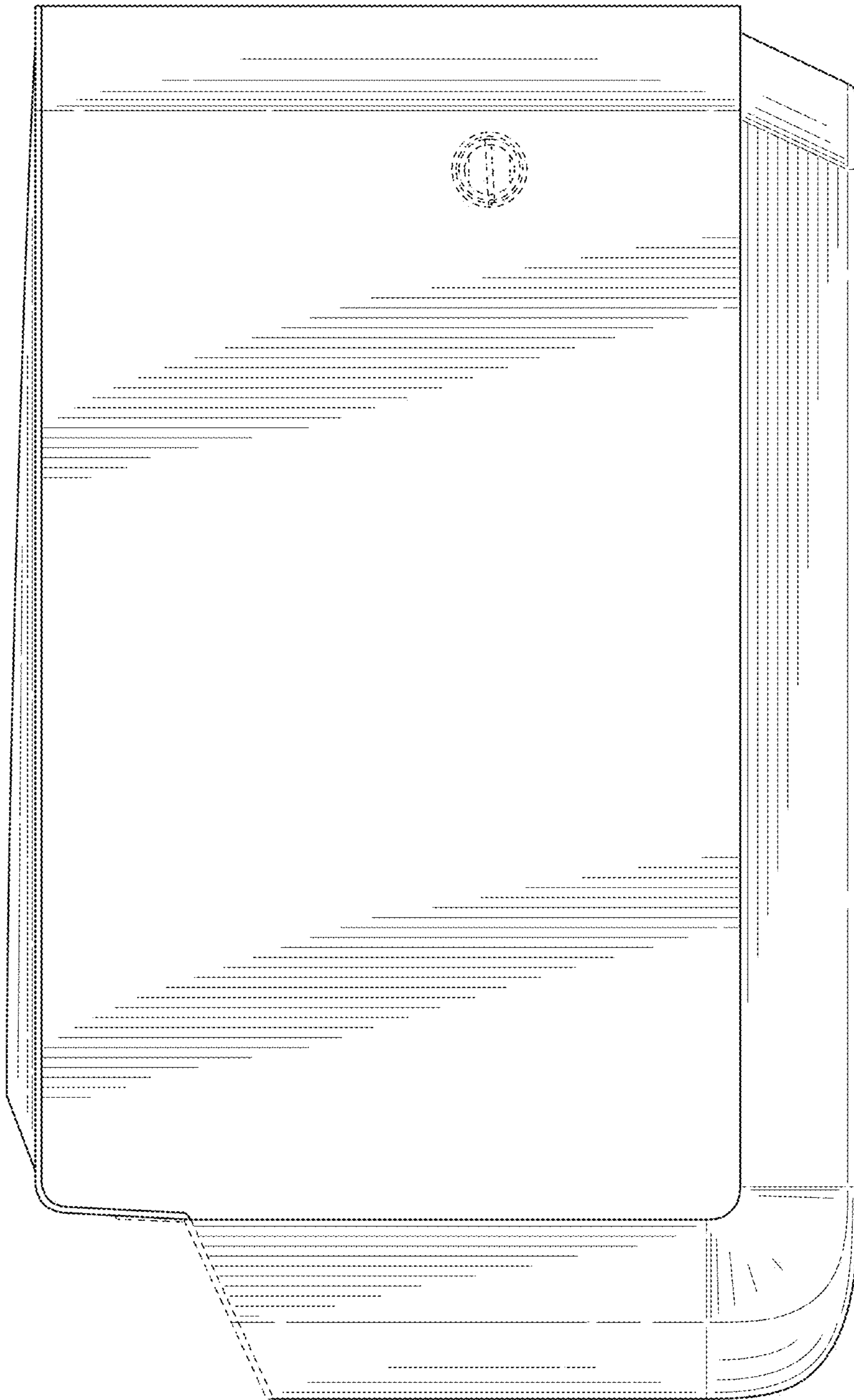


FIG. 3

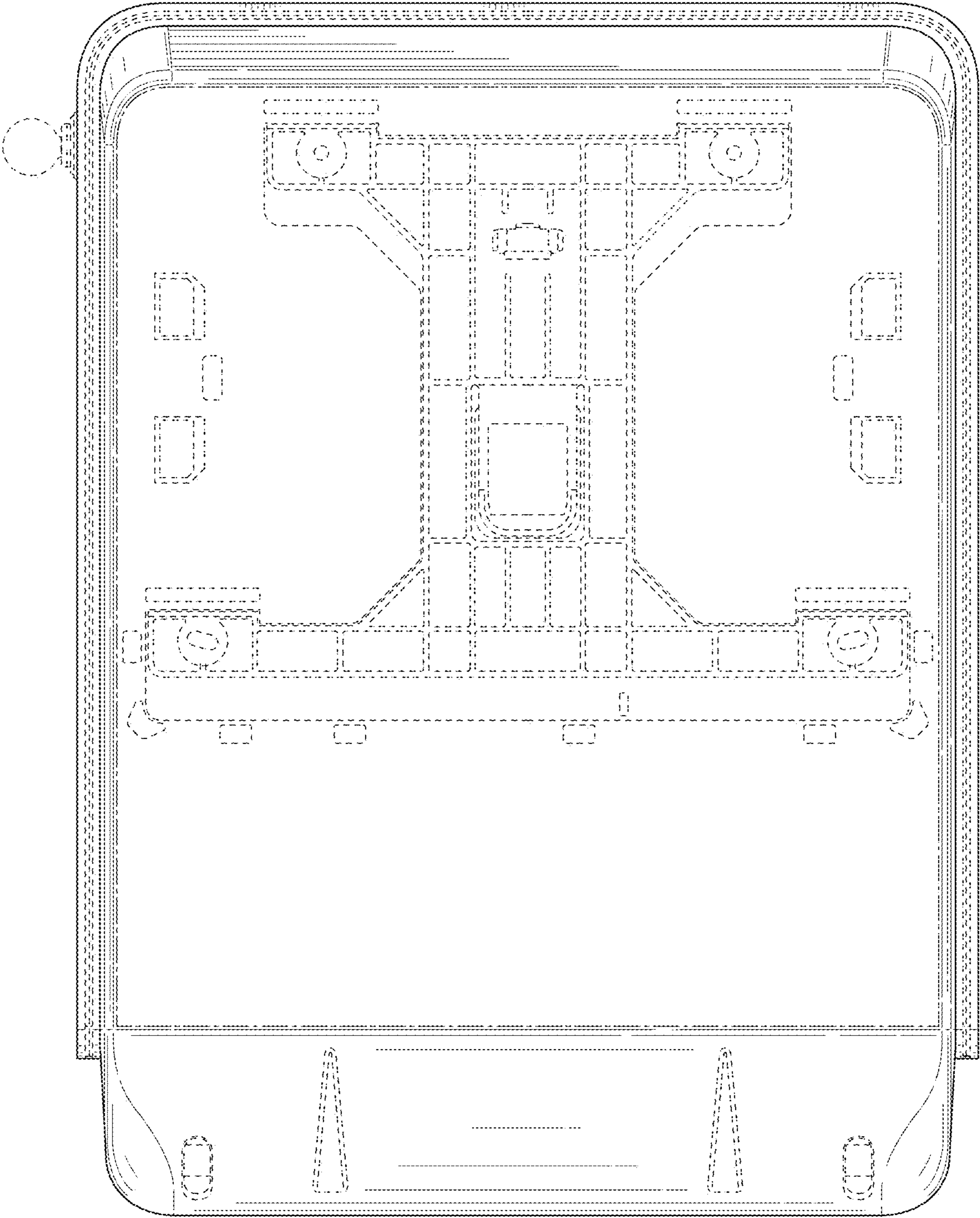


FIG. 4

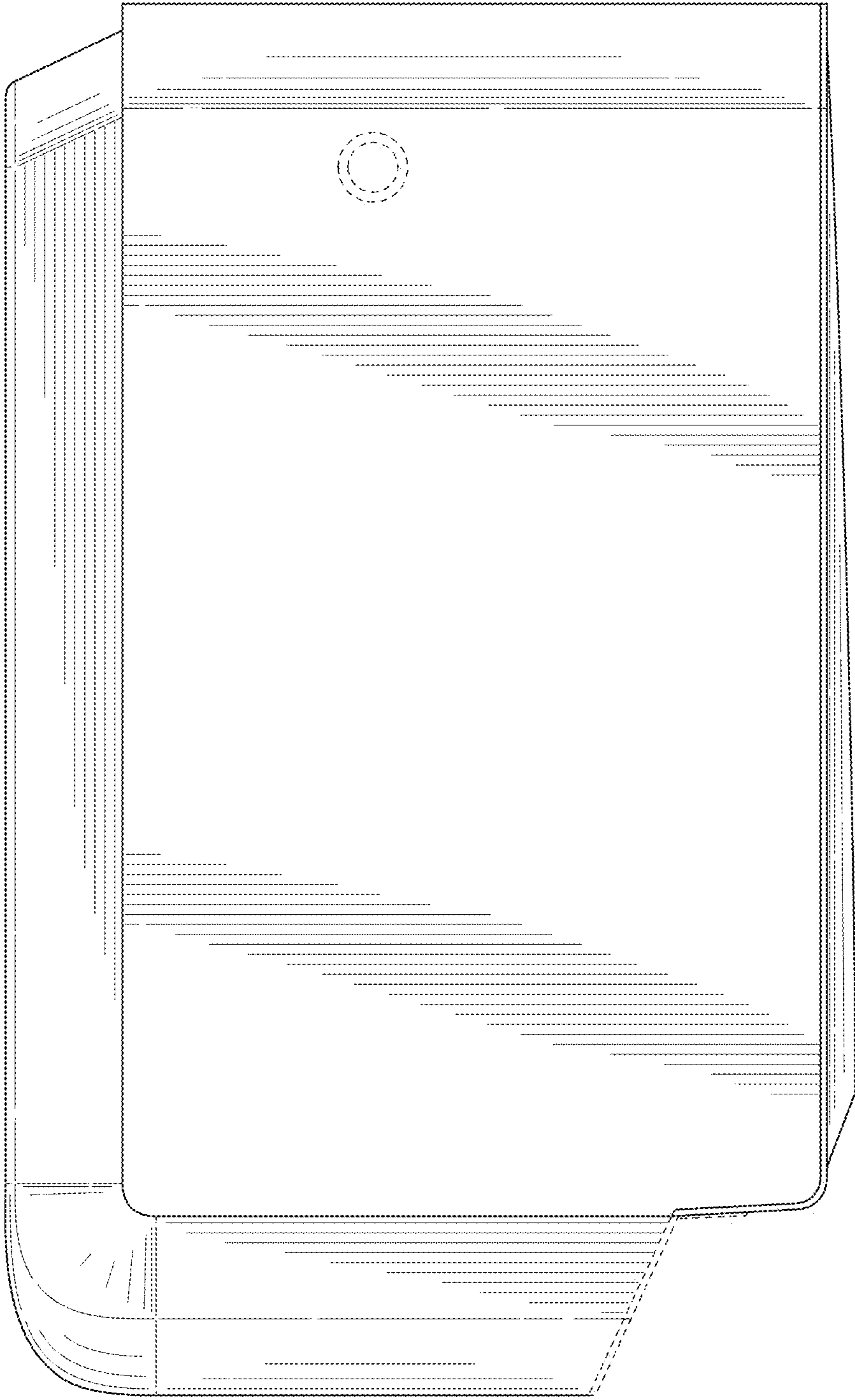


FIG. 5

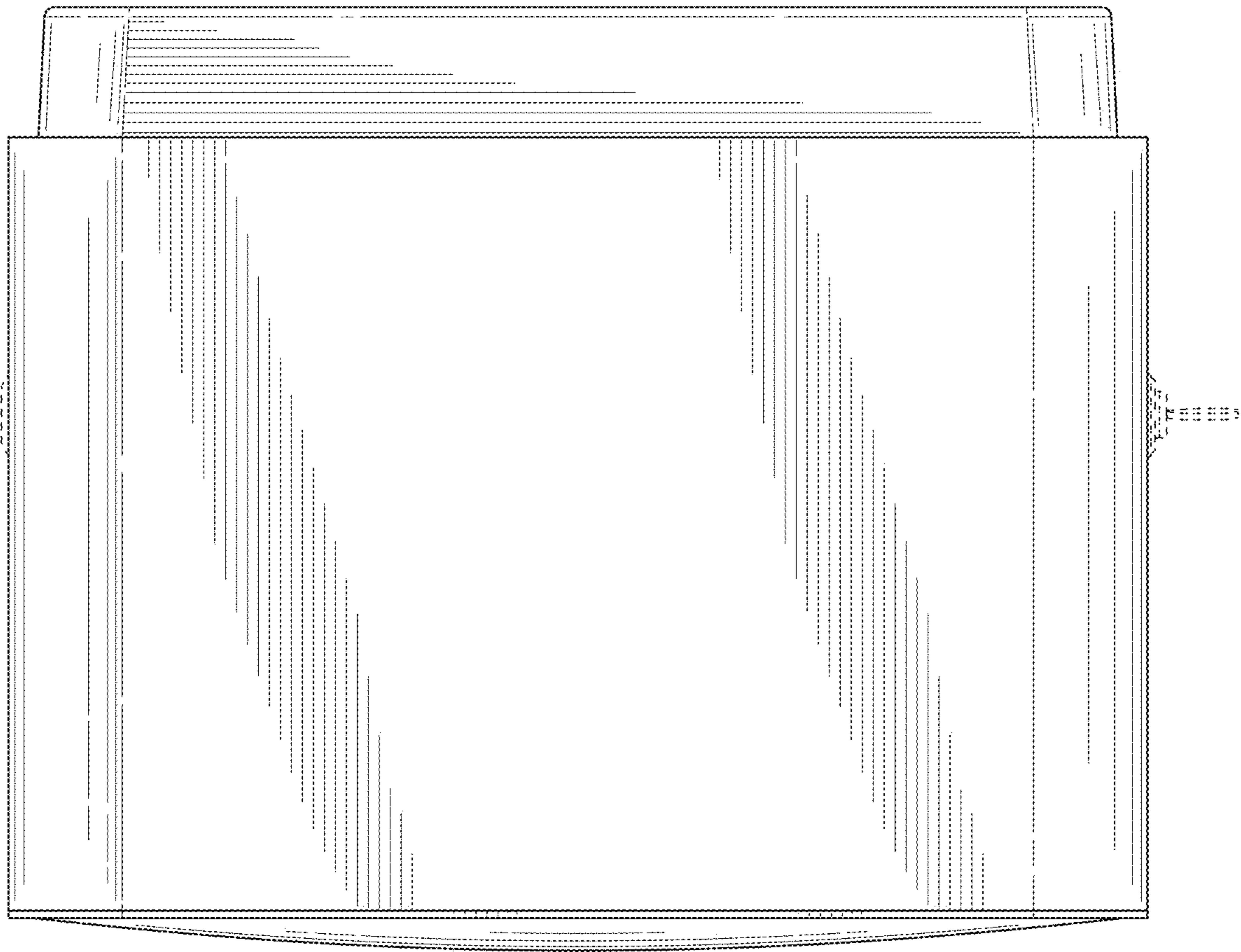


FIG. 6



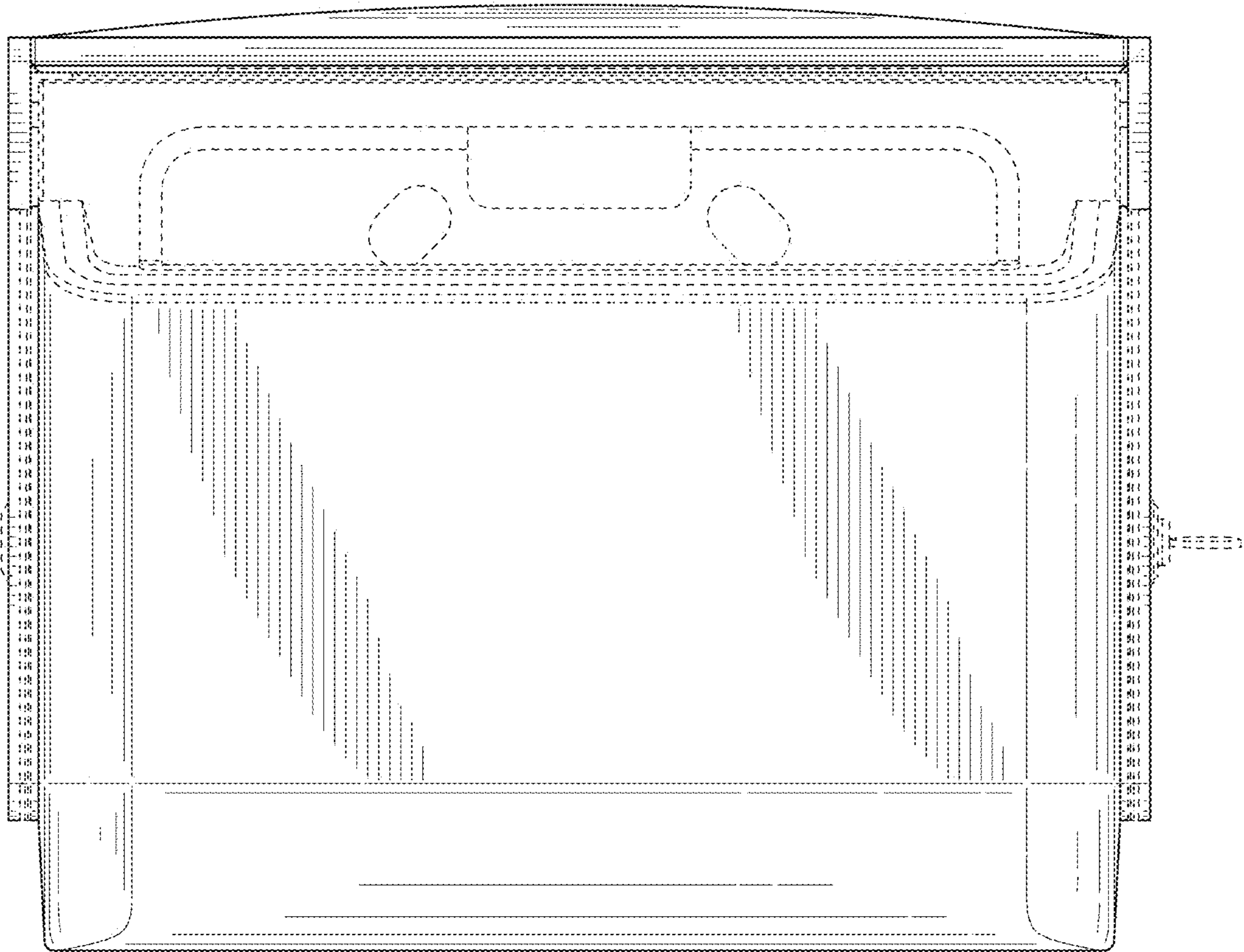


FIG. 7