



US0D1032015S

(12) **United States Design Patent**  
**Bailey et al.**

(10) **Patent No.:** **US D1,032,015 S**

(45) **Date of Patent:** **\*\* Jun. 18, 2024**

(54) **TEST DEVICE**

(71) Applicant: **Hangzhou Biotest Biotech Co., Ltd.**,  
Hangzhou (CN)

(72) Inventors: **Todd Bailey**, Shorewood, MN (US);  
**Lorraine Cogan**, San Diego, CA (US);  
**Liang Hong**, Hangzhou (CN); **John**  
**Wu**, San Diego, CA (US); **Yangyu**  
**Zhu**, San Diego, CA (US)

(73) Assignee: **Hangzhou Biotest Biotech Co., Ltd.**,  
Hangzhou (CN)

(\*\*) Term: **15 Years**

(21) Appl. No.: **29/709,650**

(22) Filed: **Oct. 16, 2019**

(30) **Foreign Application Priority Data**

Apr. 17, 2019 (CN) ..... 201930176400.1  
Apr. 18, 2019 (CN) ..... 201930176604.5

(51) **LOC (14) Cl.** ..... **24-02**

(52) **U.S. Cl.**  
USPC ..... **D24/224**

(58) **Field of Classification Search**  
USPC ..... D24/121–123, 117, 224; 604/329, 317,  
604/318, 334; 600/573, 574; 4/450–460,  
4/144.1–144.4, DIG. 5  
CPC ..... A61G 9/006; A61G 9/003  
See application file for complete search history.

(56) **References Cited**

**U.S. PATENT DOCUMENTS**

D323,116 S \* 1/1992 Dart ..... D9/454  
6,342,183 B1 \* 1/2002 Lappe ..... G01N 33/528  
422/417  
6,406,922 B2 \* 6/2002 Casterlin ..... G01N 33/94  
436/514

D494,279 S \* 8/2004 Cogan ..... D24/224  
D582,767 S \* 12/2008 Batton ..... D9/454  
D610,700 S \* 2/2010 Khoury ..... D24/224  
D690,826 S \* 10/2013 Kuroda ..... D24/224  
D767,158 S \* 9/2016 Wang ..... D24/223  
D797,303 S \* 9/2017 Wan ..... D24/224  
D831,196 S \* 10/2018 Fang ..... D24/121  
D895,139 S \* 9/2020 Hong ..... D24/224  
D901,677 S \* 11/2020 Hong ..... D24/224  
D901,678 S \* 11/2020 Hong ..... D24/224  
D912,271 S \* 3/2021 Rathbone ..... D24/224  
D912,806 S \* 3/2021 Lei ..... B65D 43/0231  
D24/122  
D913,521 S \* 3/2021 Hong ..... D24/224  
D918,412 S \* 5/2021 Hong ..... D24/224  
D930,154 S \* 9/2021 Luebbbers ..... D24/121  
D954,987 S \* 6/2022 Veenendaal ..... D24/224  
D960,388 S \* 8/2022 Fang ..... D24/224

(Continued)

*Primary Examiner* — Nathan M Johnston

(74) *Attorney, Agent, or Firm* — NZ CARR LAW  
OFFICE

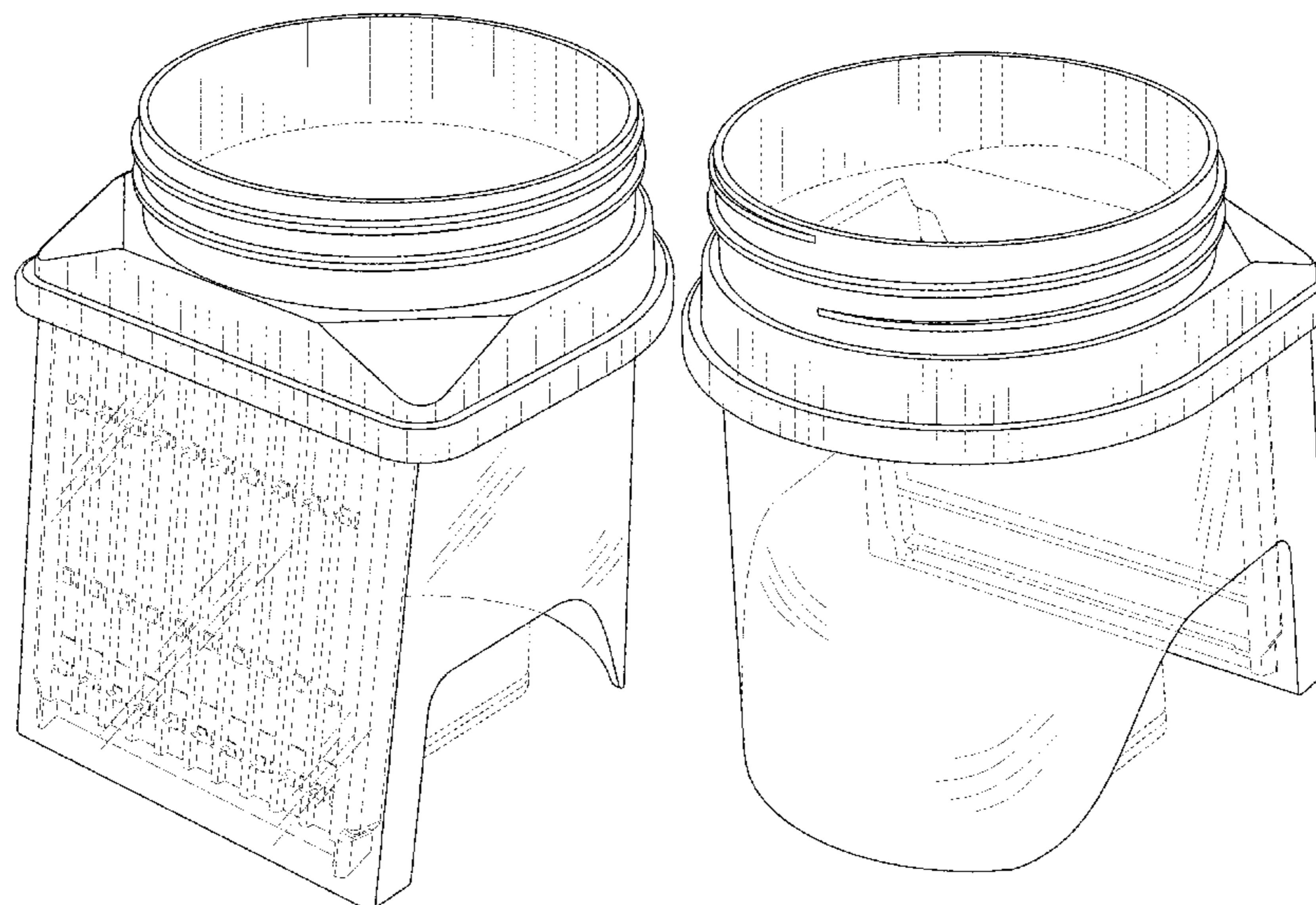
(57) **CLAIM**

The ornamental design for a test device, as shown and described.

**DESCRIPTION**

FIG. 1 is a perspective view of the test device according to the present design, wherein the test device does not have a cap;  
FIG. 2 is another perspective view of the test device of FIG. 1;  
FIG. 3 is a top view of the test device of FIG. 1;  
FIG. 4 is a bottom view of the test device of FIG. 1;  
FIG. 5 is a right view of the test device of FIG. 1;  
FIG. 6 is a left view of the test device of FIG. 1;  
FIG. 7 is a front view of the test device of FIG. 1; and,  
FIG. 8 is a rear view of the test device of FIG. 1.  
The broken lines show portions of the test device that form no part of the claimed design.

**1 Claim, 8 Drawing Sheets**



(56)

**References Cited**

U.S. PATENT DOCUMENTS

2003/0021727 A1\* 1/2003 Weyker ..... A61B 10/007  
436/169  
2003/0022392 A1\* 1/2003 Hudak ..... B01L 3/502  
436/518  
2005/0106750 A1\* 5/2005 Tung ..... B01L 3/502  
422/562  
2007/0196234 A1\* 8/2007 Huff ..... B01L 3/502  
422/400  
2019/0250075 A1\* 8/2019 Wu ..... G01N 1/18  
2021/0033598 A1\* 2/2021 Wu ..... B01L 3/502

\* cited by examiner

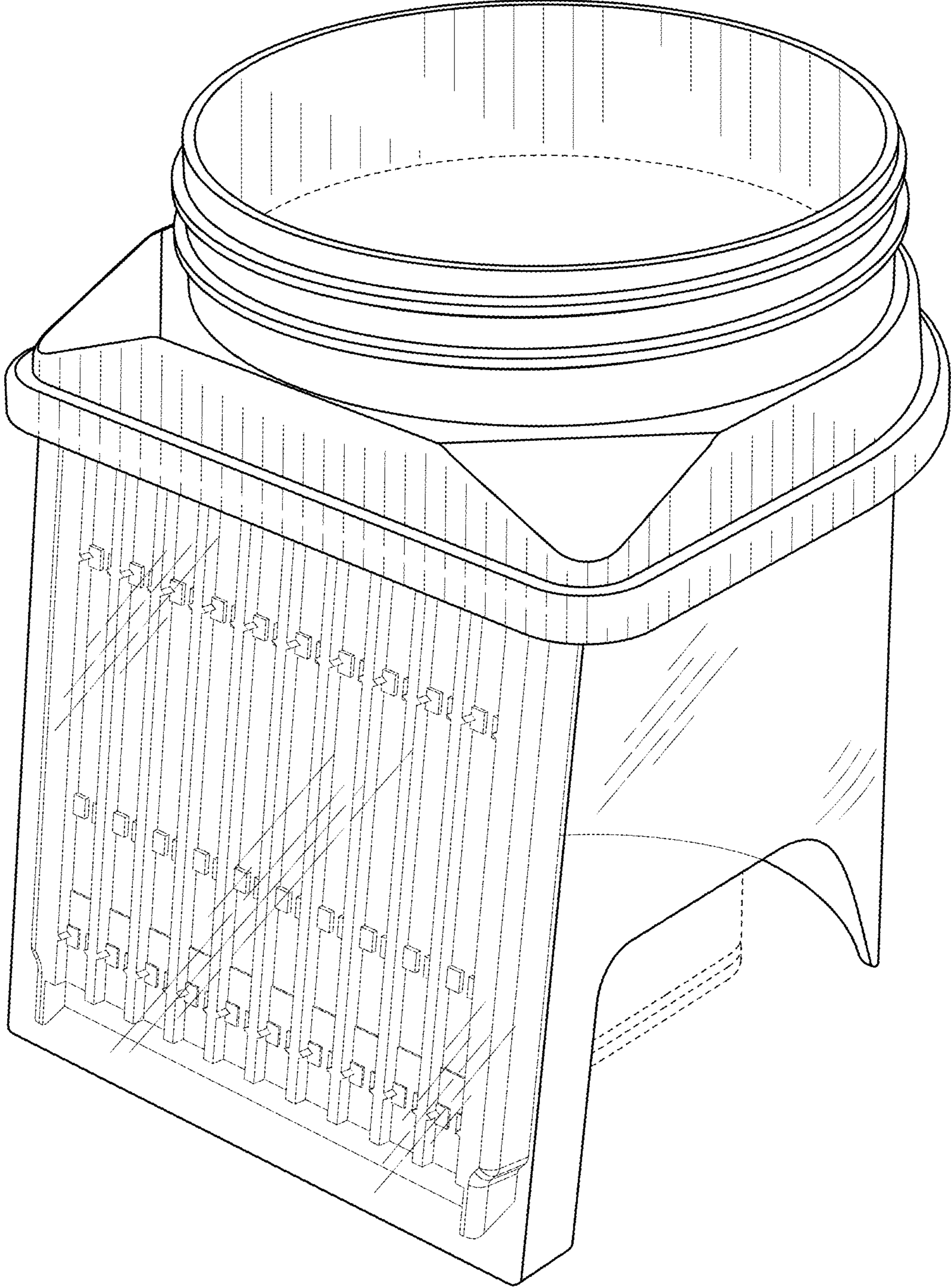


FIG. 1



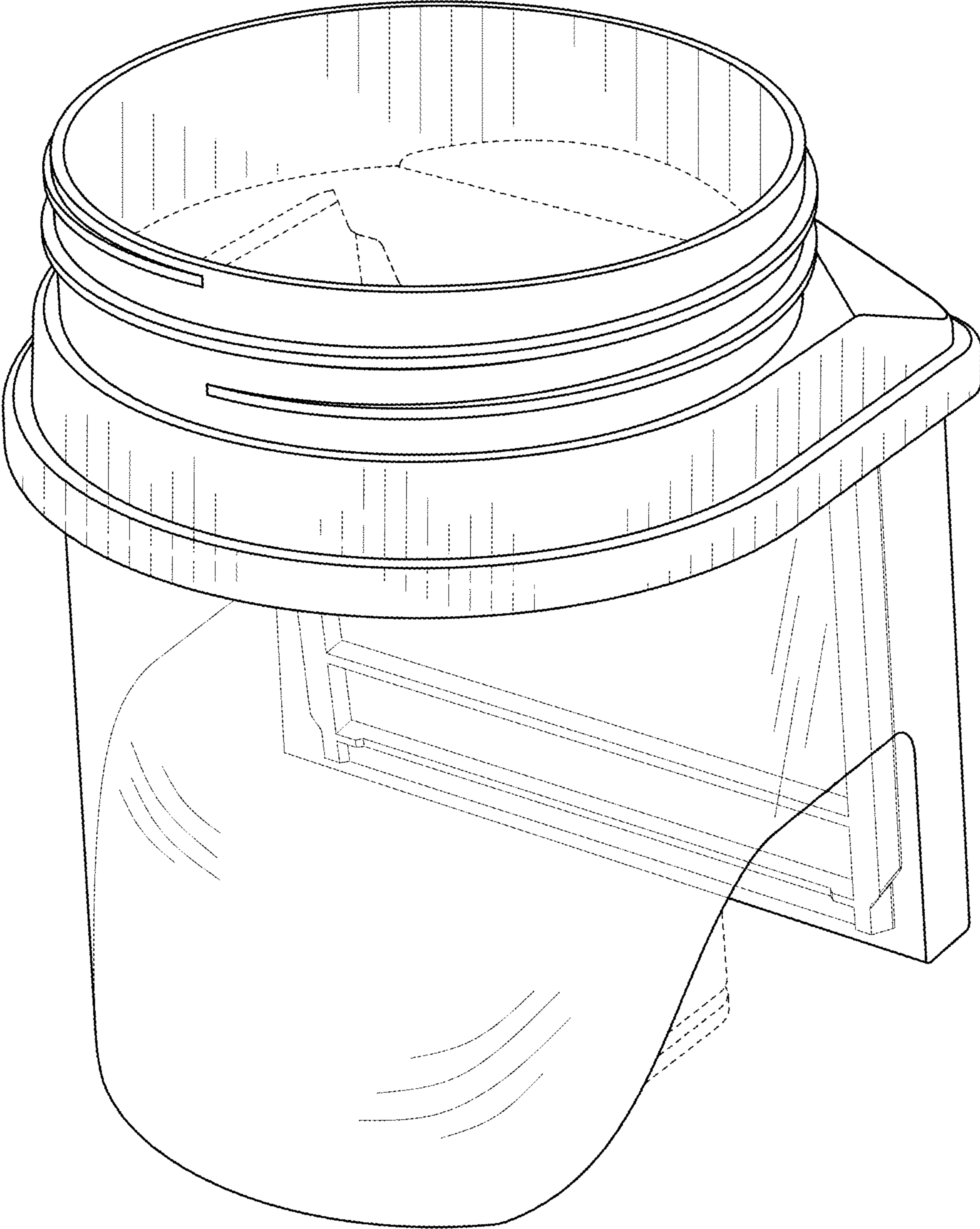


FIG. 2

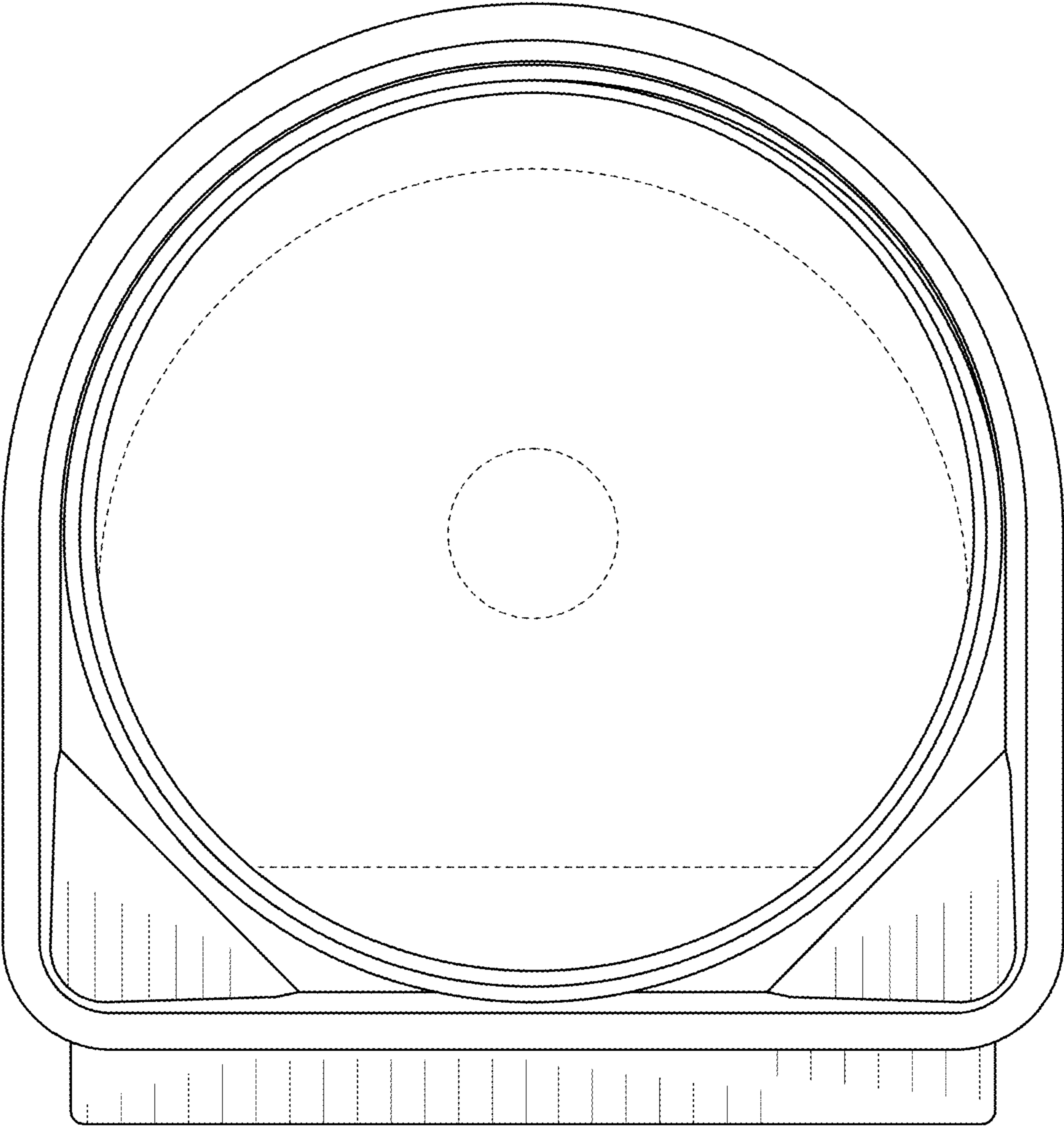


FIG. 3

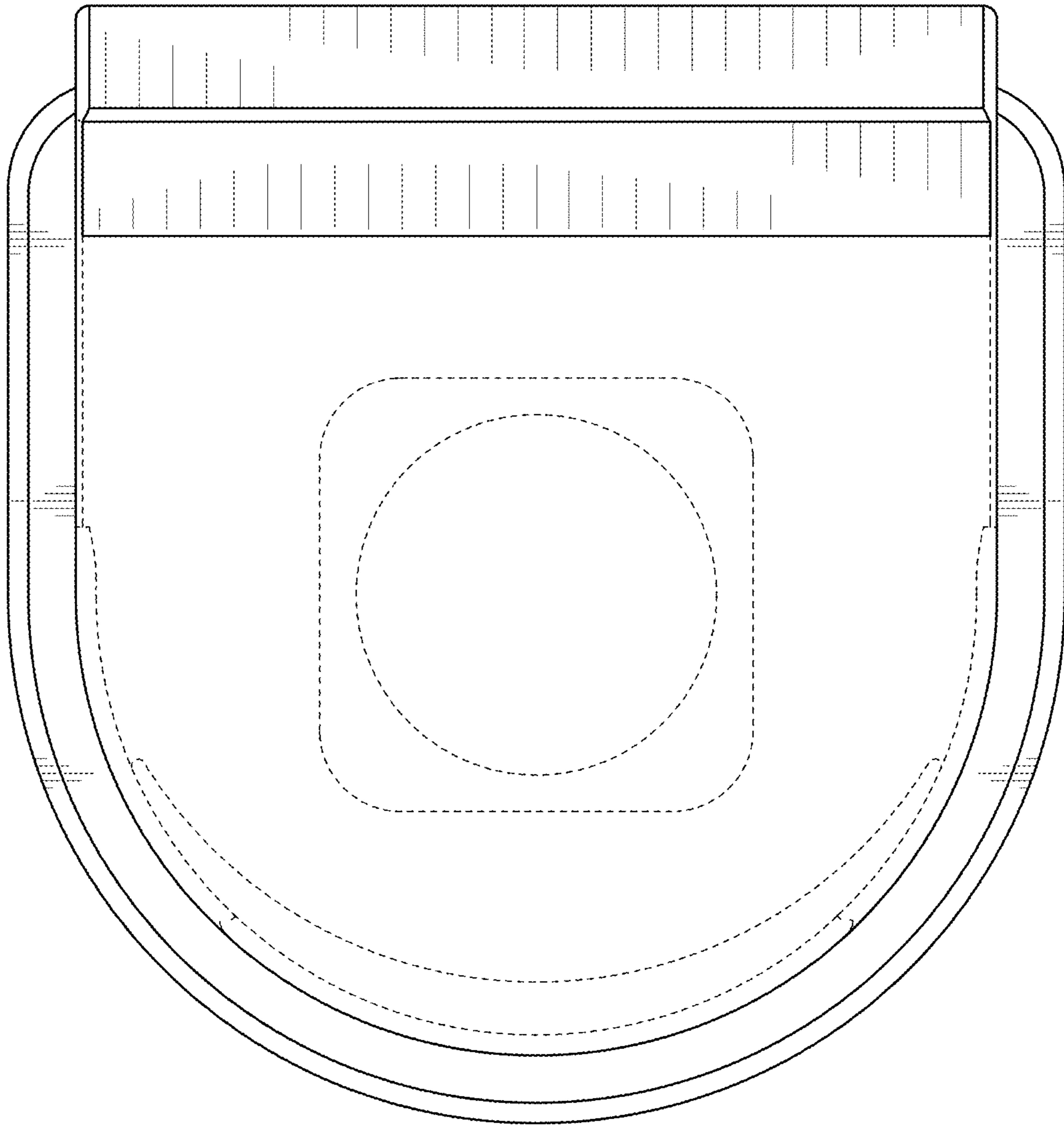


FIG. 4

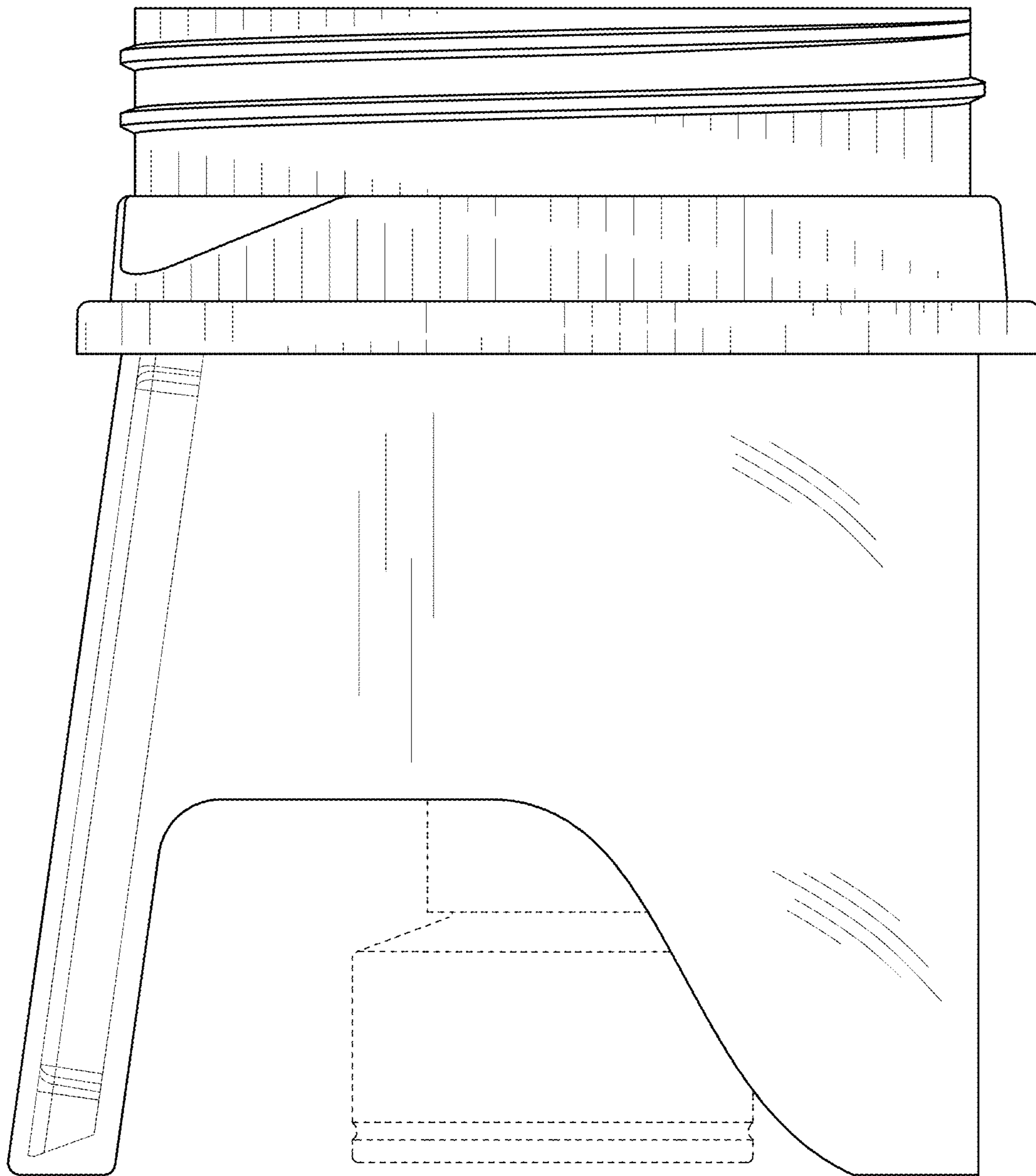


FIG. 5

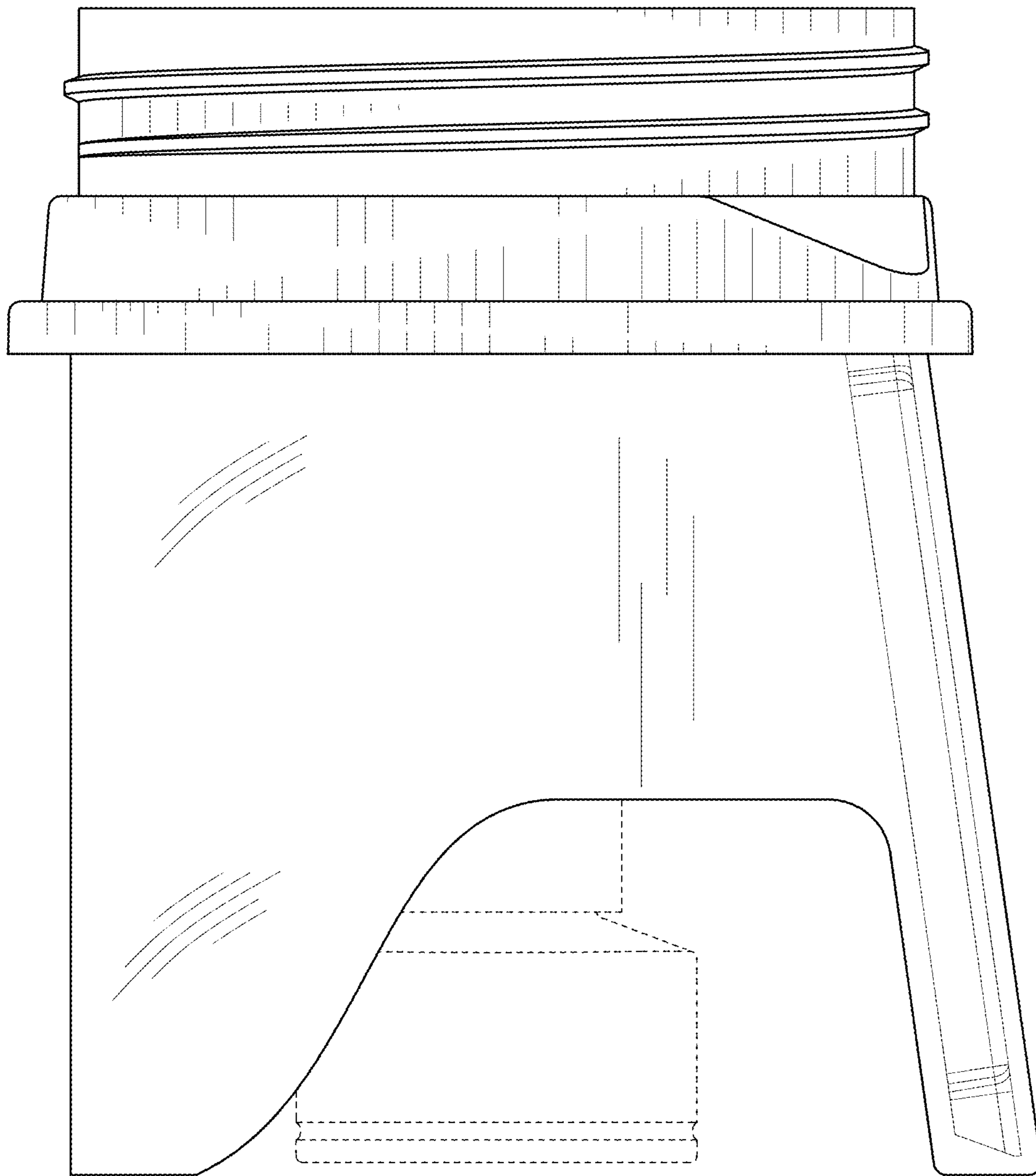


FIG. 6



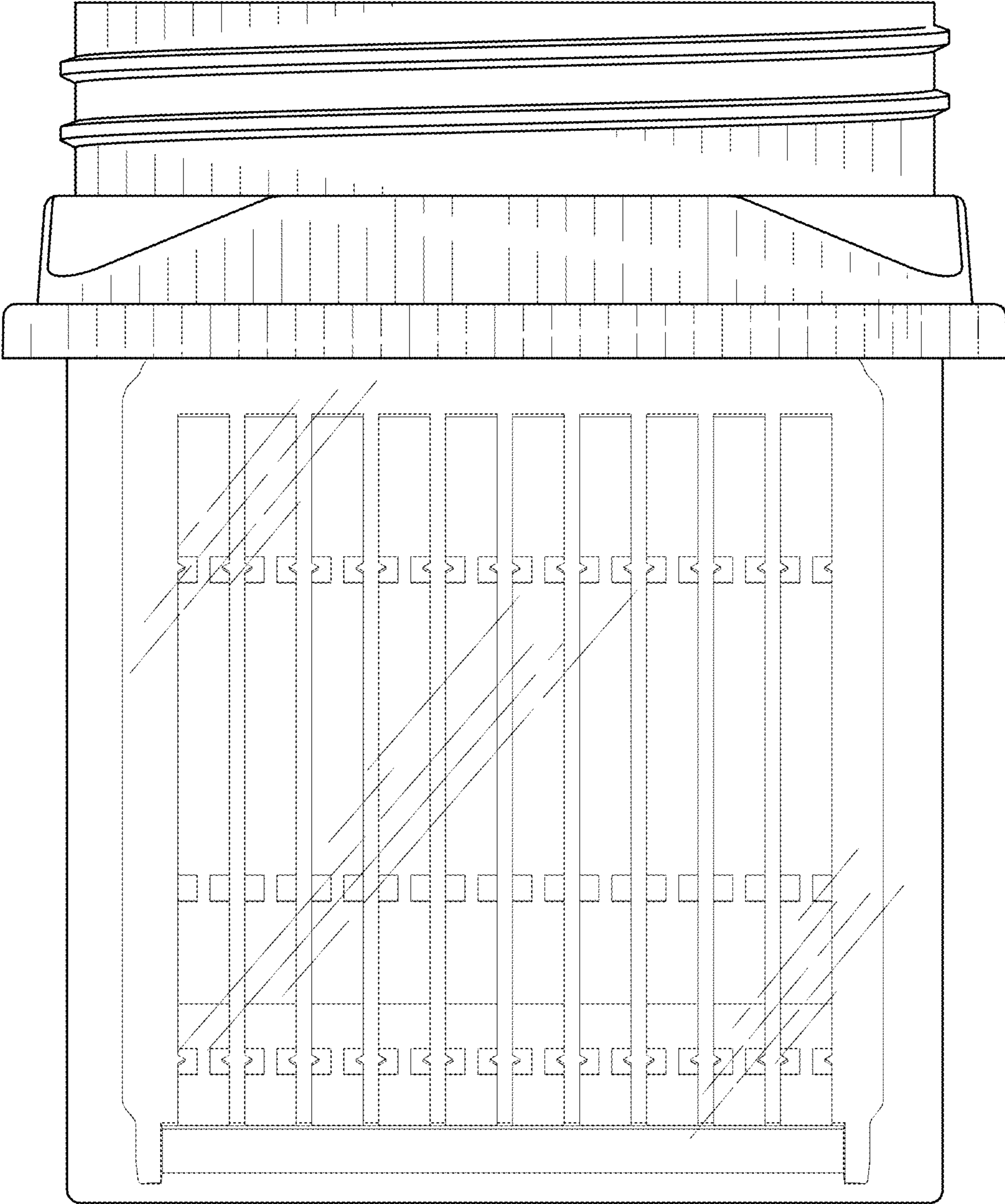


FIG. 7

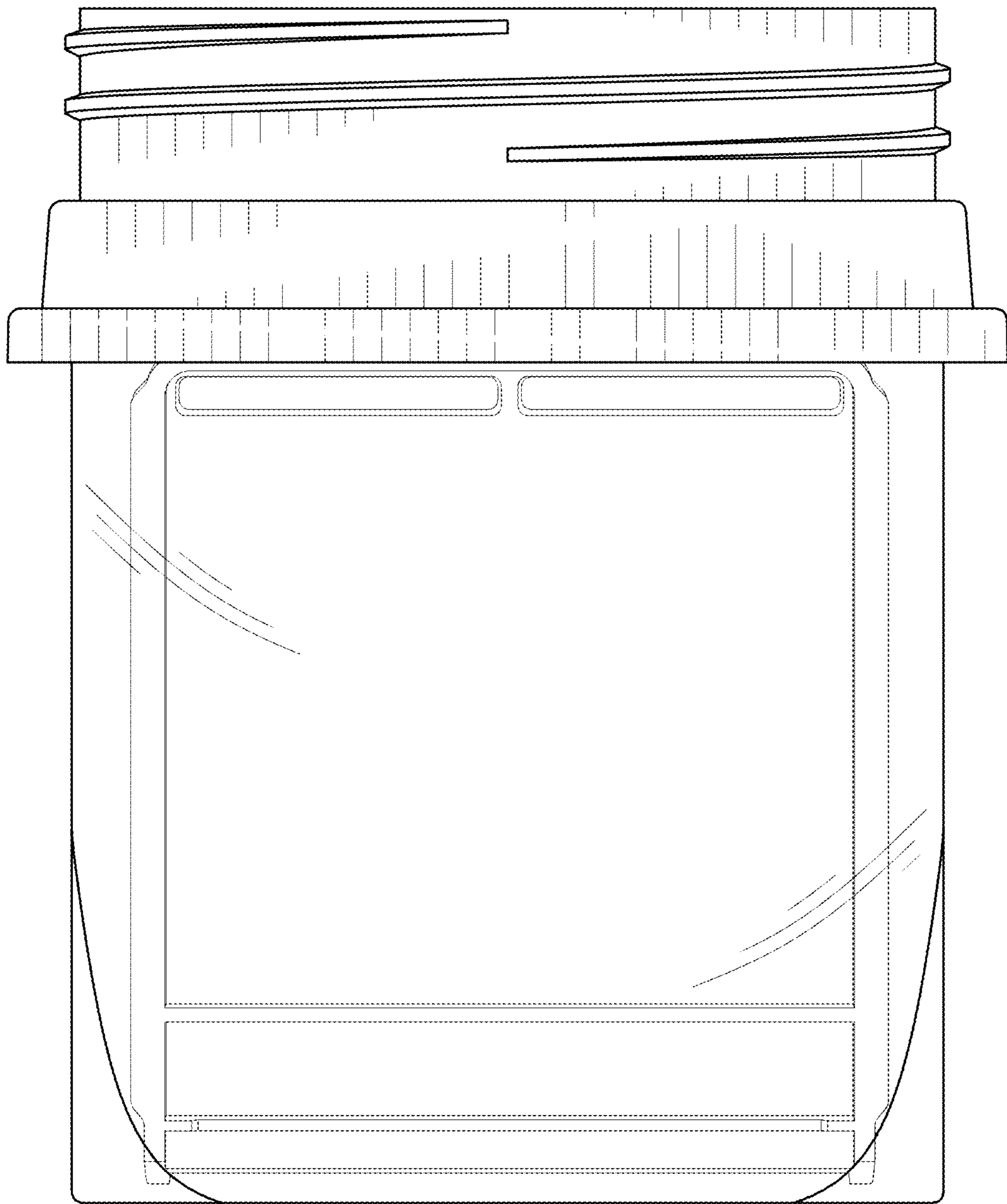


FIG. 8