



US0D1031999S

(12) **United States Design Patent** (10) **Patent No.:** **US D1,031,999 S**
Earles (45) **Date of Patent:** **** Jun. 18, 2024**

(54) **NECK CRADLE**

(71) Applicant: **Gina Earles**, Prescott, AZ (US)

(72) Inventor: **Gina Earles**, Prescott, AZ (US)

(**) Term: **15 Years**

(21) Appl. No.: **29/861,225**

(22) Filed: **Nov. 28, 2022**

(51) **LOC (14) Cl.** **24-02**

(52) **U.S. Cl.**
USPC **D24/191**

(58) **Field of Classification Search**
USPC D24/188-191, 193, 199, 200, 206-209,
D24/215-217; D2/602, 607-609;
D29/101.2
CPC A61F 5/055; A61F 5/04; A61F 5/05883;
A61F 2005/0197; A61F 5/0118; A61F
5/022
See application file for complete search history.

(56) **References Cited**

U.S. PATENT DOCUMENTS

- 3,497,872 A * 3/1970 Mitchell A63B 71/10
2/468
- D263,625 S * 3/1982 McKnight D24/191
- 4,501,023 A * 2/1985 Bilberry A63B 71/1291
2/908
- 4,958,631 A * 9/1990 Sarkozi A61F 5/055
602/18
- D384,851 S * 10/1997 Heginbottom D6/601
- D519,639 S * 4/2006 Follman D24/191
- D582,045 S * 12/2008 James A47C 7/383
D6/601
- D627,996 S * 11/2010 Miller D6/601
- D899,818 S * 10/2020 Qu D6/601

(Continued)

FOREIGN PATENT DOCUMENTS

- CN 201930502622.8 * 9/2019
- GB 2425470 A * 11/2006 A45D 44/10

OTHER PUBLICATIONS

Cloudz Flex Universal Memory Foam Travel Neck and Body Pillow, Online, Published date Oct. 25, 2014, Retrieved on Dec. 11, 2023 from URL: <https://www.amazon.com/dp/B0844S6CCM/> (Year: 2014).*

Primary Examiner — Omeed Agilee

Assistant Examiner — Eric Eldone Tormanen

(74) *Attorney, Agent, or Firm* — Accelerate IP LLC

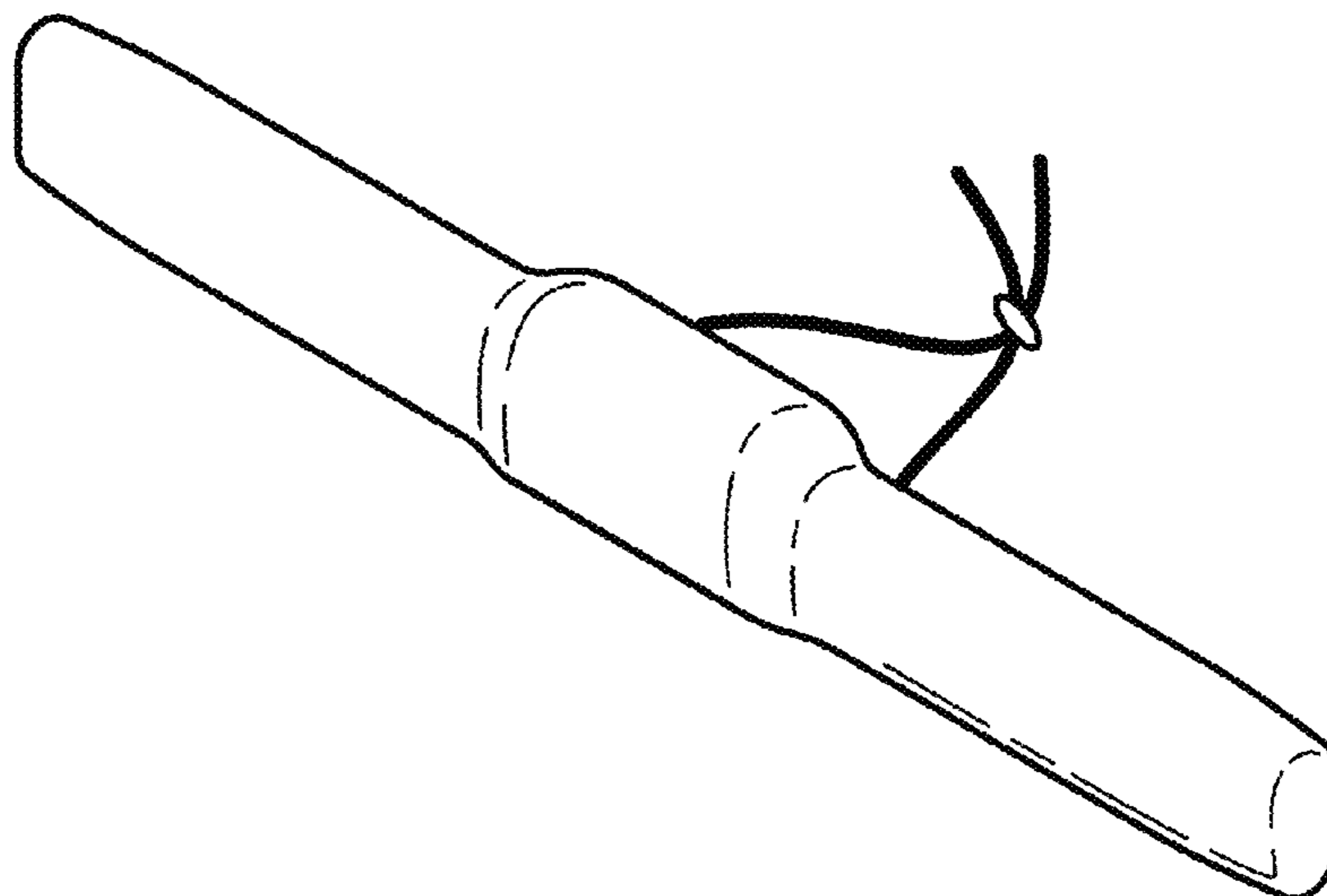
(57) **CLAIM**

I claim the ornamental design for a neck cradle, as shown and described.

DESCRIPTION

FIG. 1 is a front isometric view of a neck cradle showing my new design;
 FIG. 2 is a back isometric view of a neck cradle showing my new design;
 FIG. 3 is a back bottom isometric view of a neck cradle showing my new design;
 FIG. 4 is a front bottom isometric view of a neck cradle showing my new design;
 FIG. 5 is a front view of a neck cradle showing my new design;
 FIG. 6 is a top view of a neck cradle showing my new design;
 FIG. 7 is a bottom view of a neck cradle showing my new design;
 FIG. 8 is a left side view of a neck cradle showing my new design;
 FIG. 9 is a right side view of a neck cradle showing my new design;
 FIG. 10 is a front view of a neck cradle in its folded position showing my new design; and,
 FIG. 11 is a back view of a neck cradle in its folded position showing my new design.
 The broken lines in the drawings depict portions of the neck cradle that form no part of the claimed design.

1 Claim, 5 Drawing Sheets



(56)

References Cited

U.S. PATENT DOCUMENTS

D978,486 S * 2/2023 Wise D2/866
D983,563 S * 4/2023 Li D6/601
2017/0086607 A1* 3/2017 Wong A47G 9/1072

* cited by examiner

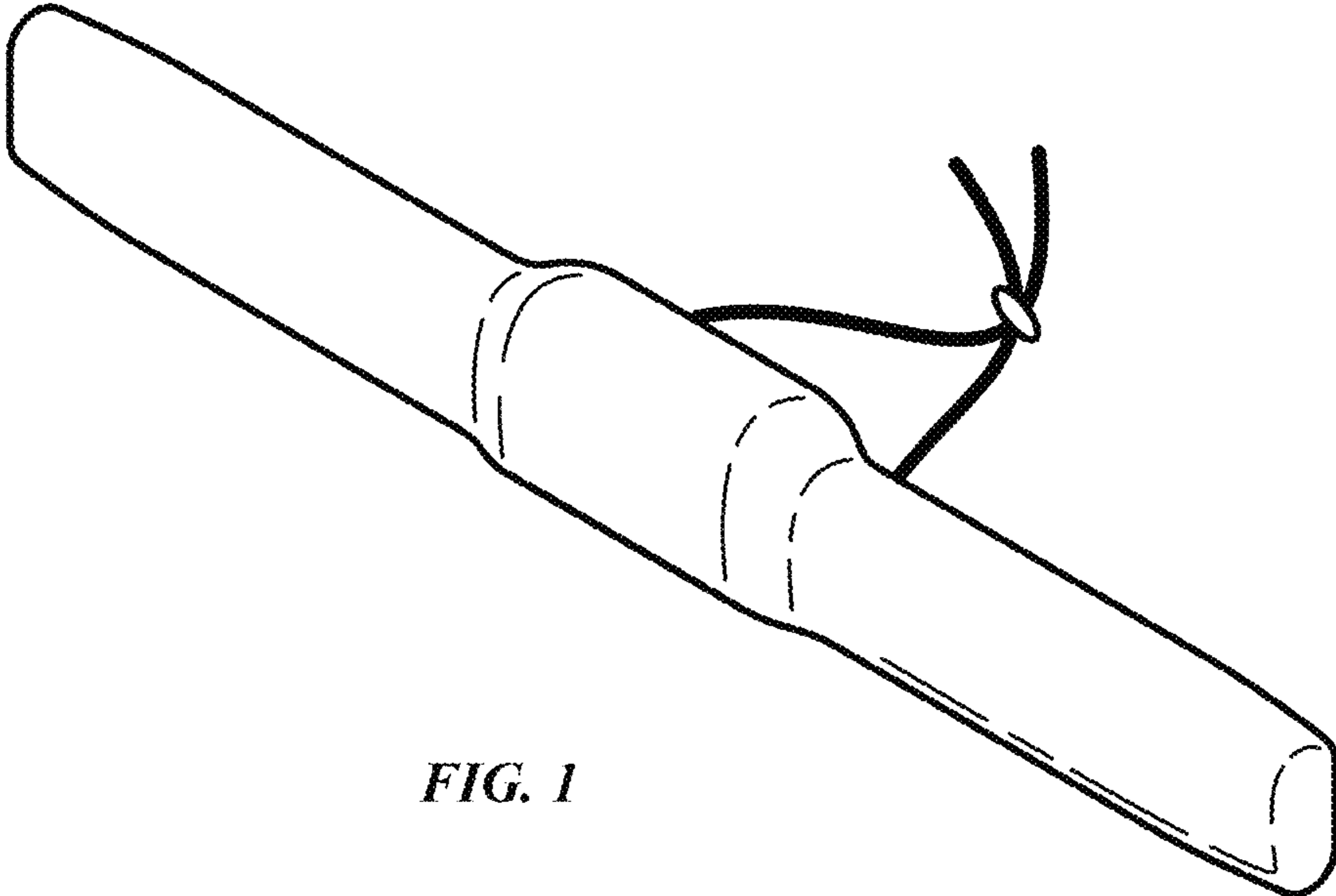


FIG. 1

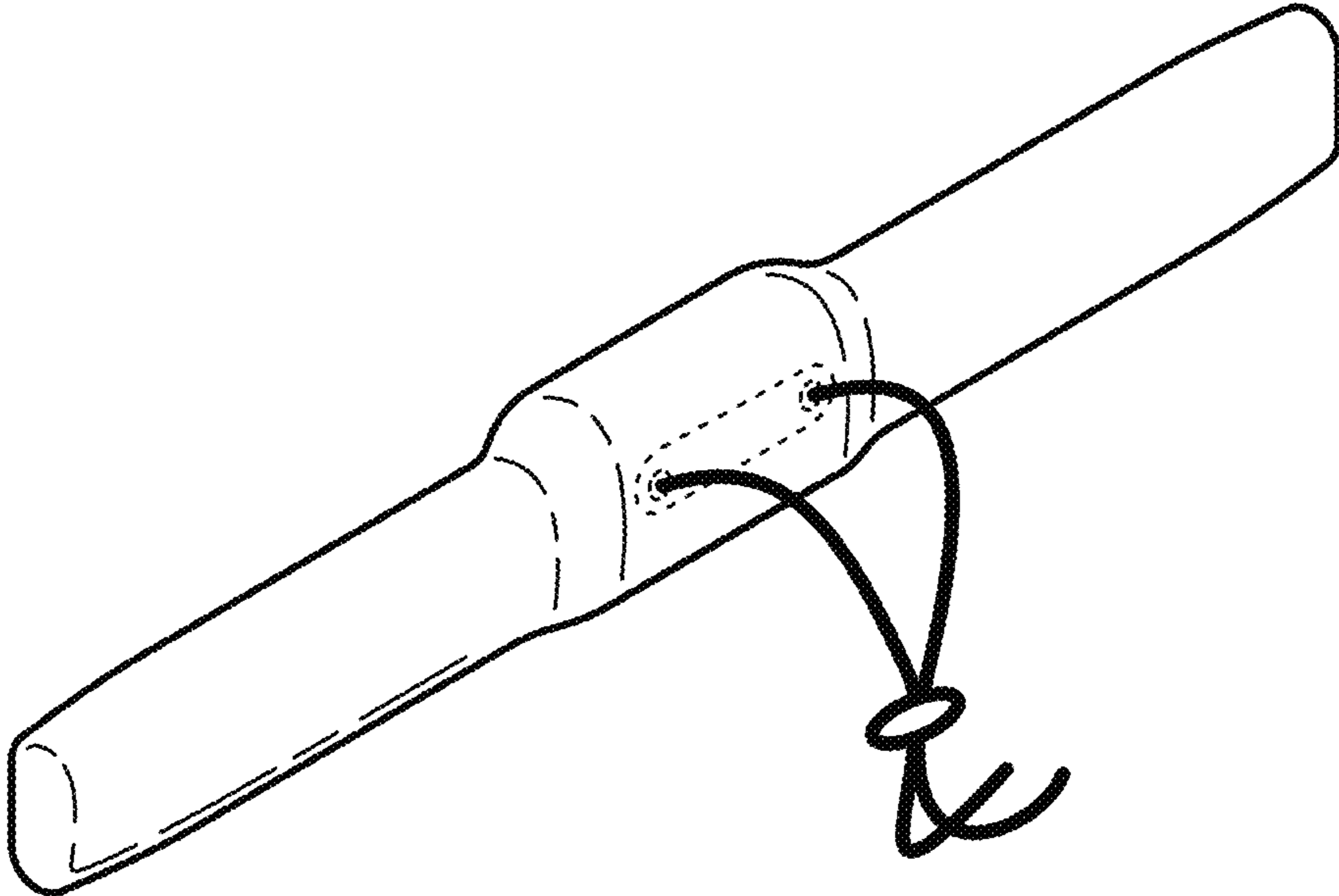


FIG. 2

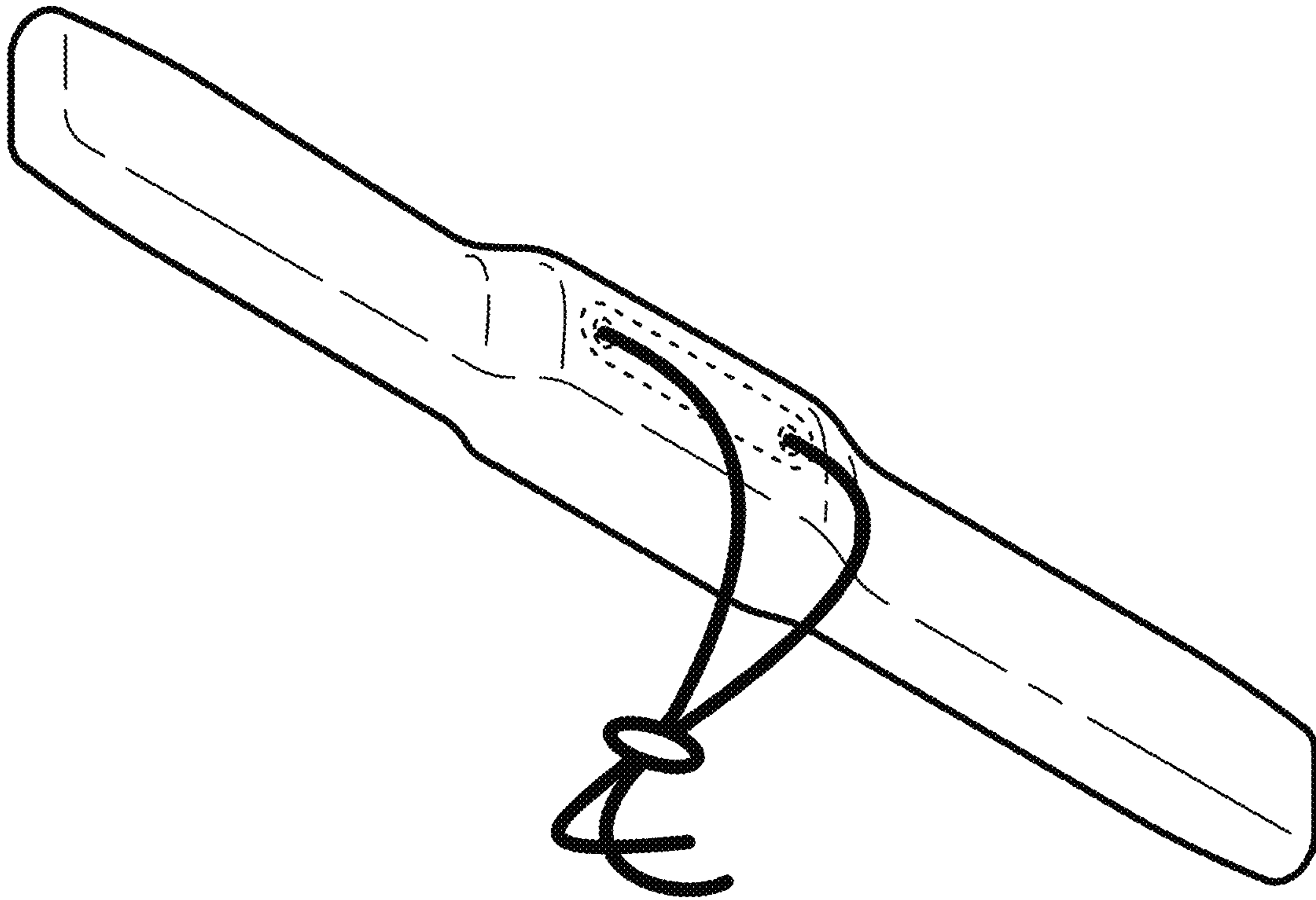


FIG. 3

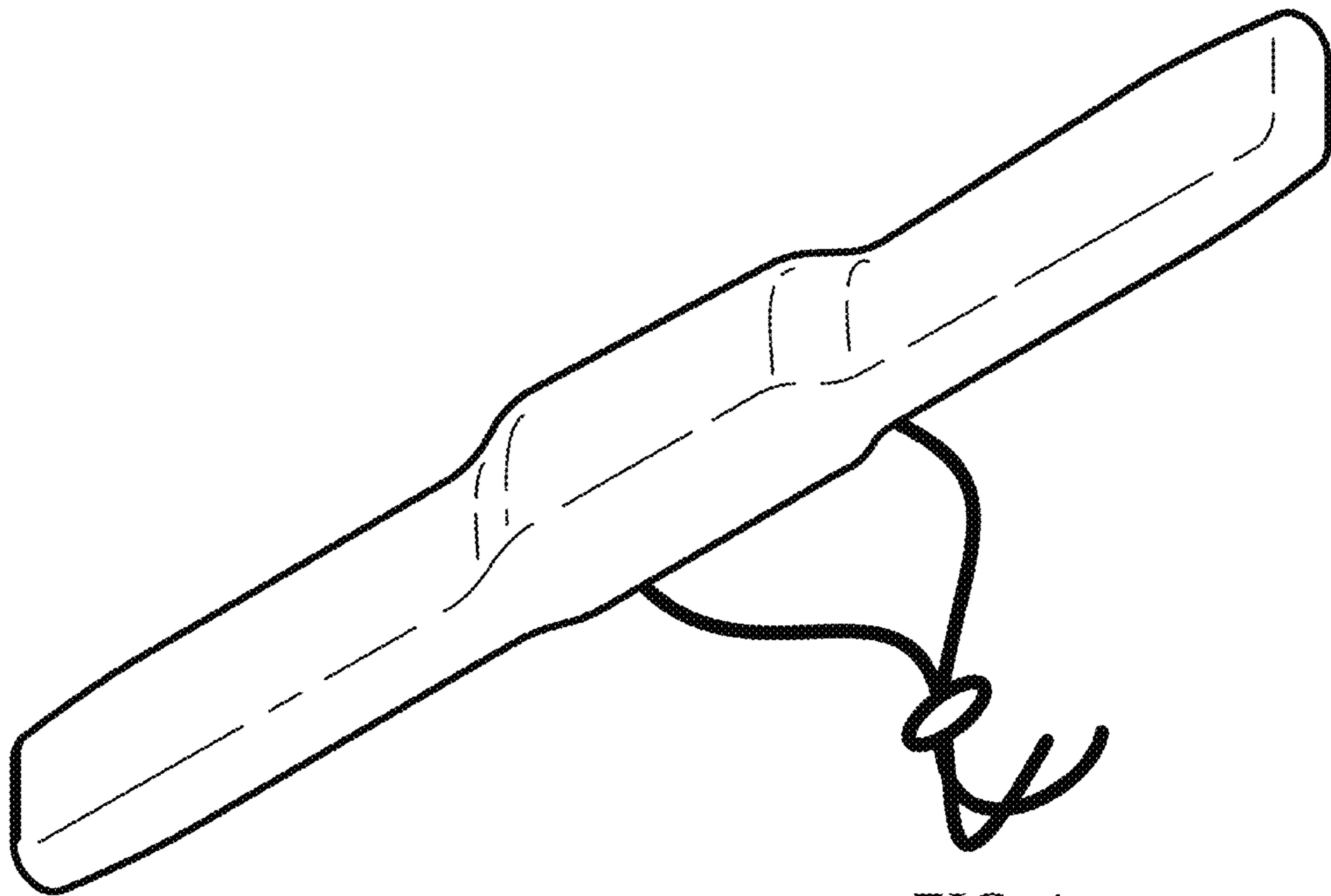


FIG. 4



FIG. 5

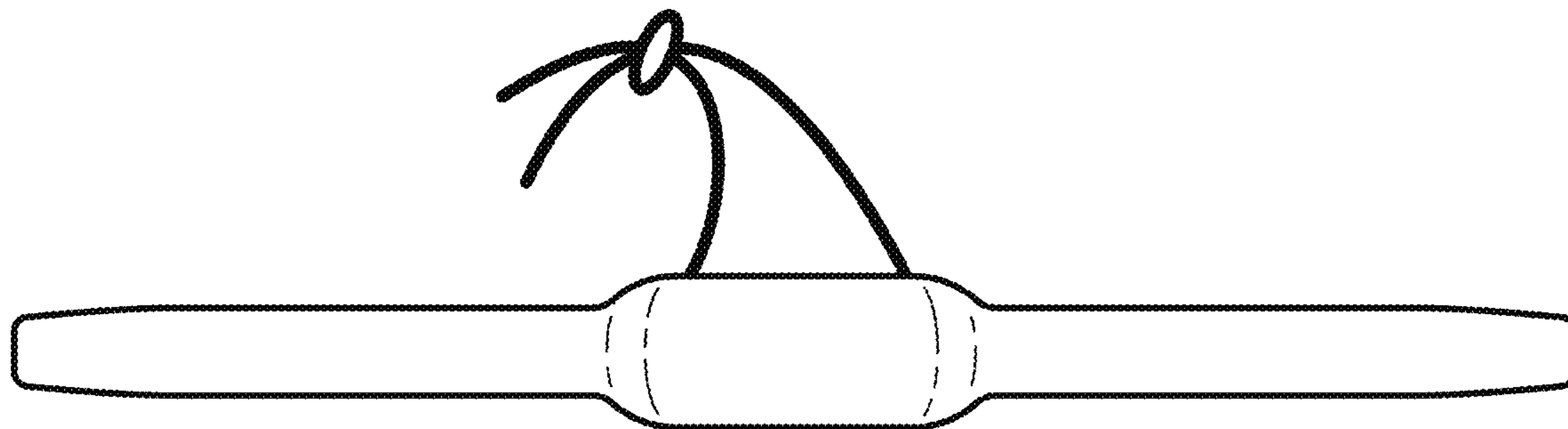


FIG. 6

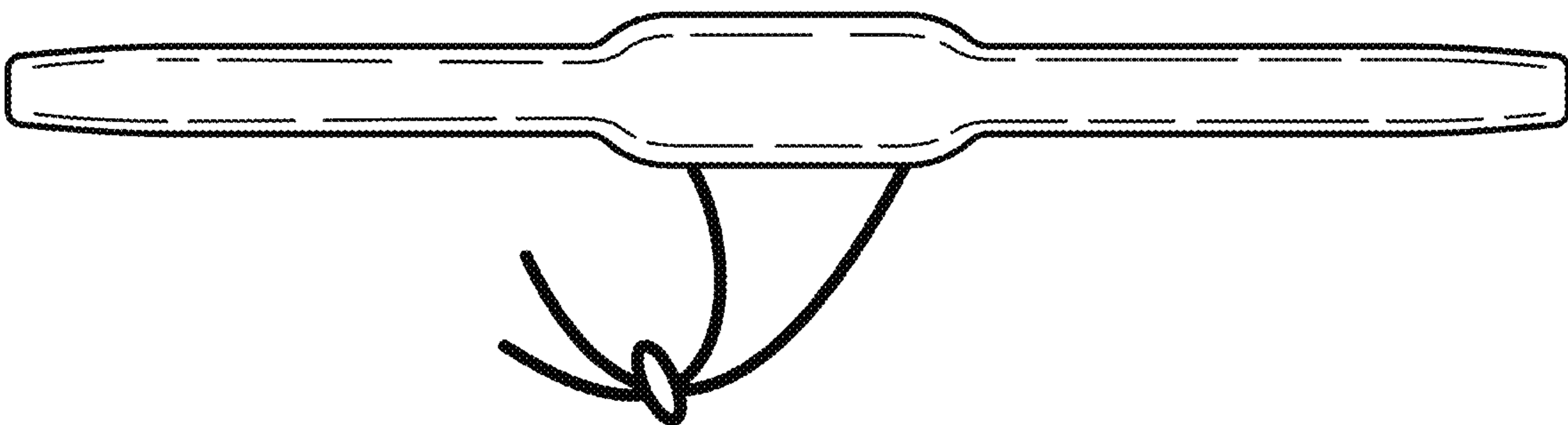


FIG. 7

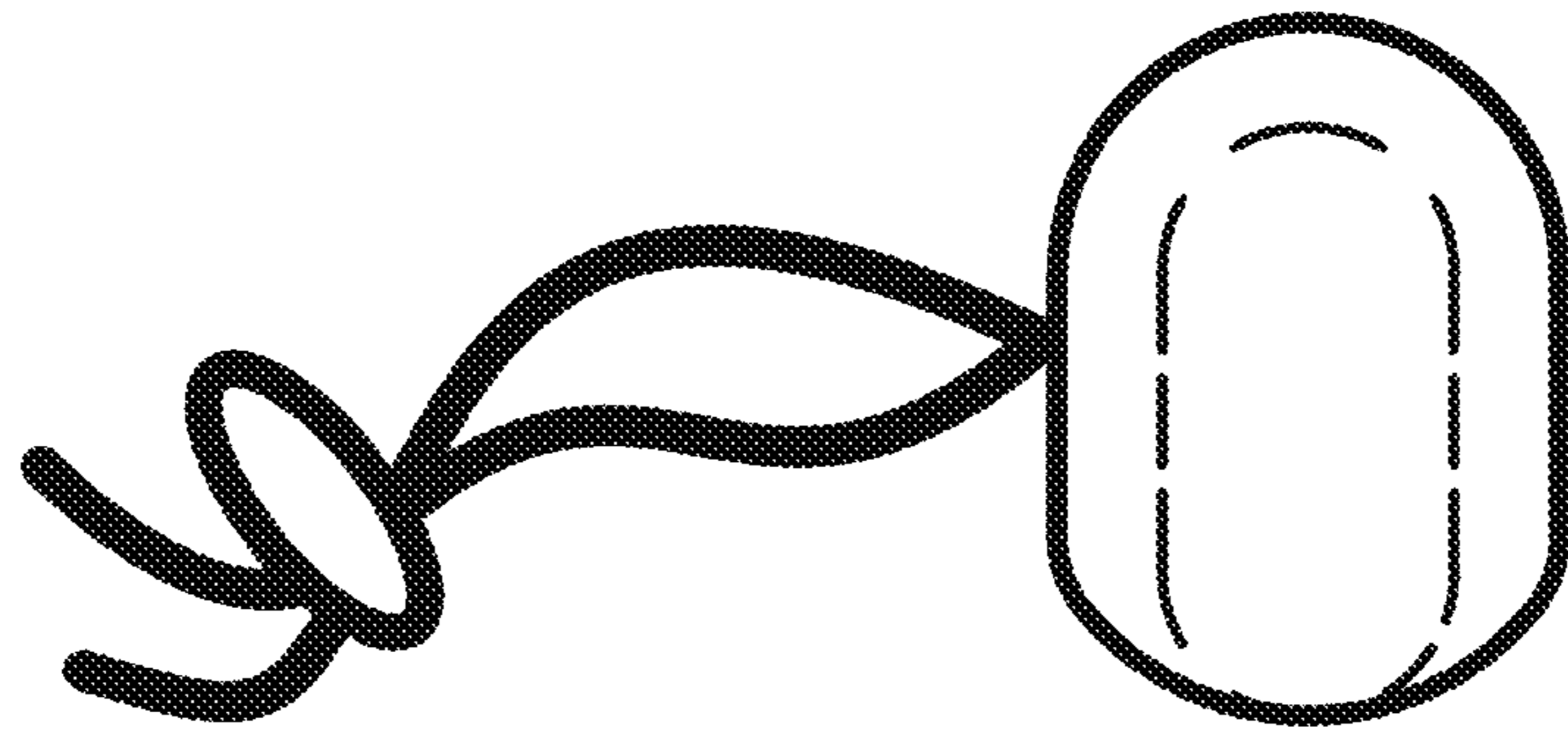


FIG. 8

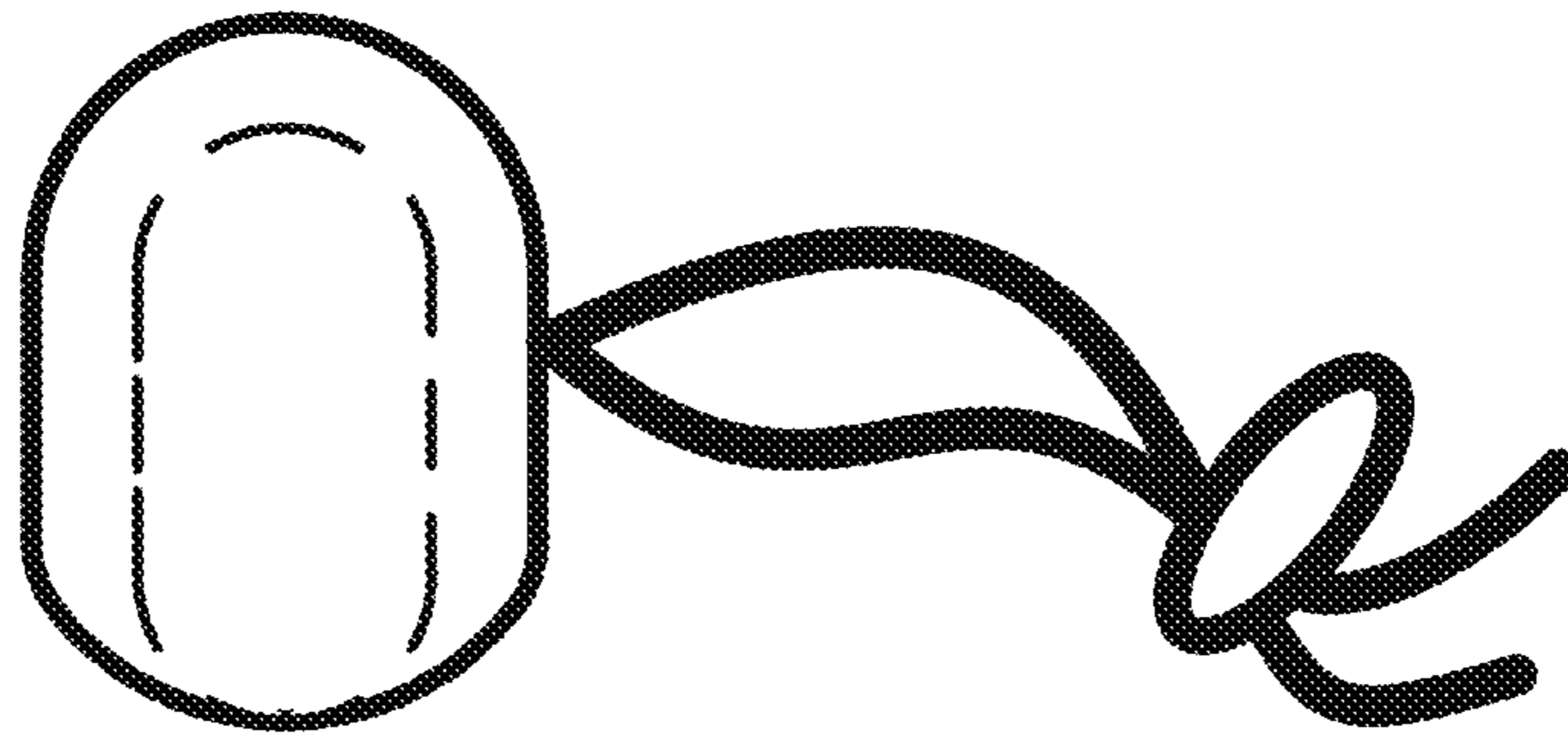


FIG. 9

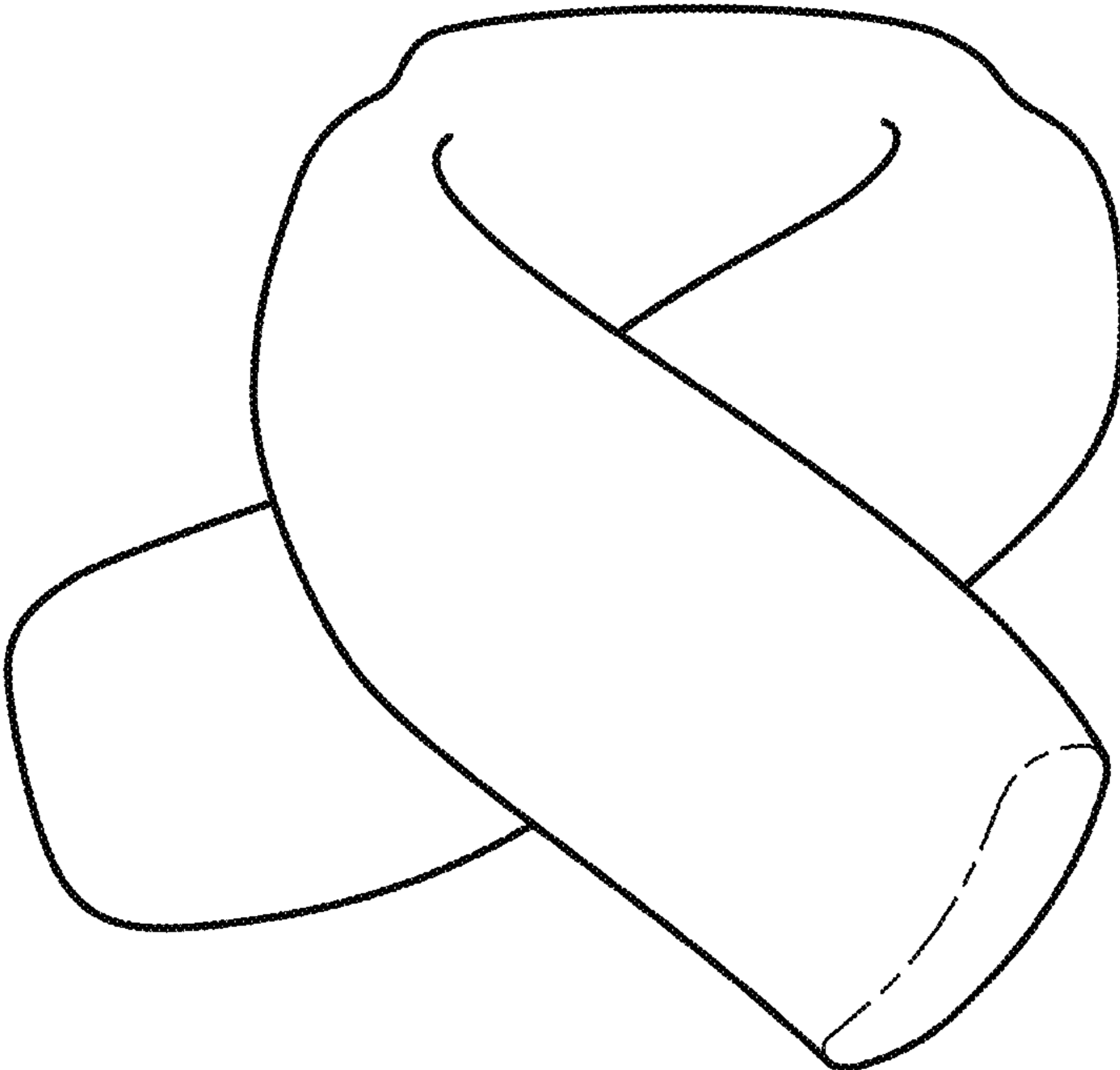


FIG. 10

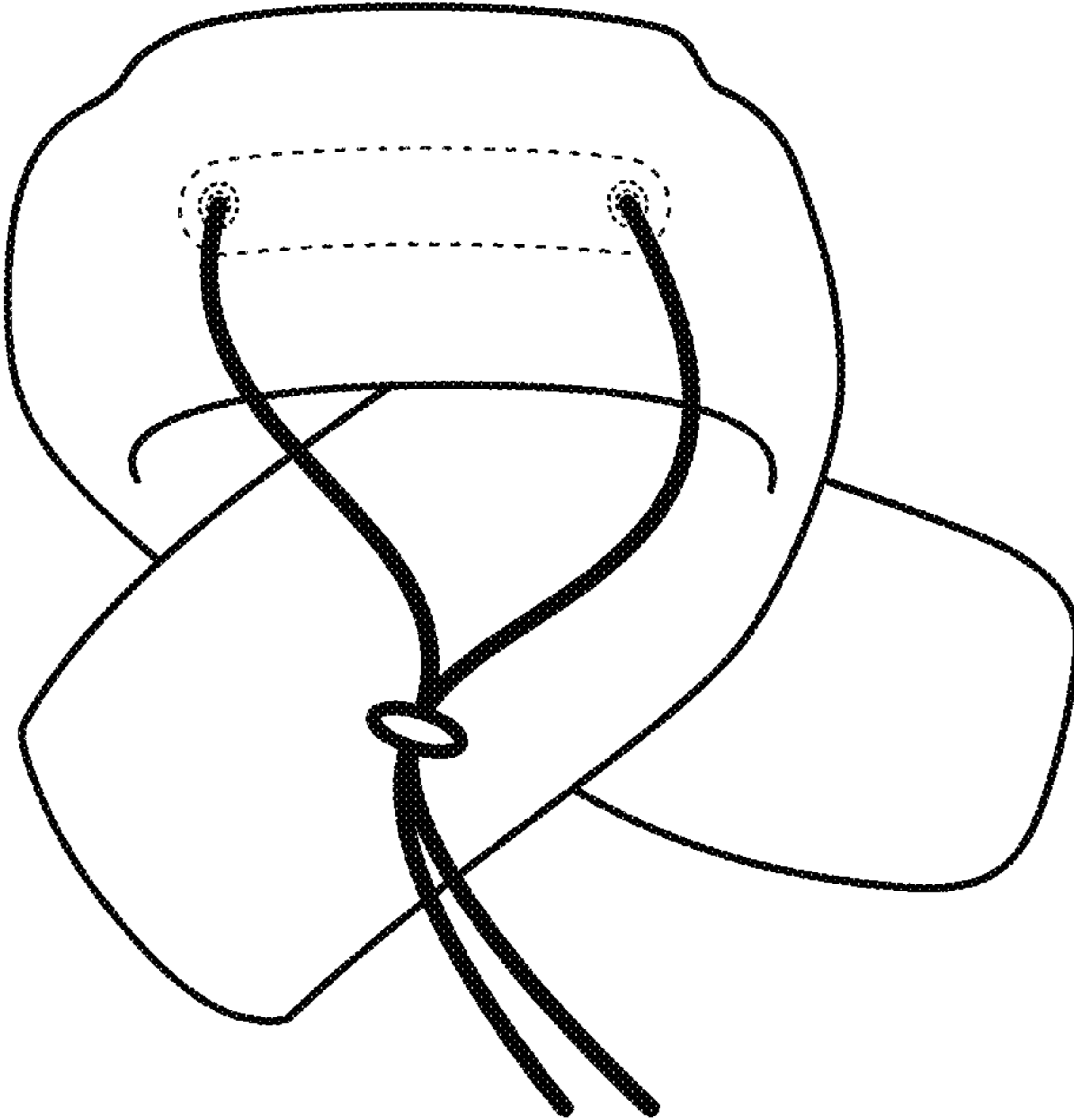


FIG. 11