



US0D1031935S

(12) **United States Design Patent**
Knight

(10) **Patent No.:** **US D1,031,935 S**

(45) **Date of Patent:** **** Jun. 18, 2024**

(54) **NON-SPOUTED BASE FAUCET**

(71) Applicant: **Hayes-Ivy Manufacturing, Inc.**, New Tripoli, PA (US)

(72) Inventor: **Peter H Knight**, Ft. Lauderdale, FL (US)

(**) Term: **15 Years**

(21) Appl. No.: **29/923,820**

(22) Filed: **Jan. 2, 2024**

Related U.S. Application Data

(62) Division of application No. 29/845,152, filed on Jul. 5, 2022, now Pat. No. Des. 1,019,899.

(51) **LOC (14) Cl.** **23-01**

(52) **U.S. Cl.**
USPC **D23/242**

(58) **Field of Classification Search**
USPC D23/238, 241–242, 249–250, 252;
D8/307–308
CPC . E03C 1/0404; E03C 1/02; E03C 1/04; E03C
1/0412; E03C 2001/0415; E03C
2001/0414; F16K 11/207; F16K 19/006;
F16K 11/205
See application file for complete search history.

(56) **References Cited**

U.S. PATENT DOCUMENTS

7,934,520 B2 * 5/2011 Esche E03C 1/0412
137/606
D693,439 S * 11/2013 Shieh D23/241

D696,750 S * 12/2013 Standefer D23/242
D714,911 S * 10/2014 Cai D23/249
D765,227 S * 8/2016 Sallick D23/241
D816,804 S * 5/2018 Chong D23/238
11,280,071 B1 * 3/2022 Knight E03C 1/0404
D979,715 S * 2/2023 Feng D23/241
2008/0277611 A1 * 11/2008 Esche E03C 1/0404
137/625

* cited by examiner

Primary Examiner — Robert A Delehanty

(74) *Attorney, Agent, or Firm* — Inspired Idea Solutions Law Firm

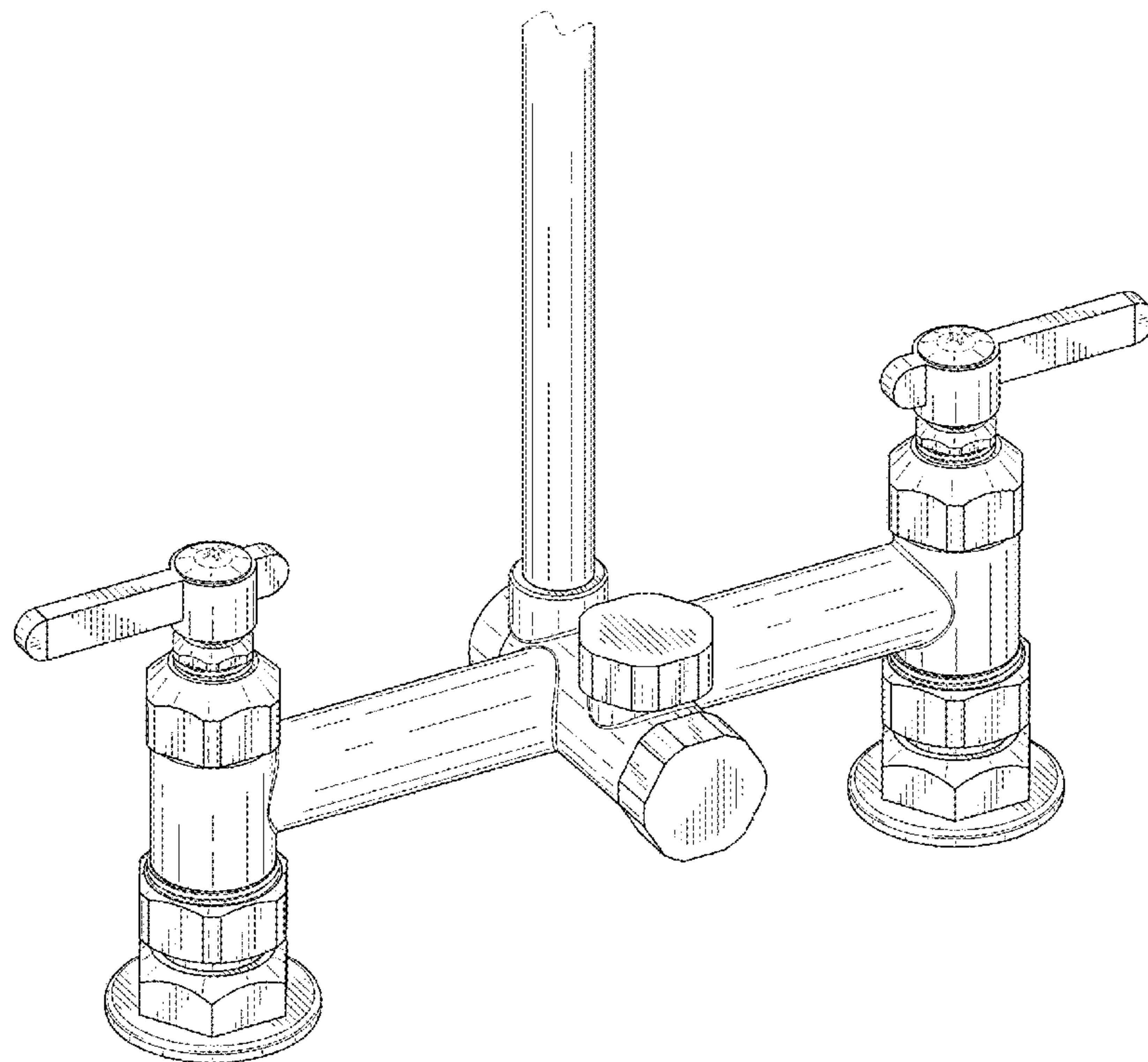
(57) **CLAIM**

The ornamental design for a non-spouted base faucet, as shown.

DESCRIPTION

FIG. 1 is a perspective view of a non-spouted base faucet. FIG. 2 is a perspective view of a non-spouted base faucet. FIG. 3 is a perspective view of a non-spouted base faucet. FIG. 4 is a top plan view of a non-spouted base faucet. FIG. 5 is a bottom plan view of a non-spouted base faucet. FIG. 6 is a left elevation view of a non-spouted base faucet. FIG. 7 is a front elevation view of a non-spouted base faucet; and, FIG. 8 is a rear elevation view of a non-spouted base faucet. The broken lines shown in the drawings represent unclaimed portions of the faucet and forms no part of the claimed design.

1 Claim, 7 Drawing Sheets



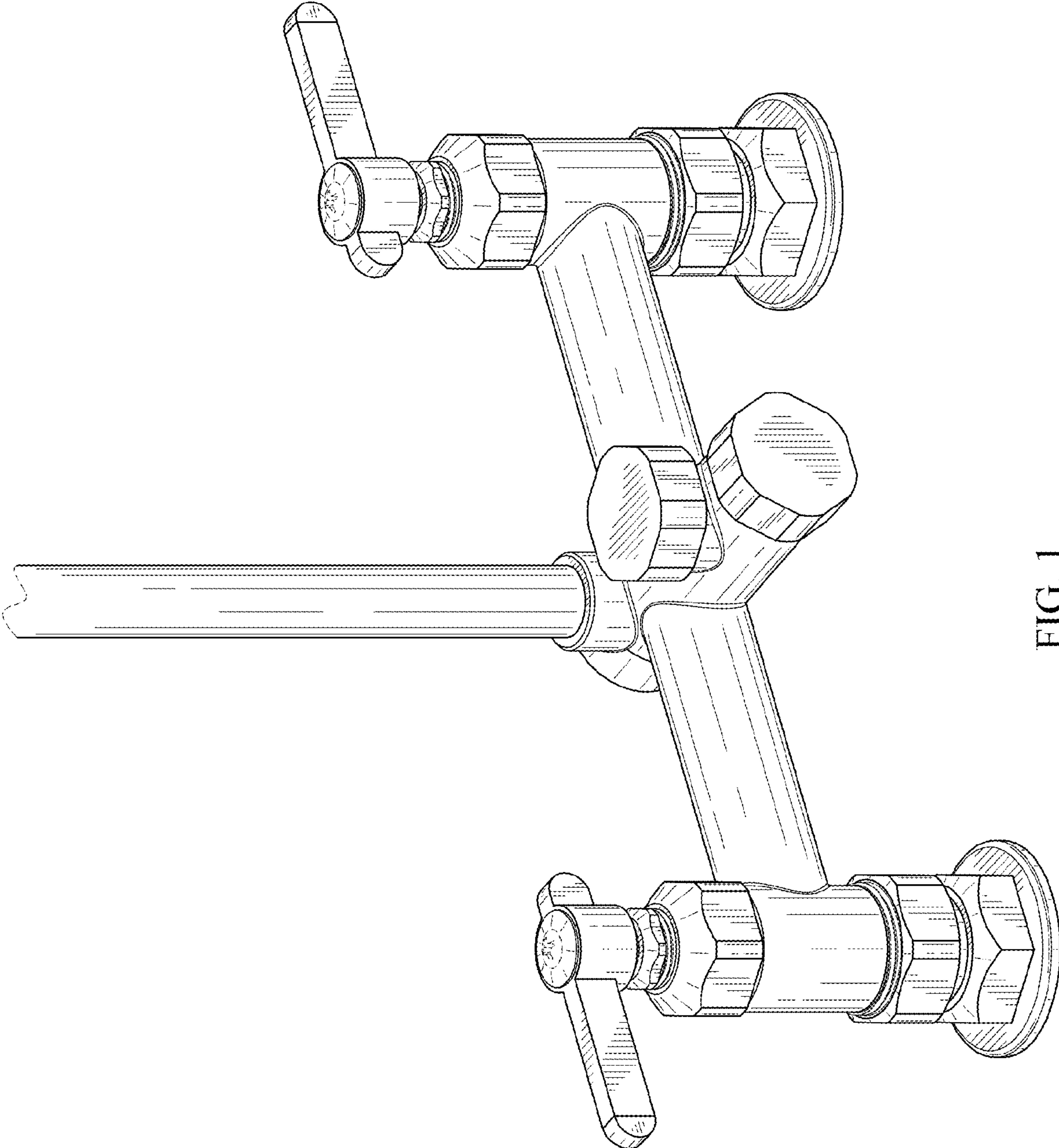


FIG. 1

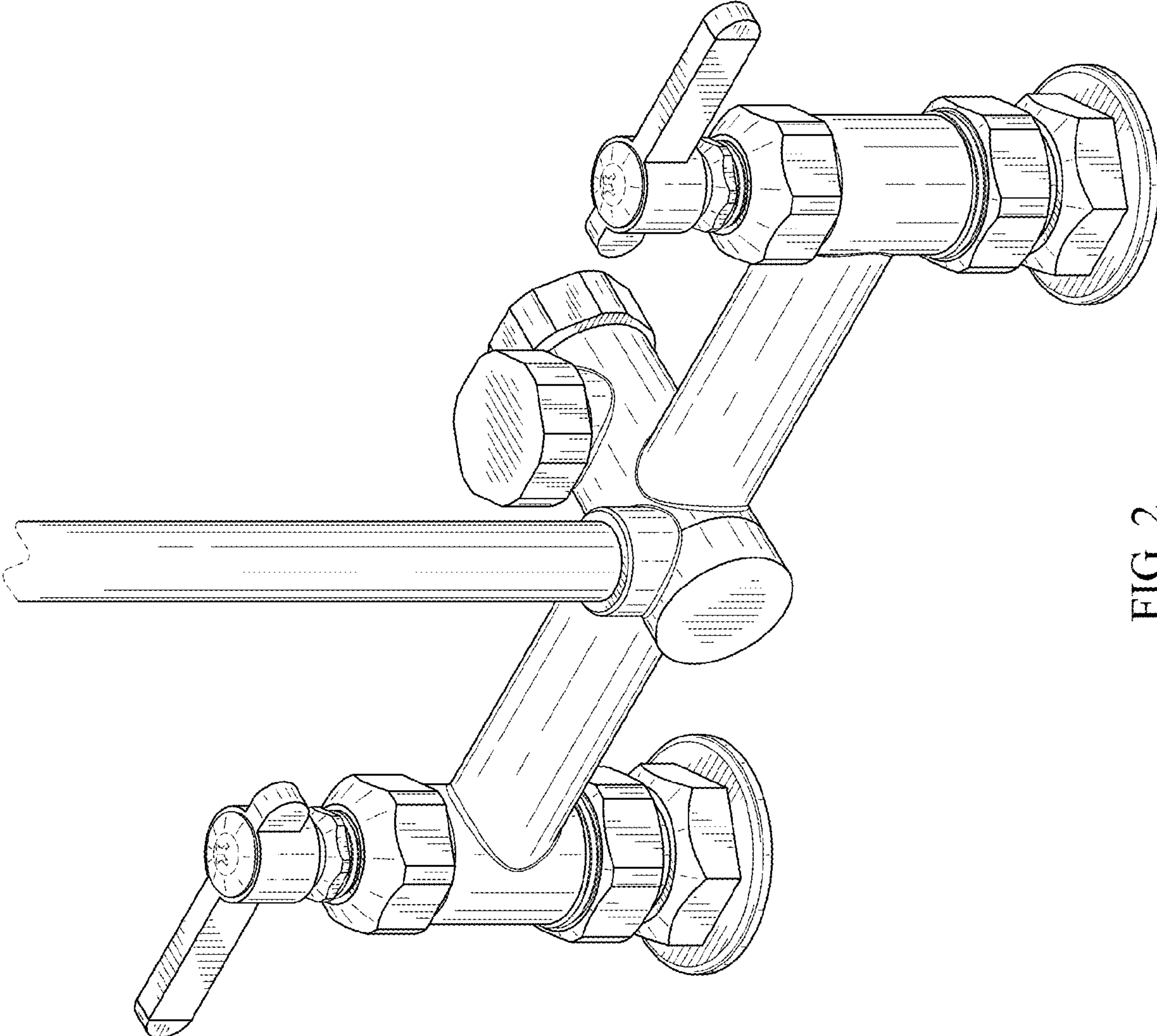


FIG. 2

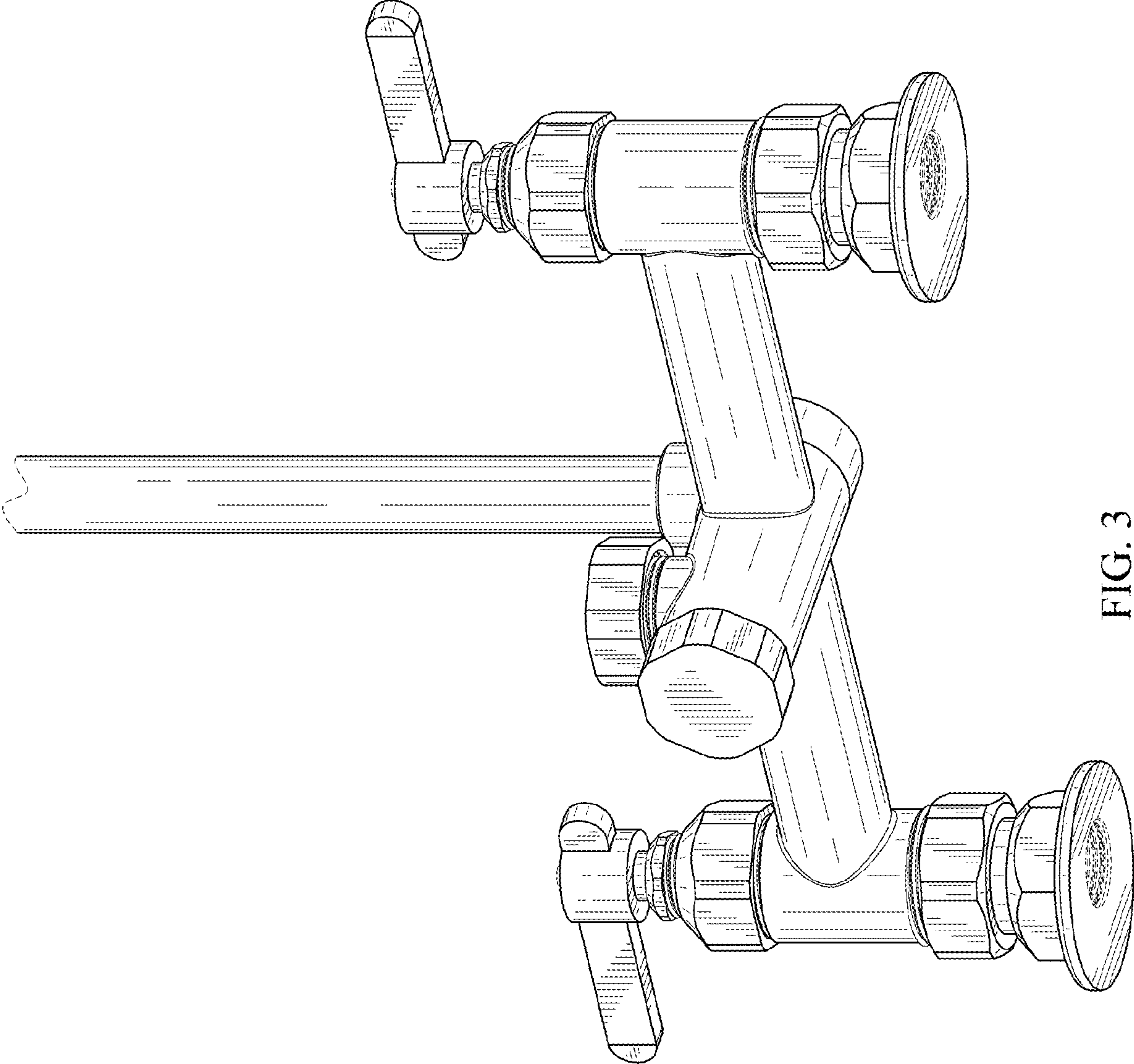


FIG. 3

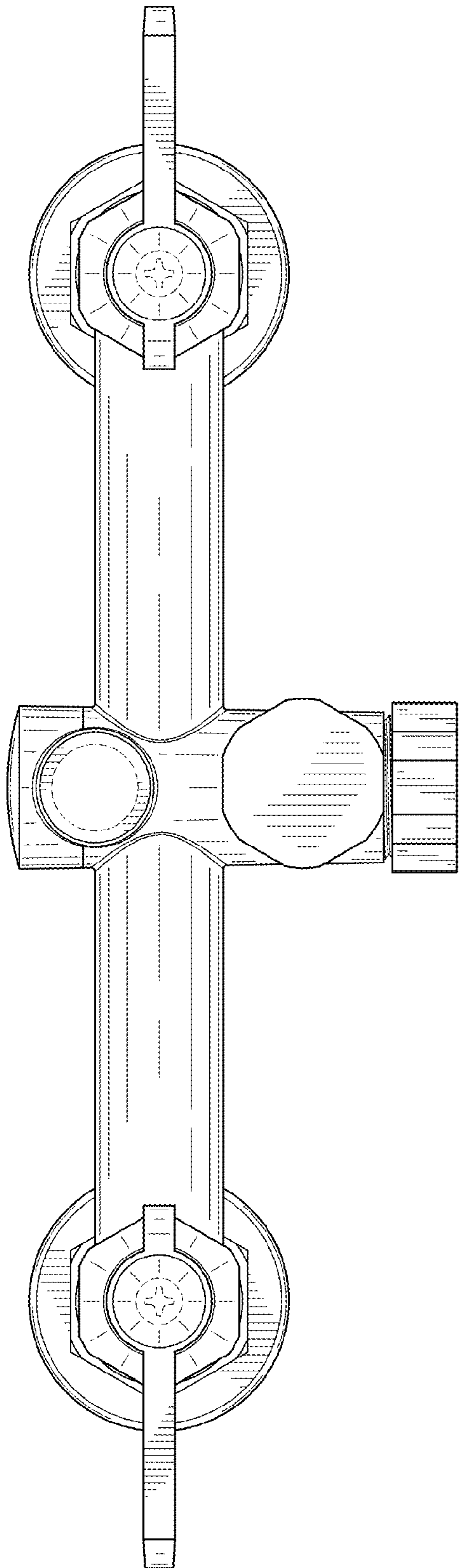


FIG. 4

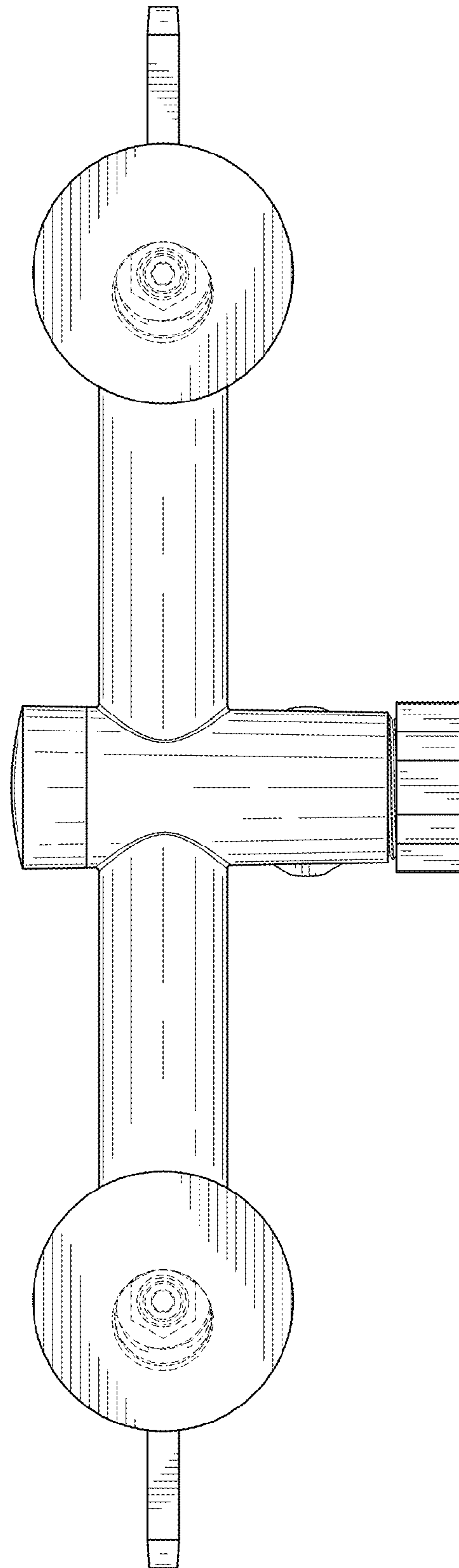


FIG. 5

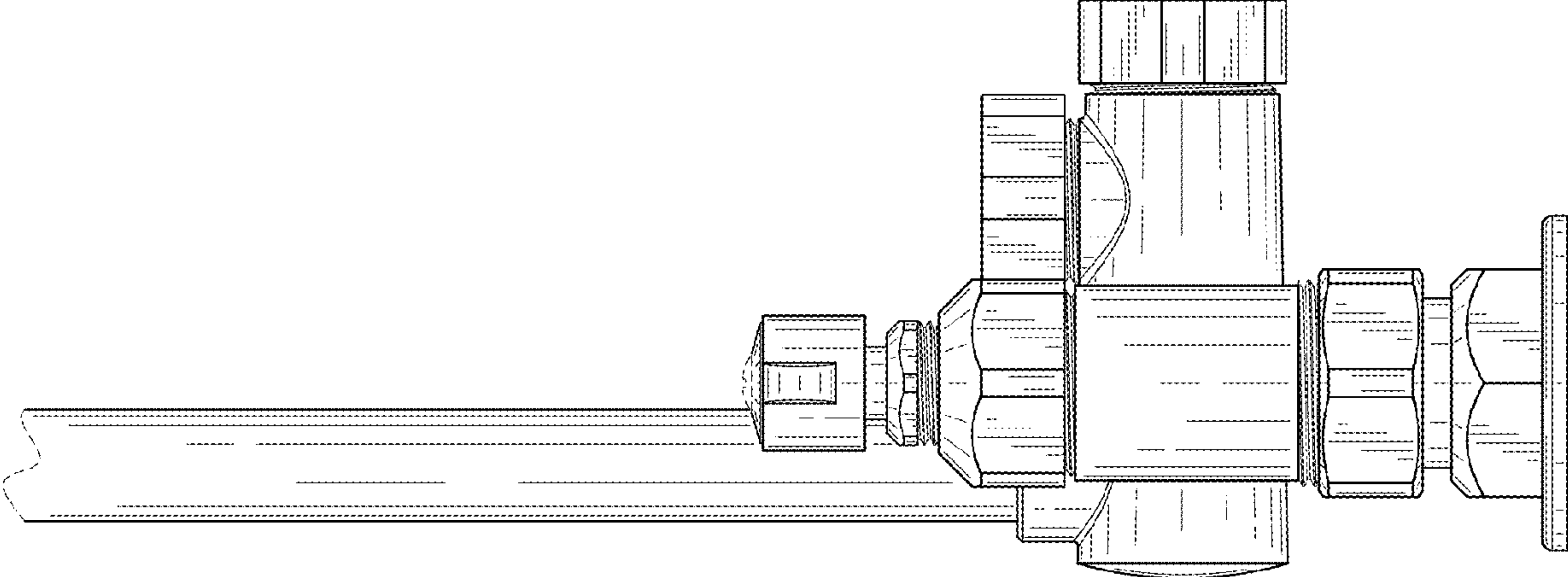


FIG. 6

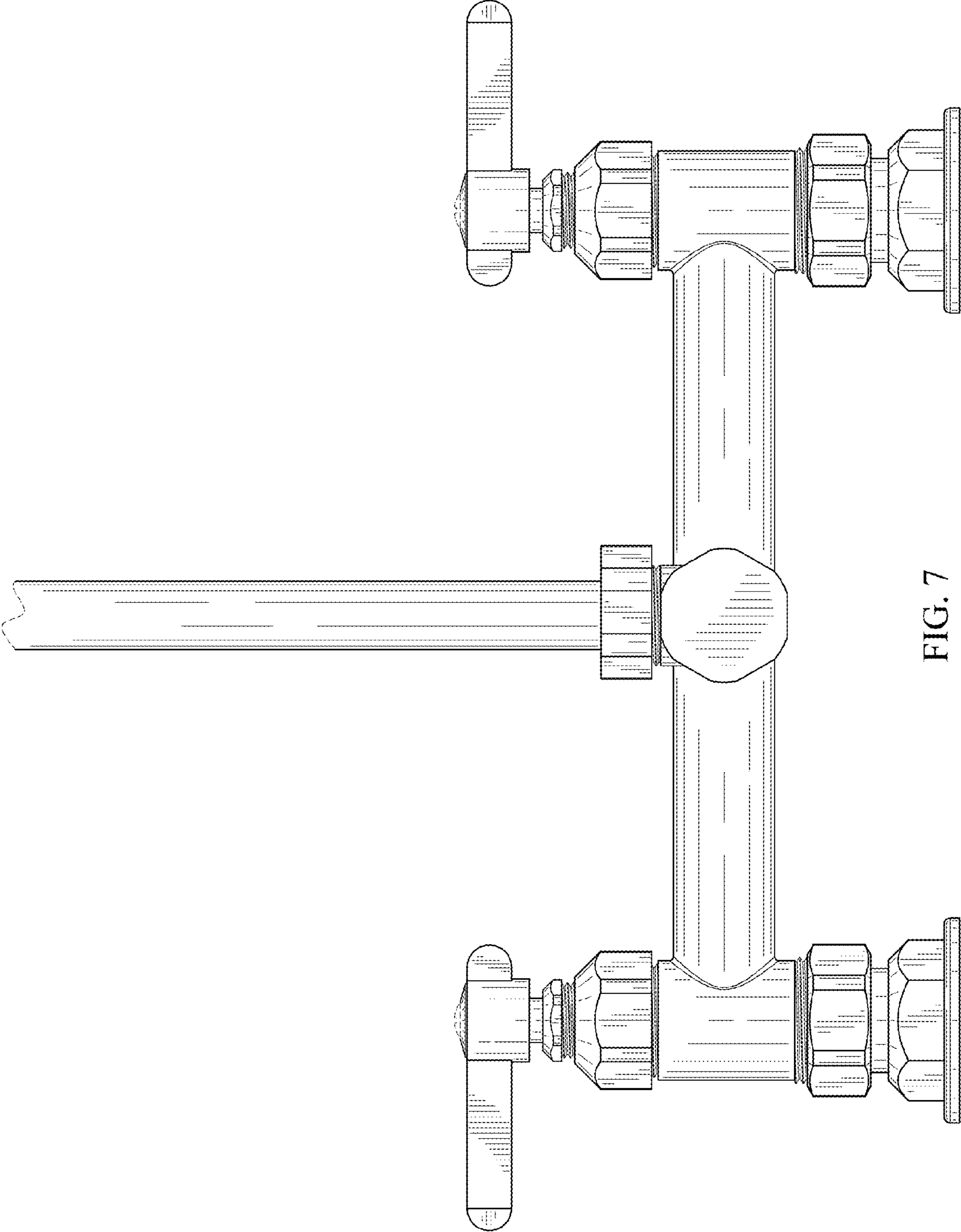


FIG. 7

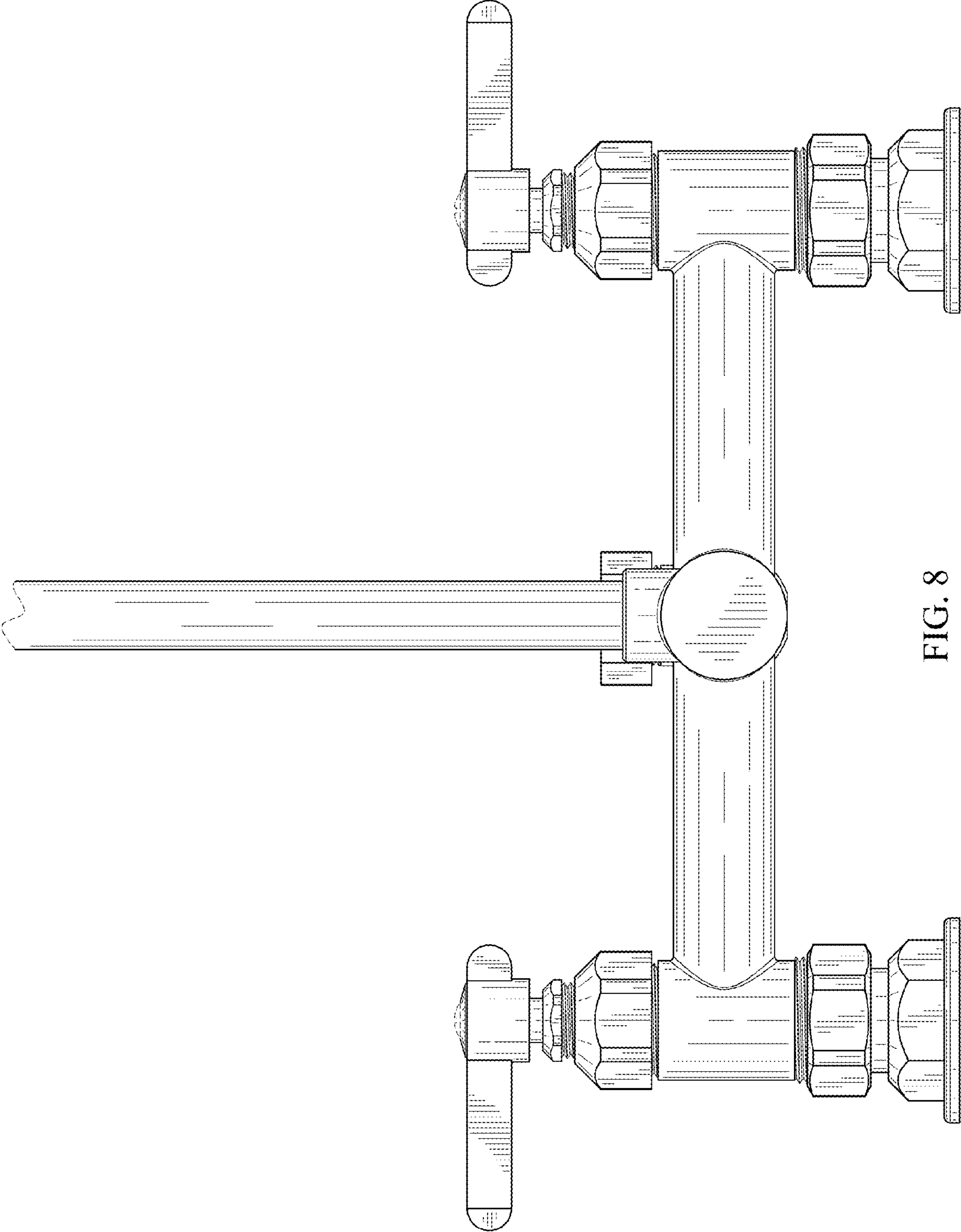


FIG. 8