



US0D1031896S

(12) **United States Design Patent**
Jernigan et al.

(10) **Patent No.:** **US D1,031,896 S**

(45) **Date of Patent:** **** Jun. 18, 2024**

(54) **CHEERLEADING STUNT TRAINING
DEVICE**

(71) Applicants: **Harry Jernigan**, Evans, GA (US);
Ashley Jernigan, Evans, GA (US); **Ava
Jernigan**, Evans, GA (US); **Addison
Jernigan**, Evans, GA (US)

(72) Inventors: **Harry Jernigan**, Evans, GA (US);
Ashley Jernigan, Evans, GA (US); **Ava
Jernigan**, Evans, GA (US); **Addison
Jernigan**, Evans, GA (US)

(**) Term: **15 Years**

(21) Appl. No.: **29/789,406**

(22) Filed: **Sep. 21, 2021**

(51) **LOC (14) Cl.** **21-02**

(52) **U.S. Cl.**
USPC **D21/797**; D21/688

(58) **Field of Classification Search**
USPC D21/662, 690, 694, 686, 685, 672, 688,
D21/668, 673, 682, 677, 665, 796-797,
D21/791; D24/192, 212-214, 227;
D6/332, 349

CPC A63B 26/003; A63B 22/16; A63B 22/18;
A63B 21/0442; A63B 21/0004; A63B
2208/0204; A63B 23/0458

See application file for complete search history.

(56) **References Cited**

U.S. PATENT DOCUMENTS

D306,049 S *	2/1990	Bancroft	D21/688
D507,026 S *	7/2005	Chen	D21/688
D564,604 S *	3/2008	Mikail	D21/688
D612,896 S *	3/2010	Talley	D21/686
D627,015 S *	11/2010	Senegal	D21/662
D736,865 S *	8/2015	Erickson	D21/662
D749,178 S *	2/2016	Nicholas	D21/686

D776,212 S *	1/2017	Nicholas	D21/686
D785,106 S *	4/2017	Panes	D21/688
D843,515 S *	3/2019	Agostini	D21/688
D848,623 S *	5/2019	Franché	D24/188
D886,922 S *	6/2020	Hwang	D21/689
D894,297 S *	8/2020	Matsushita	D21/662
D898,841 S *	10/2020	Chiu	D21/662
D970,657 S *	11/2022	Hu	D21/688

OTHER PUBLICATIONS

Stunt Trainer. Online, published date Apr. 6, 2021. Retrieved on Oct. 18, 2023 from URL: <https://www.youtube.com/watch?v=MI6vZ1SFYtA>.*

* cited by examiner

Primary Examiner — Richard Edgar

Assistant Examiner — David Truong

(74) *Attorney, Agent, or Firm* — Dunlap Bennett & Ludwig, PLLC; Anna L. Kinney

(57) **CLAIM**

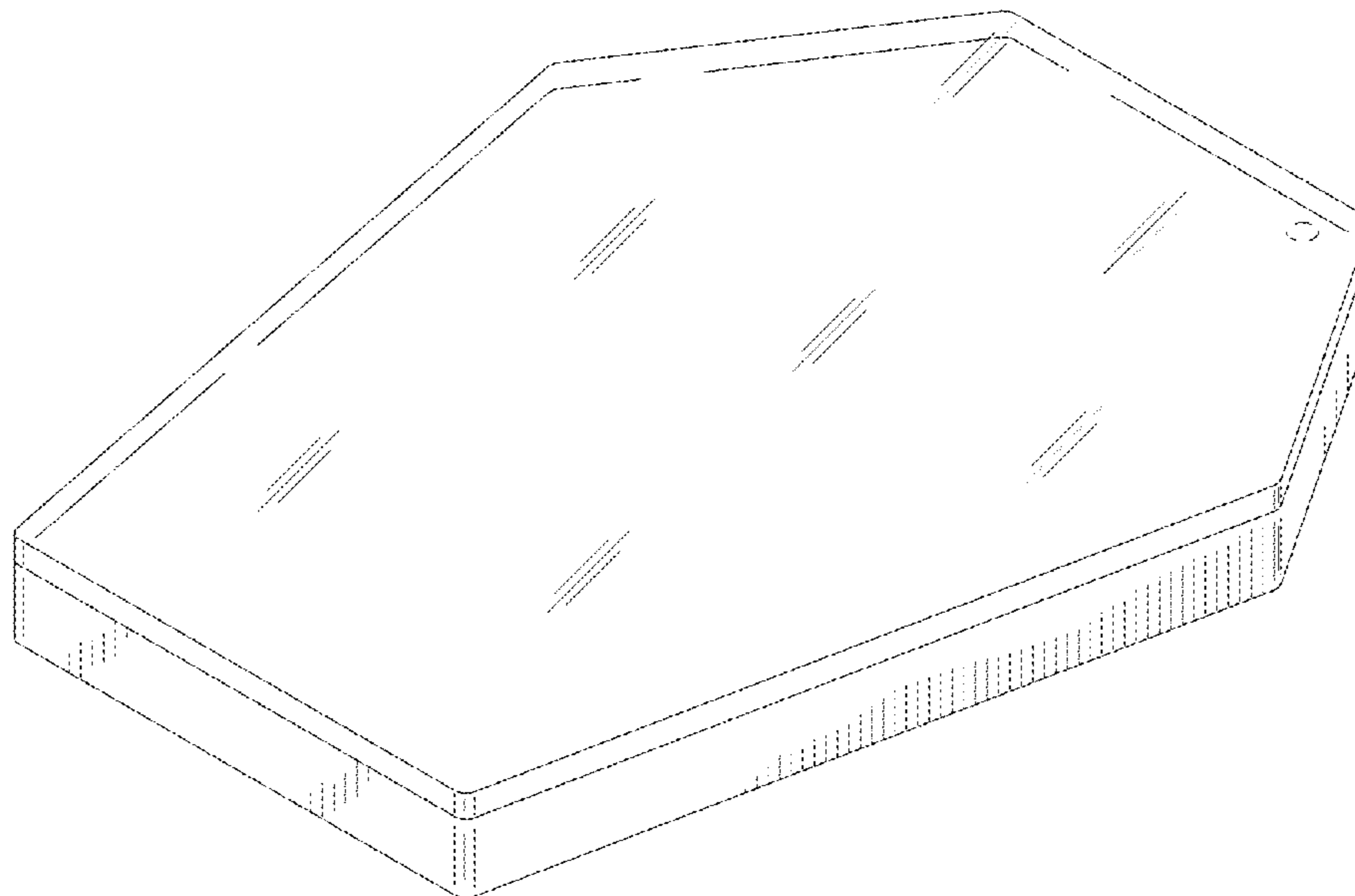
The ornamental design for a cheerleading stunt training device, as shown and described.

DESCRIPTION

FIG. 1 is a top front perspective view of a cheerleading stunt training device showing our new design; FIG. 2 is a bottom front perspective view thereof; FIG. 3 is a top plan view thereof; FIG. 4 is a bottom plan view thereof; FIG. 5 is a front elevation view thereof; FIG. 6 is a rear elevation view thereof; and, FIG. 7 is a right side elevation view thereof, with the left side elevation view being a mirror image thereof.

The broken lines shown in the drawings depict portions of the cheerleading stunt training device that form no part of the claimed design.

1 Claim, 4 Drawing Sheets



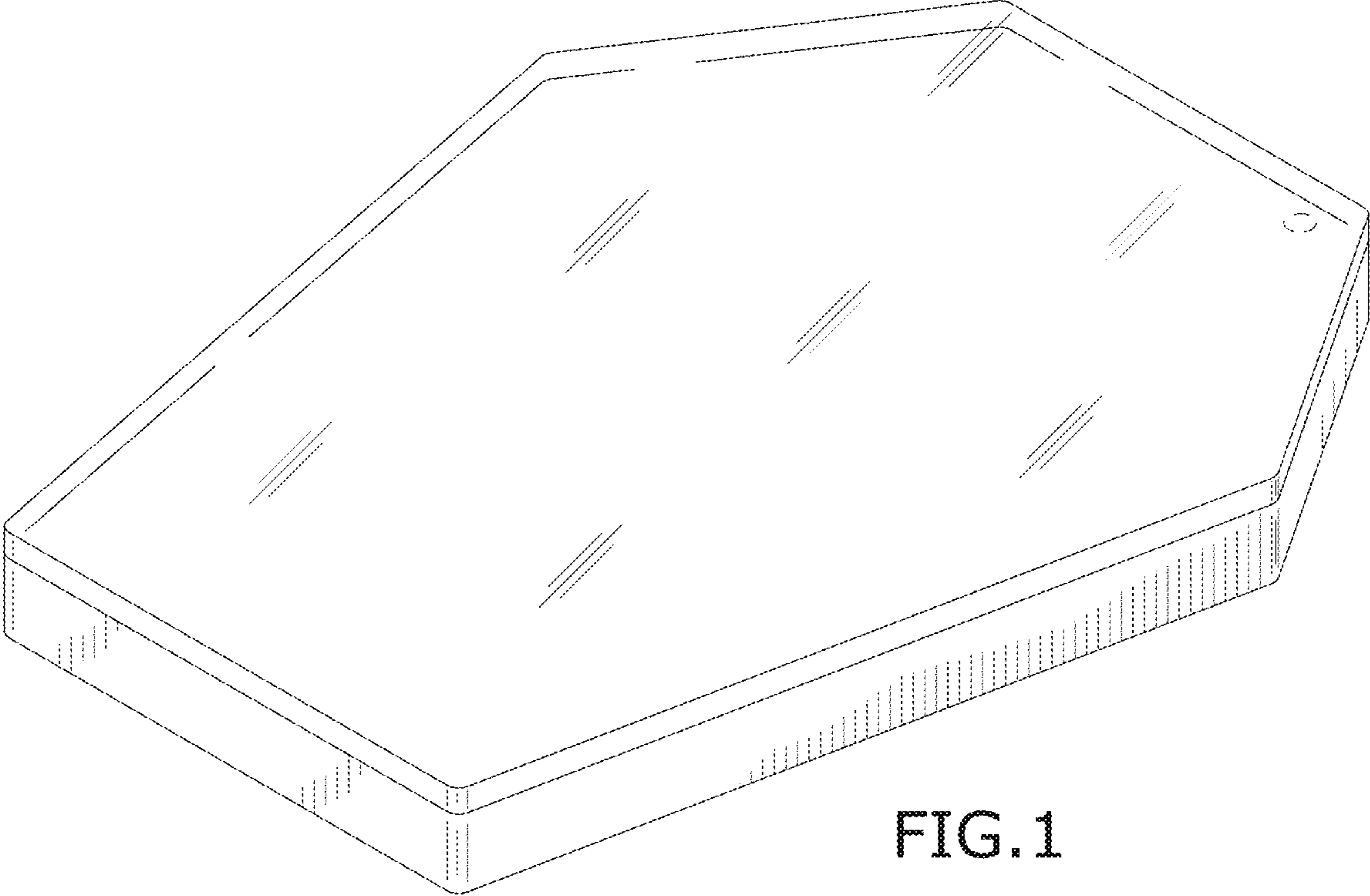


FIG. 1

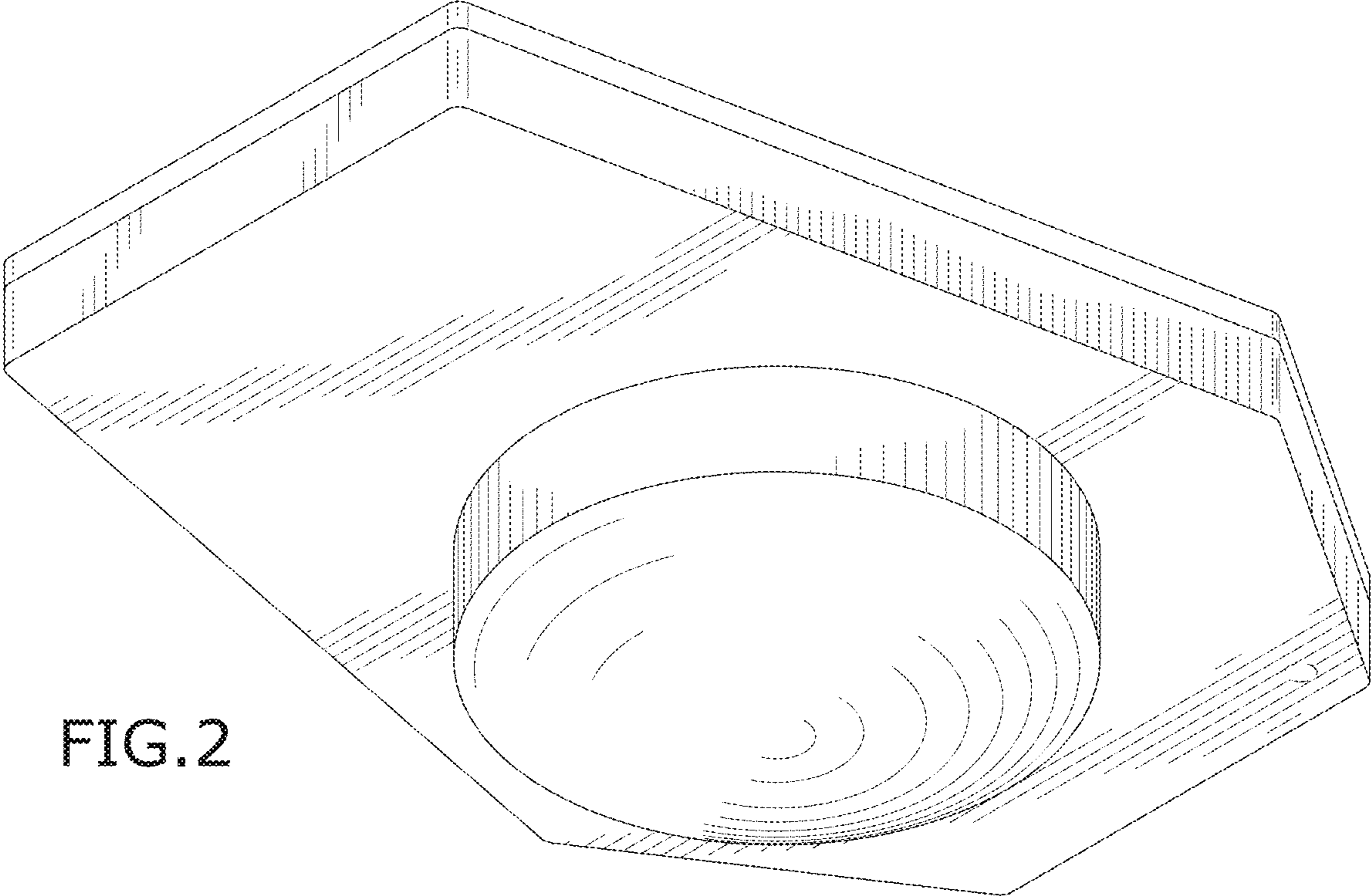


FIG. 2

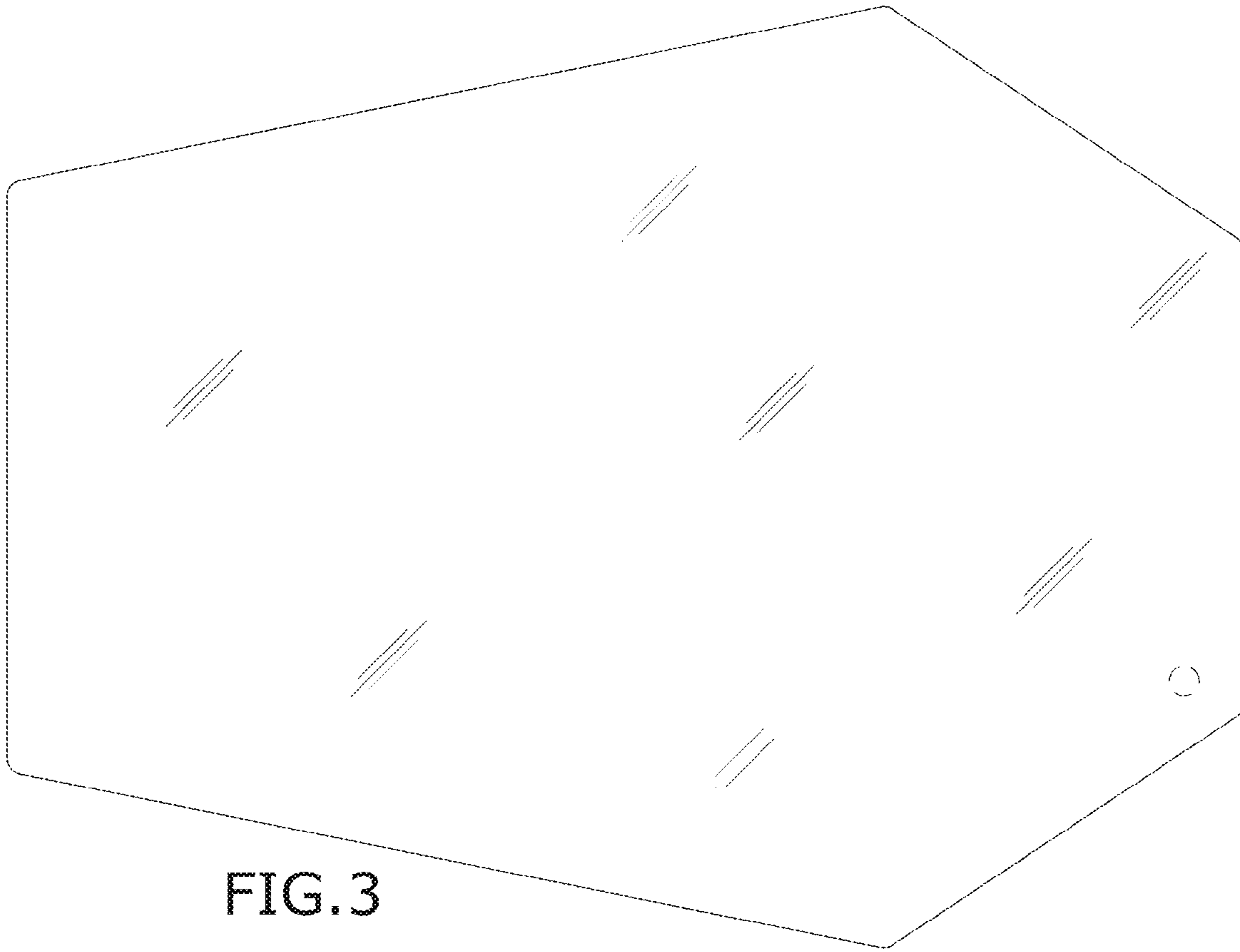


FIG. 3

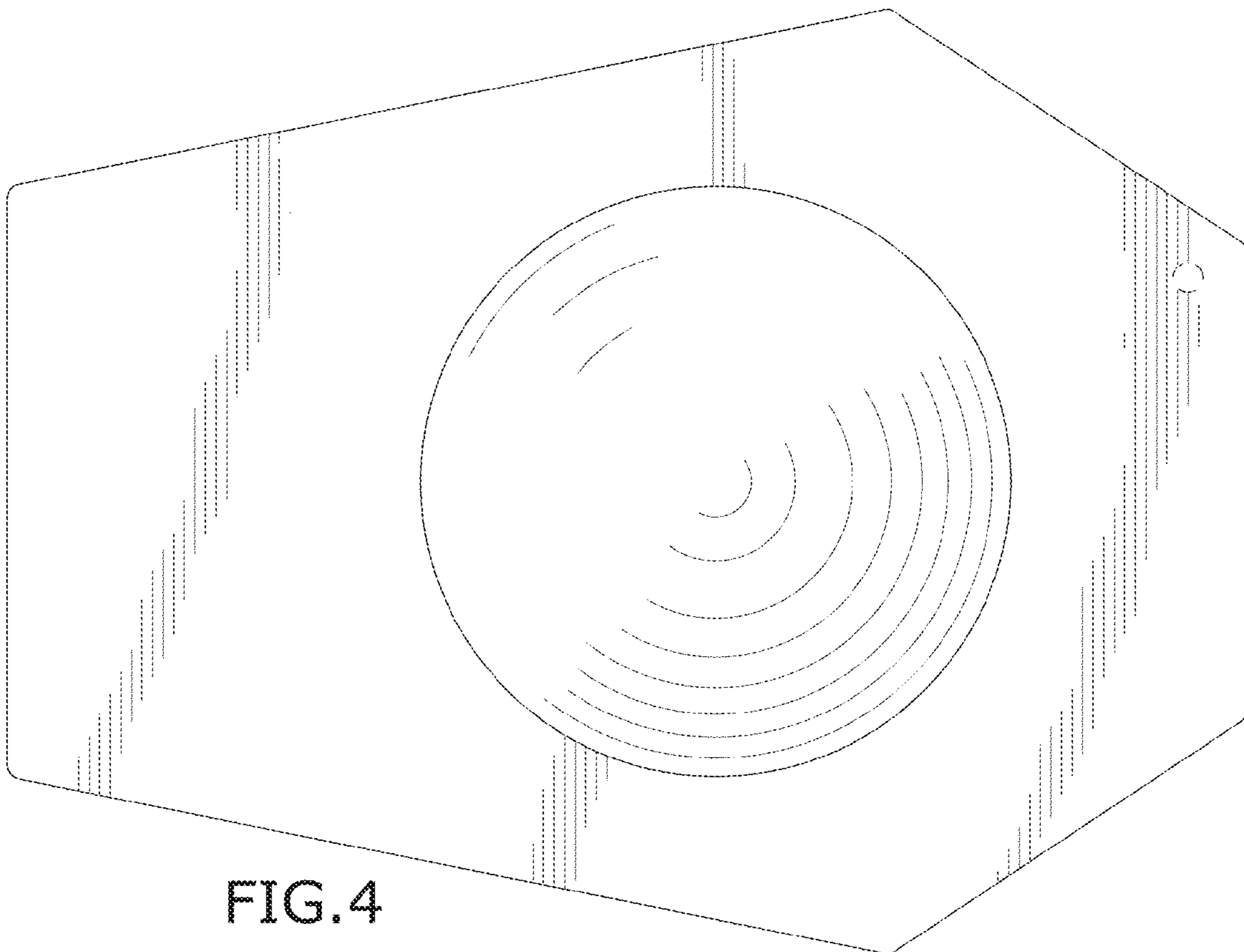


FIG. 4

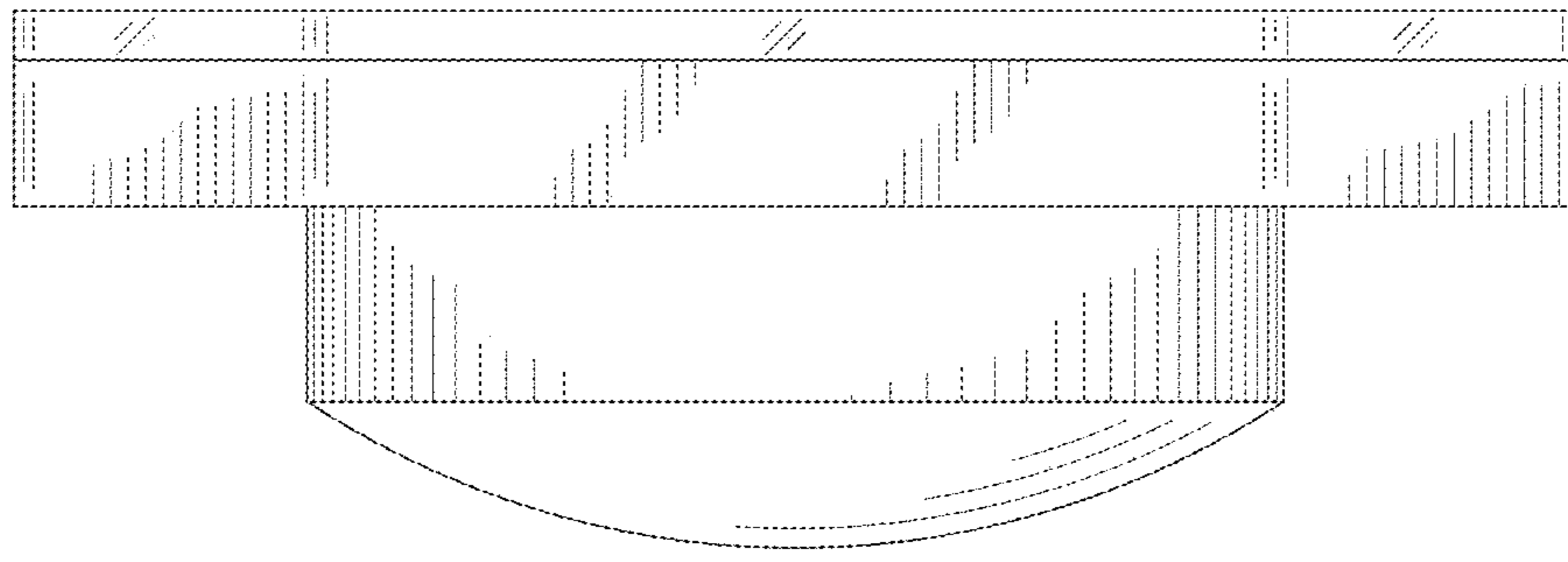


FIG. 5

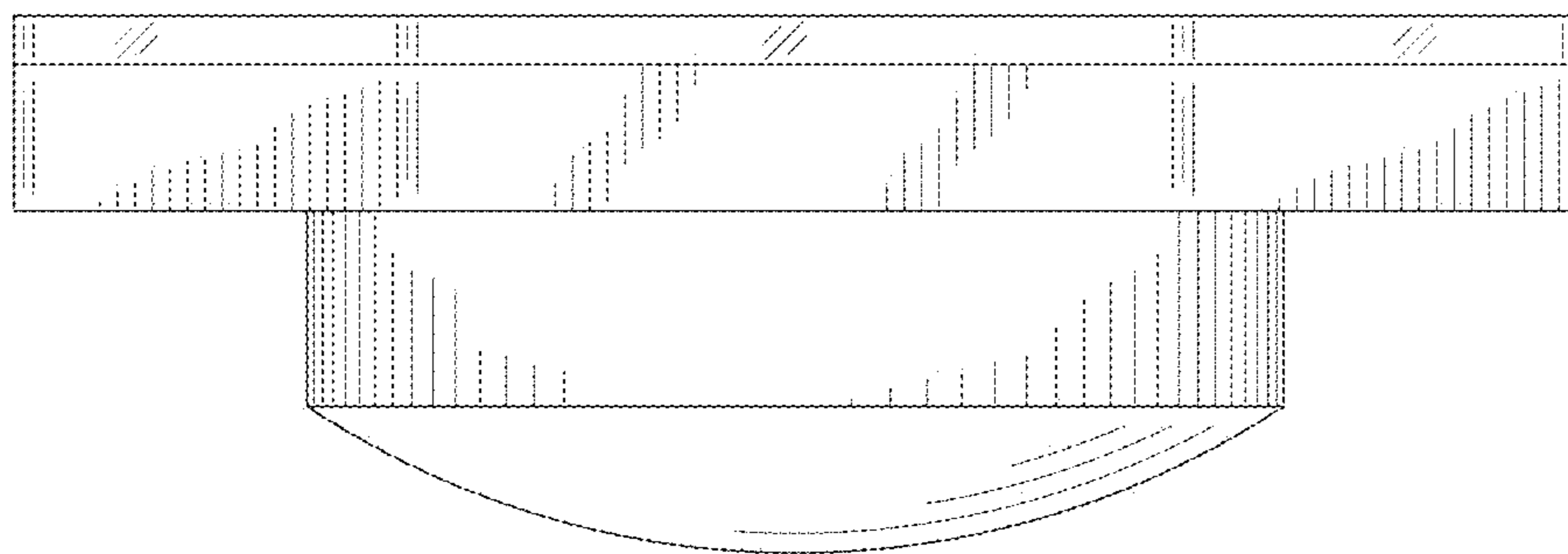


FIG. 6

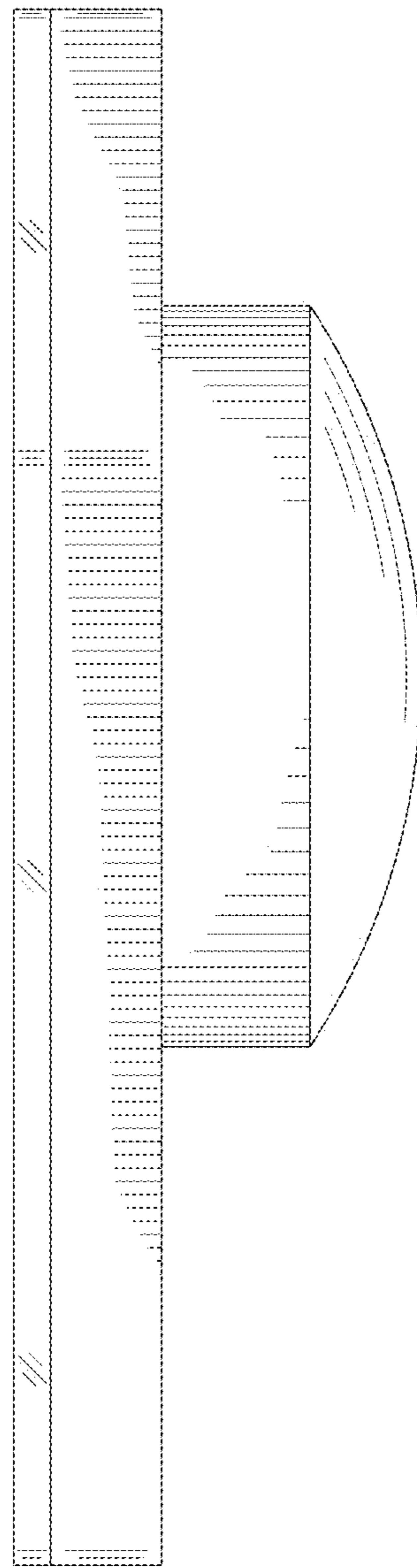


FIG. 7