

US0D1031863S

(12) **United States Design Patent**
Soward et al.

(10) **Patent No.: US D1,031,863 S**
(45) **Date of Patent: ** Jun. 18, 2024**

(54) **MODEL VEHICLE BUMPER ASSEMBLY**

FOREIGN PATENT DOCUMENTS

(71) Applicant: **TRAXXAS, L.P.**, McKinney, TX (US)

CN 303934576 11/2016
CN 304466696 1/2018

(72) Inventors: **Terry Soward**, Van Alstyne, TX (US);
Adam Cole Ewing, McKinney, TX
(US); **Kent Poteet**, Lucas, TX (US)

(Continued)

(73) Assignee: **TRAXXAS, L.P.**, McKinney, TX (US)

(**) Term: **15 Years**

(21) Appl. No.: **29/822,073**

(22) Filed: **Jan. 5, 2022**

(51) **LOC (14) Cl.** **21-01**

(52) **U.S. Cl.**
USPC **D21/561**; D21/533; D21/483

(58) **Field of Classification Search**
USPC D21/533, 562, 561, 565, 424, 495, 489,
D21/491; D12/159
CPC A63H 17/262; A63H 19/18
See application file for complete search history.

OTHER PUBLICATIONS

Amazon Website, RCAWD Bumper, Earliest Comment Date: Feb. 8, 2023 [Website Visited Jan. 10, 2024] Available on the Internet URL <https://amazon.com/dp/B0B5T918R9/> (Year: 2023).*

(Continued)

Primary Examiner — S. Bryan Reinholdt, Jr.

Assistant Examiner — James T. Tyree

(74) *Attorney, Agent, or Firm* — Daryl R. Wright; Greg Carr

(57) **CLAIM**

We claim the ornamental design for a model vehicle bumper assembly, as shown and described.

(56) **References Cited**

DESCRIPTION

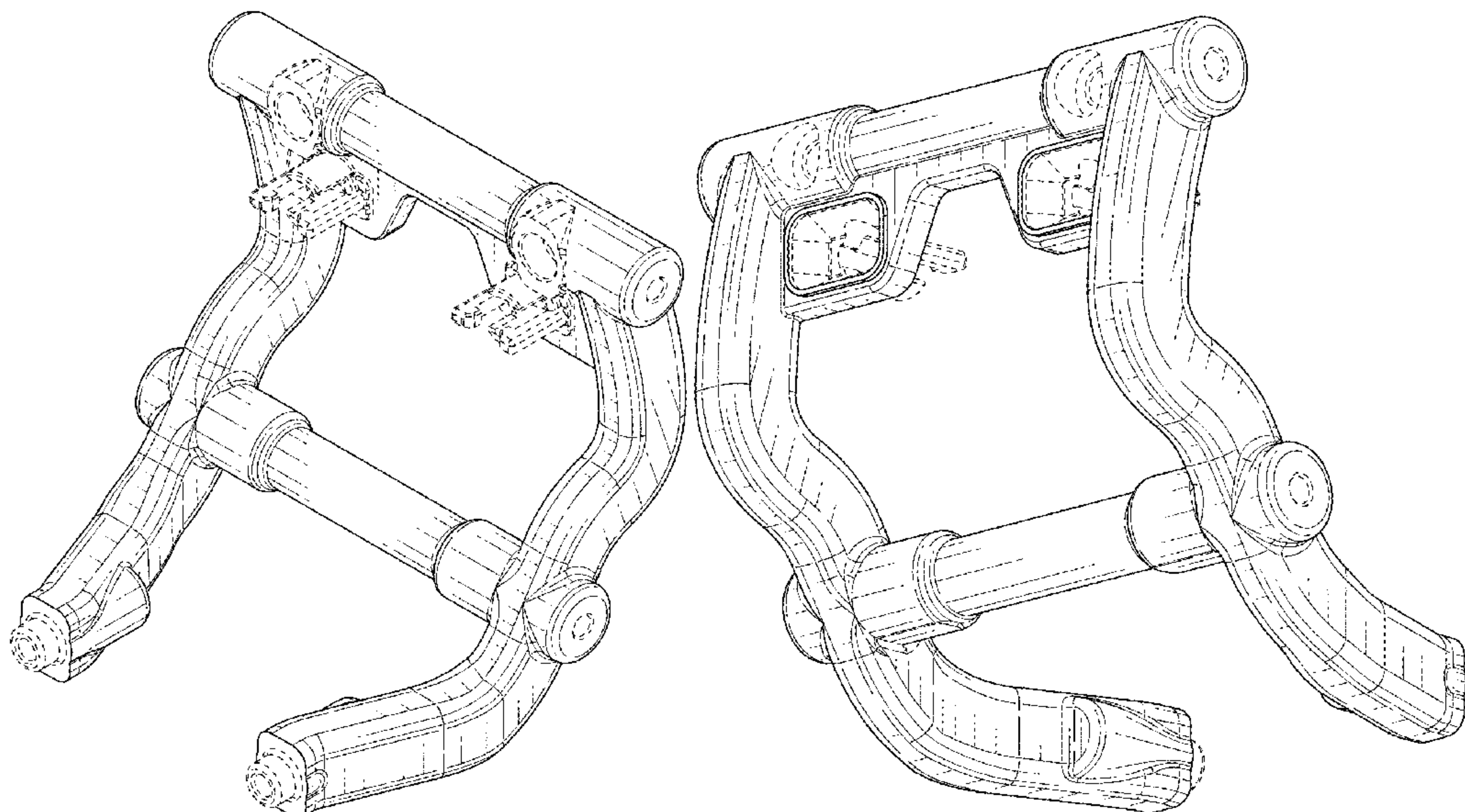
U.S. PATENT DOCUMENTS

1,355,592 A	10/1920	De Graw
1,414,382 A	5/1922	Stafford
1,427,624 A	8/1922	Newton
1,448,504 A	3/1923	Plante
1,464,321 A	8/1923	Koester et al.
1,468,868 A	9/1923	George, Jr. et al.
1,487,352 A	3/1924	Nelson
1,494,867 A	5/1924	Rahe
1,509,394 A	9/1924	Cox
1,534,760 A	4/1925	Blackmore
1,633,603 A	6/1927	Spencer
1,655,978 A	1/1928	Vella
1,729,731 A	10/1929	Vidach
1,836,610 A	12/1931	McMurdo
1,867,708 A	7/1932	Paton
1,982,775 A	12/1934	Williams

(Continued)

FIG. 1 is an upper, left, front perspective view of a model vehicle bumper assembly showing our new design; FIG. 2 is a front elevation view thereof; FIG. 3 is a rear elevation view thereof; FIG. 4 is a right side elevation view thereof; FIG. 5 is a left side elevation view thereof; FIG. 6 is an upper plan view thereof; FIG. 7 is a lower plan view thereof; FIG. 8 is a lower, right, rear view thereof; and, FIG. 9 is an upper, left, rear perspective view of the model vehicle bumper assembly. In the drawings, the broken lines illustrate portions of the model vehicle bumper assembly that form no part of the claimed design.

1 Claim, 6 Drawing Sheets



(56)

References Cited

U.S. PATENT DOCUMENTS

2,038,964 A	4/1936	Smith	D704,107 S	5/2014	Peltola et al.	
2,144,357 A	1/1939	Booharin	D713,305 S	9/2014	Sperling et al.	
2,146,642 A	2/1939	Mueth	D716,201 S	* 10/2014	Ewing	D12/171
2,227,560 A	1/1941	Szabo	D722,927 S	2/2015	Schroeder et al.	
2,236,507 A	4/1941	Kreits	D726,605 S	4/2015	Schroeder	
D160,661 S	12/1949	Ross	D728,038 S	* 4/2015	Ewing	D21/561
2,502,483 A	4/1950	Sauer et al.	D737,181 S	8/2015	Smith et al.	
2,604,349 A	7/1952	Martinetz	D737,724 S	9/2015	Schroeder et al.	
3,446,529 A	* 5/1969	Mills	D737,739 S	9/2015	Hanson et al.	
		A63H 17/26	D740,730 S	10/2015	Peltola et al.	
		267/155	D741,233 S	10/2015	Glover et al.	
3,547,469 A	12/1970	Sancioni	D744,384 S	12/2015	Harriton	
3,663,048 A	5/1972	Zimmerle	D744,387 S	* 12/2015	Harriton	D12/169
3,689,054 A	9/1972	Gouirand	D744,388 S	12/2015	Harriton	
D225,523 S	12/1972	Nunn	D749,021 S	2/2016	Boniface et al.	
3,756,643 A	9/1973	Weed	D749,995 S	2/2016	Azadi et al.	
3,774,948 A	11/1973	Gouirand	D751,012 S	3/2016	Hare	
3,782,767 A	1/1974	Moore	D753,034 S	4/2016	Thole et al.	
3,829,118 A	8/1974	Gouirand	D760,133 S	6/2016	Bennett et al.	
3,837,695 A	9/1974	Haase et al.	D761,166 S	7/2016	Hare	
D234,194 S	1/1975	Cline	D763,745 S	8/2016	Lee, IV et al.	
3,938,840 A	2/1976	Haase et al.	D764,728 S	8/2016	Choi et al.	
3,971,583 A	7/1976	Kornhauser	D764,729 S	8/2016	Choi et al.	
D245,774 S	9/1977	Norris	D769,945 S	10/2016	Serrurier et al.	
4,264,094 A	4/1981	White et al.	D771,537 S	11/2016	Hare	
D259,556 S	6/1981	Norris	D775,013 S	12/2016	Bennett et al.	
D259,557 S	6/1981	Norris	D775,016 S	12/2016	Reynolds	
D275,776 S	10/1984	Horowitz et al.	D775,032 S	12/2016	Palmer et al.	
D300,128 S	3/1989	Brennan	D776,582 S	1/2017	Bennett et al.	
5,181,699 A	1/1993	Chang	D777,618 S	1/2017	Setina	
5,326,083 A	7/1994	Wydra et al.	D777,619 S	1/2017	Barajas et al.	
D350,516 S	9/1994	Hanson	D778,213 S	2/2017	Platto et al.	
D360,865 S	8/1995	Hanson	D778,784 S	2/2017	Hirooka	
D375,067 S	10/1996	Bronstein	D781,193 S	3/2017	McMath	
D403,023 S	12/1998	Araki	D781,757 S	3/2017	Baggett	
5,971,451 A	10/1999	Huang	D784,869 S	4/2017	Yamamoto	
D420,634 S	2/2000	Nelson	D785,504 S	5/2017	Higgs	
D420,962 S	2/2000	Chevalier	D786,745 S	5/2017	Zeng	
D422,953 S	4/2000	Waagenaar	D788,826 S	6/2017	Serrurier et al.	
D425,462 S	5/2000	Ujiie	D789,258 S	6/2017	McMath	
D431,506 S	10/2000	Runfola	D790,600 S	6/2017	Serrurier et al.	
D432,469 S	10/2000	Nelson	D792,817 S	7/2017	McMath	
6,217,090 B1	4/2001	Berzinji	D792,818 S	7/2017	McMath	
D454,098 S	3/2002	McGuinness	D793,304 S	8/2017	McMath	
D454,099 S	3/2002	McGuinness	D794,519 S	8/2017	McMath	
D454,817 S	3/2002	McGuinness	D796,399 S	9/2017	Steen	
D455,684 S	4/2002	McGuinness	D800,028 S	10/2017	Baggett	
D455,988 S	4/2002	McGuinness	D800,036 S	* 10/2017	Bennett	D12/169
D460,499 S	7/2002	Wu	D800,226 S	10/2017	Zeng	
D462,401 S	9/2002	Wu	D801,892 S	11/2017	Drever	
D462,727 S	9/2002	Wu	D810,626 S	2/2018	Macey et al.	
D464,087 S	10/2002	Wu	D811,956 S	3/2018	Zeng	
D476,606 S	7/2003	Hamm et al.	D814,984 S	4/2018	Wymore	
D485,219 S	1/2004	Hamm et al.	D821,275 S	6/2018	Eck et al.	
D487,038 S	2/2004	Chan	D823,750 S	7/2018	Schulzetenberg et al.	
D502,433 S	3/2005	McClanahan	D825,385 S	8/2018	Ma	
D506,421 S	6/2005	Newbill	D826,115 S	8/2018	Chi	
D521,572 S	5/2006	Yuen	D826,116 S	8/2018	DiCanzio	
7,097,222 B2	8/2006	Ran	D827,054 S	8/2018	Ewing et al.	
D527,696 S	9/2006	Ichikawa et al.	D827,055 S	8/2018	Barajas et al.	
D532,348 S	11/2006	Kudo et al.	D828,223 S	9/2018	Piscitelli	
D533,606 S	12/2006	Kaminski	D828,796 S	9/2018	Allmendinger et al.	
D534,593 S	1/2007	Yuen	D830,919 S	10/2018	Zeng	
D565,484 S	4/2008	Johnson et al.	D830,948 S	* 10/2018	Fenchak	D12/414
D577,083 S	9/2008	Nakayama	D832,161 S	10/2018	Kobayashi	
D580,322 S	11/2008	Schroeder et al.	D832,368 S	10/2018	Barajas et al.	
D590,752 S	4/2009	Williams et al.	D833,922 S	11/2018	DiCanzio	
D593,616 S	6/2009	Asai	D845,844 S	4/2019	Langhals et al.	
D606,913 S	12/2009	Robertson	D845,845 S	4/2019	Goodrich et al.	
7,703,834 B1	4/2010	Hardy et al.	D845,846 S	4/2019	Goodrich et al.	
D636,305 S	4/2011	Alvarez et al.	D845,847 S	4/2019	Piscitelli et al.	
D642,099 S	7/2011	Nagao et al.	D846,460 S	4/2019	Goodrich et al.	
D683,281 S	5/2013	Harriton	D846,461 S	4/2019	Piscitelli et al.	
D691,074 S	10/2013	Dugardin	D846,462 S	4/2019	DiCanzio	
D697,842 S	1/2014	Harriton	D847,051 S	4/2019	DiCanzio	
D699,640 S	2/2014	Duderstadt	D847,709 S	5/2019	Neal	
			D850,334 S	6/2019	DiCanzio	
			D860,881 S	9/2019	Ninov et al.	

(56)

References Cited

U.S. PATENT DOCUMENTS

D864,806 S * 10/2019 Wood D12/171
 D870,615 S 12/2019 Wood
 D873,729 S 1/2020 Rolfs et al.
 D873,730 S 1/2020 Goodrich et al.
 D873,731 S * 1/2020 Goodrich D12/169
 D873,734 S 1/2020 Goodrich et al.
 D874,998 S 2/2020 Zhang
 D874,999 S * 2/2020 Ewing D12/171
 D877,003 S 3/2020 Izard
 D877,670 S 3/2020 Moctezuma
 D878,976 S 3/2020 Goodrich et al.
 D878,977 S * 3/2020 Ewing D12/171
 D878,978 S 3/2020 Li
 D880,381 S 4/2020 DiCanzio
 D887,328 S 6/2020 Lee
 D888,628 S 6/2020 Bennett et al.
 D889,332 S 7/2020 Chi
 D890,036 S 7/2020 Marshall et al.
 D891,330 S 7/2020 Lenz, Jr.
 D893,366 S 8/2020 Dewitt et al.
 D894,802 S 9/2020 Grand
 D894,803 S 9/2020 DiCanzio
 D896,139 S 9/2020 Williams
 D904,244 S 12/2020 Wood et al.
 D908,177 S 1/2021 Sprowl et al.
 D908,561 S 1/2021 Harriton et al.
 D908,562 S 1/2021 Harriton et al.
 D909,918 S 2/2021 Langhals et al.
 D910,493 S 2/2021 Langhals et al.
 D910,507 S 2/2021 Bennett et al.
 D918,802 S 5/2021 Huang
 D918,803 S * 5/2021 Wood D12/171
 D919,516 S 5/2021 Chi
 D920,194 S 5/2021 Mallicote et al.
 11,014,517 B2 5/2021 Hatch et al.
 D923,111 S * 6/2021 Wood D21/561
 D923,112 S 6/2021 Hagler et al.
 D923,113 S 6/2021 Hagler et al.
 D925,661 S * 7/2021 Hagler D21/561
 D931,384 S 9/2021 Chen
 D937,146 S 11/2021 Kaoud et al.
 D940,015 S * 1/2022 Sprowl D12/169
 D945,332 S * 3/2022 Hagler D12/171
 D949,068 S 4/2022 Hu
 D960,254 S 8/2022 Ewing et al.
 D960,255 S * 8/2022 Ewing D21/562
 D998,720 S * 9/2023 Sprowl D21/548
 D1,000,332 S * 10/2023 Sprowl D12/171
 D1,014,655 S * 2/2024 Christensen D12/159
 D1,014,656 S * 2/2024 Christensen D12/159
 2006/0021188 A1 2/2006 Lee
 2006/0192398 A1 8/2006 Buniewicz et al.
 2006/0261613 A1 11/2006 Byers et al.
 2009/0212581 A1 * 8/2009 Drever B60R 19/52
 293/115
 2009/0302623 A1 * 12/2009 Finney B60R 19/52
 293/115
 2013/0187395 A1 7/2013 Hanson et al.
 2013/0257070 A1 10/2013 Ebara et al.
 2017/0088076 A1 3/2017 Fujimoto et al.
 2017/0247014 A1 8/2017 Farooq et al.
 2017/0349227 A1 12/2017 Spindler et al.
 2018/0072254 A1 3/2018 Wymore
 2019/0337476 A1 11/2019 Hare et al.
 2021/0046395 A1 2/2021 Allmendinger et al.

FOREIGN PATENT DOCUMENTS

CN 305108886 4/2019
 CN 306250137 12/2020
 DE 402017100863-0007 7/2018
 EM 008468474-0002 3/2021
 EP 003860808-0001 * 7/2017 21/1
 EP 009078603-0004 * 7/2022 21/1

GB 6217584 7/2022
 GB 6217586 * 7/2022
 GB 6228968 * 10/2022 21/1
 KR 300270161.0001 * 11/2001
 KR 300274271.0001 11/2022
 TW D147600 S 6/2012
 TW D154920 S 7/2013
 TW D163365 S 10/2014
 TW D168397 S 6/2015
 TW D169825 S 8/2015
 TW 187468-0001 * 12/2017 21/1
 WO 2007056481 A2 5/2007

OTHER PUBLICATIONS

Traxxas Website, Traxxas Light Set, No Available Date [Website Visited Jan. 10, 2024] Available on the Internet URL <https://traxxas.com/products/parts/6794> (Year: 2024).*

Amazon Website, Traxxas Light Set, Earliest Comment Date: May 20, 2023 [Website Visited Jan. 10, 2024] Available on the Internet URL <https://www.amazon.com/dp/B0B59RQK8Q/> (Year: 2023).*

Amazon Website, RiToEasySports Wheelie Bar Assembly, No. Available Date [Website Visited Mar. 11, 2024] Available on the Internet URL <https://www.amazon.com/dp/B09XVJK28L> (Year: 2024).*

Amazon Website, Rcawd Front & Rear Bumper Set, No. Available Date [Website Visited Mar. 11, 2024] Available on the Internet URL <https://www.amazon.com/dp/BOB5TCN7J4/> (Year: 2024).*

Traxxas Website, Traxxas LED Light Set, No. Available Date [Website Visited Mar. 11, 2024] Available on the Internet URL <https://traxxas.com/products/parts/6794> (Year: 2024).*

Amazon Website, BrixGenius RC Bumper, No. Available Date [Website Visited Apr. 11, 2024] Available on the Internet URL <https://www.amazon.com/dp/BOCXH74YNB/> (Year: 2024).*

Traxxas Website, Traxxas Rear Bumpers with LED, No. Available Date [Website Visited Apr. 11, 2024] Available on the Internet URL <https://traxxas.com/products/parts/6794> (Year: 2024).*

Amazon Website, RCAWD Bumper, No. Available Date [Website Visited Apr. 11, 2024] Available on the Internet URL <https://www.amazon.com/dp/BOB1717GTW/> (Year: 2024).*

Traxxas LP; The New Traxxas Summit 16.8 V Electric Extreme Terrain Monster Truck; Traxxas Press Release; Oct. 16, 2008.

Summit E-Revo Crawler SP08503 front bumper; Oct. 16, 2008.

“How Do I Add a Ball Hitch to my RPM Rear Bumper (T/E-Maxx & Revo Bumpers)?” RPM, Jul. 30, 2005 [online], [retrieved on Sep. 12, 1996]. Retrieved from the internet, URL: <http://www.rpmrcproducts.com/faq/add-ball-hitch-rpm-rear-bumper-te-maxx-revo-bumpers/>.

“Warn 87750 Elite Series Front Bumper with Grill Guard Tube” RPM, Jul. 17, 2013 [online], [retrieved on Sep. 12, 2016]. Retrieved from Internet, URL: https://www.amazon.com/gp/product/B00625F4FI/ref=pd_sim_263_5?ie=UTF8&pd_rd_i=B00625F4FI&pd_rd_r=QN6NZ5WV34ZS00Z3BSGH&pd_rd_w=4XjJD&pd_rd_wg=7Z80V&psc=1&refRID=QN6NZ5WV34ZS0.

“Yeah Racing F/R Bumper w/ HD Shackie & LED’s—SCX10, Traxxas.” RC Hobbies, Nov. 12, 2014 [online], [retrieved on Sep. 12, 2016]. Retrieved from the Internet <URL: http://rchoobbies.com.au/store/product_info.php?products_id=80405>.

Taiwan IPO Search Report; Taiwan Design Patent App No. 105301434; Aug. 4, 2016.

Associated Electrics; “Catalog and Parts Listing for the Monster GT Truck”; 2003; Associated Electrics, Inc., Costa Mesa, California.

Horizon Hobby; “Team Losi LST Super Truck—Drive Train Assy” exploded view; Horizon Hobby, Inc., Champaign, Illinois.

HPI Racing, “Savage 21 4WD Giant Monster Truck” p. 56 exploded view; Hobby Products International, Foothill Ranch, California.

Tamiya, “Terra Crusher Parts Breakdown—Front End”; Tamiya America, Inc., Aliso Viejo, California.

Tamiya, “Wild Willy 2 Parts Breakdown”; 1999, Tamiya America, Inc., Aliso Viejo, California.

Tamiya, “Wild Willy”; Tamiya America, Inc., Aliso Viejo, California; 1 photograph.

Traxxas, “T-Maxx Assemblies—Front Assembly”; Traxxas LP, Plano, Texas.

(56)

References Cited

OTHER PUBLICATIONS

Axial SCX10 II 2000 Jeep Cherokee; <http://www.axialracing.com/products/ax90047>; Aug. 2016.

Axial SCX 10 Deadbolt; <http://www.axialracing.com/products/ax90044>; Aug. 2016.

Traxxas; Bumper support geometry, body mounts, body mount posts; <https://traxxas.com/products/parts/3619>; Oct. 2016.

Sema 2015 Fab Fours; 2 photos.

PL6088-00 Front Proline Ridge-Line Bumper (Smal), Earliest Available Date May 2, 2019 [Online], [Site Visited Oct. 20, 2020] Available From Internet, URL: <https://www.ebay.com/itm/PL6088-00-Front-PROLINE-RIDGE-LINE-BUMPER-SMAL-SET-VOOR-NARROW-ROCK-CRAWLING-/153425968229?_trksid=p2385738.m4383.i4275.c10> (Year: 2019).

Traxxas TRX-4 Winch Front Bumper, Earliest Available Date May 22, 2019 [Online], [Site Visited Oct. 20, 2020] Available From Internet, URL: <https://www.amainhobbies.com/traxxas-trx-4-winch-front-bumper-tra8124/p779826?gclid=EALalQobChMI0aymroXE7AIVD02GCh0ntA-WEAQYBSABEgJl5_D_BwE> (Year: 2019).

TF2 Mojave ARB-Deluxe Metal Front Bumper Assembly, Earliest Available Date Oct. 22, 2020 [Online], [Site Visited Oct. 22, 2020] Available From Internet, URL: <<https://www.aliexpress.com/i/4000118857581.html>> (Year: 2020).

Traxxas 5834 Front Bumper Mount Front Adapter 2WD Slash 4x4, Earliest Available Date Jul. 15, 2020 [Online], [Site Visited Oct. 22, 2020] Available From Internet, URL: <https://www.ebay.com/itm/Traxxas-5834-Front-Bumper-Mount-Front-Adapter-2WD-Slash-4x4-/174332832512?_trksid=p2385738.m4383.i4275.c10> (Year: 2020).

Traxxas TRA6736 Bumper, Front/ Bumper Support, Earliest Available Date Oct. 22, 2020 [Online], [Site Visited Oct. 22, 2020] Available From Internet, URL: <<https://amazon.com/Traxxas-TRA6736-Bumper-Front-Support/dp/B07HJF56V1#customerReviews>> (Year: 2020).

Bull Bars. (Design—© Questel) orbit.com. [Online PDF compilation of references] 16 pgs. Print Dates Range Oct. 8, 2019-Apr. 14, 2005 [Retrieved Jun. 4, 2021].

“4 Pcs ZD Racing 8481 Front Bumper Set.” Before Jul. 21, 2019. Banggood. https://www.banggood.com/4PCS-ZD-Racing-8481-Front-Bumper-Set-for-9116-08427-9021-V3-1-or-8-RC-Car-Parts-p-1528272.html?cur_warehouse=CN (Year: 2019).

Onorato, Paul. “3 Must-See Pro-Line Traxxas Slash Builds that Anyone Can Do!” Apr. 29, 2019. RC Driver. <https://www.rcdriver.com/3-must-see-pro-line-traxxas-slash-builds-that-anyone-can-do/> (Year: 2019).

“Traxxas Trx4 Aluminum Front Bumper (GPM Racing Product) Adding Extra Weight to the Front—RC Overdose.” Jan. 31, 2018. YouTube. https://www.youtube.com/watch?v=_wui5f_k1eY (Year: 2018).

Traxxas 8990 Complete Waterproof LED Light Bar Kit, Nov. 14, 2019, amazon.com, Dec. 15, 2021, URL: <https://www.amazon.com/Traxxas-8990-LED-Light-Kit/dp/B07YGR7GLT> (Year: 2019).

Traxxas 7735 X-Maxx Front Bumper, Jan. 5, 2016, amazon.com, Dec. 15, 2021, URL: <https://www.amazon.com/Traxxas-7735-X-Maxx-Front-Bumper/dp/B01A6Z06HU/> (Year: 2016).

Bumper, Rear, Traxxas 9036, available on hobby-time.com, original text Aug. 29, 2020, [site visited Jan. 24, 2022], URL: https://www.hobby-time.com/index.php?main_page=product_info&products_id=69348 (Year: 2020).

Traxxas Hoss Rear Bumper, available on hobbytown.com, product added to catalog Feb. 17, 2021, [site visited Jan. 24, 2022], URL: <https://www.hobbytown.com/traxxas-hoss-rear-bumper-tra9036/p1253531> (Year: 2021).

Traxxas 9036 Bumper, available on Amazon.com, [site visited Jan. 24, 2022], URL: <https://www.amazon.com/Traxxas-9036-Bumper-Mount-Support/dp/B08FP5CSYG/> (Year: 2022).

Bumper, rear (#9036), available on traxxas.com, [site visited Jan. 24, 2022], URL: <https://traxxas.com/products/parts/9097> (Year: 2022).

Hoss 4x4 LED Light Kit, available on traxxas.com, [site visited Jan. 24, 2022], URL: <https://traxxas.com/products/parts/9095-hoss-4x4-light-kit> (Year: 2022).

Traxxas 8936 Bumper, available on Amazon.com, [site visited Jan. 24, 2022], URL: <https://www.amazon.com/Traxxas-8936-Bumper-Rear/dp/B081LMYSNT/> (Year: 2022).

RPM Wide Front Bumper Black Rustler, available on amazon.com, date first available Jun. 21, 2007, [site visited Jan. 24, 2022], URL: <https://www.amazon.com/RPM-Bumper-Rustler-Stampede-Bandit/dp/B0006O7RR4/> (Year: 2007).

Axial SCX10 II, available on amainhobbies.com, added to catalog Apr. 8, 2020, [site visited Jan. 24, 2022], URL: <https://www.amainhobbies.com/axial-scx10-iii-crc-jeep-jlu-bumper-set-axi230018/p1204845> (Year: 2020).

Robatt, “Warn rock crawler front bumper on a 4Runner!!!” Oct. 14, 2009, yotatech.com, site visited Mar. 11, 2022, URL: <https://www.yotatech.com/forums/f116/warn-rock-crawler-front-bumper-4runner-190663/> (Year: 2009).

“Tags,” Feb. 2, 2017, pxhere.com, site visited Mar. 11, 2022, URL: <https://pxhere.com/en/photo/601400> (Year: 2017).

“That new new,” Nov. 20, 2019, facebook.com, site visited Nov. 20, 2019, URL: (possible 102 or 103) <https://www.facebook.com/traxxas/photos/2589499214431423> (Year: 2019).

“RC Front Bumper,” Aug. 28, 2019, amazon.com, site visited Mar. 11, 2022, URL: <https://www.amazon.com/Aluminum-Traxxas-Crawler-Large-Size-Heavy-Metal/dp/B07X42VJNY/> (Year: 2019).

“Wide World of TRX-4 Sports: Part 2,” Oct. 28, 2020, facebook.com, site visited Mar. 11, 2022, URL: <https://www.facebook.com/traxxas/photos/3475502935831042> (Year: 2020).

“Wake up & find your adventure!” Sep. 26, 2020, facebook.com, site visited Mar. 11, 2022, URL: <https://www.facebook.com/traxxas/photos/3378456638869006> (Year: 2020).

Traxxas Bumper Front with LED Model #6797, Traxxas Webpage [online], [Site Visit Jun. 8, 2023], URL: <https://traxxas.com/products/parts/6797> (Year: 2023).

Traxxas Bumper Front and Support, Traxxas Webpage [online], [Site Visit Jun. 8, 2023], URL: <https://traxxas.com/products/parts/6736> (Year: 2023).

Amazon Website, Traxxas 6737 Bumper Rear Bumper Mount, Earliest Available Date: Dec. 21, 2018 [Website Visited Jan. 10, 2024], Available on the Internet URL: <https://www.amazon.com/dp/B07MN4TB8B> (Year: 2018).

Amazon Website, GTHELE Front&Rear Bumper Aluminum for Traxxas 1/18 TRX4M Defender, Earliest Comment Date: Nov. 3, 2023 [Website Visited Jan. 10, 2024], Available on the Internet URL: <https://www.amazon.com/dp/BOCBHFWCKQ/> (Year: 2023).

Traxxas Website, Bumper, rear/ bumper mount, rear, No Available Date [Website Visited Jan. 10, 2024], Available on the Internet URL: <https://traxxas.com/products/parts/6737> (Year: 2024).

Traxxas Website, Bumper, rear/ bumper mount, No. Available Date [Website Visited Mar. 12, 2024], Available on the Internet URL: <https://traxxas.com/products/parts/6737X> (Year: 2024).

Amazon Website, Traxxas 6737X—Rear Bumper w/Mount, No. Available Date [Website Visited Mar. 12, 2024], Available on the Internet URL: <https://www.amazon.com/dp/B0CMDH5QGR> (Year: 2024).

Amazon Website, Front & Rear Bumper Assembly, Earliest Available Date: Aug. 24, 2023 [Website Visited Mar. 12, 2024], Available on the Internet URL: <https://www.amazon.com/dp/B0CGH4JZTK?th=1> (Year: 2023).

* cited by examiner

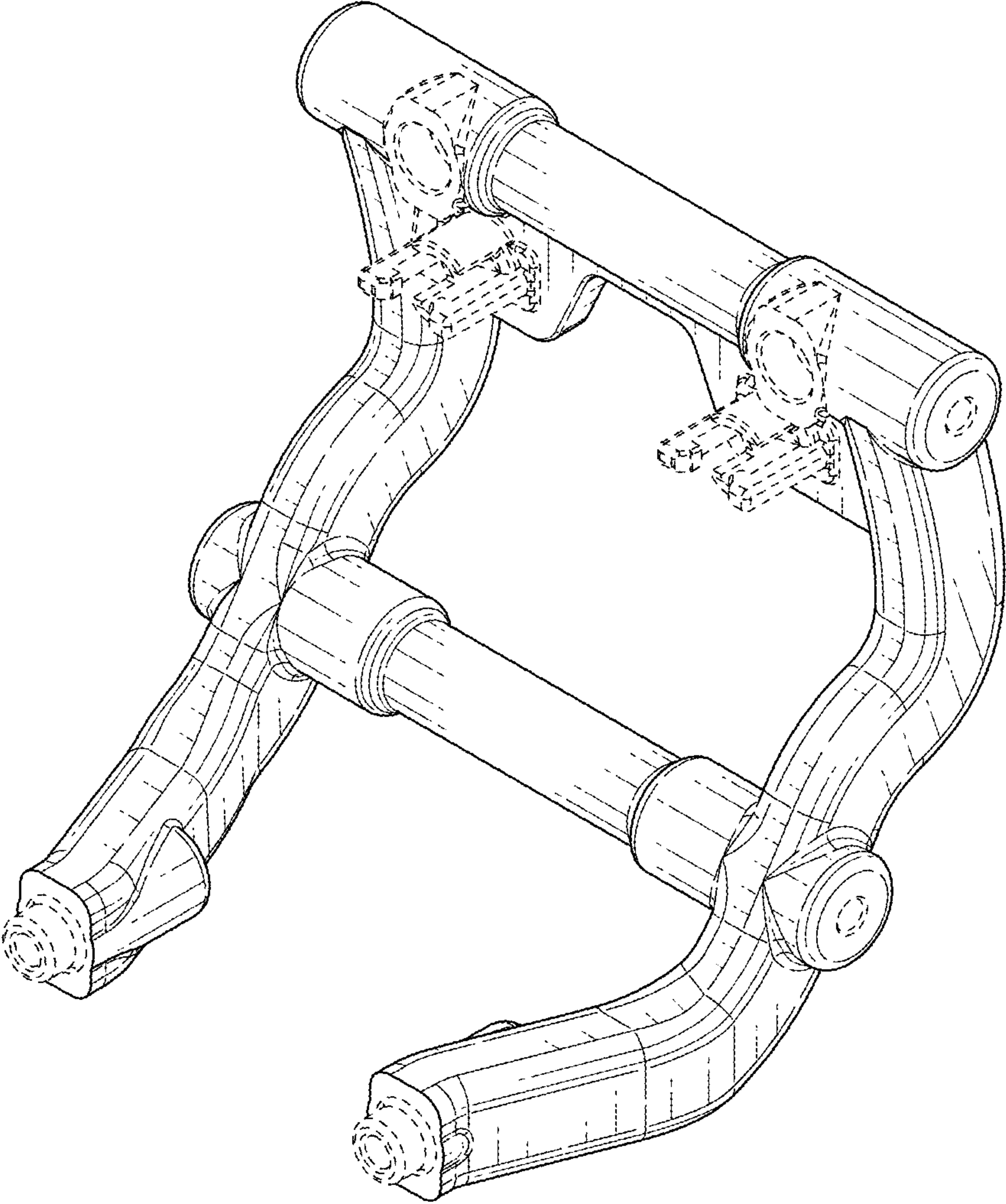


FIG. 1

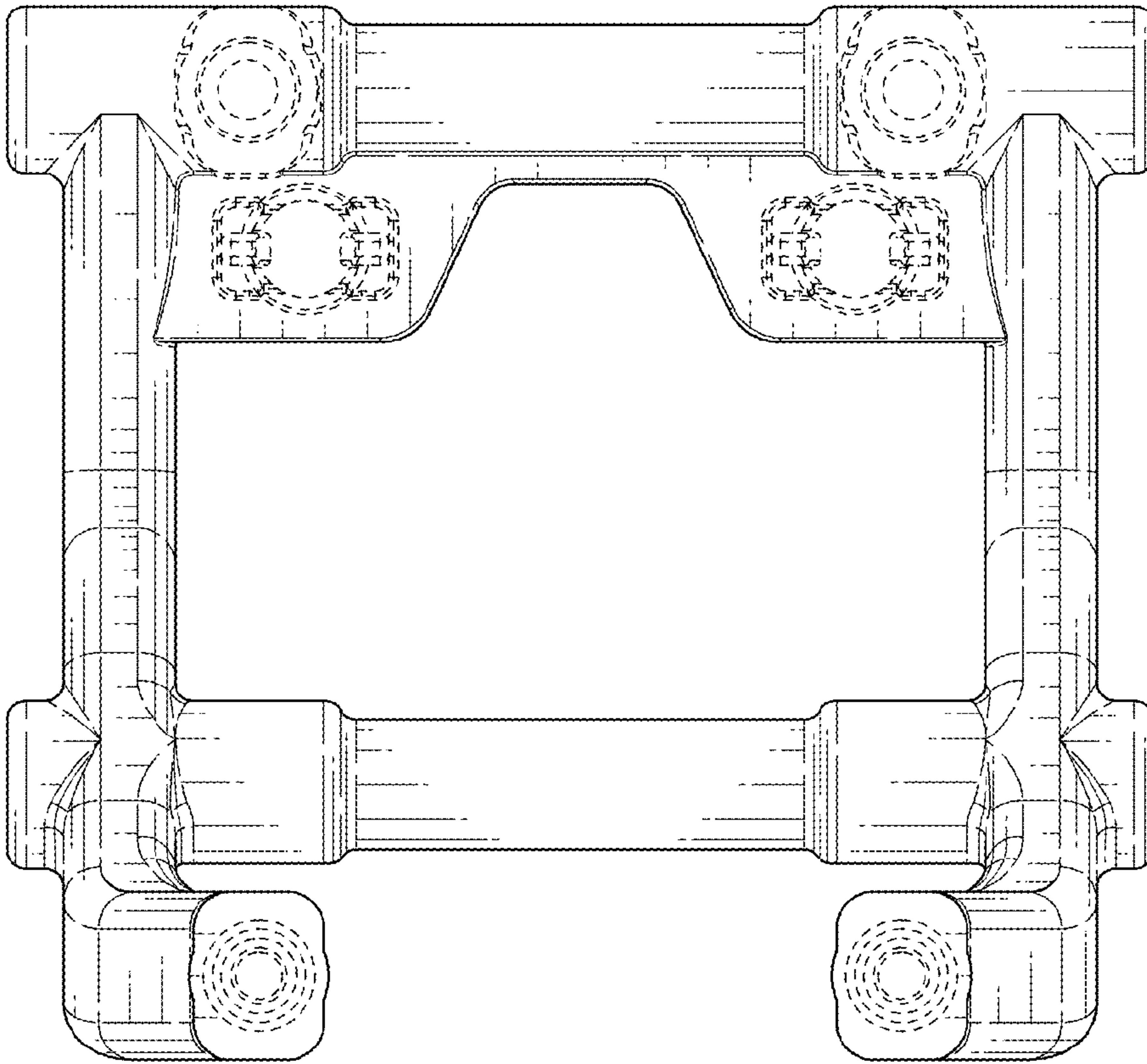


FIG. 2

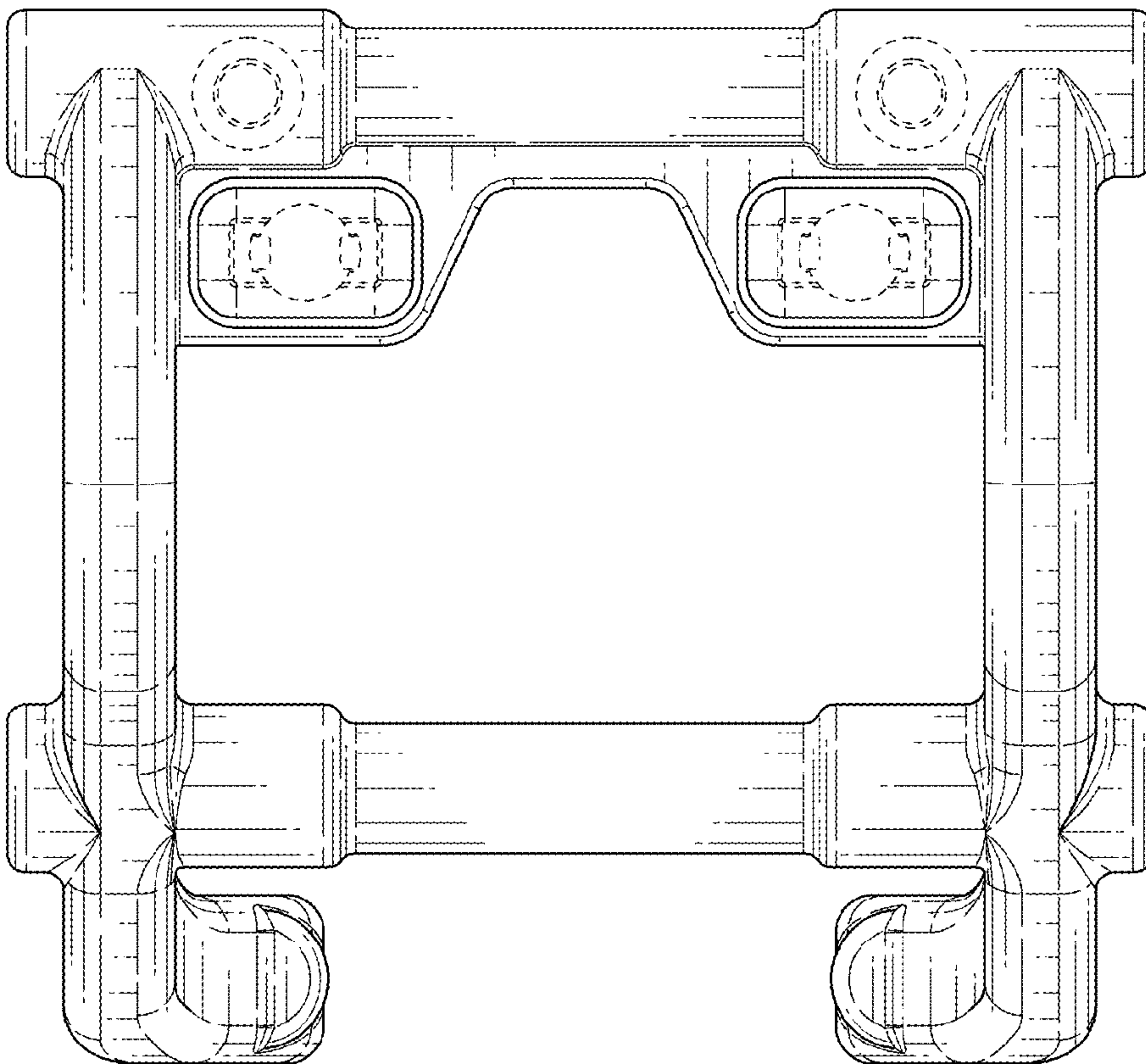


FIG. 3

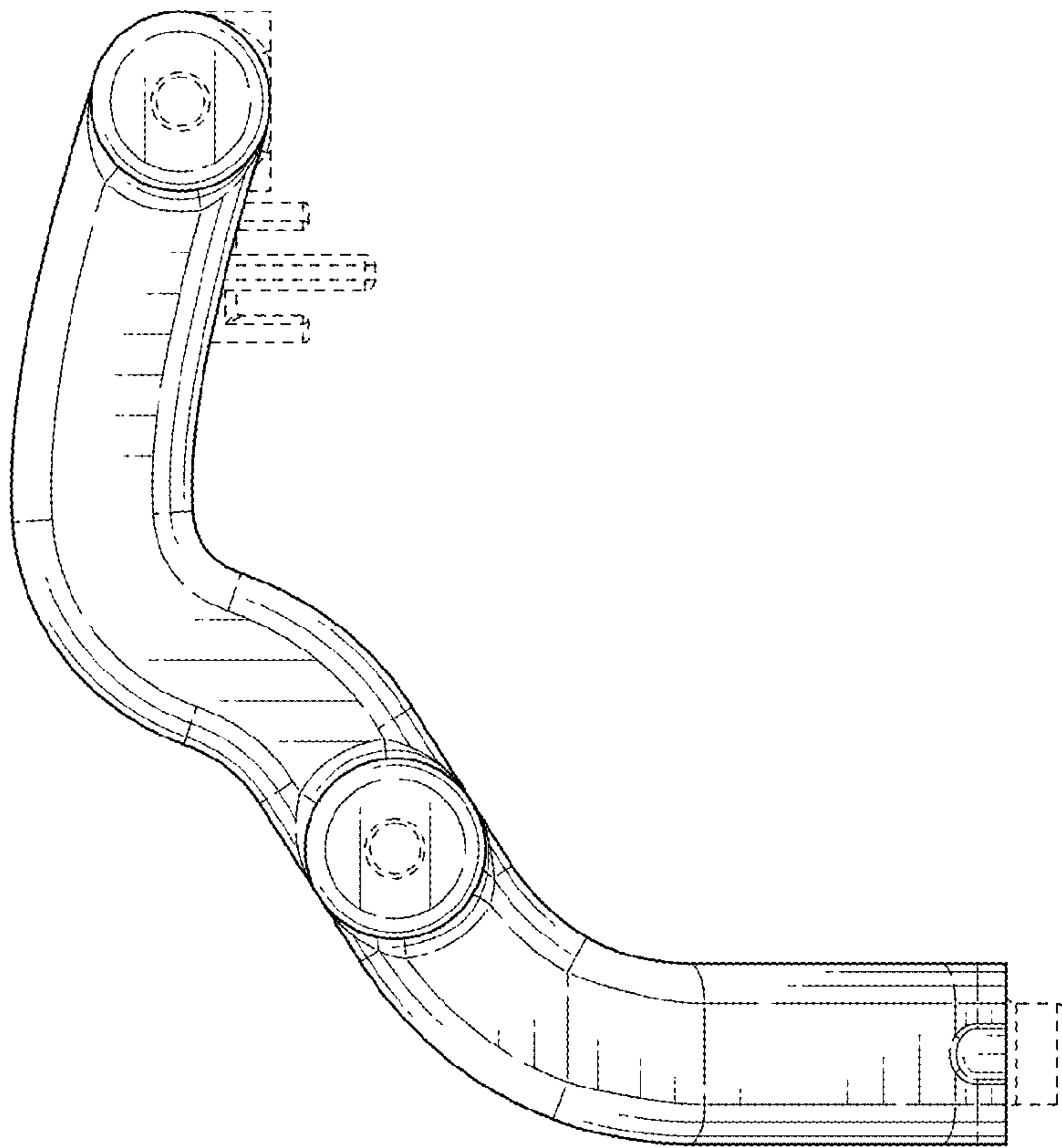


FIG. 4

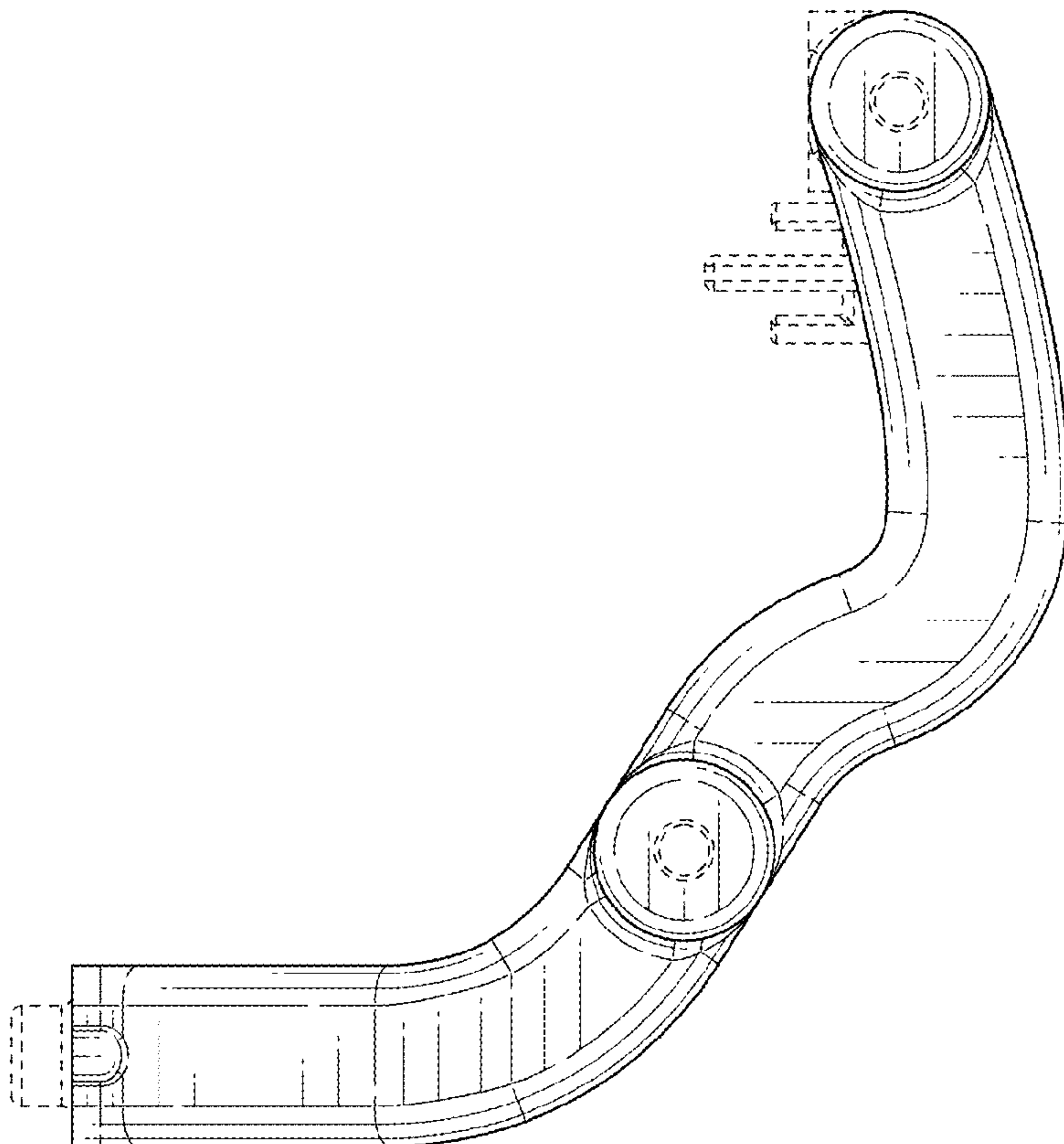


FIG. 5

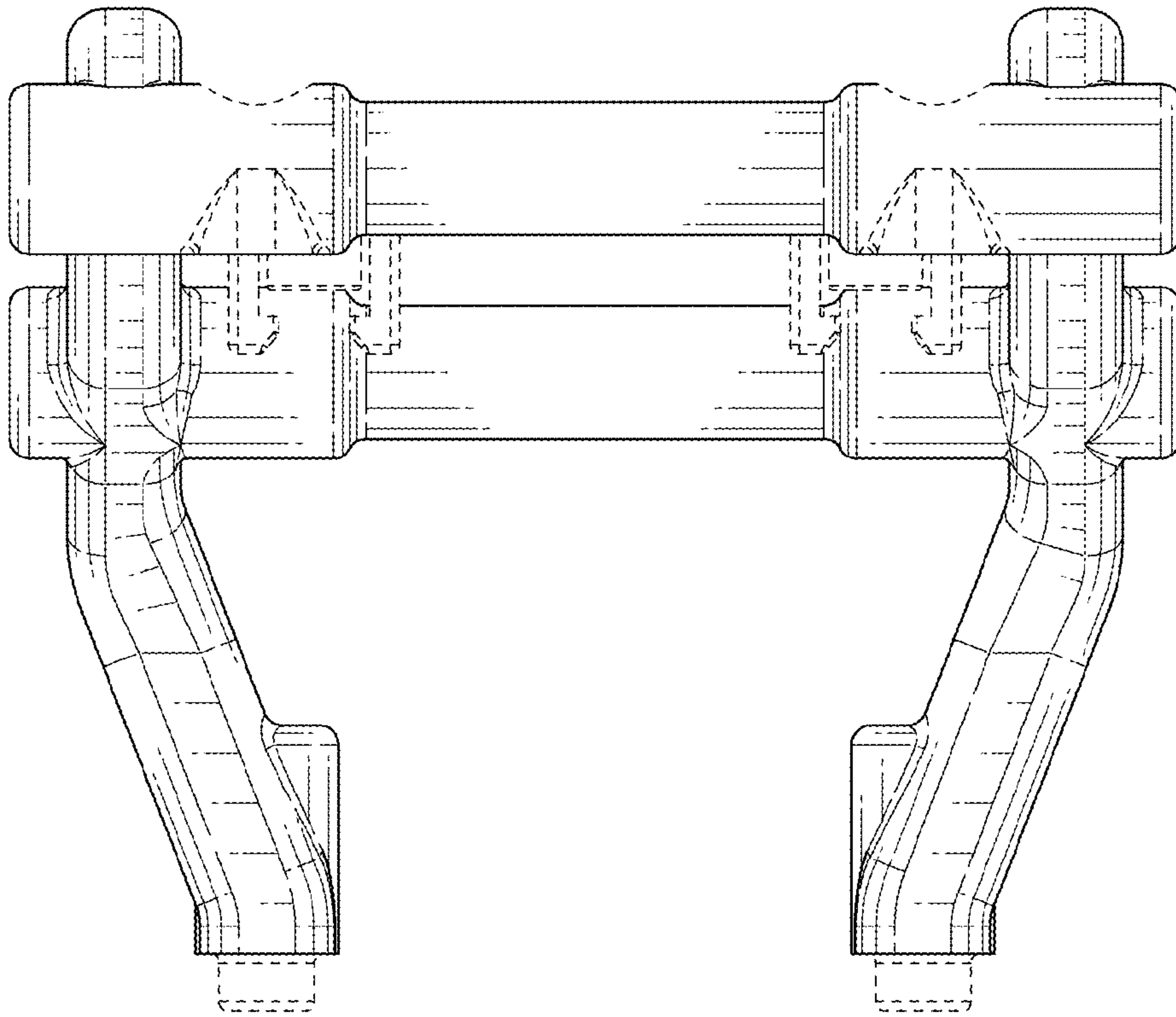


FIG. 6

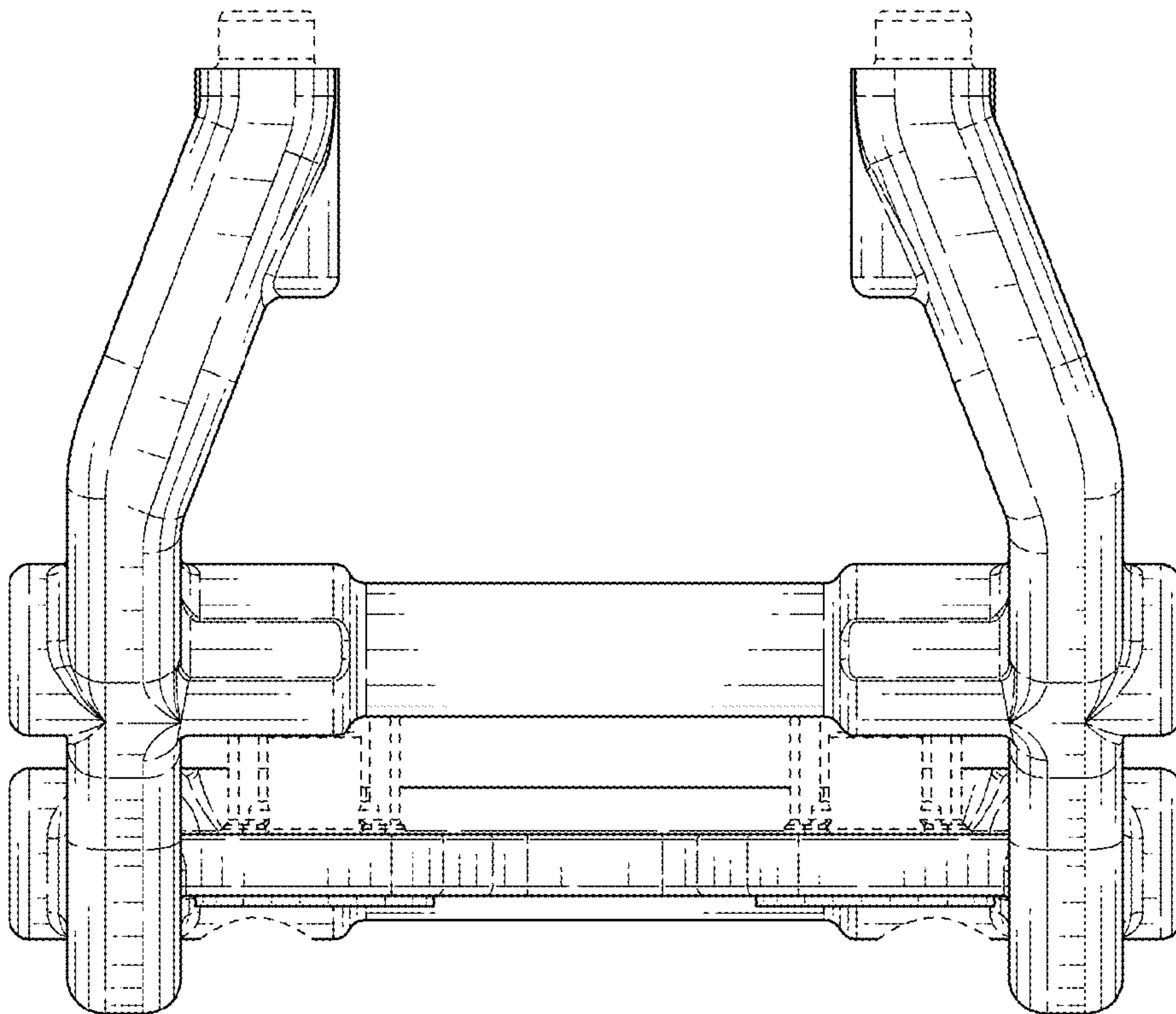


FIG. 7

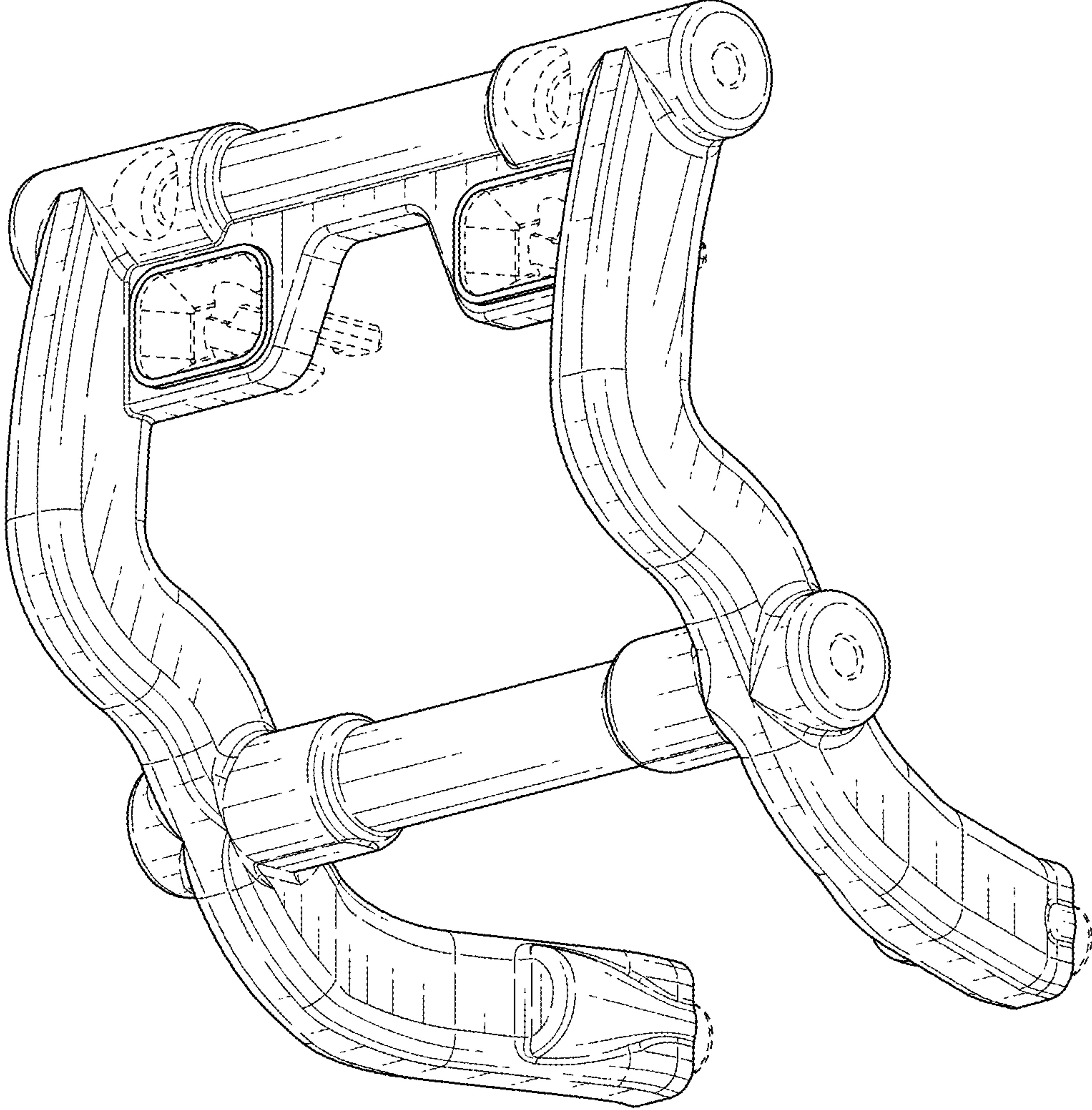


FIG. 8

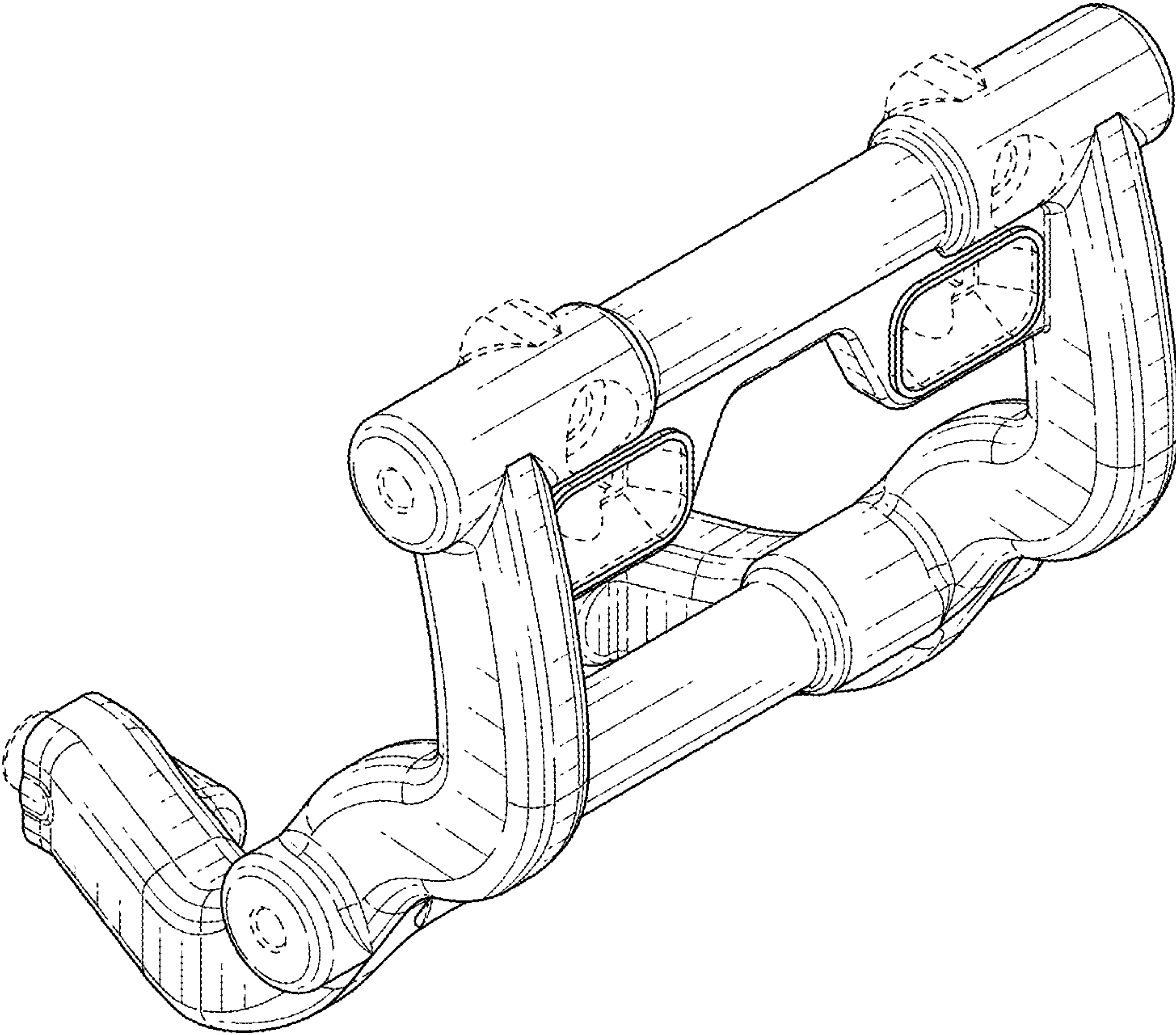


FIG. 9