



US0D1031839S

(12) **United States Design Patent** (10) **Patent No.:** **US D1,031,839 S**
Thrall (45) **Date of Patent:** **** Jun. 18, 2024**

(54) **WATER PAINTING BOARD WITH CASE**

(71) Applicant: **Eric Thrall**, Vancouver (CA)

(72) Inventor: **Eric Thrall**, Vancouver (CA)

(**) Term: **15 Years**

(21) Appl. No.: **29/921,828**

(22) Filed: **Dec. 19, 2023**

(51) **LOC (14) Cl.** **19-06**

(52) **U.S. Cl.**

USPC **D19/102**

(58) **Field of Classification Search**

USPC D19/27, 101, 102, 103, 106, 108, 111,
D19/113, 114; D3/294; D14/203.4,
D14/203.6; D9/432

CPC B44D 3/123; B44D 3/128; B44D 3/006;
B44D 3/12; B44D 3/126; B44D 3/14;
B44D 3/127; B44D 3/125; B44D 3/00;
B44D 3/04; B44D 3/003; B44D 3/225;
B44D 3/08; B44D 3/162; B44D 3/06;
B44D 3/02; B44D 3/164; B44D 3/121;
B44D 3/18; B44D 3/16; B44D 3/168;
B44D 3/22; B44D 3/185; B44D 3/166;
B44D 2/00; B44D 2/002; B44D 2/007

See application file for complete search history.

(56) **References Cited**

U.S. PATENT DOCUMENTS

D565,842 S * 4/2008 Falcone D3/294
D658,188 S * 4/2012 Diebel D14/440
D691,143 S * 10/2013 Diebel D14/440
D714,053 S * 9/2014 Yoo D3/269

(Continued)

FOREIGN PATENT DOCUMENTS

CN 202573615 U 12/2012
CN 104149539 A 11/2014
CN 304566948 * 4/2018
CN 305063154 * 3/2019

OTHER PUBLICATIONS

Geiseraillie Metal Rectangular Tin Metal Hinged Lid_Amazon,
[date first available, Mar. 15, 2021], [date found online: Feb. 10,
2024], [https://www.amazon.com/Rectangular-Container-Storage-Watercolor-Organizer/dp/B08YYV5RLD?source=ps-sl-shoppingads-lpcontext&ref \(Year: 2021\).*](https://www.amazon.com/Rectangular-Container-Storage-Watercolor-Organizer/dp/B08YYV5RLD?source=ps-sl-shoppingads-lpcontext&ref=(Year: 2021).*)

(Continued)

Primary Examiner — Richard Edgar

Assistant Examiner — Katherine E Morris

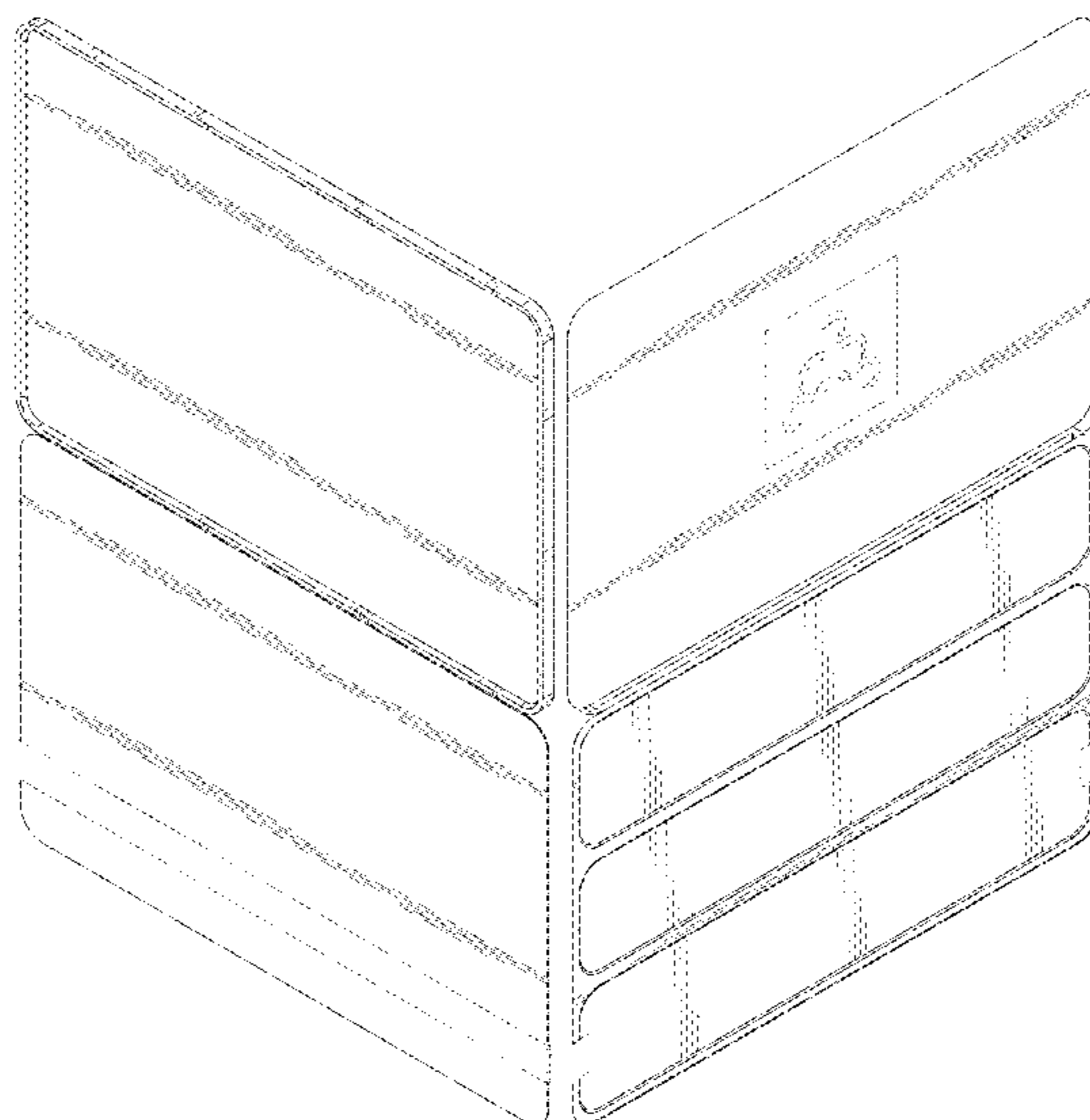
(57) **CLAIM**

The ornamental design for a water painting board with case,
as shown and described.

DESCRIPTION

FIG. 1 is a top front perspective view of a water painting board with case showing my new design;
FIG. 2 is a bottom rear perspective view thereof;
FIG. 3 is a front elevational view thereof;
FIG. 4 is a rear elevational view thereof;
FIG. 5 is a top plan view thereof;
FIG. 6 is a bottom plan view thereof;
FIG. 7 is a right elevational view thereof;
FIG. 8 is a left elevational view thereof;
FIG. 9 is a top front perspective view thereof, showing the water painting board with case in a closed configuration;
FIG. 10 is a bottom rear perspective view thereof;
FIG. 11 is a top front perspective view thereof, showing the water painting board with case in a stand configuration; and,
FIG. 12 is a bottom rear perspective view thereof.
The broken lines showing an elastic band in FIGS. 1-12, and the broken lines showing a logo in FIGS. 2, 4, 9, and 10 are included for the purpose of illustrating environmental structure and form no part of the claimed design.

1 Claim, 12 Drawing Sheets



(56)

References Cited

U.S. PATENT DOCUMENTS

D750,632 S * 3/2016 Diebel D14/440
D808,949 S 1/2018 Zuniga et al.
D819,038 S * 5/2018 Diebel D14/440
D862,456 S 10/2019 Nishizawa
D875,735 S 2/2020 Buechin et al.
D884,710 S 5/2020 Hyun
D949,867 S * 4/2022 Wu D14/440
D977,009 S * 1/2023 Massad D19/103
D996,440 S 8/2023 Nyholm et al.
2015/0014403 A1 1/2015 Pinkstone et al.

OTHER PUBLICATIONS

Zen Life, Zen Artist Board Mini, Paint with Water Relaxation Meditation Art, Relieve Stress, Small Travel Size Magic Drawing Watercolor with Brush, retrieved from Internet, retrieved on Dec. 18, 2023, <URL: <https://www.amazon.com/Zen-Relaxation-Meditation-Relieve-Watercolor/dp/B01LXR7GV4>>.

Buddha Board, Mini Buddha Board Art Set: Water Drawing Writing Board w/ Mini Water Brush for Mindfulness & Meditation—Zen Based Drawing Board—Painting & Art Supplies—Ideal Relaxation Gifts (5"×5", Black), Retrieved from Internet, retrieved on Dec. 18, 2023, <URL: <https://tinyurl.com/2ewwpnus>>.

Buddha Board, The Original Buddha Board Art Set: Water Painting w/ Bamboo Brush & Stand for Mindfulness Meditation—Inkless Drawing Board—Painting & Art Supplies—Ideal Relaxation Gifts for Women or Men, Retrieved from Internet, retrieved on Dec. 18, 2023, <URL: <https://tinyurl.com/mr2t7c32>>.

* cited by examiner

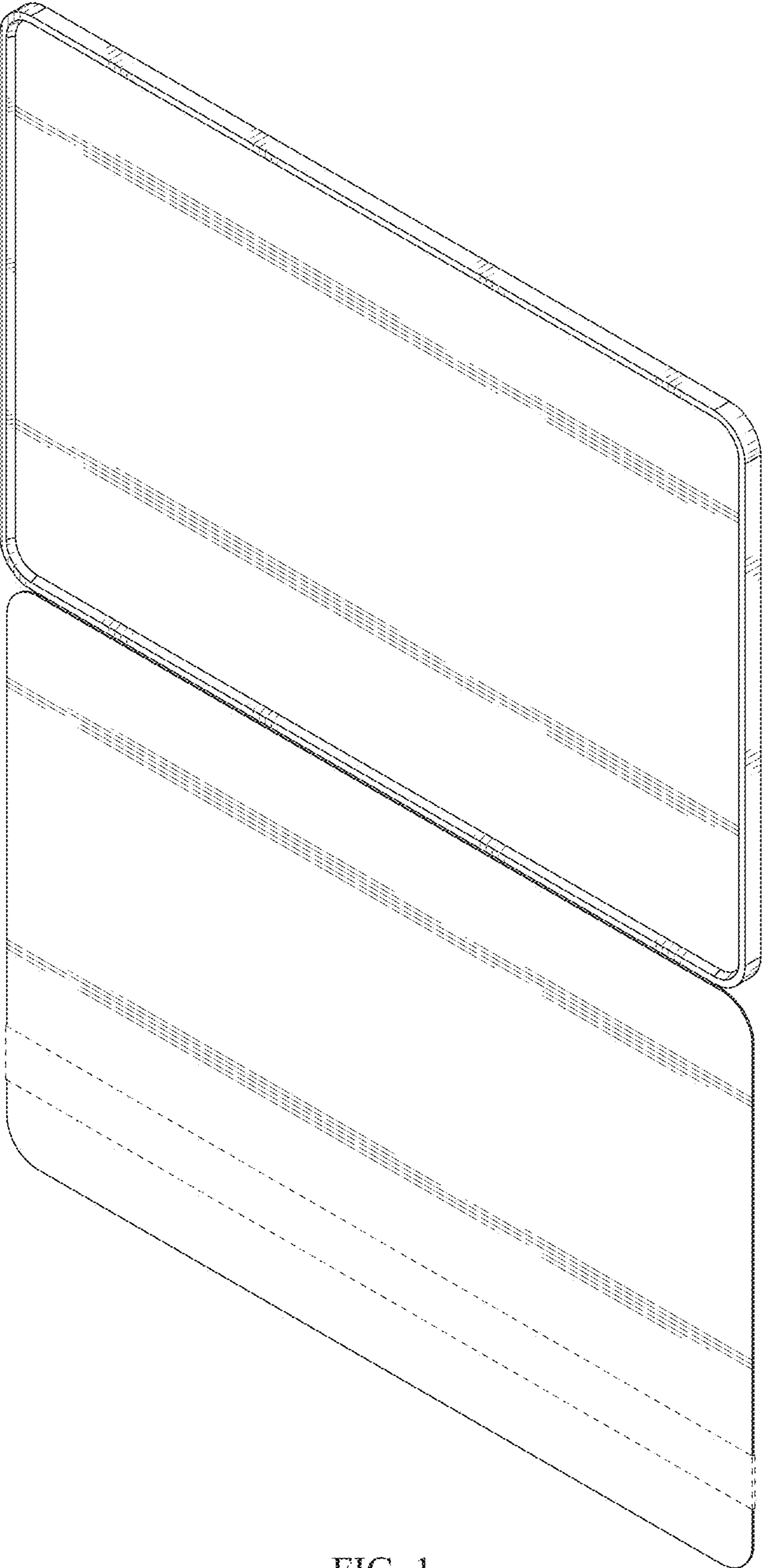


FIG. 1

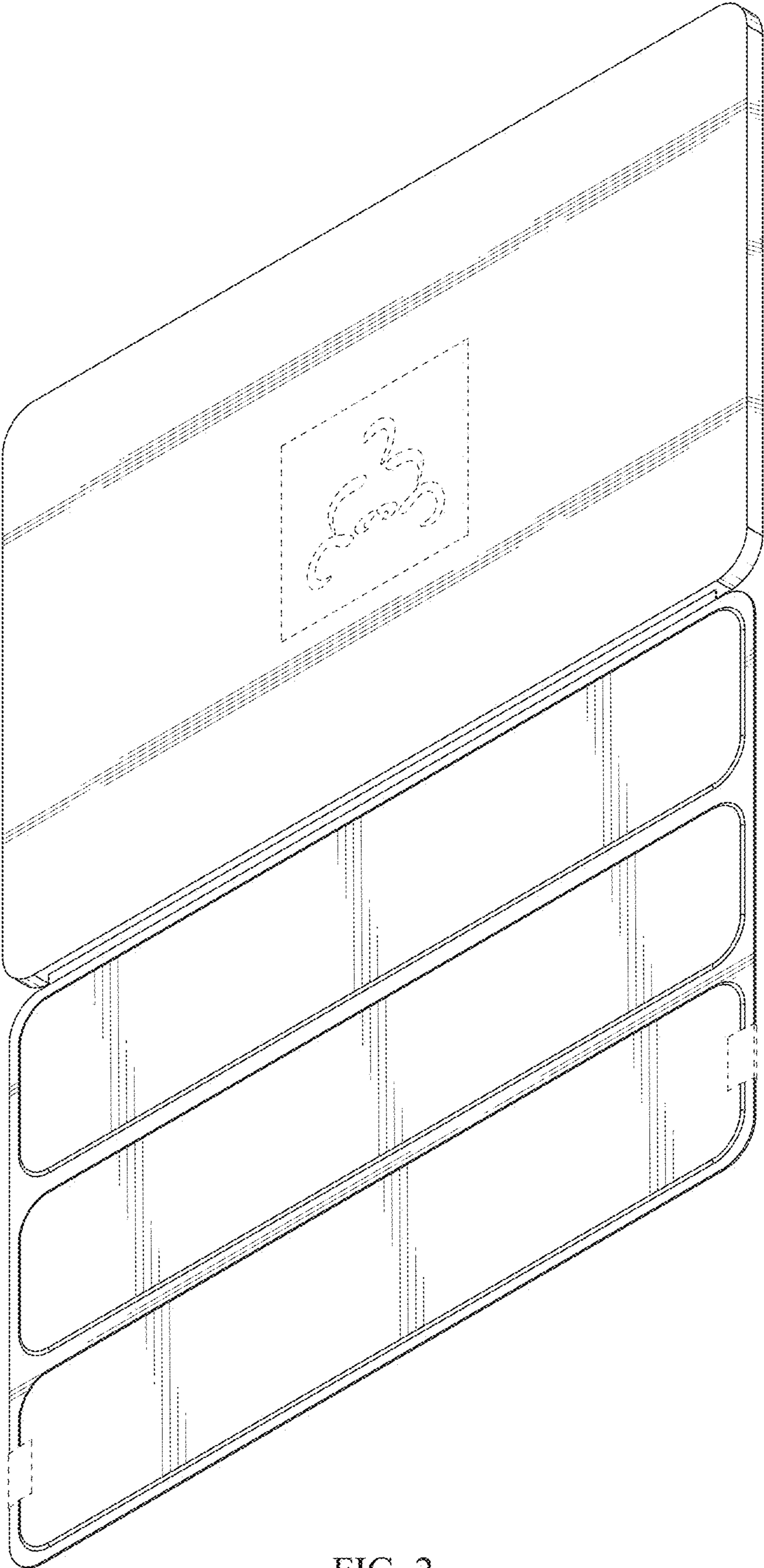


FIG. 2

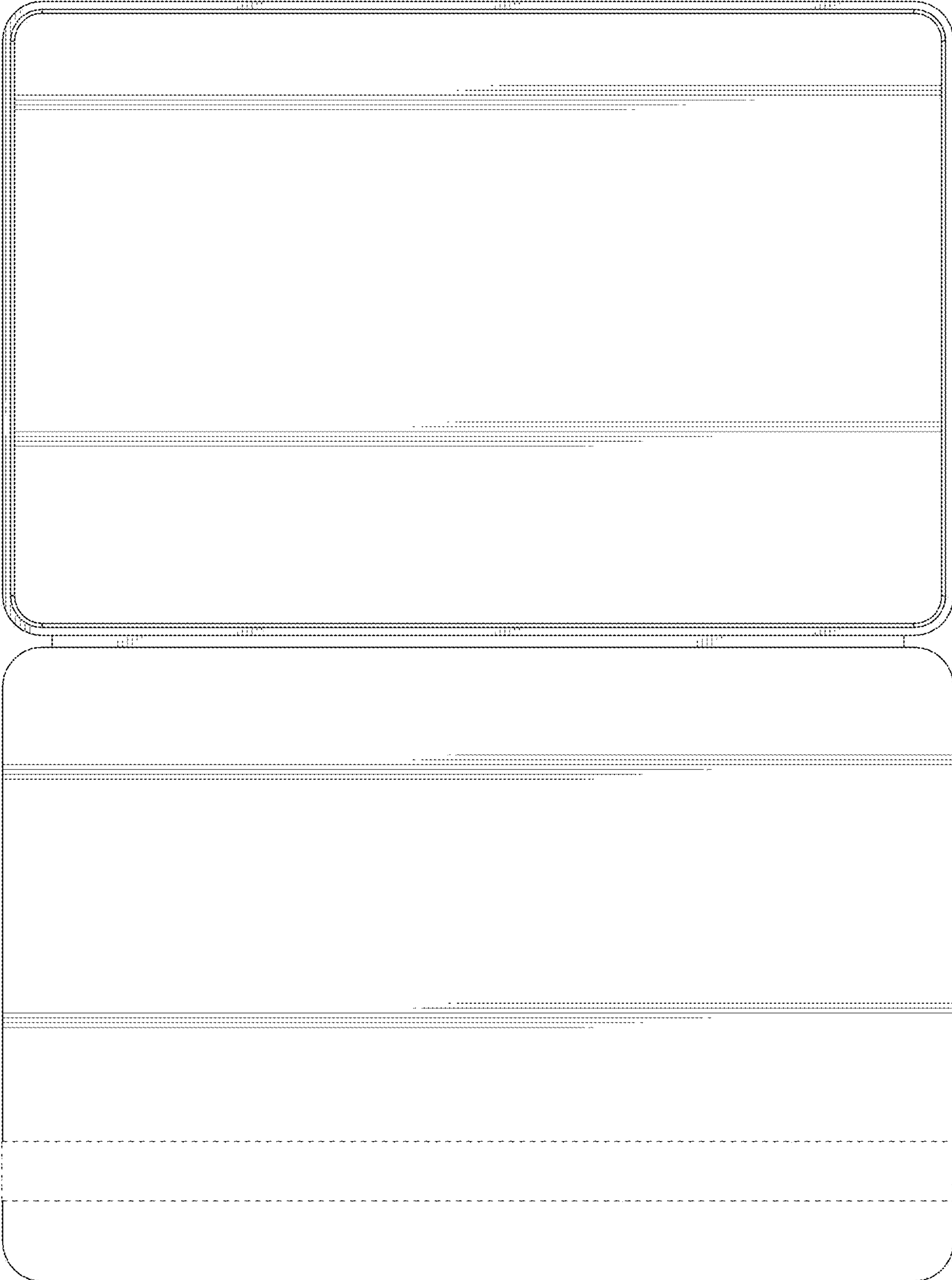


FIG. 3

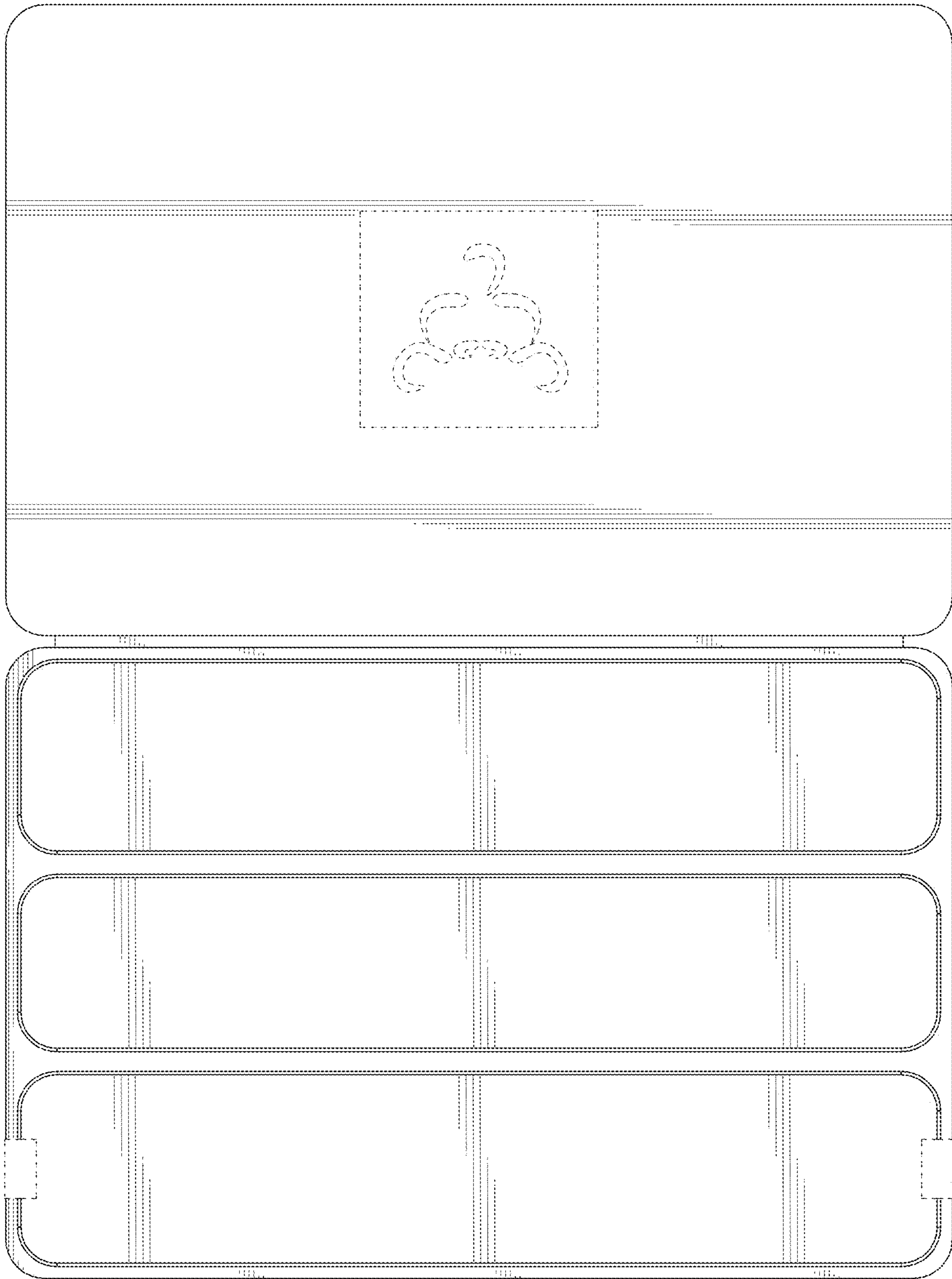


FIG. 4



FIG. 5

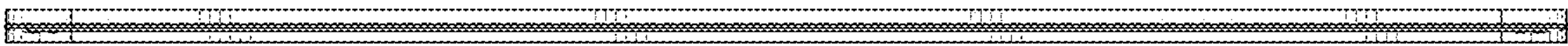


FIG. 6



FIG. 7



FIG. 8

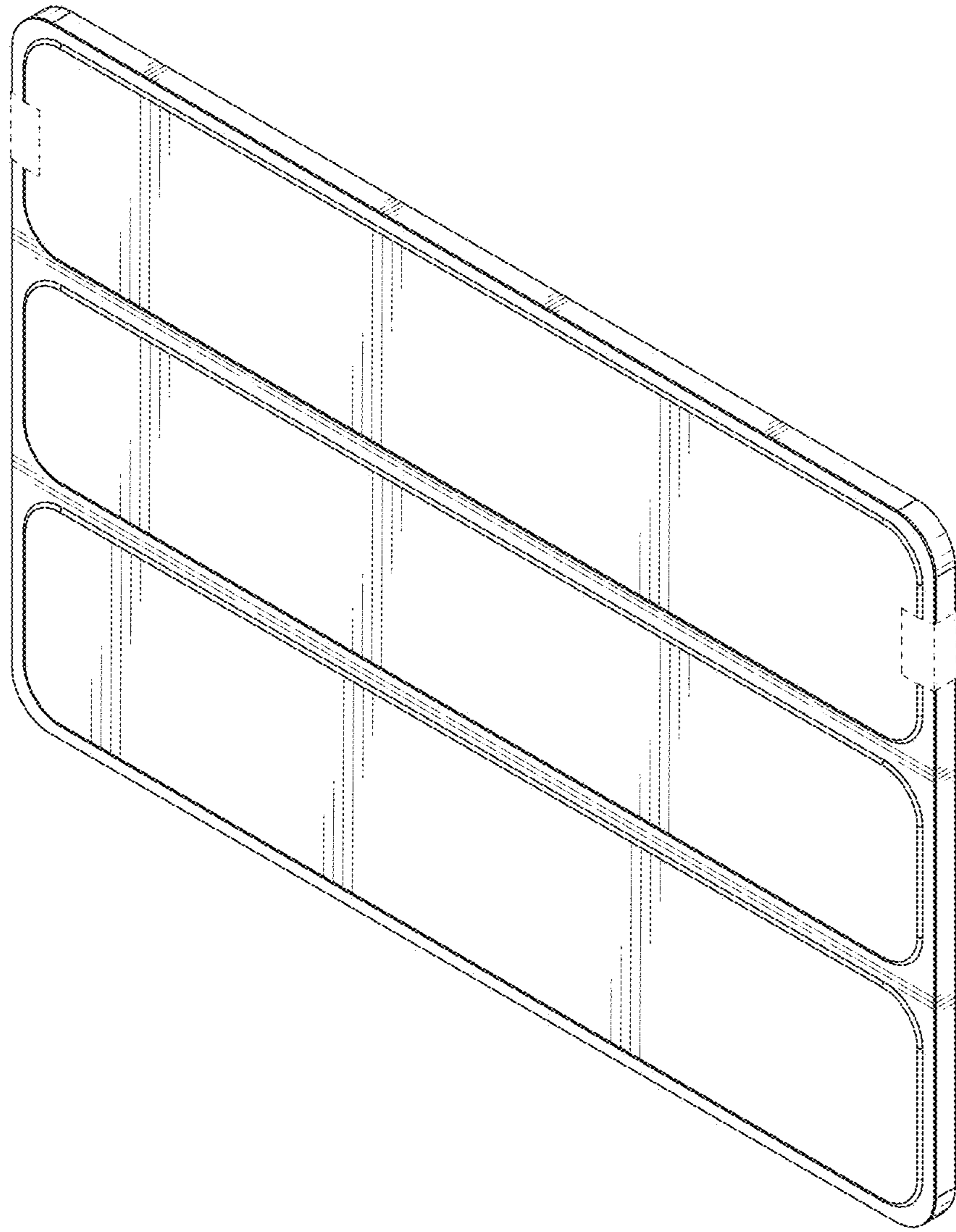


FIG. 9

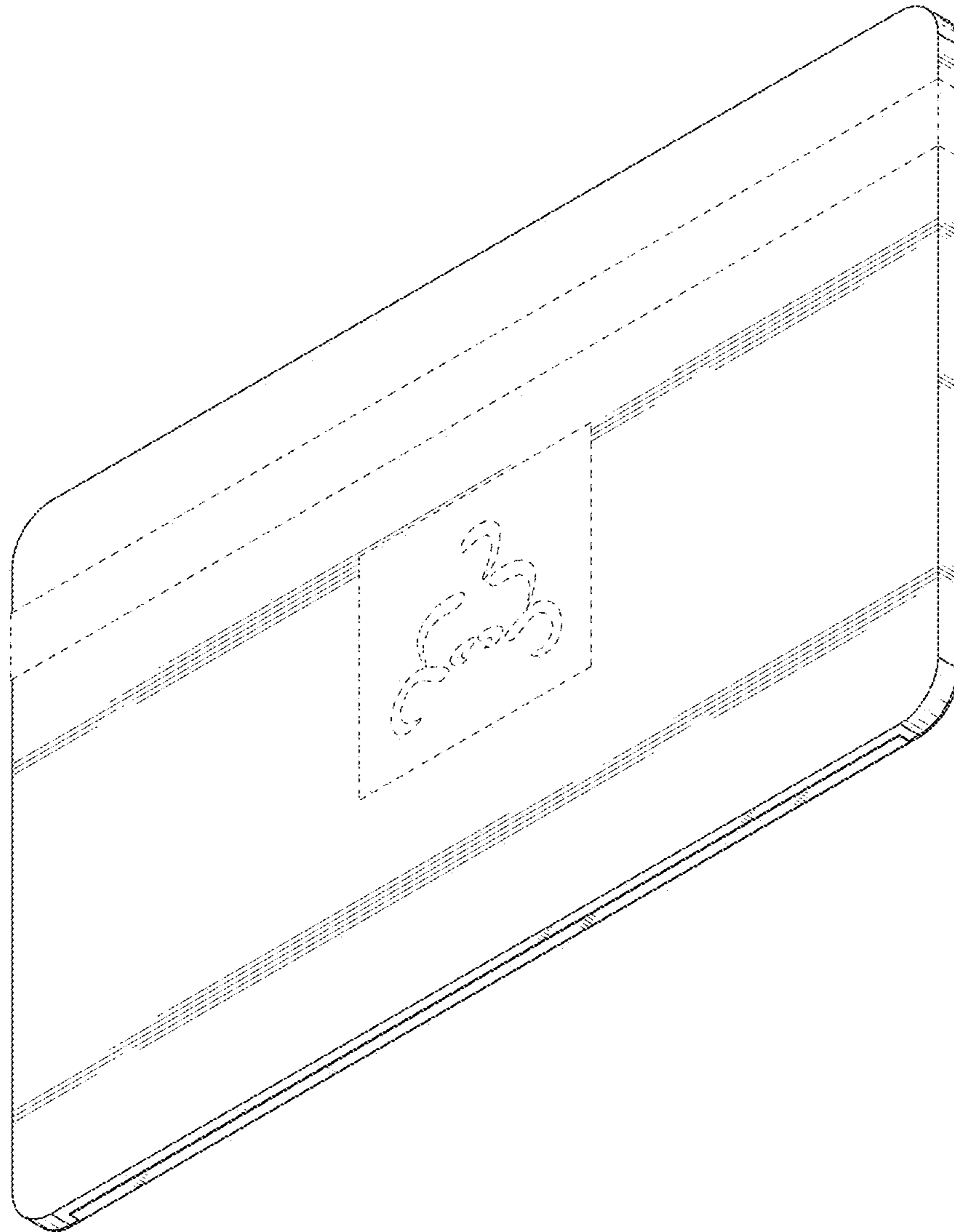


FIG. 10

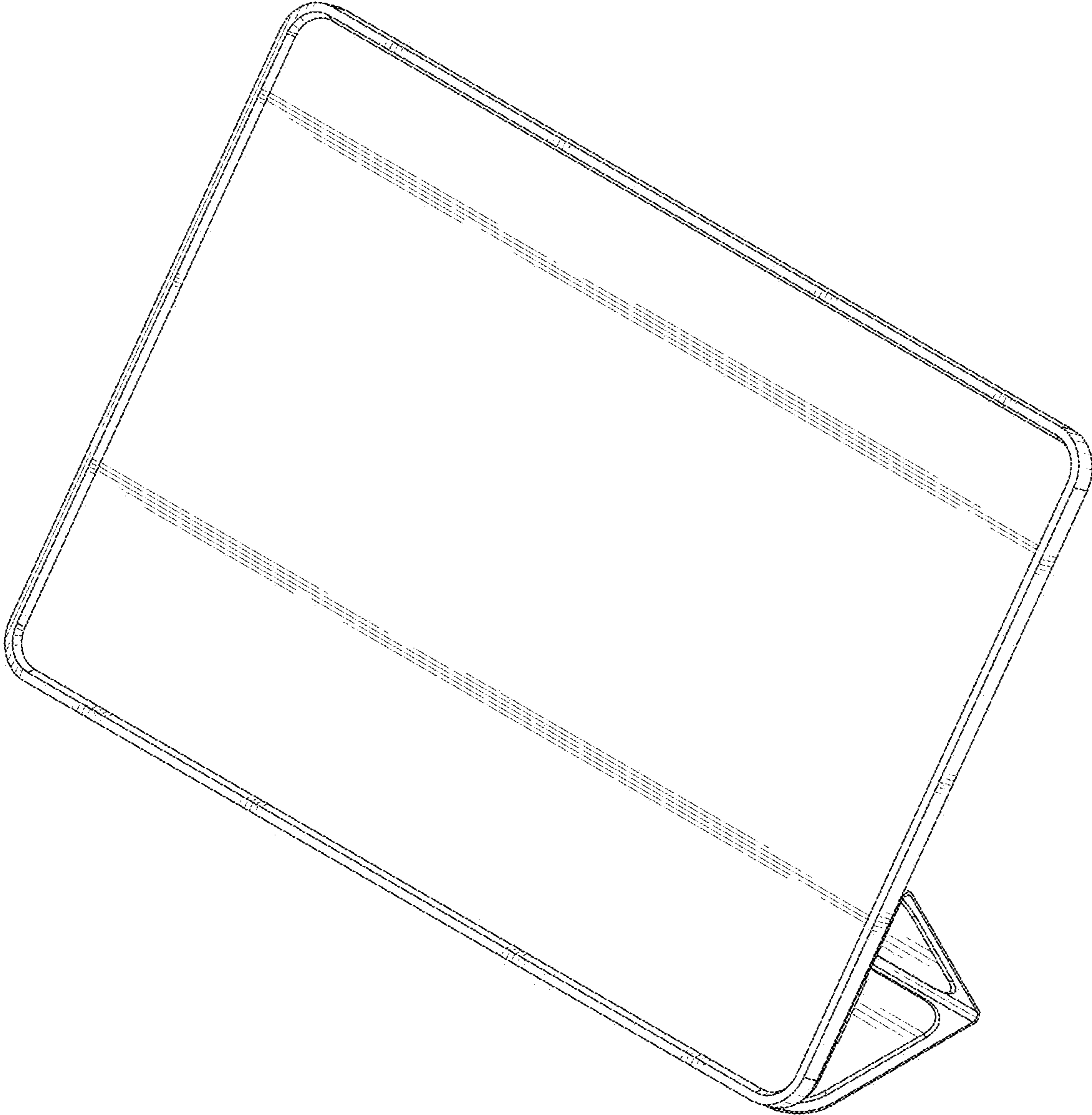


FIG. 11

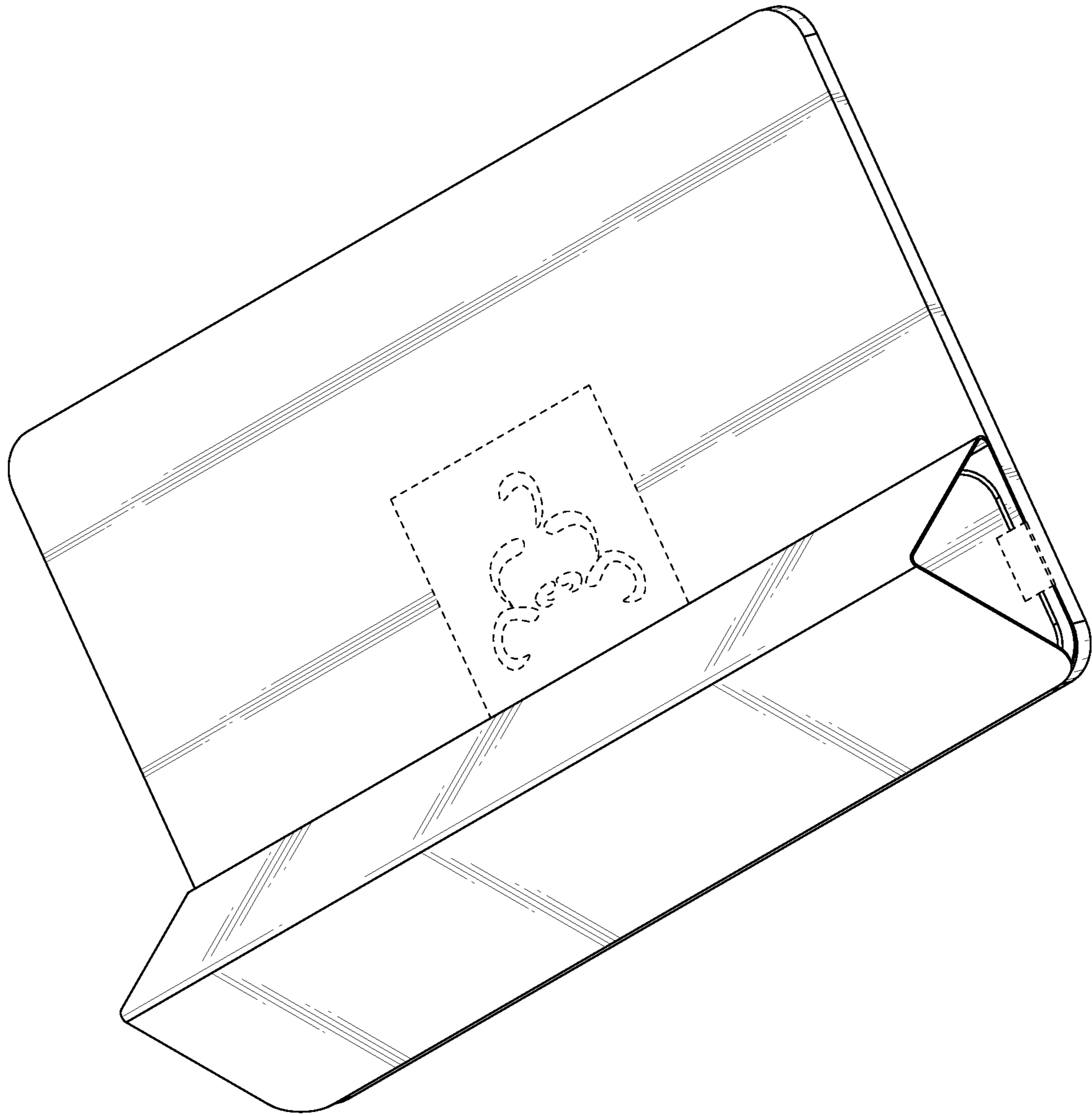


FIG. 12