



US0D1031827S

(12) **United States Design Patent**
Moriyama et al.

(10) **Patent No.:** **US D1,031,827 S**
(45) **Date of Patent:** **** Jun. 18, 2024**

(54) **PEDALBOARD**
(71) Applicant: **Roland Corporation**, Shizuoka (JP)
(72) Inventors: **Yasushi Moriyama**, Shizuoka (JP);
Shuichi Nakagawa, Shizuoka (JP)
(73) Assignee: **Roland Corporation**, Shizuoka (JP)
(**) Term: **15 Years**

D886,895 S * 6/2020 Faoro D17/99
10,832,644 B2 * 11/2020 Fiden G10H 1/348
10,867,590 B1 * 12/2020 Miller G10H 1/0008
D934,336 S * 10/2021 Trifilio D17/20
D934,337 S * 10/2021 Trifilio D17/20
D958,872 S * 7/2022 Deng D17/20
11,417,301 B2 * 8/2022 Stanley G10G 7/00
11,682,372 B2 * 6/2023 Fukuda G10H 1/348
84/453
11,705,097 B2 * 7/2023 Christian G10H 3/186
84/746

(Continued)

(21) Appl. No.: **29/794,898**

(22) Filed: **Jun. 15, 2021**

(30) **Foreign Application Priority Data**

Dec. 18, 2020 (JP) 2020-027342 D

(51) **LOC (14) Cl.** **17-03**

(52) **U.S. Cl.**
USPC **D17/99**

(58) **Field of Classification Search**
USPC D3/273, 276, 279, 281, 282, 283, 284,
D3/291, 294, 296, 297, 905, 900;
D17/20, 299; D13/162-167
CPC G10H 1/348; G10H 2230/371
See application file for complete search history.

(56) **References Cited**

U.S. PATENT DOCUMENTS

D247,993 S * 5/1978 Calzone, III D3/204
D351,502 S * 10/1994 Weir D3/273
6,215,055 B1 * 4/2001 Saravis G10H 1/348
84/746
6,723,909 B1 * 4/2004 Hooper, II G10H 1/32
84/177
D520,553 S * 5/2006 Bogdan D17/99
D642,373 S * 8/2011 Decarlo D3/204
D684,768 S * 6/2013 Cenzano D3/294
D802,923 S * 11/2017 Helweg D3/274
D845,624 S * 4/2019 Routh D3/274
10,380,984 B1 * 8/2019 Calder G10H 1/348

OTHER PUBLICATIONS

Gator Cases G-Tour Series Guitar Pedal board with ATA Road Case, Amazon.com (Year: 2012).*

Primary Examiner — Leanne Was-Englehart

(74) *Attorney, Agent, or Firm* — JCIPRNET

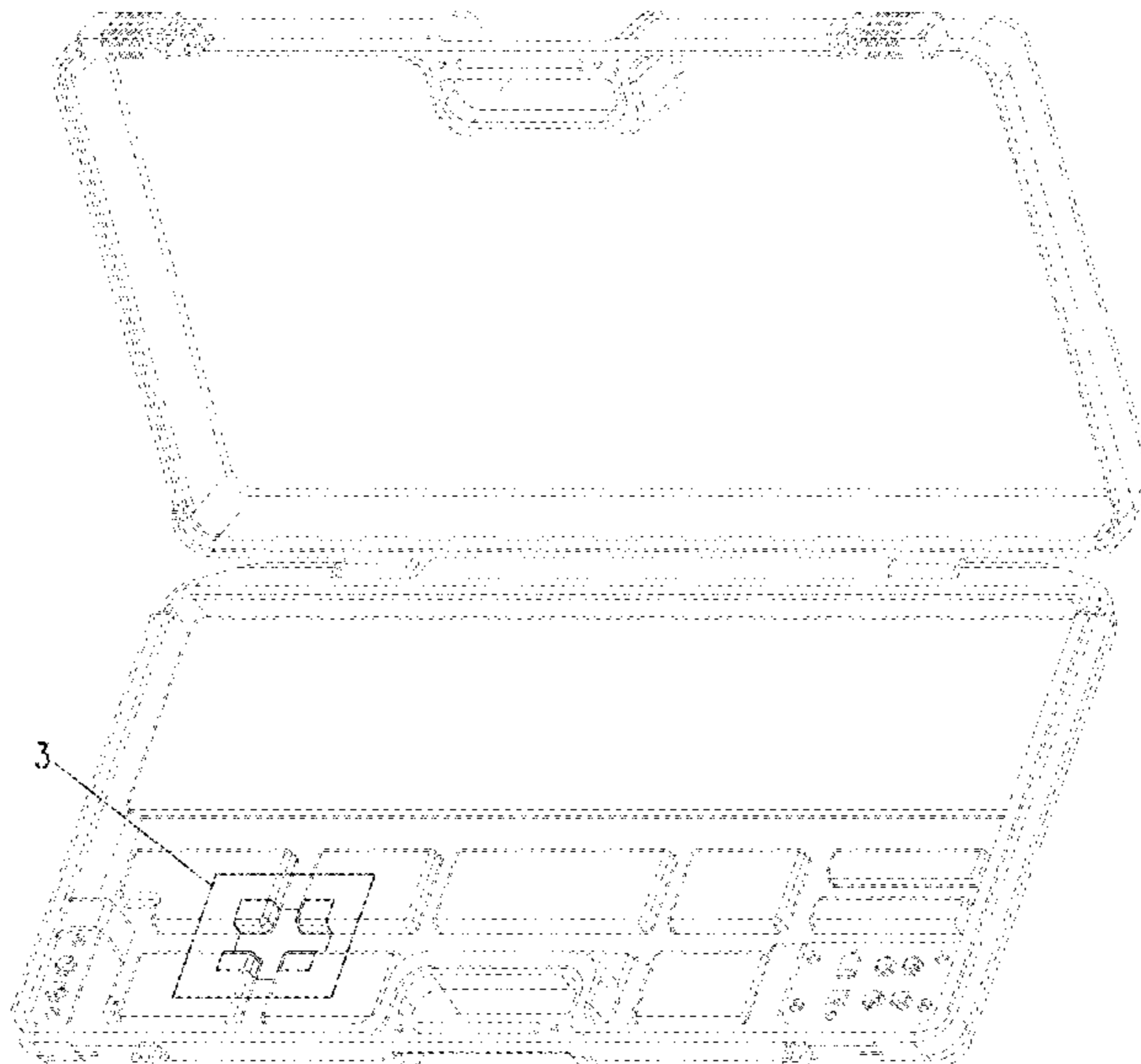
(57) **CLAIM**

The ornamental design for a pedalboard, as shown and described.

DESCRIPTION

FIG. 1 is a perspective view of a pedalboard showing our new design;
FIG. 2 is a top view thereof;
FIG. 3 is an enlarged view of the indicated portion in FIG. 1;
FIG. 4 is an enlarged view of the indicated portion in FIG. 2; and,
FIG. 5 is a top view thereof, showing the state while in use. The evenly spaced dashed broken lines illustrate portions of the article that form no part of the claimed design. The dot-dash broken lines represent the boundaries of the claimed design, and form no part thereof. The dot-dot-dash broken lines depict the limits of the enlarged views and form no part of the claimed design.

1 Claim, 4 Drawing Sheets



(56)

References Cited

U.S. PATENT DOCUMENTS

D995,547	S *	8/2023	Mitsubishi	D14/485
2005/0056142	A1 *	3/2005	Mapleston	G10H 3/186
					84/645
2020/0027433	A1 *	1/2020	Wilfer	G10H 1/34
2021/0043176	A1 *	2/2021	Kaletta	G10H 1/0091
2022/0208162	A1 *	6/2022	Moriyama	G10H 1/348
2023/0005461	A1 *	1/2023	Angelillis	G10H 1/0091
2023/0032698	A1 *	2/2023	Aviv	G10H 1/348
2023/0215408	A1 *	7/2023	Ivens	G10H 1/348
					84/746

* cited by examiner

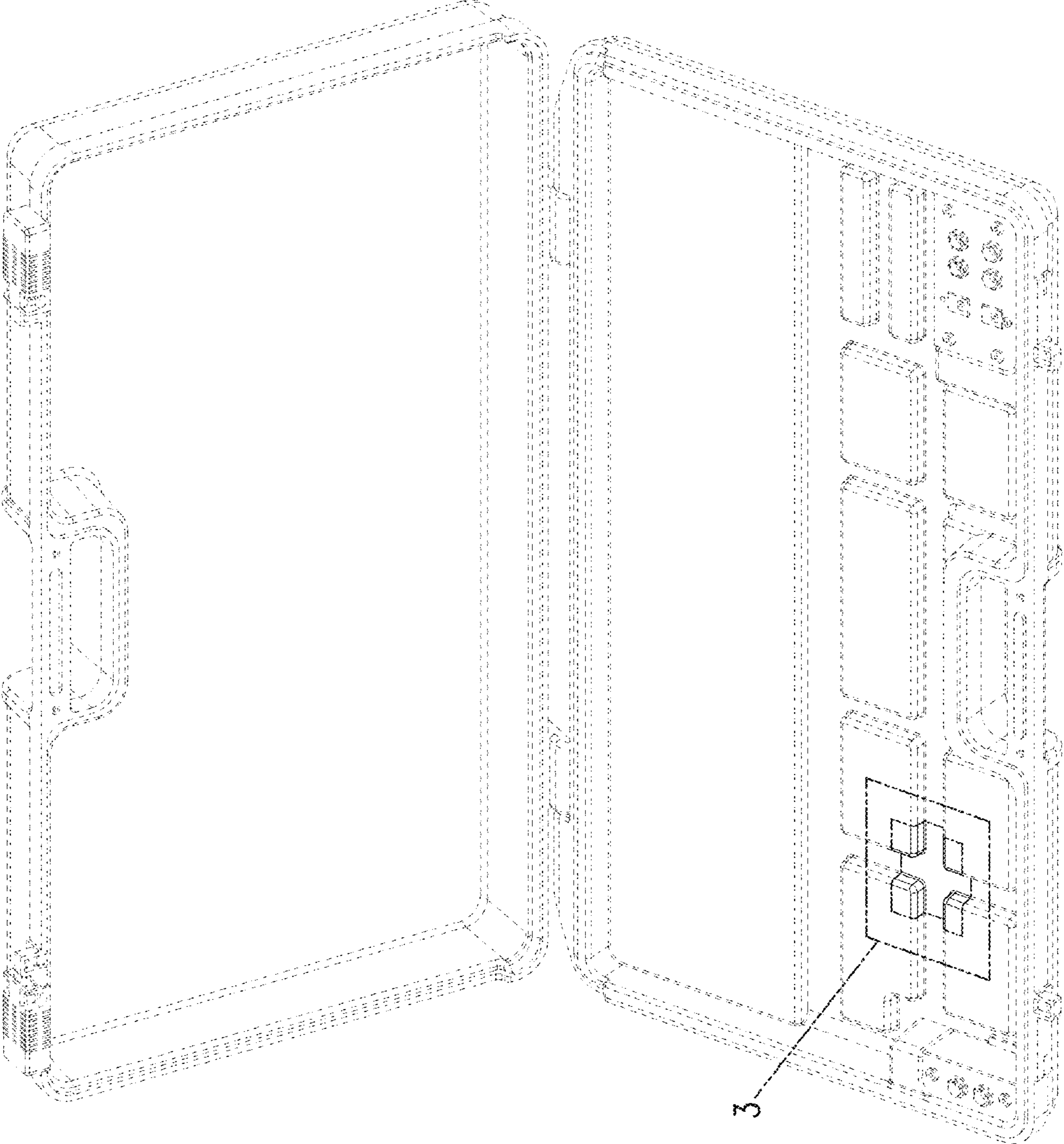


FIG. 1

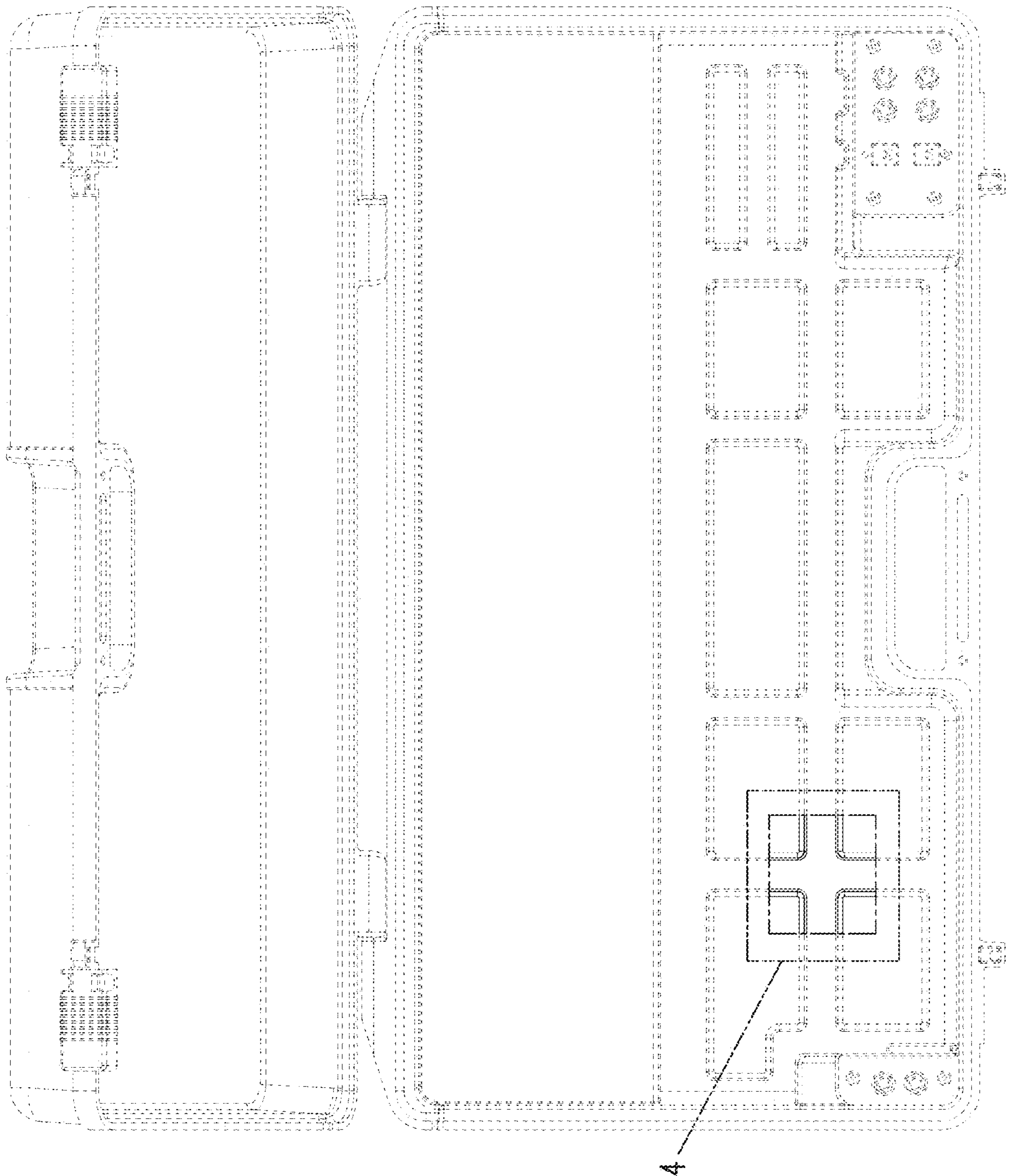


FIG. 2

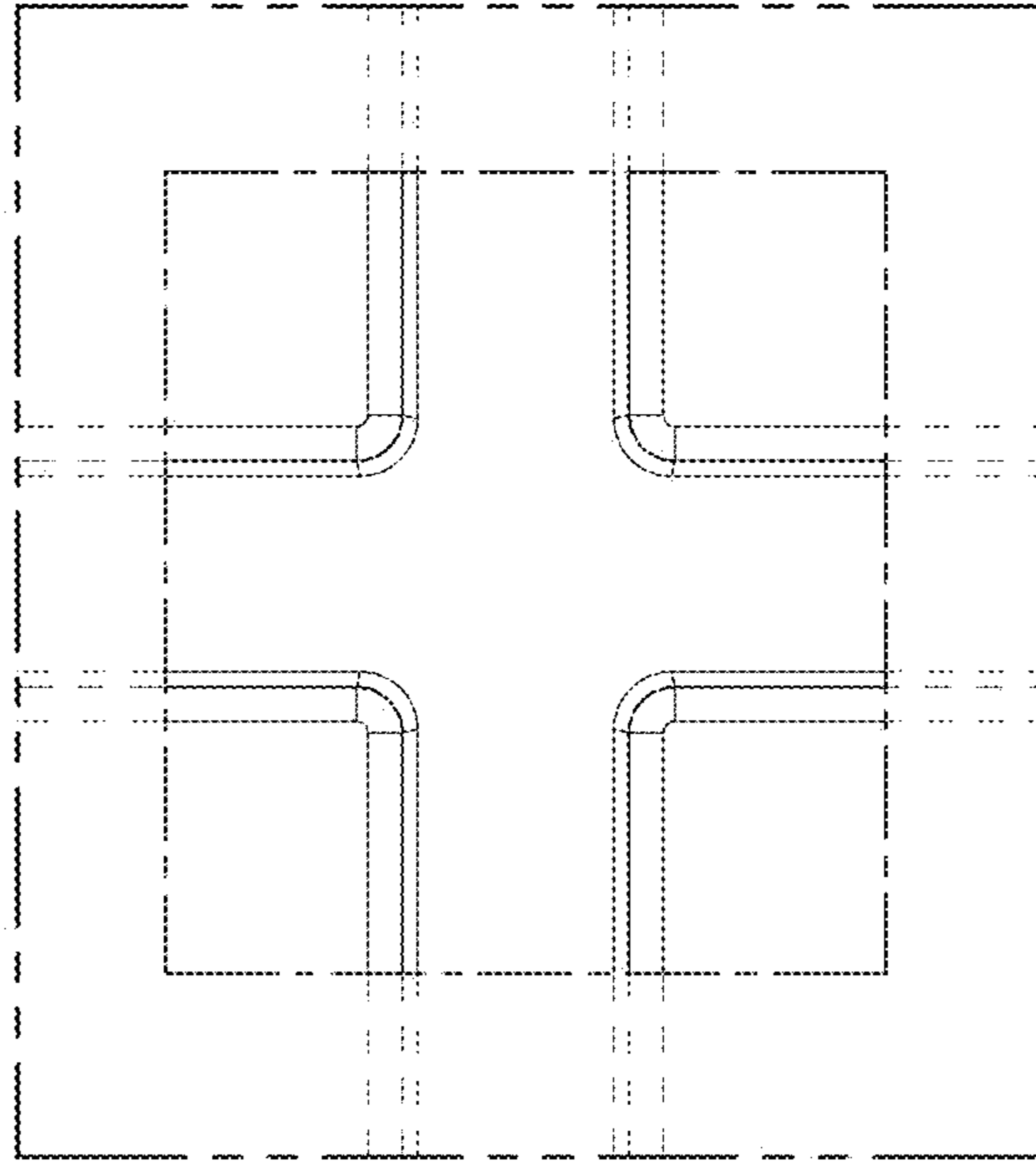


FIG. 4

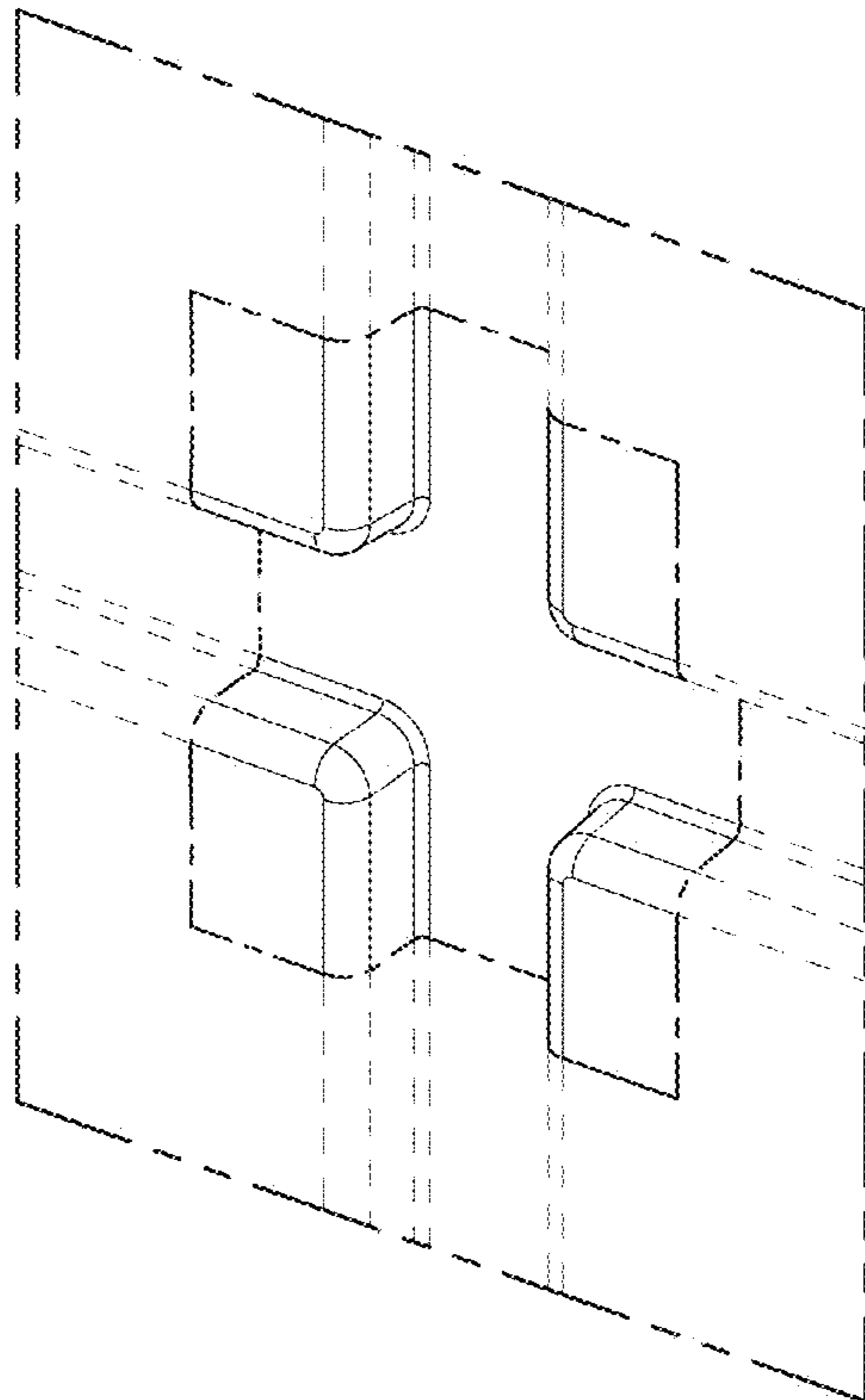


FIG. 3

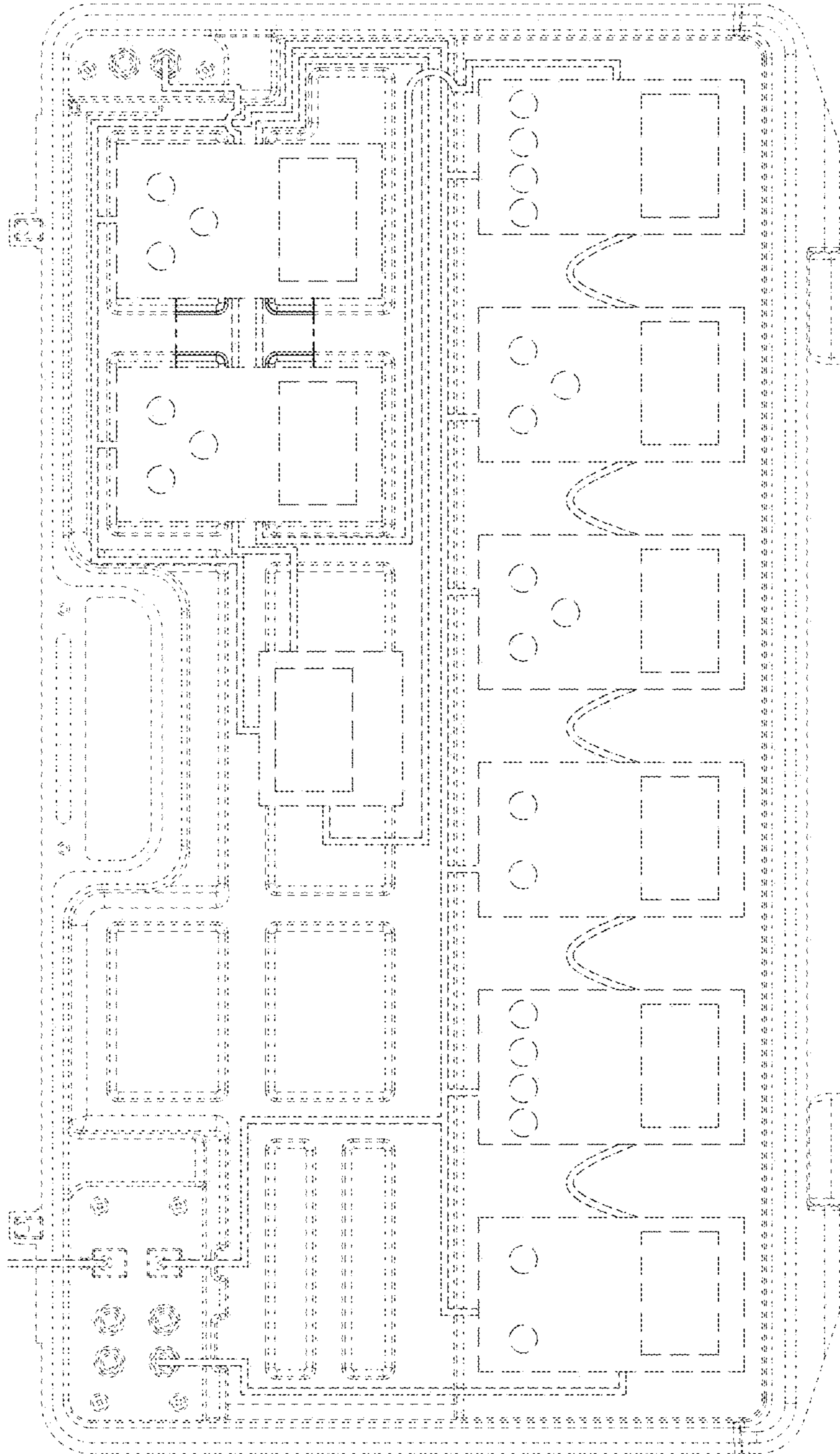


FIG. 5