



US0D1031783S

(12) **United States Design Patent**
Ellis et al.

(10) **Patent No.: US D1,031,783 S**

(45) **Date of Patent: ** Jun. 18, 2024**

(54) **HOUSING**

(71) Applicant: **Seamule, LLC**, St. Petersburg, FL (US)

(72) Inventors: **Cayman Ellis**, Madiera Beach, FL (US); **Kenny Miller**, Madiera Beach, FL (US)

(**) Term: **15 Years**

(21) Appl. No.: **29/871,570**

(22) Filed: **Feb. 23, 2023**

(51) **LOC (14) Cl.** **12-06**

(52) **U.S. Cl.**

USPC **D12/317**; D13/184

(58) **Field of Classification Search**

USPC D12/300, 317; D15/4, 5, 7, 8, 9;
D23/206, 213, 214, 235, 245, 249, 257,
D23/259, 260, 270; D13/152, 184
CPC .. F01P 3/205; F01P 2011/065; F01P 2050/12;
F02B 77/04; F02B 61/045

See application file for complete search history.

(56) **References Cited**

U.S. PATENT DOCUMENTS

D355,502 S *	2/1995	Liao	D26/63
D416,310 S *	11/1999	Uehara	D23/235
D416,873 S *	11/1999	Korsunsky	D14/140.5
D632,702 S *	2/2011	Gruber	D15/7
D633,100 S *	2/2011	Lundberg	D15/1
D641,383 S *	7/2011	Gruber	D15/7
D710,399 S *	8/2014	Oeder	D15/28
D710,400 S *	8/2014	Oeder	D15/28
D727,972 S *	4/2015	Jhou	D15/9
D734,367 S *	7/2015	Jhou	D15/9
D755,927 S *	5/2016	Holmberg	D23/233
D835,755 S *	12/2018	Sato	D23/233
D854,659 S *	7/2019	Sakamoto	D23/235
D870,636 S *	12/2019	Boykin	D10/103
D890,900 S *	7/2020	Bink	D15/5

D897,281 S *	9/2020	Shum	D13/103
D925,003 S *	7/2021	Ellis	D23/233
D950,678 S *	5/2022	Vogtner	D23/207
D986,071 S *	5/2023	Huang	D10/40

OTHER PUBLICATIONS

Flushmaster, available in boatoutfitters.com, no date found [online], [site visited Feb. 7, 2024], Internet URL: https://www.boatoutfitters.com/flushmaster?gad_source=1&gclid=EA1a1QobChMI-t-To7mZhAMVrEhHAR1RTQoiEAQYASABEgKJN_D_BwE#216=6536&215=6542 (Year: 2024).*

Flushmaster Outboard Motor Product, announced in YouTube on Nov. 8, 2023 [online], [site visited Feb. 7, 2024], Available from the internet URL: <https://www.youtube.com/watch?v=Q3v2AIHApUY> (Year: 2023).*

* cited by examiner

Primary Examiner — Calvin E Vansant

Assistant Examiner — Eidiol Ghigliotty Torres

(74) *Attorney, Agent, or Firm* — Larson & Larson; Justin P. Miller; Frank Liebenow

(57) **CLAIM**

We claim the ornamental design for a housing, as shown and described.

DESCRIPTION

FIG. 1 is a front perspective view of a housing showing my new design;

FIG. 2 is a rear perspective view thereof;

FIG. 3 is a front elevation view thereof;

FIG. 4 is a back elevation thereof;

FIG. 5 is a left-side elevation view thereof; and

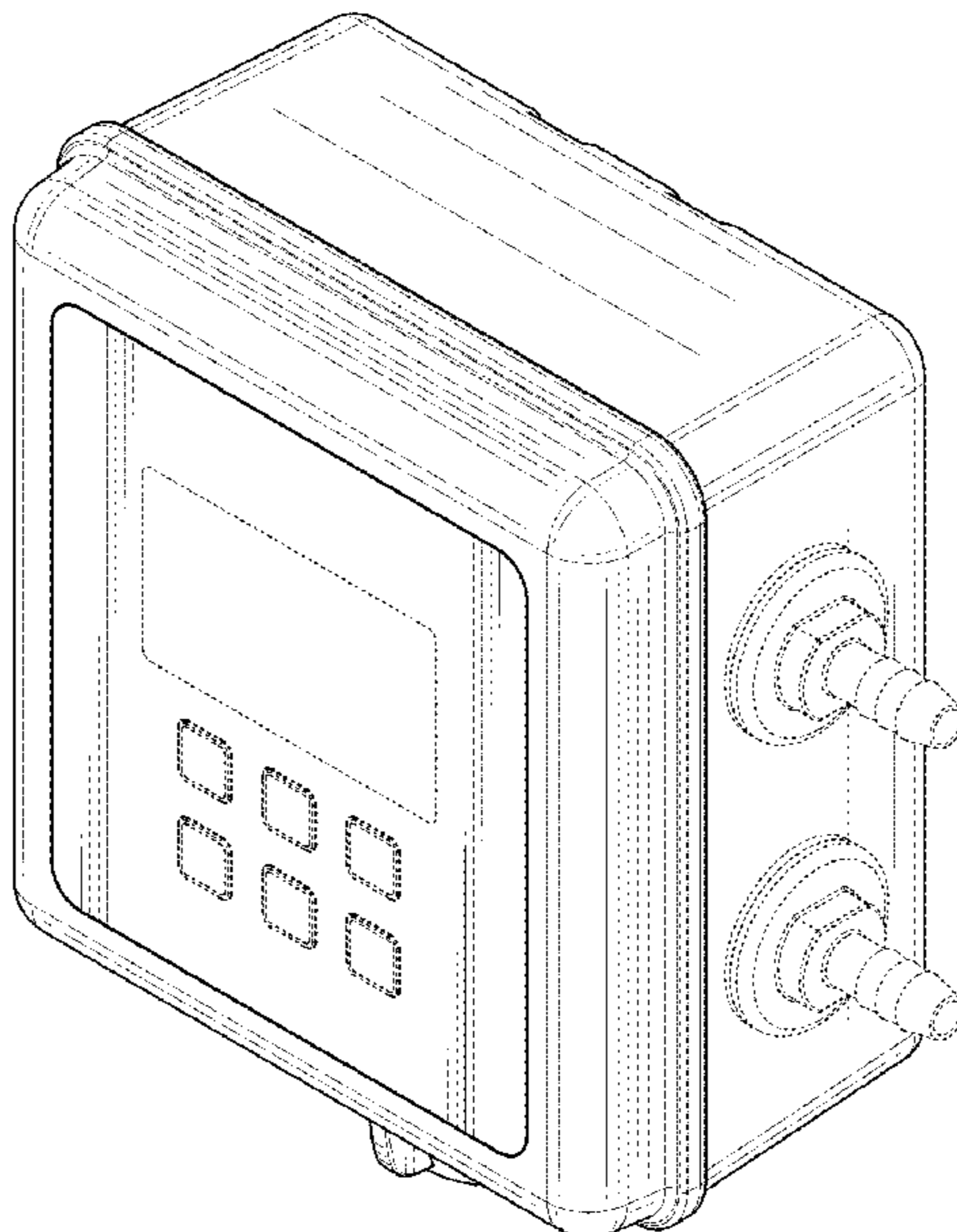
FIG. 6 is a right-side elevation view thereof;

FIG. 7 is a top plan view thereof; and,

FIG. 8 is a bottom plan view thereof, showing the housing.

The broken lines depict portions of the housing that form no part of the claimed design.

1 Claim, 7 Drawing Sheets



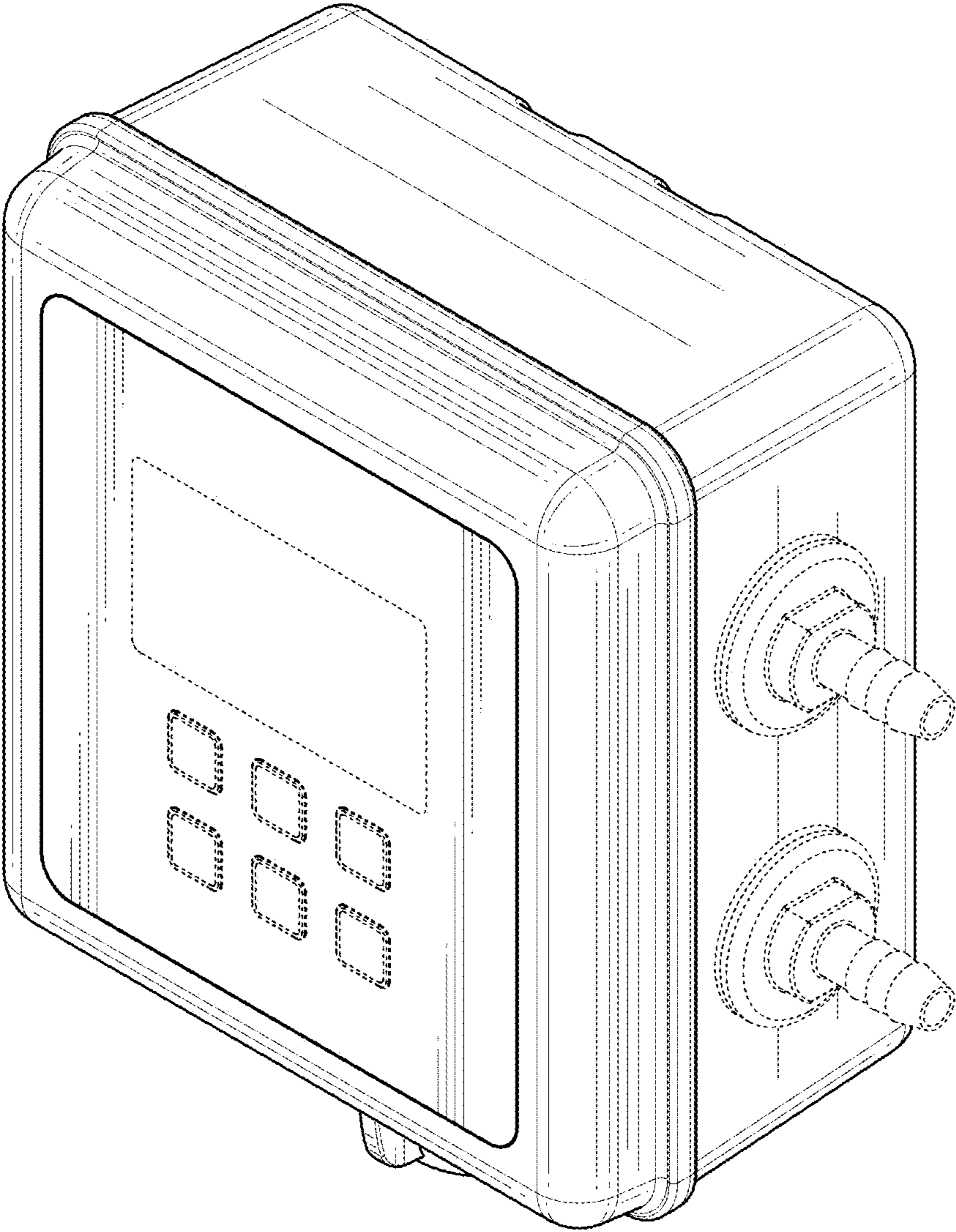


FIG. 1

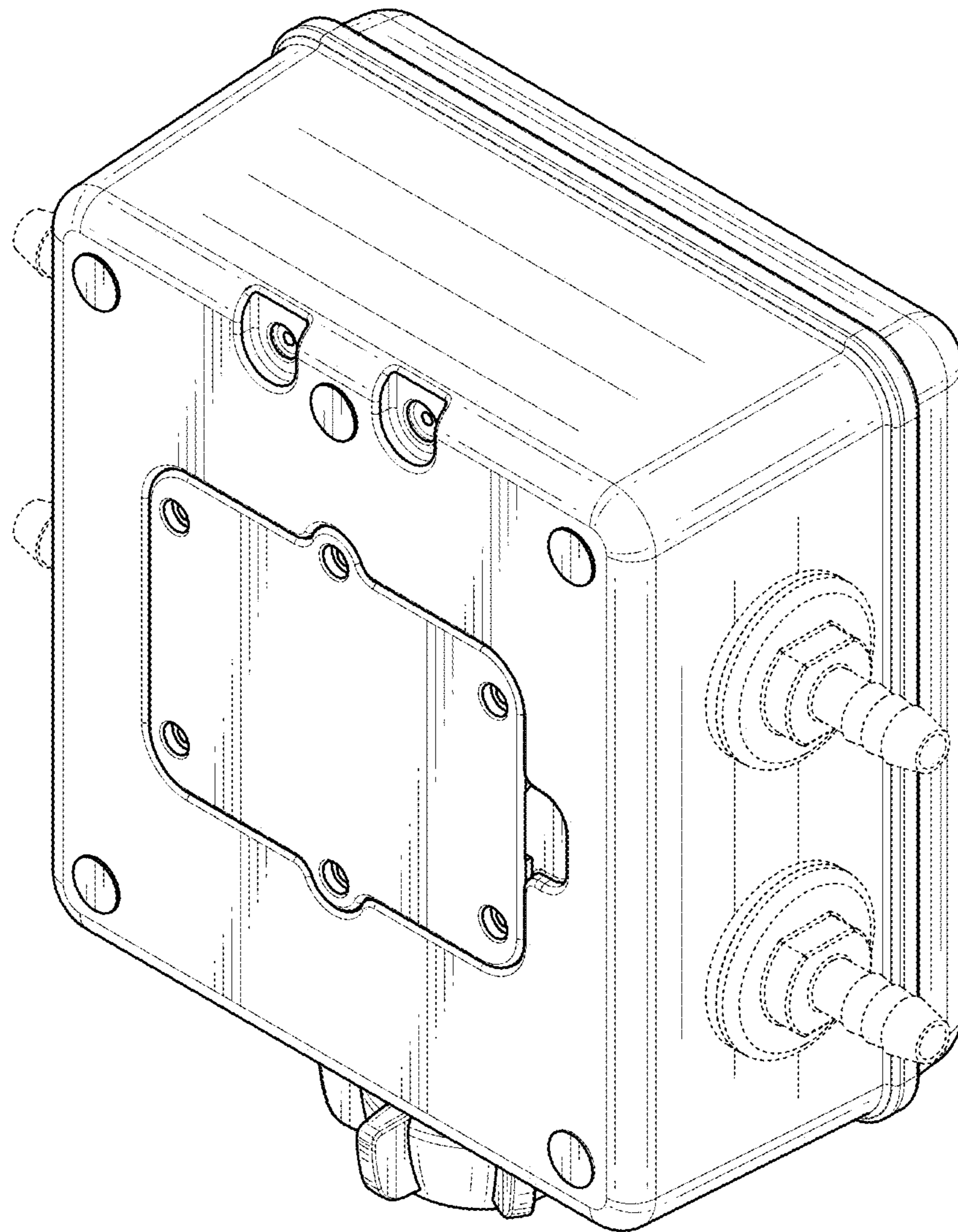


FIG. 2

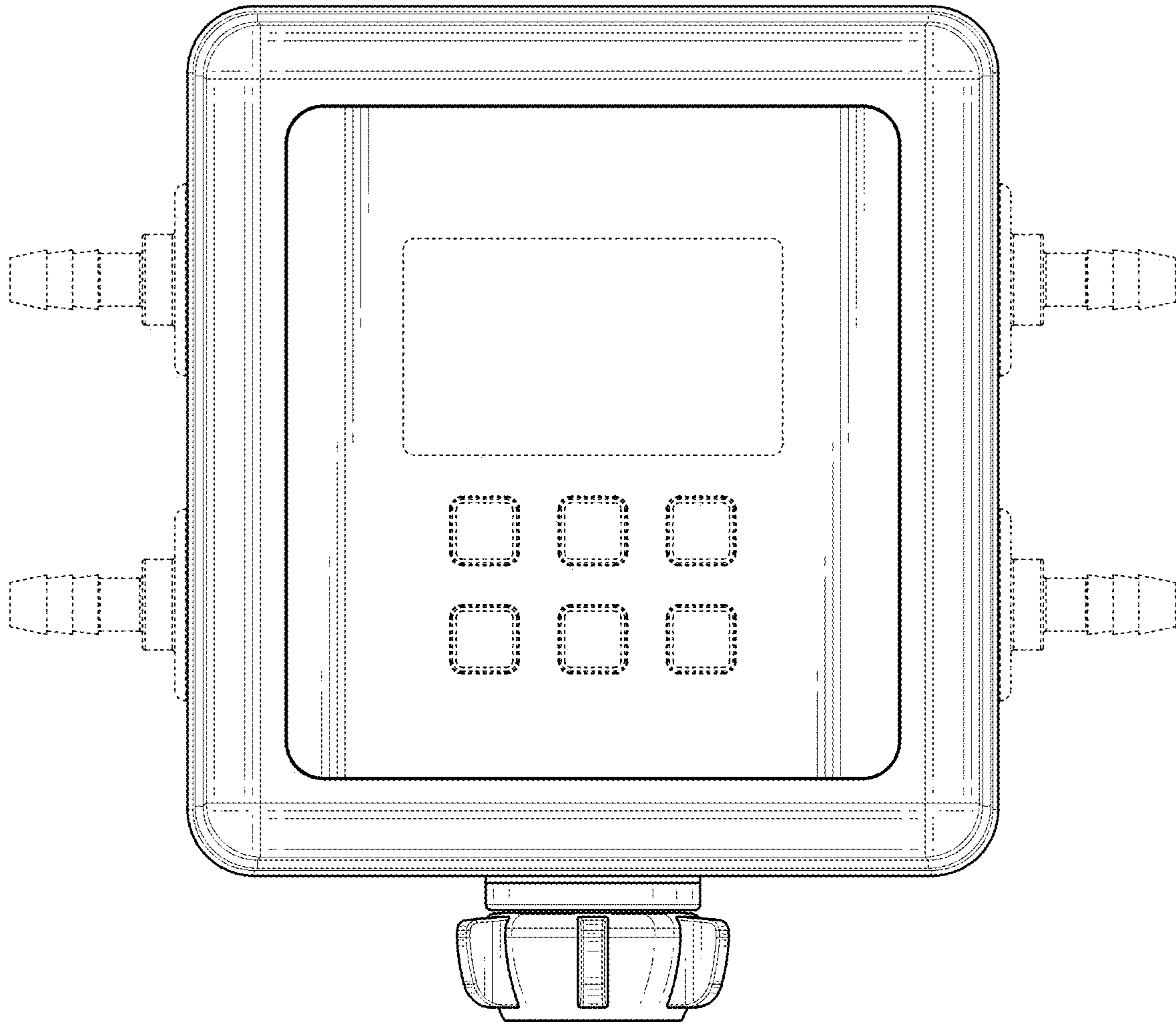


FIG. 3

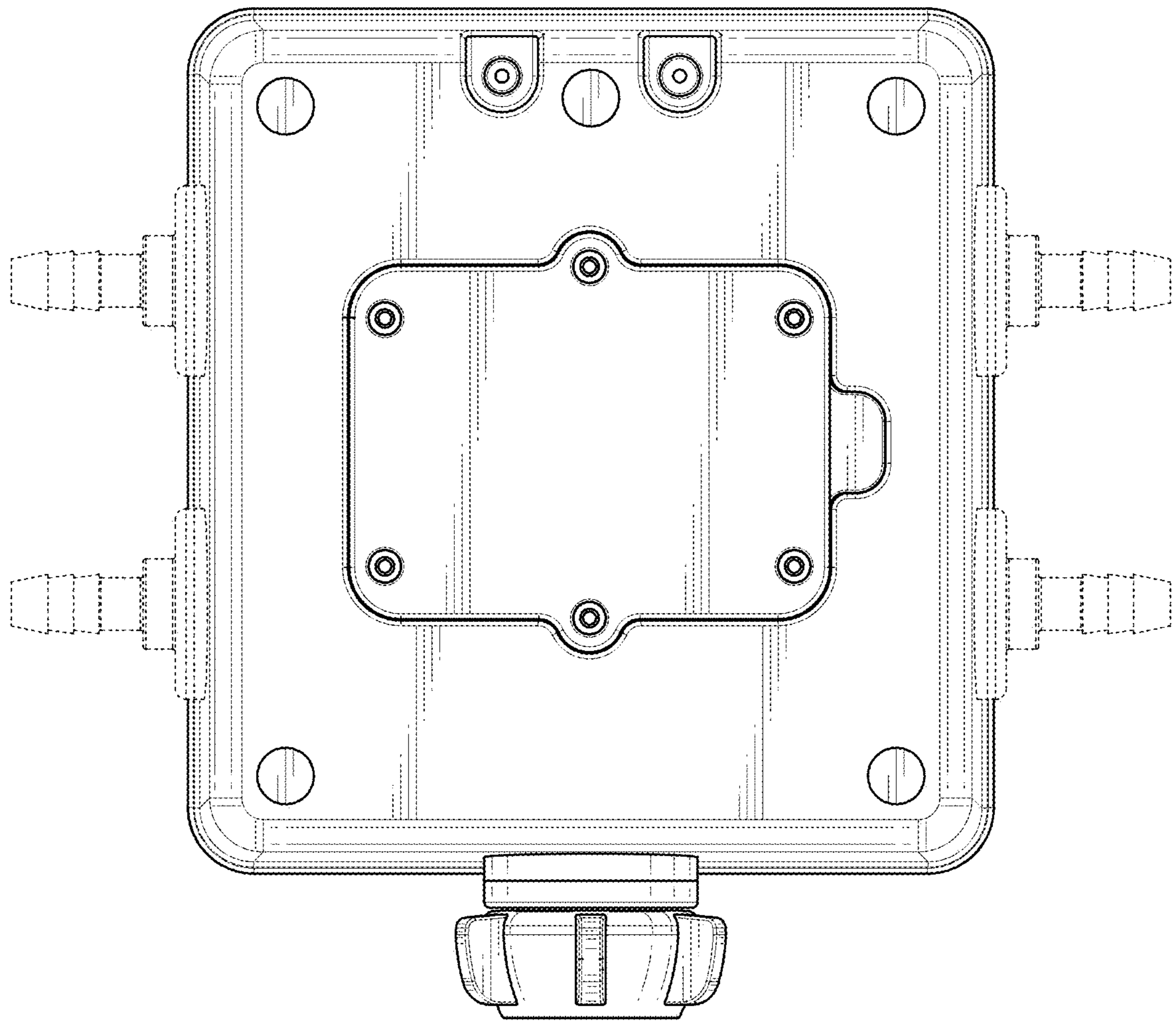


FIG. 4

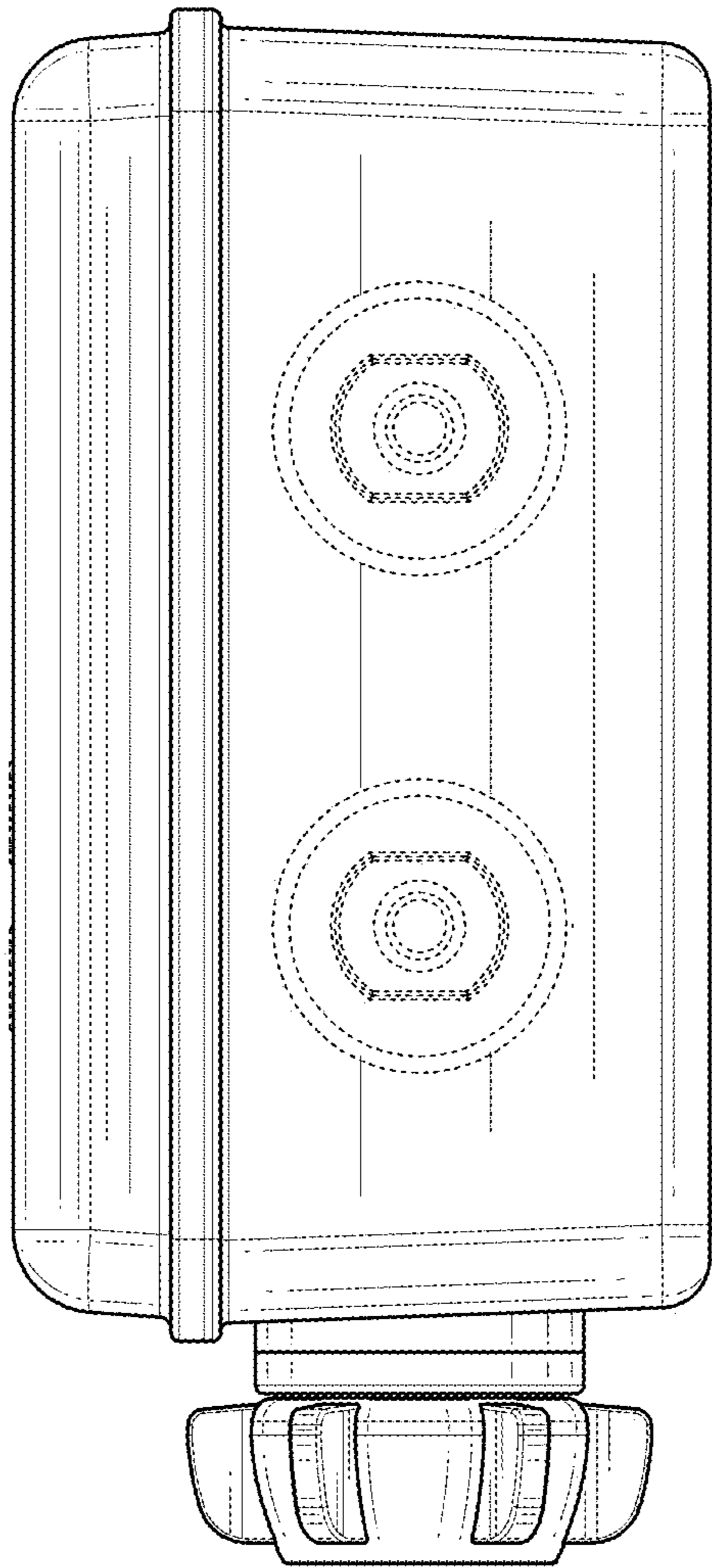


FIG. 5

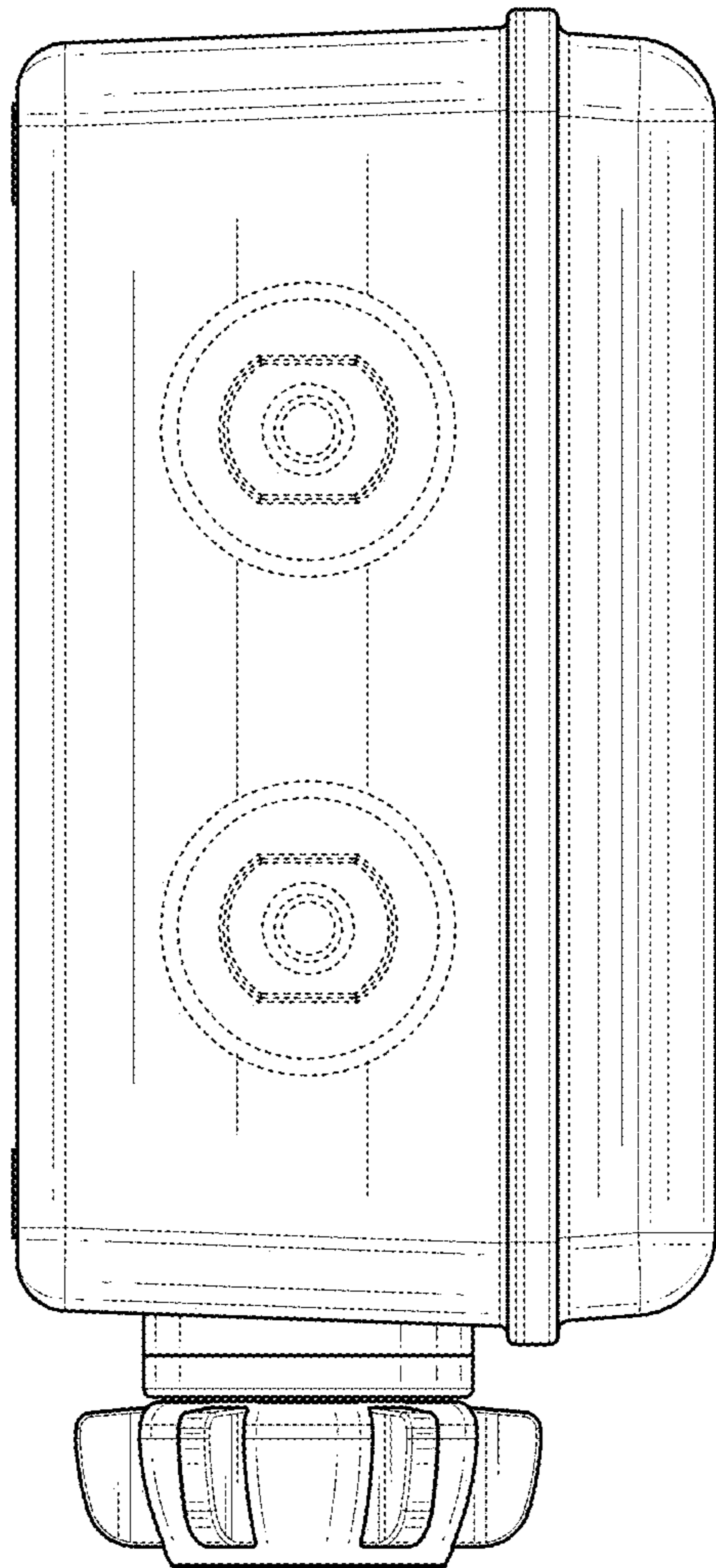


FIG. 6

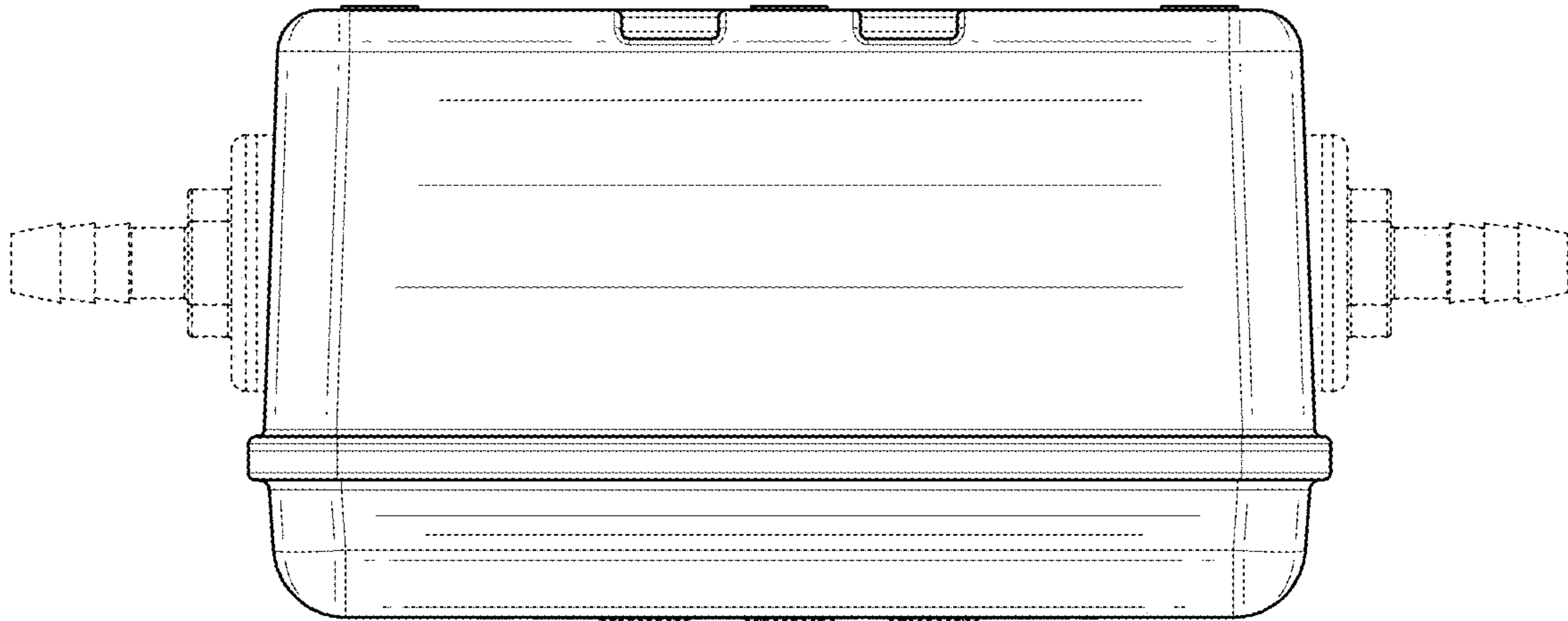


FIG. 7

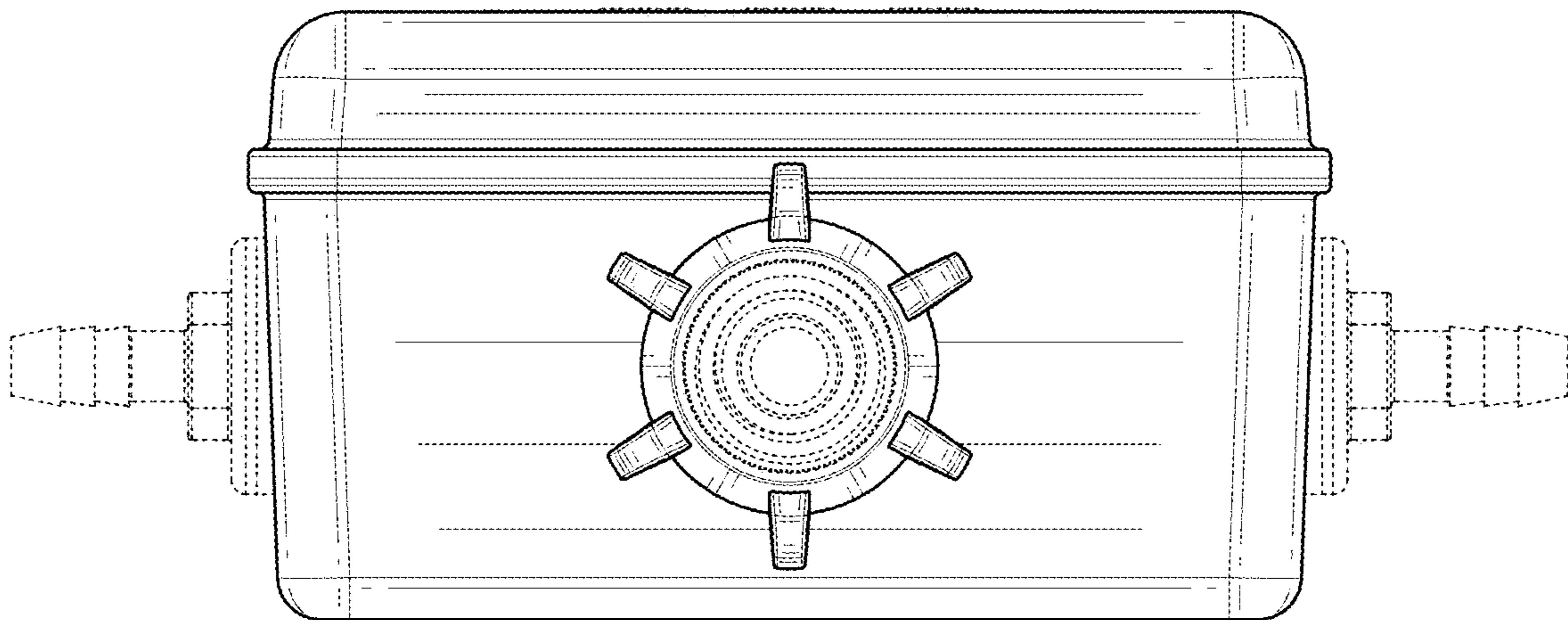


FIG. 8