



US0D1031781S

(12) **United States Design Patent**
Sprowl et al.

(10) **Patent No.:** **US D1,031,781 S**

(45) **Date of Patent:** **** Jun. 18, 2024**

(54) **MODEL VEHICLE MOTOR MOUNT**

5,338,247 A 8/1994 Miles
D375,037 S 10/1996 Toenders
D403,023 S 12/1998 Araki
D411,263 S 6/1999 Korsholm

(Continued)

(71) Applicant: **TRAXXAS, L.P.**, McKinney, TX (US)

(72) Inventors: **Jory Sprowl**, Howe, TX (US); **Ross Martin**, Roanoke, TX (US); **Otto Karl Allmendinger**, Rowlett, TX (US); **Adam Cole Ewing**, McKinney, TX (US)

FOREIGN PATENT DOCUMENTS

EM 008305460-0004 12/2020
EM 008305460-0005 12/2020

(73) Assignee: **TRAXXAS, L.P.**, McKinney, TX (US)

(**) Term: **15 Years**

(21) Appl. No.: **29/886,328**

(22) Filed: **Mar. 7, 2023**

(51) **LOC (14) Cl.** **21-01**

(52) **U.S. Cl.**
USPC **D21/495**

(58) **Field of Classification Search**
USPC D12/159, 160; D21/495, 533, 548, 549,
D21/550, 561, 562
CPC A63H 17/26; A63H 17/262; A63H 17/264;
A63H 17/266; A63H 17/36; A63H 17/00;
A63H 17/002; A63H 30/00

See application file for complete search history.

OTHER PUBLICATIONS

Traxxas 7760, available in ebay.com, no date found [online], [site visited Apr. 16, 2024], Internet URL: <https://www.ebay.com/itm/256250318339> (Year: 2024).*

(Continued)

Primary Examiner — Calvin E Vansant

Assistant Examiner — Eidiol Ghigliotty Torres

(74) *Attorney, Agent, or Firm* — Daryl R. Wright; Greg Carr

(57) **CLAIM**

We claim the ornamental design for a model vehicle motor mount, as shown and described.

DESCRIPTION

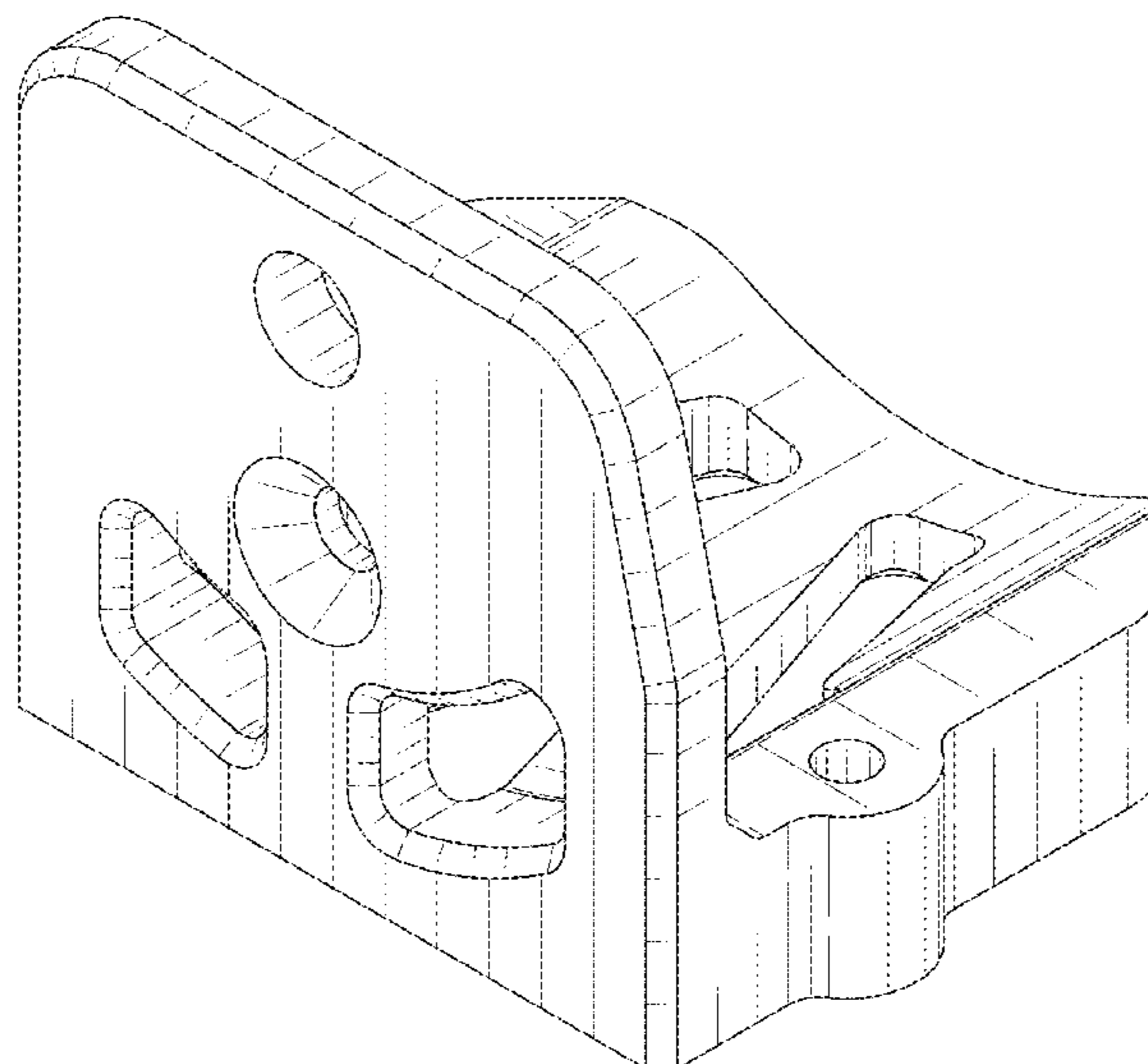
FIG. 1 is an upper, left, front perspective view of a model vehicle motor mount showing our new design; FIG. 2 is an upper, left, rear perspective view thereof; FIG. 3 is a lower, right, front perspective view thereof; FIG. 4 is a lower, right, rear perspective view thereof; FIG. 5 is a front elevation view thereof; FIG. 6 is a rear elevation view thereof; FIG. 7 is a right side elevation view thereof; FIG. 8 is a left side elevation view thereof; FIG. 9 is an upper plan view thereof; and, FIG. 10 is a lower plan view of the model vehicle motor mount.

1 Claim, 7 Drawing Sheets

(56) **References Cited**

U.S. PATENT DOCUMENTS

D219,362 S 12/1970 Snyder
3,829,117 A 8/1974 Park
D246,921 S * 1/1978 Moline D12/345
D250,465 S 12/1978 Morrison
D279,329 S * 6/1985 Dzak D12/415
D279,426 S * 7/1985 Dzak D12/415
D300,913 S 5/1989 Kamaya
D309,930 S 8/1990 Asaeda
D317,336 S 6/1991 Tsuchiya
5,131,701 A 7/1992 Stepniewski
D332,978 S 2/1993 Tsuchiya
D332,979 S 2/1993 Tsuchiya
D348,911 S 7/1994 Herrick et al.



(56)

References Cited

U.S. PATENT DOCUMENTS

D412,478 S 8/1999 Chen
 D475,001 S 5/2003 Roll
 D477,268 S 7/2003 Baynes
 D493,848 S 8/2004 Dunst
 6,779,755 B1* 8/2004 Thomsen F02B 75/34
 244/54
 6,793,227 B1 9/2004 Weisgerber et al.
 D503,658 S 4/2005 Lu
 D513,223 S 12/2005 Saito et al.
 D521,572 S 5/2006 Yuen
 D521,899 S 5/2006 Walden
 D523,775 S 6/2006 Walden
 D523,776 S 6/2006 Walden
 D524,880 S 7/2006 Yuen
 D534,593 S 1/2007 Yuen
 D538,861 S 3/2007 Takahashi
 D545,246 S 6/2007 Kroeker
 D545,721 S 7/2007 Hacker et al.
 D549,787 S 8/2007 Chen
 D550,311 S 9/2007 Chen
 7,281,600 B2 10/2007 Chernoff et al.
 D556,648 S 12/2007 Nelson et al.
 D564,410 S 3/2008 Lepage
 D567,886 S 4/2008 Lampert et al.
 D570,735 S 6/2008 Ogihara
 D577,083 S 9/2008 Nakayama
 D586,695 S 2/2009 Bums
 D586,696 S 2/2009 Burns
 D593,616 S 6/2009 Asai
 D597,151 S 7/2009 Ishikawa
 D639,207 S 6/2011 Danisi
 D642,090 S 7/2011 Karacabey et al.
 D642,091 S 7/2011 Karacabey et al.
 D642,960 S 8/2011 Berrier
 D647,002 S 10/2011 Mullen
 D648,250 S 11/2011 Nosworthy
 D651,133 S 12/2011 Liebl
 D651,947 S 1/2012 Hsu
 D655,236 S 3/2012 Sanschagrin
 D655,668 S 3/2012 Levorato et al.
 D681,542 S 5/2013 Oliver
 D690,372 S 9/2013 Fujiwara
 D691,523 S 10/2013 Waugh et al.
 D722,542 S 2/2015 Ikeda
 D727,802 S 4/2015 Sung et al.
 D758,281 S 6/2016 Galloway
 D761,713 S 7/2016 Hensley
 D766,157 S 9/2016 Reynolds et al.
 D778,784 S 2/2017 Hirooka
 D780,643 S 3/2017 Hare
 D781,207 S 3/2017 Johnson
 D783,502 S 4/2017 Hensley
 D783,503 S 4/2017 Hensley
 D783,726 S 4/2017 Williams et al.
 D802,685 S 11/2017 Barajas et al.
 D810,148 S 2/2018 Loew et al.
 D816,009 S 4/2018 Reynolds et al.
 D818,415 S 5/2018 Haws
 D820,072 S 6/2018 Choi
 D820,736 S 6/2018 Vaarsi
 D822,126 S 7/2018 Allmendinger et al.
 D826,831 S 8/2018 Eck et al.
 D829,831 S 10/2018 Redlin et al.
 D836,501 S 12/2018 Mori
 D844,070 S 3/2019 Christensen et al.
 D851,183 S 6/2019 Wood et al.
 D863,171 S 10/2019 Harriton et al.
 D867,475 S 11/2019 Ewing et al.
 D875,848 S 2/2020 Wood et al.
 D887,359 S* 6/2020 McCoy, Jr. D13/122
 D902,088 S 11/2020 Nakamura et al.
 11,058,275 B2 7/2021 Hopkins et al.
 D935,532 S 11/2021 Ewing
 D940,254 S 1/2022 Lin
 D951,299 S* 5/2022 Nyren D15/4

D952,051 S 5/2022 Xu
 D952,052 S 5/2022 Xu
 D956,886 S 7/2022 Xing et al.
 D964,482 S 9/2022 Ewing et al.
 D966,952 S 10/2022 Boaz et al.
 D967,288 S 10/2022 Li
 D975,204 S 1/2023 Xu
 D992,049 S 7/2023 Yang et al.
 D992,050 S* 7/2023 Yang D21/562
 D992,051 S* 7/2023 Yang D21/562
 D992,052 S* 7/2023 Yang D21/562
 D992,053 S* 7/2023 Yang D21/562
 D992,054 S* 7/2023 Yang D21/562
 D996,529 S* 8/2023 Allmendinger D21/562
 2013/0117960 A1 5/2013 Lee
 2014/0227941 A1 8/2014 Suzuki
 2018/0070789 A1 3/2018 LaBarbera et al.
 2021/0283517 A1 9/2021 Rydwell
 2023/0219010 A1 7/2023 Christensen et al.

OTHER PUBLICATIONS

Traxxas Sledge Aluminum Chassis (Blue), as shown in www.hobbytown.com, Jun. 30, 2022 (Year: 2022).
 Traxxas Sledge 6S Green Brushless 1:8 Auto RC Truggy 4WD (4WD) Ready to Run (RTR) 2.4GHz, as shown in www.amazon.com, Aug. 18, 2022, ASIN B0B59PV1C9 (Year: 2022).
 Axial SCX10 II 2000 Jeep Cherokee 1/10th Scale Electric 4WD—RTR; <http://www.axialracing.com/products/ax90047/>; Aug. 2016.
 Axial SCX10 Deadbolt 1/10th Scale Electric 4WD—RTR; <http://www.axialracing.com/products/ax90044/>; Aug. 2016.
 Tibus Off-Road Engineering; Land Rover Defender; <http://www.tibus-offroad.com/en/products/bolt-on-portals/land-rover/>; Aug. 2016.
 HPI Racing; HPI Venture FJ Cruiser; <http://www.hpiracing.com/en/article/view/2016012702/>; Aug. 2016.
 Traxxas; Slash 4x4 Overview; Oct. 2009.
 Tamiya 58647 1:10 RC M-07 Con. WB225/239 Remote Control Car Vehicle Model, Sep. 15, 2017, Amazon.co.uk, Sep. 22, 2021, URL: <https://www.amazon.co.uk/Tamiya-M-07-Concept-Chassis-58647/dp/B06ZY297CC/> (Year: 2017).
 Tamiya 57986" 1:10 RC TT-02 Chassis First Try On-Road Vehicle, Aug. 19, 2016, Amazon.co.uk, Sep. 22, 2021, URL: <https://www.amazon.co.uk/Tamiya-57986-10-RC-Chassis-First/dp/B01JLF7GB0/> (Year: 2016).
 Newrice Remote Control Car Building Blocks Kit, 1:12 Scale MOC Off-Road Vehicle, May 25, 2021, Amazon.co.uk, Sep. 22, 2021, URL: <https://www.amazon.co.uk/NEWRICE-Remote-Control-Building-Blocks/dp/B0912YKHM4/> (Year: 2021).
 New Heavy-Duty Chassis Brace, available on traxxas.com, published Aug. 26, 2020, [site visited Jan. 24, 2022], URL: <https://traxxas.com/news/new-chassis-brace/> (Year: 2020).
 Traxxas Heavy-Duty Chassis Brace, available on rccaraction.com, updated Aug. 27, 2020, [site visited Jan. 24, 2022], URL: <https://www.rccaraction.com/traxxas-heavy-duty-chassis-brace-for-the-slash-4x4-rustler-4x4/> (Year: 2020).
 HD Chassis Brace, available on web.archive.org, captured Sep. 27, 2020, [site visited Jan. 24, 2022], URL: <https://web.archive.org/web/20200927005210/https://traxxas.com/products/parts/6730X?t=overview> (Year: 2020).
 RC Update—Traxxas Heavy-Duty Chassis Brace, available on Youtube.com, date posted Sep. 15, 2020, [site visited Jan. 24, 2022], URL: <https://www.youtube.com/watch?v=jDGkrXluKyY> (Year: 2020).
 Traxxas Rustler/Slash 4x4 LCG Chassis, available on hobbytown.com, product added to catalog Feb. 17, 2021, [site visited Jan. 24, 2022], URL: <https://www.hobbytown.com/traxxas-rustler-slash-4x4-lcg-chassis-brace-kit-green-tra6730g/o1254464> (Year: 2021).
 Traxxas 6730G—Chassis Brace Kit, available on amazon.com, oldest customer review Apr. 12, 2021, [site visited Jan. 24, 2022], URL: <https://www.amazon.com/Traxxas-6730G-Chassis-Brace-Aluminum/dp/B08P6V5M9B/> (Year: 2021).
 Aluminum Center Brace Bar & Mount, available on amazon.com, [site visited Jan. 24, 2022], URL: <https://www.amazon.com/Aluminum-Center-Brace-Traxxas-90076-4/dp/B08P4TJ73J/> (Year: 2022).

(56)

References Cited

OTHER PUBLICATIONS

Cusco Front Power Brace, available on tf-works.com, [site visited Jan. 24, 2022], URL: <https://www.tf-works.com/cusco-front-power-brace-for-2013-scion-frs-subaru-brz/> (Year: 2022).

Traxxas Slash 4x4 (LCG) Chassis Brace, available on ebay.com, last updated Mar. 3, 2021, [site visited Jan. 24, 2022], URL: <https://www.ebay.com/itm/392047539576> (Year: 2021).

Cusco Body Reinforcement Parts for Toyota GR Yaris, available on easycars.jp, [site visited Jan. 24, 2022], URL: <https://easycars.jp/product/cusco-bodye-for-toyota-gr-yaris/> (Year: 2022).

TBR Aluminum T2T Tower to Tower, available on tboneracing.net, oldest customer review Oct. 2, 2019, [site visited Jan. 24, 2022], URL: <https://tboneracing.net/products/10109-fbr-aluminum-t2t-tower-to-tower-brace-arrma-kraton-talion-6s-blx> (Year: 2019).

Chassis Brace Kit Blue, available on amazon.com, oldest customer review Dec. 5, 2020, [site visited Jan. 24, 2022], URL: <https://www.amazon.com/Traxxas-Chassis-Brace-KIT-Blue/dp/B08LCM122P/> (Year: 2020).

Wendland, Louis C., U.S. Pat. No. D. 58,959 S, Patented Sep. 6, 1921.

Trego, Frank H., U.S. Pat. No. D. 42,406 S, Patented Apr. 9, 1912.

* cited by examiner

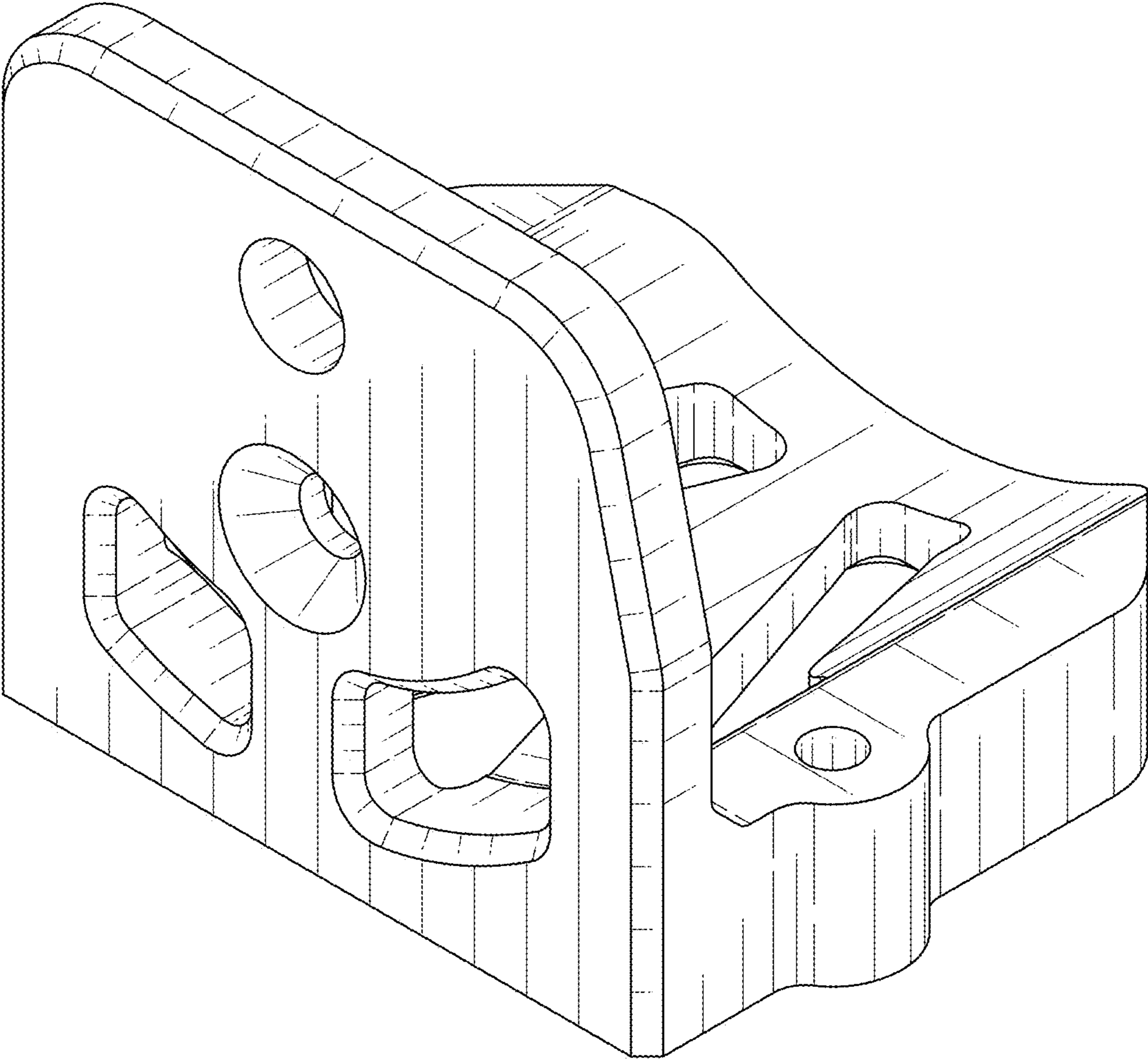


FIG. 1

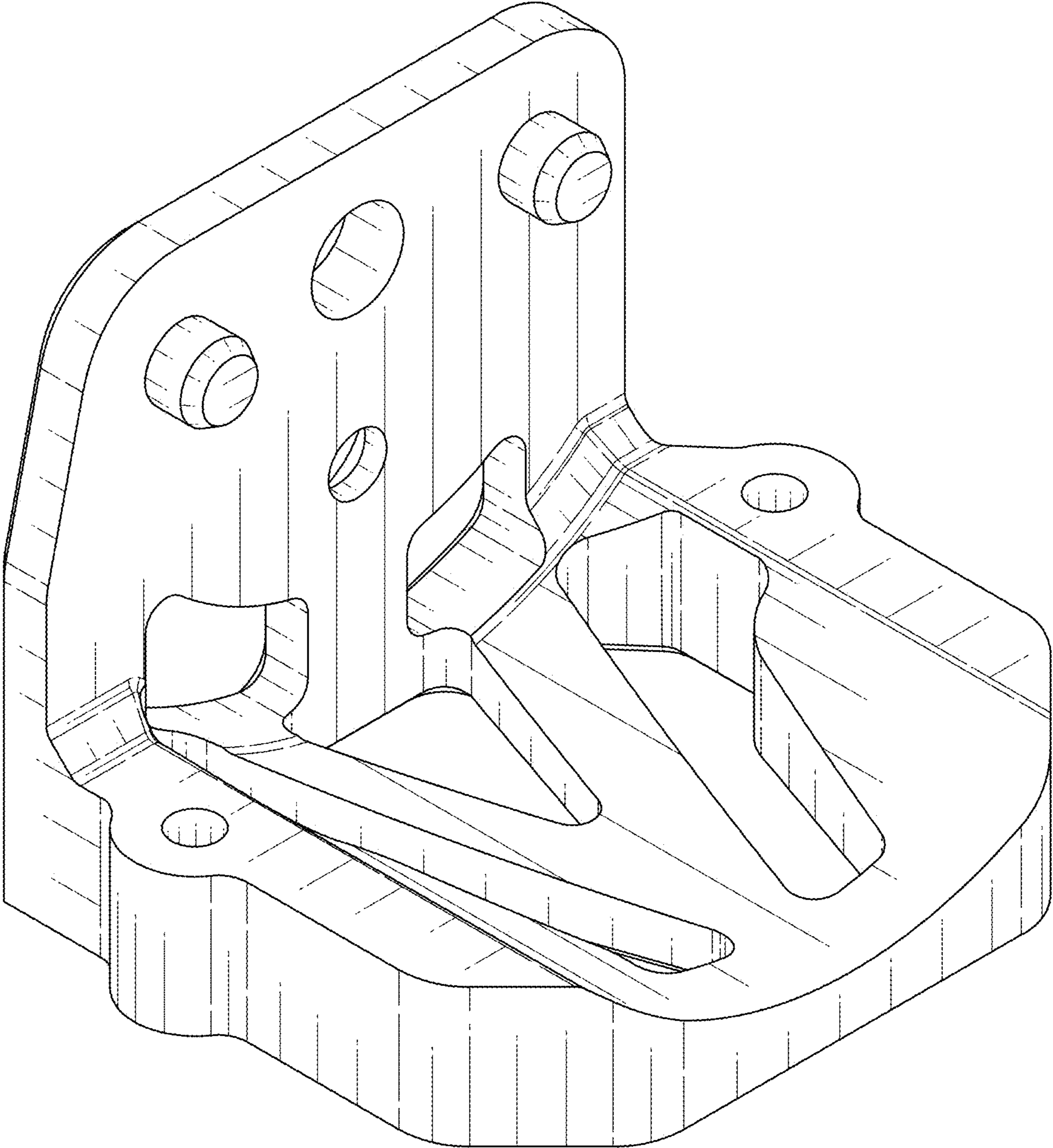


FIG. 2

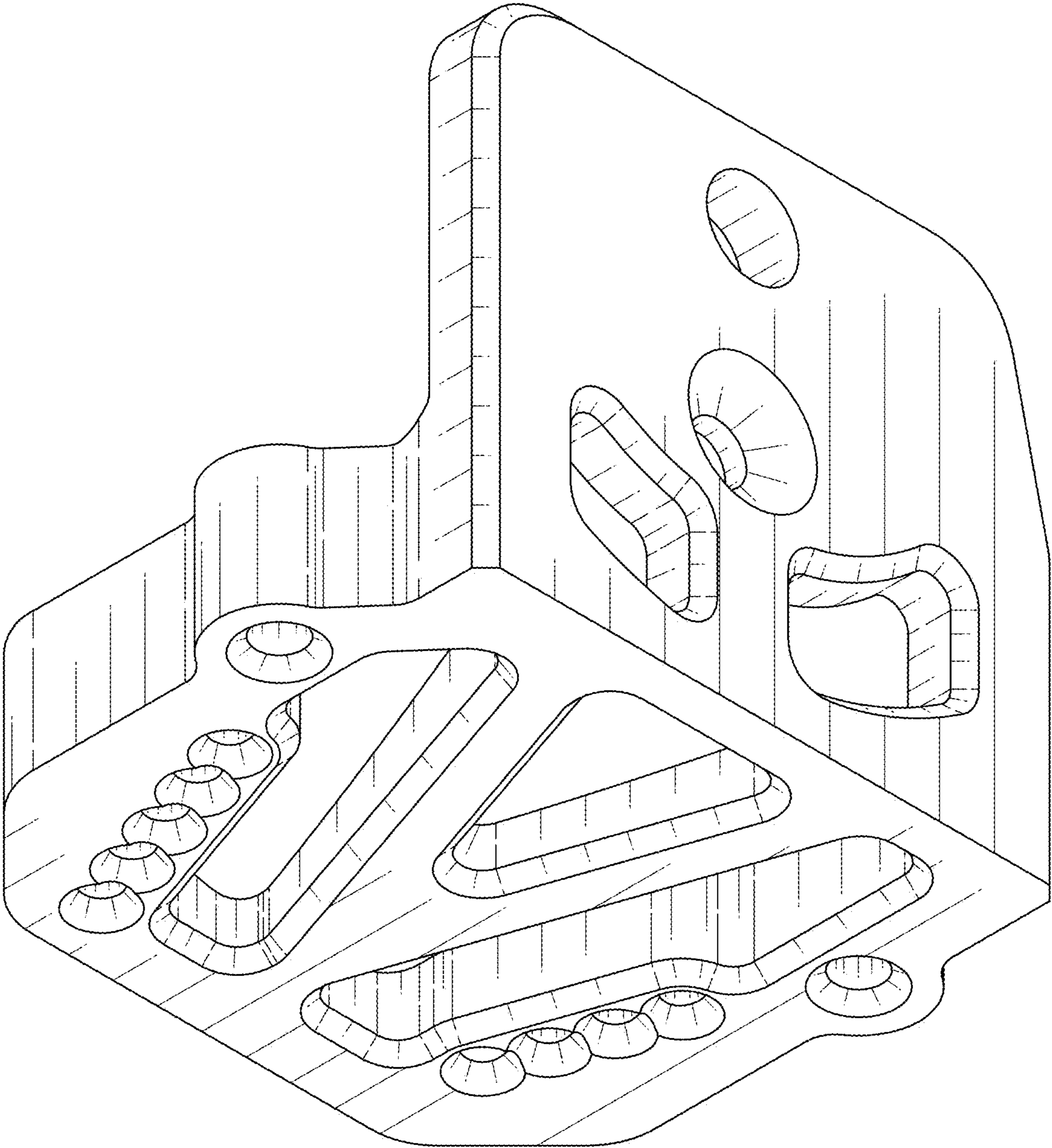


FIG. 3

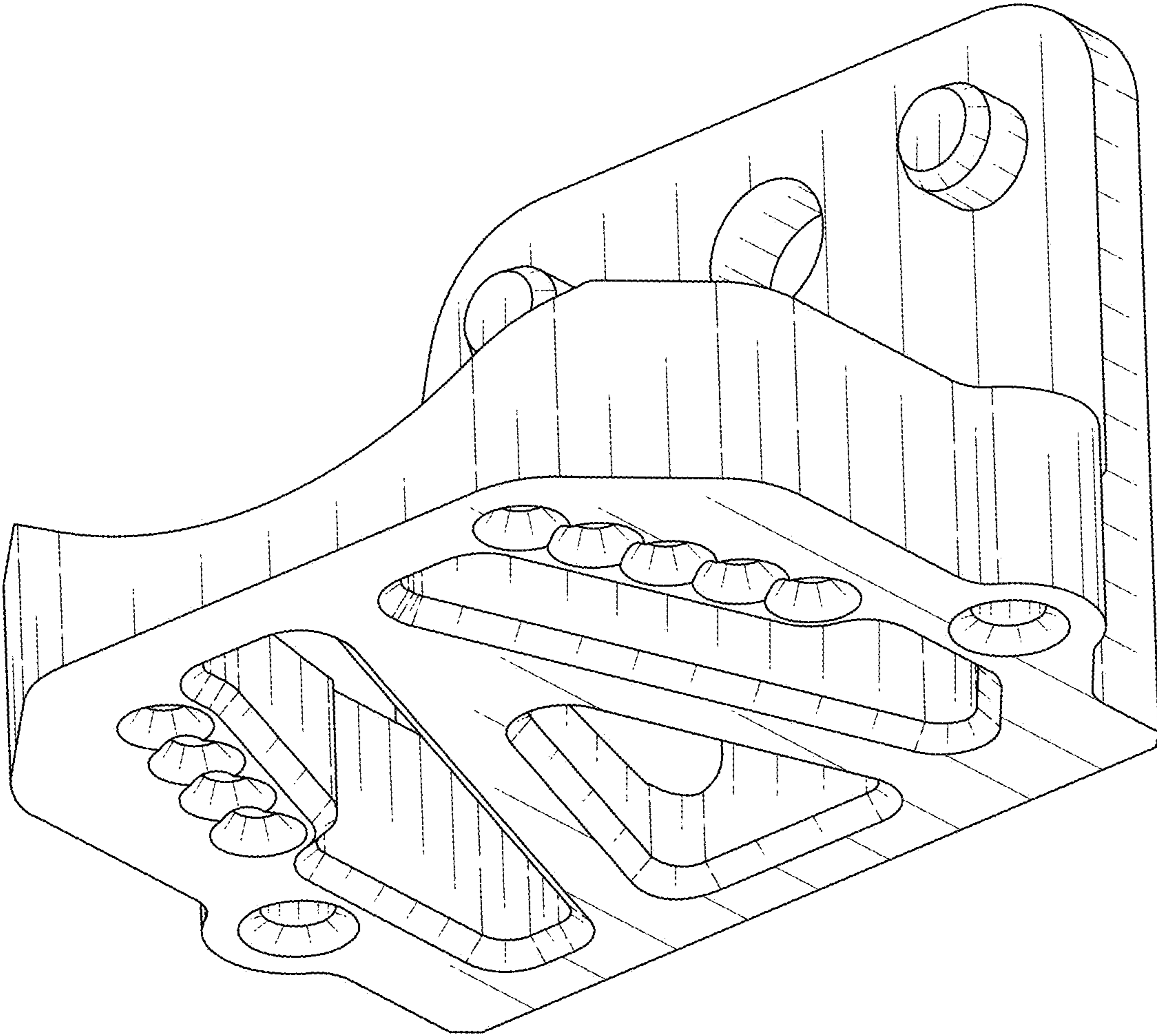


FIG. 4

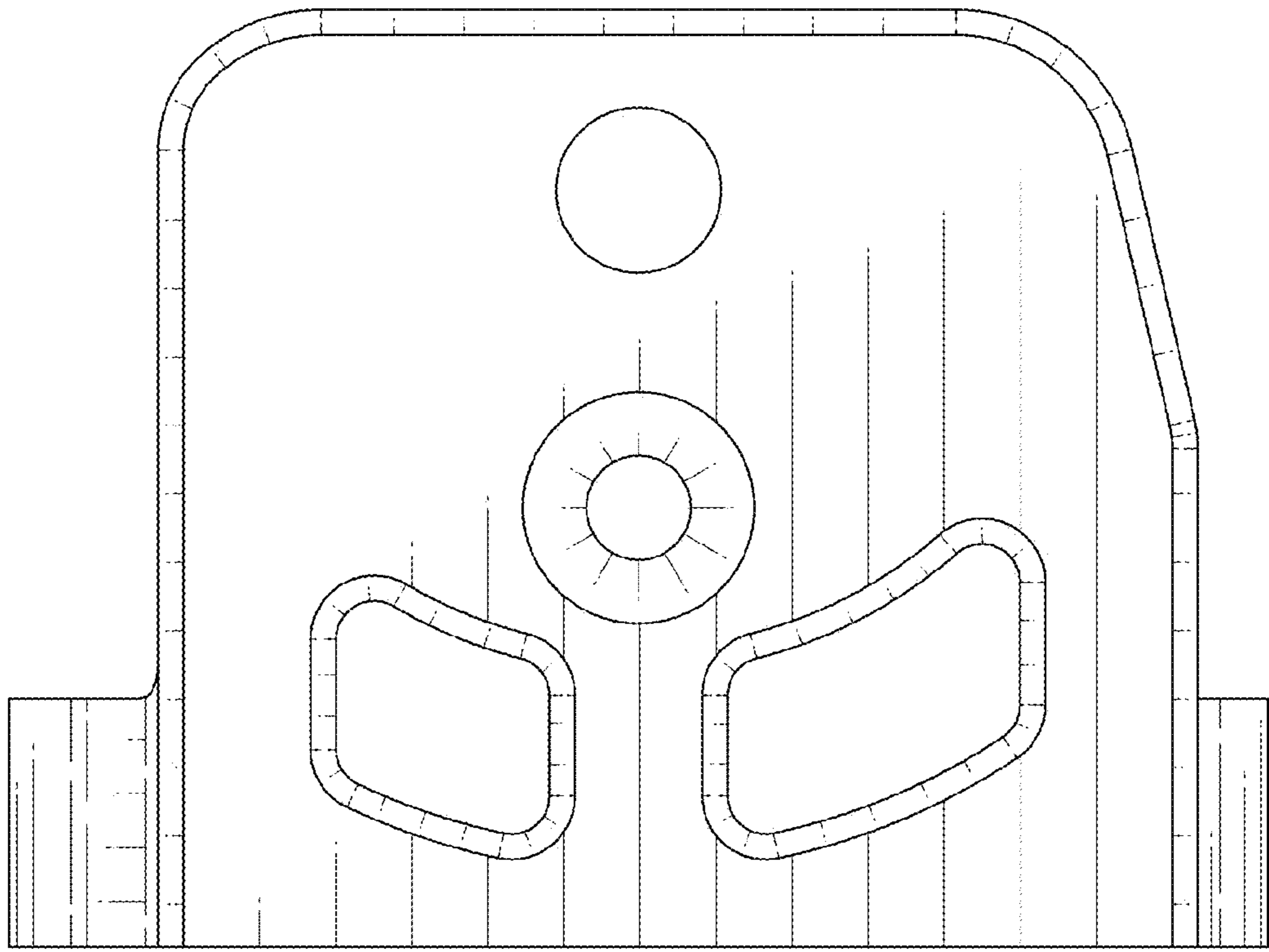


FIG. 5

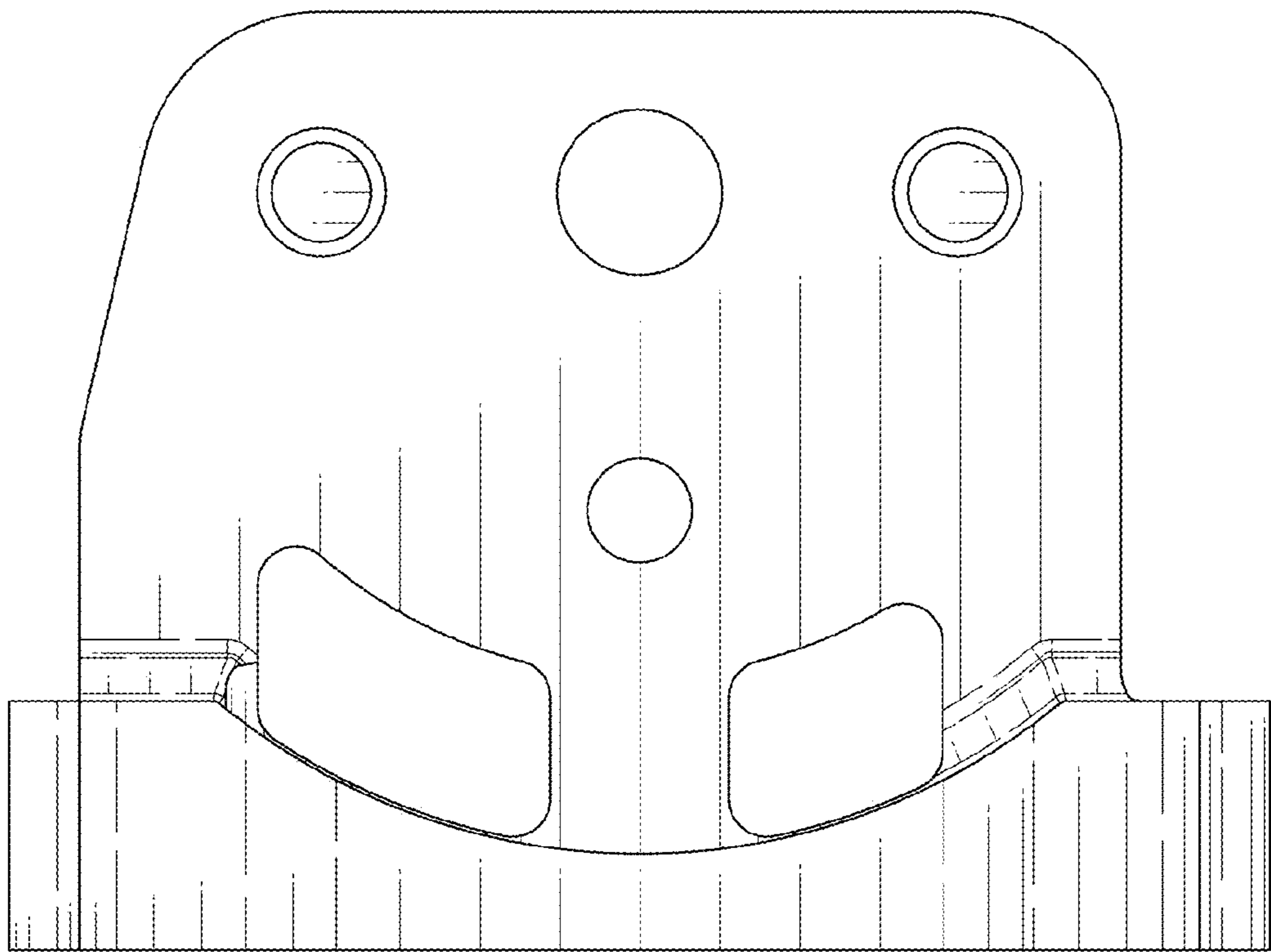


FIG. 6

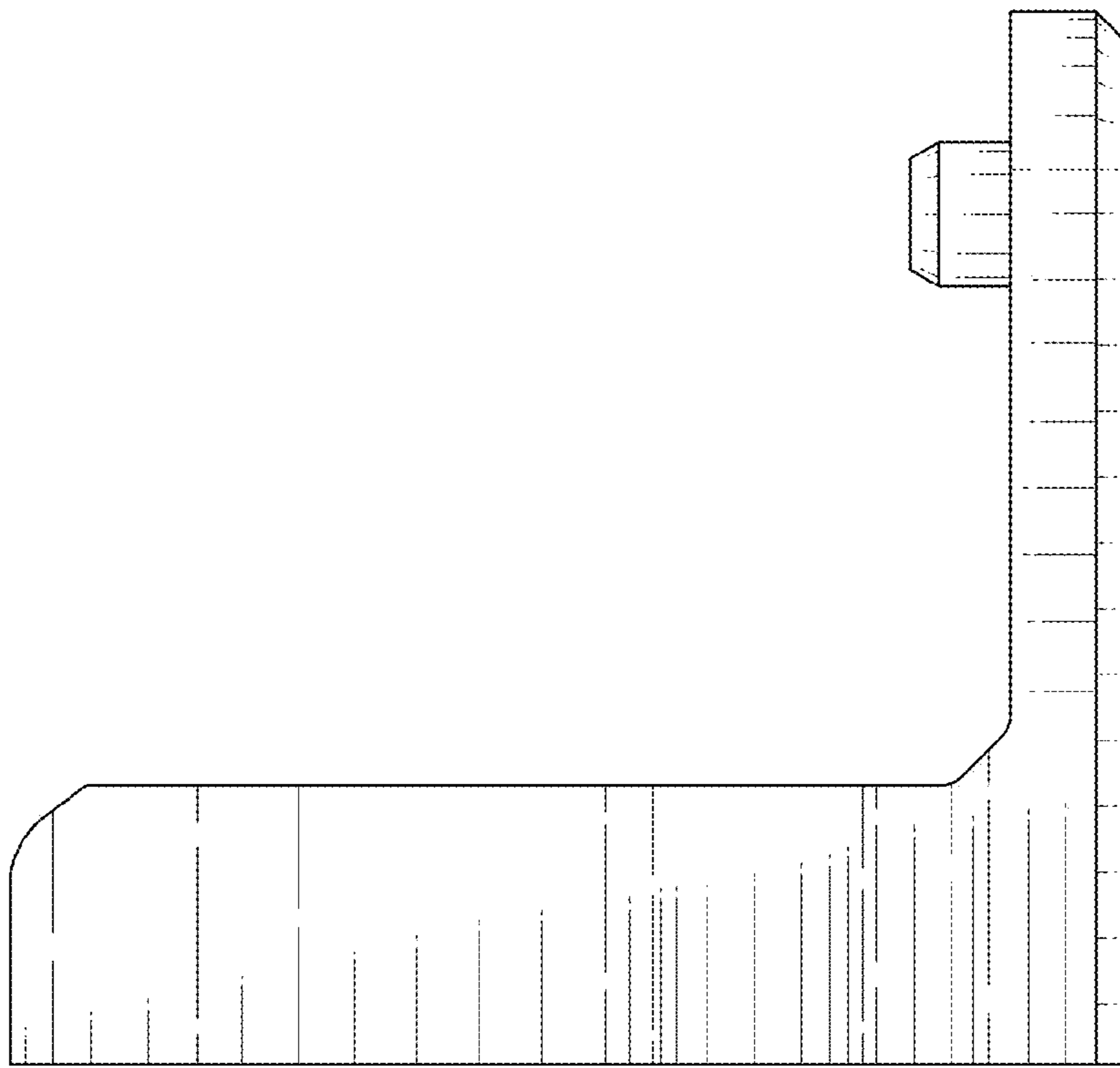


FIG. 7

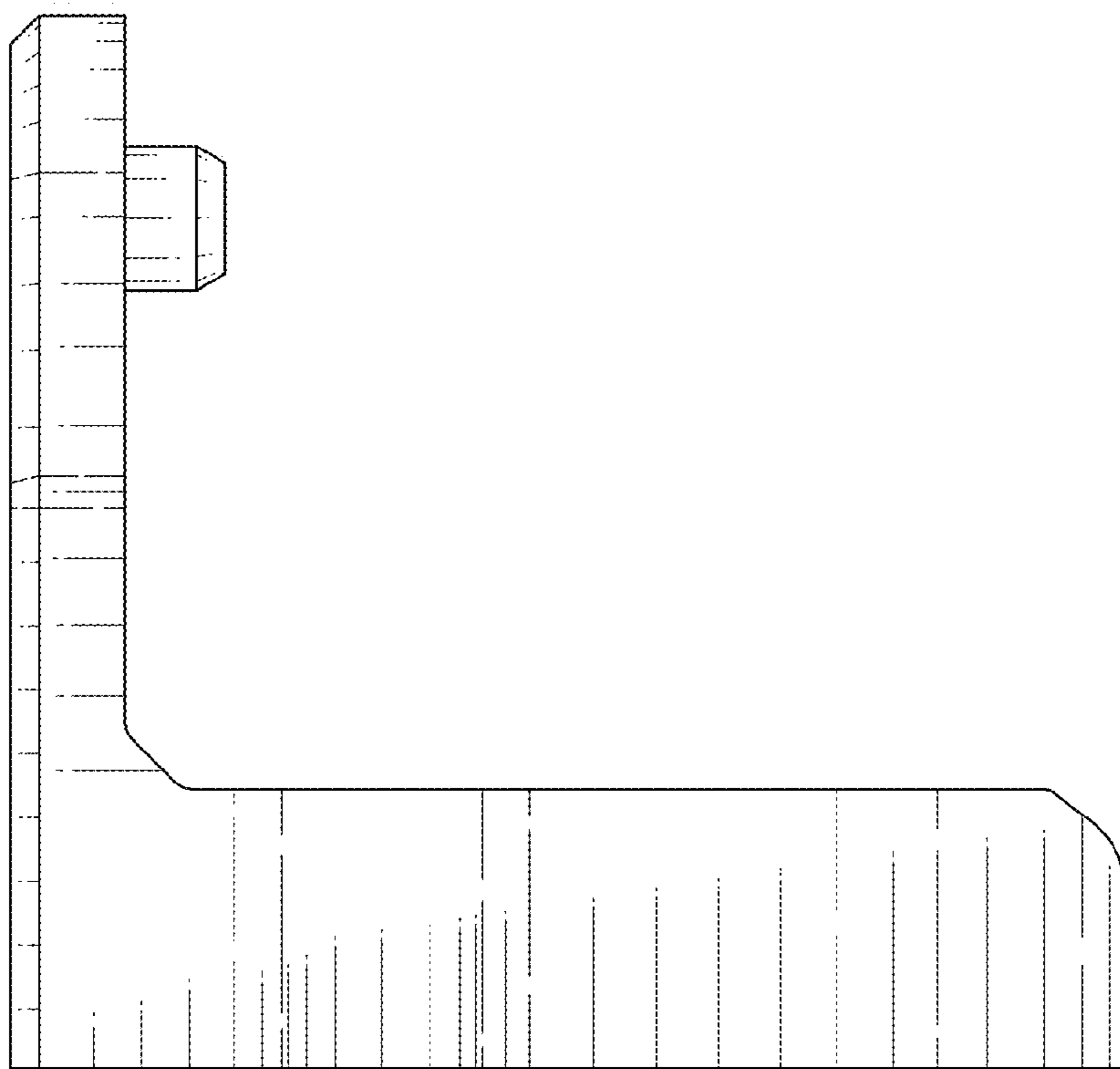


FIG. 8

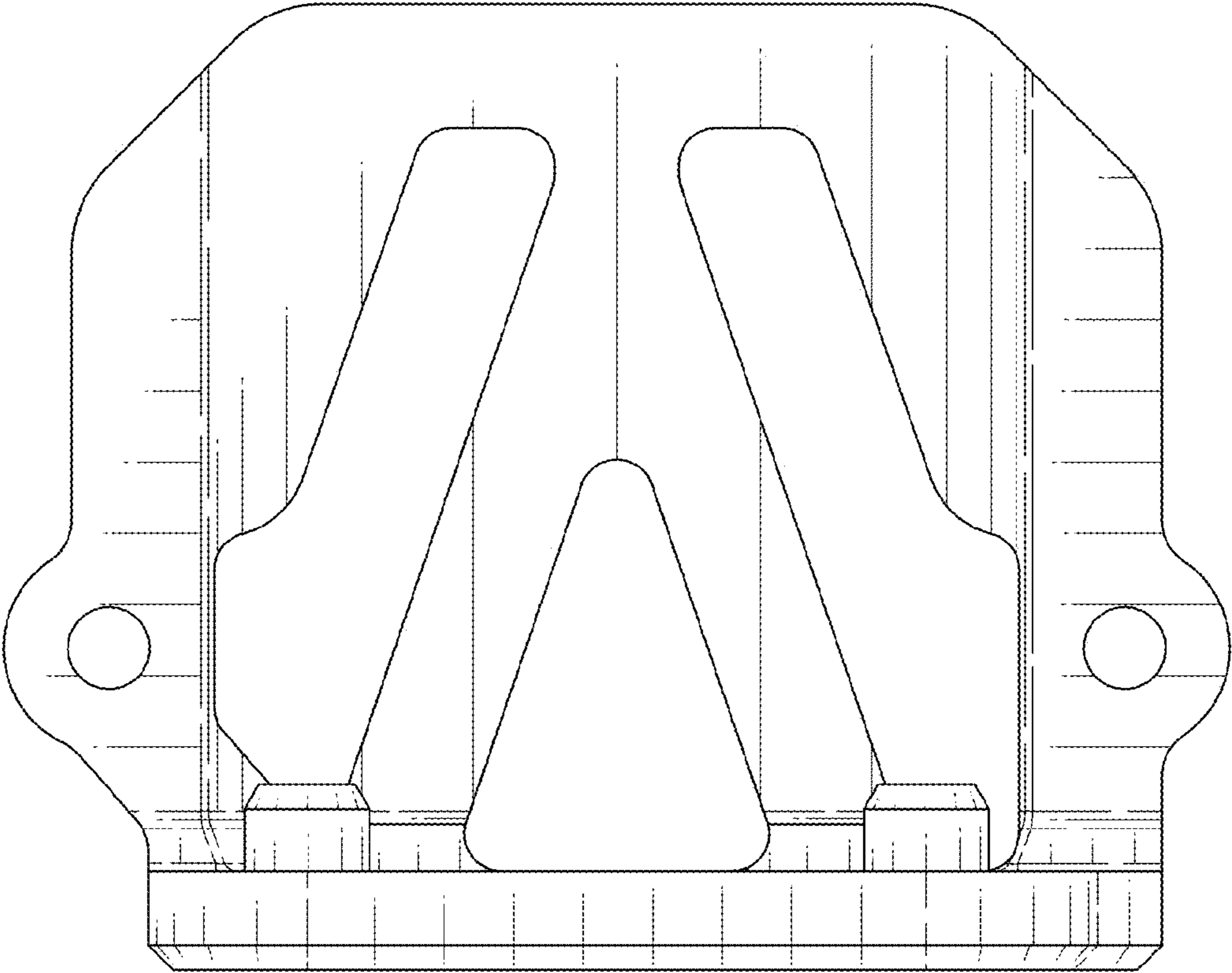


FIG. 9

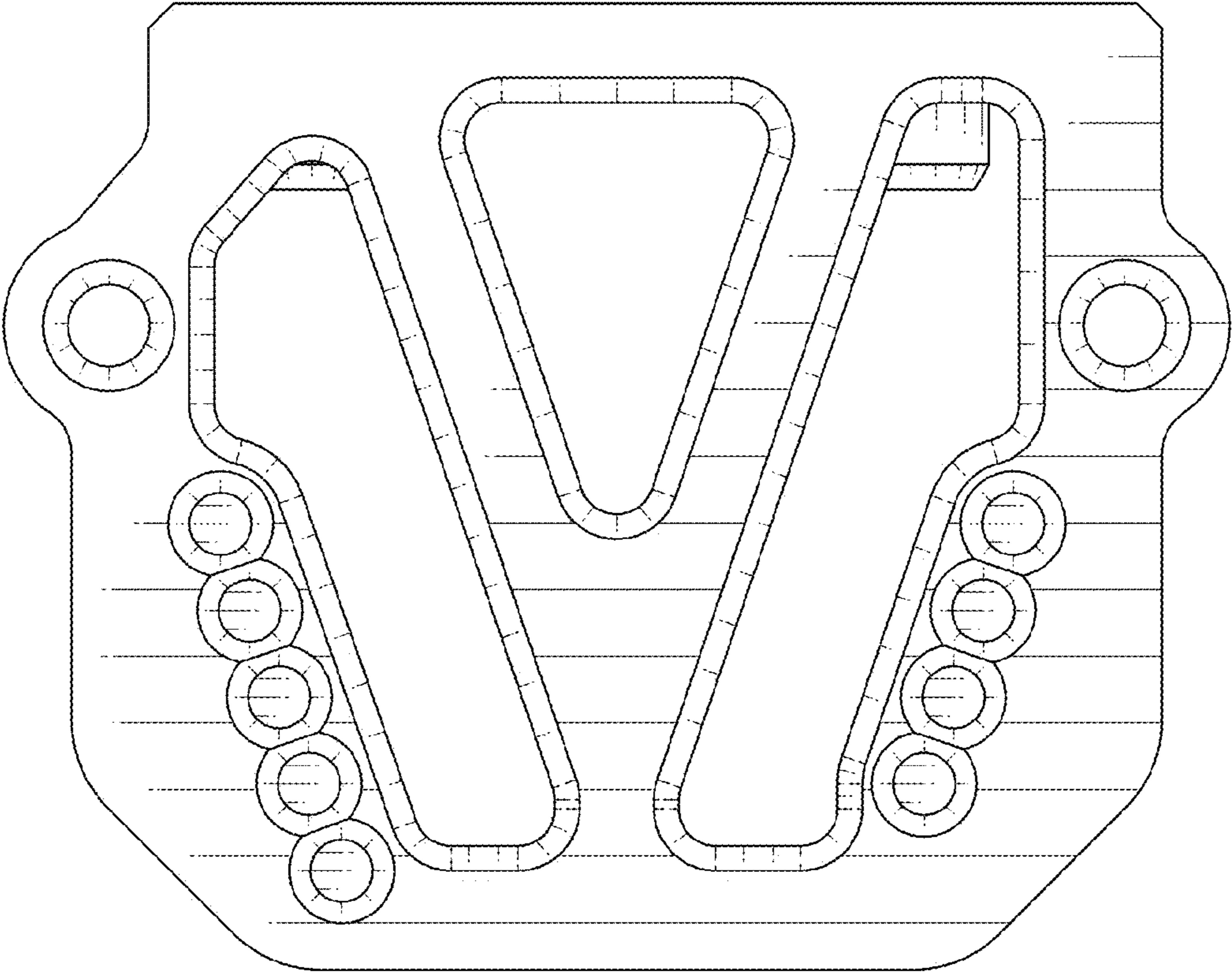


FIG. 10