



US0D1031731S

(12) **United States Design Patent**  
**Chen**

(10) **Patent No.:** **US D1,031,731 S**

(45) **Date of Patent:** **\*\* Jun. 18, 2024**

(54) **COMPUTER MOUSE**

(56) **References Cited**

(71) Applicant: **SHENZHEN LOYAL ELECTRONICS CO., LTD.**, Shenzhen (CN)

(72) Inventor: **Huajuan Chen**, Guangdong (CN)

(\*\*) Term: **15 Years**

(21) Appl. No.: **35/517,996**

(22) Filed: **Jul. 14, 2023**

(80) **Hague Agreement Data**

Int. Filing Date: **Jul. 14, 2023**

Int. Reg. No.: **DM/230486**

Int. Reg. Date: **Jul. 14, 2023**

Int. Reg. Pub. Date: **Aug. 4, 2023**

(30) **Foreign Application Priority Data**

Jan. 16, 2023 (CN) ..... 202330029245.7

(51) **LOC (14) Cl.** ..... **14-02**

(52) **U.S. Cl.**  
USPC ..... **D14/402**

(58) **Field of Classification Search**

USPC ..... D14/402-411, 356, 388, 389, 383-385, D14/417, 426; 345/156-167; 463/36-38; 358/471, 473; 273/148 B

CPC ..... G06F 3/03543; G06F 2203/0333; G06F 3/039; G06F 3/038; G06F 2203/0384

See application file for complete search history.

U.S. PATENT DOCUMENTS

D820,843 S *	6/2018	Lu	.....	D14/402
D827,647 S *	9/2018	Chong	.....	D14/402
D830,361 S *	10/2018	Jin	.....	D14/402
D909,376 S *	2/2021	Chan	.....	D14/402
D929,403 S *	8/2021	Liu	.....	D14/402
D940,141 S *	1/2022	Twohig	.....	D14/402
D954,054 S *	6/2022	Huang	.....	D14/402
D962,238 S *	8/2022	Huang	.....	D14/402
D993,249 S *	7/2023	Dubreucq	.....	D14/402
D995,523 S *	8/2023	Cheung	.....	D14/402
D1,006,018 S *	11/2023	Ehrenberg	.....	D14/402
D1,006,019 S *	11/2023	Ehrenberg	.....	D14/402

\* cited by examiner

*Primary Examiner* — Austin Murphy

(57) **CLAIM**

The ornamental design for a computer mouse, as shown and described.

**DESCRIPTION**

1. Computer mouse

1.1 : Perspective

1.2 : Front

1.3 : Back

1.4 : Left

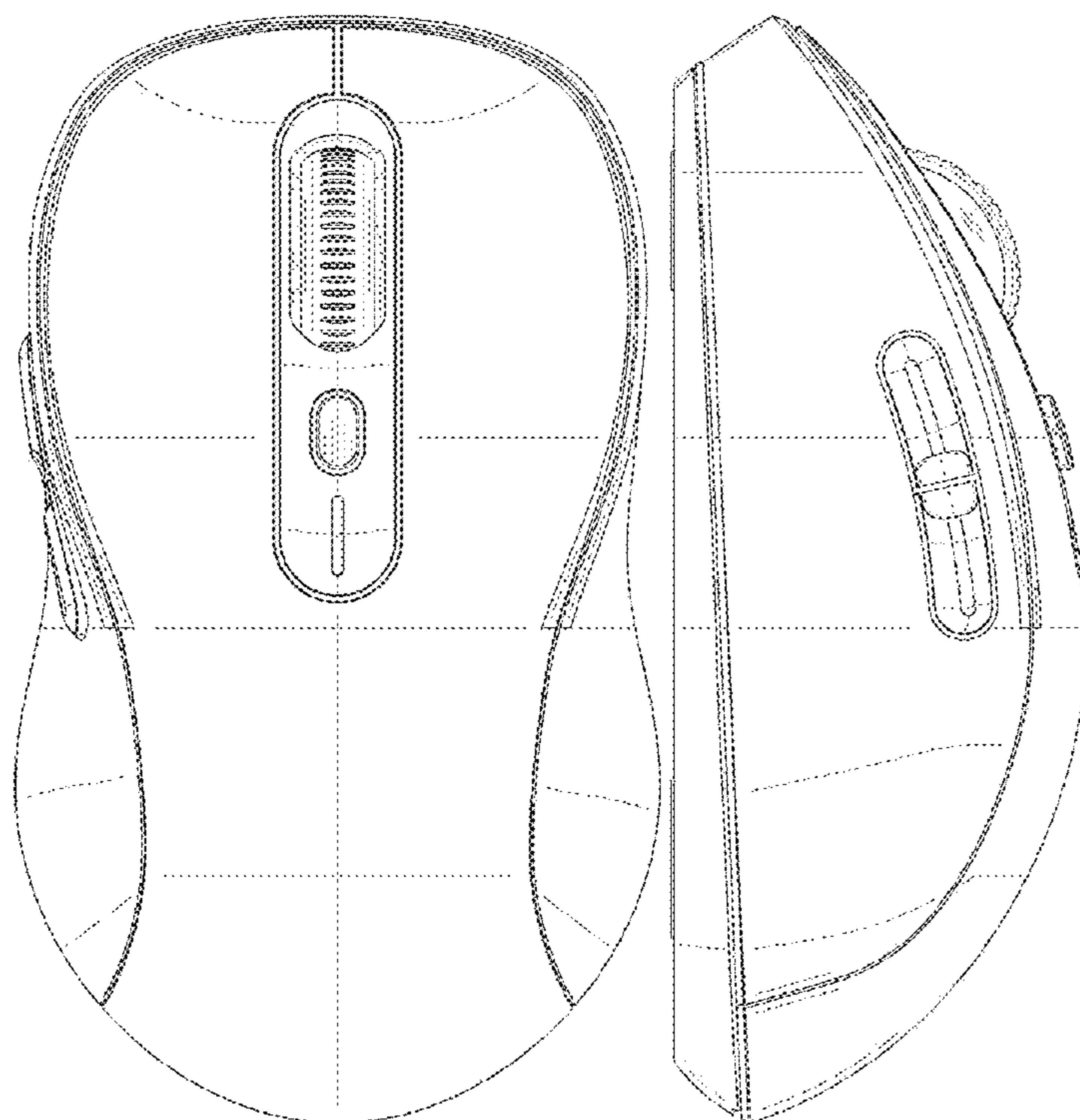
1.5 : Right

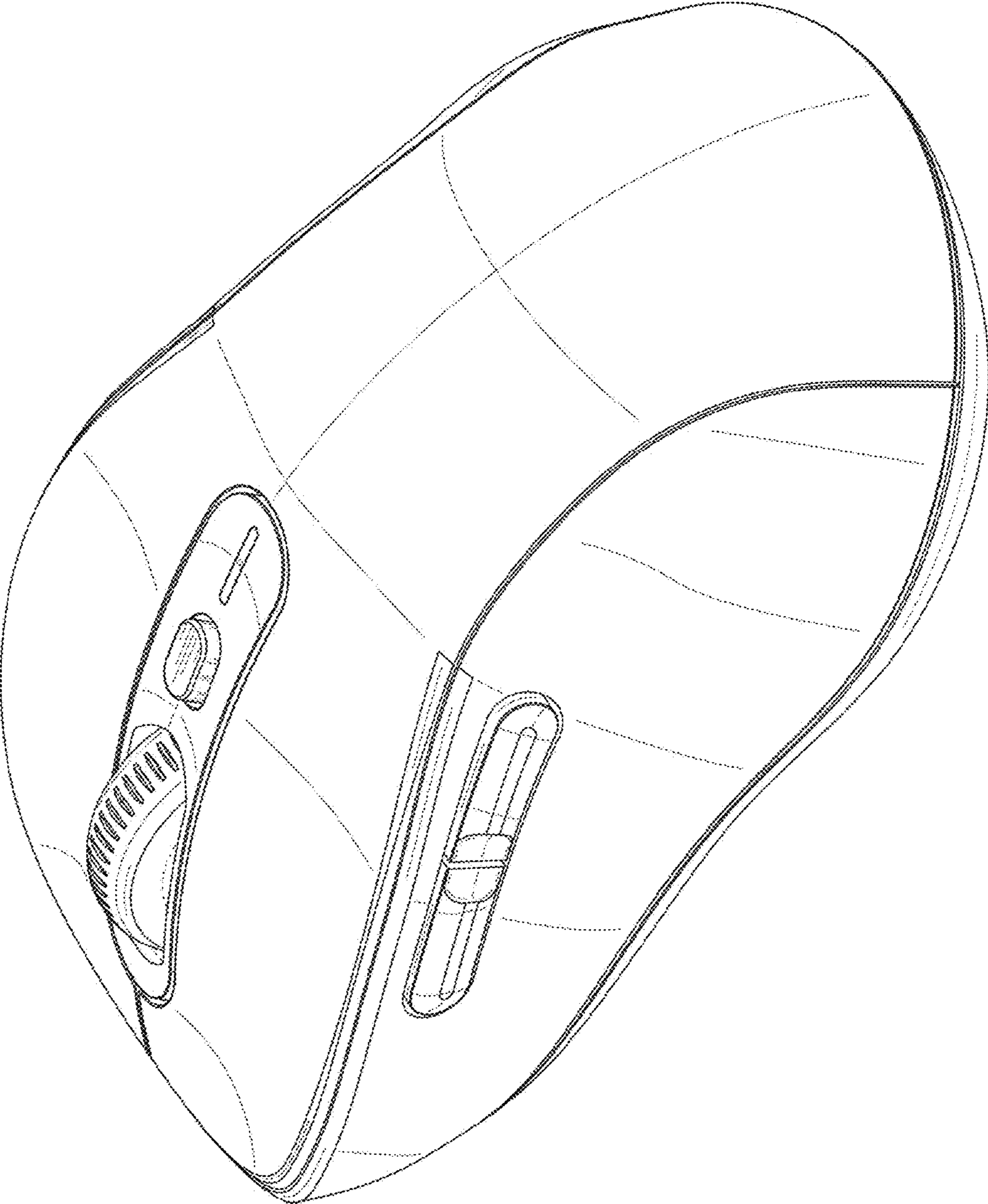
1.6 : Top

1.7 : Bottom

The broken lines shown in the drawings depict portions of the mouse that form no part of the claimed design.

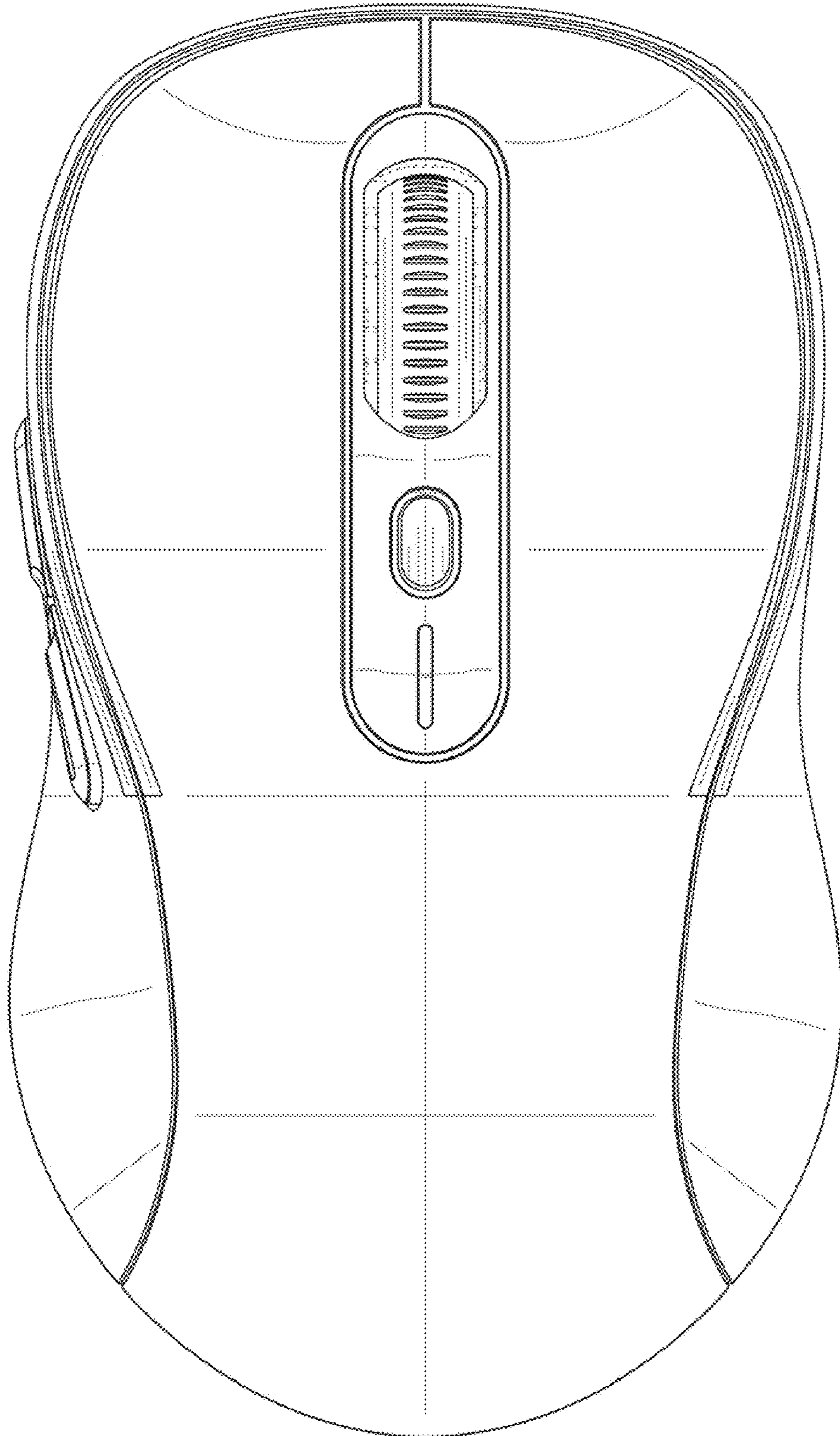
**1 Claim, 7 Drawing Sheets**



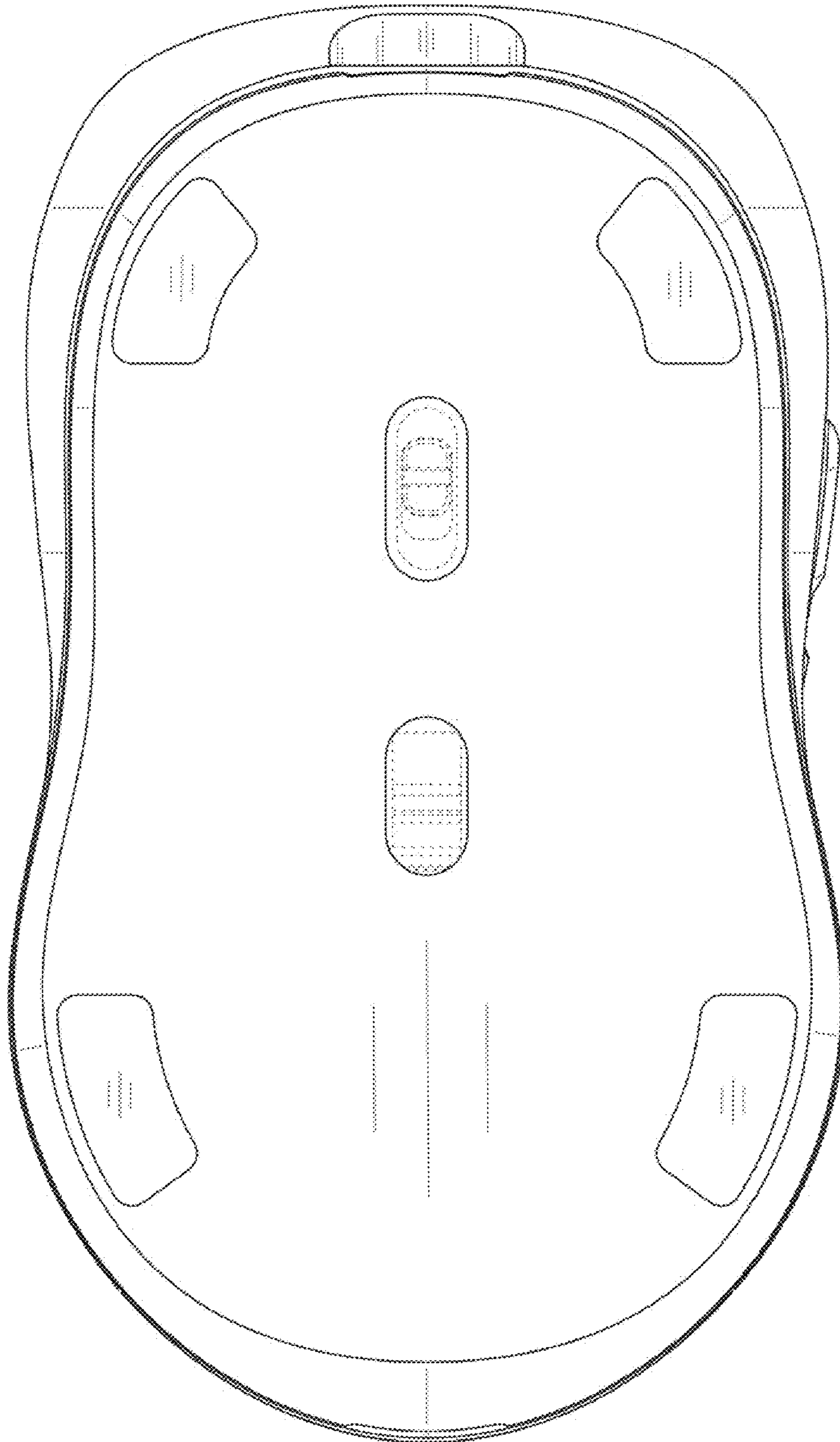


1.1

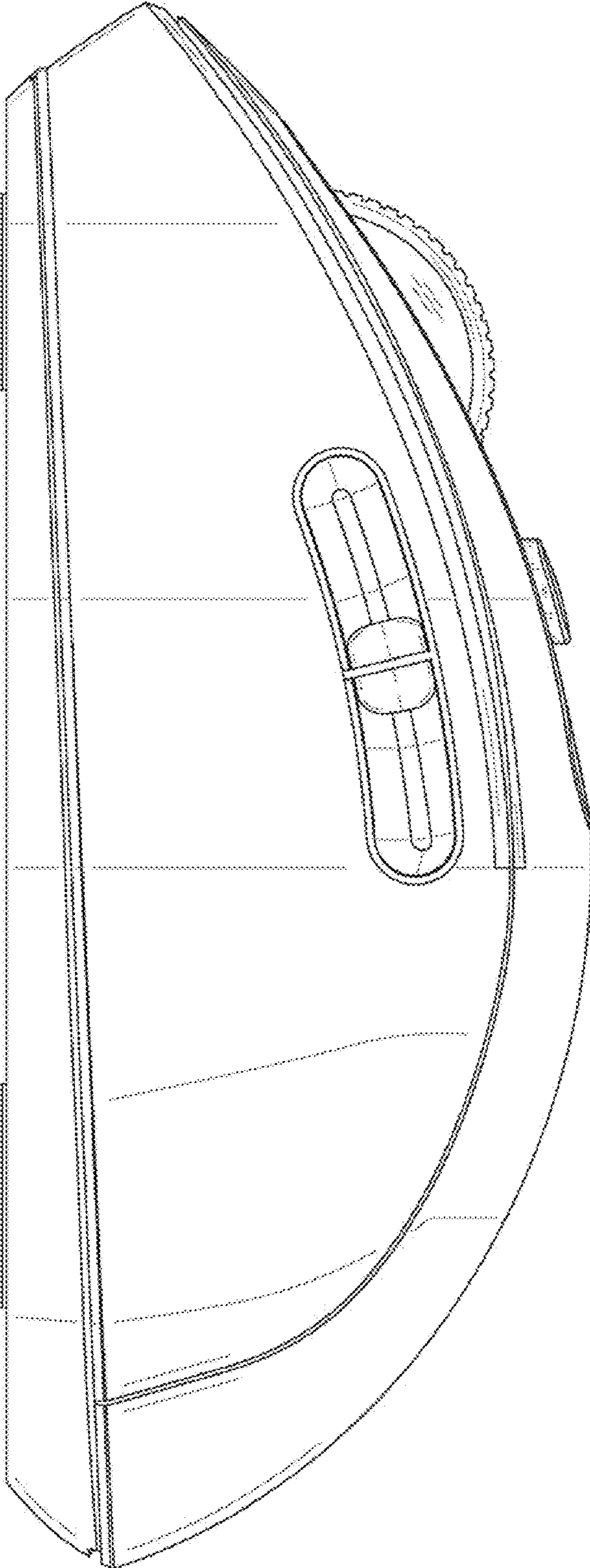
1.2



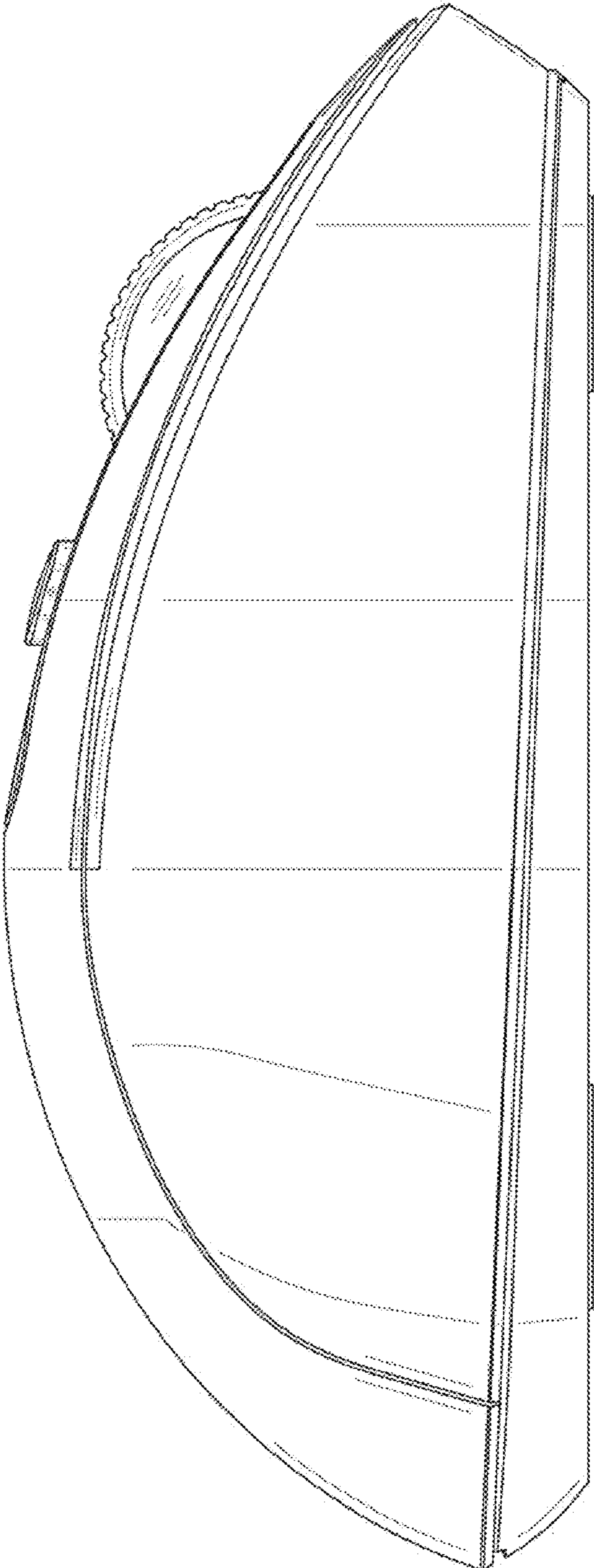
**1.3**

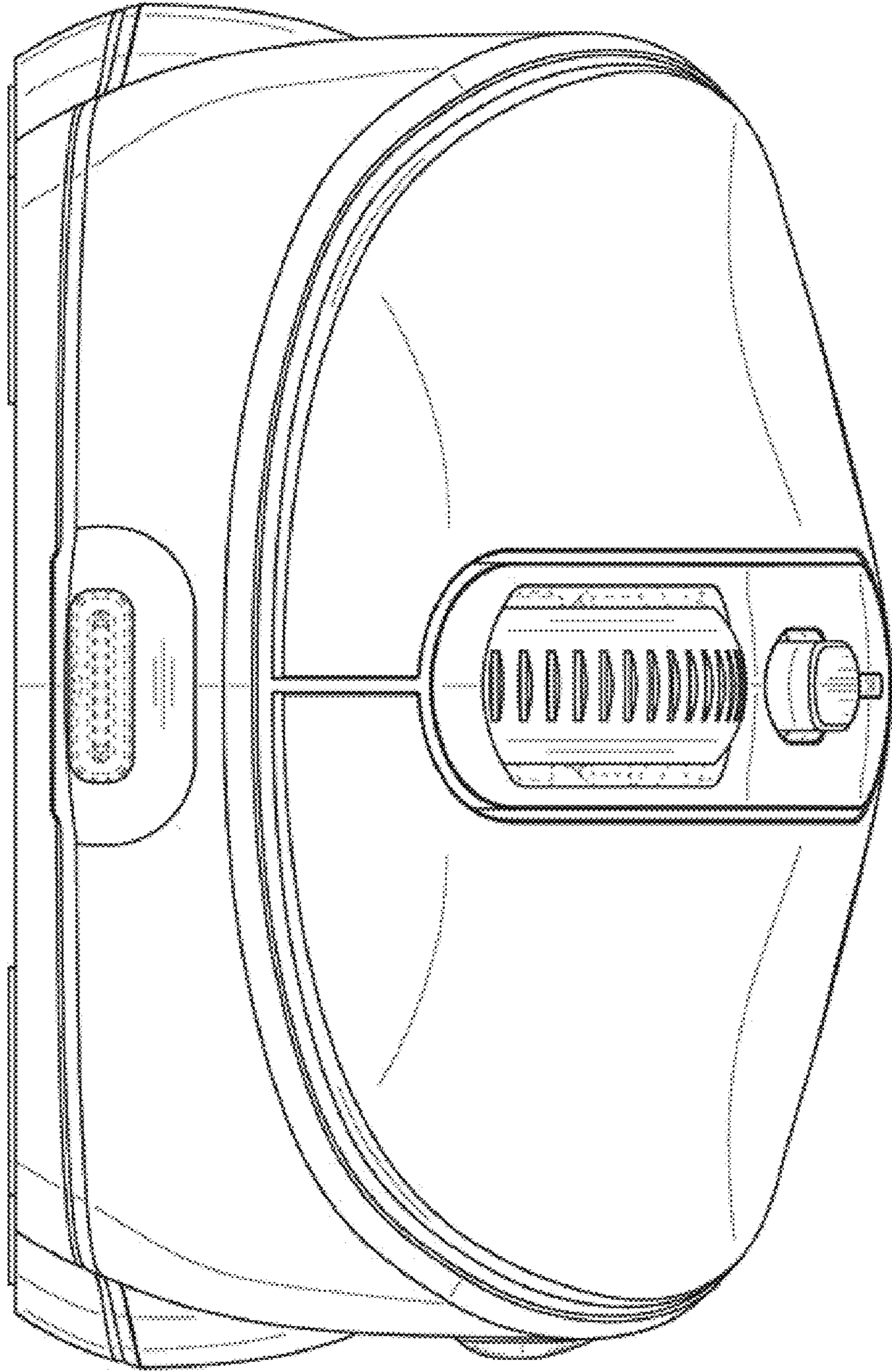


1.4

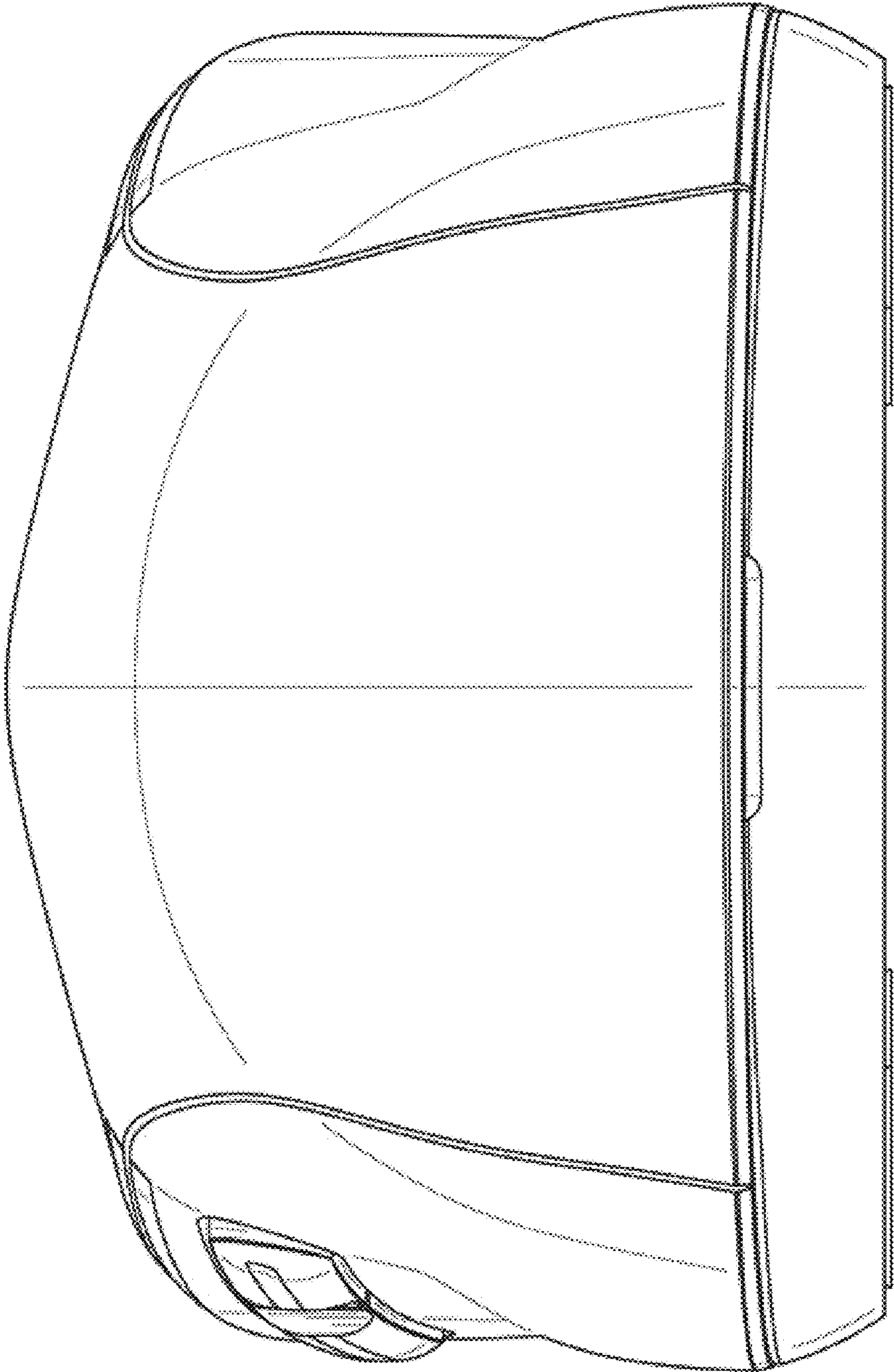


1.5





1.6



**1.7**